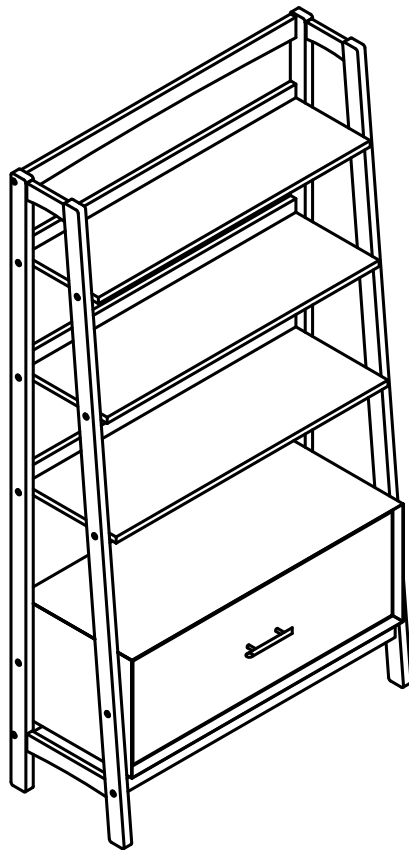


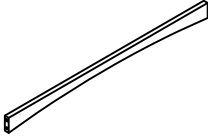
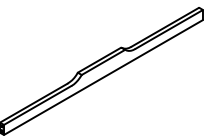
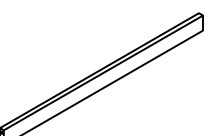
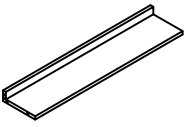
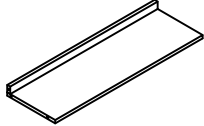
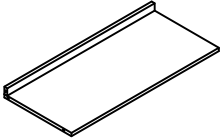
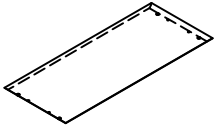
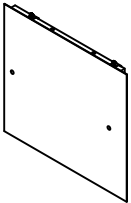
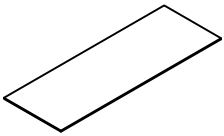
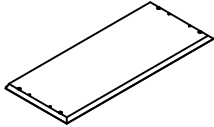
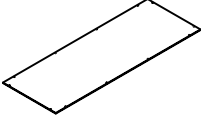
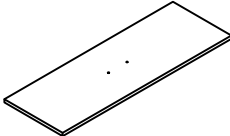
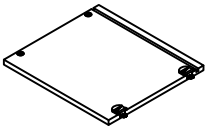
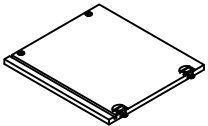
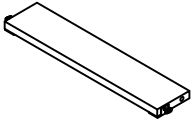
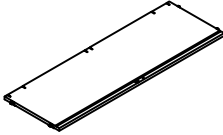
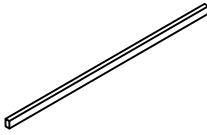





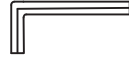


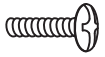



Large Etagere



PART LIST

<p>A</p> 	<p>B</p> 	<p>C</p> 	<p>D</p> 	<p>E</p> 
<p>Left Side Frame 1 PC</p>	<p>Right Side Frame 1 PC</p>	<p>Back Top Rail 1 PC</p>	<p>Front Bottom Rail 1 PC</p>	<p>Back Bottom Rail 1 PC</p>
<p>F</p> 	<p>G</p> 	<p>H</p> 	<p>I</p> 	<p>J</p> 
<p>Top Shelf 1 PC</p>	<p>Middle Shelf 1 PC</p>	<p>Bottom Shelf 1 PC</p>	<p>Top Panel of Cabinet 1 PC</p>	<p>Side Panel of Cabinet 2 PCS</p>
<p>K</p> 	<p>L</p> 	<p>M</p> 	<p>N</p> 	<p>O</p> 
<p>Bottom Panel of Drawer 1 PC</p>	<p>Bottom Panel of Cabinet 1 PC</p>	<p>Back Panel of Cabinet 1 PC</p>	<p>Front of Drawer 1 PC</p>	<p>Left Side Panel of Drawer 1 PC</p>
<p>P</p> 	<p>Q</p> 	<p>R</p> 	<p>S</p> 	
<p>Right Side Panel of Drawer 1 PC</p>	<p>Bottom Rail of Drawer 1 PC</p>	<p>Back Panel of Drawer 1 PC</p>	<p>Support Rail 1 PC</p>	

HARDWARE LIST

 Ø6x30	 Ø8x40	 Ø 1/4"x38	 M4	 Ø7x2.5x12mm
Small Wood Dowel 19 PCS (Extra 1)	Large Wood Dowel 13 PCS (Extra 1)	Allen Bolt 23 PCS(Extra 1)	Allen Wrench 1 PC	Short Screw 13 PCS (Extra 1)
	 M4x18	 297*12*3mm		 D8*Ø4*25
Handle 1 PC	Round Head Bolt 2 PCS	Aluminum Rod 4 PCS	Safety Strap Kit 1 PC	Long Screw 6PCS (Extra 1)

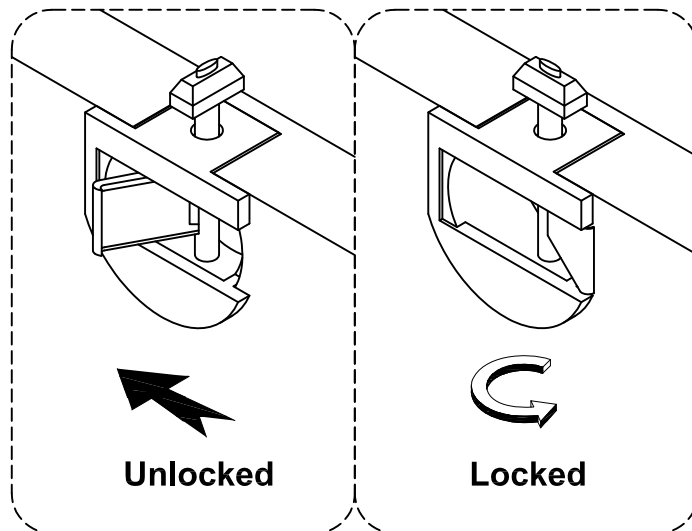
ADDITIONAL TOOLS (Not Provided)

Note: It is not recommended to use power tools during assembly.



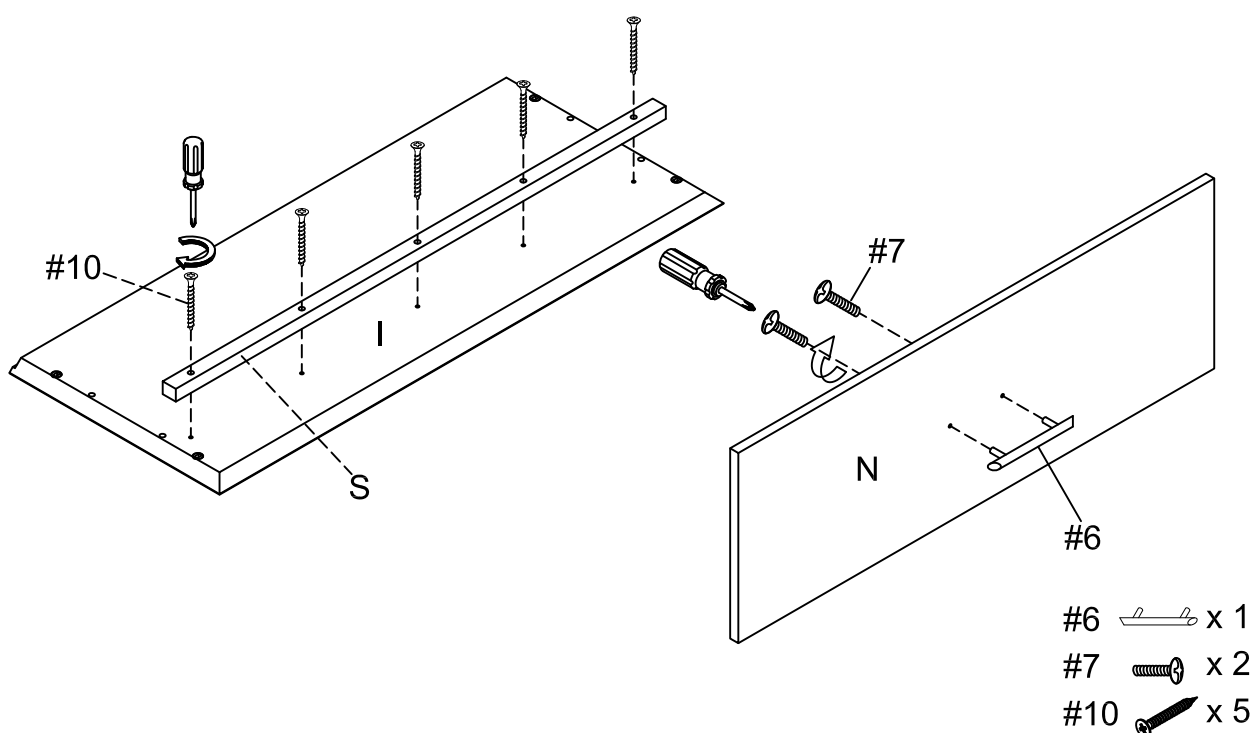
Phillips Head Screwdriver

Please do not use tools to assemble this unit unless specifically indicated.

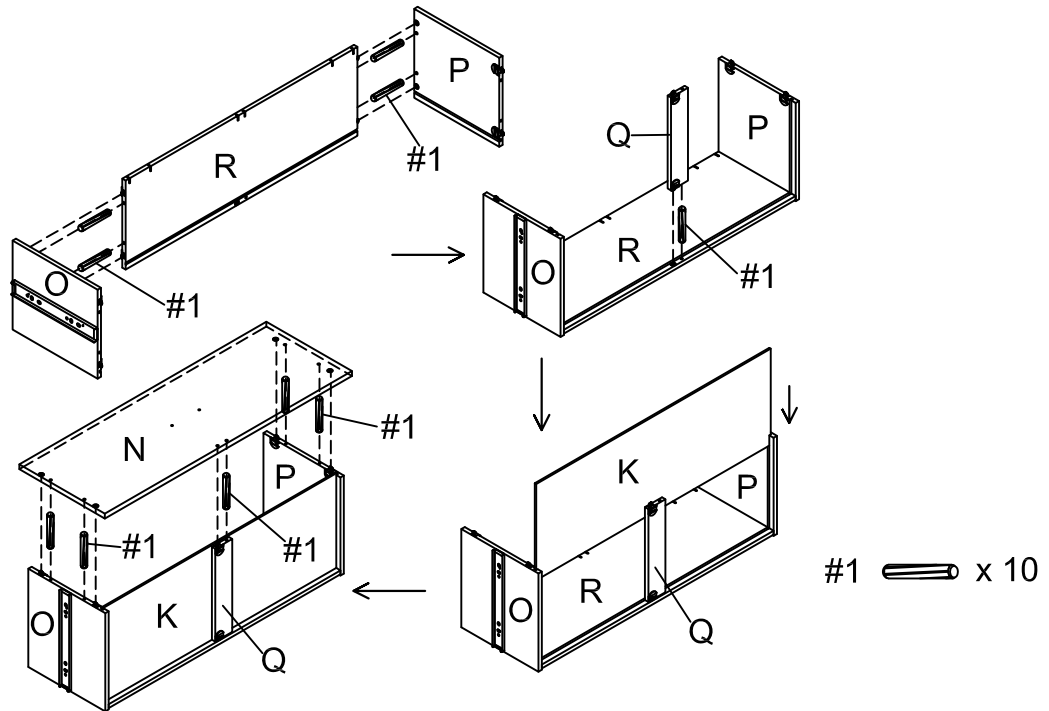


Reference the images above any time the instructions state "lock the hardware".
Note: Be sure to check all hardware is locked when completed.

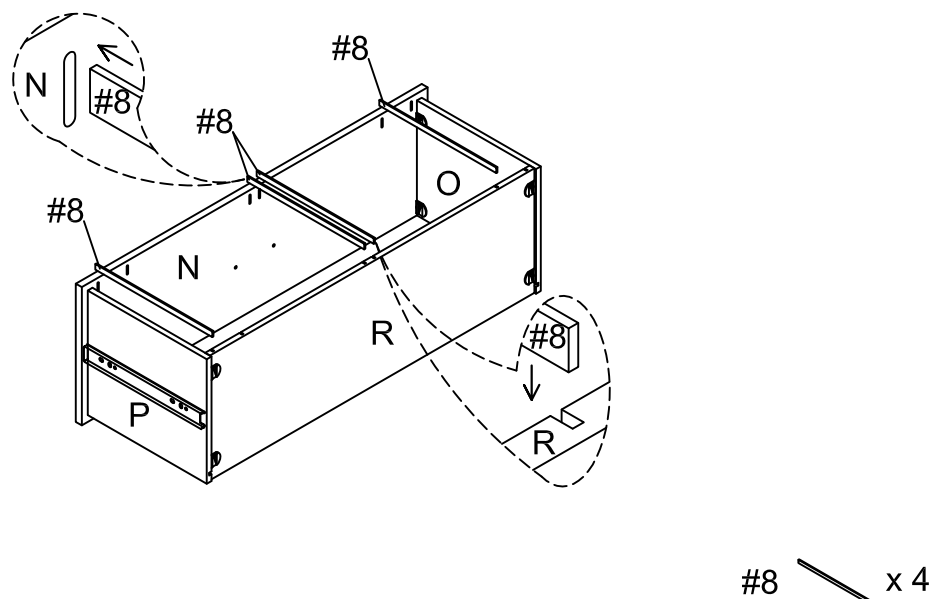
Step 1. Attach handle (part #6) to front of drawer (part N) using round head bolts (part #7) and phillips head screwdriver. Attach support rail (part S) to top panel of cabinet (part I) using long screws (part #10) and phillips head screwdriver.



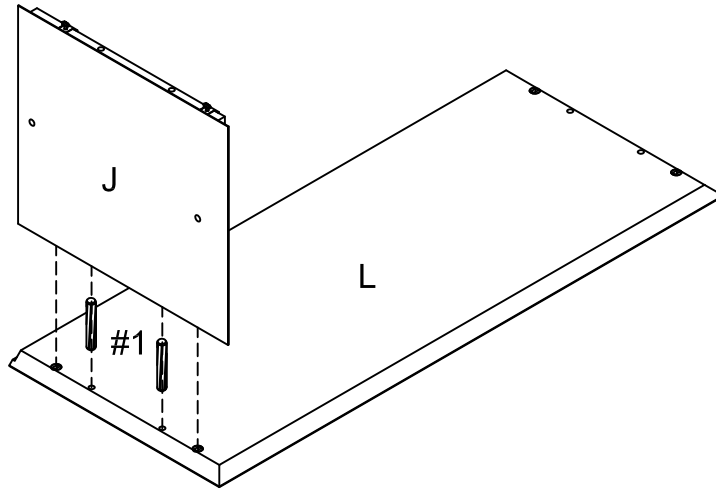
Step 2. Attach left side panel of drawer (part O) and right side panel of drawer (part P) to back panel of drawer (part R) using small wood dowels (part #1) and lock the hardware. Attach bottom rail of drawer (part Q) to back panel of drawer (part R) using small wood dowel (part #1) and lock the hardware. Slide bottom panel of drawer (part K) into the grooves of left side panel of drawer (part O) and right side panel of drawer (part P). Attach front of drawer (part N) to left side panels of drawer (part O), bottom rail of drawer (part Q) and right side panel of drawer (part P) using small wood dowels (part #1) and lock the hardware.



Step 3. Insert aluminum rods (part #8) into desired place in drawer.

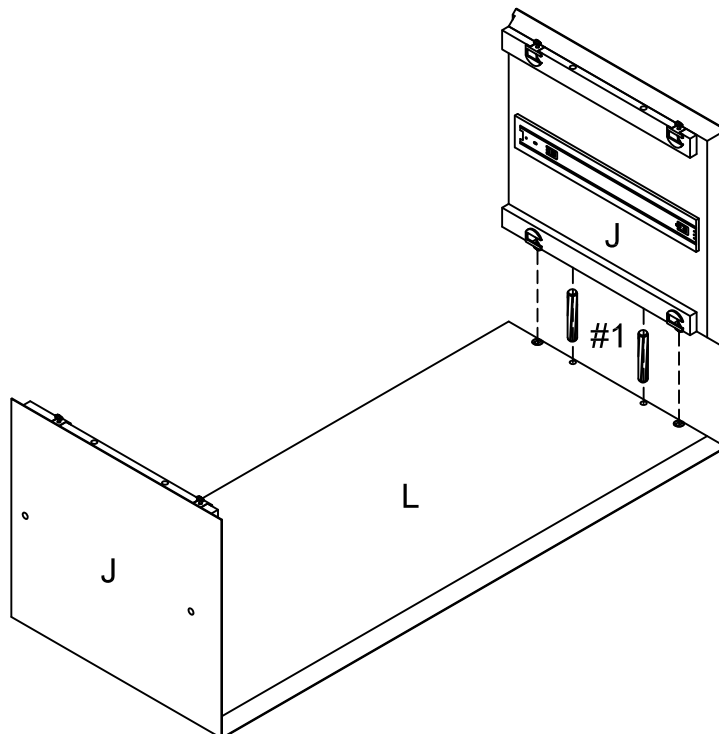


Step 4. Attach side panel of cabinet (part J) to bottom panel of cabinet (part L) using small wood dowels (part #1) and lock the hardware.



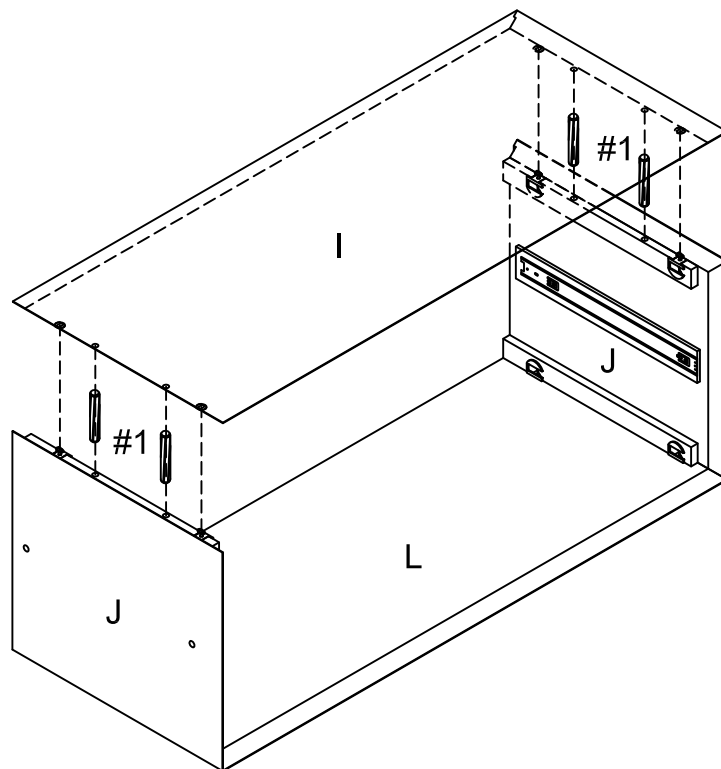
#1  x 2

Step 5. Attach side panel of cabinet (part J) to bottom panel of cabinet (part L) using small wood dowels (part #1) and lock the hardware.



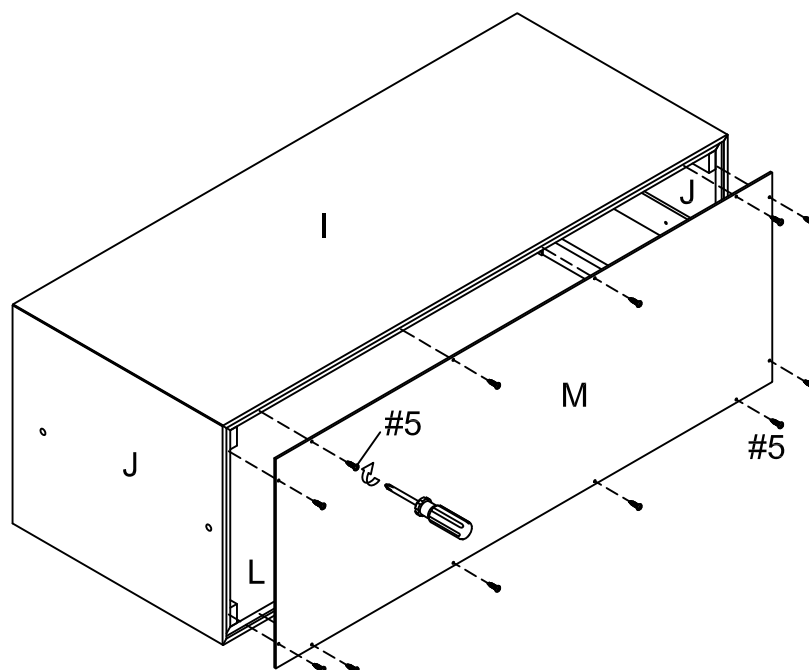
#1  x 2

Step 6. Attach top panel of cabinet (part I) to side panels of cabinet (part J) using small wood dowels (part #1) and lock the hardware.



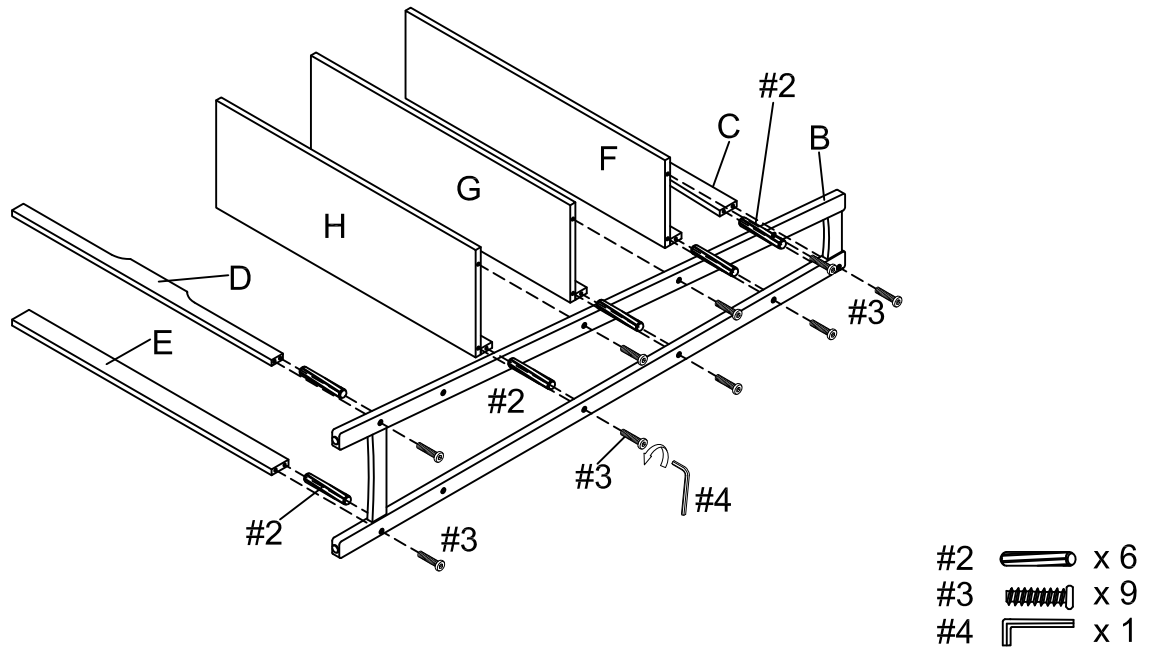
#1  x 4

Step 7. Carefully turn unit around, and attach back panel of cabinet (part M) to top panel of cabinet (part I), side panels of cabinet (part J) and bottom panel of cabinet (part L) using short screws (part #5) and phillips head screwdriver as shown.

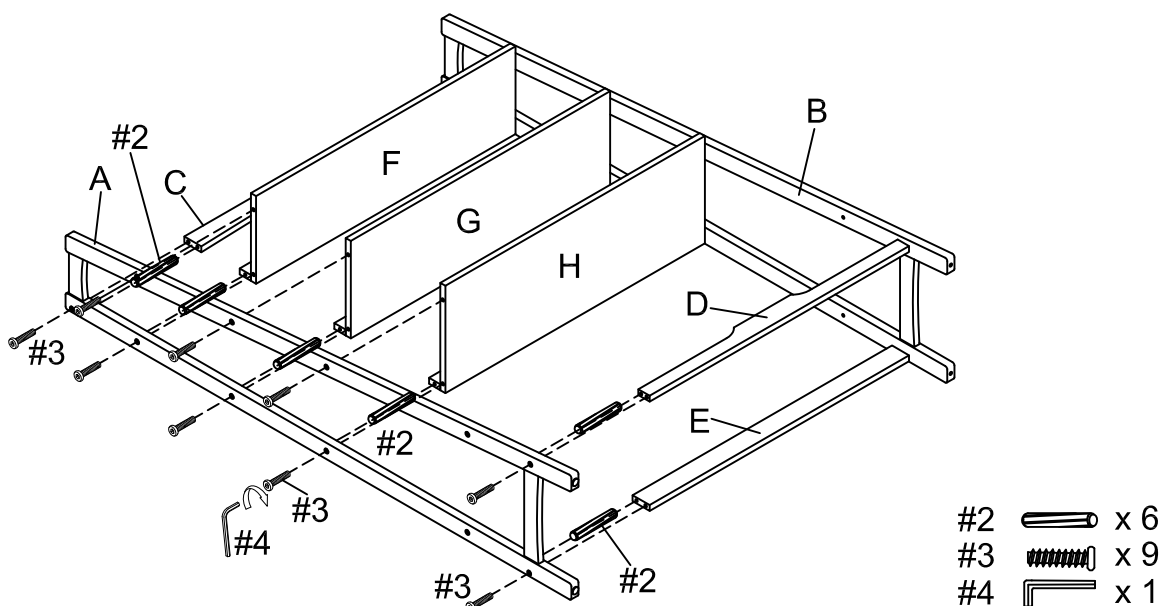


#5  x 12

Step 8. Attach back top rail (part C), top shelf (part F), middle shelf (part G), bottom shelf (part H), front bottom rail (part D) and back bottom rail (part E) to right side frame (part B) using large wood dowels (part #2), allen bolts (part #3) and allen wrench (part #4).
 Note: Do not completely tighten all allen bolts (part #3), until later on.

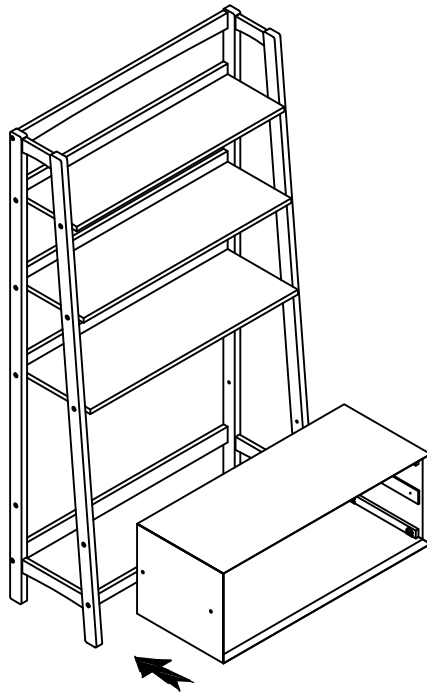


Step 9. Attach left side frame (part A) to back top rail (part C), top shelf (part F), middle shelf (part G), bottom shelf (part H), front bottom rail (part D) and back bottom rail (part E) using large wood dowels (part #2), allen bolts (part #3) and allen wrench (part #4).
 Note: Do not completely tighten all allen bolts (part #3), until later on.

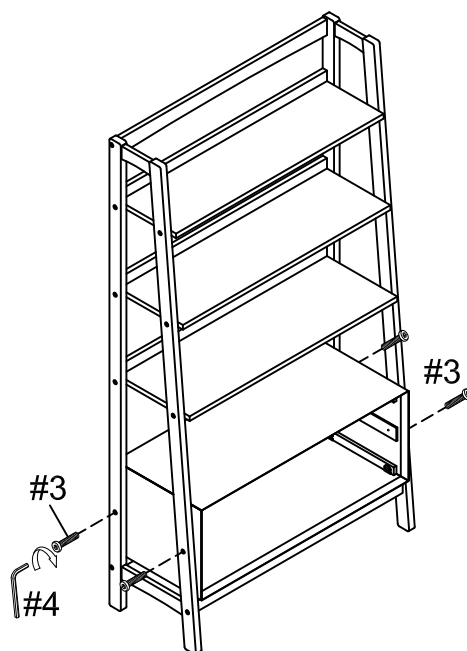


Step 10. Insert the cabinet box into bookcase.

Note: Make sure all allen bolts are not completely tightened, or the cabinet box will not fit inside.

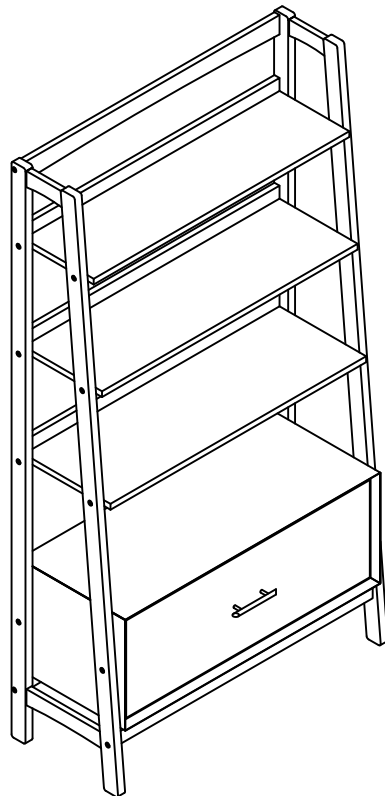
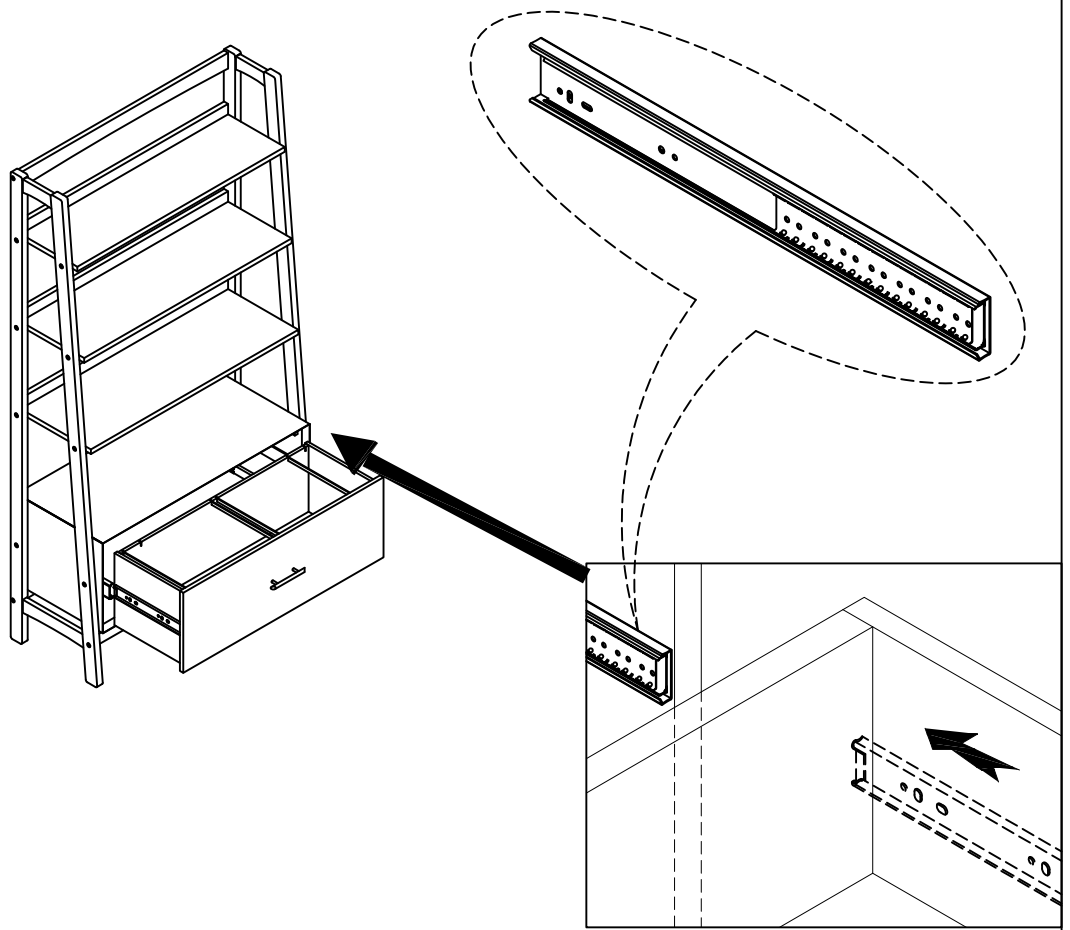



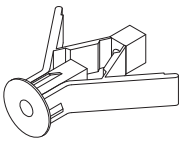

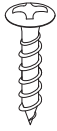

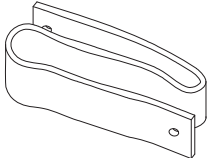
Step 11. Attach cabinet box to bookcase using allen bolts (part #3) and allen wrench (part #4). Tighten all allen bolts at this time.



#3  x 4
#4  x 1

Step 12. Insert drawer into cabinet box.



	<p>Safety Strap Kit 1 PC</p>	<p>A</p> 	<p>B</p> 	<p>C</p> 	<p>D</p> 	<p>E</p> 
		<p>Wall Anchor A x 1 PC</p>	<p>Washer B x 2 PCS</p>	<p>D8*3/4" Short Screw C x 1 PC</p>	<p>D8*1-1/2" Long Screw D x 1 PC</p>	<p>Safety Wall Strap E x 1 PC</p>

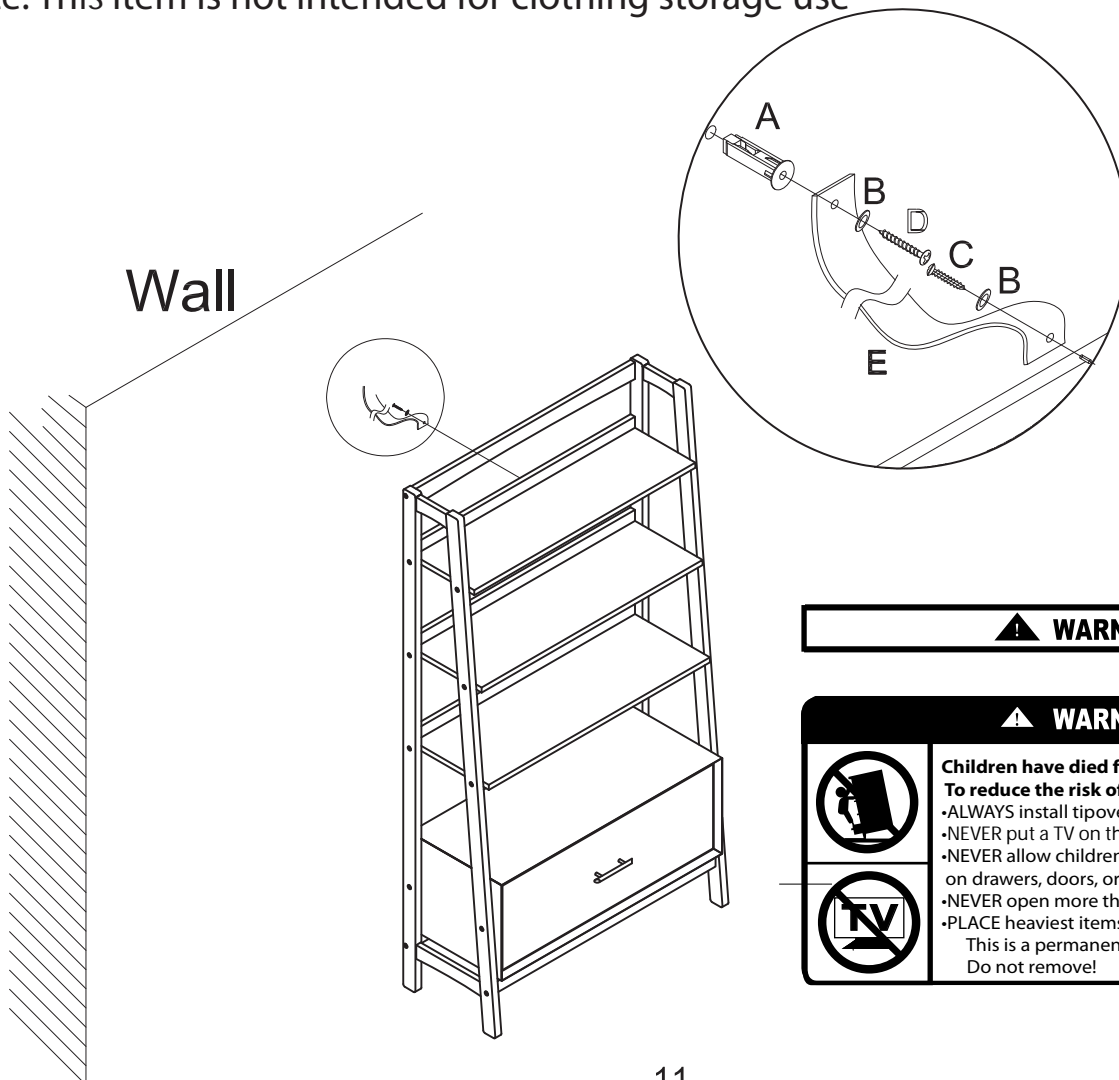
SAFETY STRAP WALL ASSEMBLY INSTRUCTION

1) Insert short screw (part #C) through washer (part #B) and safety wall strap (part #E) and screw it into the top center of top shelf (part F).

2) Drill a 11/32" hole where you want to secure your unit. The hole should be at the same height as the hole in the top center of top shelf (part F). Tap wall anchor (part #A) into the hole.

3) Insert long screw (part #D) through a washer (part #B) and safety wall strap (part #E) into wall anchor (part #A).

Note: This item is not intended for clothing storage use



▲ WARNING

▲ WARNING

Children have died from furniture tip-over. To reduce the risk of furniture tip-over:

- ALWAYS install tipover restraint provided.
- NEVER put a TV on this product.
- NEVER allow children to stand, climb or hang on drawers, doors, or shelves.
- NEVER open more than one drawer at a time.
- PLACE heaviest items in the lowest drawers.

This is a permanent label. Do not remove!