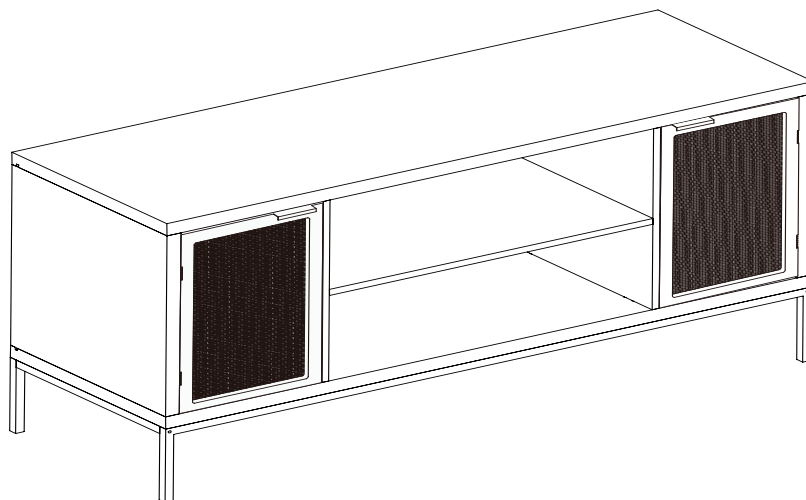


H0033/H0081

Seattle Media Console Cabinet or TV Stand



1 HOUR
ASSEMBLY TIME

2 PEOPLE
REQUIRED FOR ASSEMBLY

2 x 1 m
FLOOR SPACE REQUIRED

SAFETY PRECAUTIONS

PLEASE READ ALL INSTRUCTIONS CAREFULLY BEFORE ASSEMBLING AND USING THE PRODUCT.

1. Please check that all parts are present before you start the assembly of your furniture. A **Philips head screwdriver (not included)** is required for the assembled of this product.
2. For ease and speed of assembly, we recommend that before you commence each step of the assembly, that you identify all the parts required for that step.
3. For larger items, please ensure that you have sufficient space and people to assemble your product safely.
4. We recommend that, where possible, all items are assembled near to the area in which they will be placed in use, to avoid moving the product unnecessarily once assembled.
5. For the protection of your furniture, we recommend that the product is placed on a protected surface during assembly to prevent any damage.
6. During assembly, Do not tighten bolts / screws completely until all bolts / screws are lined up and inserted into holes, Do not over tighten screws and bolts to avoid stripping, Do not use power tools
7. Always place the product on a flat, steady and stable surface.
8. Do not stand on the product. Do not use the product as a stepladder.
9. This product is intended for indoor, household use only as it is a non industrial product.

CARE AND CLEANING

- Please periodically check all fittings and re-tighten as necessary.
- To clean your item, please use a damp cloth and wipe clean.
- Never allow any kind of liquid to remain on your furniture. If liquid spills onto the product, please wipe clean as soon as possible.



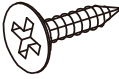
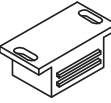
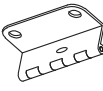
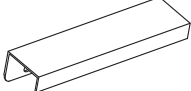
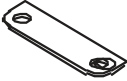
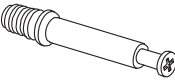

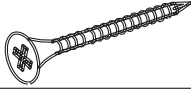

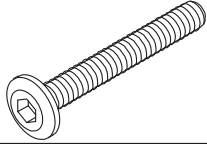
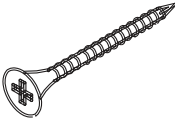
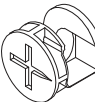
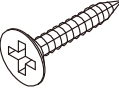

**WARNING : ENSURE THE WALL STRAP IS ATTACHED TO
AVOID SERIOUS INJURY**

To avoid any serious or fatal injury, this product has been fitted with a wall strap to prevent toppling. We strongly recommend that this product is permanently fixed to the wall or other suitable surface. Fixing devices are not included since different surface materials require different attachments. Please seek professional advice if you are in doubt of what fixing device to use.

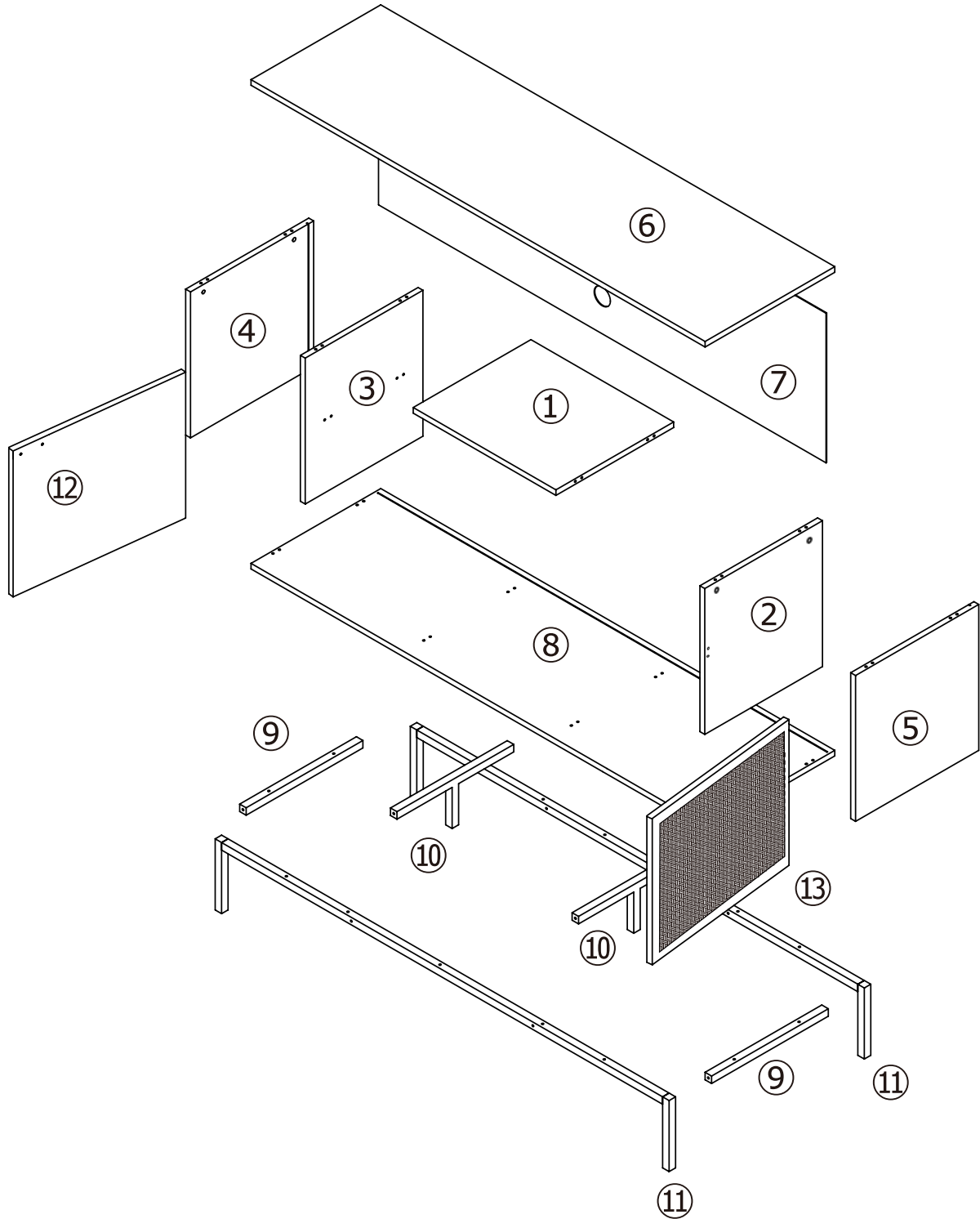
Do not stand on the product. Do not climb on the product. Do not swing on the product.

READ AND SAVE THESE INSTRUCTIONS FOR FUTURE REFERENCE

HARDWARE LIST

A		Ø 3x12mm	Screw	32 pcs
B			Magnetic Door Catch	2 pcs
C			Door Hinge	4 pcs
D			Handle	2 pcs
E			Metal Sheet	2 pcs
F			Cam Bolt	12 pcs
G			Wooden Dowel	20 pcs
H		Ø 4x35mm	Screw	18 pcs
I			Allen Key	1 pcs
J		Ø 6x40mm	Bolt	8 pcs
K		Ø 4x45mm	Screw	8 pcs
L			Cam Lock	12 pcs
M		Ø 3x14mm	Screw	18 pcs
N			Plastic Wedge	14 pcs

ASSEMBLY DIAGRAM



AFTER SALES SUPPORT

If you have any general enquiries or require spare parts for this product, please feel free to contact us via the following email:

Email: service@anmytek.com

You can contact us for support at any time. We'll answer you in 24hrs.

TIPS Before ASSEMBLY

IMPORTANT:

1. Do not tighten bolts / screws completely until all bolts / screws are lined up and inserted into holes.
2. Do not over tighten screws and bolts to avoid stripping.

What you need

- Some of your favourite fruits or your preferred snacks.
- Use the packaging carton as a working surface to prevent possible product damage during assembly.

Safety First, Fun Later

We want your Furniture Unit to last as long as possible, so we recommend that you tighten the screws 2 weeks after assembly, and for added safety, check the tightness of all screws every 2 months.

We do our best to ensure your Furniture arrives without any problems, but occasionally mistakes happen - as humans we are imperfect beings. In the event that a part is damaged or missing, we will be more than happy to provide you with replacement part(s) for free.

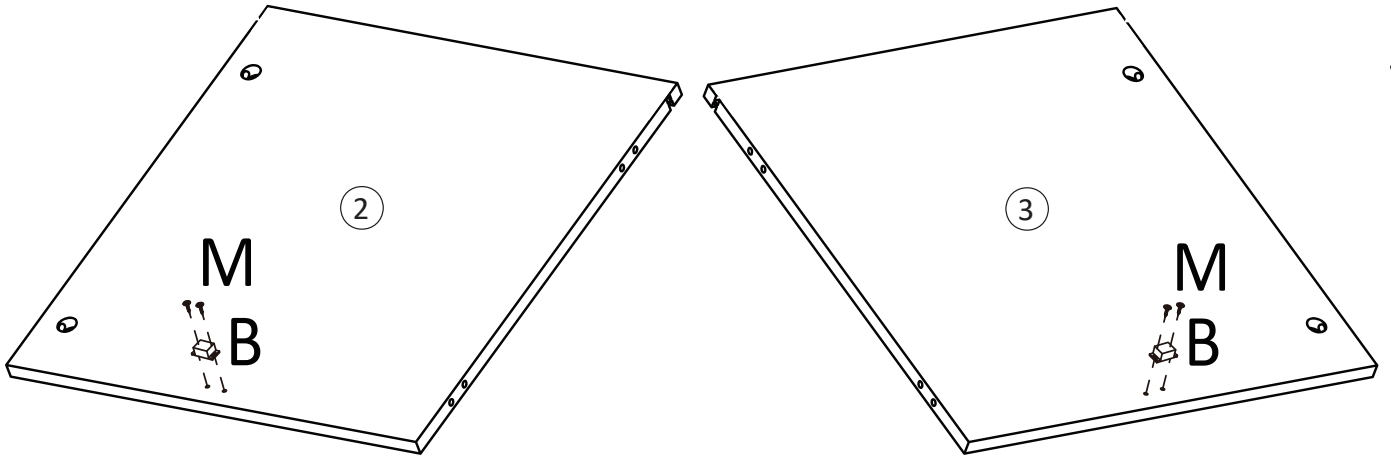
For more help, you can send a message to our customer support email service@anmytek.com in any time.

Ready? Ok, let's get rolling!

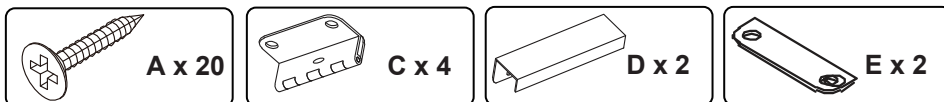
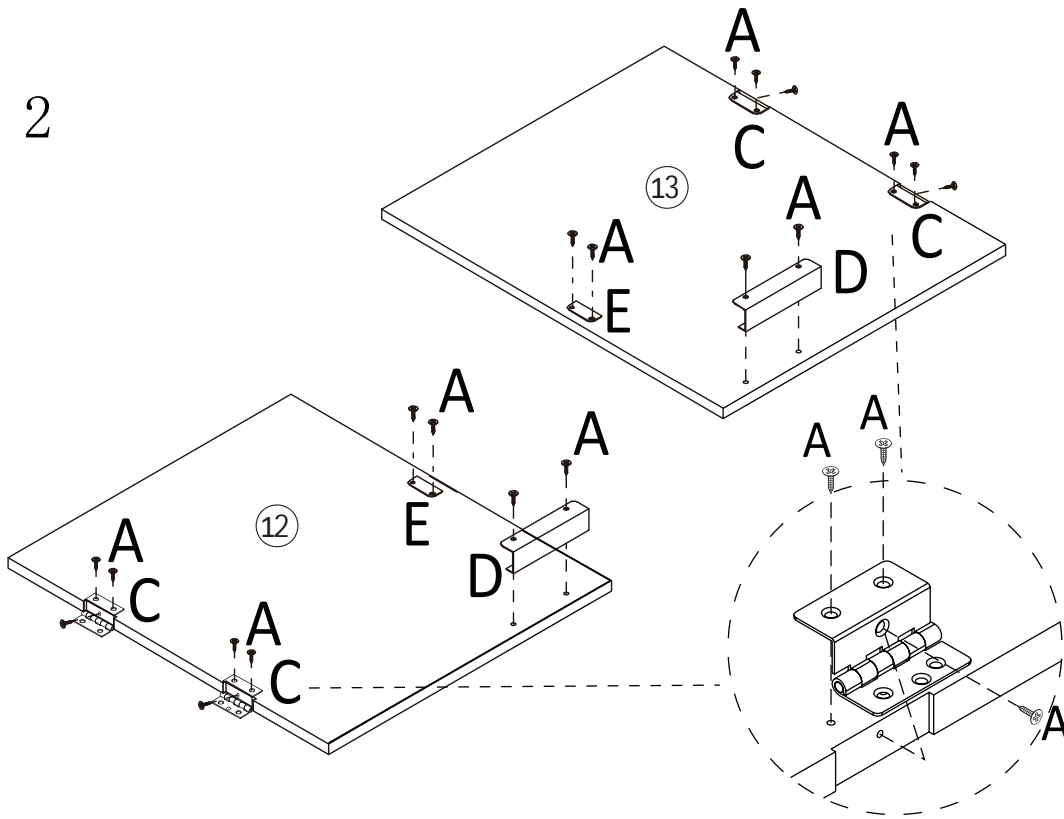
This should be very easy, just follow our simple instructions step by step and you will put it together in no time.

ASSEMBLY STEPS

Step 1

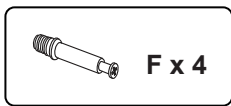
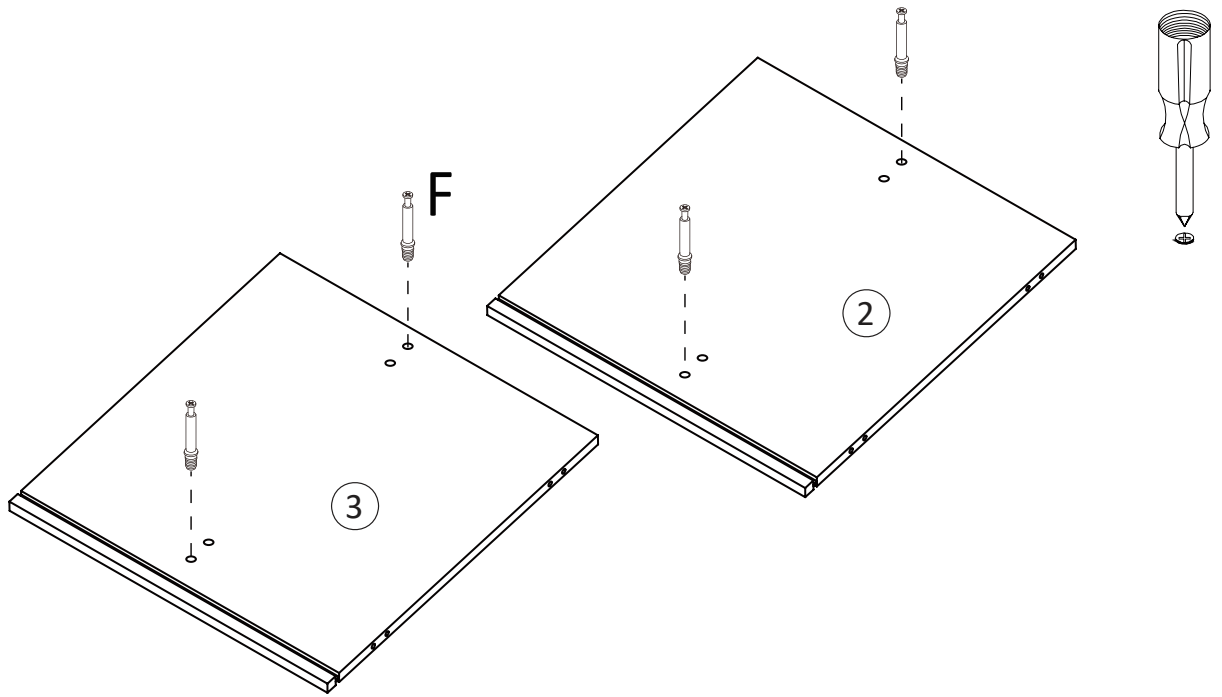


Step 2

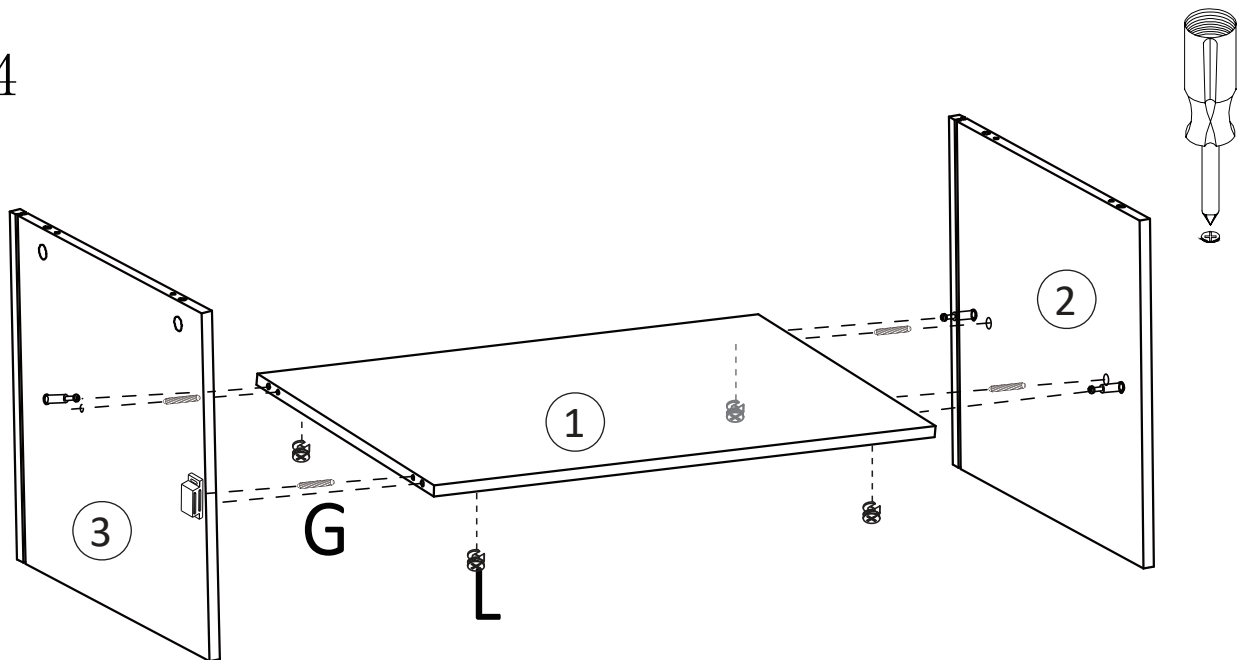


ASSEMBLY STEPS

Step 3

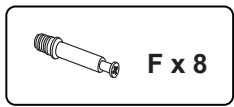
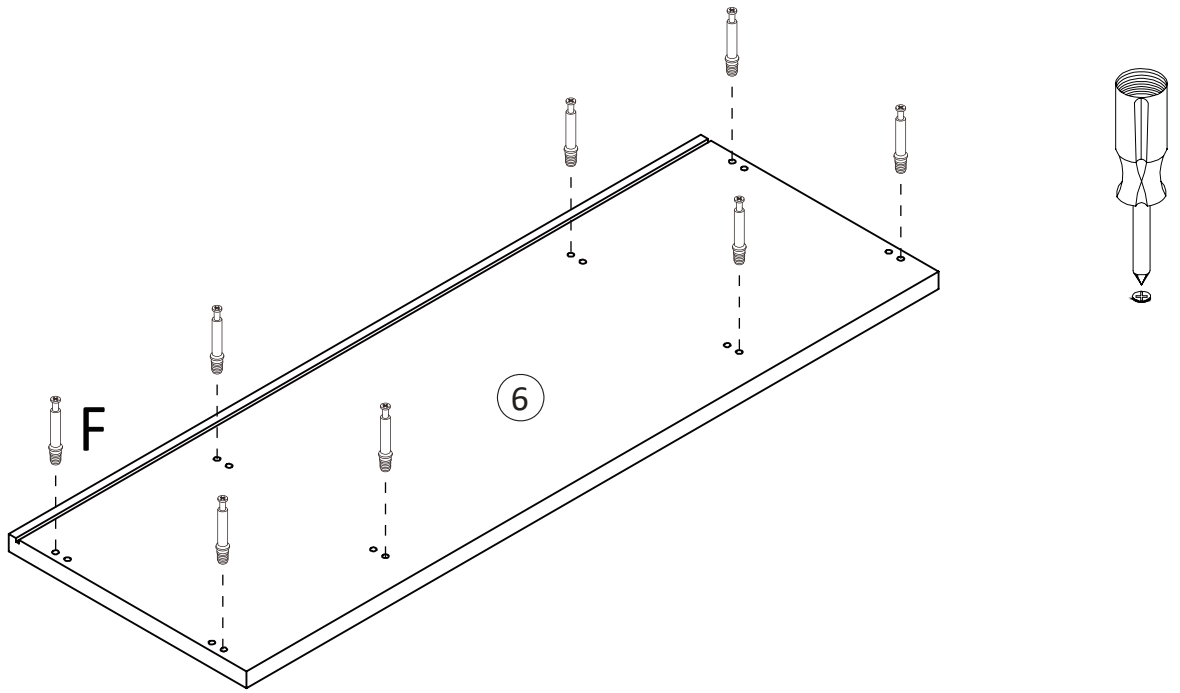


Step 4

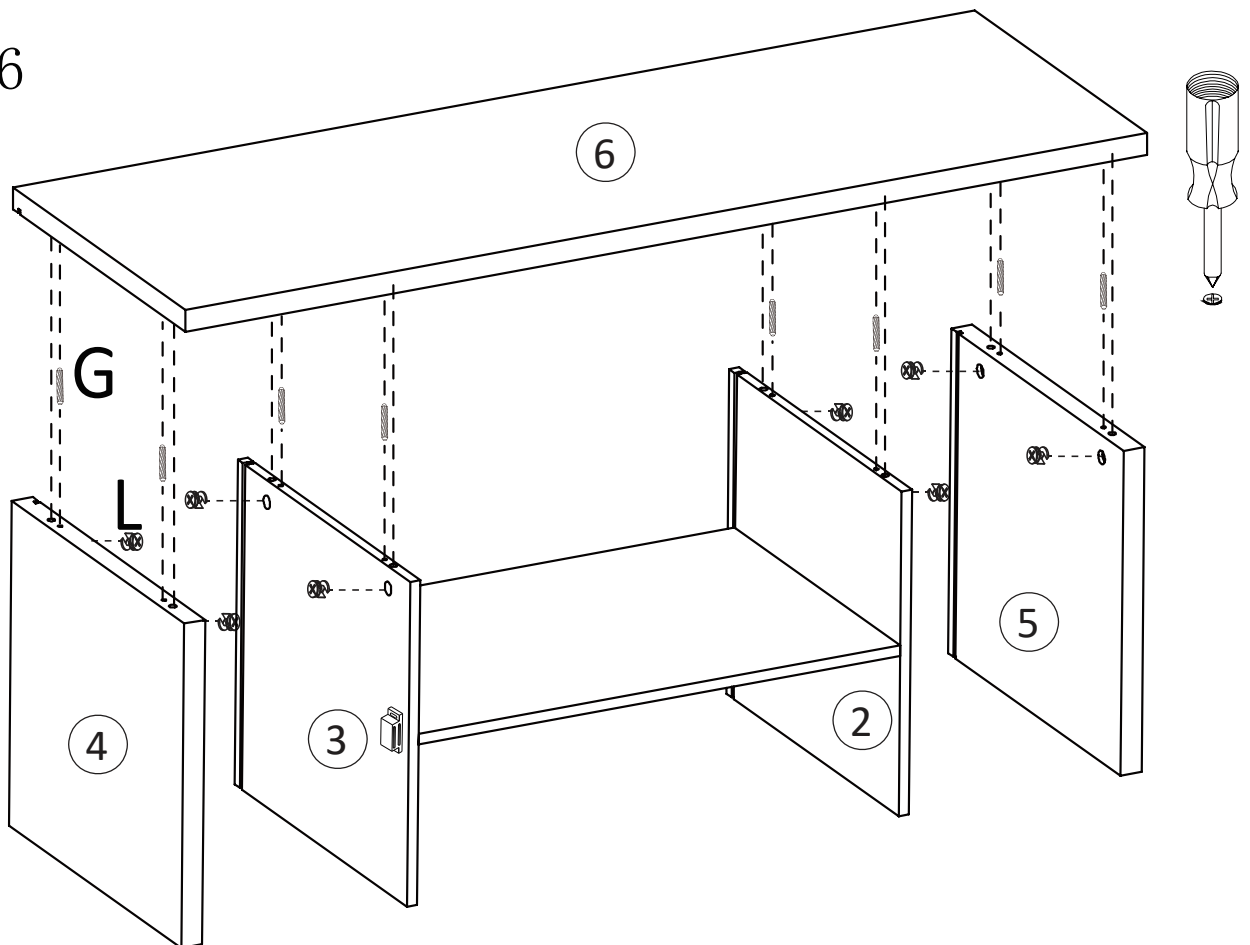


ASSEMBLY STEPS

Step 5

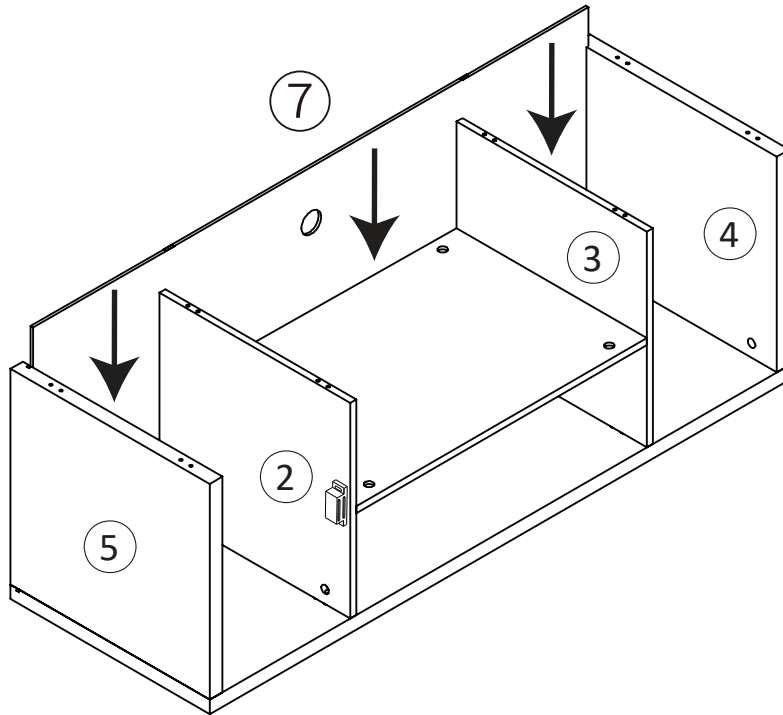


Step 6

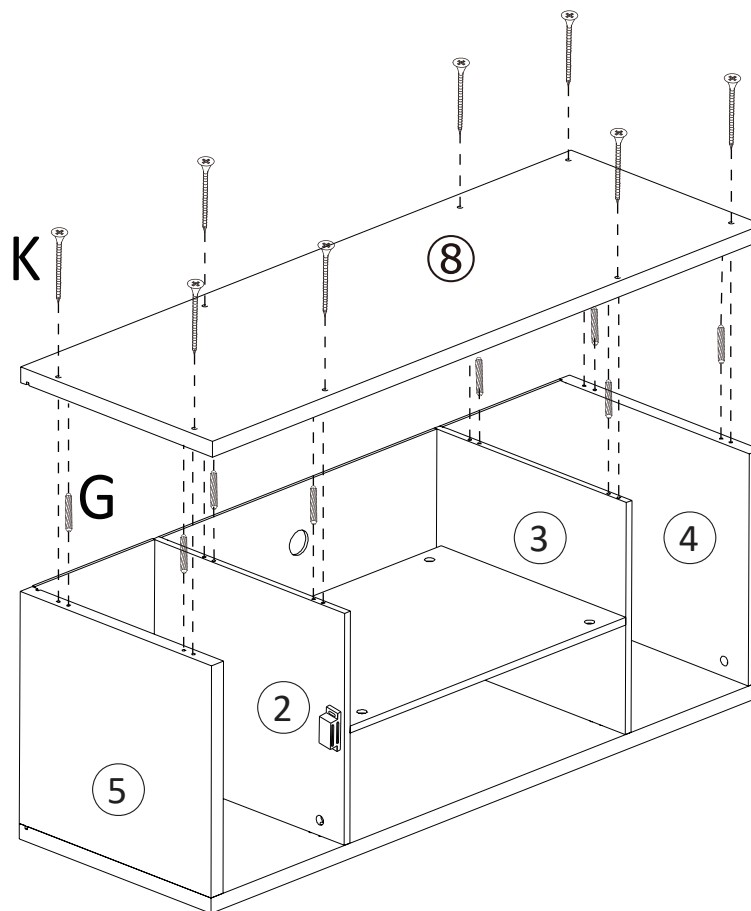


ASSEMBLY STEPS

Step 7

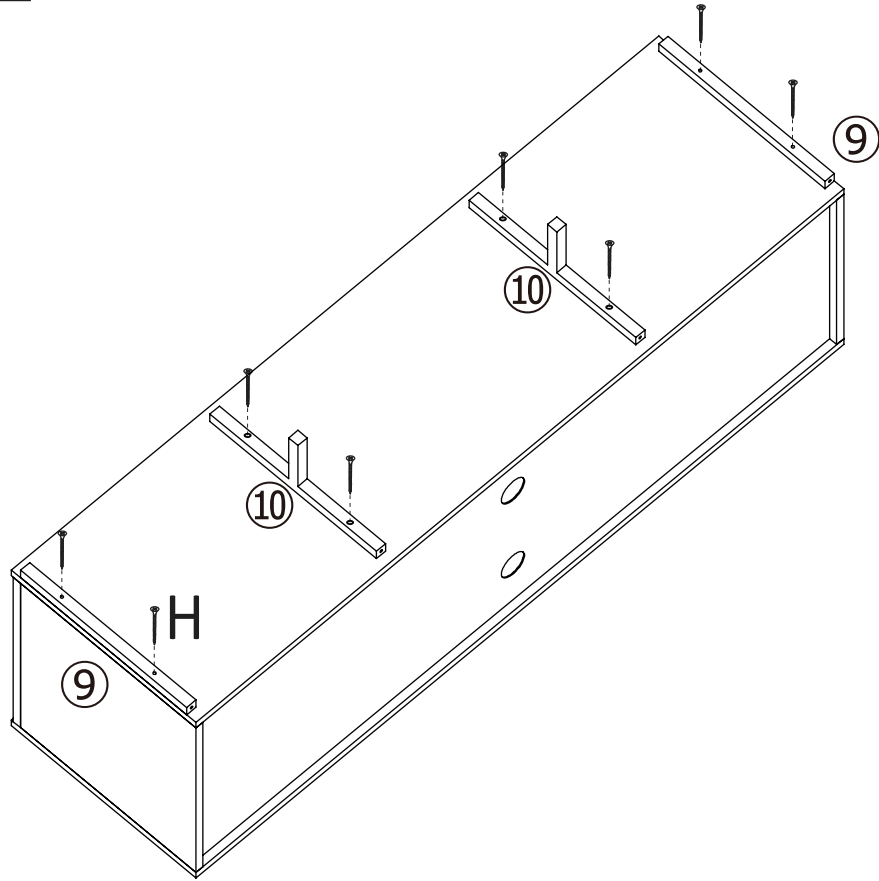


Step 8

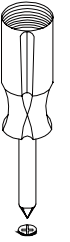
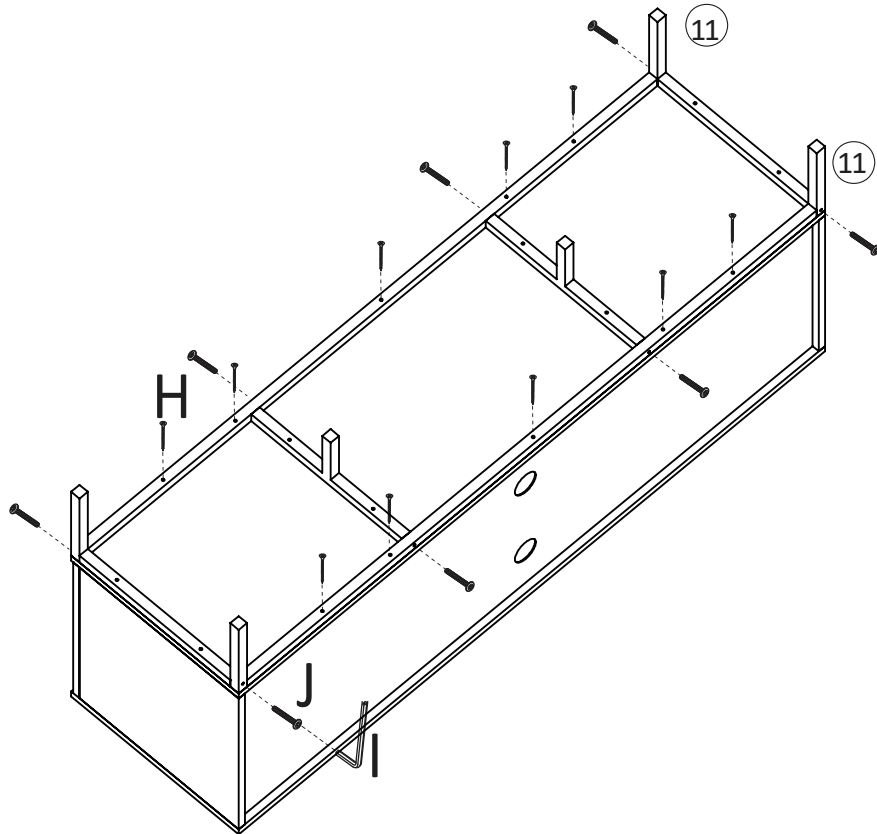


ASSEMBLY STEPS

Step 9

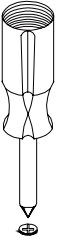
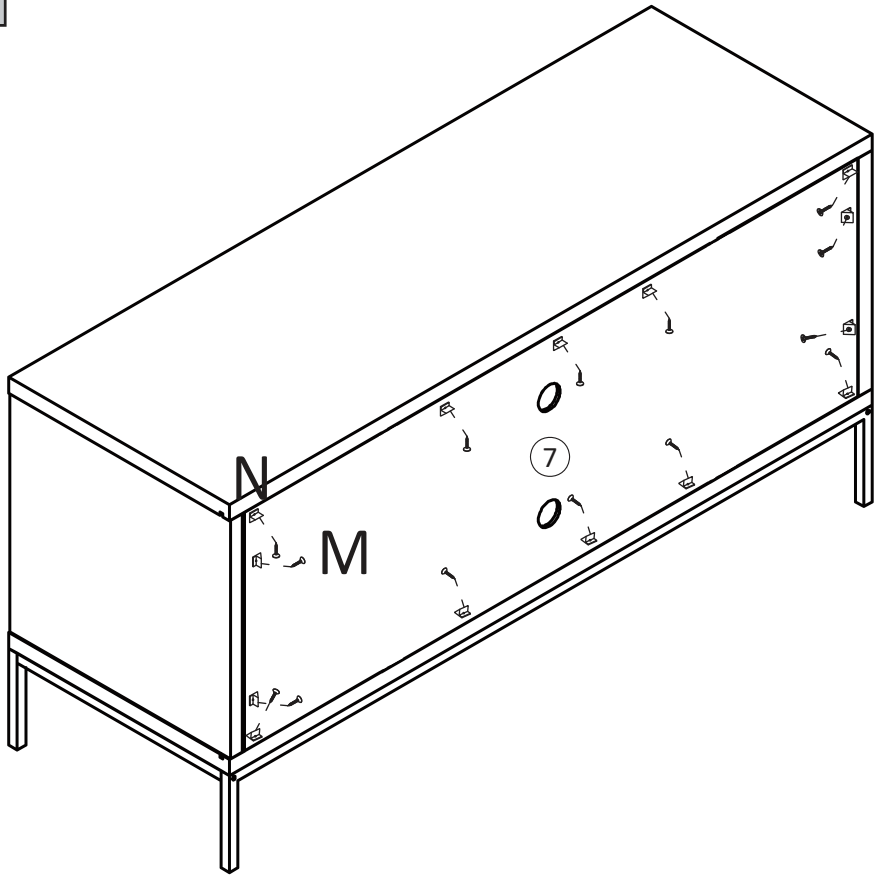
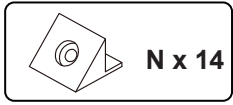


Step 10

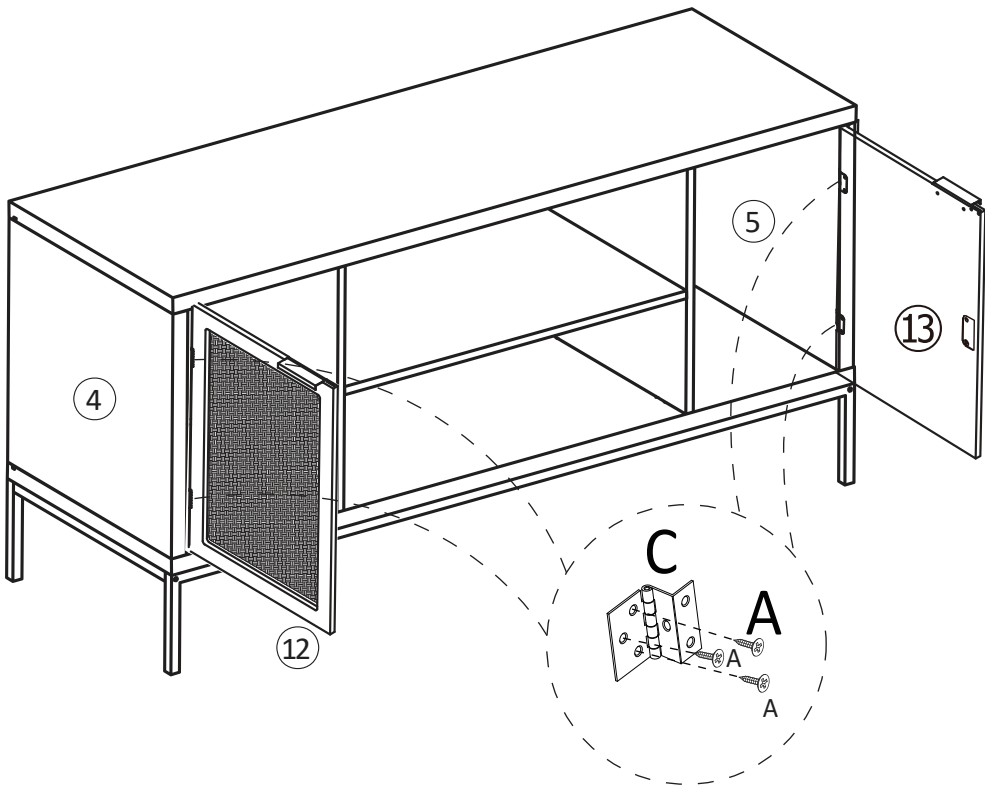


ASSEMBLY STEPS

Step 11



Step 12



ASSEMBLY STEPS

Step 13

