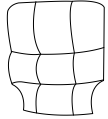

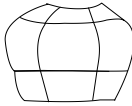



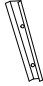
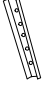

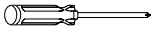
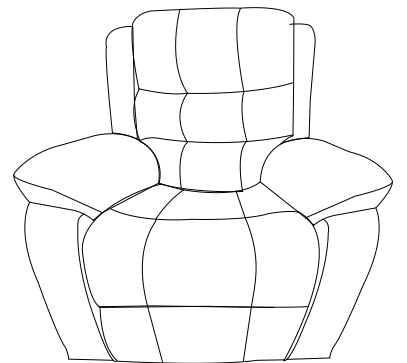
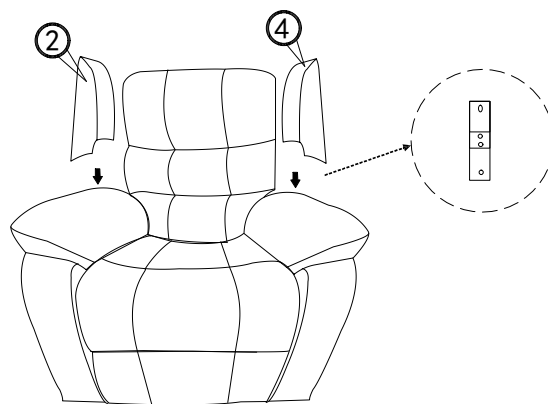
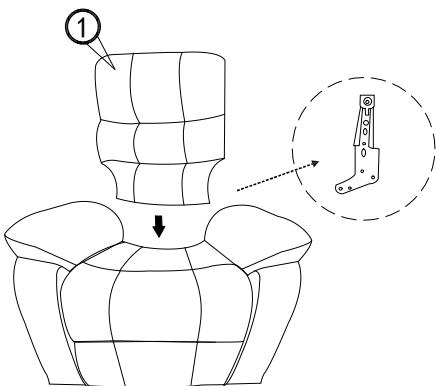
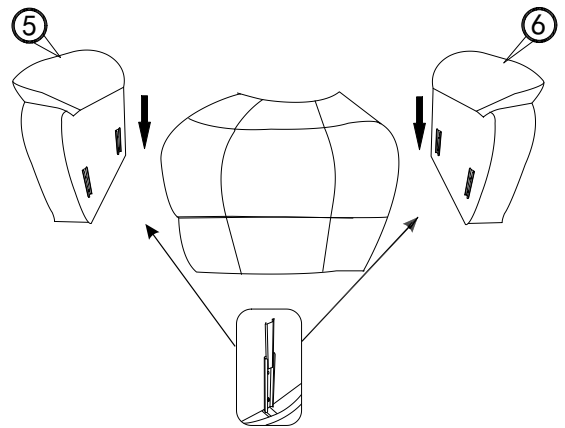
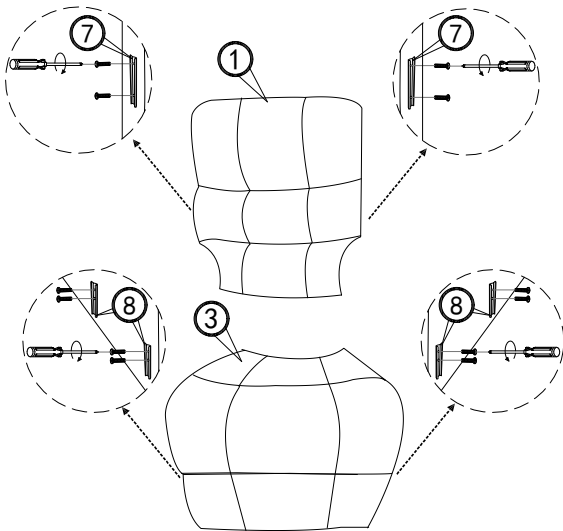


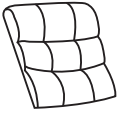
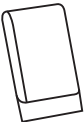



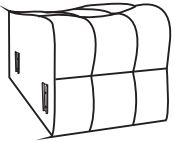

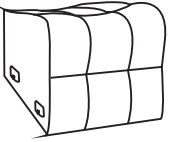


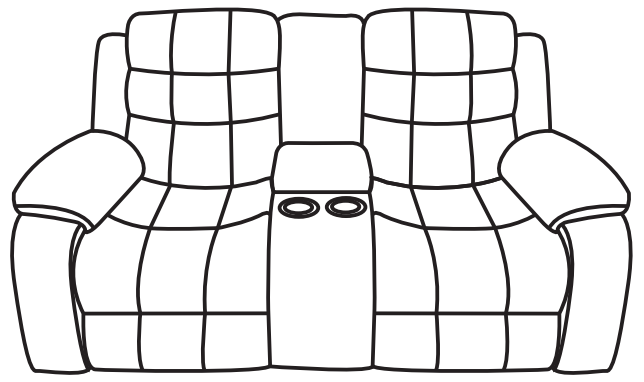
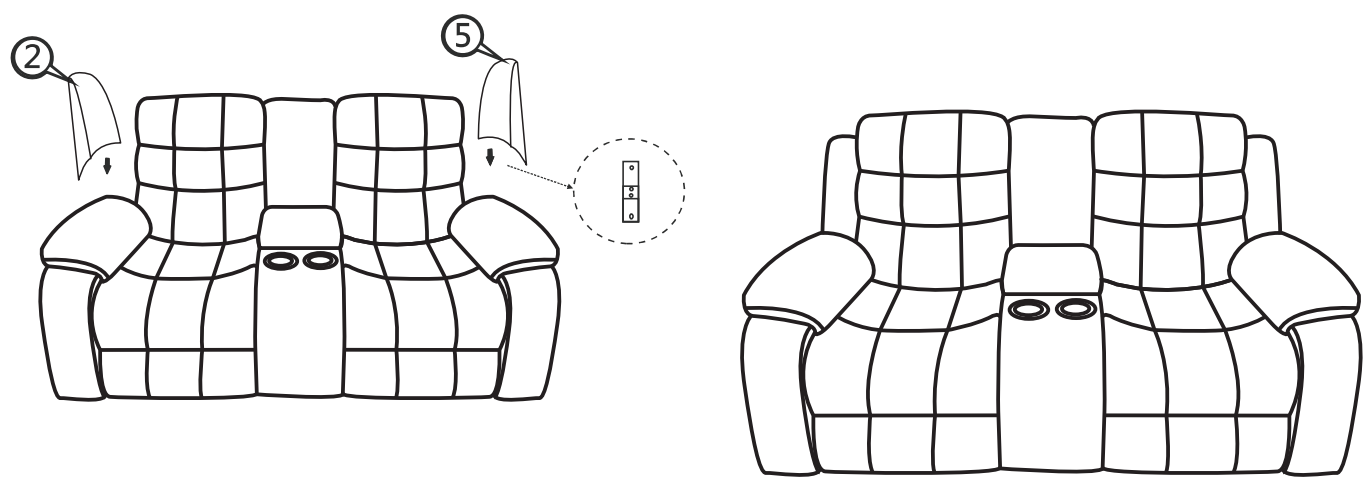
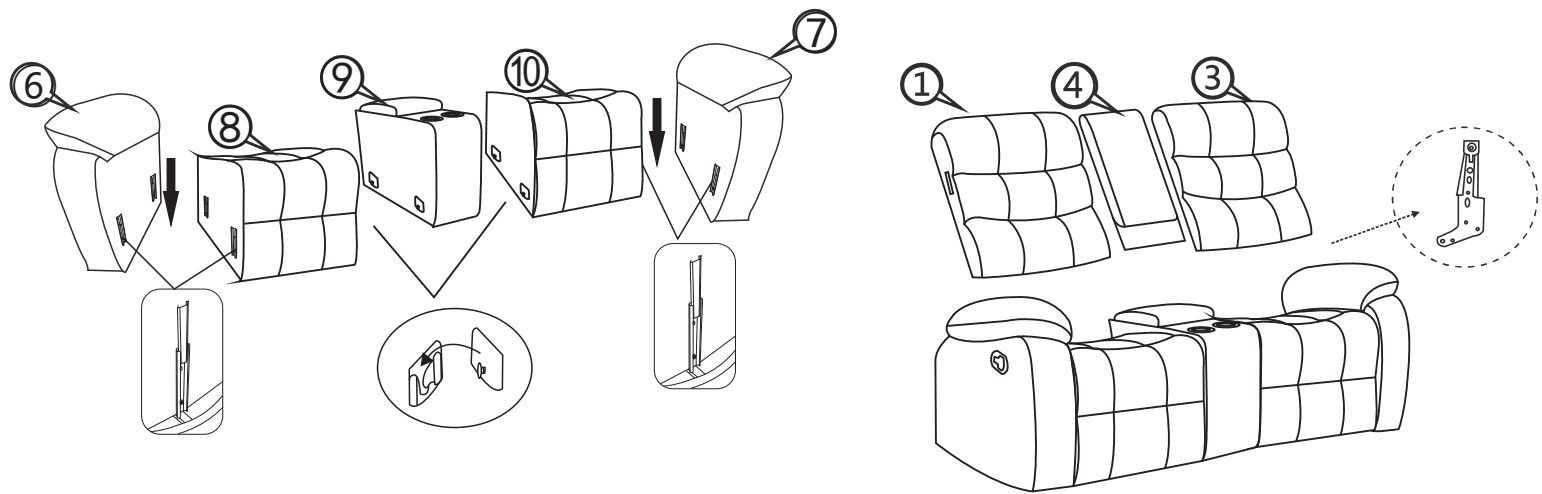
# ASSEMBLY INSTRUCTION

①		1	②		1	③		1	④		1
⑤		1	⑥		1	⑦		2	⑧		4
⑨	 M6*40	12	⑩		1						

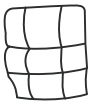


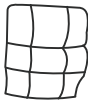





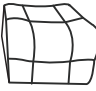


# ASSEMBLY INSTRUCTION

①		1	②		1	③		1
④		1	⑤		1	⑥		1
⑦		1	⑧		1	⑨		1
⑩		1						



# ASSEMBLY INSTRUCTION

①		1	②		1	③		1
④		1	⑤		1	⑥		1
⑦		1	⑧		1	⑨		1
⑩		1						

