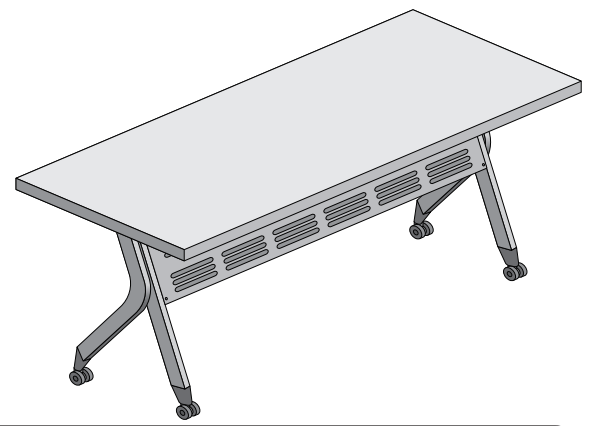
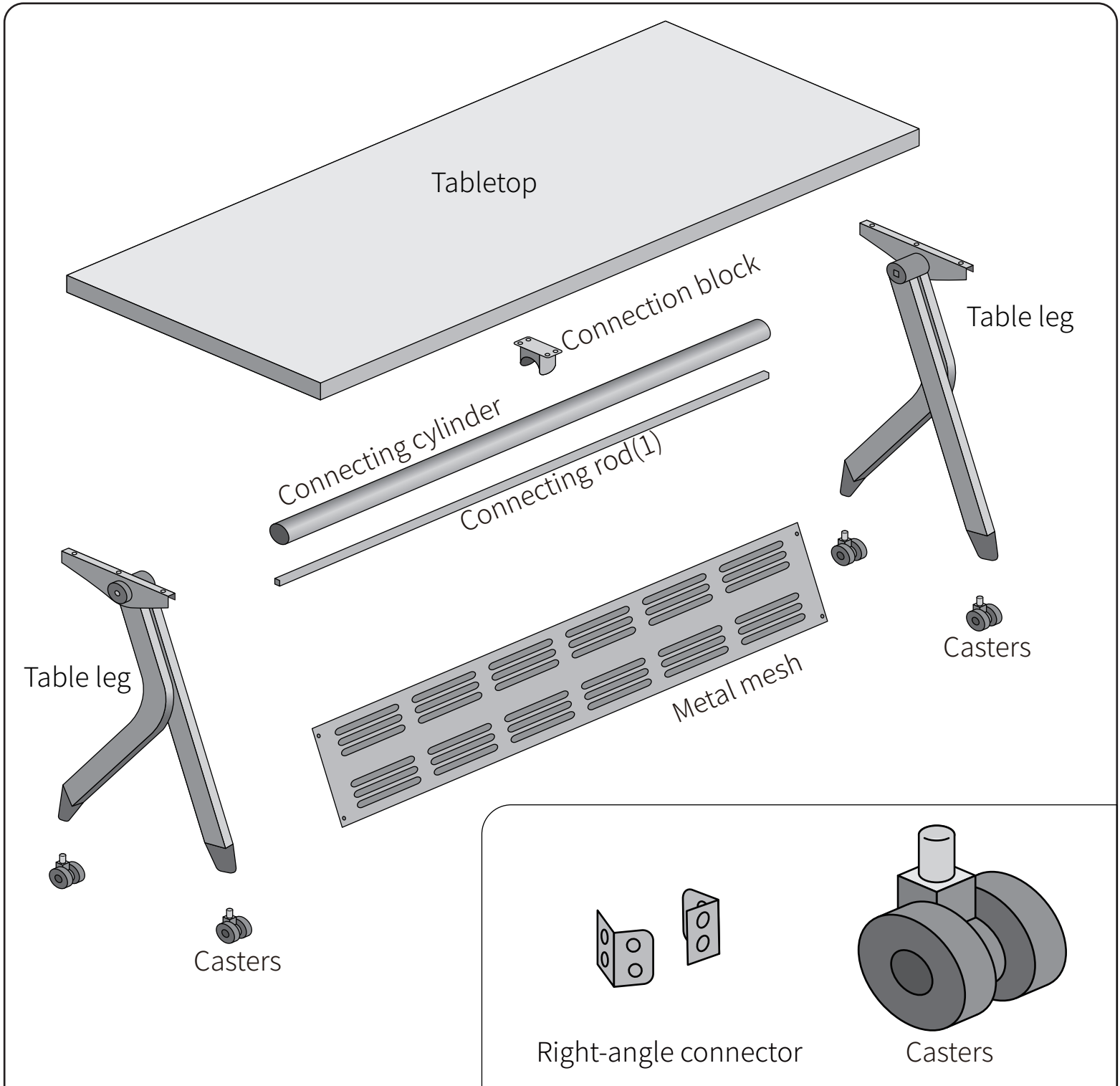


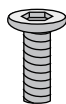
# INSTALLATION INSTRUCTIONS



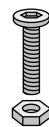
## PARTS LIST



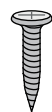
Screw(1)



Screw(2)



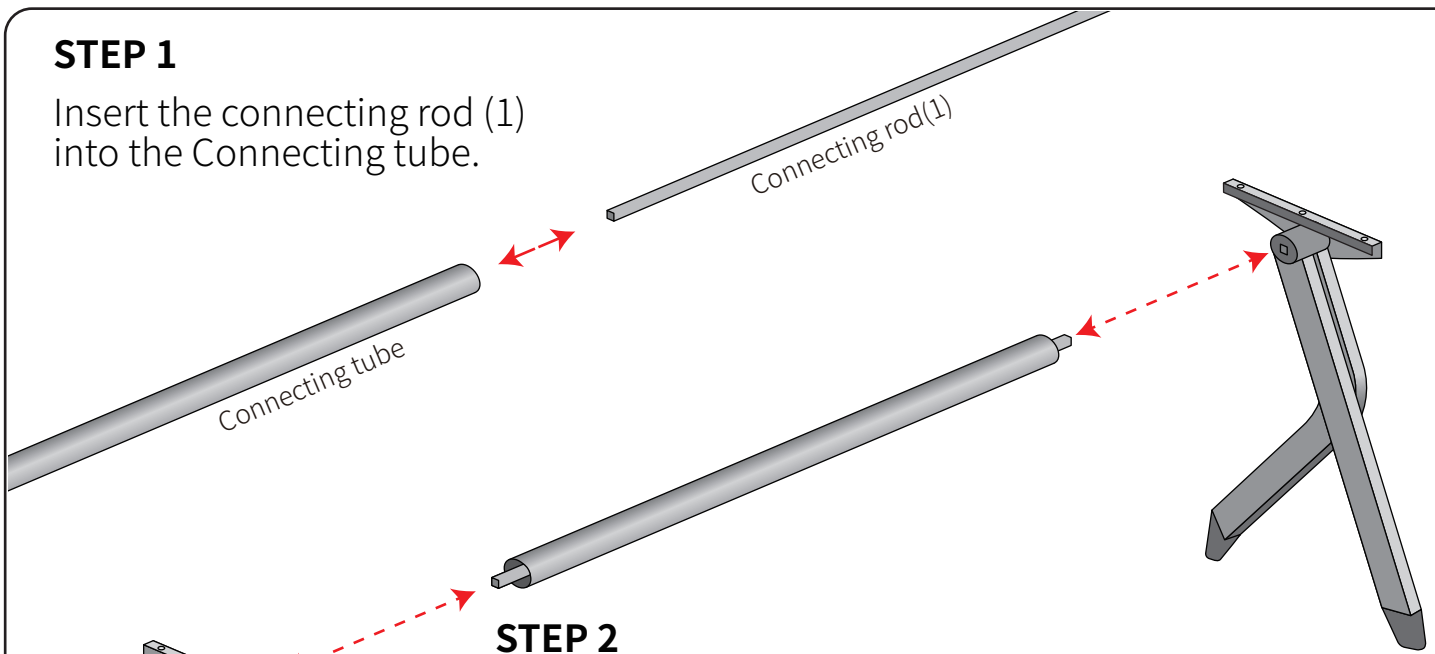
Screw(3)



Self-tapping screws

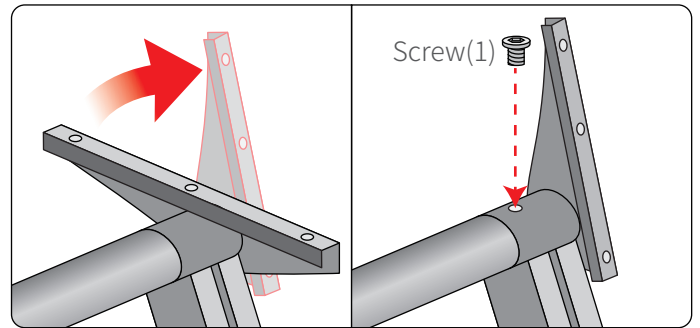
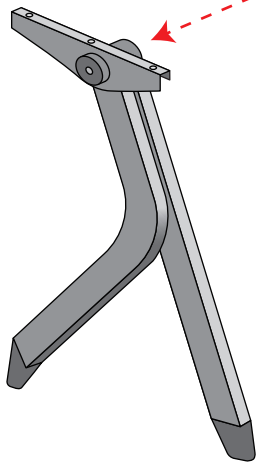
### STEP 1

Insert the connecting rod (1) into the Connecting tube.



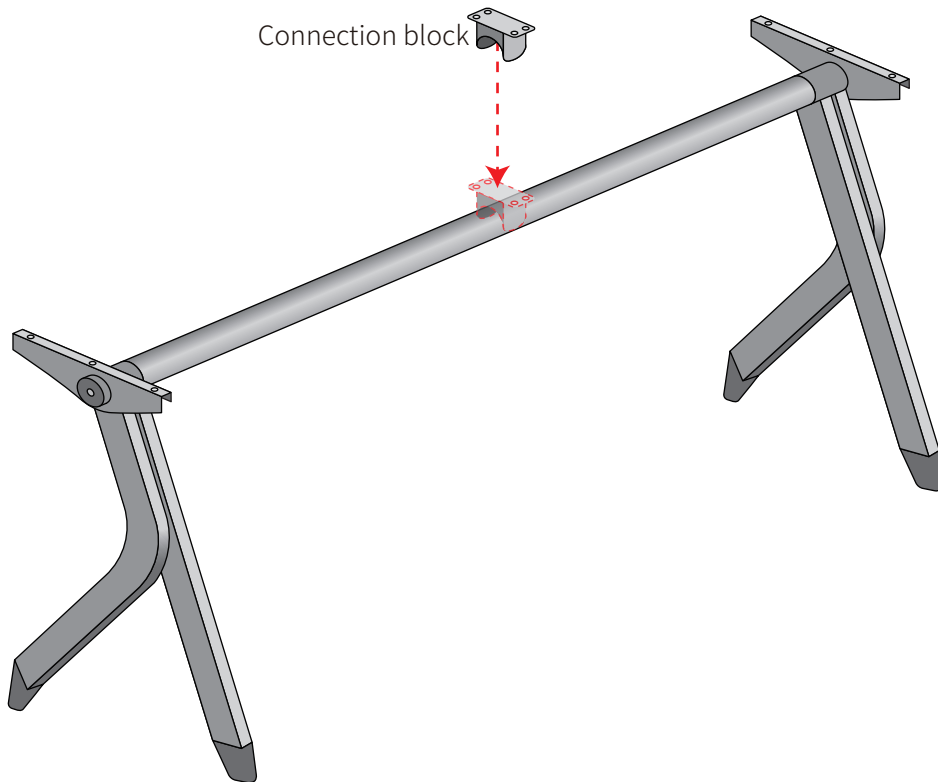
### STEP 2

Install the two table legs at both ends of the connecting rod (1). Rotate the connection part and fix it with screw (1)



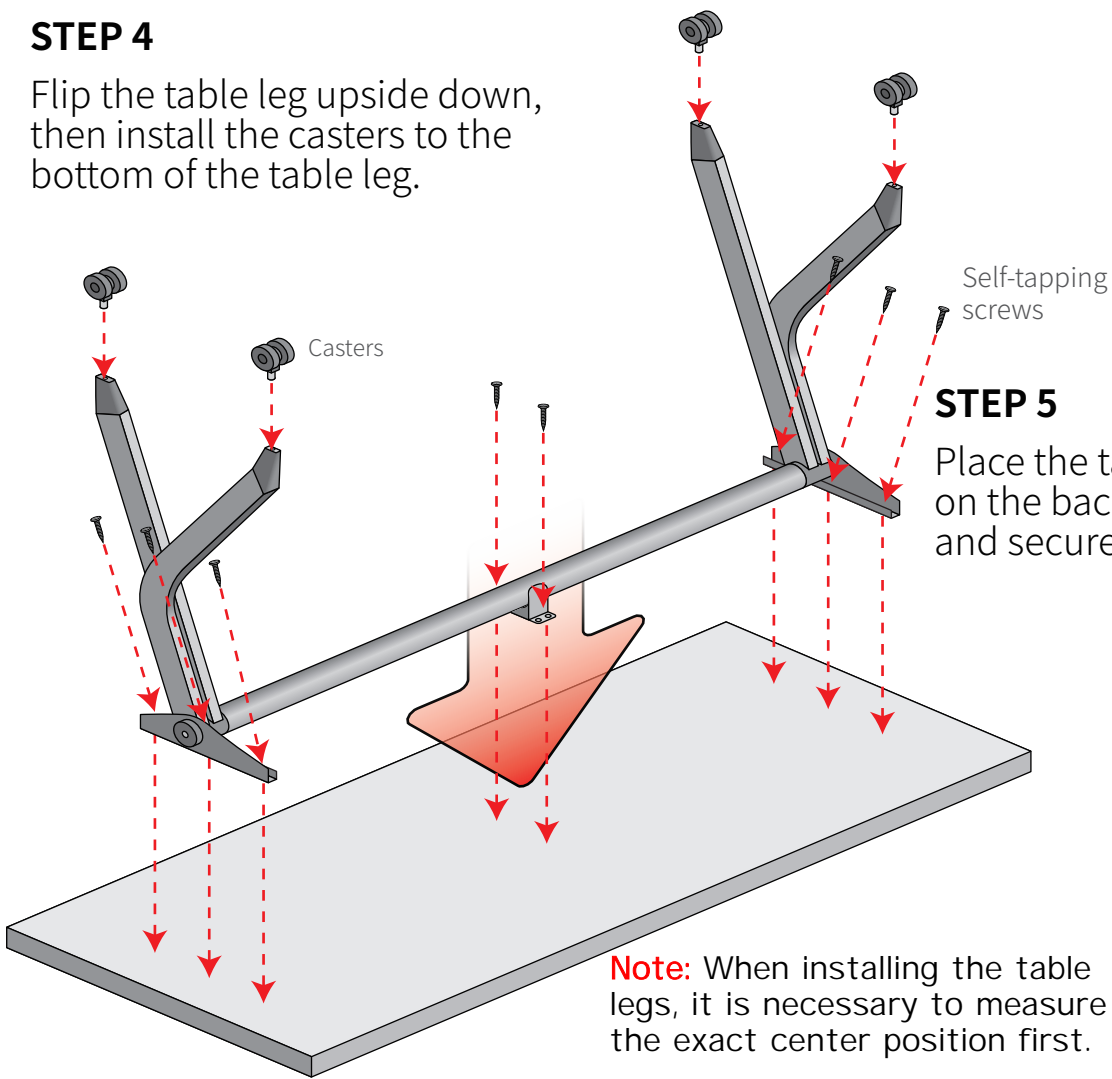
### STEP 3

Install the connecting block onto the Connecting tube.



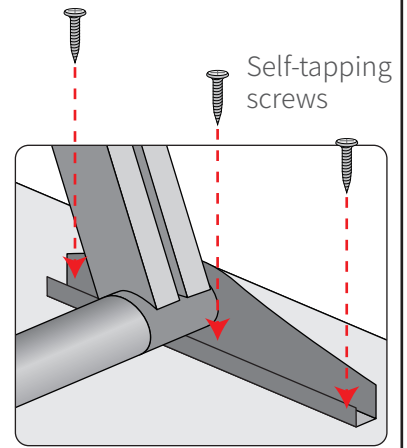
## STEP 4

Flip the table leg upside down, then install the casters to the bottom of the table leg.



## STEP 5

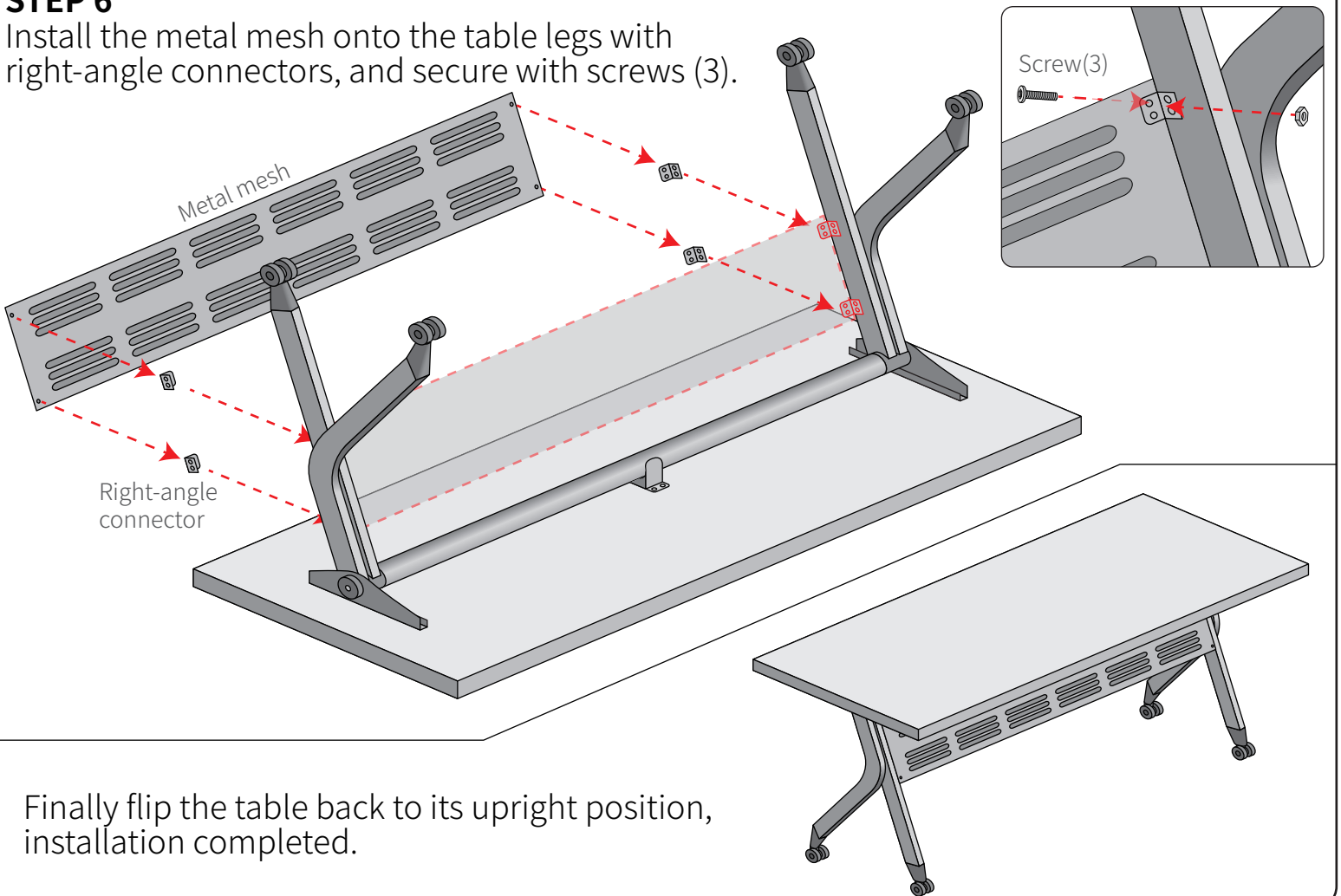
Place the table legs upside down on the back of the tabletop, and secure with self-tapping screws.



**Note:** When installing the table legs, it is necessary to measure the exact center position first.

## STEP 6

Install the metal mesh onto the table legs with right-angle connectors, and secure with screws (3).



Finally flip the table back to its upright position, installation completed.