

Bridge Kitchen Faucet with Side Sprayer

Installation instruction



MB/BN/BG

CARE INSTRUCTIONS

Rinse the product with clear water. Dry the product with a soft cloth.

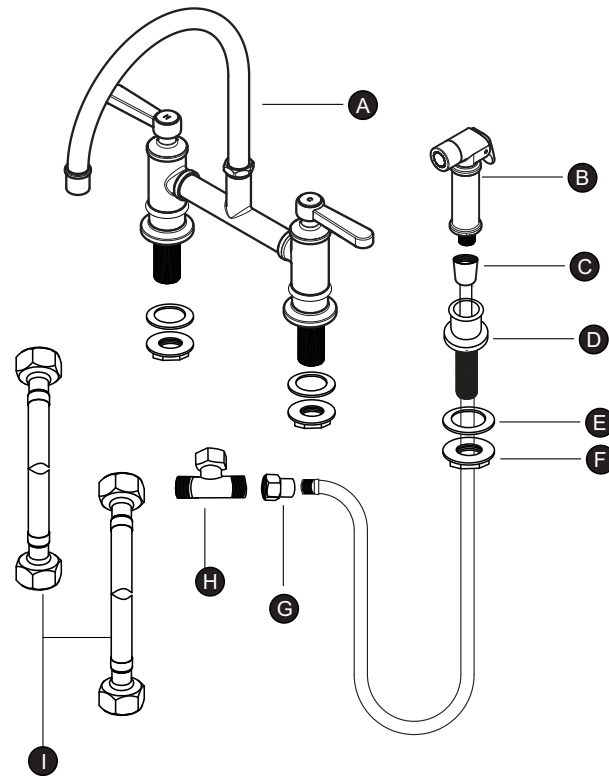
DO NOT:

Use abrasive cleansers, cloths, or paper towels. Use any cleaning agents containing acid, polish, wax, alcohol, ammonia, bleach, solvent or any other corrosive or harsh chemical cleansers.

RECOMMENDED TOOLS



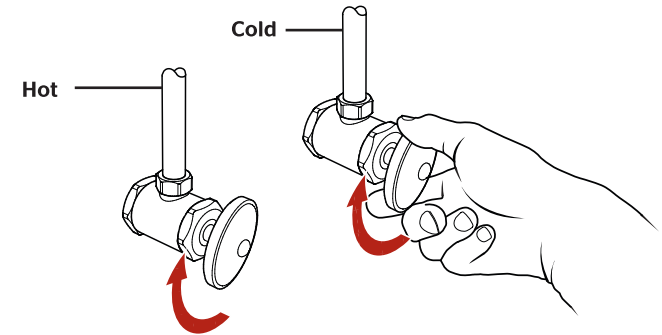
PARTS LIST



No.	Description
A	Faucet Body
B	Side Sprayer
C	Sprayer Hose
D	Sprayer Base
E	Rubber Washer
F	Mounting Nut
G	Plug (for NO side sprayer installation)
H	T adapter
I	Cold / hot supply line

1

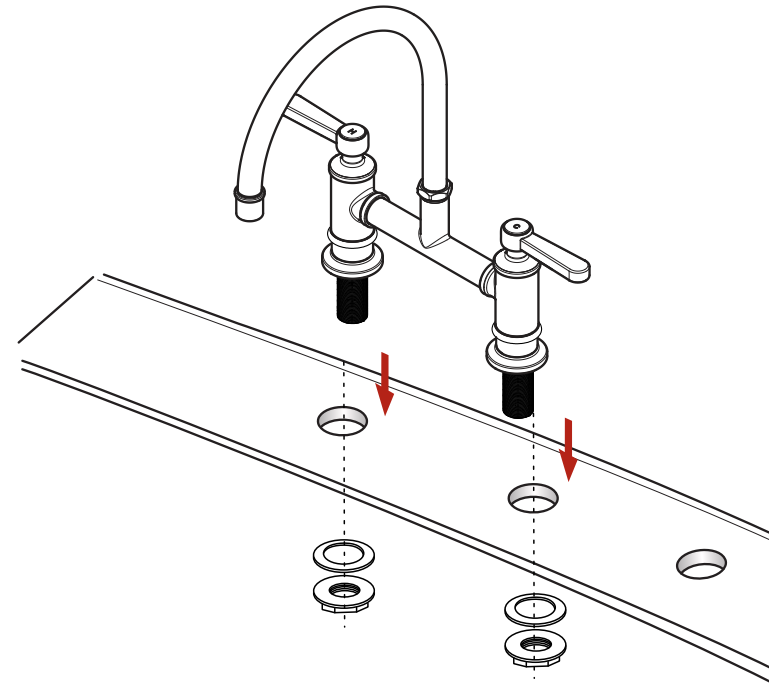
Turn Off Water Supply



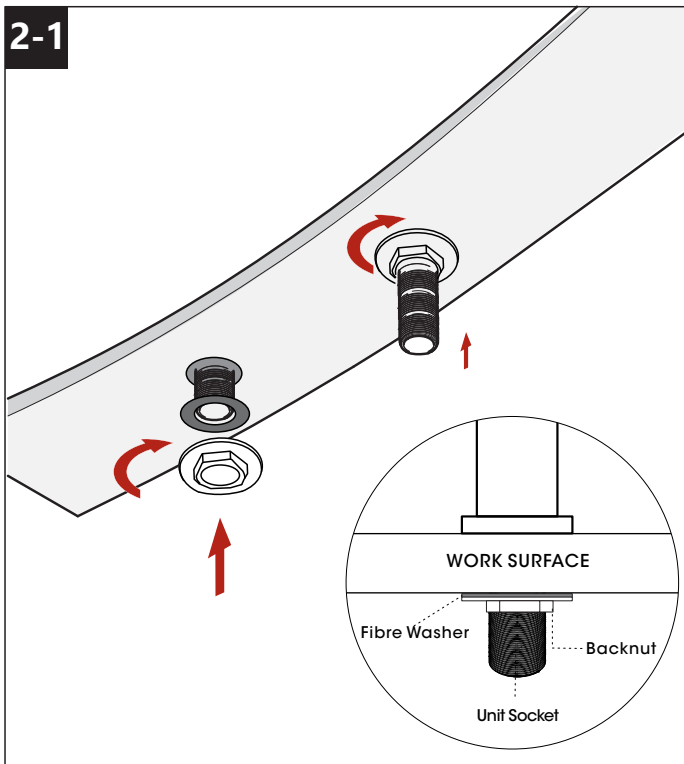
Locate water supply inlets and shut off the water supply valves. These are usually found under the sink or near the water meter. If you are replacing an existing faucet, remove the old faucet from the sink and clean the sink surface thoroughly.

2

Install Faucet

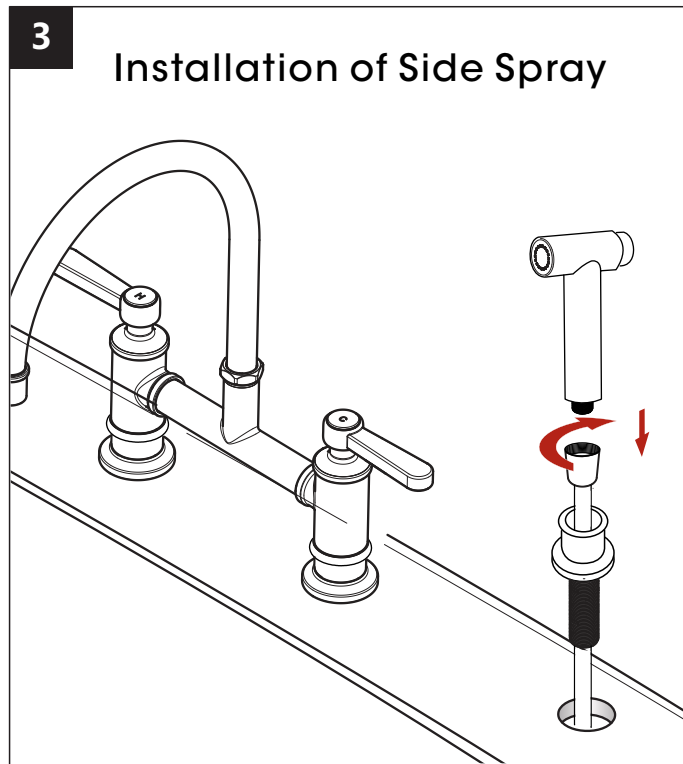


2-1

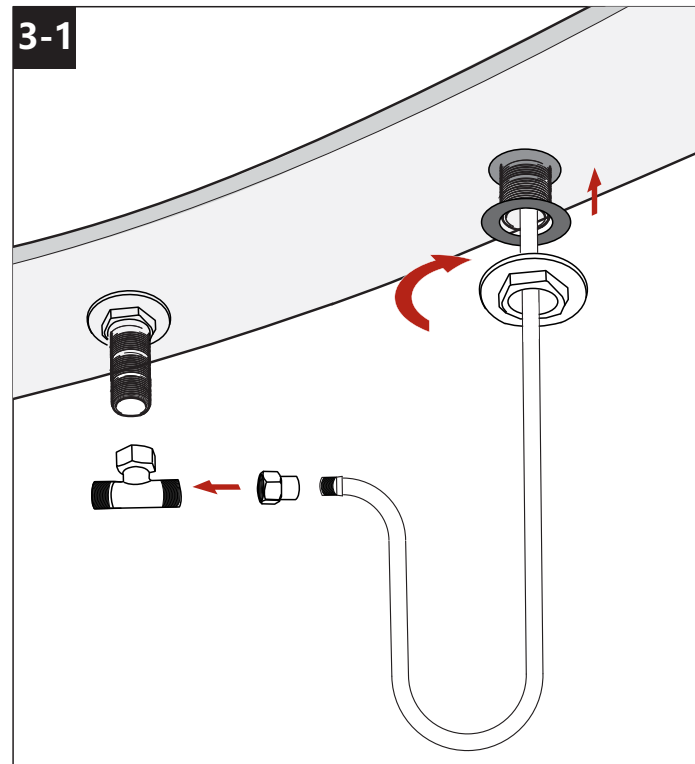


3

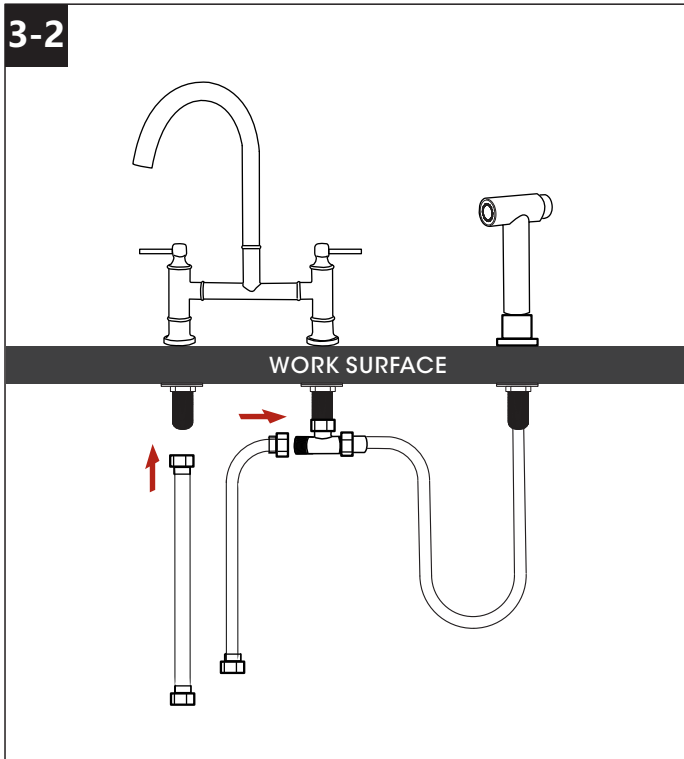
Installation of Side Spray



3-1



3-2



4

Connect Water Supply Lines

