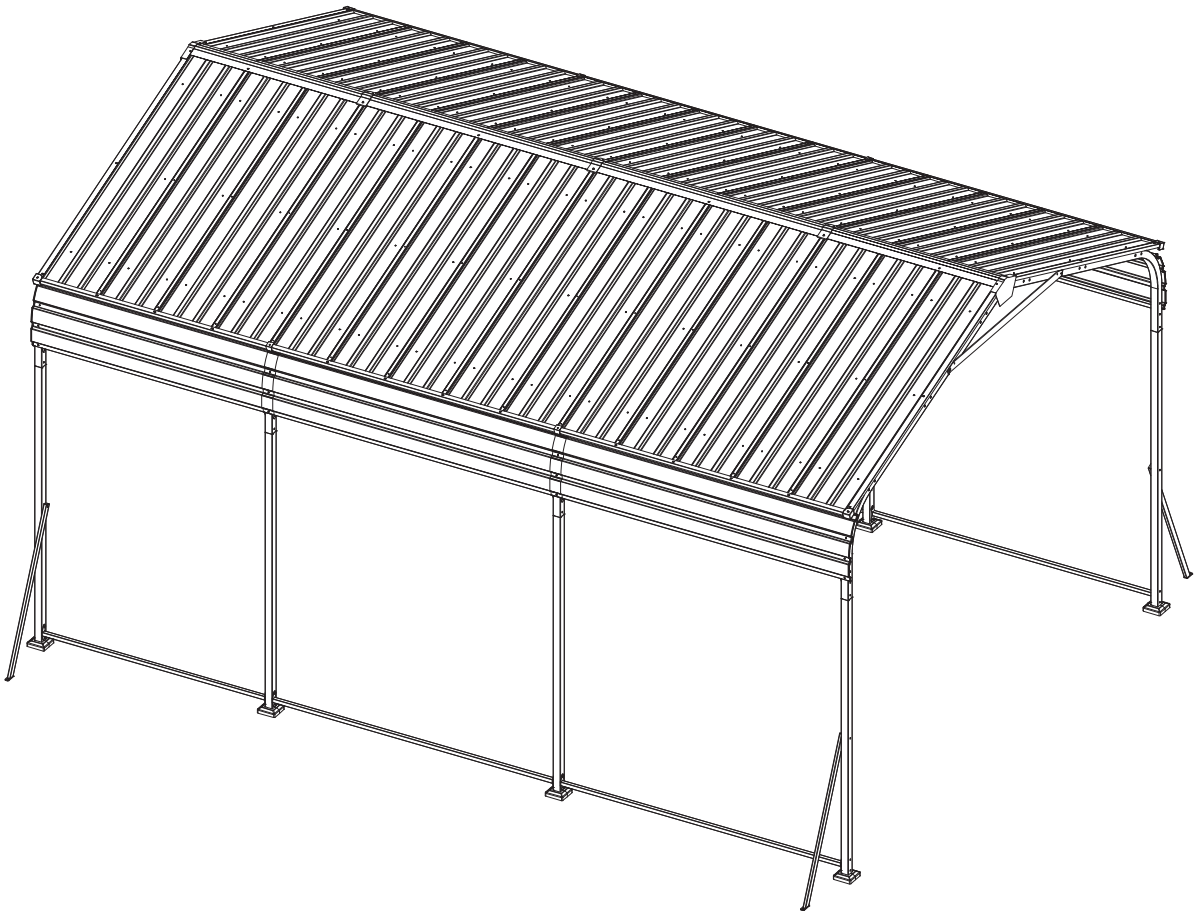


NUU  **GARDEN**[®]

———— ENJOY LIFE · SHARE HAPPINESS ————

INSTRUCTION MANUAL



Steel Carport

G003BK-01

INTRODUCTION

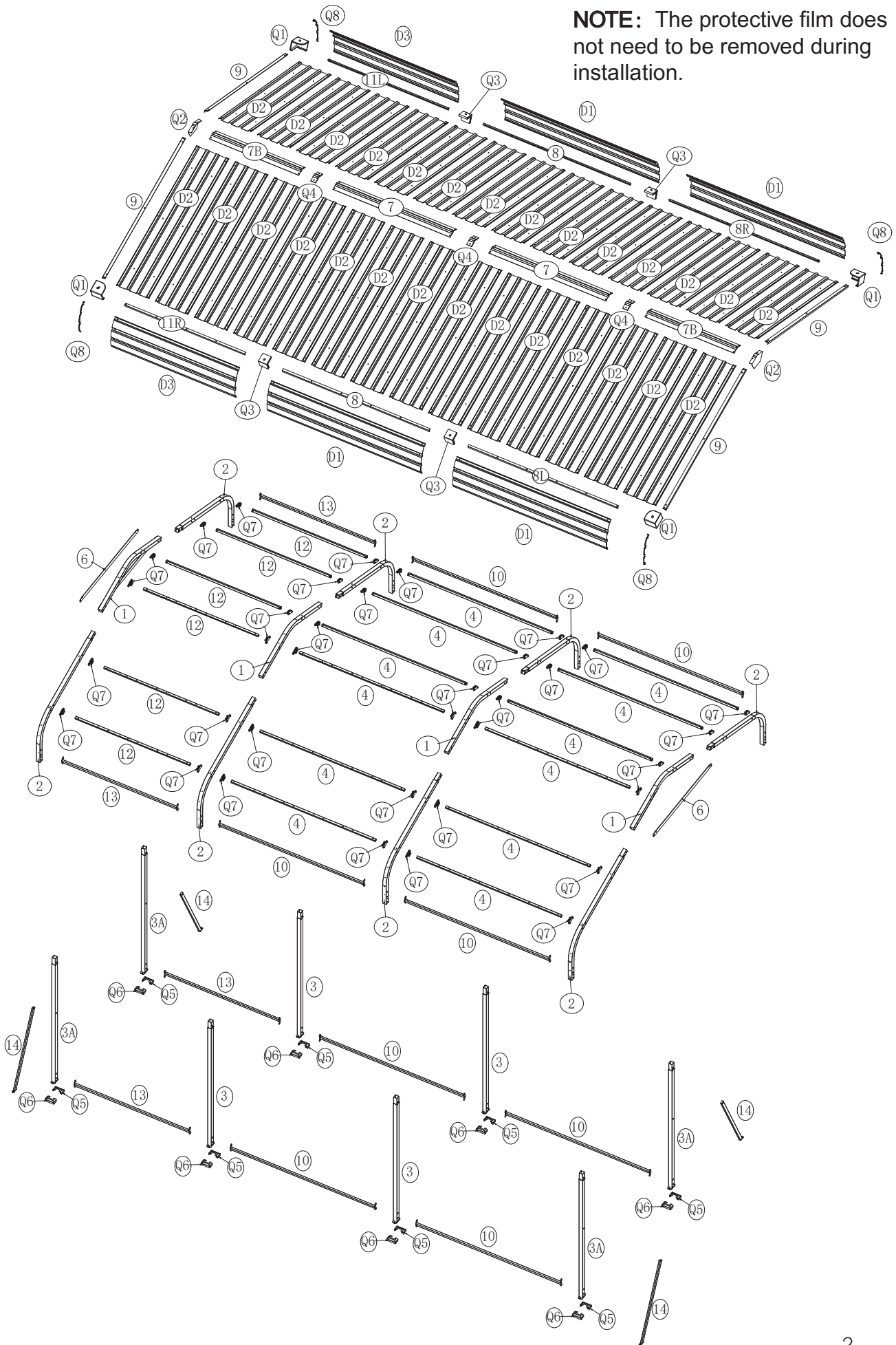
Thanks for purchasing and trusting NUUGARDEN with your home decorating plans. This product is a piece of furniture designed and made by NUUGARDEN Corp.

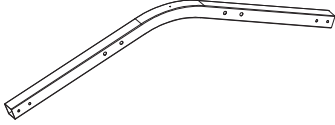

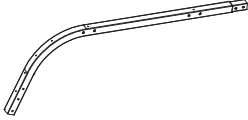

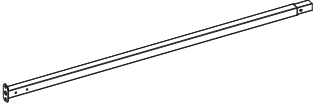

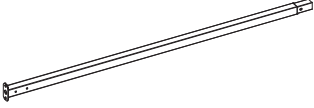







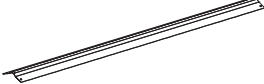


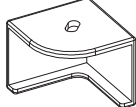

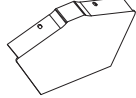

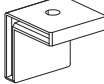

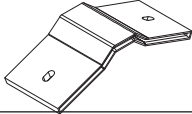

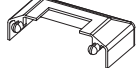
We are committed to R&D and innovation and creating the most exquisite and diverse outdoor series.

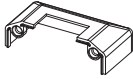
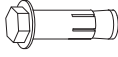
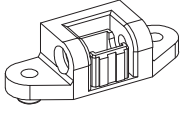


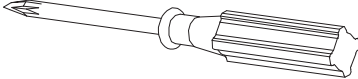


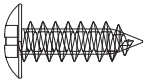
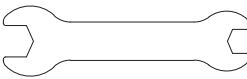



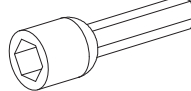
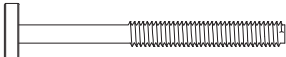
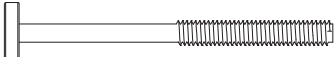




After unpacking and before every use, check whether the item shows any damage. In addition, check that you have all parts and hardware before assembly. If there is any damage, please do not use it and call customer service at (800) 257-7108 or email service@nuugarden.com. If you do not have all the parts lists, have your dealer contact us and we will send them to you immediately.

This furniture is for outdoor use only. Please take time to read and follow the instructions below. Then, use this item as described in this operating manual. We accept no liability for damage caused by improper use.

NOTE: The protective film does not need to be removed during installation.








NO.	PART.	Qty.	NO.	PART.	Qty.
1		4	11L		1
2		8	11R		1
3		4	12		6
3A		4	13		4
4		12	14		4
6		2	D1		4
7		2	D2		28
7B		2	D3		2
8		2	Q1		4
8L		1	Q2		2
8R		1	Q3		4
9		4	Q4		3
10		8	Q5		8

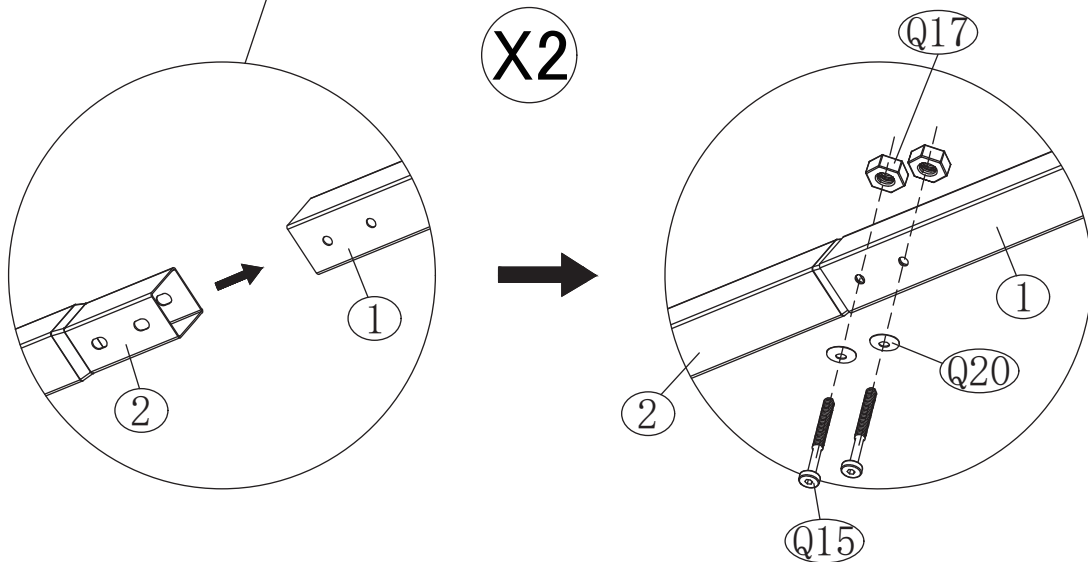
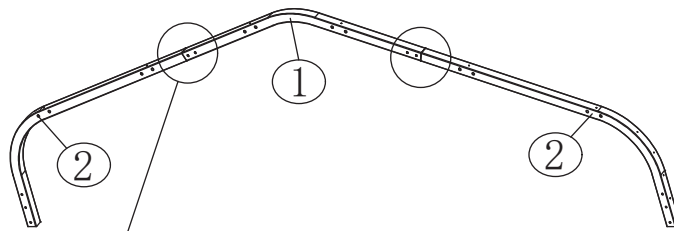
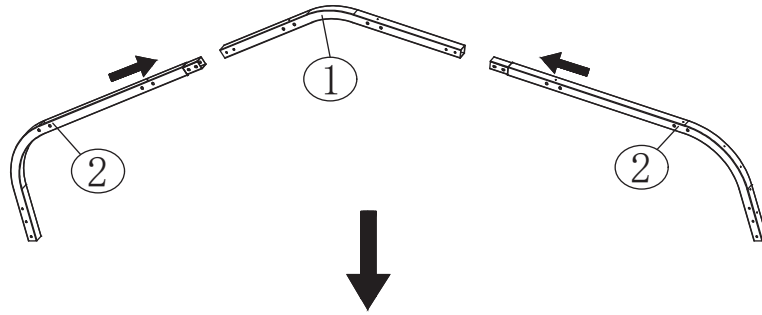
NO.	PART.	Qty.	NO.	PART.	Qty.
Q6		8	Q21		20
Q7		36	Q22		2
Q8		4	Q23		1
Q9		104	Q24		1
Q32		150+10	Q25		1
Q13		172+10	Q26		1
Q14		36+3	Q27		1
Q15		80+3			
Q16		28+2			
Q17		144+5			
Q18		150+10			
Q19		140+10			
Q20		108+10			

ASSEMBLY INSTRUCTIONS

CAVEAT

Note: Please tighten the bolts after each installation step.

NO.	PART.	Qty.
1		2
2		4
Q15		8
Q17		8
Q20		8







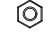

STEP 1

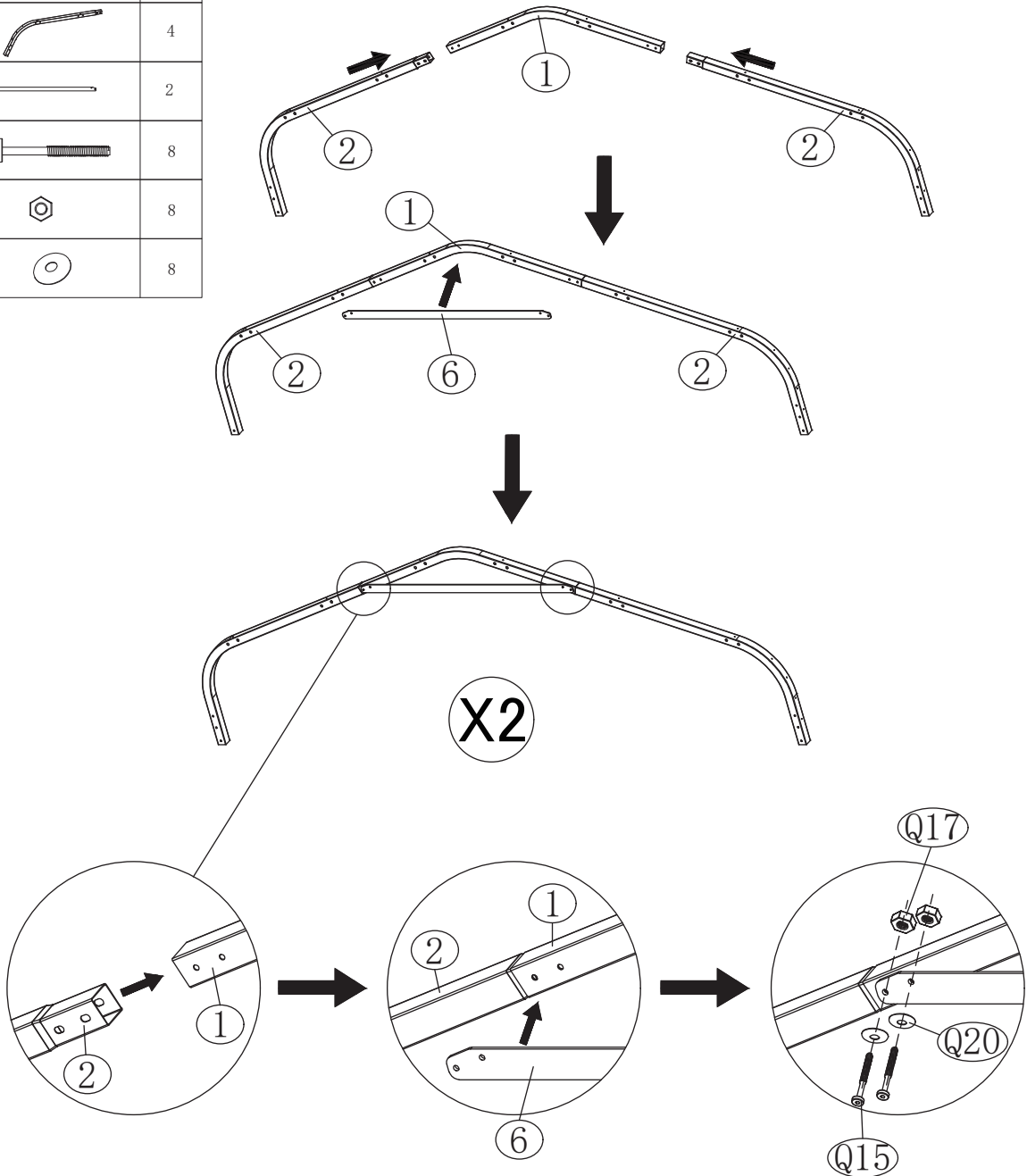
Attach support rod (1) to 2 support rods (2) using 4 bolts (Q15), 4 washers (Q20) and 4 nuts (Q17). Repeat the installation twice.

ASSEMBLY INSTRUCTIONS

CAVEAT

Note: Please tighten the bolts after each installation step.

NO.	PART.	Qty.
1		2
2		4
6		2
Q15		8
Q17		8
Q20		8




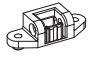


STEP 2

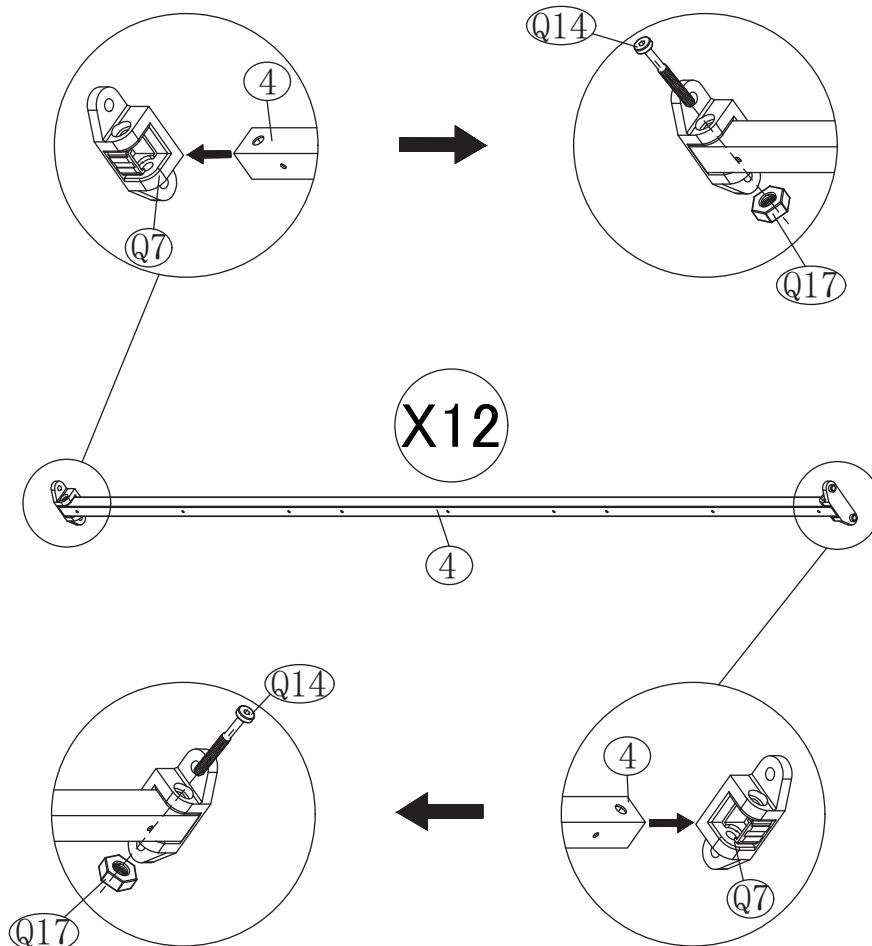
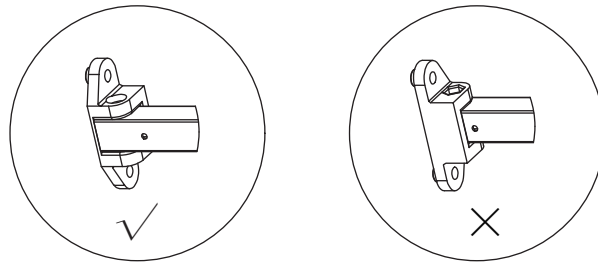
After inserting the 2 support rods (2) into the support rod (1), connect the support rod (6) using 4 bolts (Q15), 4 washers (Q20) and 4 nuts (Q17). Repeat the installation twice.

ASSEMBLY INSTRUCTIONS

CAVEAT

Note: Please tighten the bolts after each installation step.

NO.	PART.	Qty.
4		12
Q7		24
Q14		24
Q17		24







STEP 3

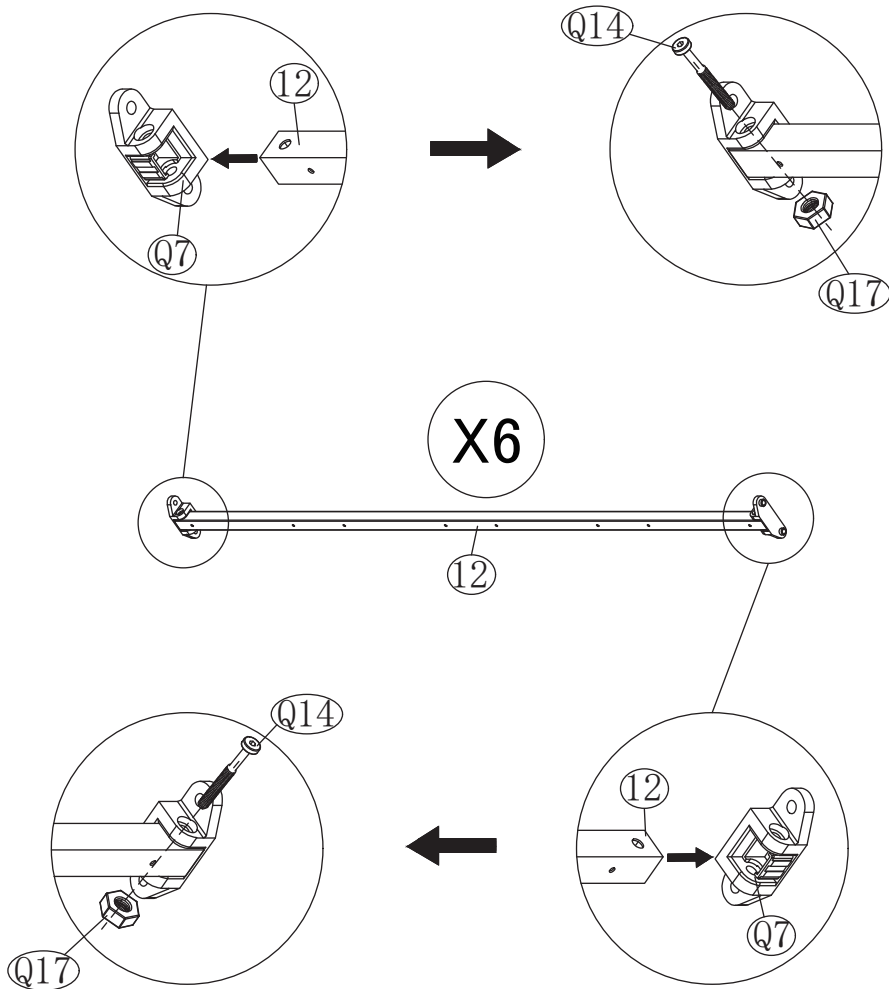
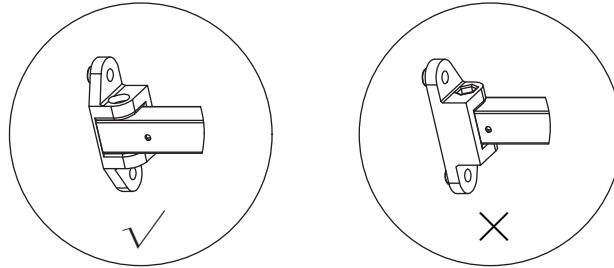
Install 2 parts (Q7) at both ends of the support rod (4) with 2 bolts (Q14) and 2 nuts (Q17). Repeat the installation 12 times.

ASSEMBLY INSTRUCTIONS

CAVEAT

Note: Please tighten the bolts after each installation step.

NO.	PART.	Qty.
12		6
Q7		12
Q14		12
Q17		12







STEP 4

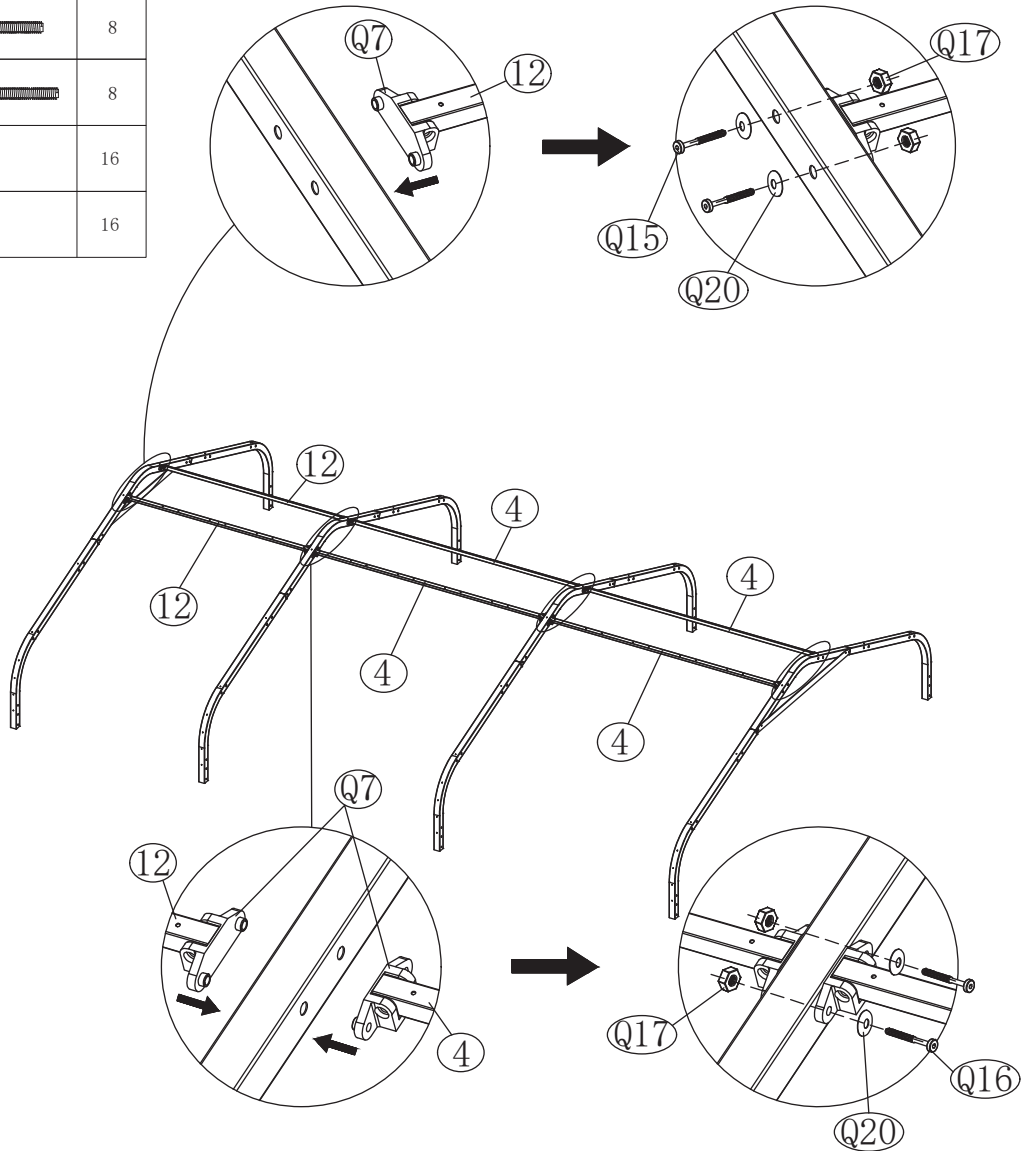
Install 2 parts (Q7) at both ends of the support rod (12) with 2 bolts (Q14) and 2 nuts (Q17). Repeat the installation 6 times.

ASSEMBLY INSTRUCTIONS

CAVEAT

Note: Please tighten the bolts after each installation step.

NO.	PART.	Qty.
Q15		8
Q16		8
Q17		16
Q20		16



STEP 5





Using 8 bolts (Q15), 8 washers (Q20) and 8 nuts (Q17) for connecting the support rods at both ends. Using 8 bolts (Q16), 8 washers (Q20) and 8 nuts (Q17) for connecting the middle support rod.

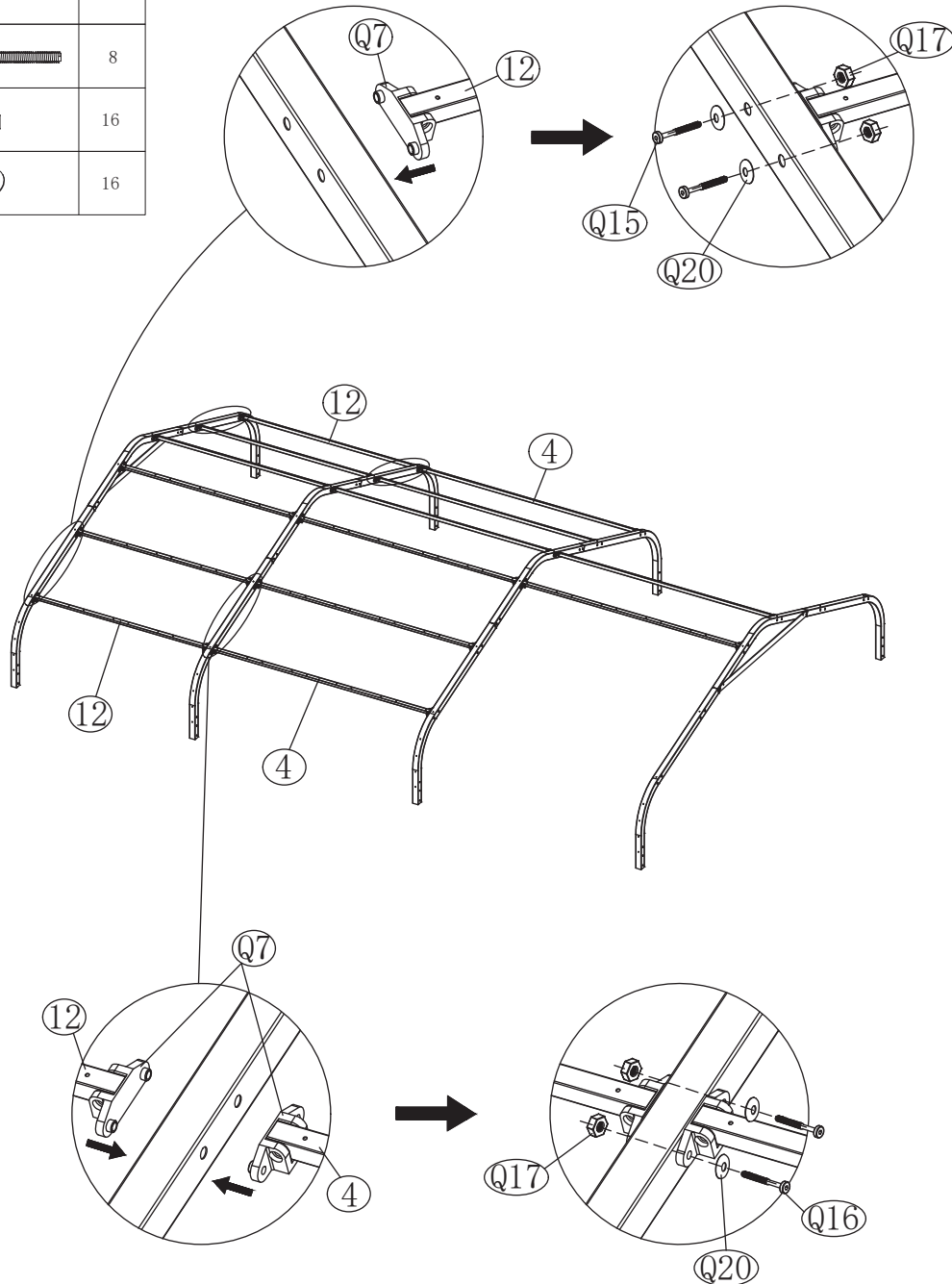
Note that the support rods with and without crossbars are installed in a staggered arrangement.

ASSEMBLY INSTRUCTIONS

CAVEAT

Note: Please tighten the bolts after each installation step.

NO.	PART.	Qty.
Q15		8
Q16		8
Q17		16
Q20		16







STEP 6

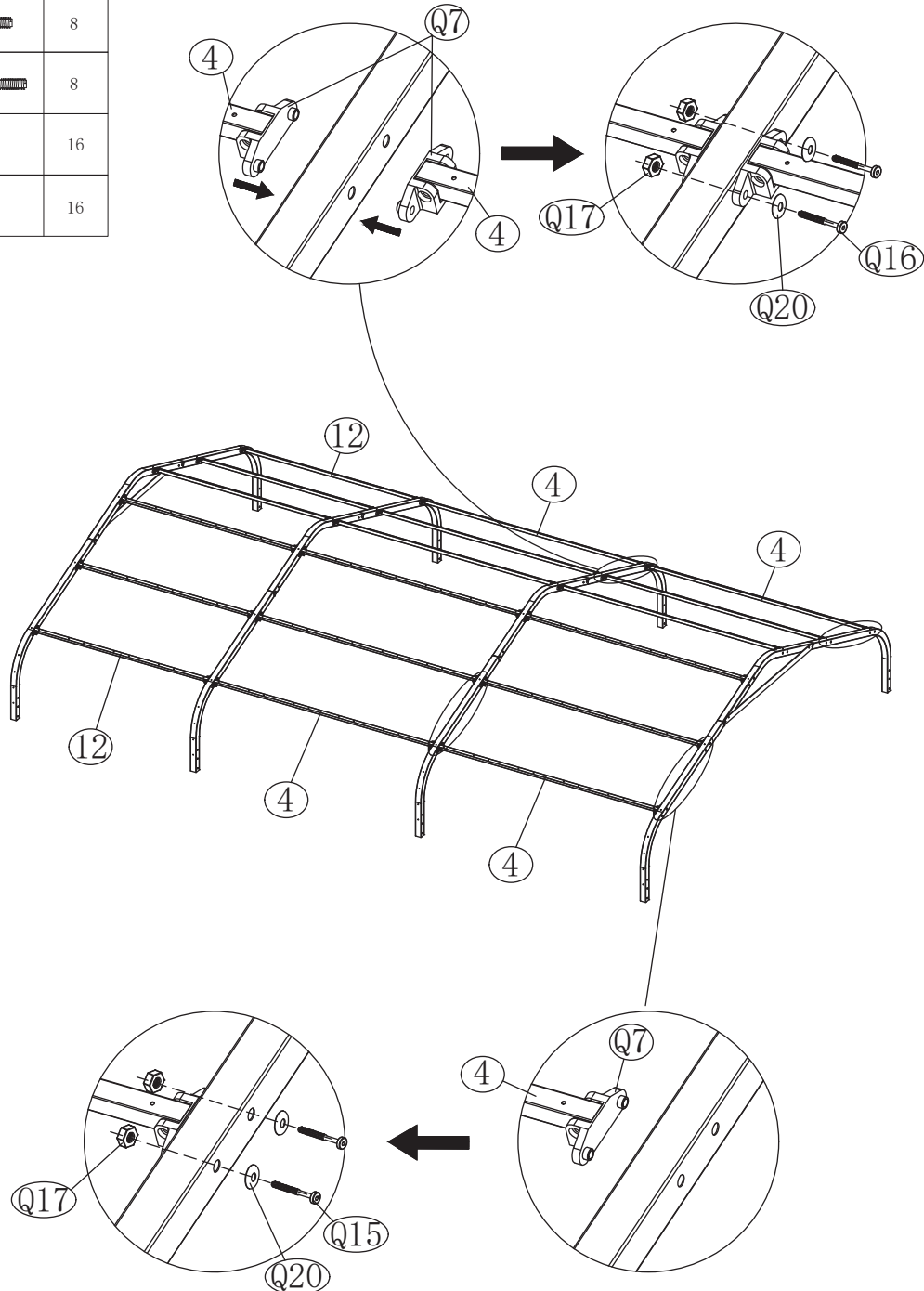
The left end support rod is installed with 8 bolts (Q15), 8 washers (Q20) and 8 nuts (Q17).
 The middle support rod is installed with 8 bolts (Q16), 8 washers (Q20) and 8 nuts (Q17).

ASSEMBLY INSTRUCTIONS

CAVEAT

Note: Please tighten the bolts after each installation step.

NO.	PART.	Qty.
Q15		8
Q16		8
Q17		16
Q20		16








STEP 7

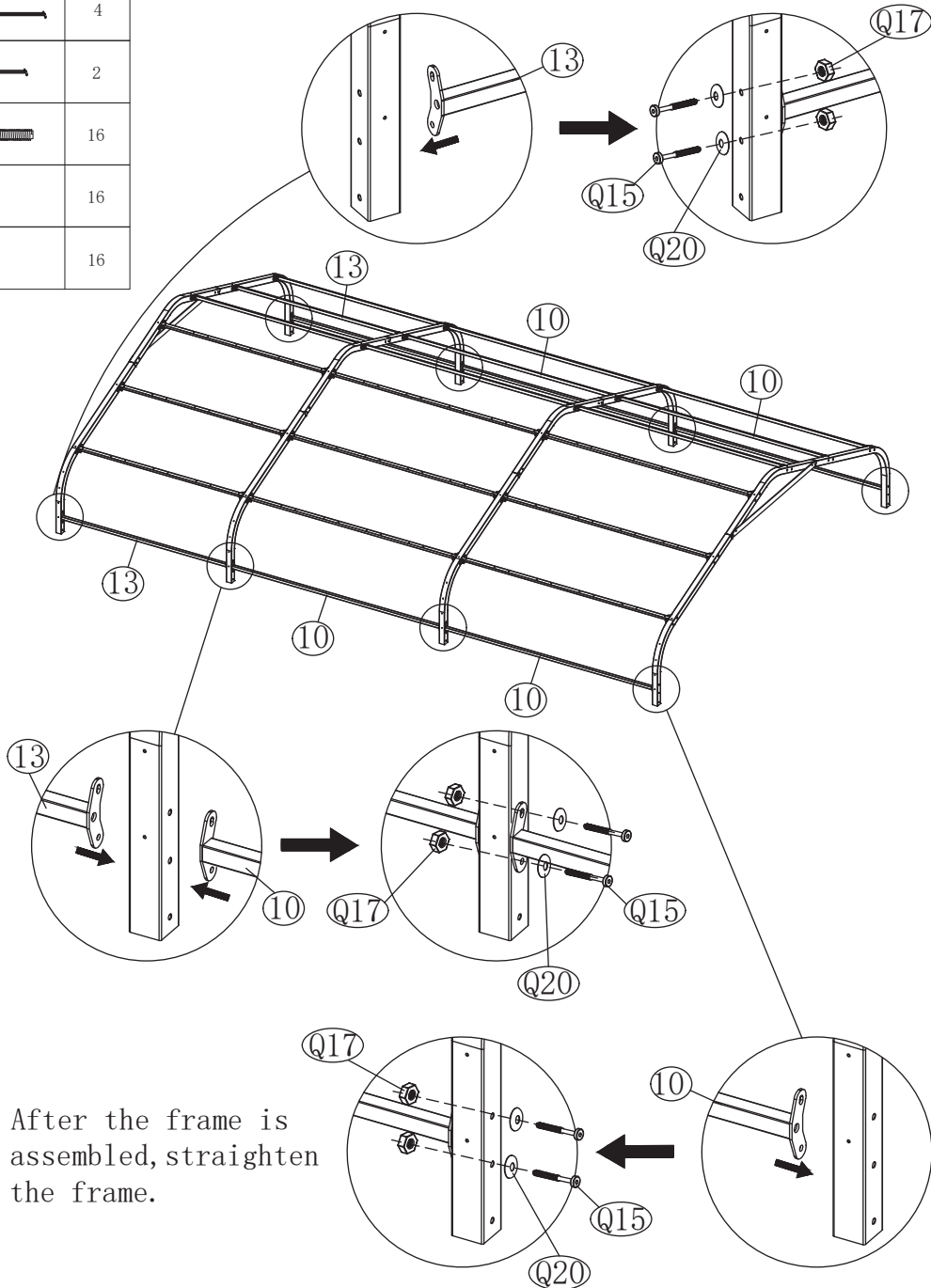
The middle support rod is installed with 8 bolts (Q16), 8 washers (Q20) and 8 nuts (Q17).
 The right end support rod is installed with 8 bolts (Q15), 8 washers (Q20) and 8 nuts (Q17).

ASSEMBLY INSTRUCTIONS

CAVEAT

Note: Please tighten the bolts after each installation step.

NO.	PART.	Qty.
10		4
13		2
Q15		16
Q17		16
Q20		16



After the frame is assembled, straighten the frame.

STEP 8

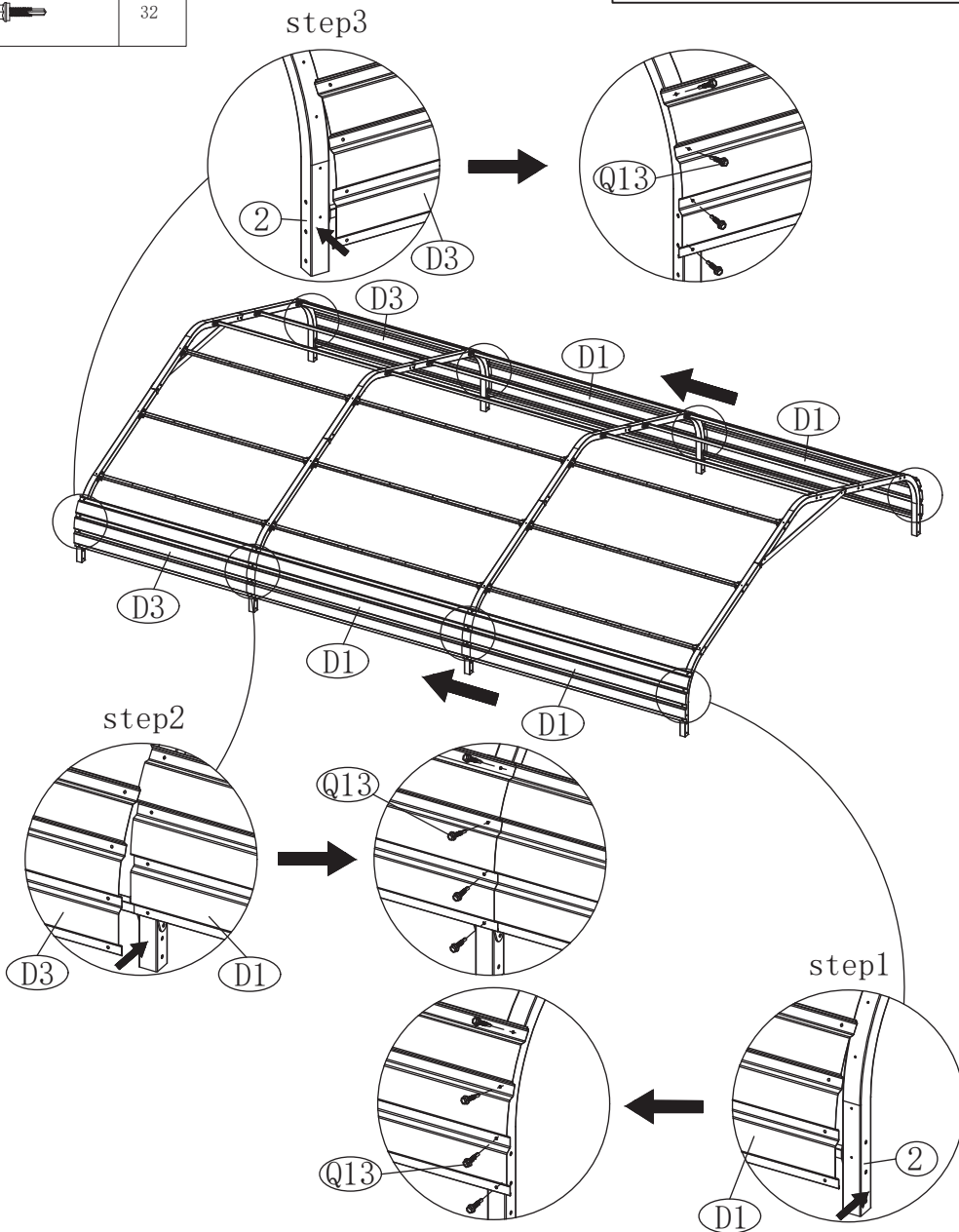
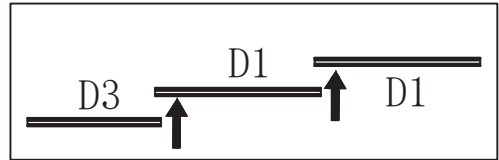
Install support rods (10&13) with 16 bolts (Q15), 16 washers (Q20) and 16 nuts (Q17).
After the frame is assembled, straighten the frame.

ASSEMBLY INSTRUCTIONS

CAVEAT

Note: Please tighten the bolts after each installation step.

NO.	PART.	Qty.
D1		4
D3		2
Q13		32






STEP 9

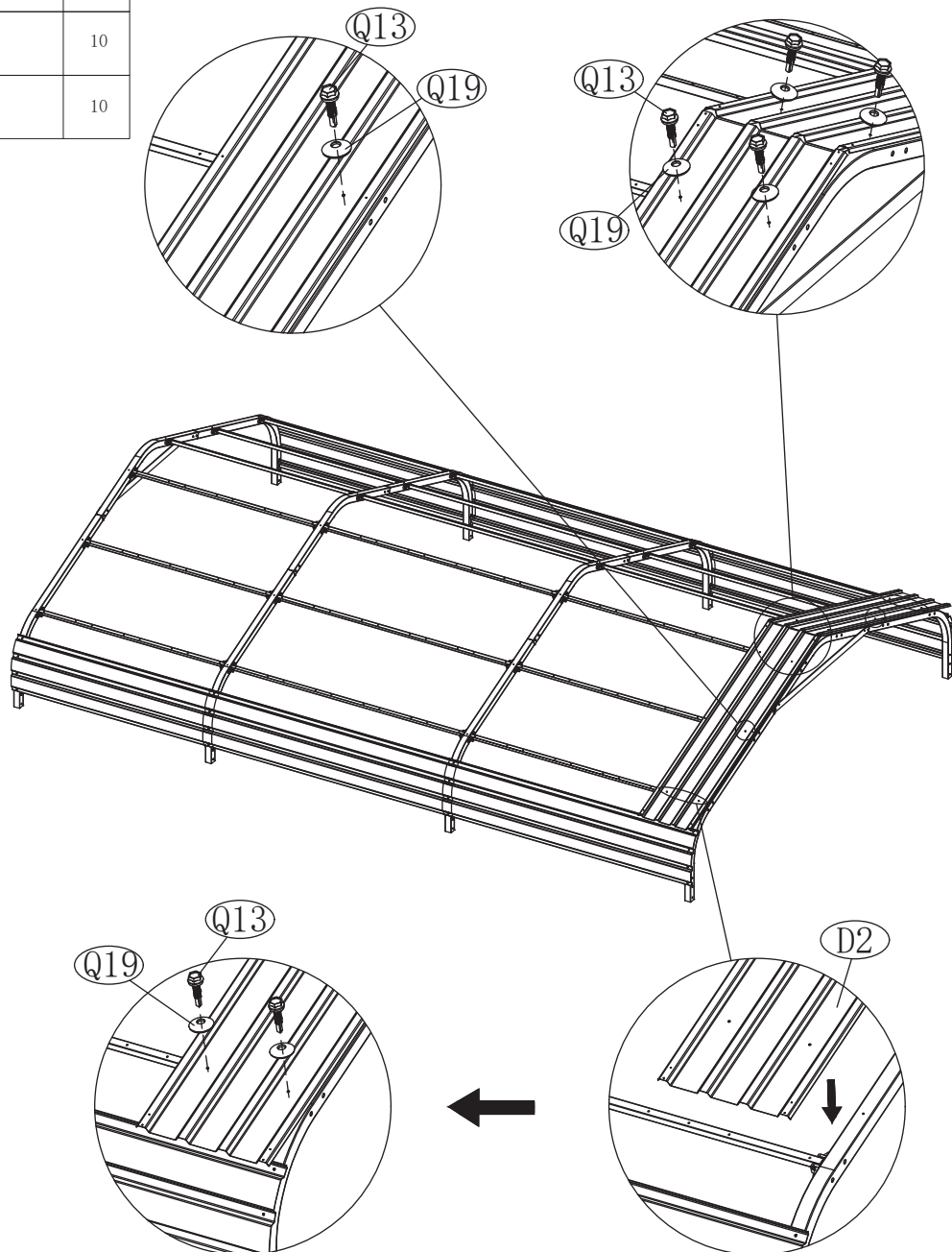
Installing tiles (D1&D3) using 32 bolts (Q13).

ASSEMBLY INSTRUCTIONS

CAVEAT

Note: Please tighten the bolts after each installation step.

NO.	PART.	Qty.
D2		2
Q13		10
Q19		10








STEP 10

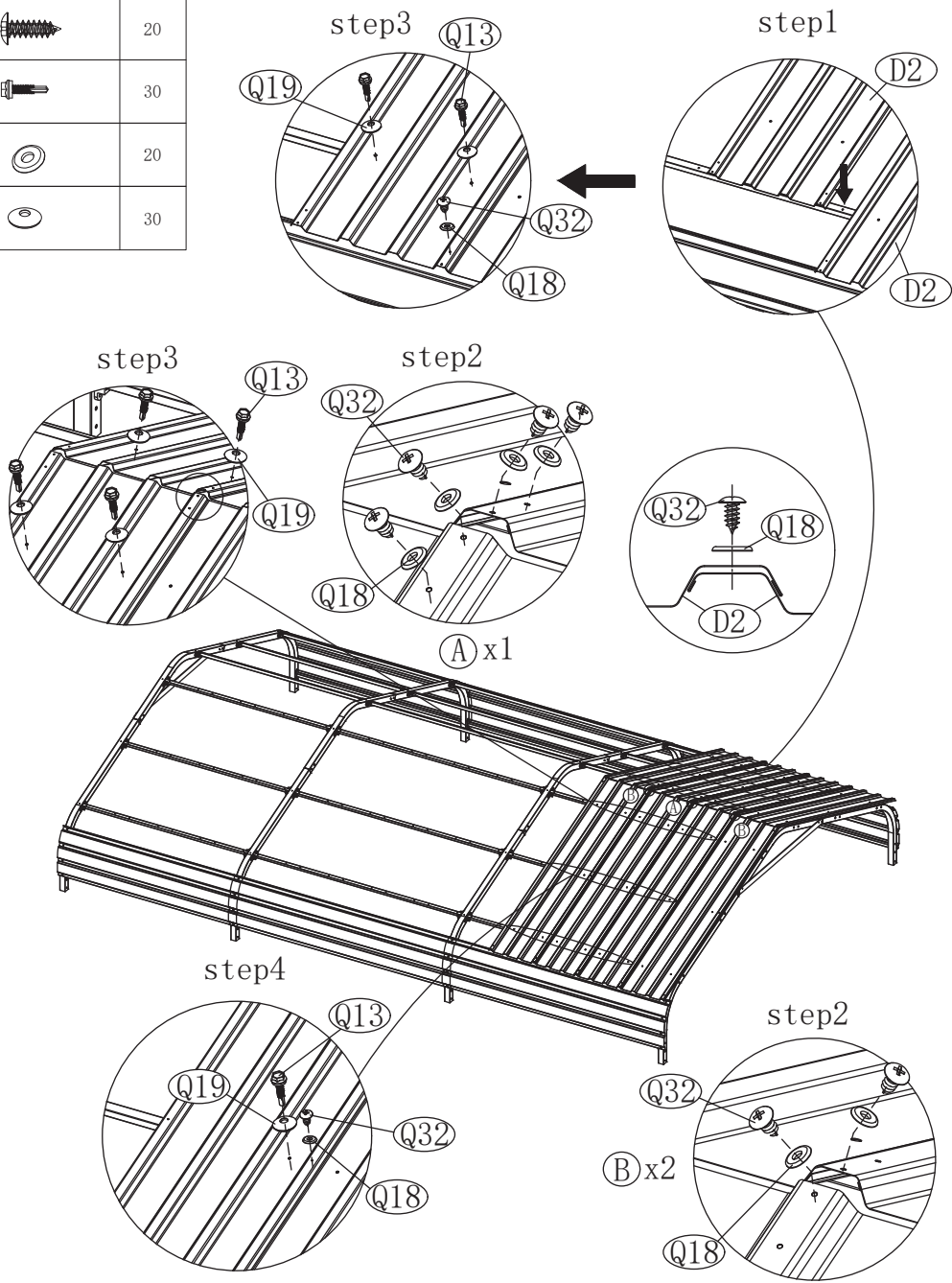
Installing tiles (D2) using 10 bolts (Q13) and 10 washers (Q19).

ASSEMBLY INSTRUCTIONS

CAVEAT

Note: Please tighten the bolts after each installation step.

NO.	PART.	Qty.
D2		6
Q32		20
Q13		30
Q18		20
Q19		30






STEP 11

Installing tiles (D2) using 20 screws (Q32), 30 bolts (Q13), 20 washers (Q18) and 30 washers (Q19). As shown in the figure, the installation is divided into four steps.

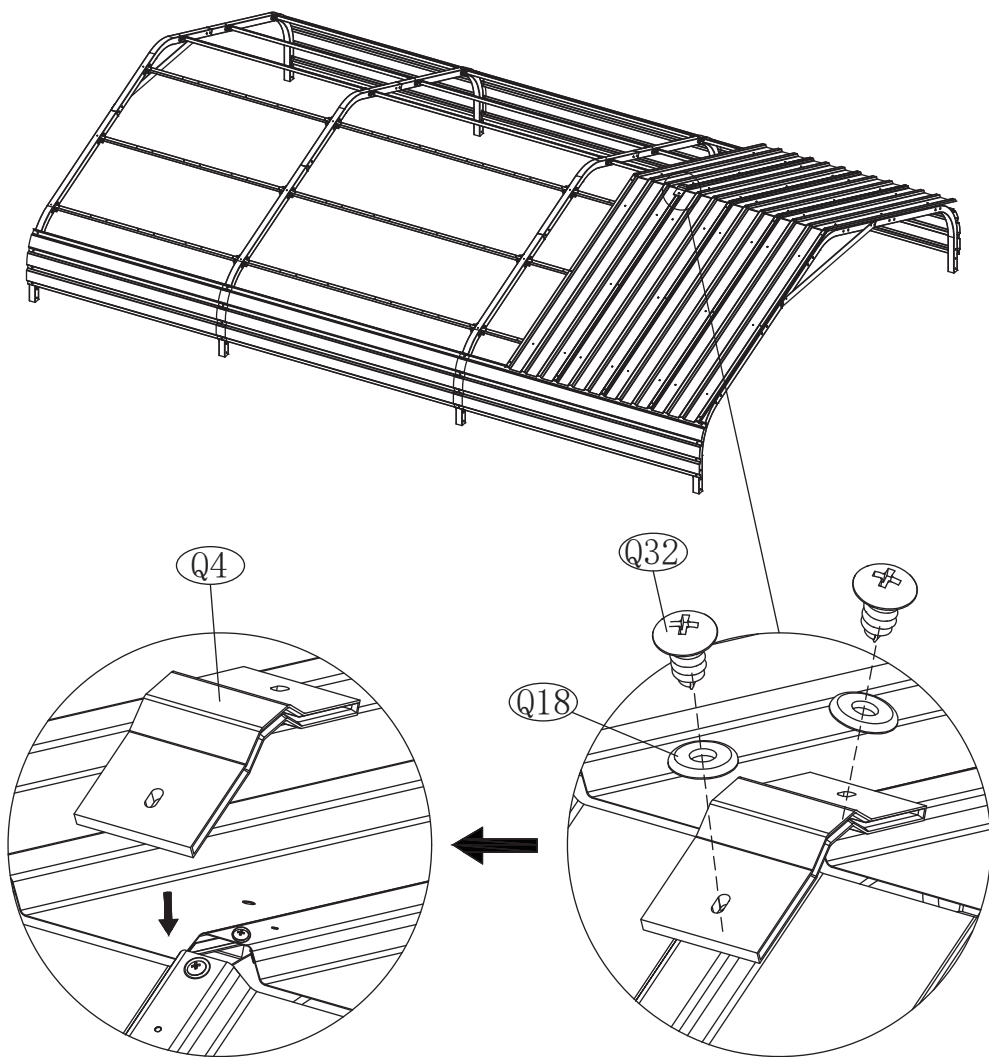
ASSEMBLY INSTRUCTIONS

CAVEAT

Note: Please tighten the bolts after each installation step.

NO.	PART.	Qty.
Q32		2
Q18		2
Q4		1

D2 Install plastic Q4 between the 3th and 4th pieces








STEP 12

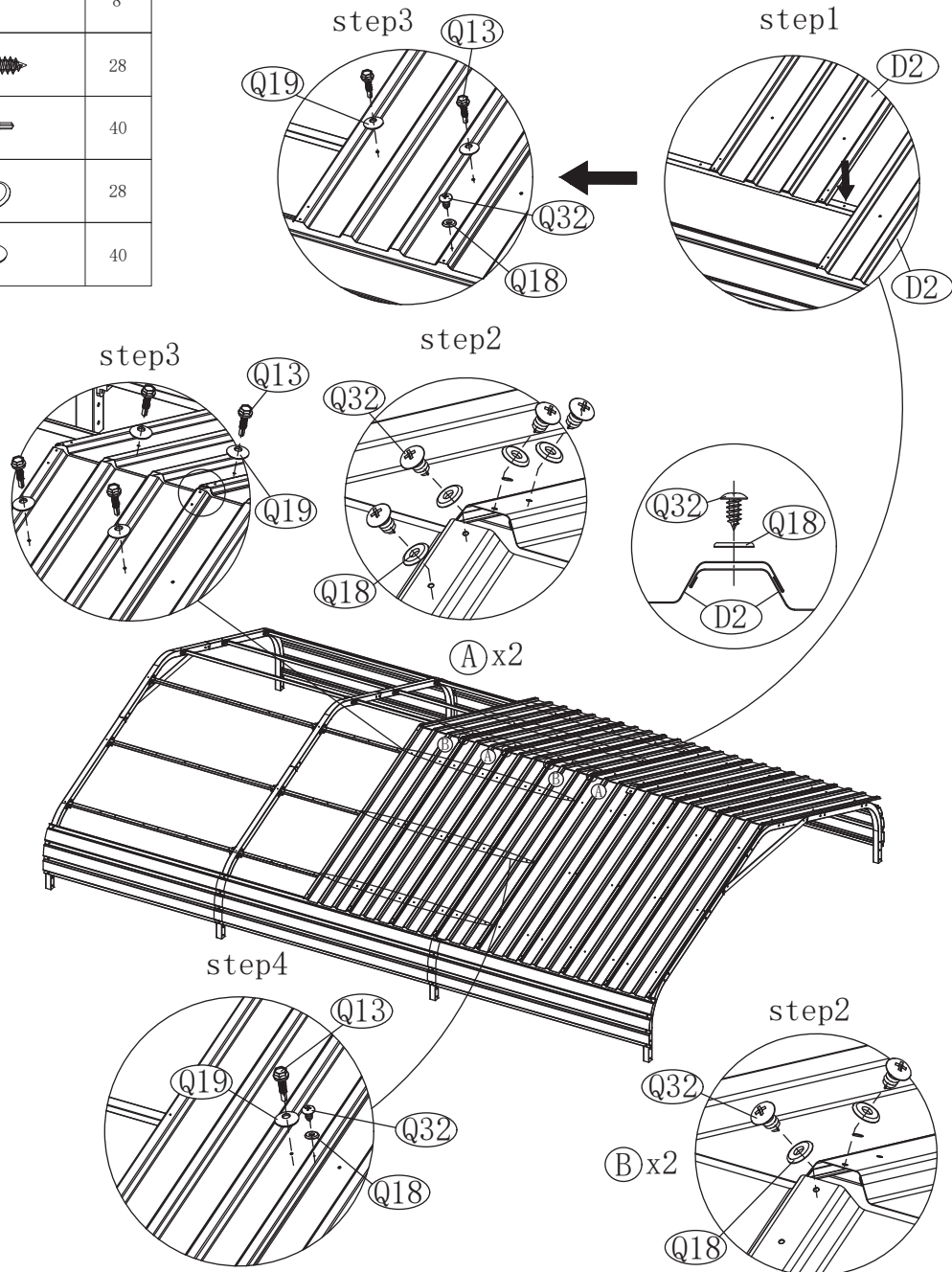
Install connector (Q4) between the 3th and 4th tiles of tile (D2) using 2 screws (Q32) and 2 washers (Q18).

ASSEMBLY INSTRUCTIONS

CAVEAT

Note: Please tighten the bolts after each installation step.

NO.	PART.	Qty.
D2		8
Q32		28
Q13		40
Q18		28
Q19		40







STEP 13

Repeat step 11 to install the second area of tiles.

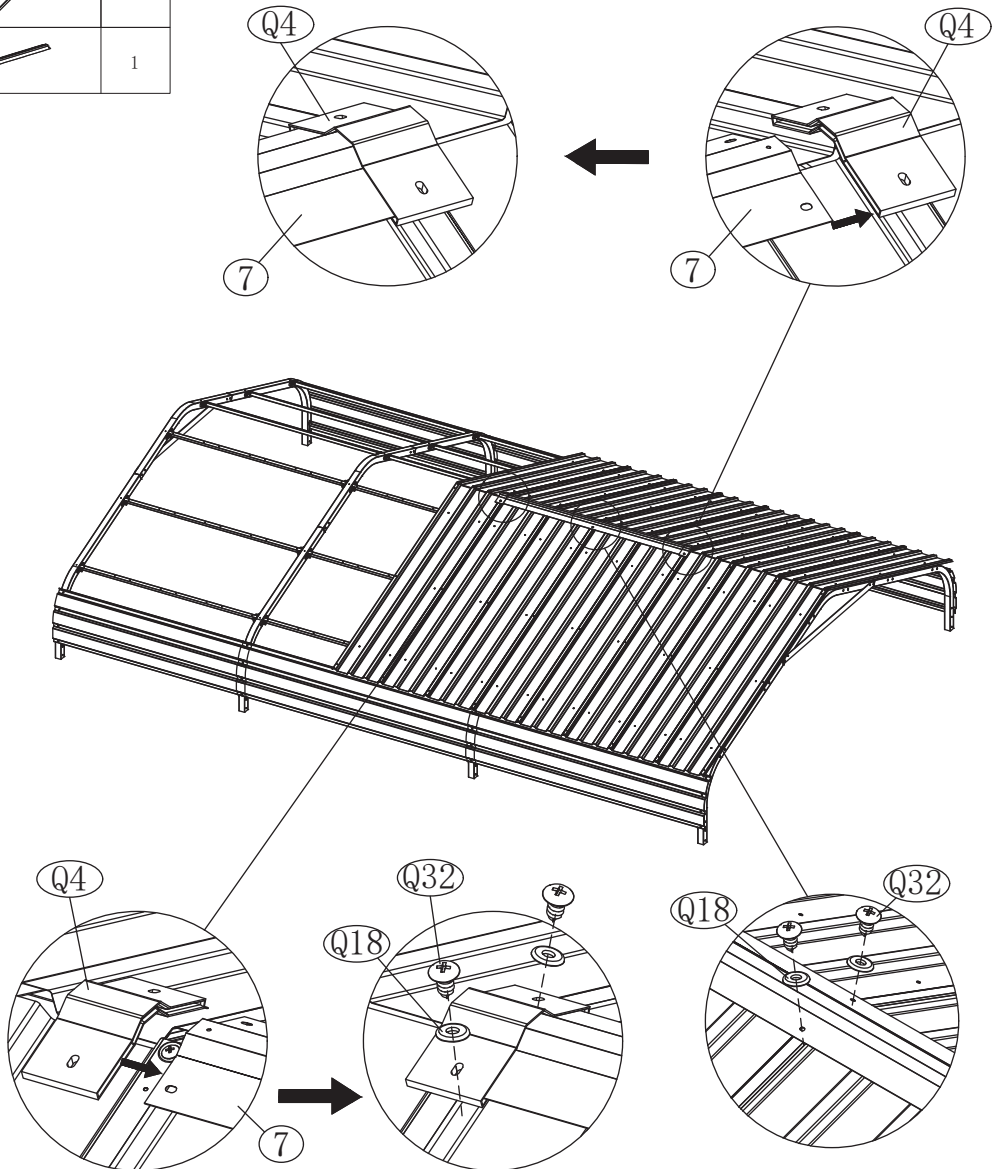
ASSEMBLY INSTRUCTIONS

CAVEAT

Note: Please tighten the bolts after each installation step.

NO.	PART.	Qty.
Q32		4
Q18		4
Q4		1
7		1

D2 Install plastic Q4 between the 7th and 8th pieces








STEP 14

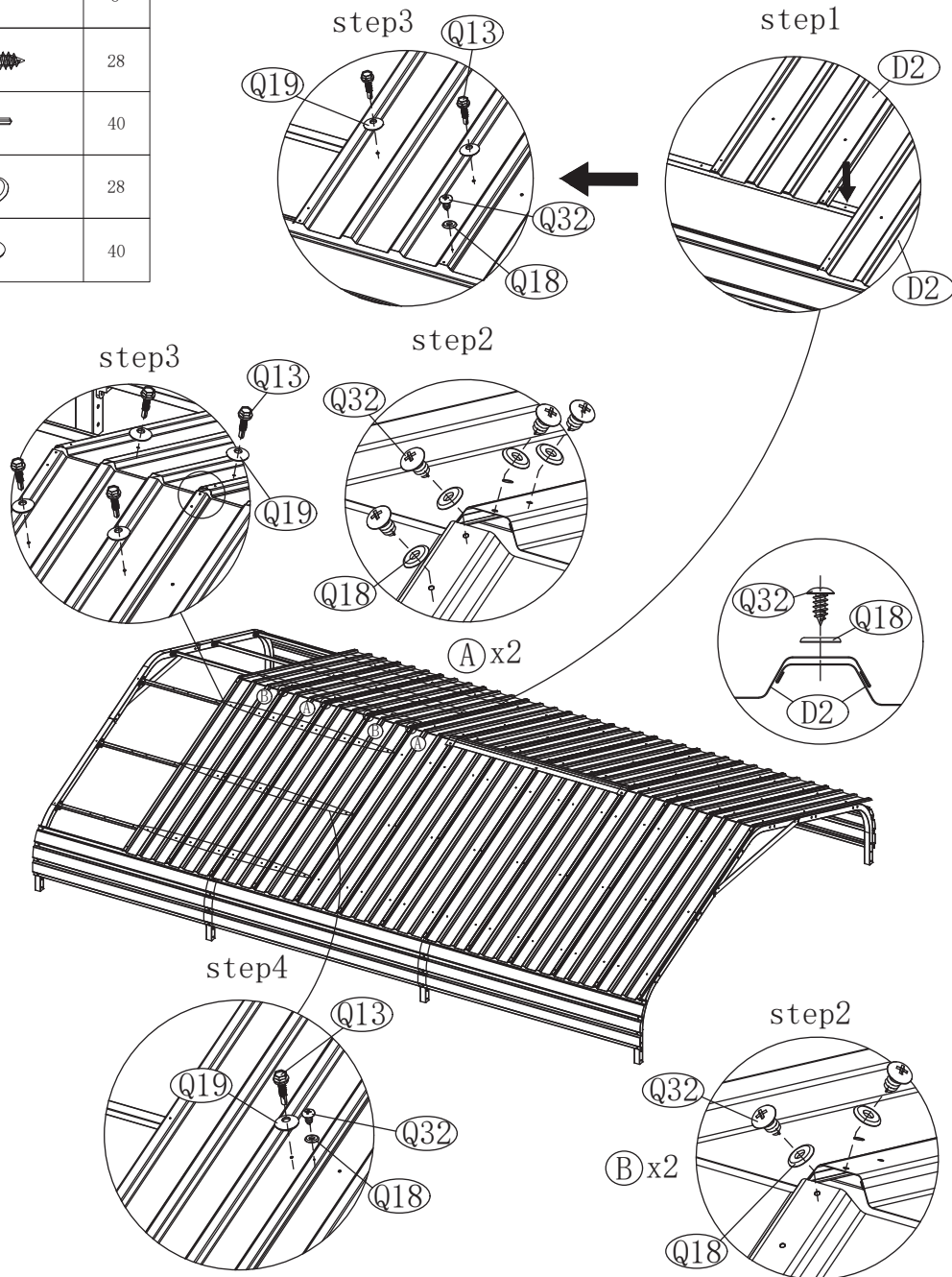
Install connector (Q4) between the 7th and 8th tiles of tile (D2) with support rod (7) using 4 screws (Q32) and 4 washers (Q18).

ASSEMBLY INSTRUCTIONS

CAVEAT

Note: Please tighten the bolts after each installation step.

NO.	PART.	Qty.
D2		8
Q32		28
Q13		40
Q18		28
Q19		40







STEP 15

Repeat step 11 to install the tiles for the third area.

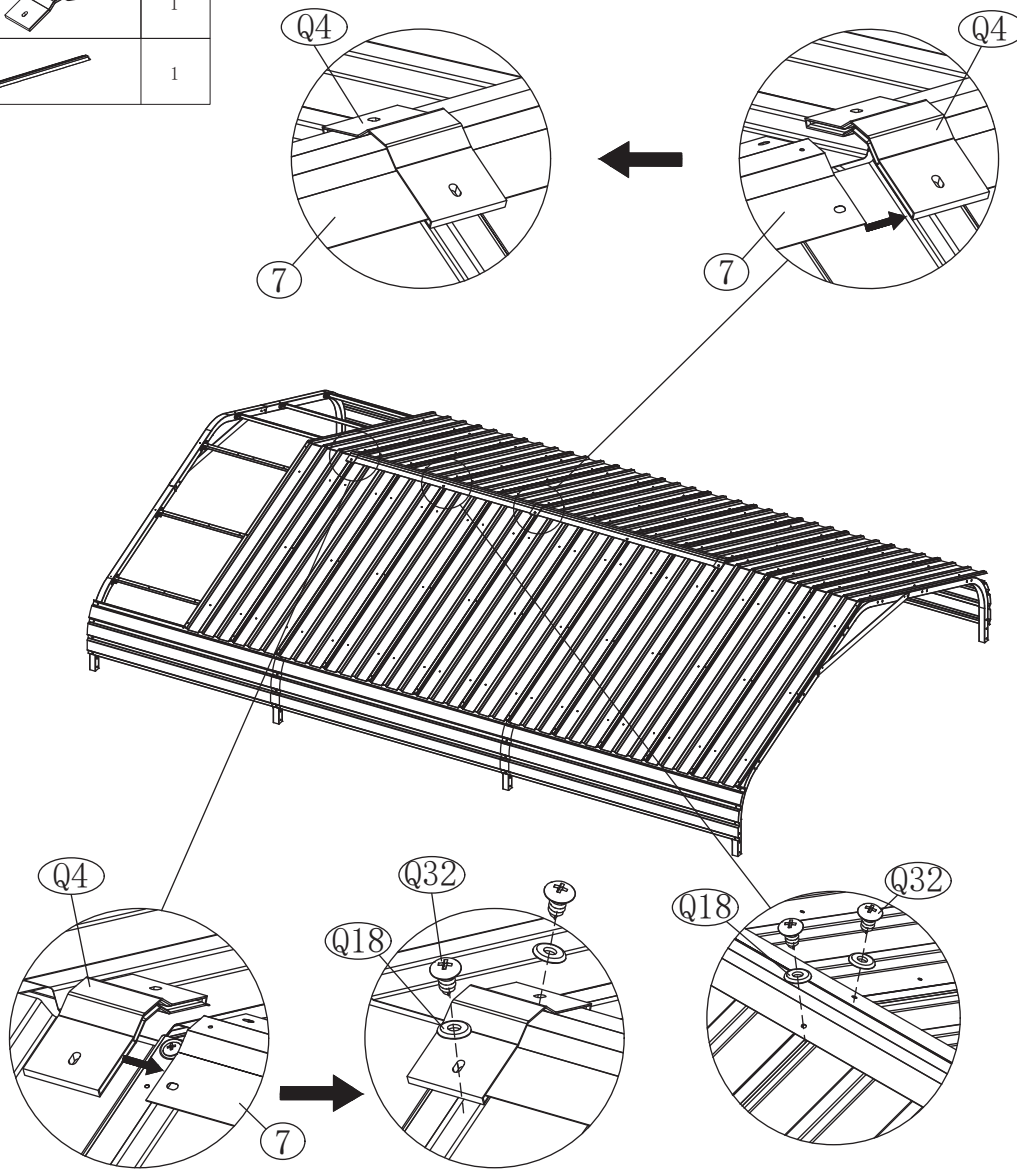
ASSEMBLY INSTRUCTIONS

CAVEAT

Note: Please tighten the bolts after each installation step.

NO.	PART.	Qty.
Q32		4
Q18		4
Q4		1
7		1

D2 Install plastic Q4 between the 11th and 12th pieces



STEP 16

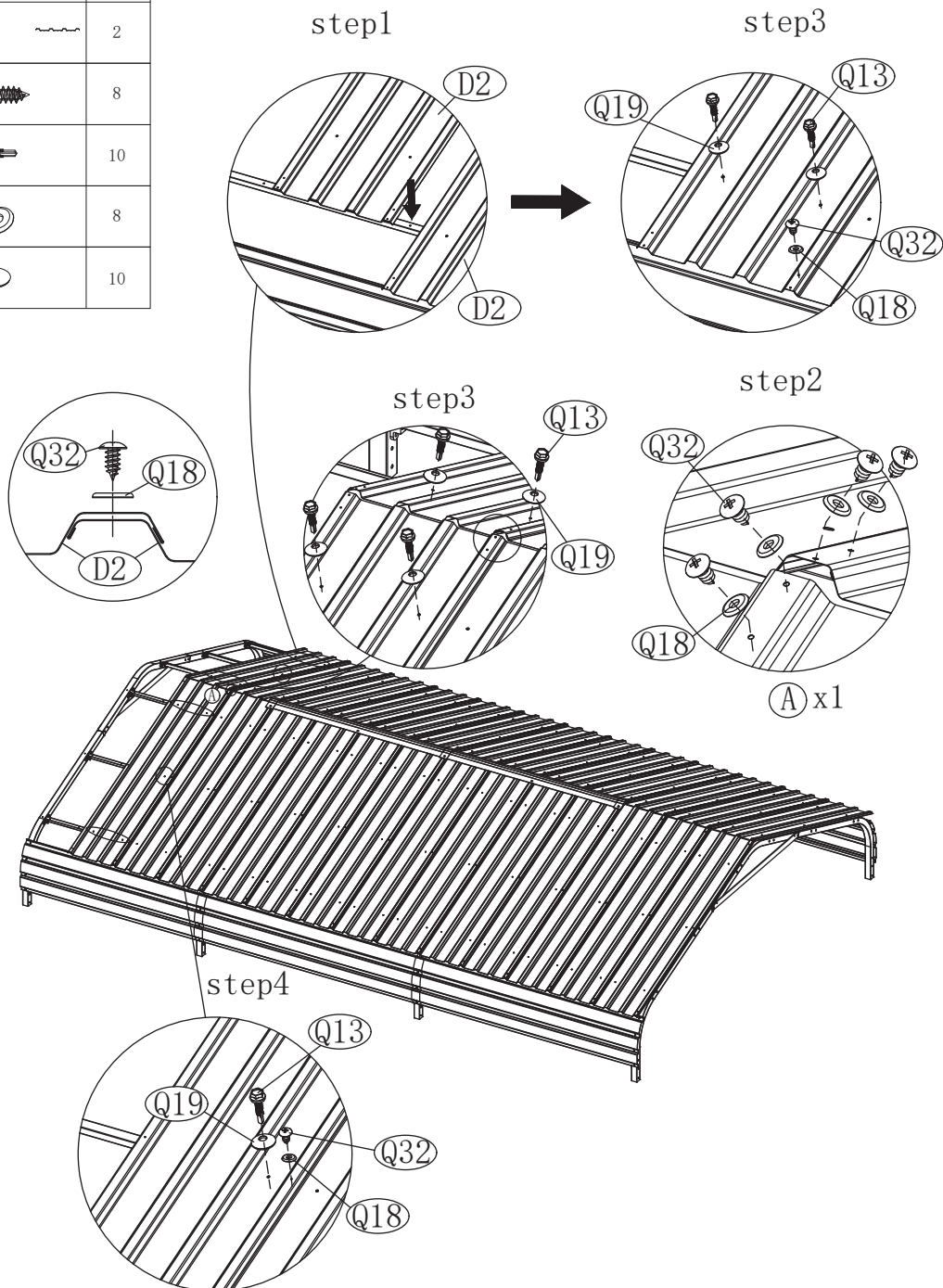
Repeat step 14 to install support rod (7) and connector (Q4).

ASSEMBLY INSTRUCTIONS

CAVEAT

Note: Please tighten the bolts after each installation step.

NO.	PART.	Qty.
D2		2
Q32		8
Q13		10
Q18		8
Q19		10








STEP 17

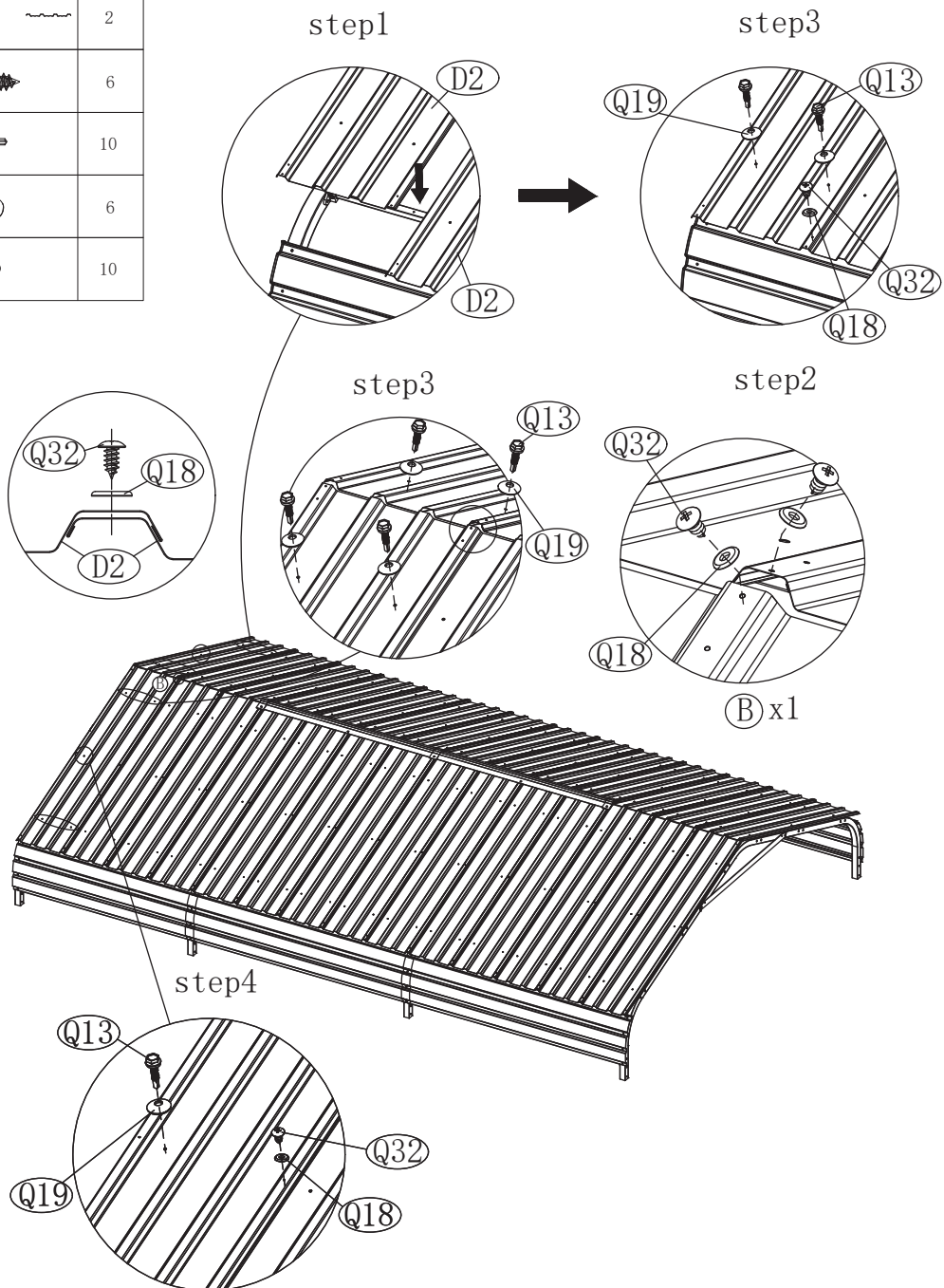
Repeat step 11 to install the roof.

ASSEMBLY INSTRUCTIONS

CAVEAT

Note: Please tighten the bolts after each installation step.

NO.	PART.	Qty.
D2		2
Q32		6
Q13		10
Q18		6
Q19		10






STEP 18

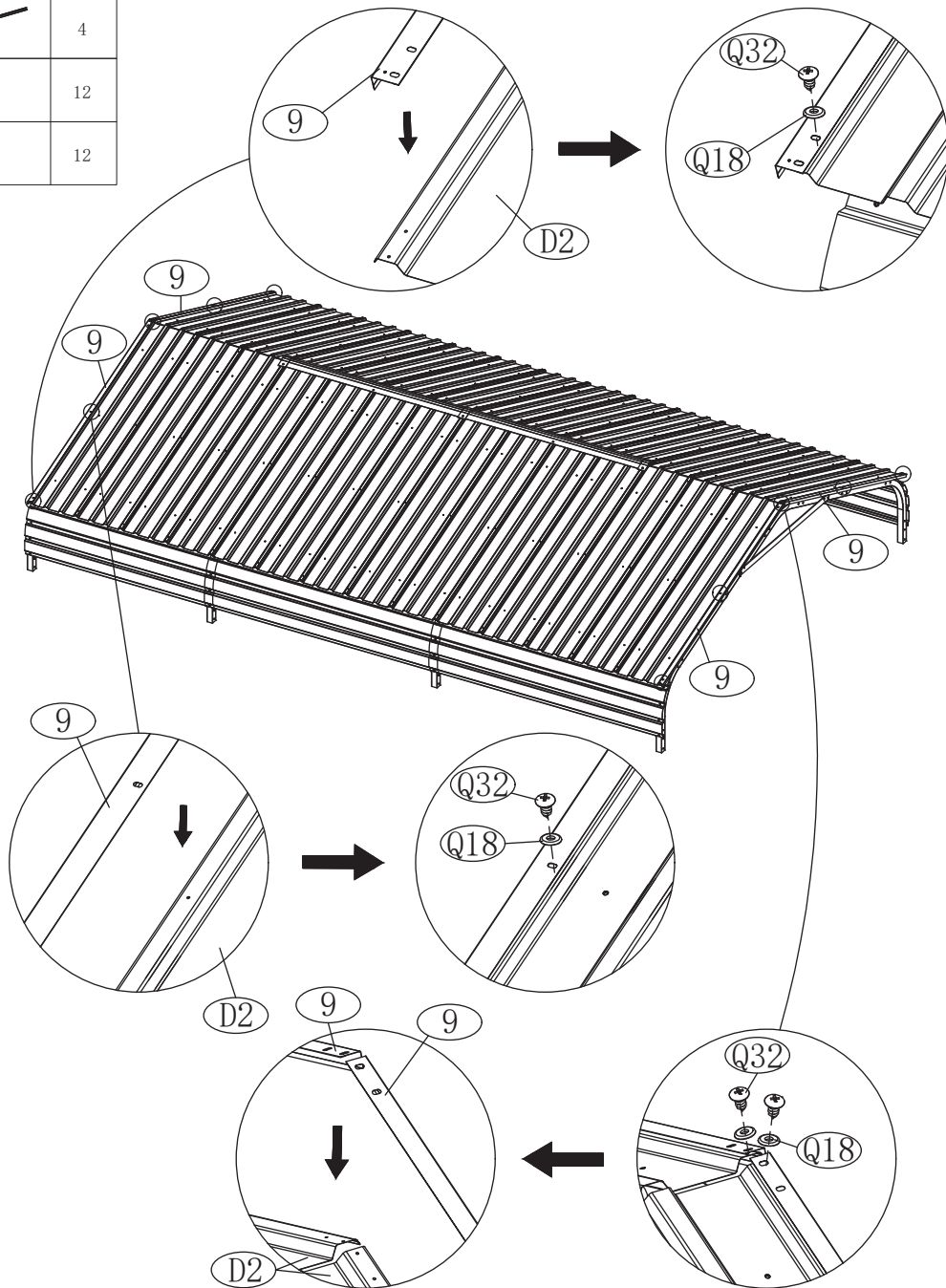
Install the remaining roof sections in the same way as the previous step.

ASSEMBLY INSTRUCTIONS

CAVEAT

Note: Please tighten the bolts after each installation step.

NO.	PART.	Qty.
9		4
Q32		12
Q18		12






STEP 19

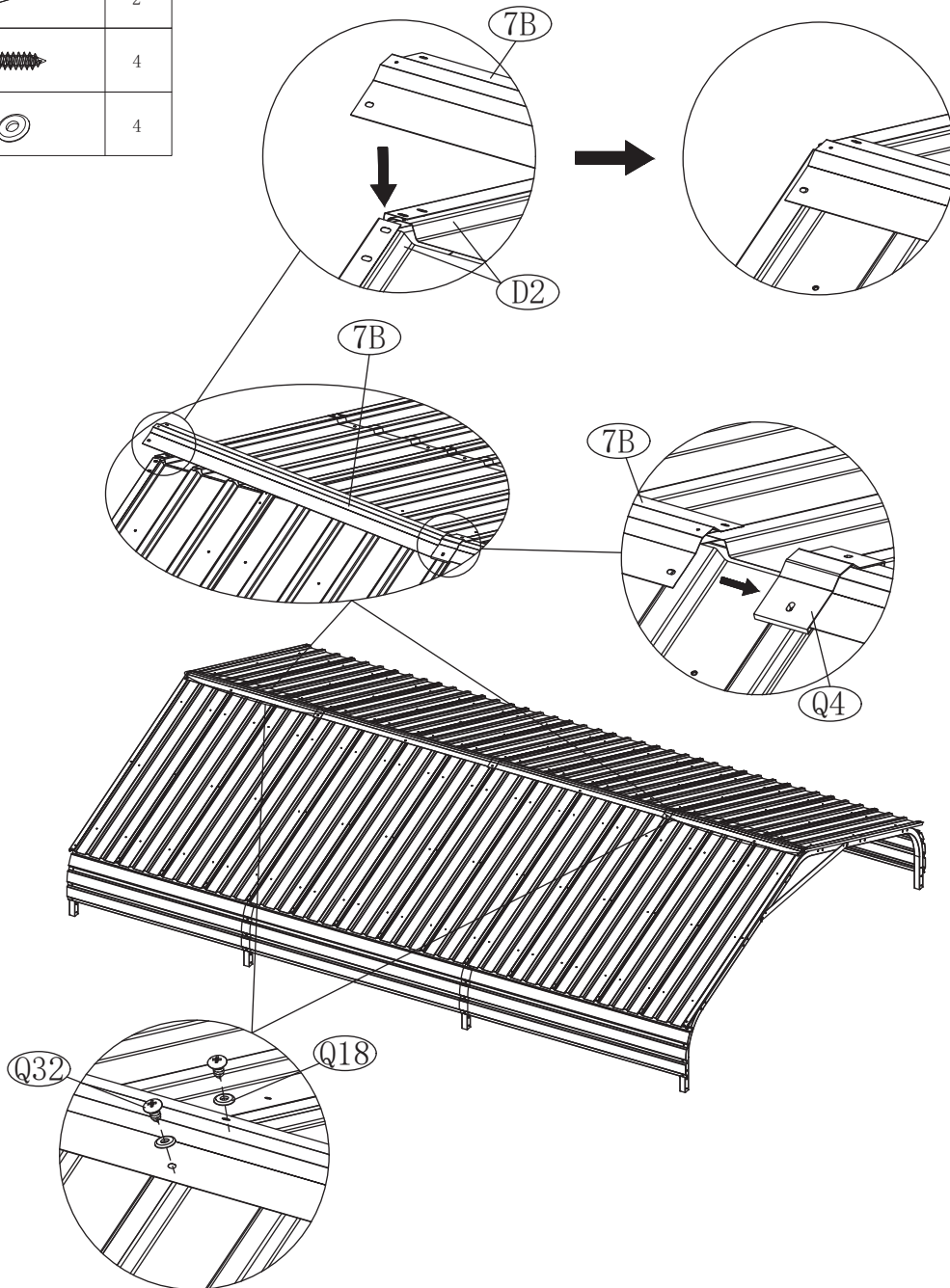
Install 4 support rods (9) using 12 screws (Q32) and 12 washers (Q18).

ASSEMBLY INSTRUCTIONS

CAVEAT

Note: Please tighten the bolts after each installation step.

NO.	PART.	Qty.
7B		2
Q32		4
Q18		4







STEP 20

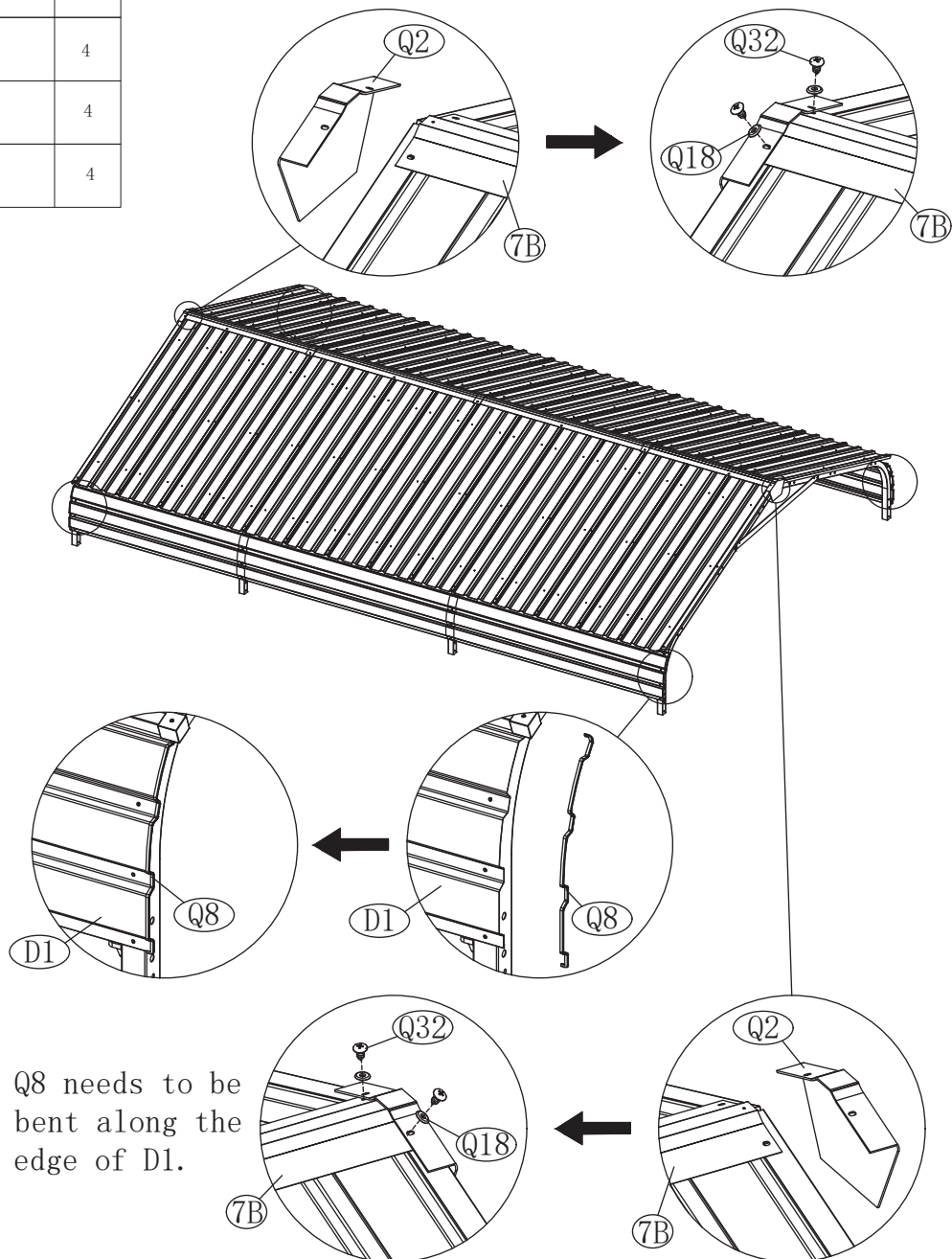
Install support rods (7B) using 4 screws (Q32) and 4 washers (Q18).

ASSEMBLY INSTRUCTIONS

CAVEAT

Note: Please tighten the bolts after each installation step.

NO.	PART.	Qty.
Q2		2
Q32		4
Q18		4
Q8		4





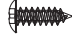

STEP 21

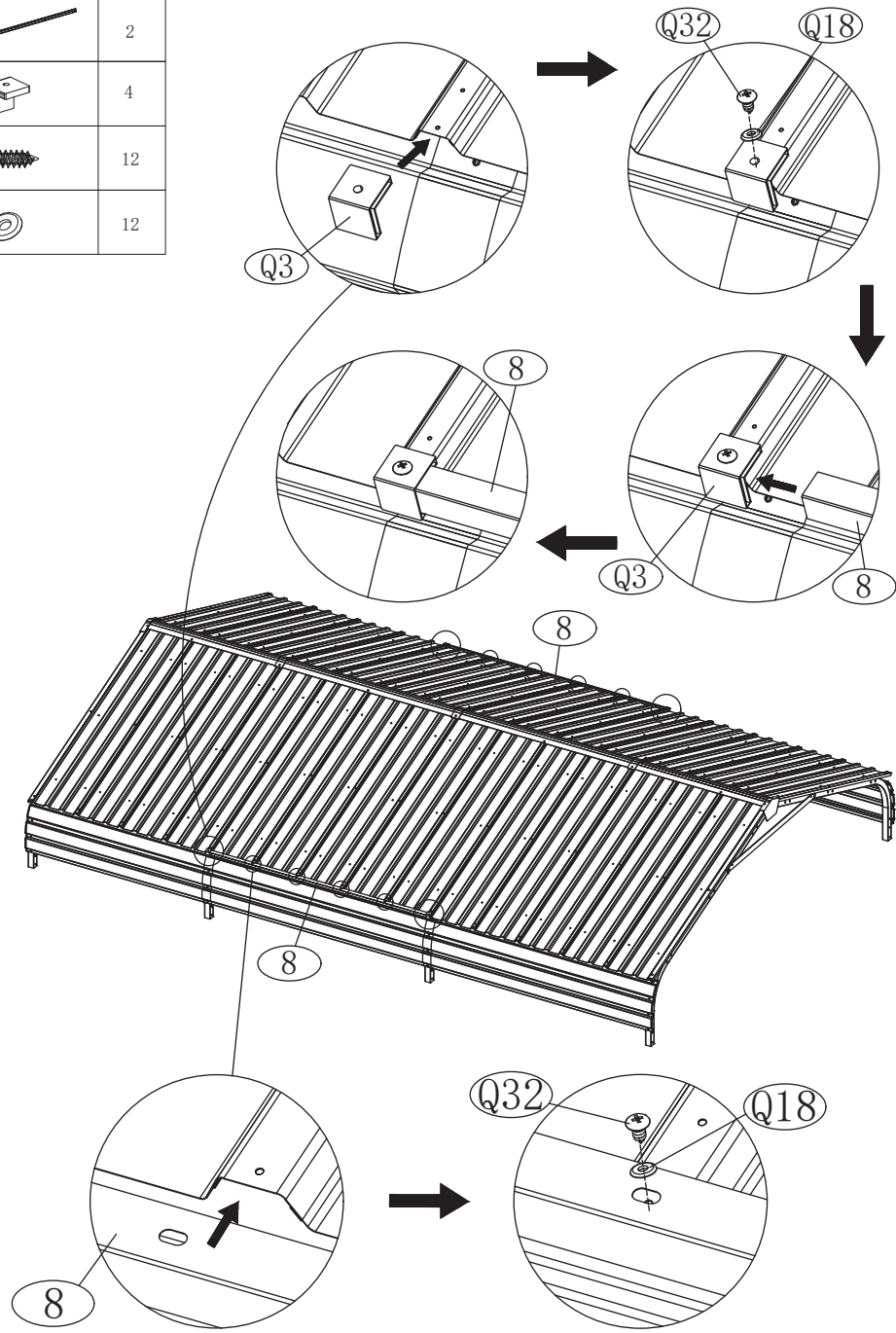
Installing decorative parts (Q2&Q8) using 4 screws (Q32) and 4 washers (Q18).

ASSEMBLY INSTRUCTIONS

CAVEAT

Note: Please tighten the bolts after each installation step.

NO.	PART.	Qty.
8		2
Q3		4
Q32		12
Q18		12




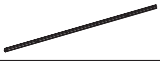





STEP 22

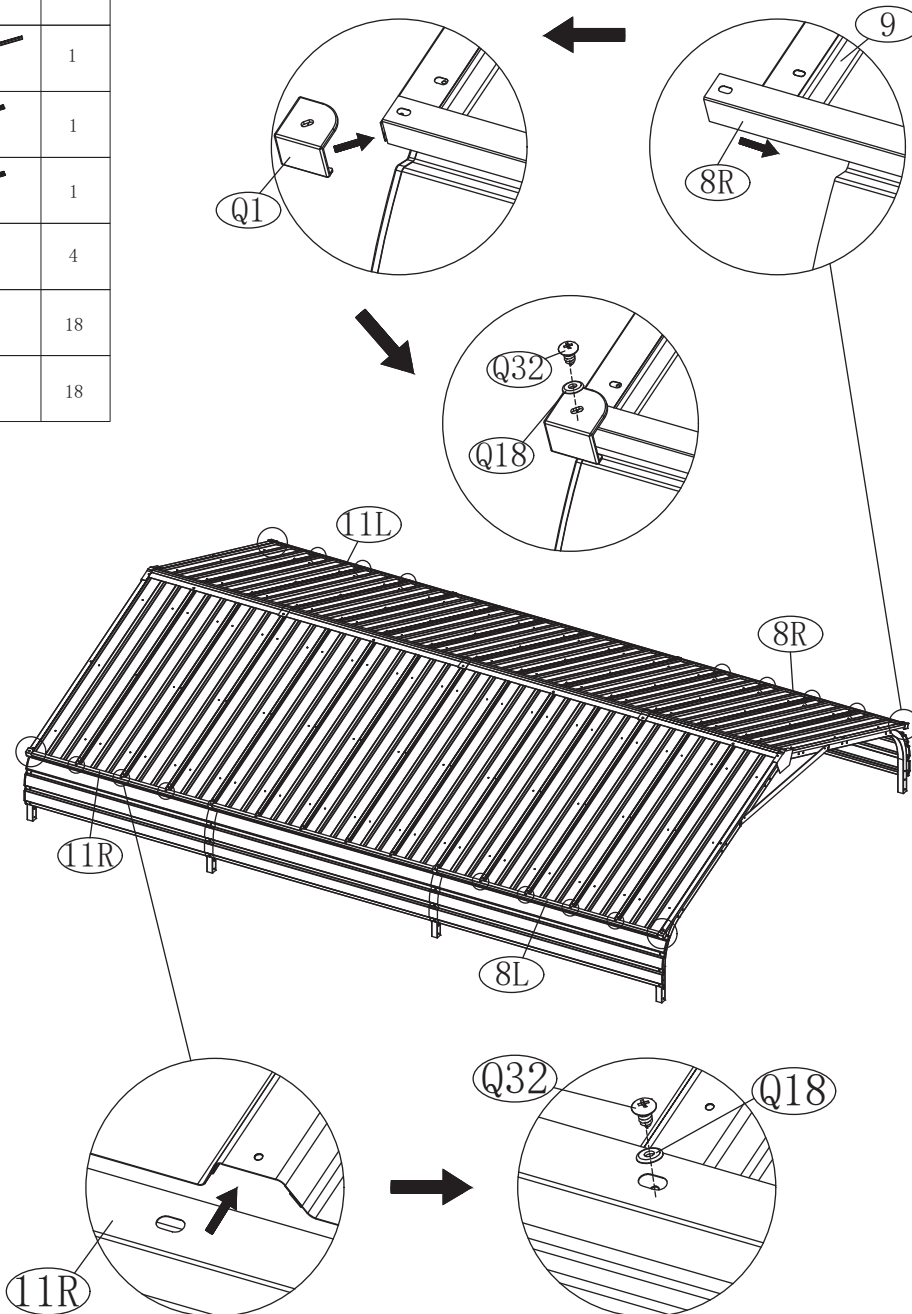
Install 2 support rods (8) using 4 connectors (Q3), 12 screws (Q32) and 12 washers (Q18).

ASSEMBLY INSTRUCTIONS

CAVEAT

Note: Please tighten the bolts after each installation step.

NO.	PART.	Qty.
8L		1
8R		1
11L		1
11R		1
Q1		4
Q32		18
Q18		18





STEP 23

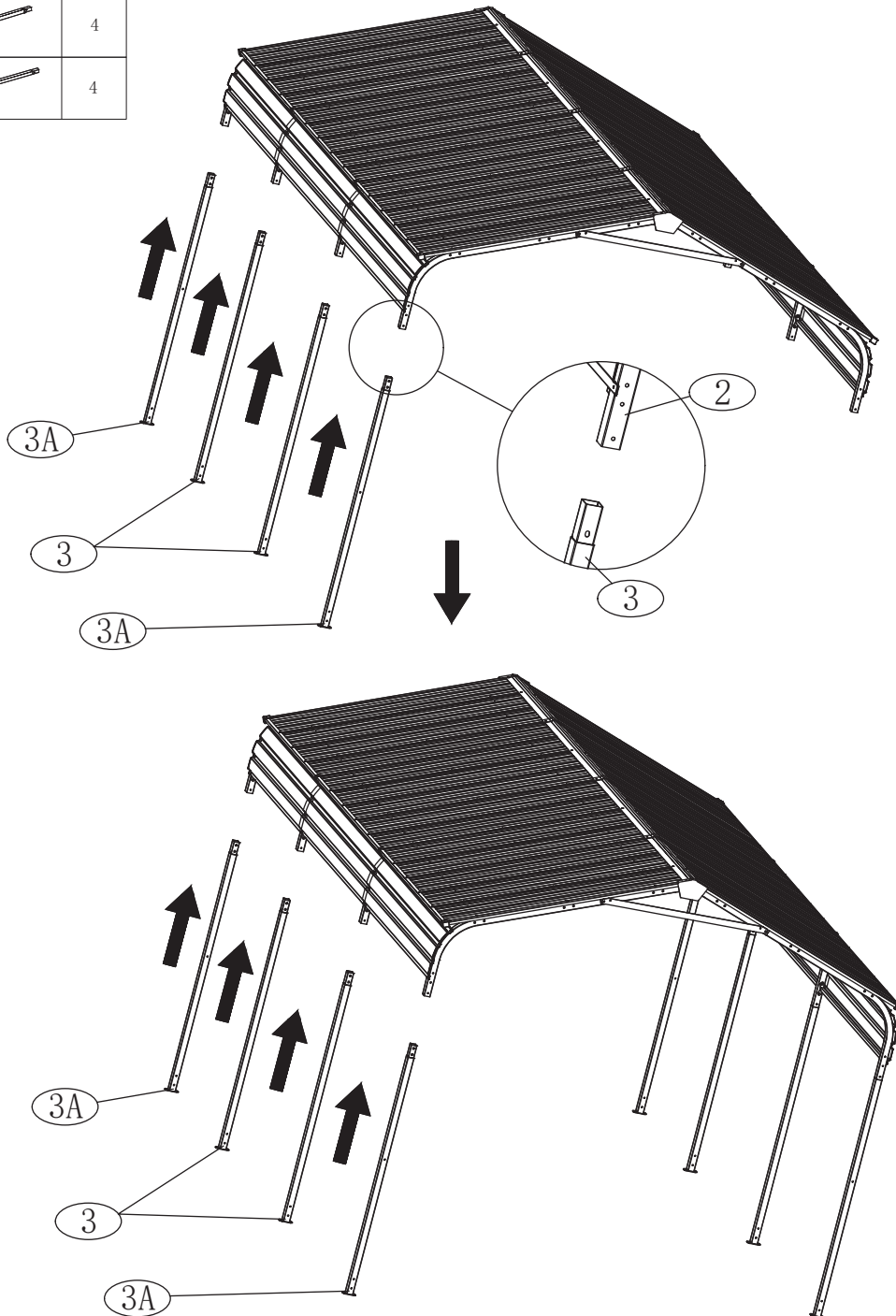
Install support rods (8L&8R&11L&11R) using 4 connectors (Q1), 18 screws (Q32) and 18 washers (Q18).

ASSEMBLY INSTRUCTIONS

 **CAVEAT**

Note: Please tighten the bolts after each installation step.

NO.	PART.	Qty.
3		4
3A		4



STEP 24




Insert 8 support rods (3&3A) into the corresponding hole.

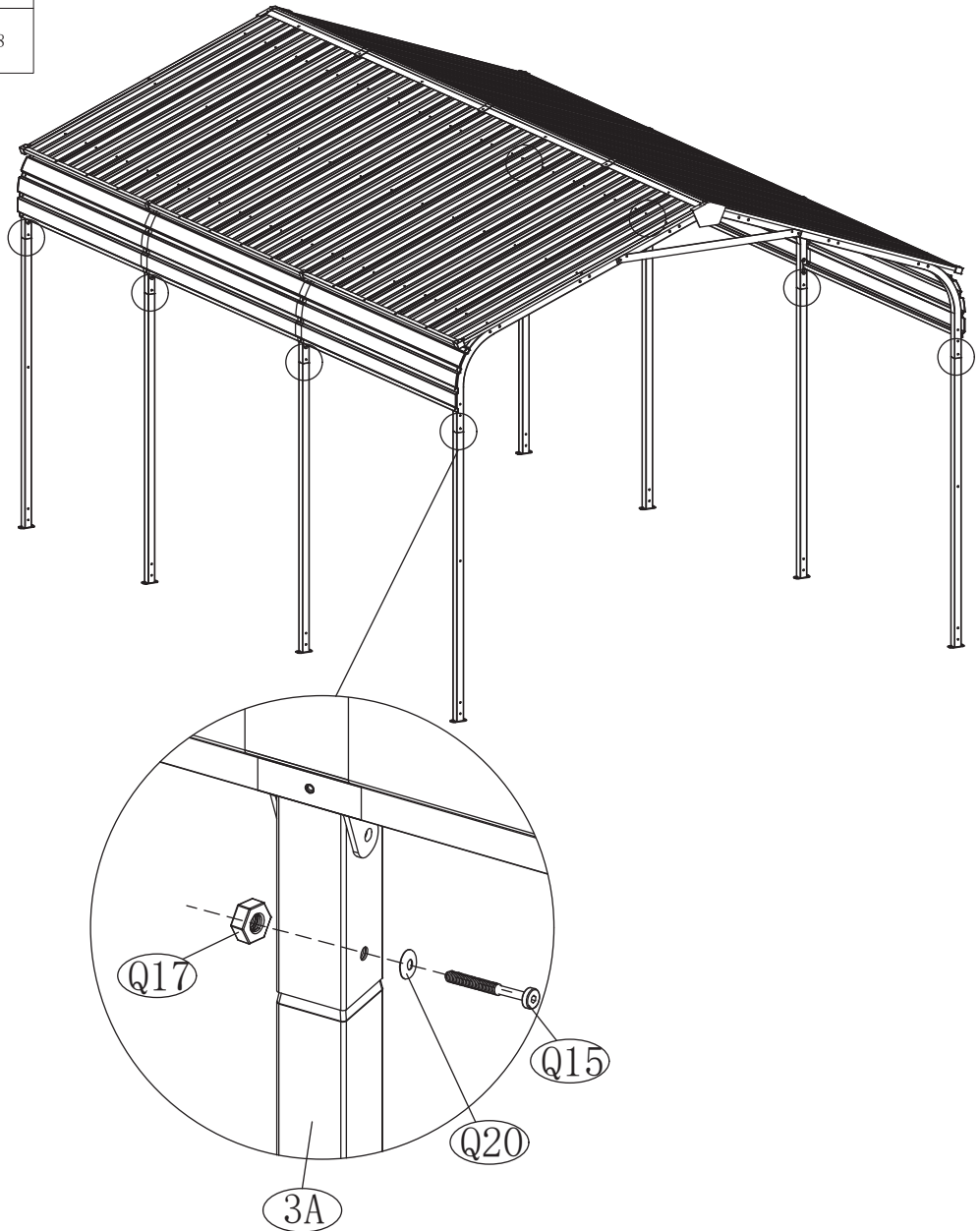
ASSEMBLY INSTRUCTIONS



CAVEAT

Note: Please tighten the bolts after each installation step.

NO.	PART.	Qty.
Q15		8
Q17		8
Q20		8






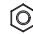

STEP 25

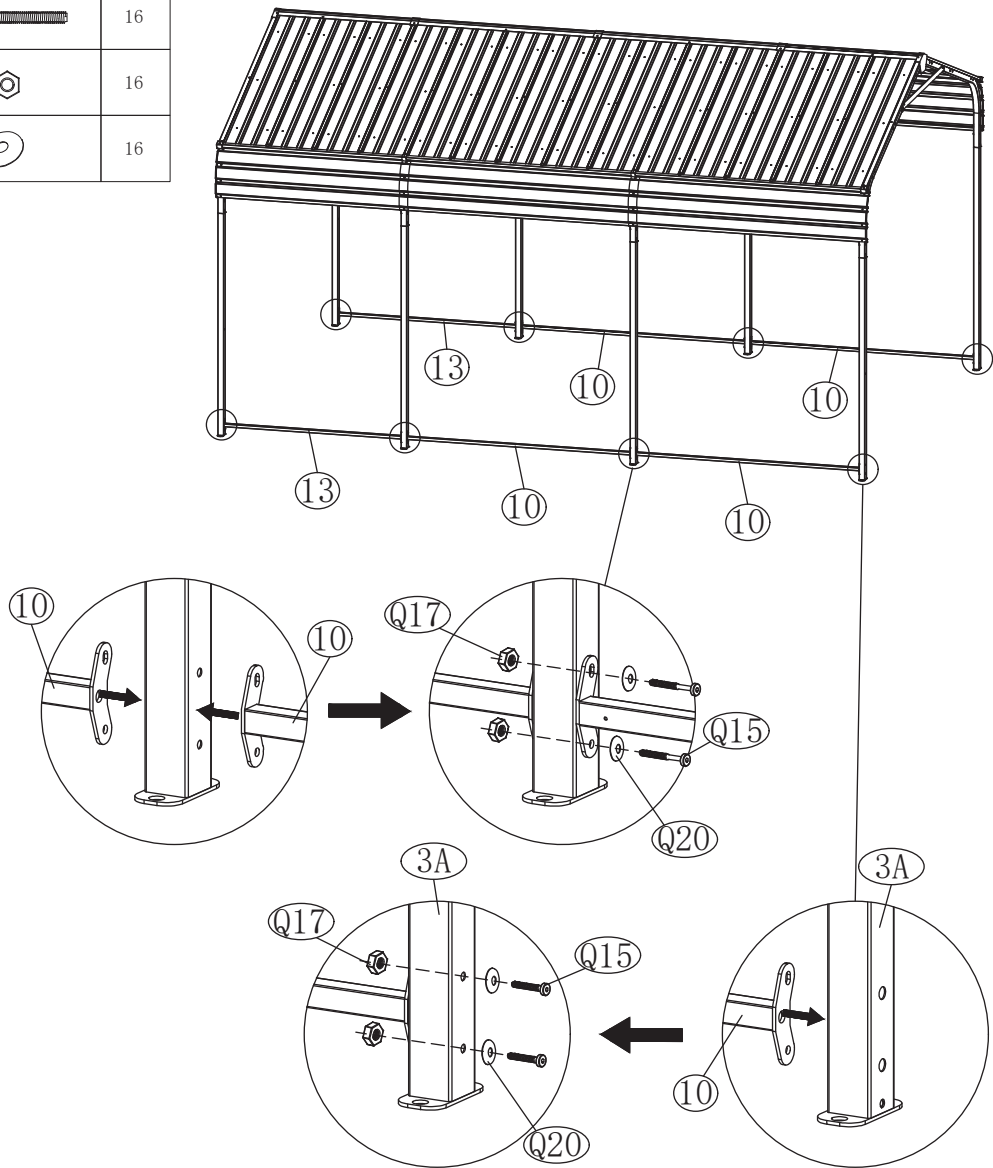
Reinforce the support rods from the previous step with 8 bolts (Q15), 8 washers (Q20) and 8 nuts (Q17).

ASSEMBLY INSTRUCTIONS

CAVEAT

Note: Please tighten the bolts after each installation step.

NO.	PART.	Qty.
10		4
13		2
Q15		16
Q17		16
Q20		16







STEP 26

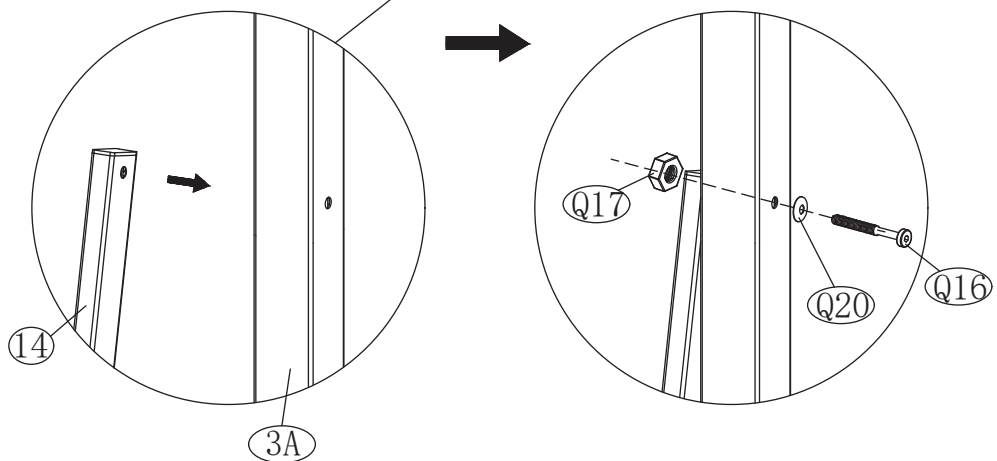
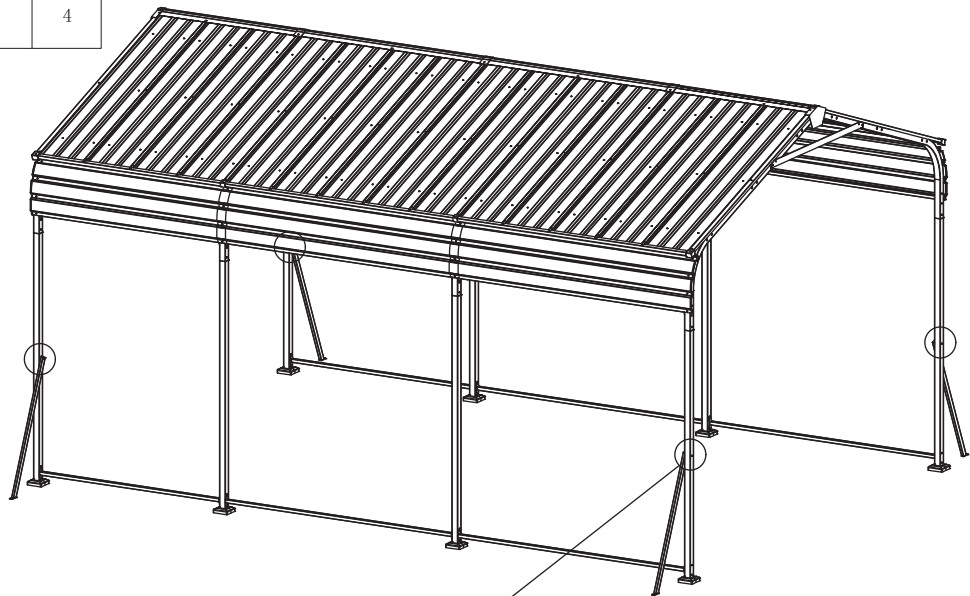
Install support rods (10&13) with 16 bolts (Q15), 16 washers (Q20) and 16 nuts (Q17).

ASSEMBLY INSTRUCTIONS

CAVEAT

Note: Please tighten the bolts after each installation step.

NO.	PART.	Qty.
14		4
Q16		4
Q17		4
Q20		4





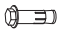
STEP 27

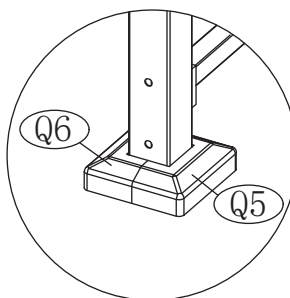
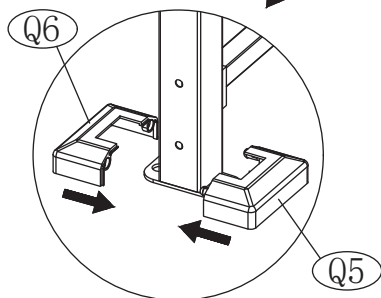
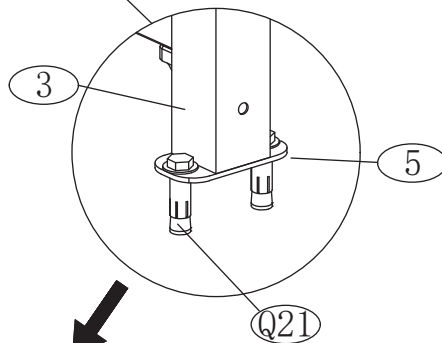
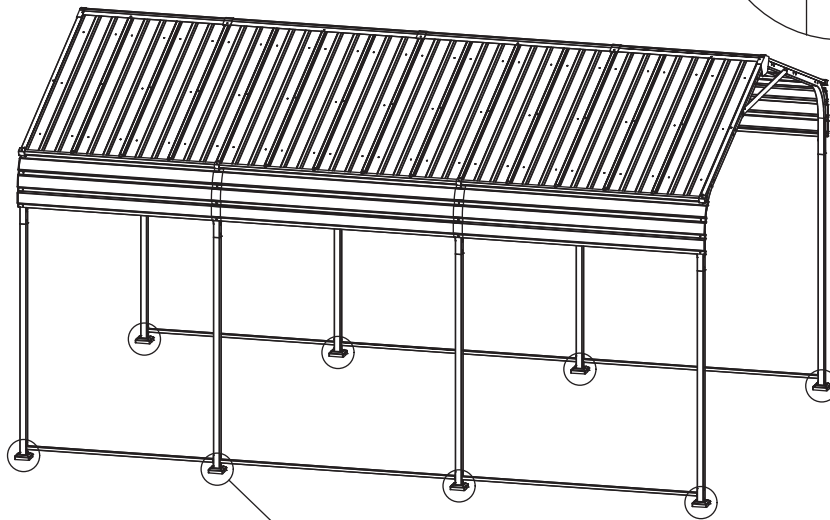
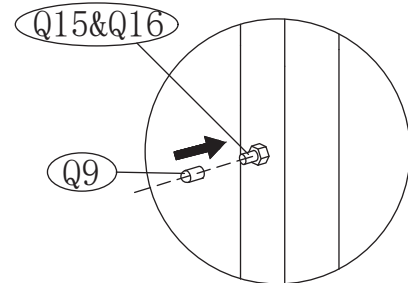
Install support rods (14) using 4 bolts (Q16), 4 washers (Q20) and 4 nuts (Q17).

ASSEMBLY INSTRUCTIONS

CAVEAT

Note: Please tighten the bolts after each installation step.

NO.	PART.	Qty.
Q5		8
Q6		8
Q21		16



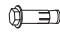

STEP 28

Install ground nails and expansion screws.

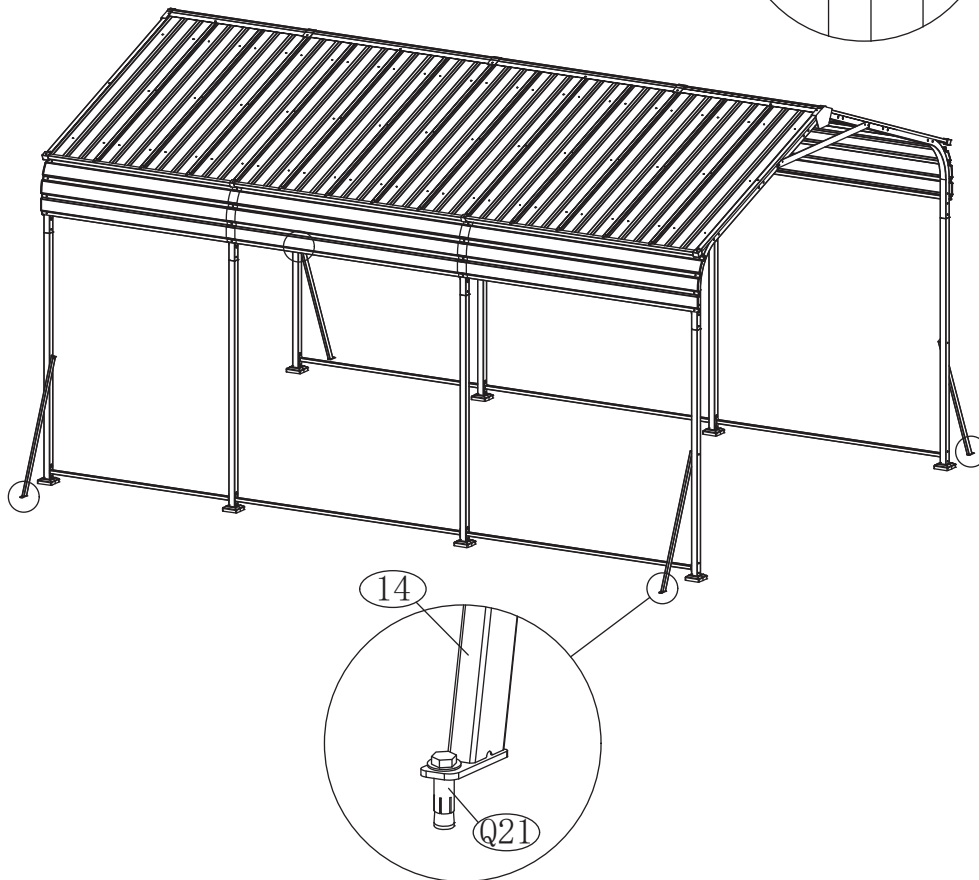
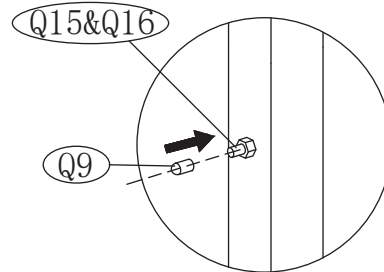
ASSEMBLY INSTRUCTIONS

CAVEAT

Note: Please tighten the bolts after each installation step.

NO.	PART.	Qty.
Q21		4
Q9		104

Plastic screw cap is used to prevent the sharp end of the screw from scratching people.



It is necessary to use ground nails and expansion screws, whether installed on stable ground, to avoid the collapse of the car shed to the inside or nearby personnel causing devastating injuries and property losses.

STEP 29

Install the remaining 4 ground nails and using plastic screw cap to prevent the sharp end of the screw from scratching people.

CARE AND MAINTENANCE

Follow the instructions for the product's material to ensure it stays in the best shape as long as possible. The information below is a general guideline.

Don't hesitate to get in touch with us to learn more.

- Only rinse it thoroughly with clean water to wash away dirt and grime. Never use abrasive cleansers on the furniture since they can attack the surface and leave behind scratch marks.
- For stubborn grime and stains, use a soft sponge and mild soapy water. Then dry it with a cloth or paper towel.
- Check the stability of the screws, nuts, and nut caps before each use. Then, tighten them up after one to two months' use whenever required.
- Avoid improper use, and be careful not to scratch or damage the surface with sharp objects.
- When you move your furniture, lift it rather than pulling or pushing it to avoid damaging the floor, legs, and mounting.

CUSTOMER SERVICE

Thanks for purchasing NUUGARDEN furniture. We are here to help you maximize your enjoyment and appreciation of it.

Please do not hesitate to contact our customer service if you have any questions regarding assembly or accessories.

Add: 6366 Corley Road, Norcross, GA 30071.

Tel: (800) 257-7108

Web: <https://nuumart.com>

E-mail: service@nuugarden.com

Service time: Mon-Fri, 8:30 AM-5:30 PM, EST



NUUGARDEN USA



Nuu Garden Corp.

Add: 6366 Corley Road, Norcross GA 30071.

Tel: (800) 257-7108

Web: <https://nuumart.com>

E-mail: service@nuugarden.com