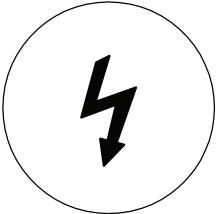


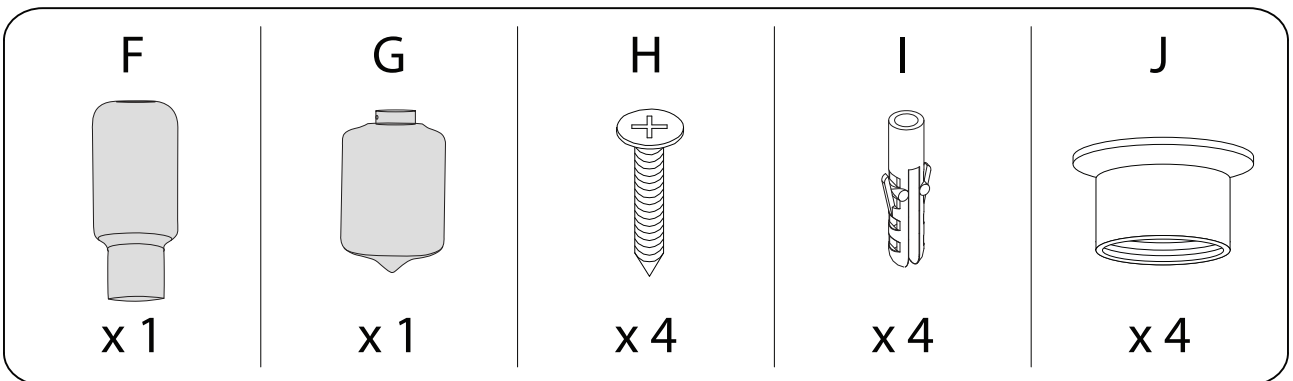
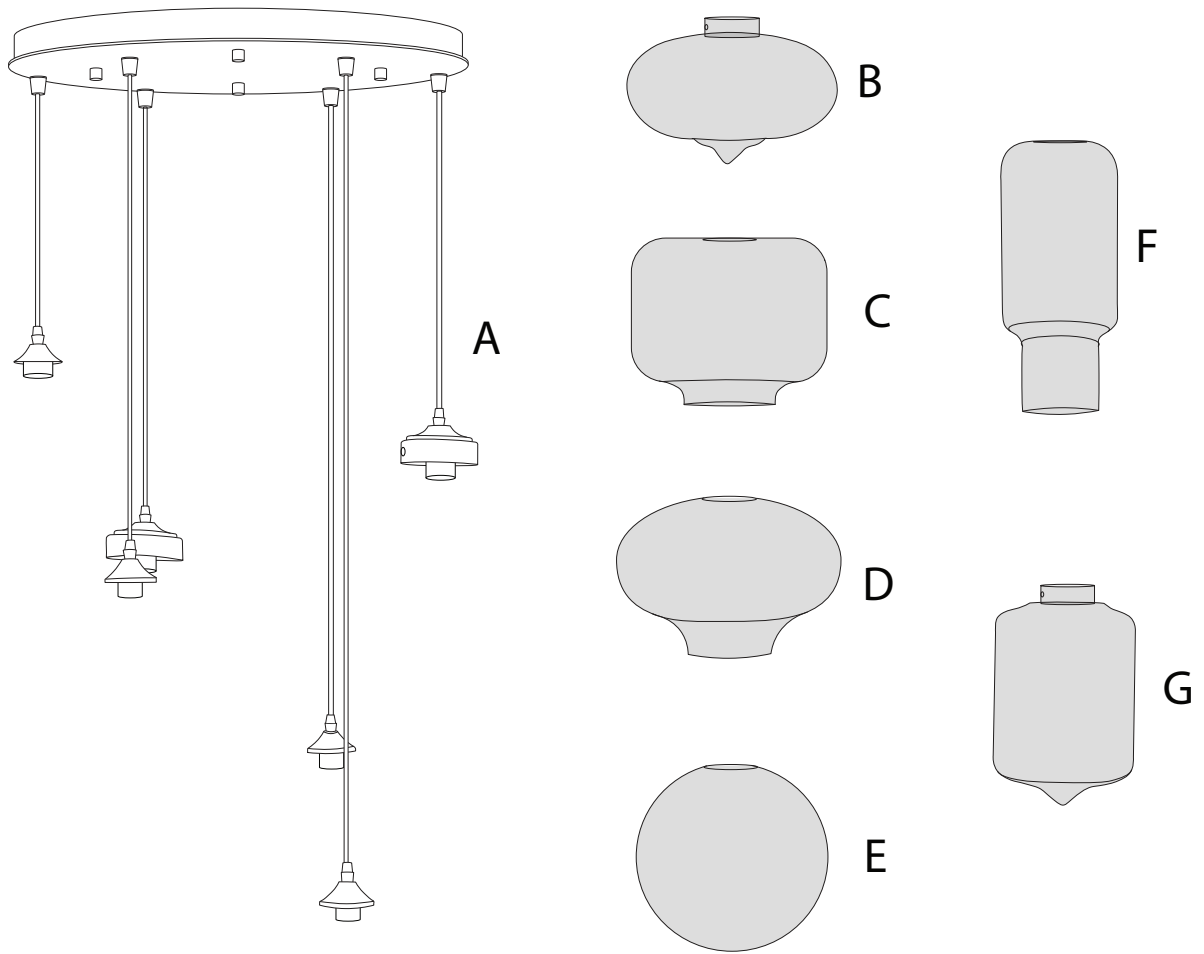
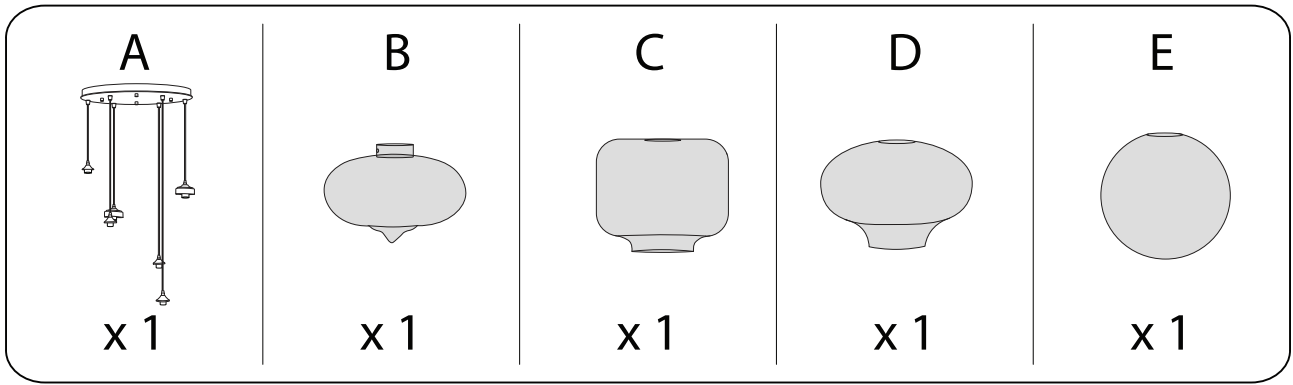
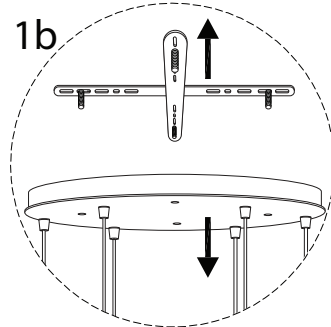
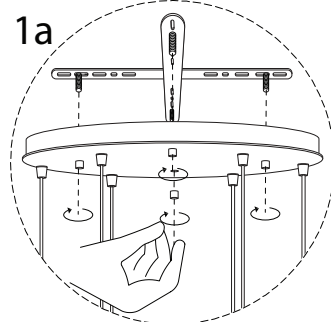
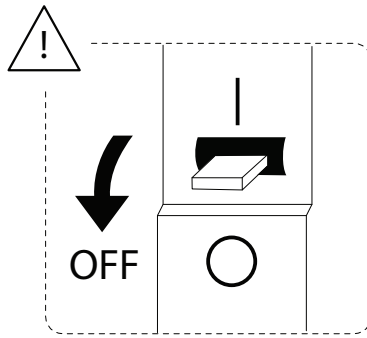
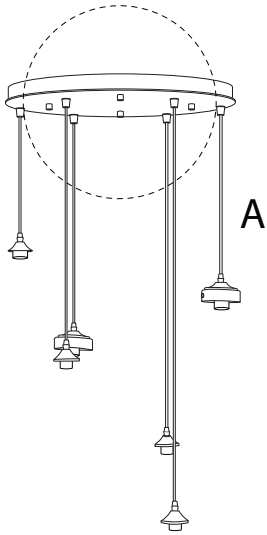
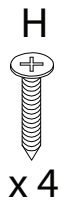

		15'
		
		2



1



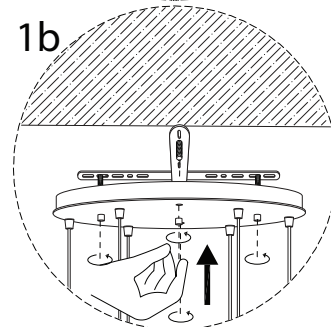
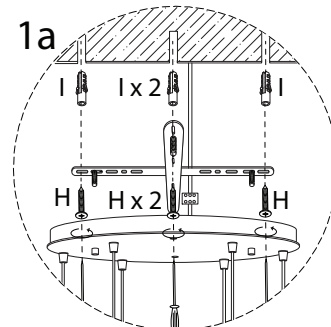
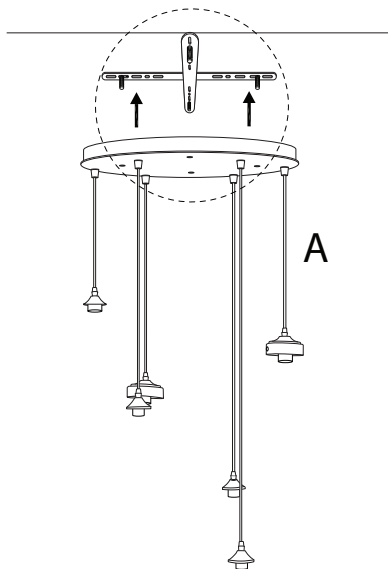
2



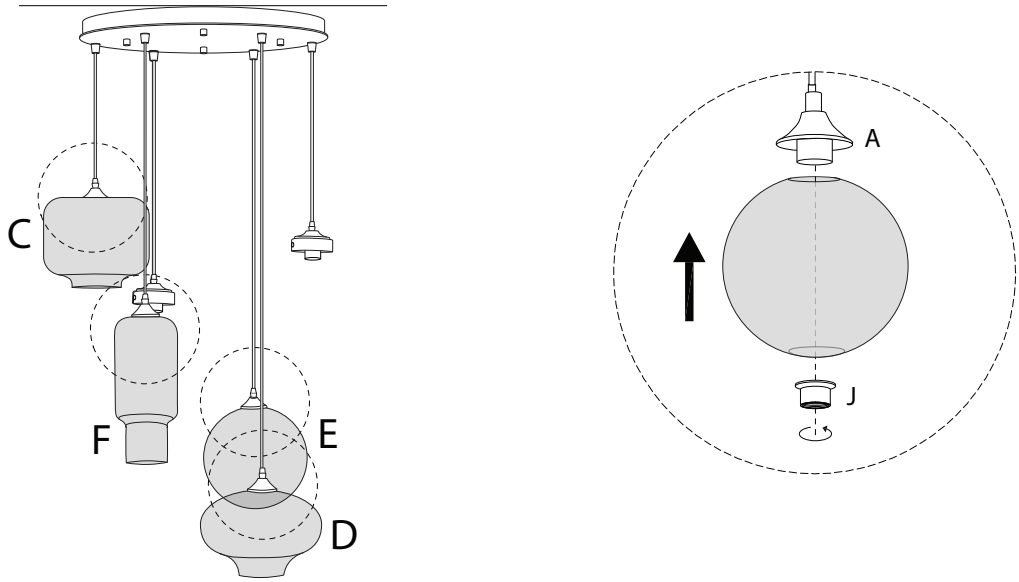
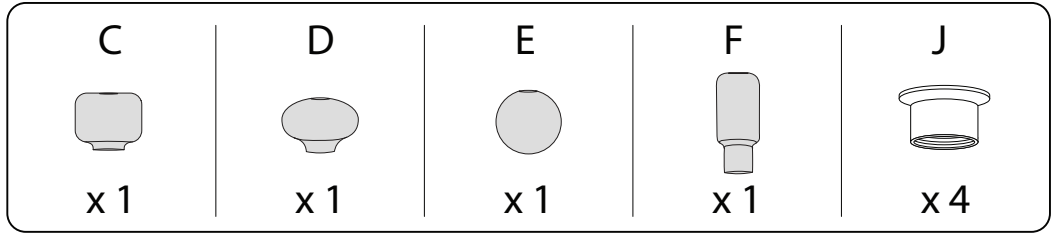
x 4



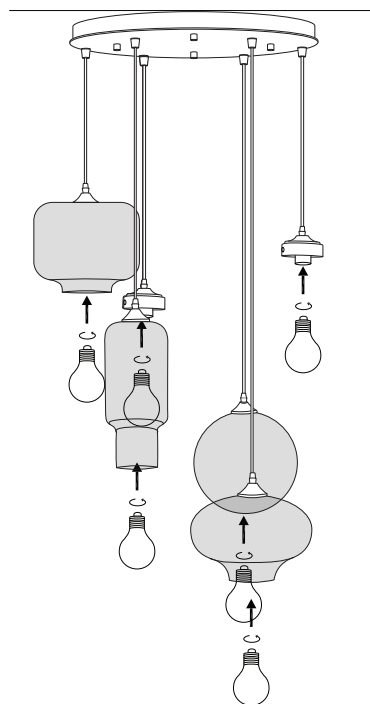
x 4



3

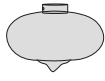


4



5

B

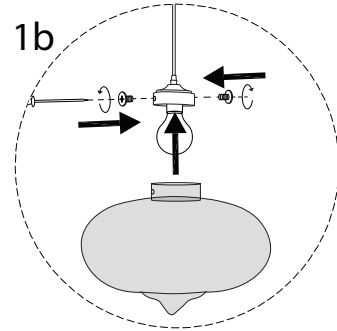
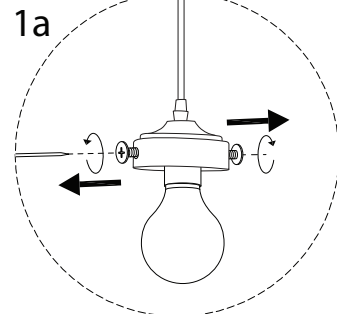
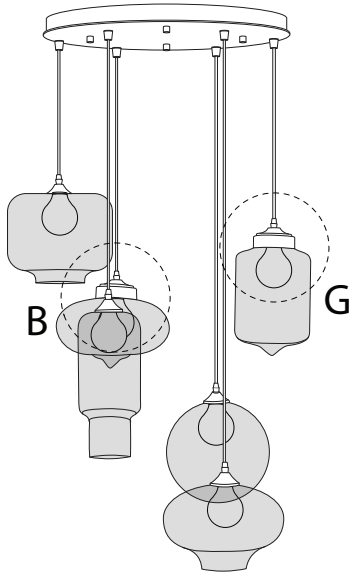


x 1

G



x 1



!

