

SLEEPER SOFA

Assembly Instruction



NOTE:

Delivered with SEVERAL PACKAGES
with SEVERAL TRACKINGS, may NOT
be delivered at the same time.



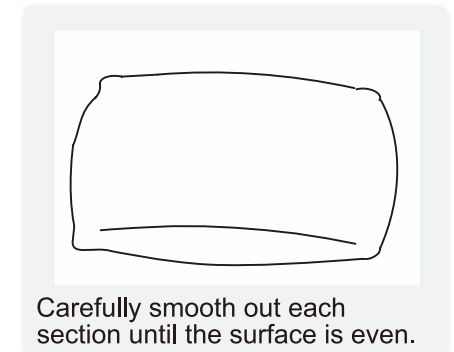
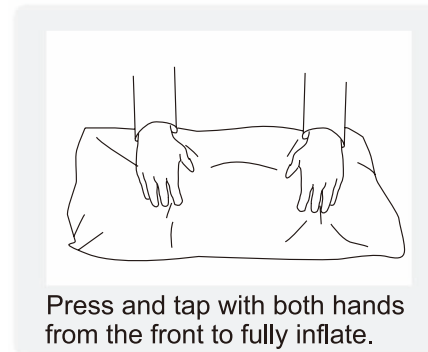
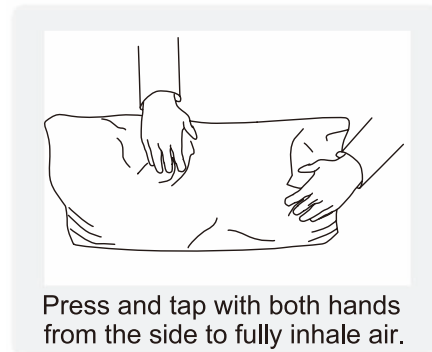
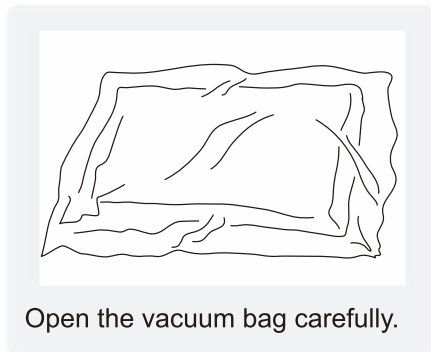
Safety and Care Advice

Important – Please read these instructions fully before starting assembly

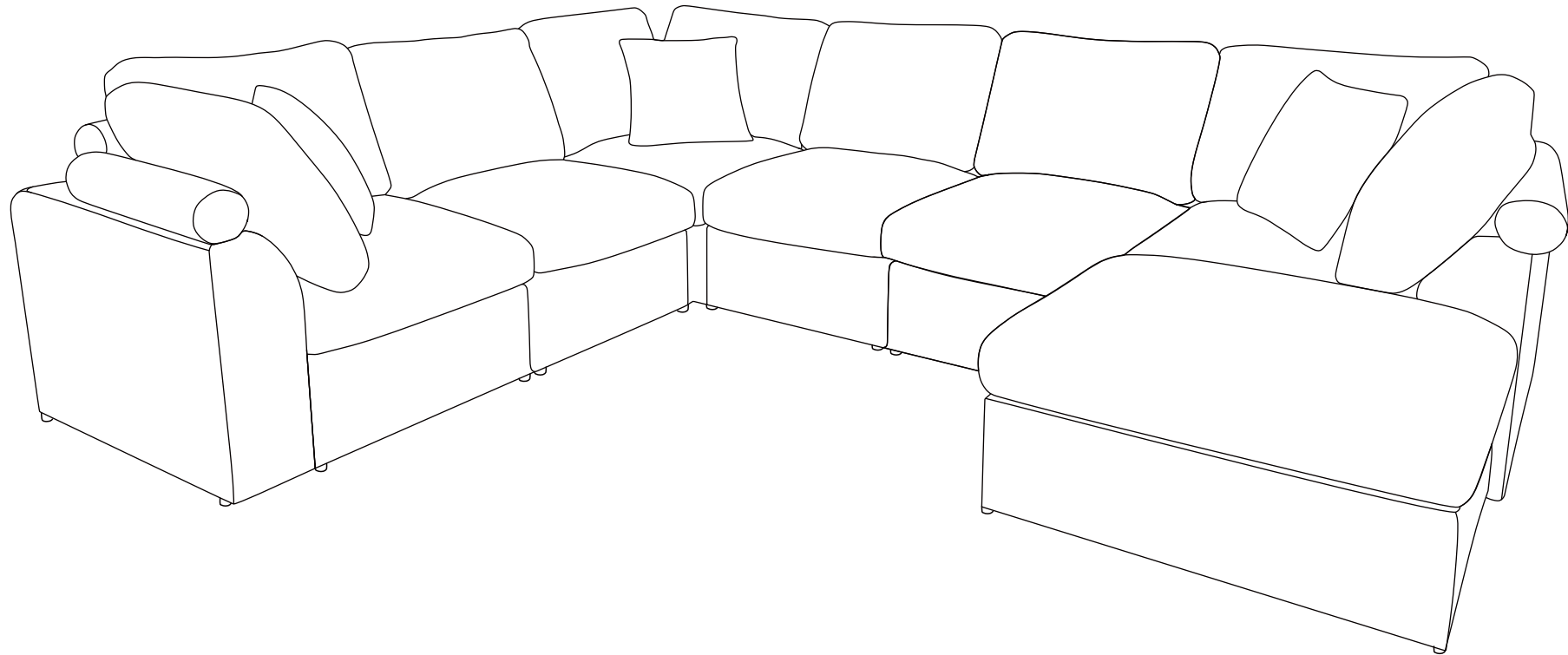
Thanks for your purchase. Before assembling, please follow the instructions to check if all the spare parts and screws are intact.

- Considering the size and weight of the sofa, we recommend two adults to assemble the sofa, on a carpeted or padded area, in the room that it is intended for. Approximate assembly time: 60 minutes.
- Keep all components and packaging out of reach of children or animals to avoid the risk of choking or suffocation.
- Please do not throw away any of the packaging or the instruction until you have checked all the components and hardware and the furniture is fully assembled. Please ensure that the packaging is disposed in a safe and environmentally friendly way.
- Please do not take off the cover, and do not wash.

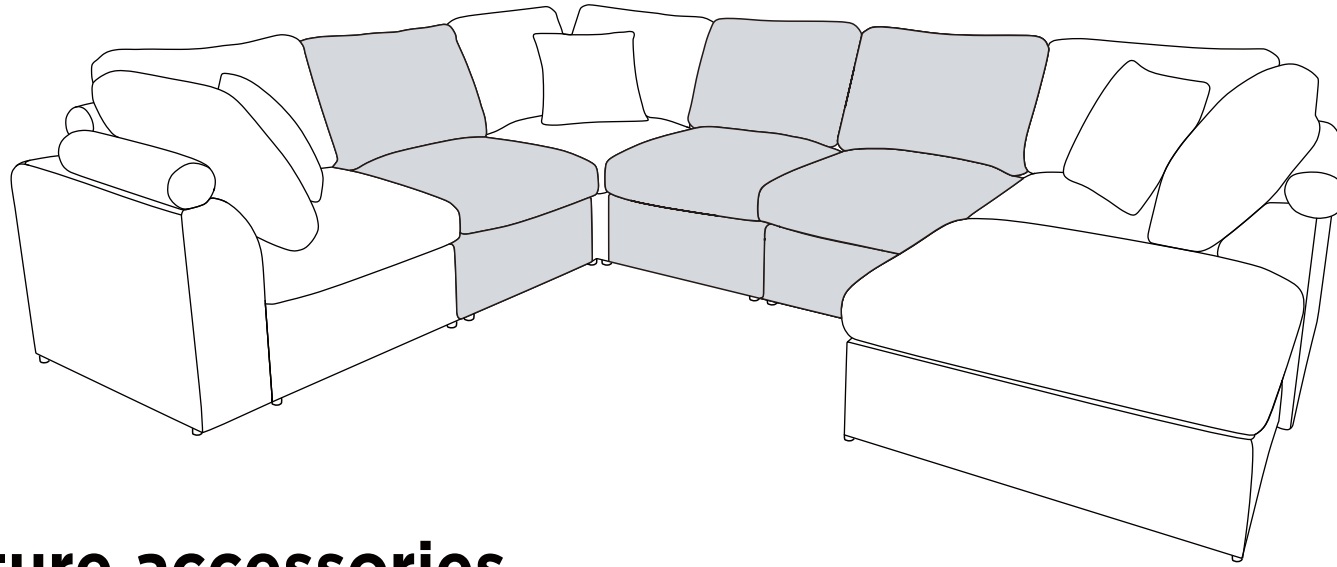
Your cushions come vacuum packed and sealed for shipping. To restore the cushion's original shape, follow the steps below.



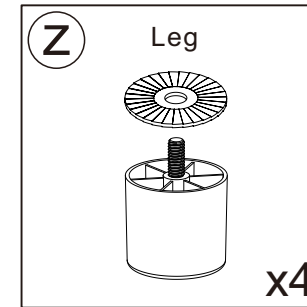
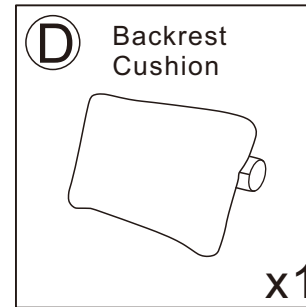
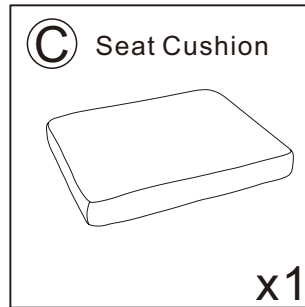
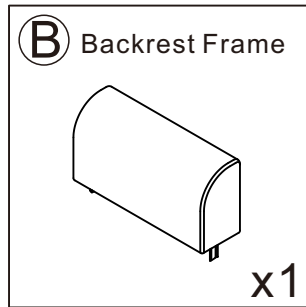
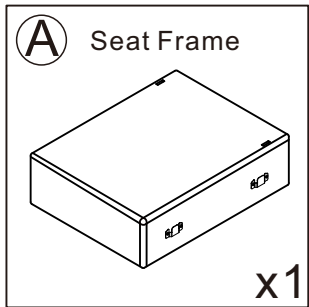
After packing up, place them in somewhere dry and ventilated. After about 72-96 hours. It can be restored to the best use condition.



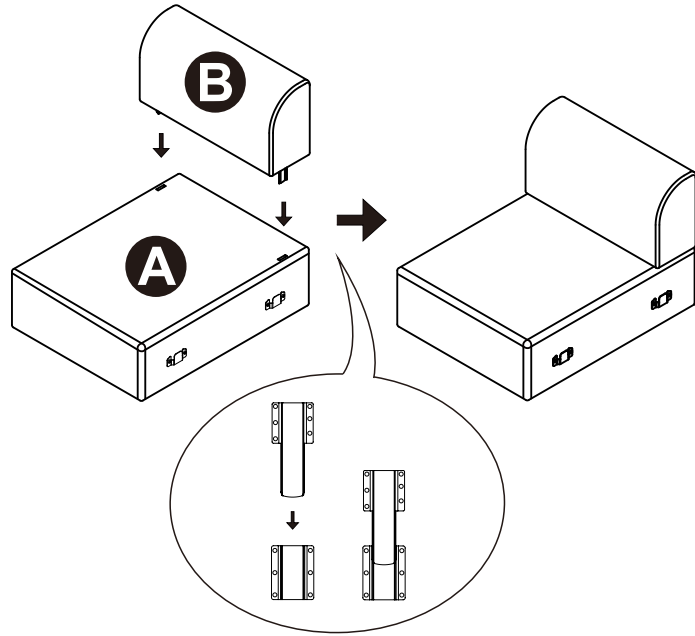
BOX A





Main structure accessories

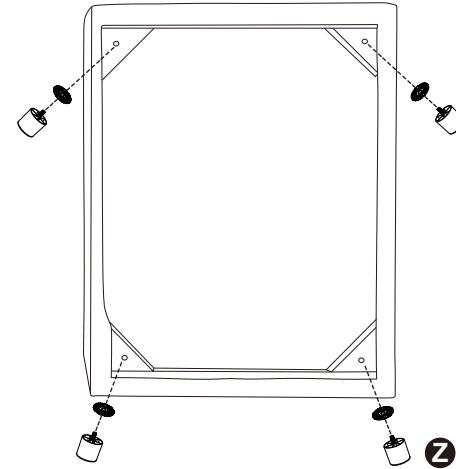



STEP 1



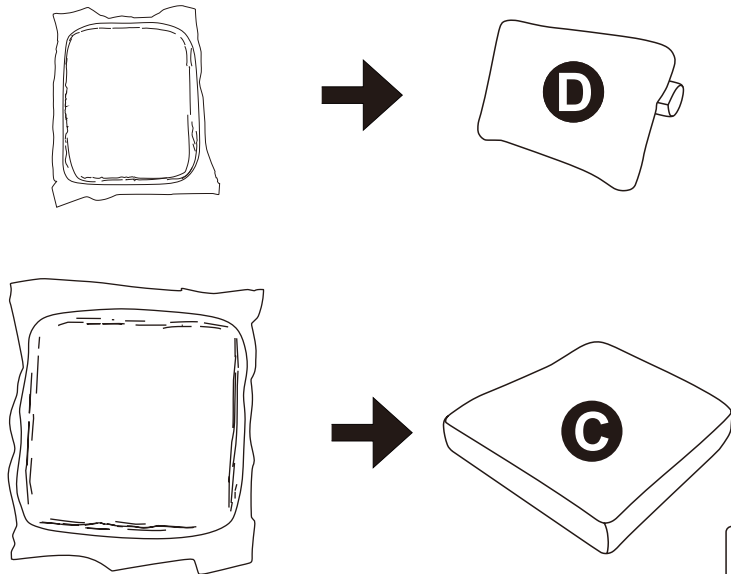
- A**  x1
- B**  x1



STEP 2



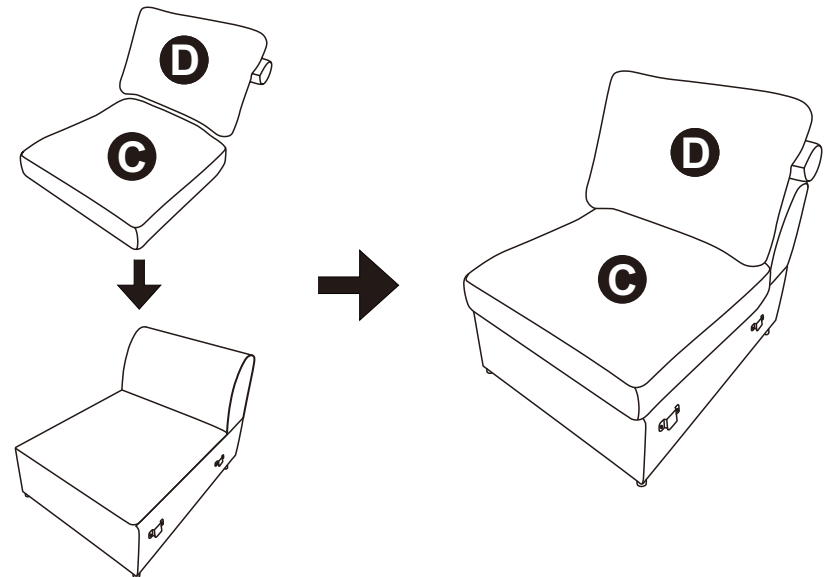
- Z**  x4

STEP 3

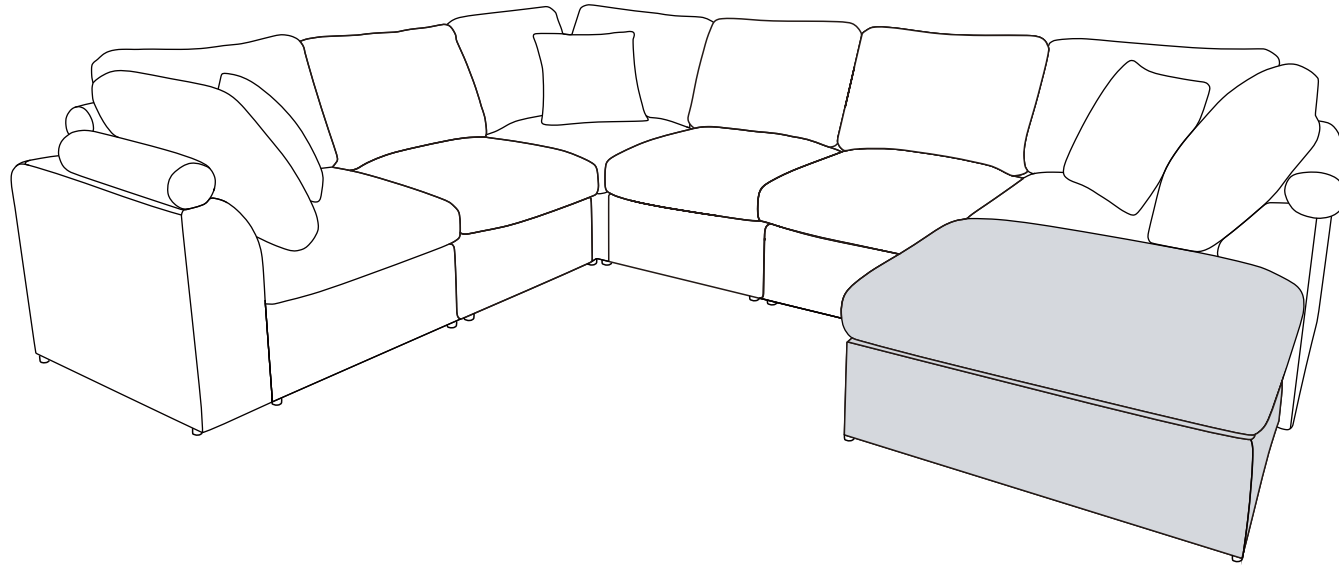


- C**  x1
- D**  x1

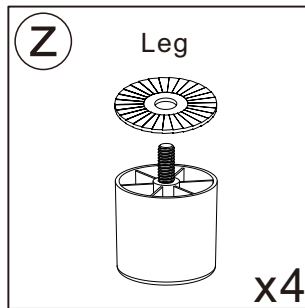
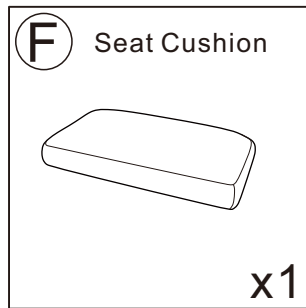
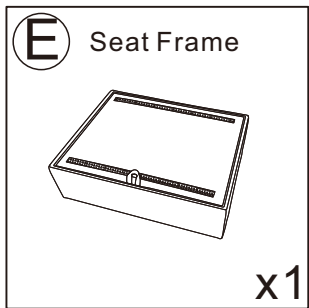
STEP 4



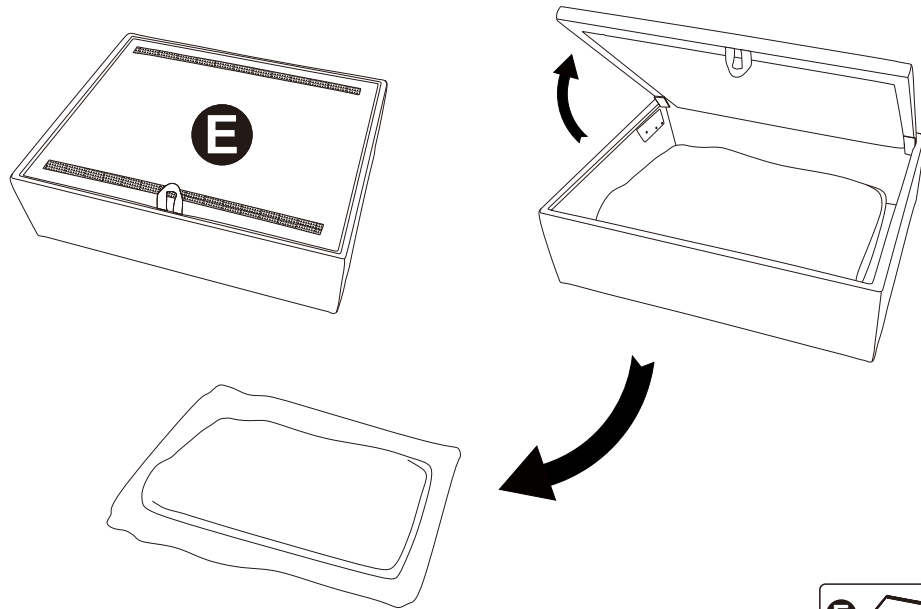
BOX B



Main structure accessories

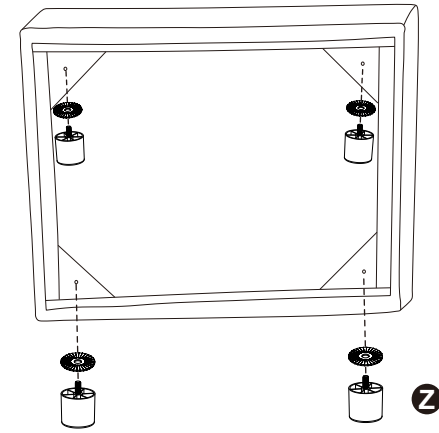


STEP 1



E x1

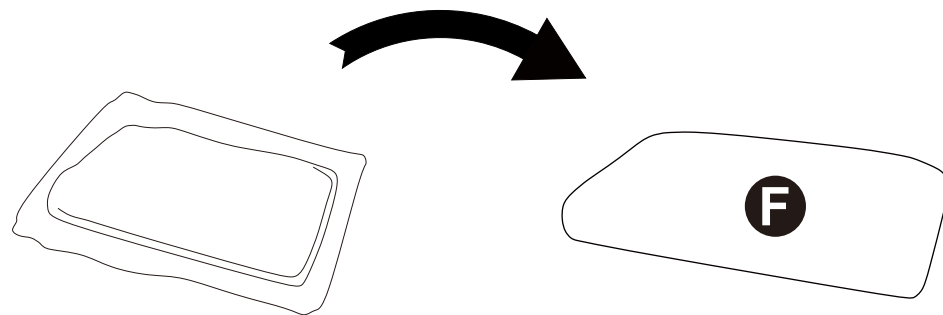
STEP 2



Z x4

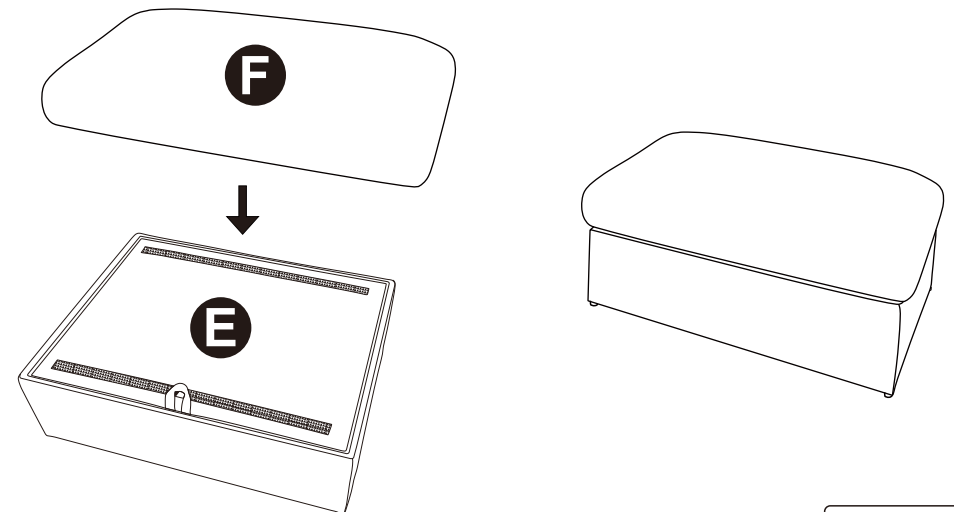
E x1

STEP 3



F x1

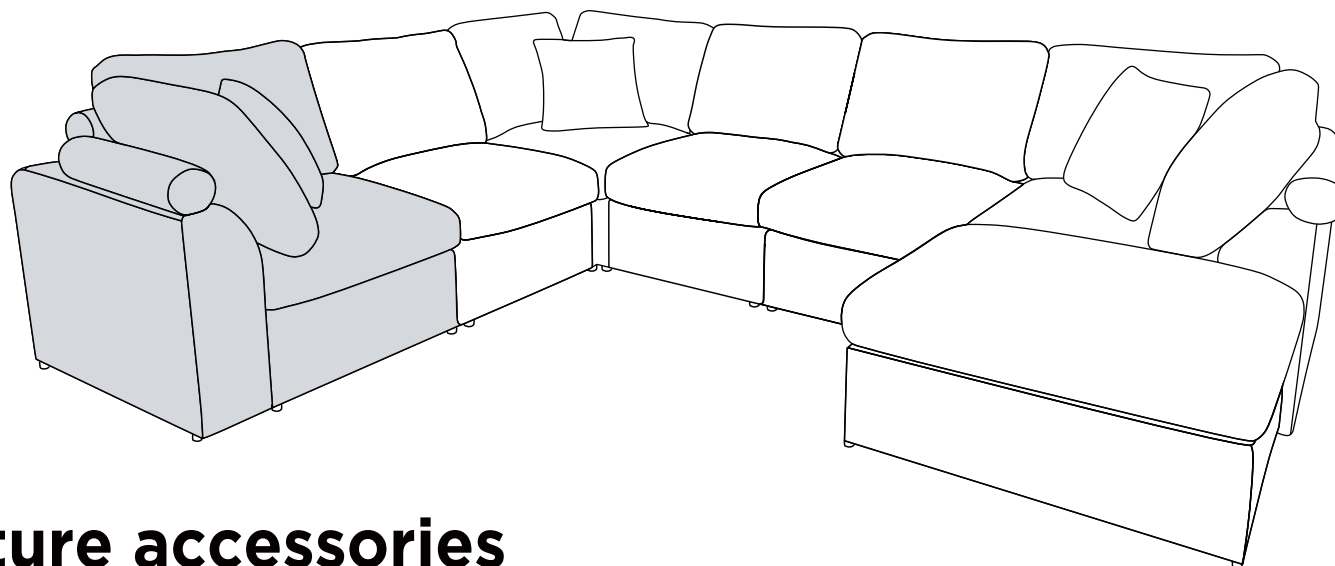
STEP 4



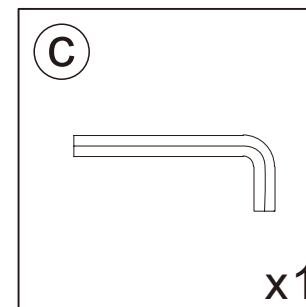
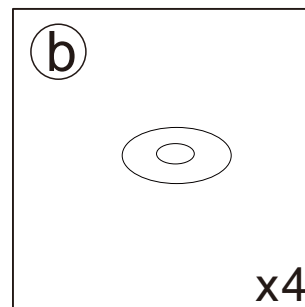
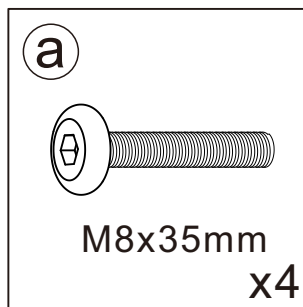
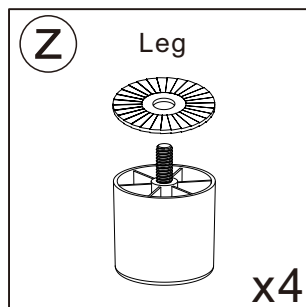
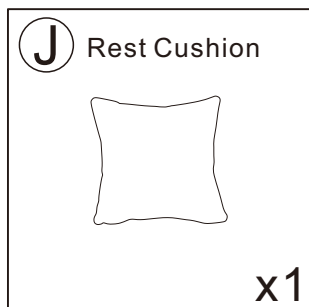
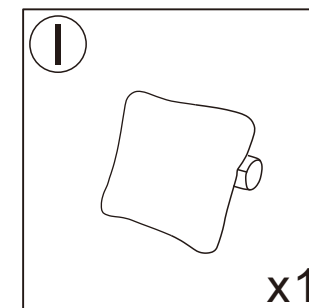
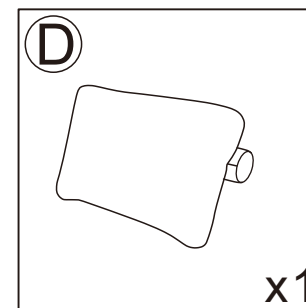
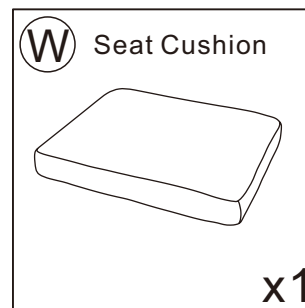
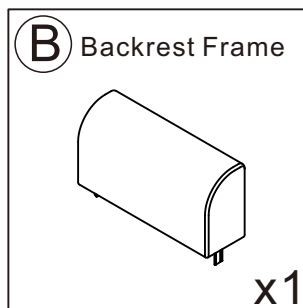
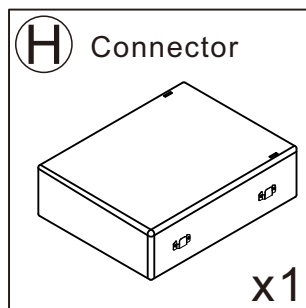
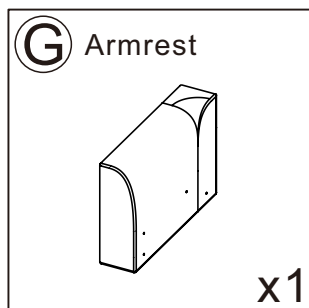
E x1

F x1

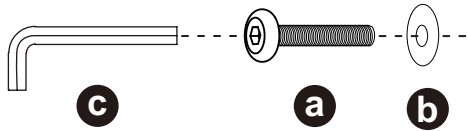
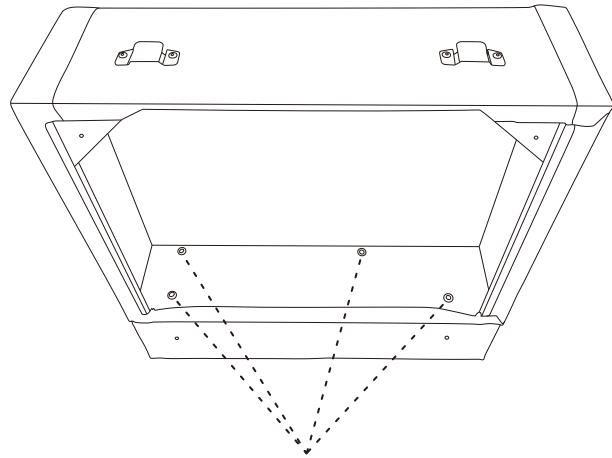
BOX C



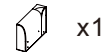




Main structure accessories

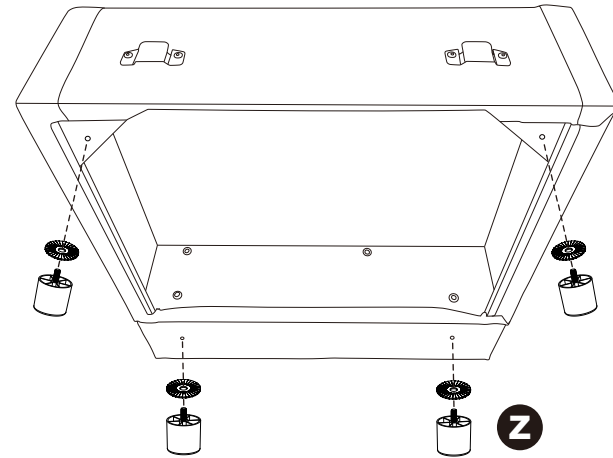





STEP 1



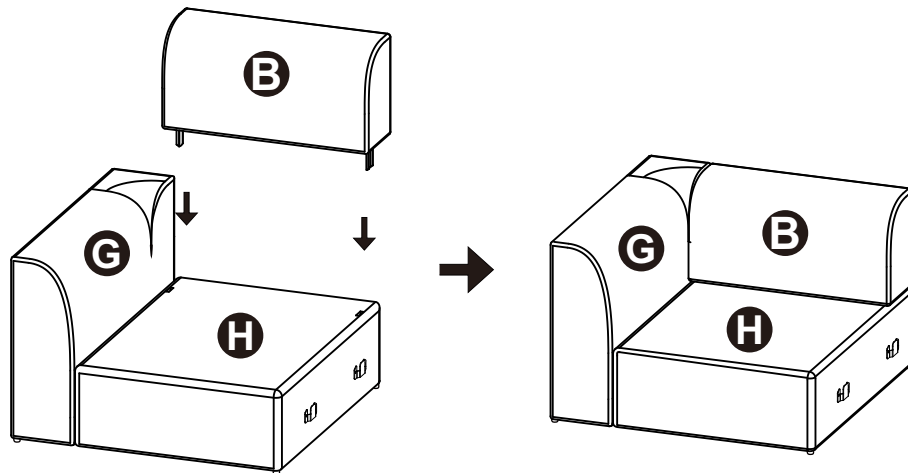
H  x1	a  x4
G  x1	b  x4
	c  x1




STEP 2



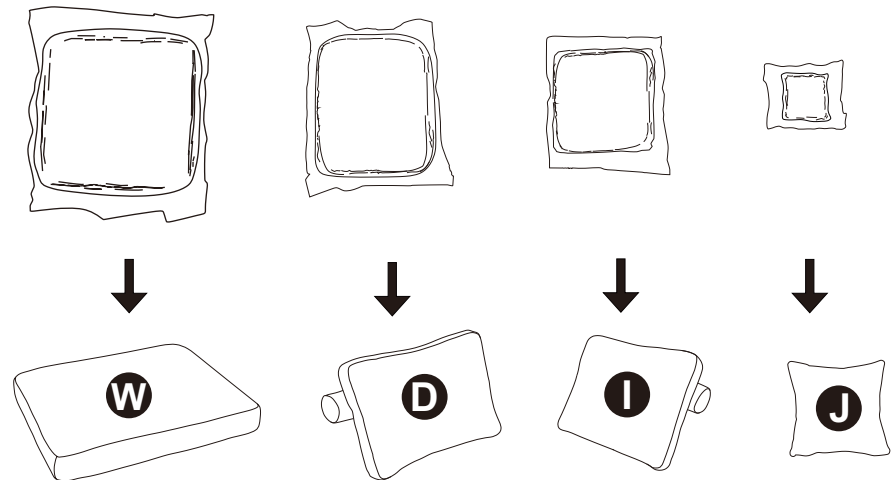
H  x1
G  x1
Z  x4





STEP 3



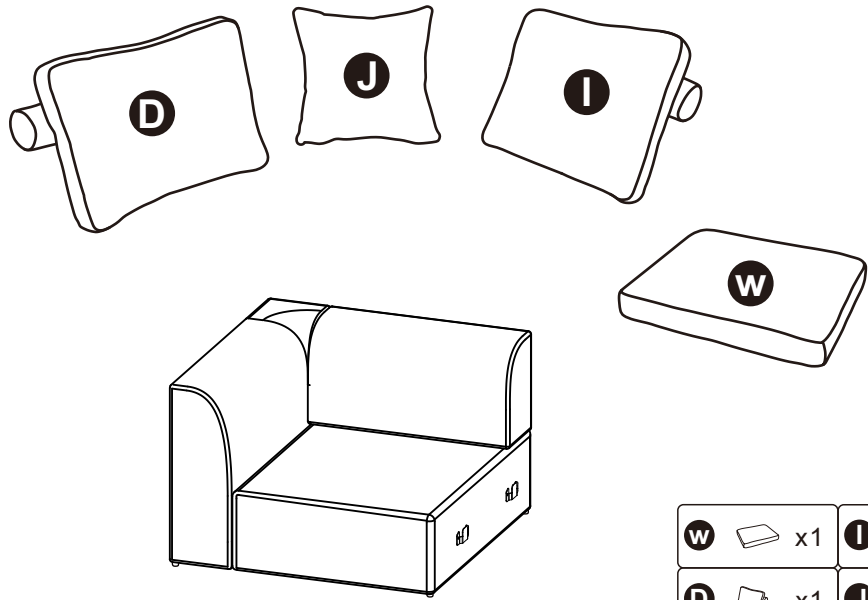
B  x1	H  x1
	G  x1

STEP 4

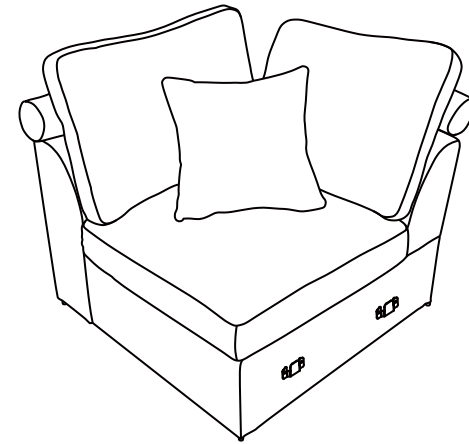


w  x1	I  x1
D  x1	J  x1

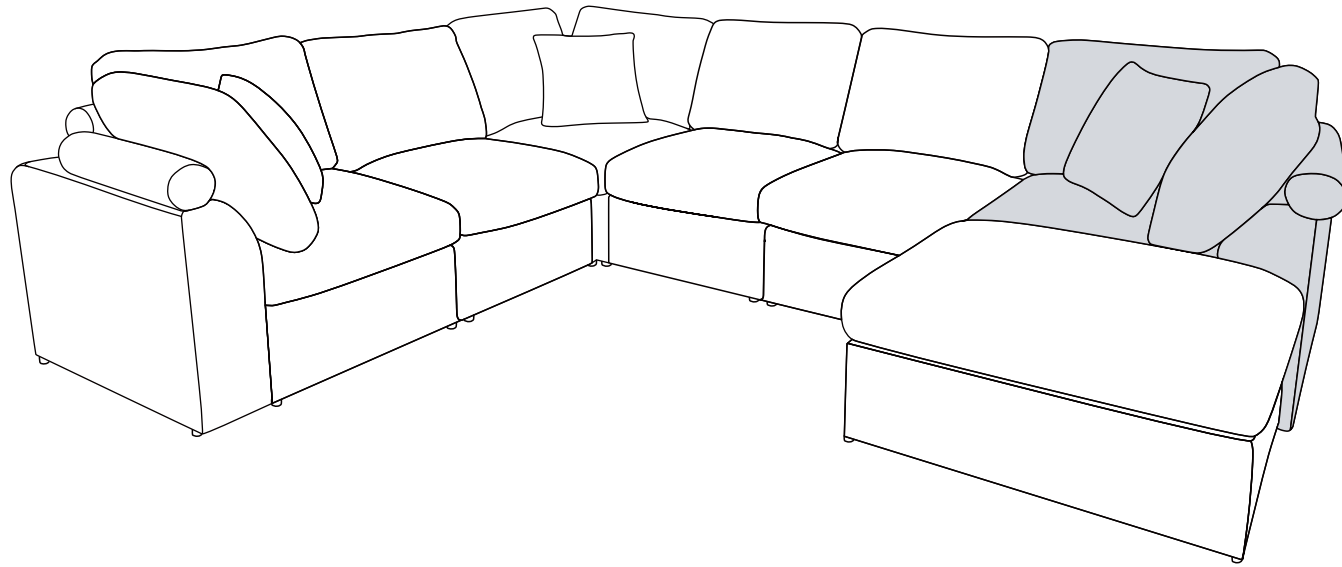
STEP 5



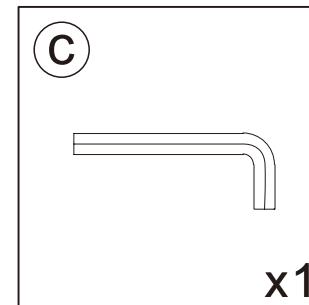
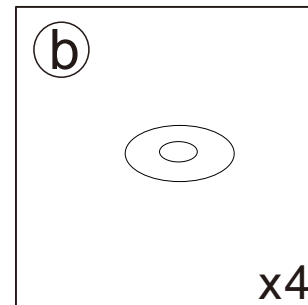
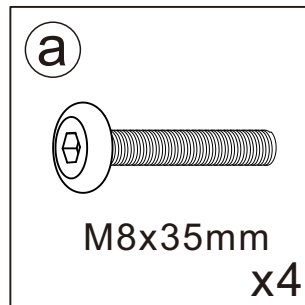
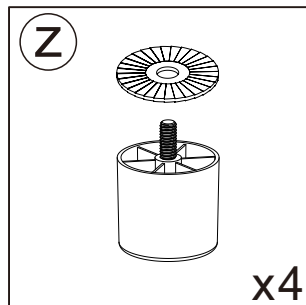
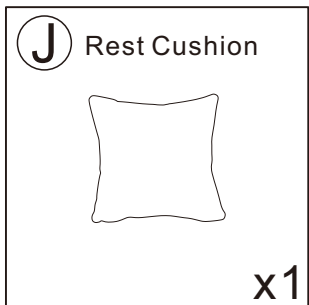
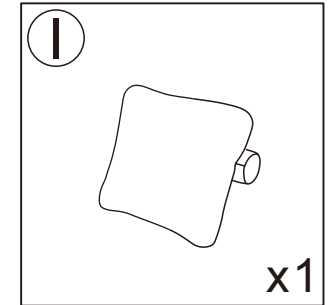
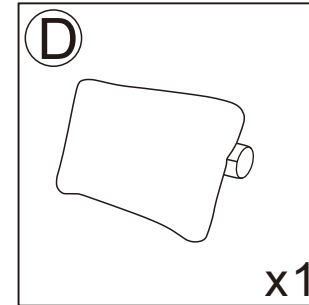
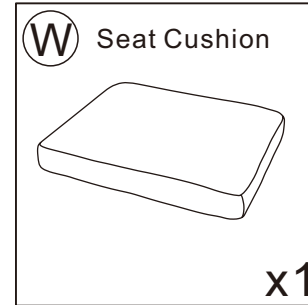
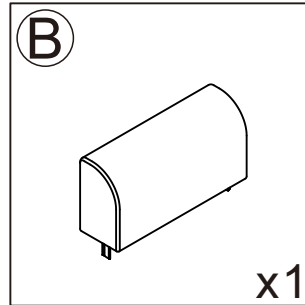
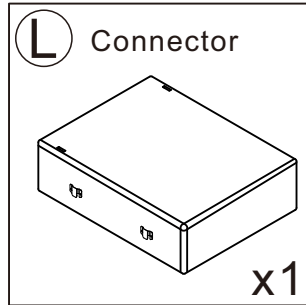
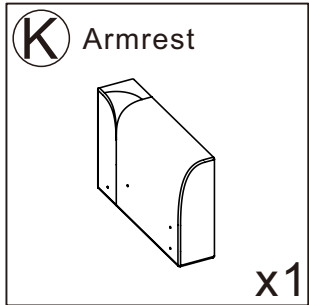
STEP 6



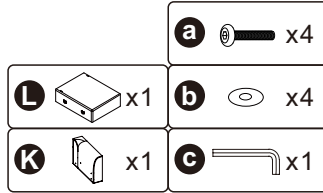
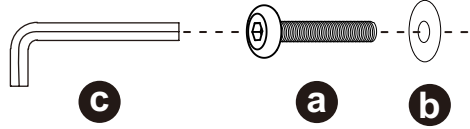
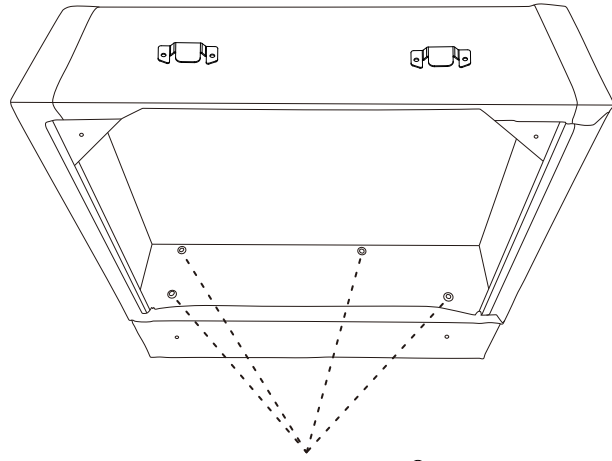
BOX D



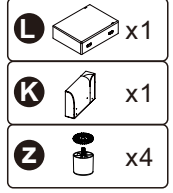
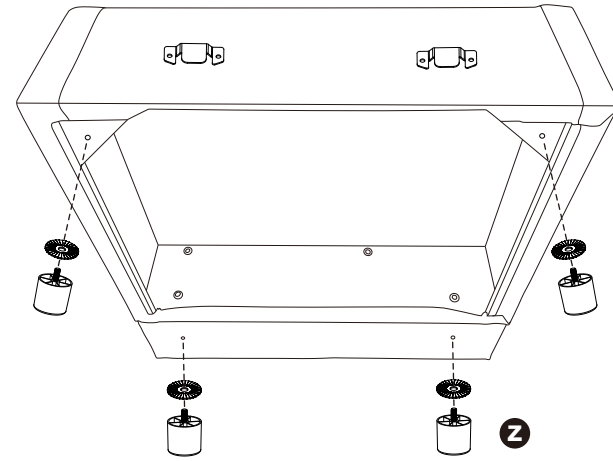
Main structure accessories



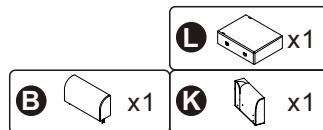
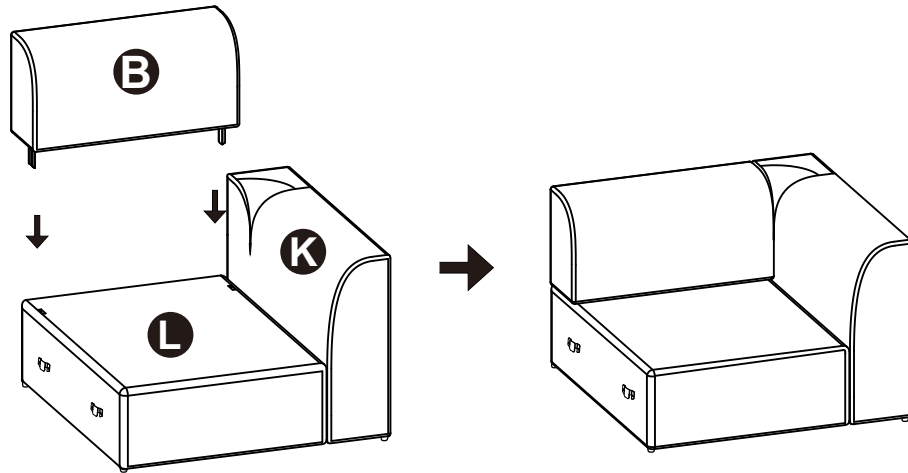
STEP 1



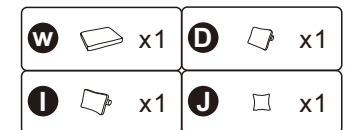
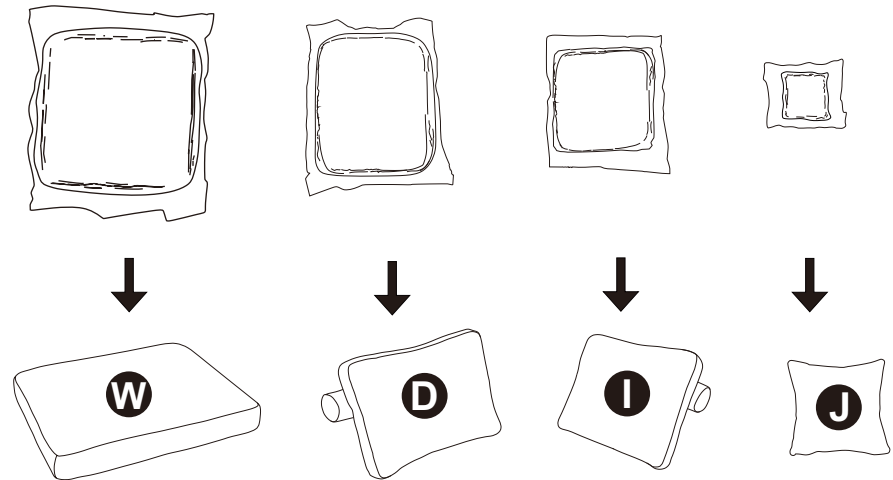
STEP 2



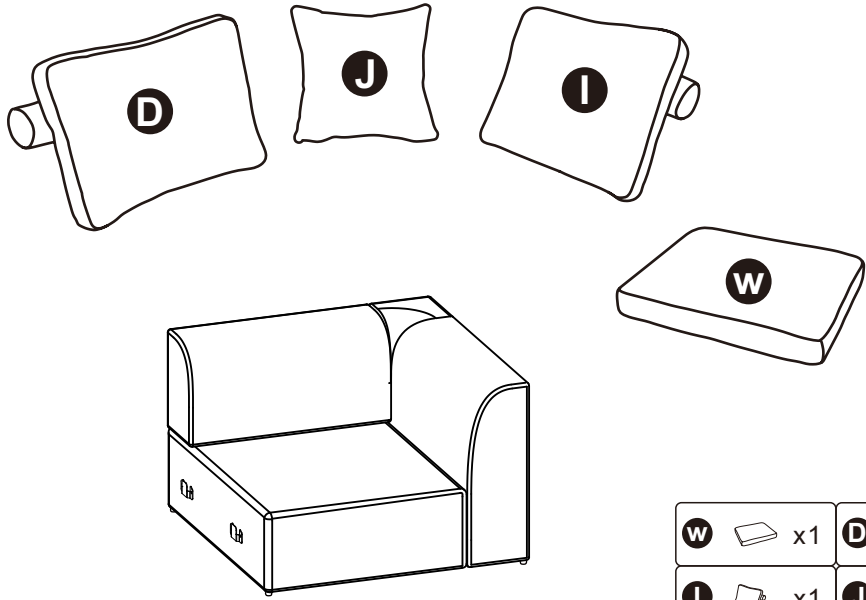
STEP 3







STEP 4

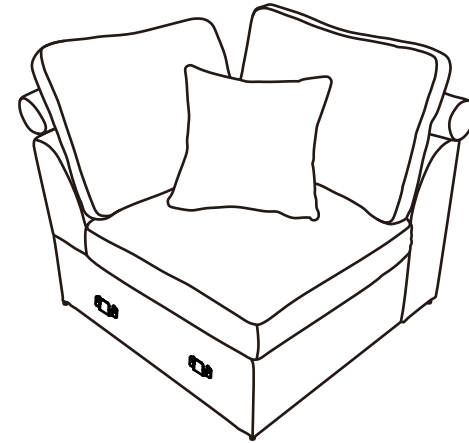


STEP 5

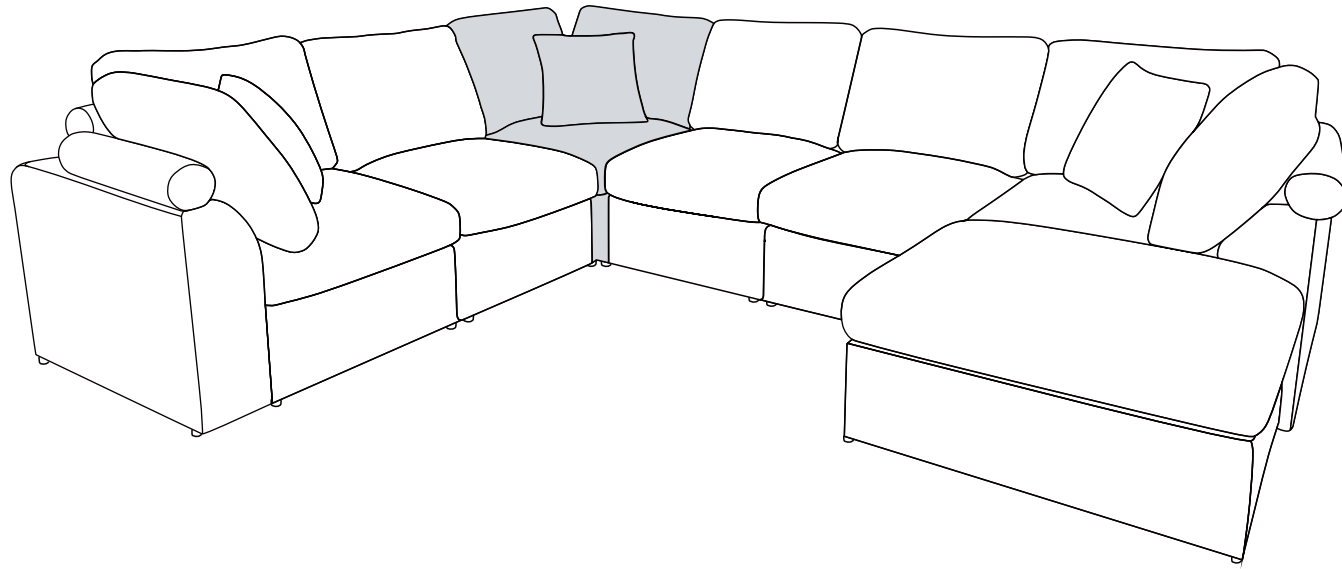


W  x1	D  x1
I  x1	J  x1

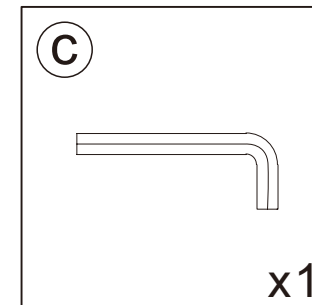
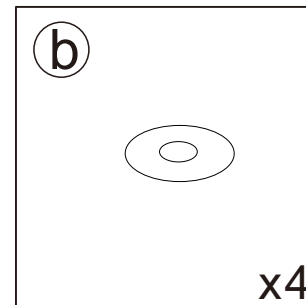
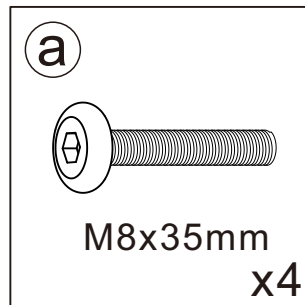
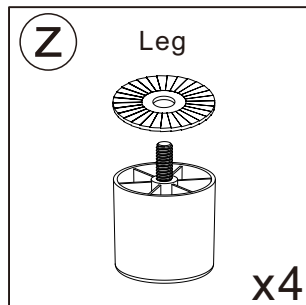
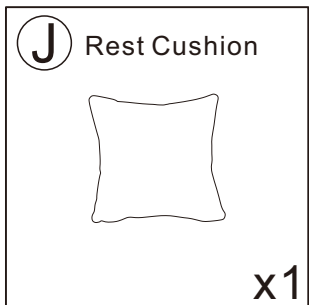
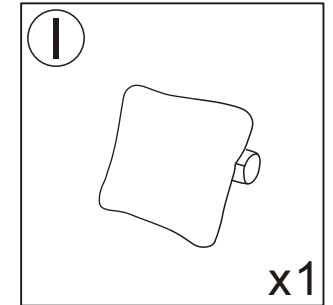
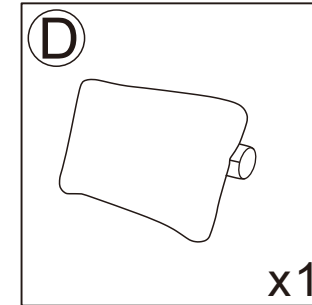
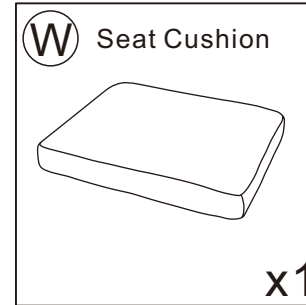
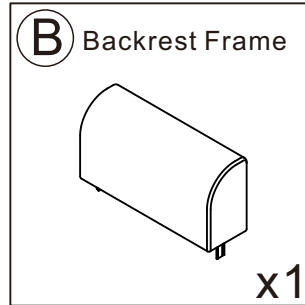
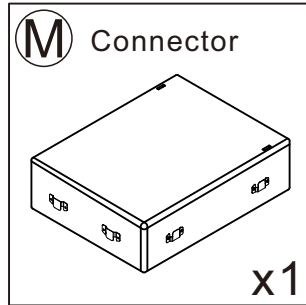
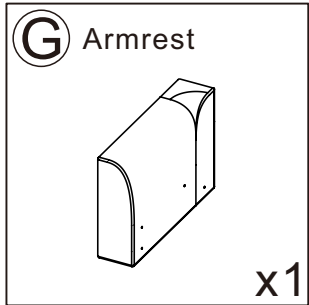
STEP 6



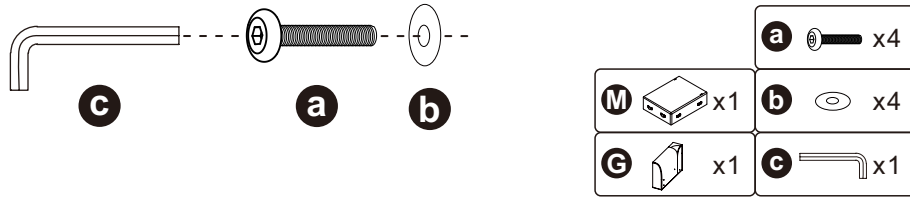
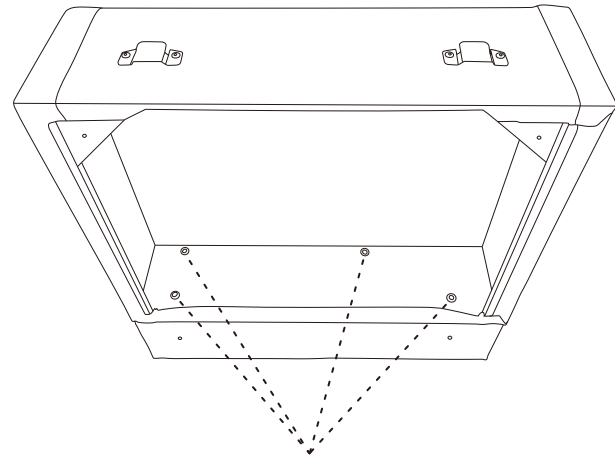
BOX E



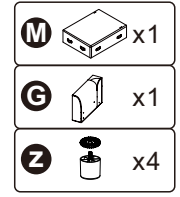
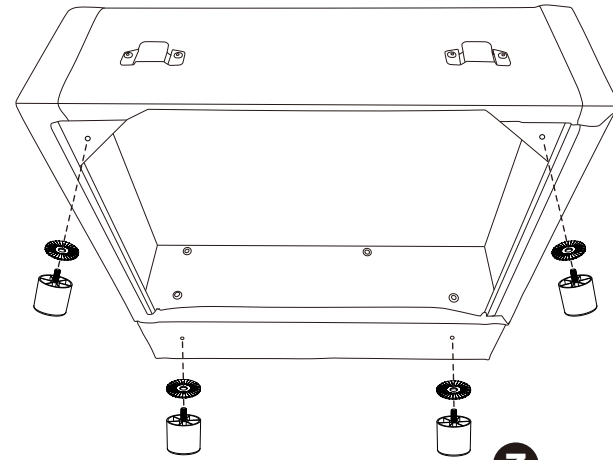
Main structure accessories



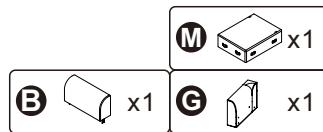
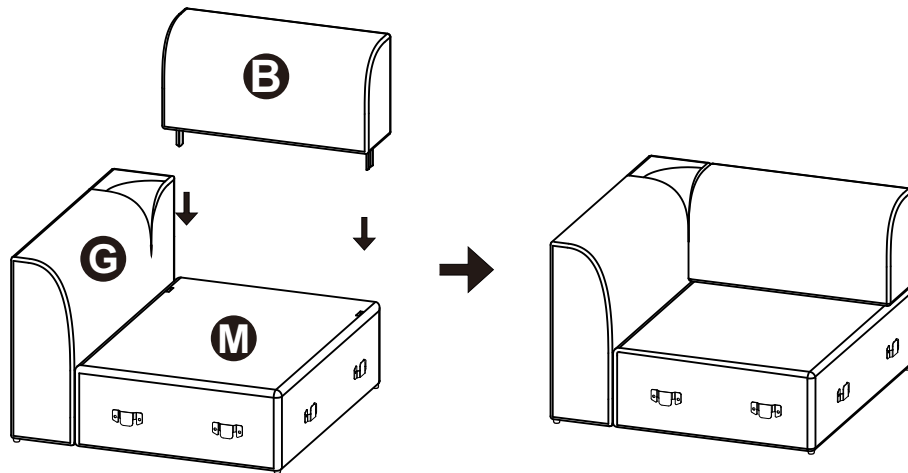
STEP 1



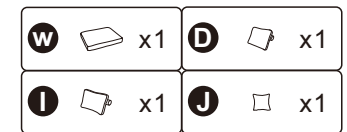
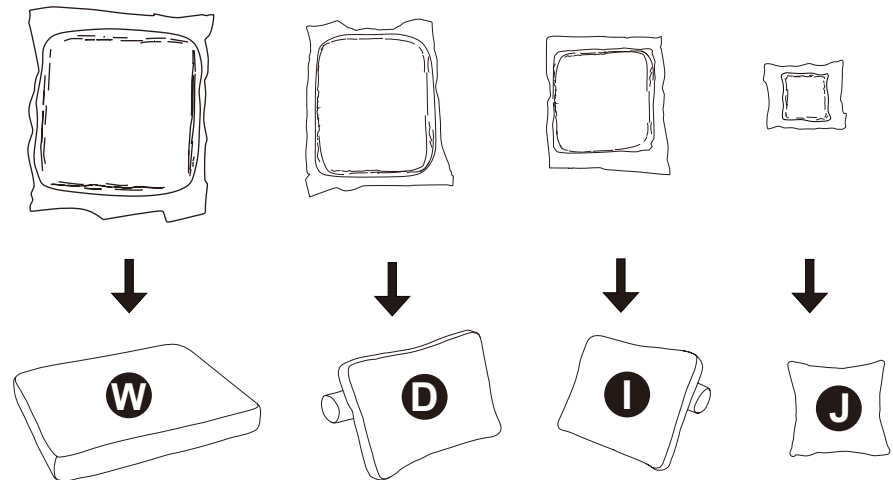
STEP 2



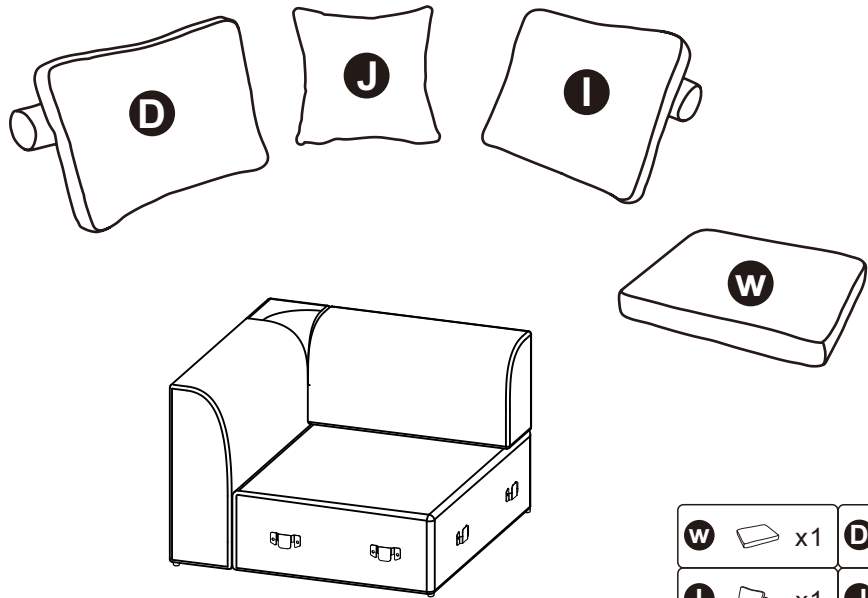
STEP 3



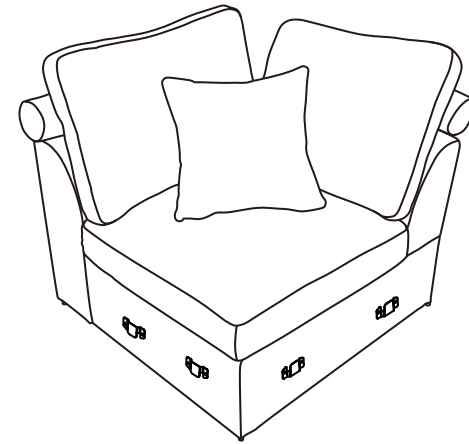
STEP 4



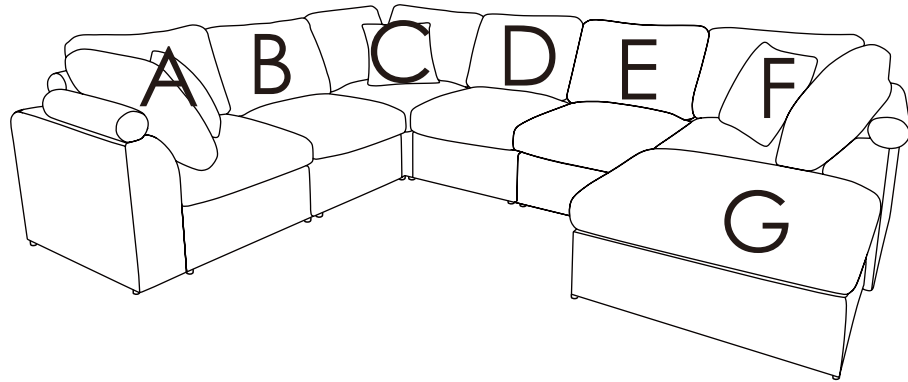
STEP 5



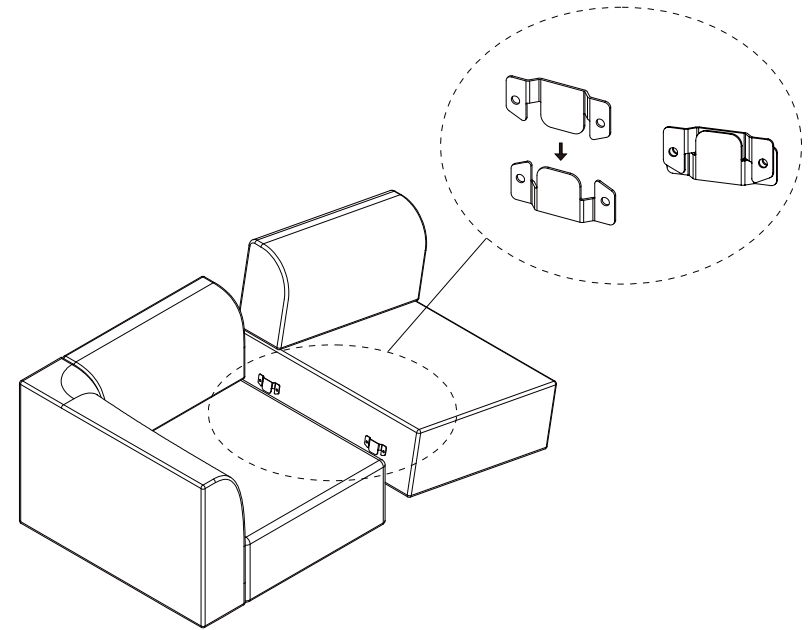
STEP 6



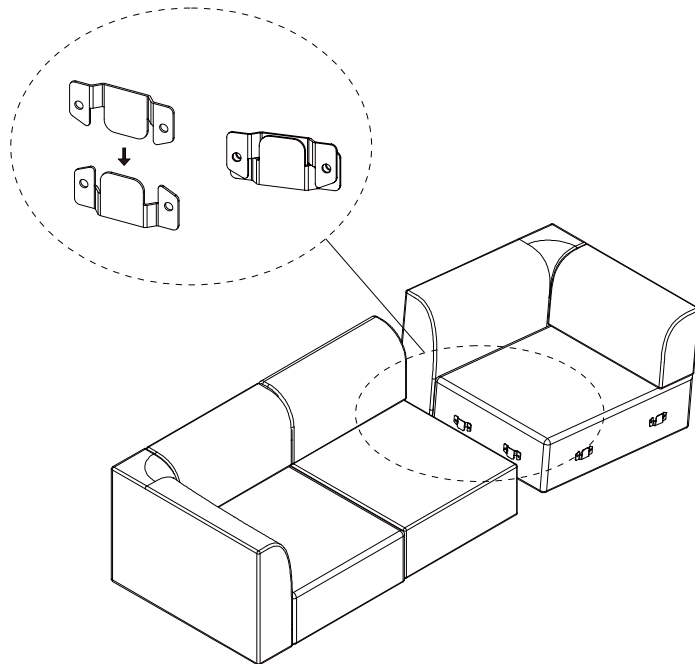
Combine 7-Seat



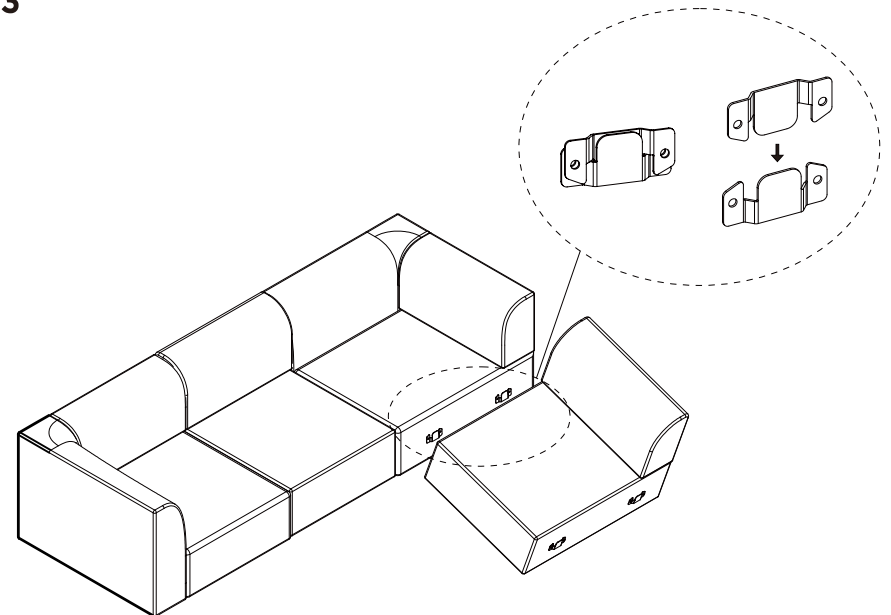
STEP 1



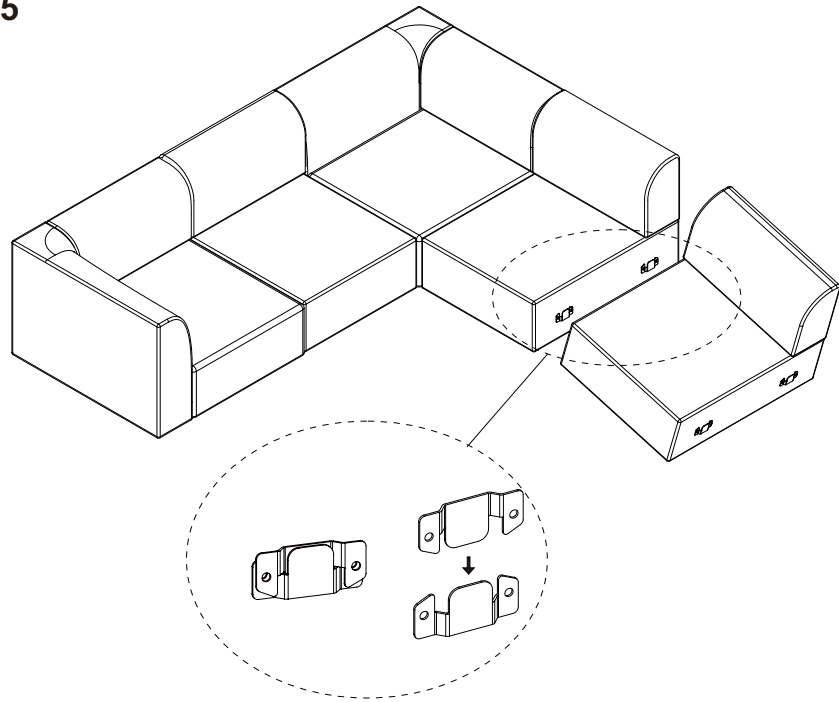
STEP 2



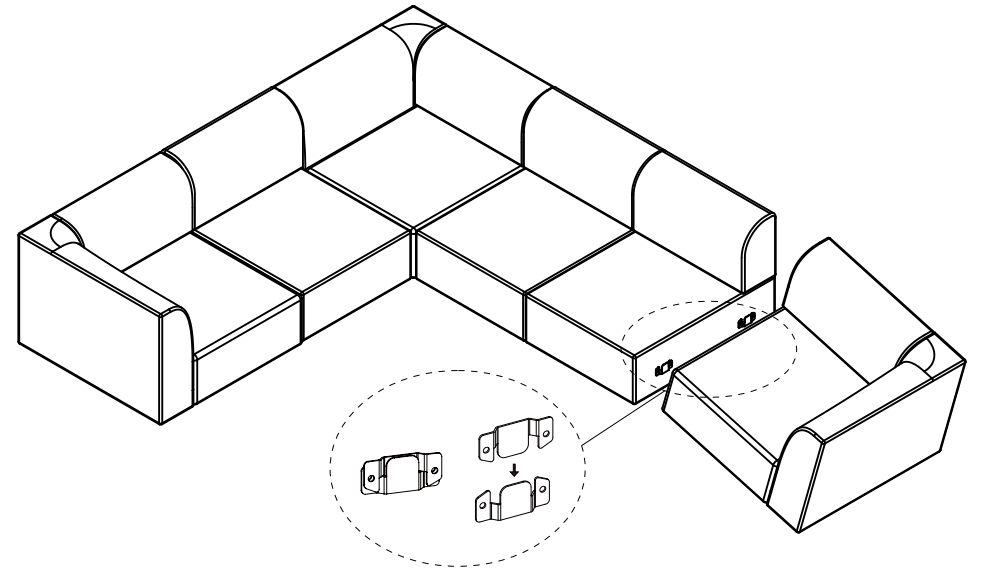
STEP 3



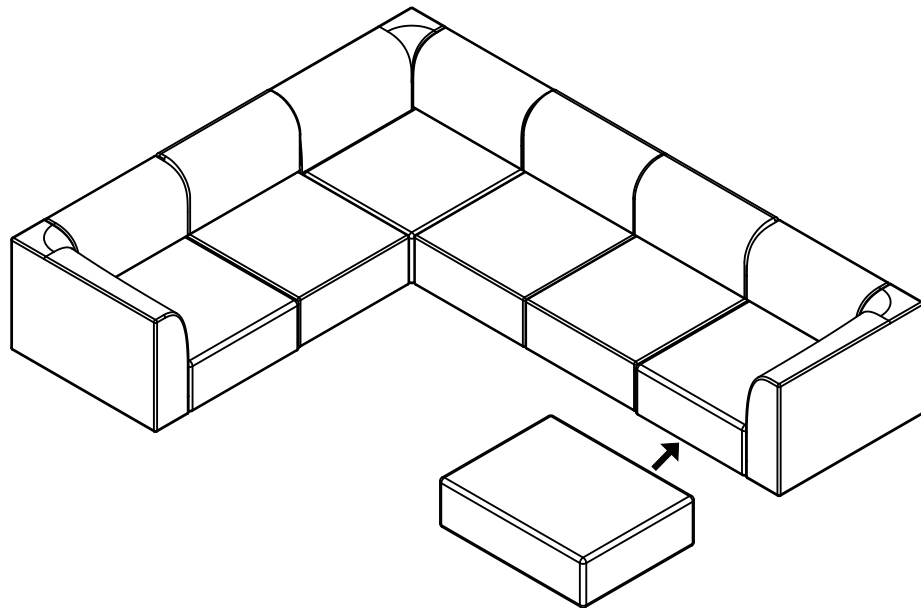
STEP 5



STEP 6



STEP 7



STEP 8

