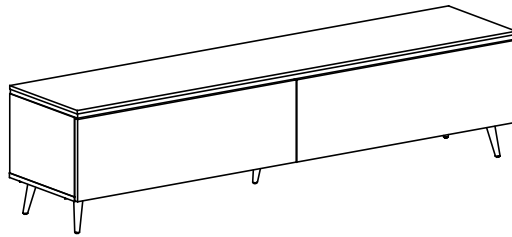
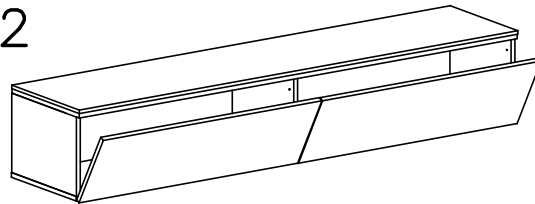


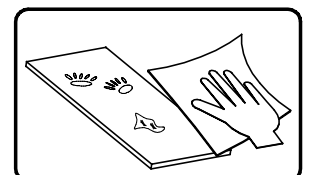
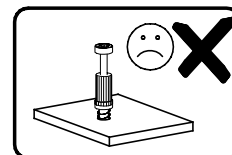
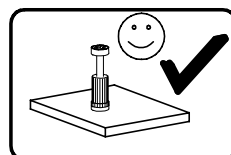
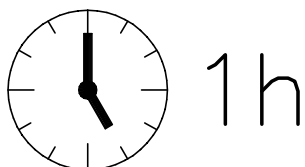
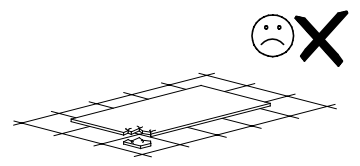
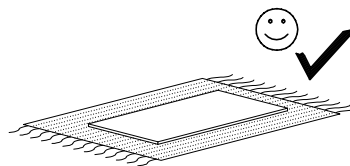
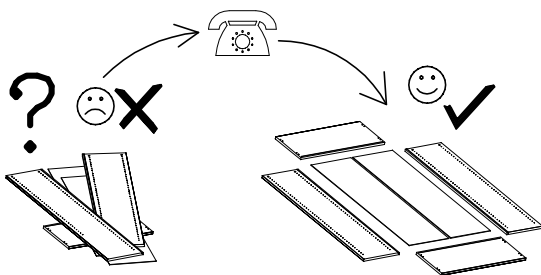
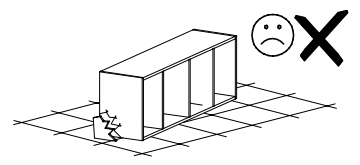
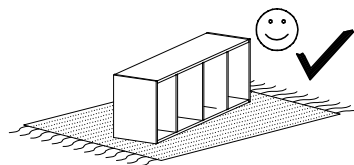
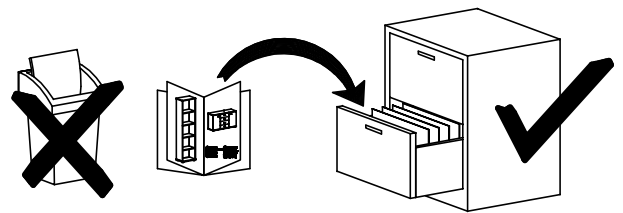
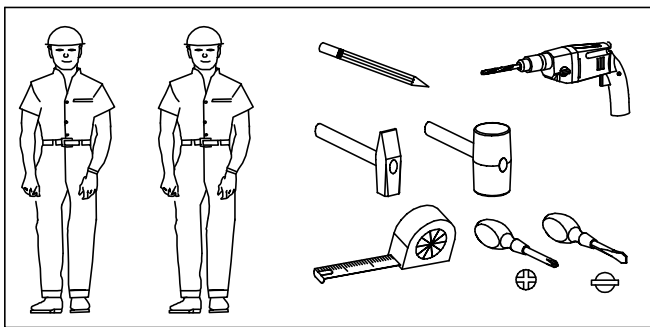
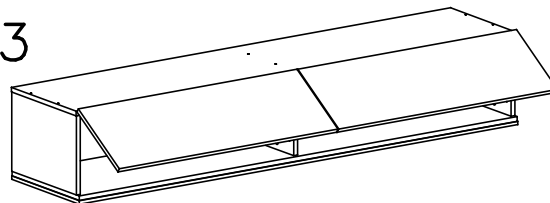
Ver. 1

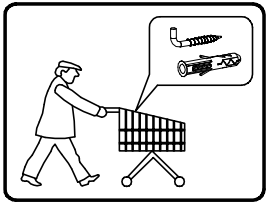
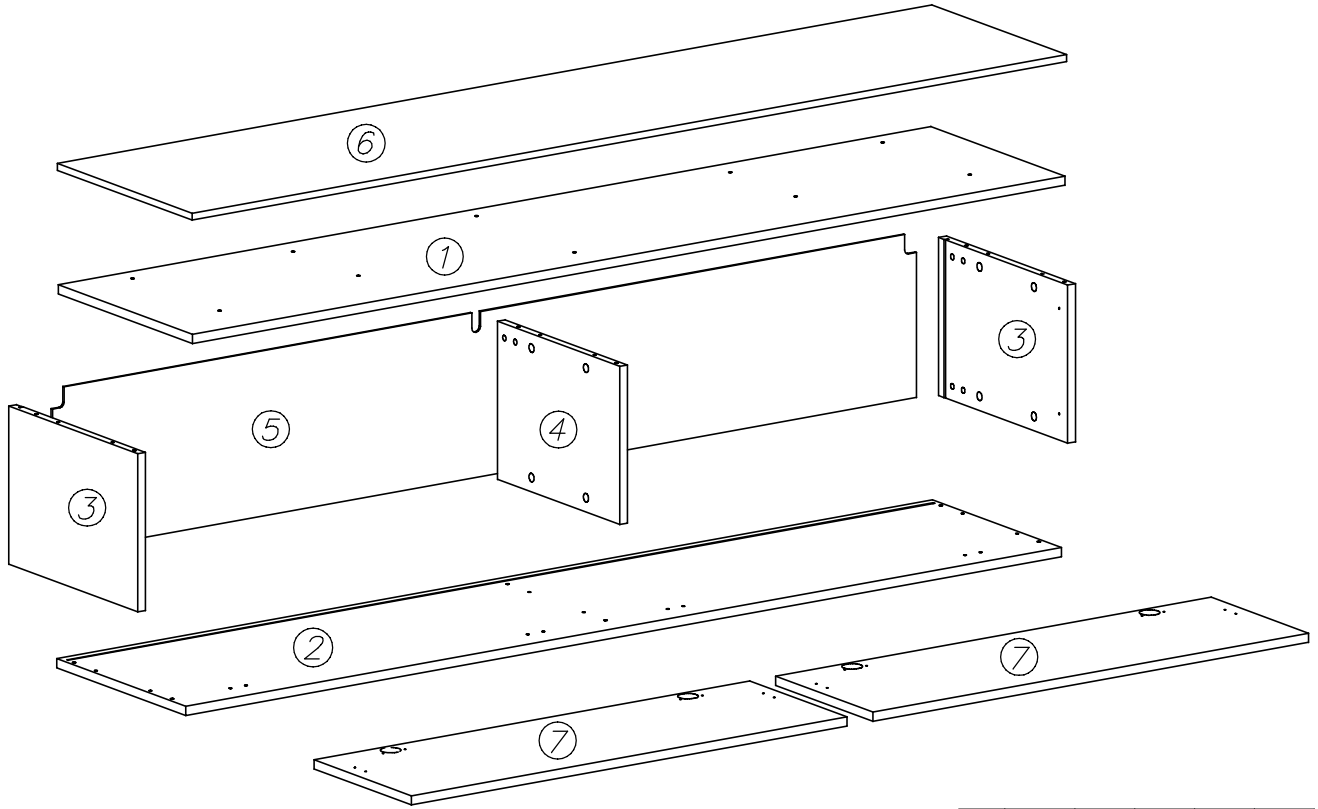
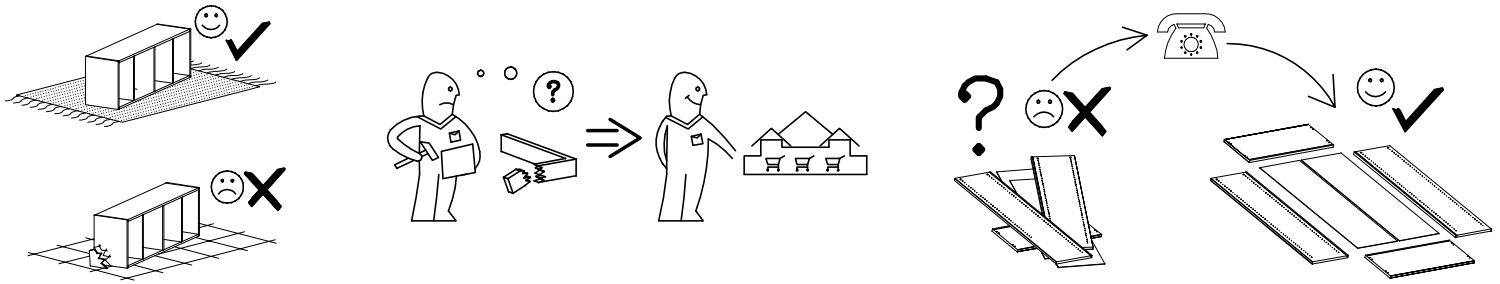


Ver. 2



Ver. 3



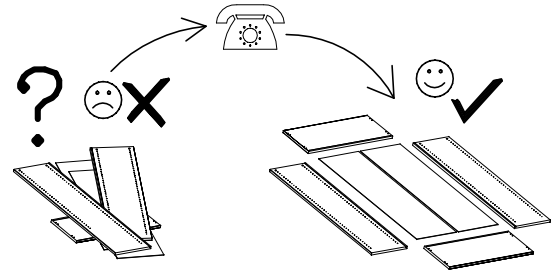
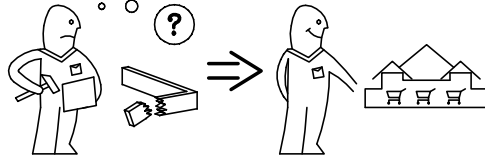
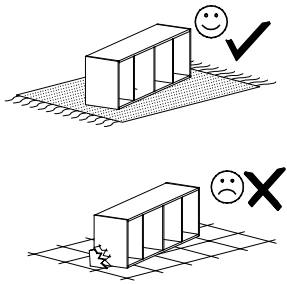


nr	L[mm]	B[mm]	T[mm]	Menge	Colli
1	1796	394	16	1	1/1
2	1800	379	16	1	1/1
3	276	379	16	2	1/1
4	276	359	16	1	1/1
5	1778	288	3	1	1/1
6	1800	396	10	1	1/1
7	897	287	16	2	1/1

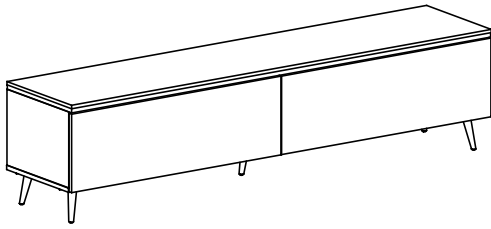


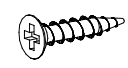
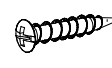
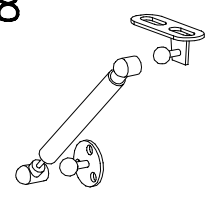

17	
ø18	x...(12)

U9L  x...(1)	U9R  x...(2)	L13  x...(2)	C3  x...(4)	U10R  x...(2)
K1  ø15x12 x...(12)	G55  6x22 x...(10)	G57  3,5x16 x...(4)	Z35PR  x...(4)	H=2 U10L  x...(1)
K10  x...(12)	I8  ø14 x...(4)	B2  ø6x35 x...(12)	G34  3,5x16 x...(11)	I1  x...(10)

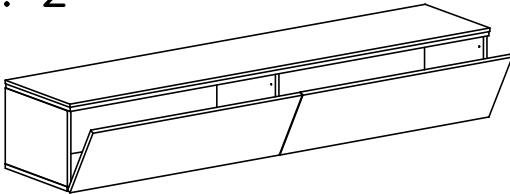


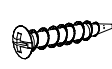
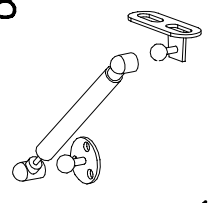
Ver. 1



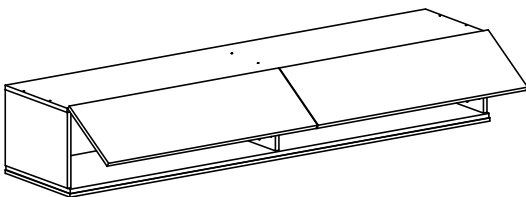
<p><b>G4</b> 4x16 x...(20)</p> 	<p><b>G32</b> 3,5x16 x...(10)</p> 	<p><b>L8</b> x...(2)</p> 
<p><b>LEG</b> x...(5)</p> 		


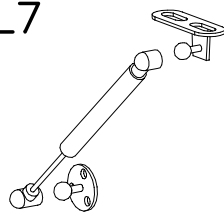
Ver. 2



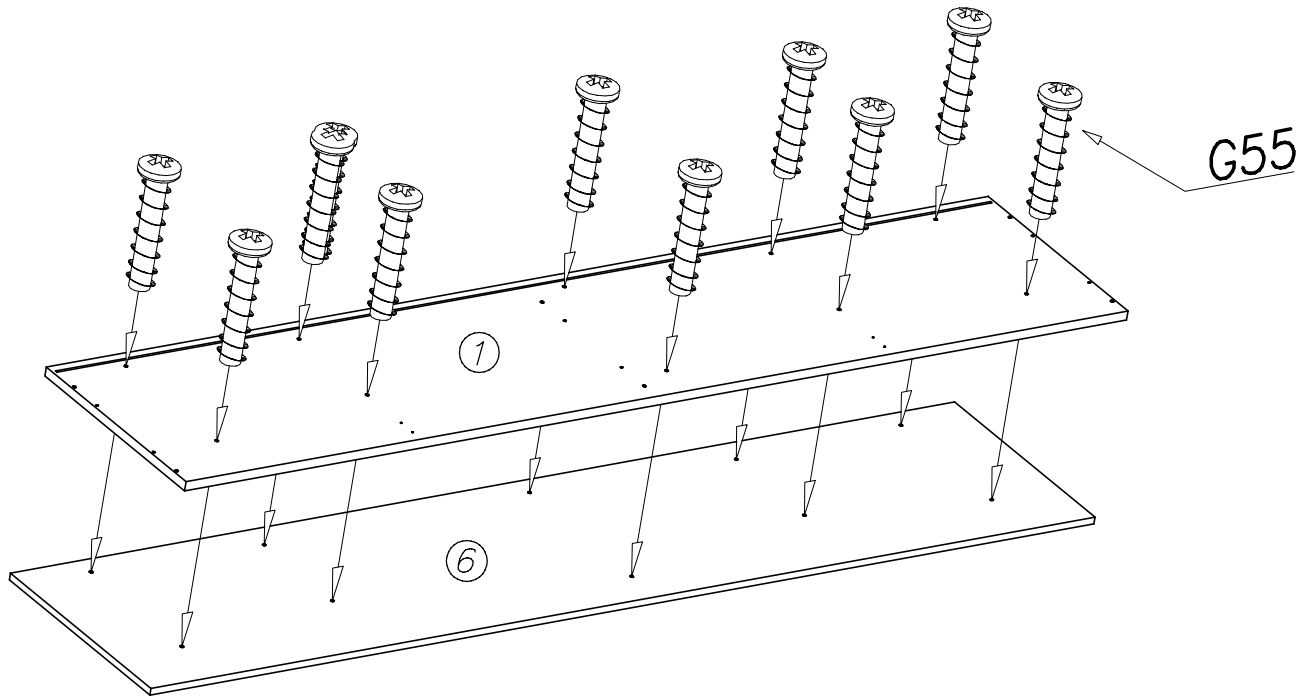
<p><b>G32</b> 3,5x16 x...(10)</p> 	<p><b>L8</b> x...(2)</p> 
---	--

Ver. 3

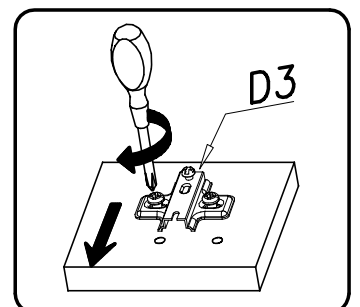
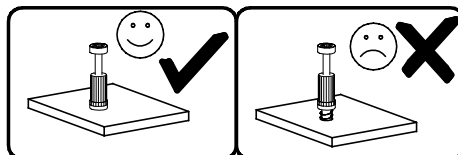
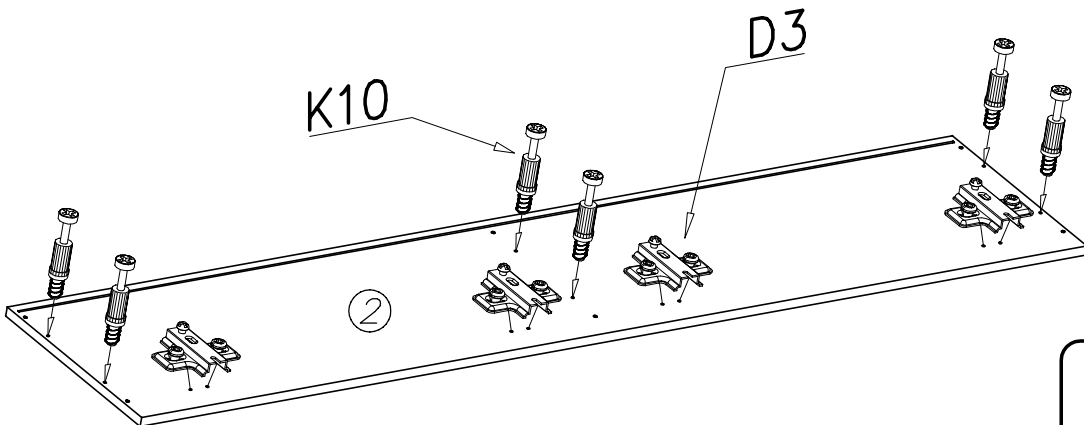
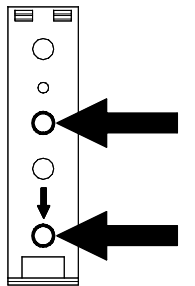
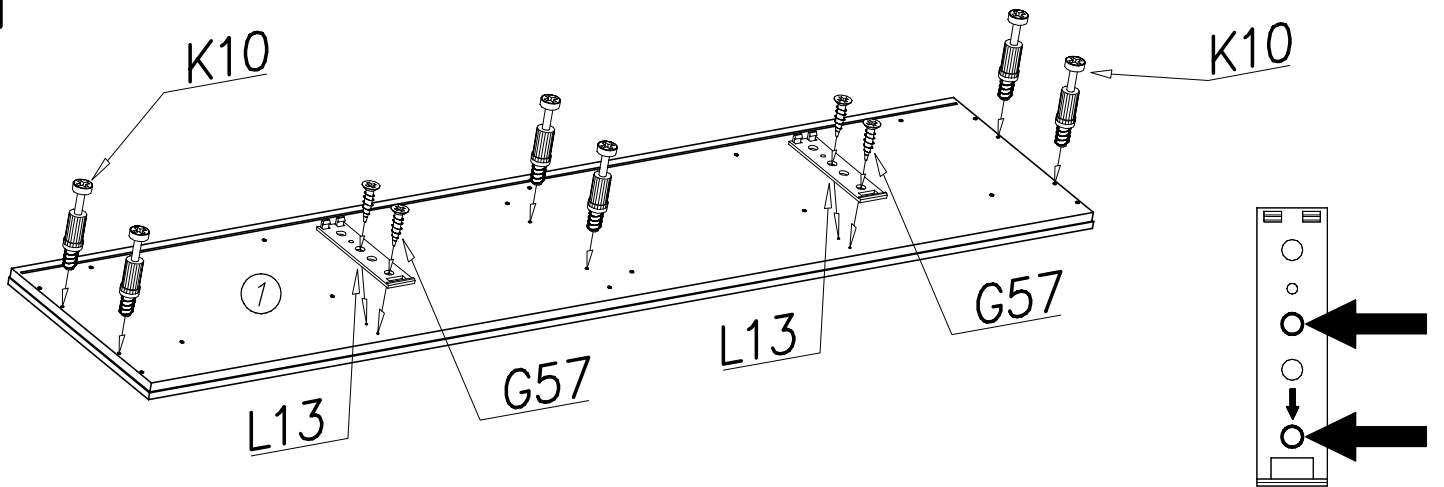


<p><b>G32</b> 3,5x16 x...(10)</p> 	<p><b>L7</b> x...(2)</p> 
---	--

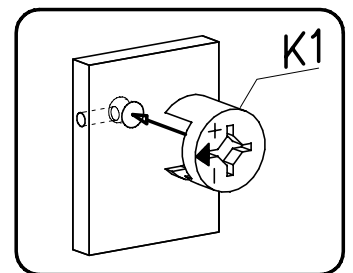
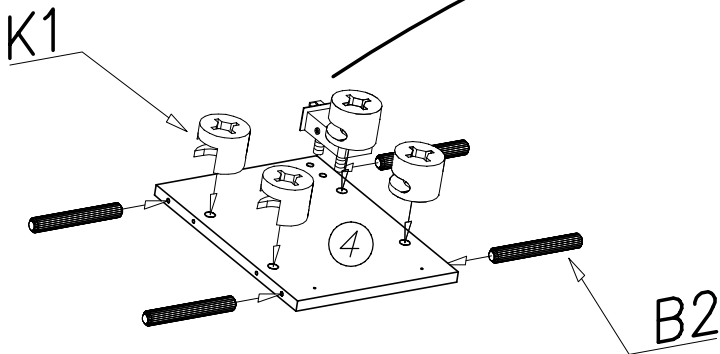
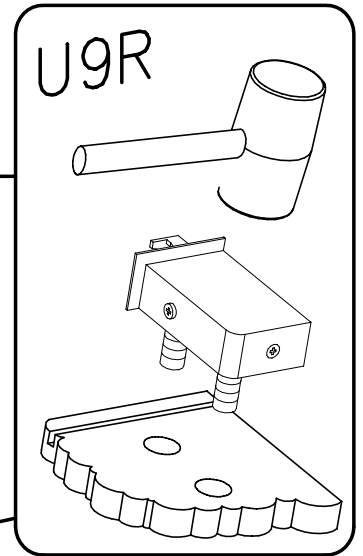
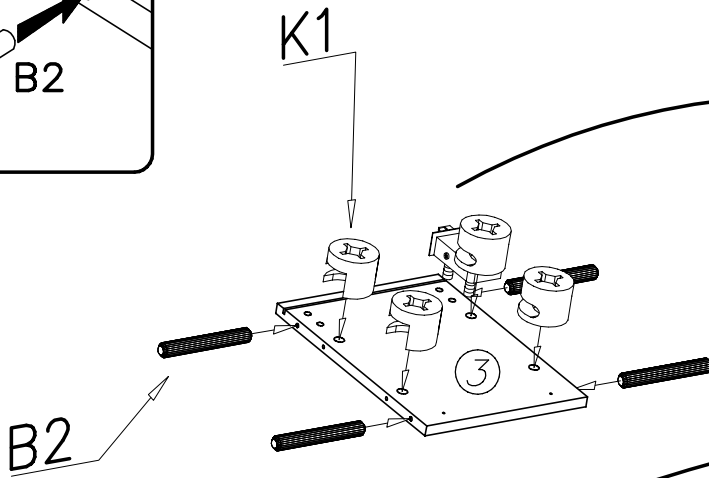
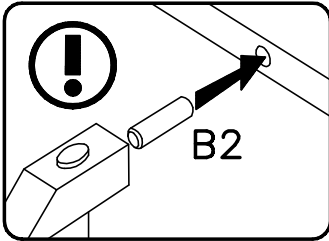
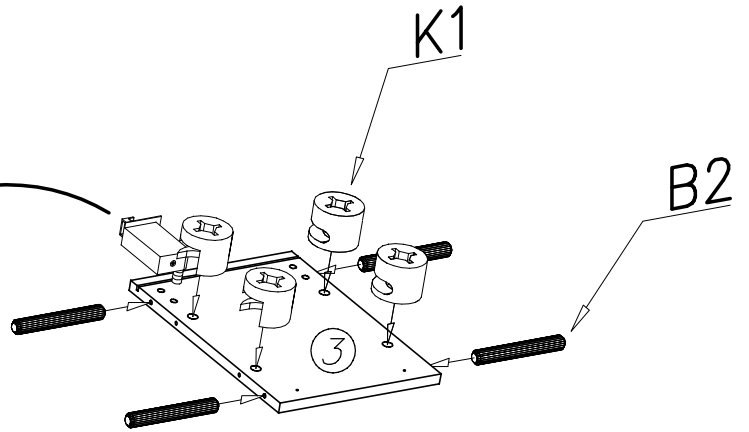
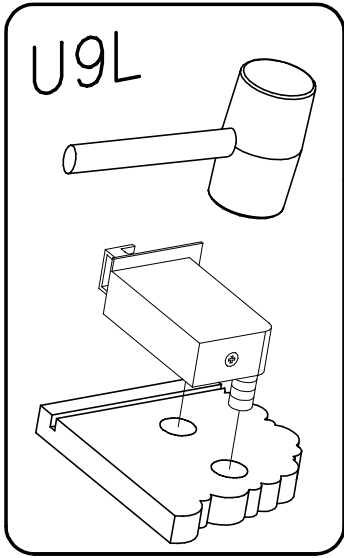
I



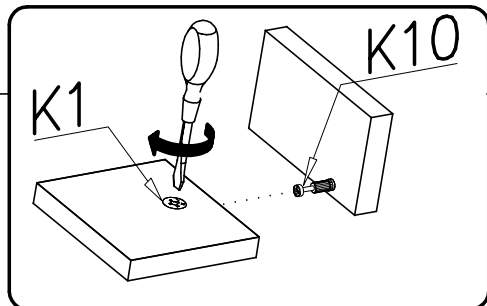
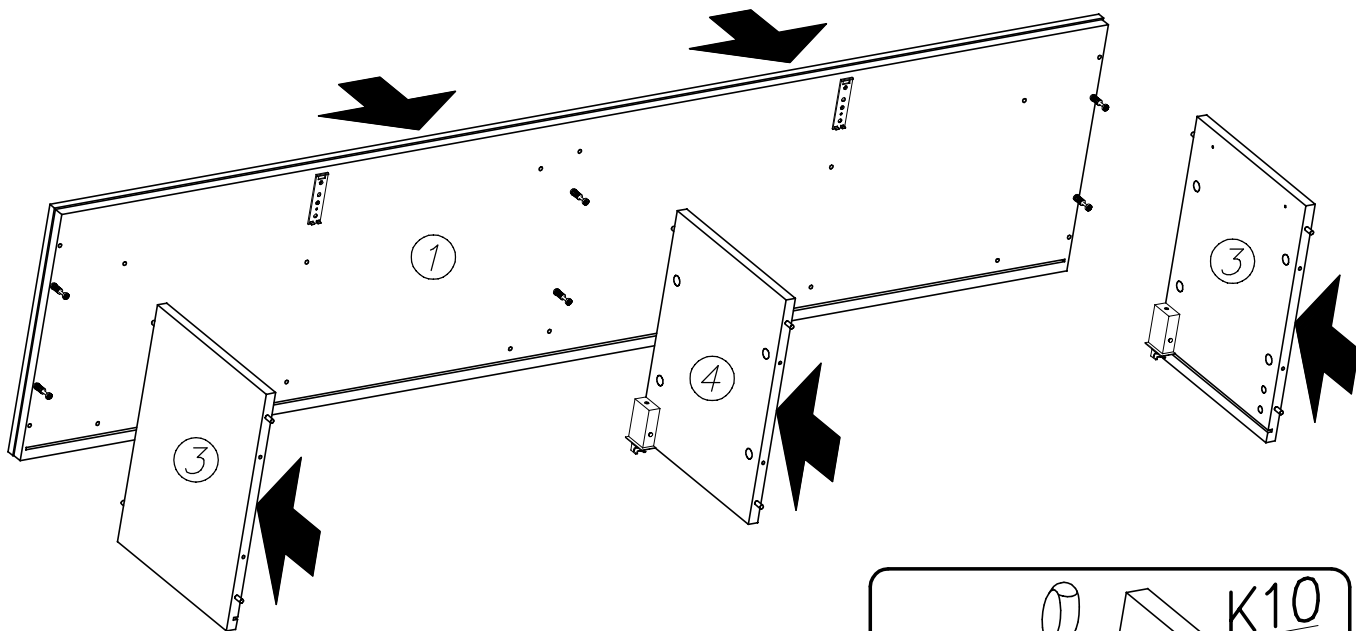
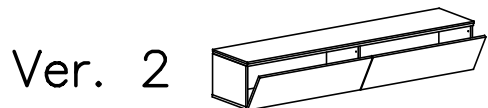
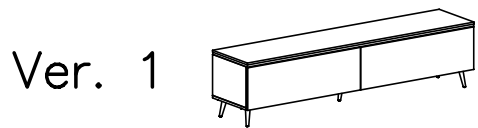
II



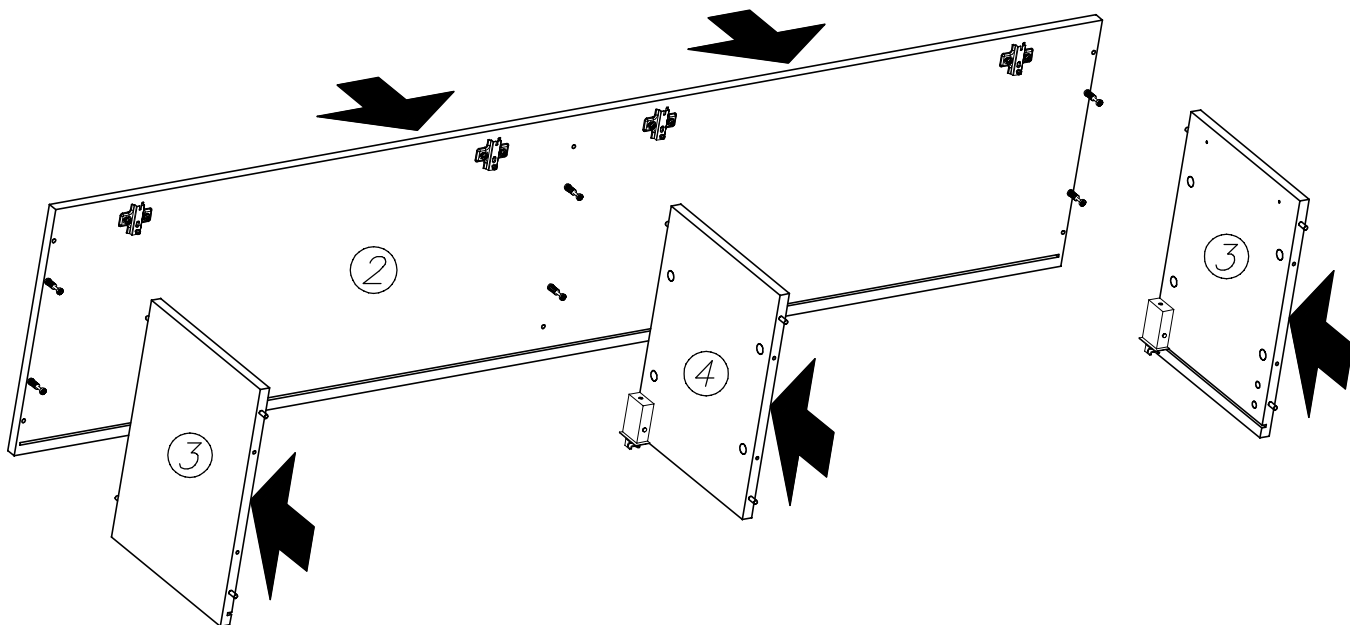
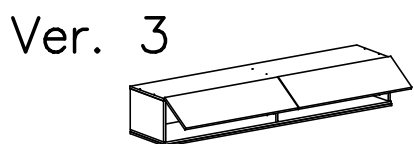
III



# IV

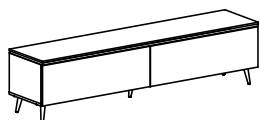


# V

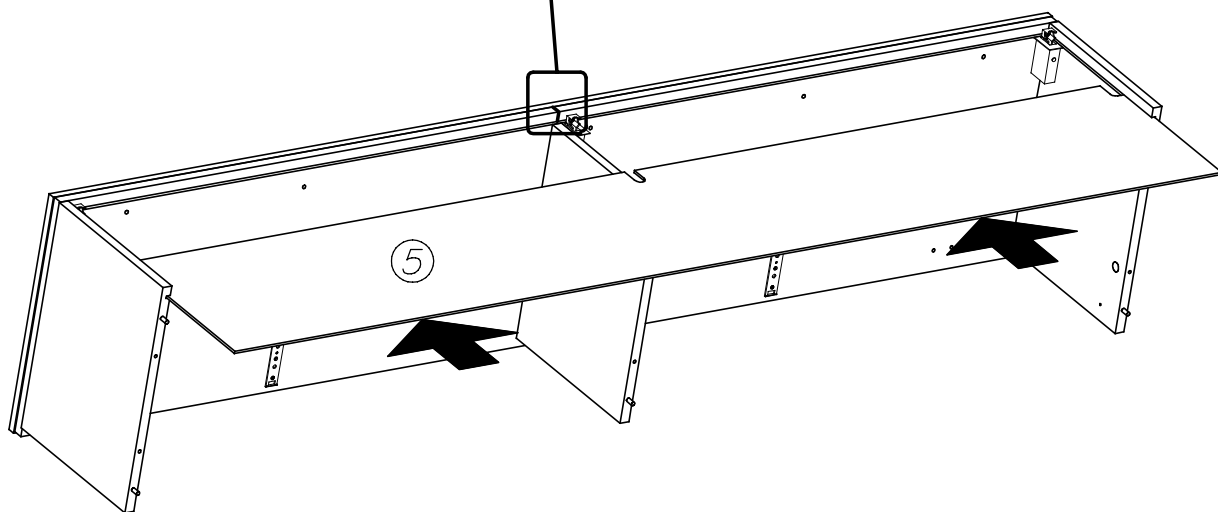
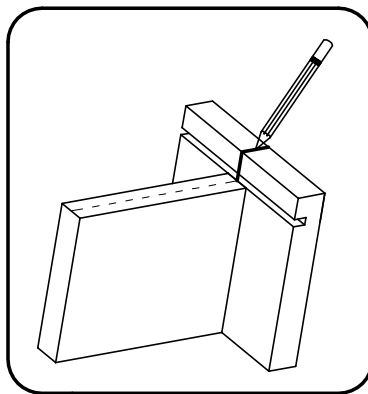
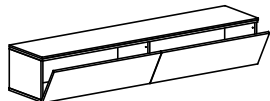


# VI

Ver. 1

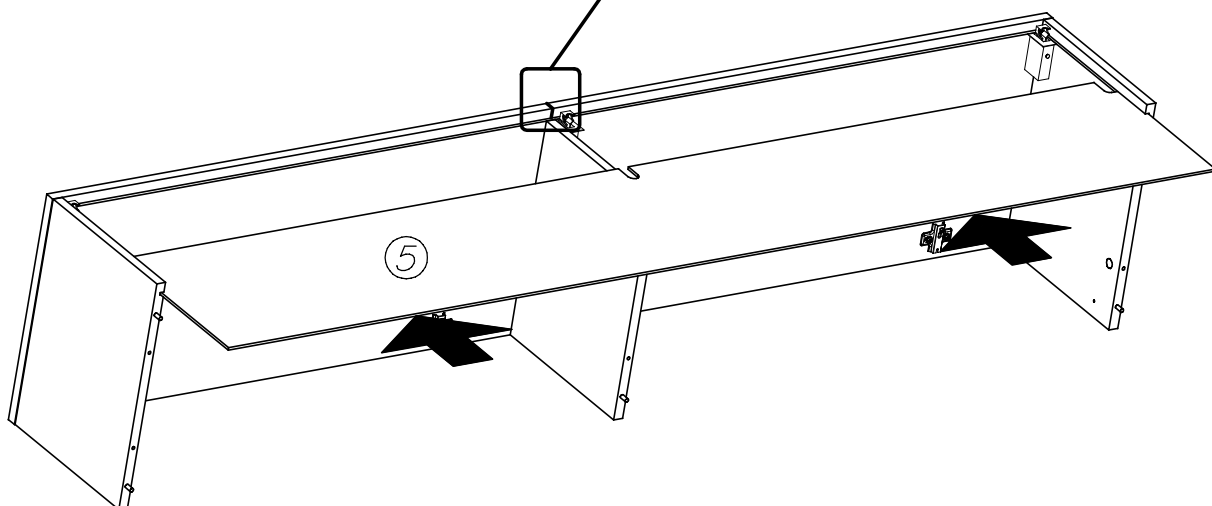
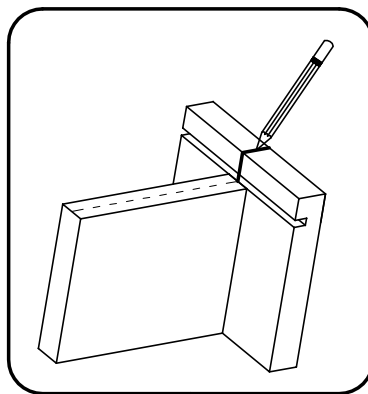
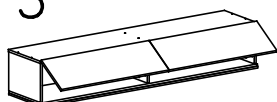


Ver. 2



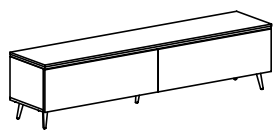
# VII

Ver. 3

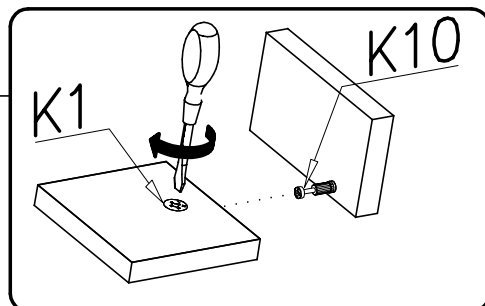
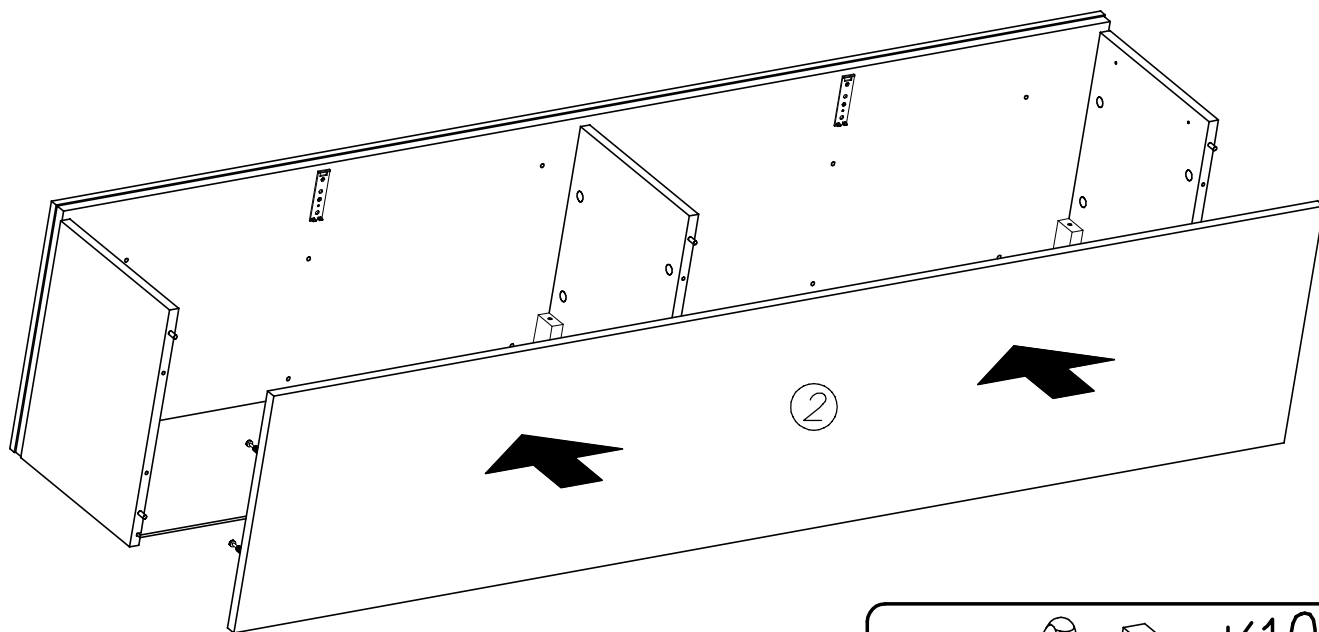
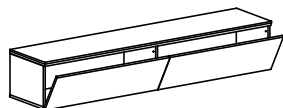


# VIII

Ver. 1

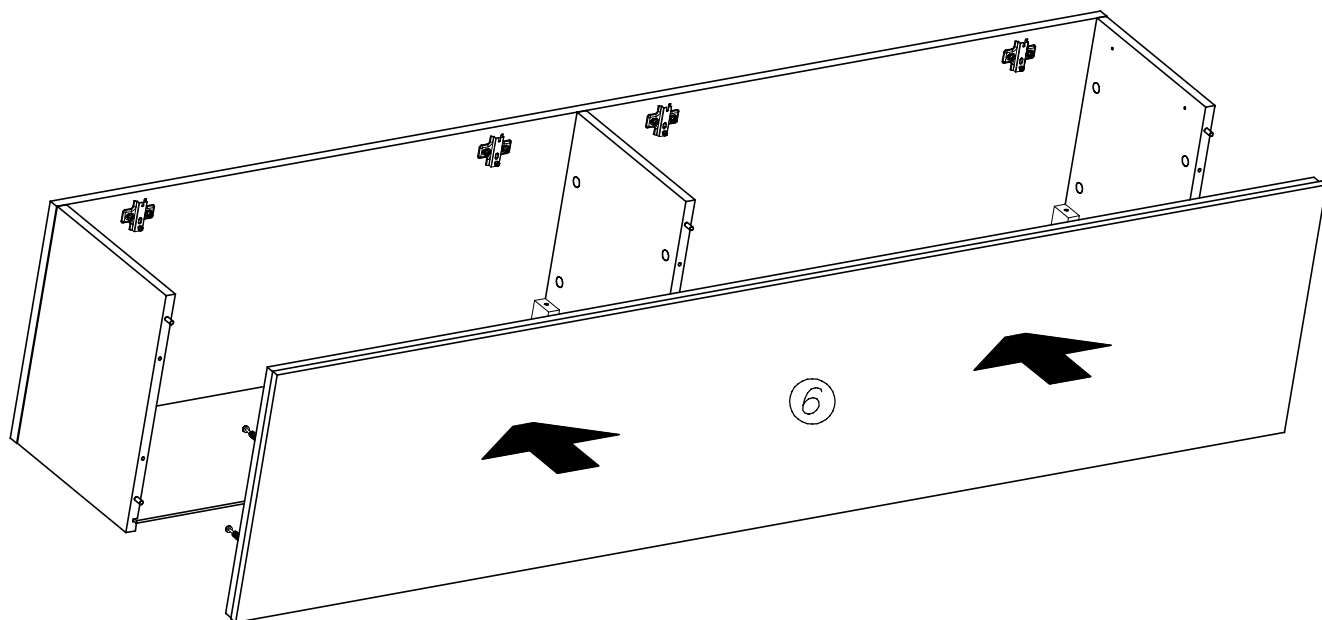
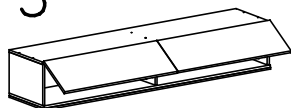


Ver. 2

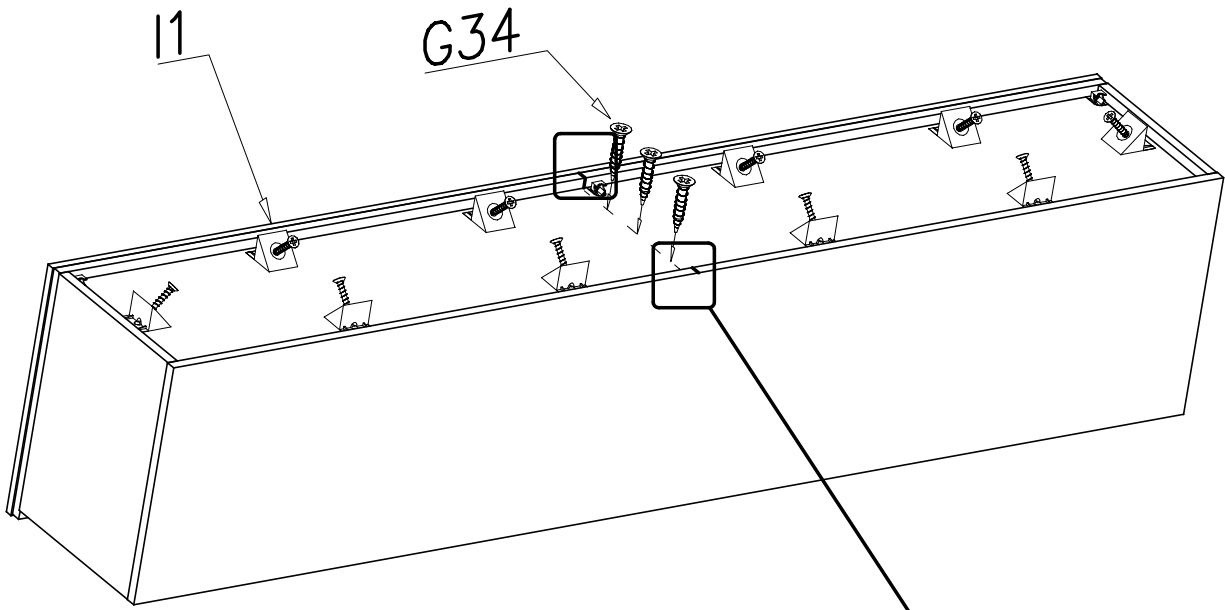


# IX

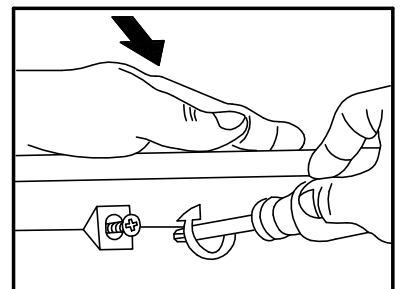
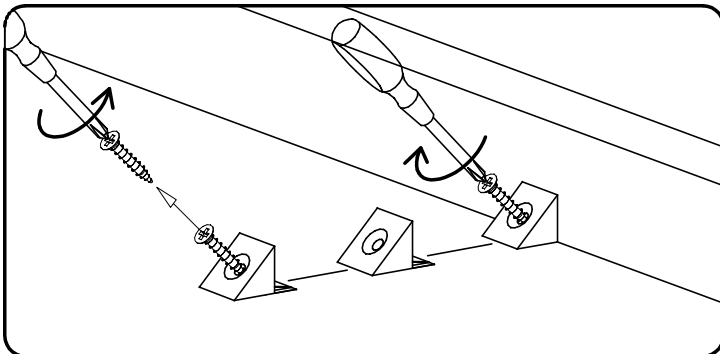
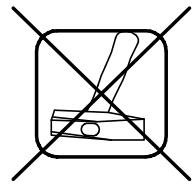
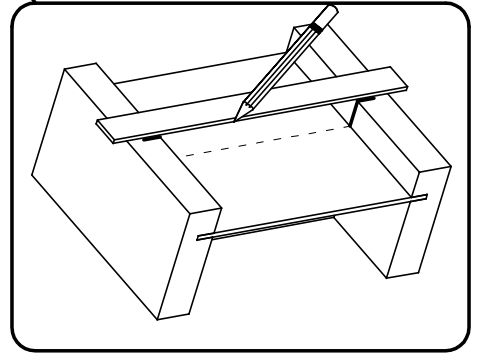
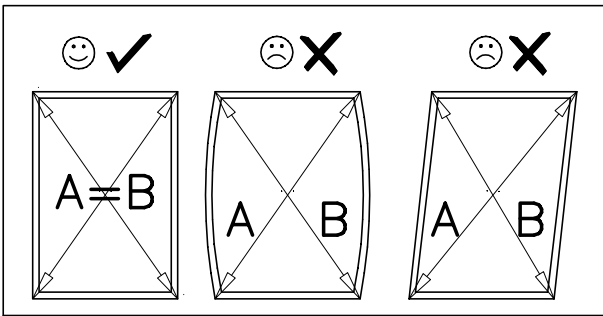
Ver. 3



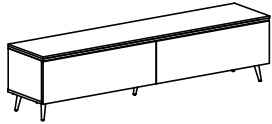
X



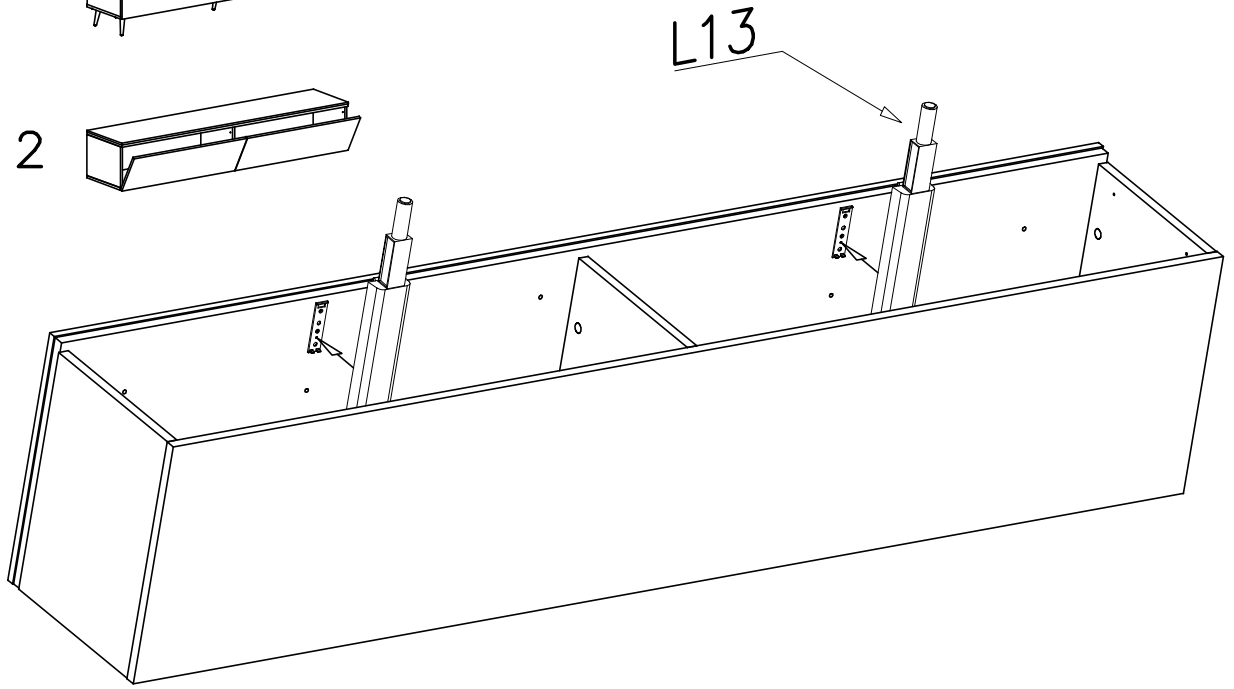
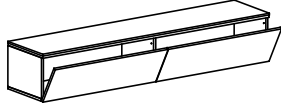
A = B



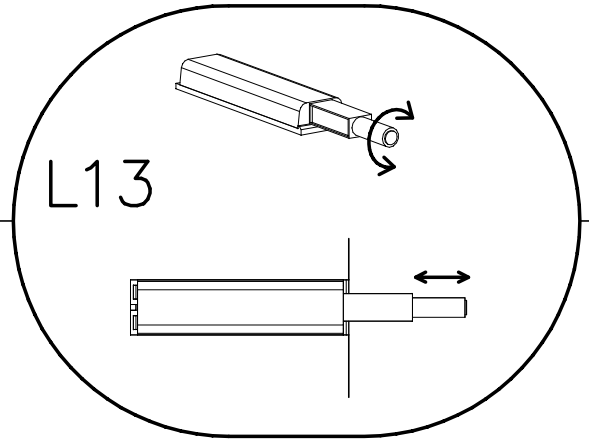
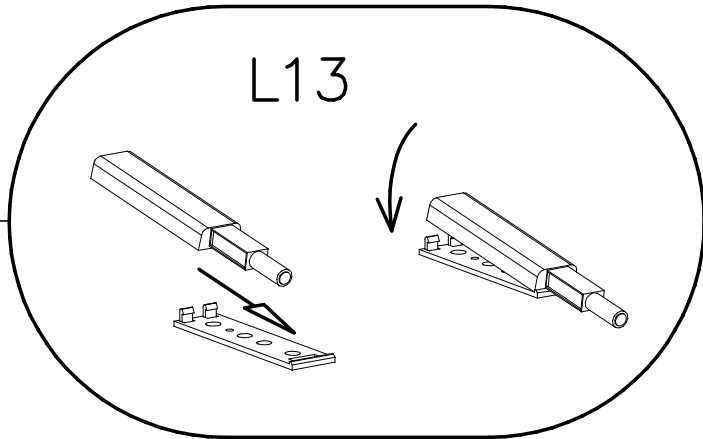
XI Ver. 1



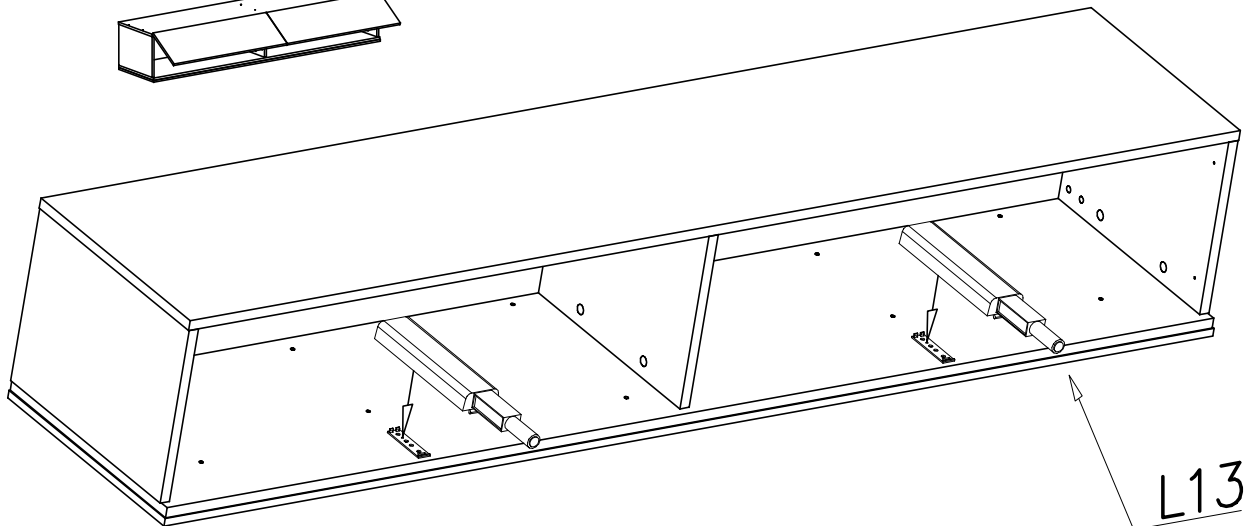
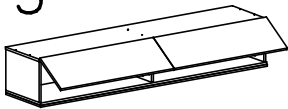
Ver. 2



XII

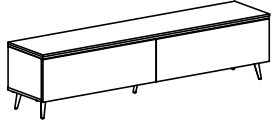


Ver. 3

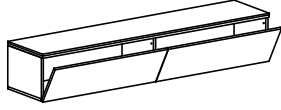


# XIII

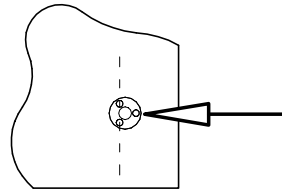
Ver. 1



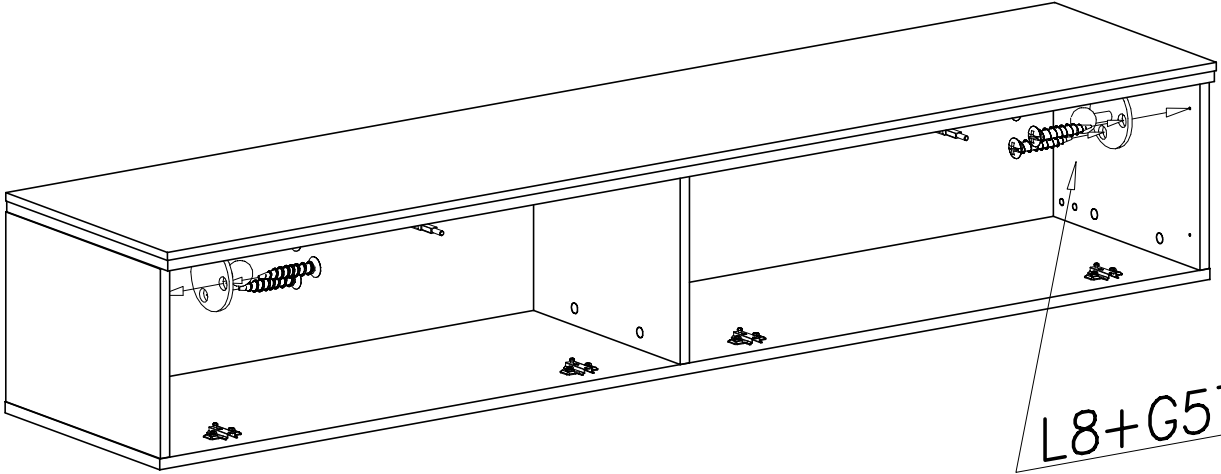
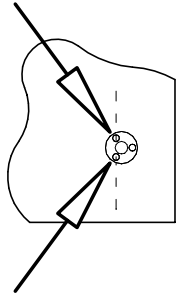
Ver. 2



1.



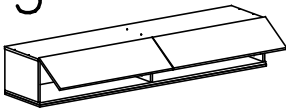
2.



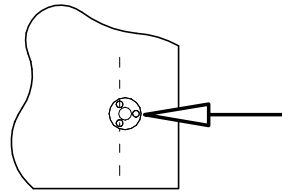
L8+G57

# XIV

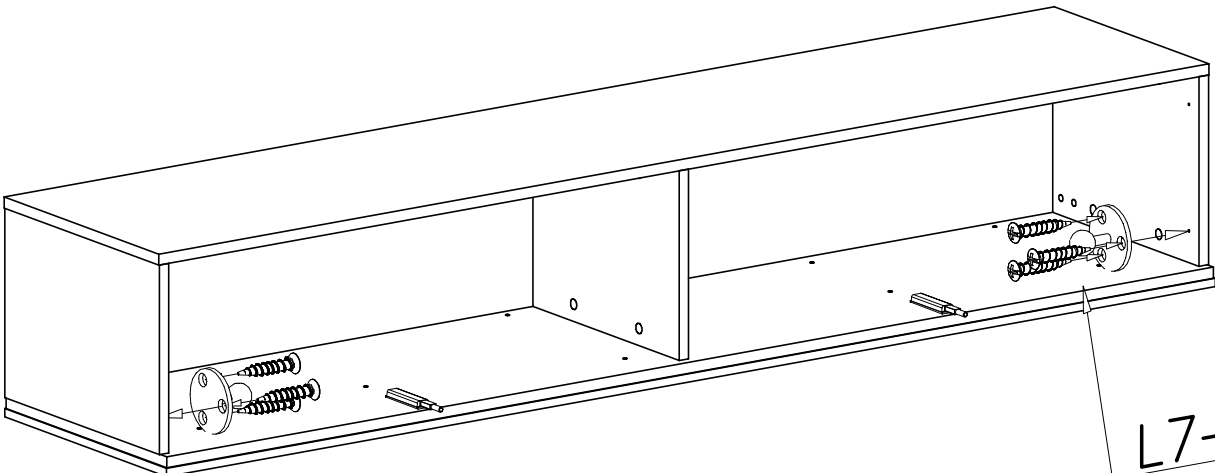
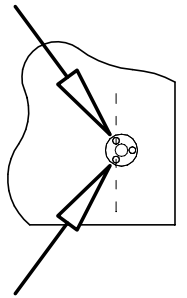
Ver. 3



1.



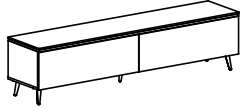
2.



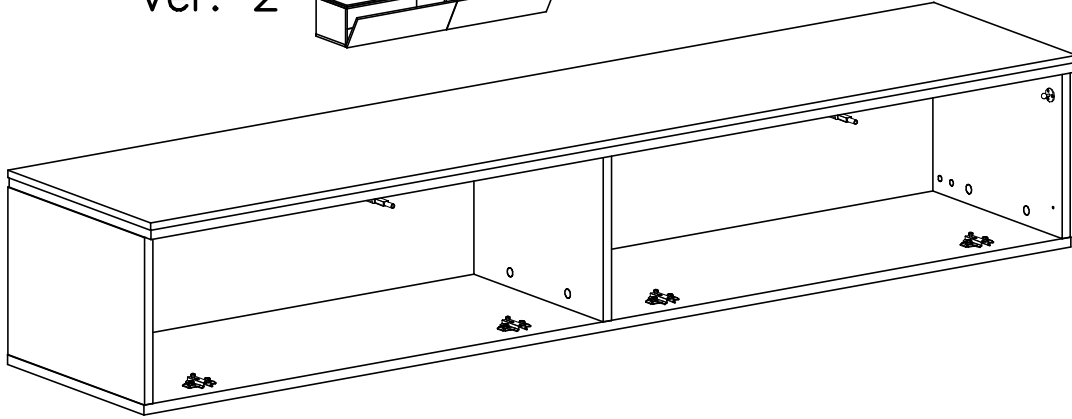
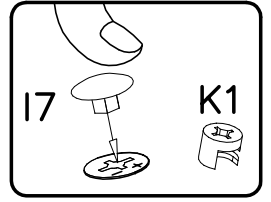
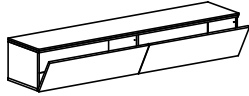
L7+G57

XV

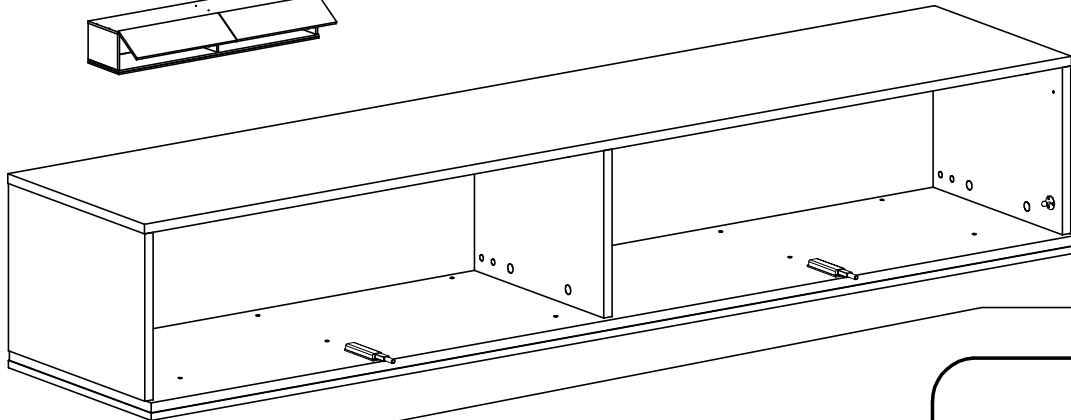
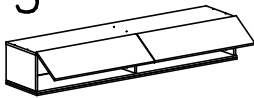
Ver. 1



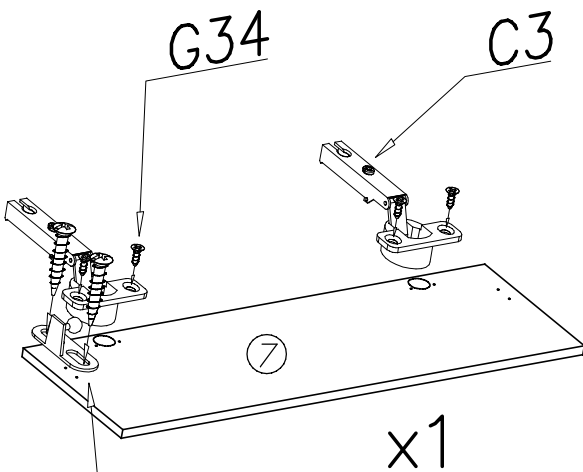
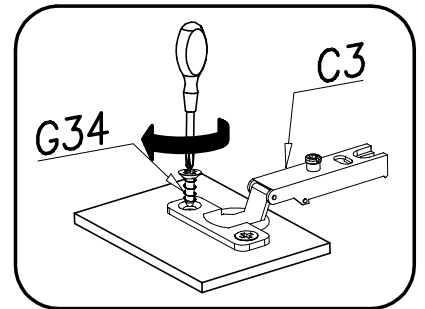
Ver. 2



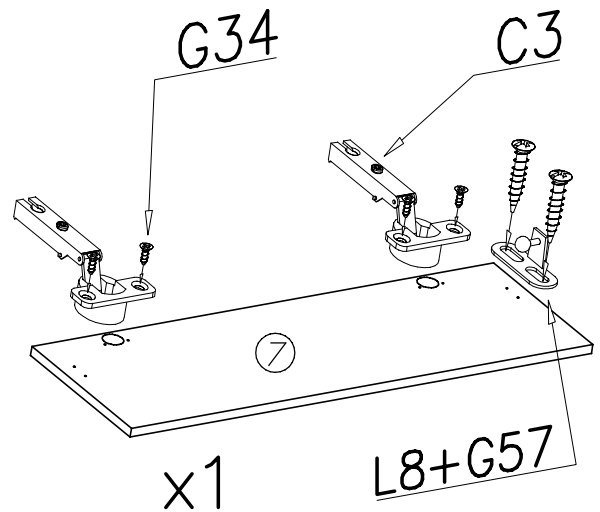
Ver. 3



XVI



L8+G57

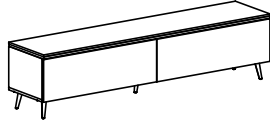


x1

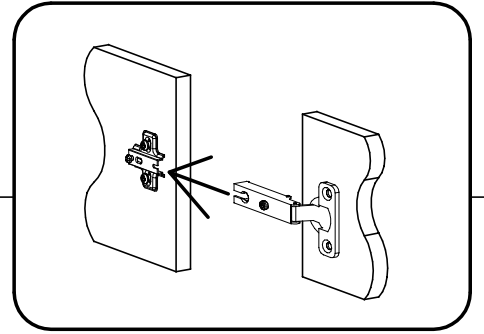
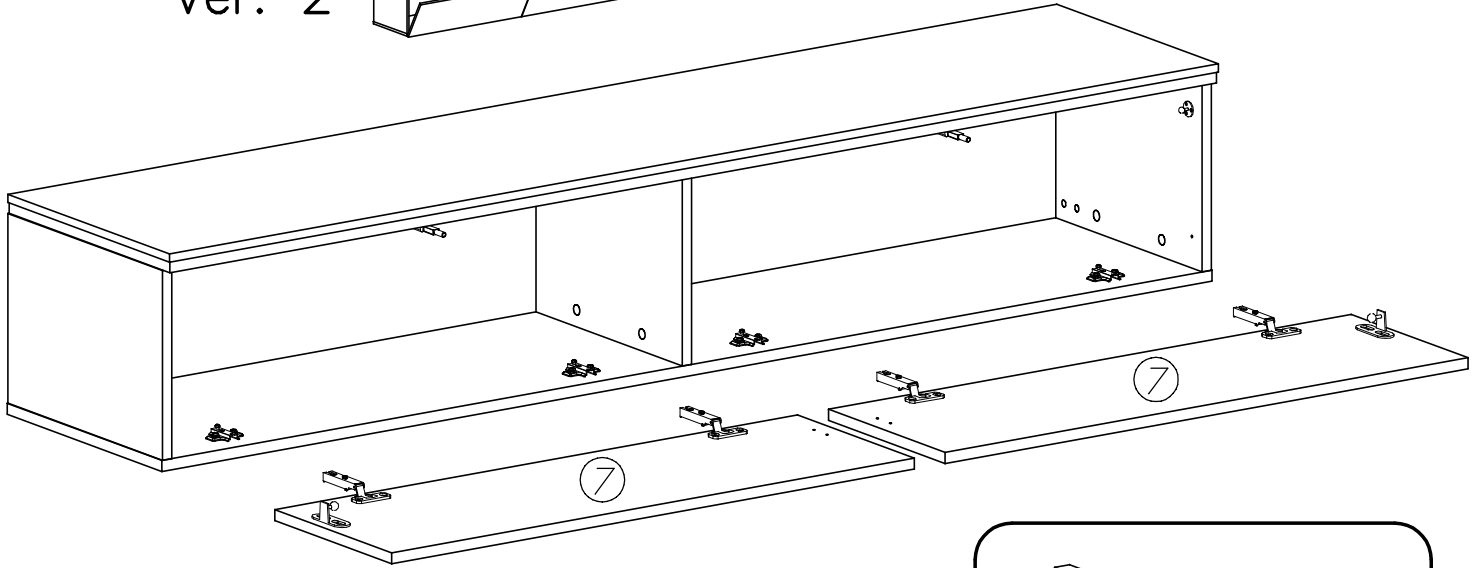
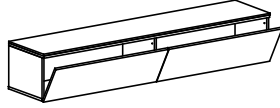
L8+G57

XVII

Ver. 1

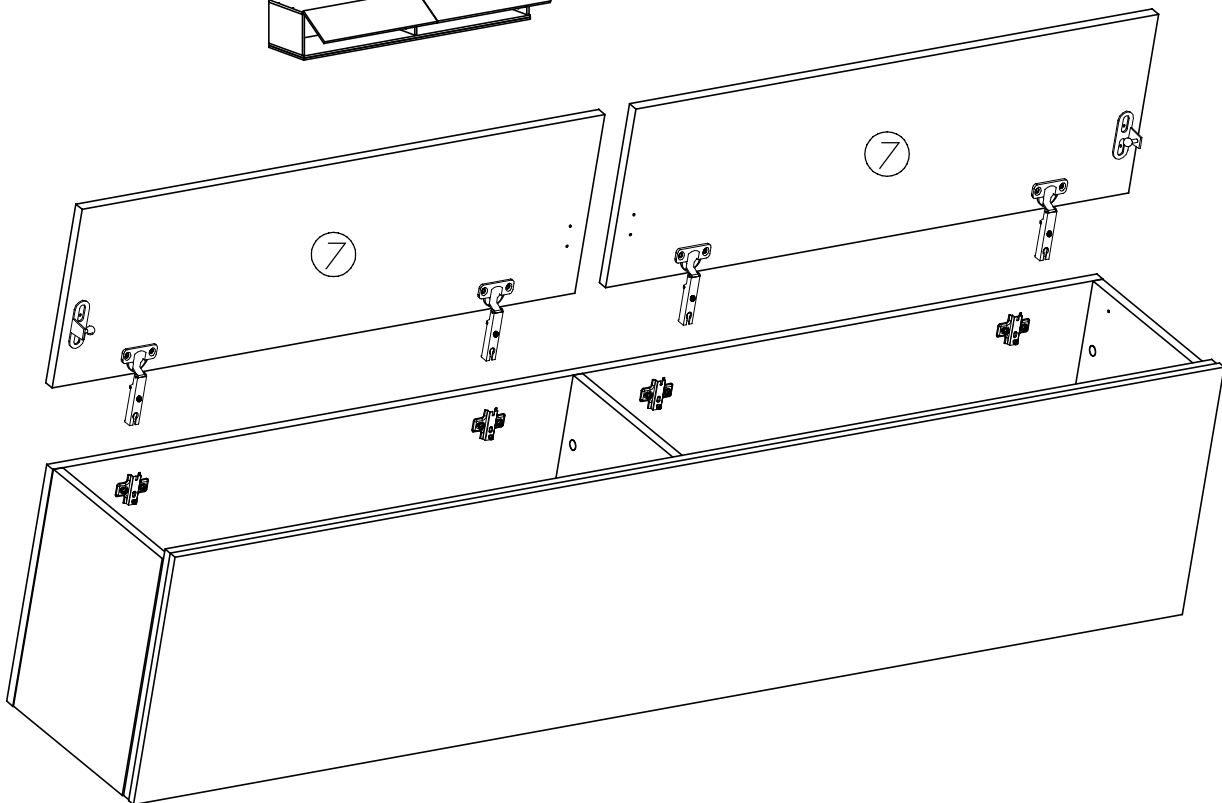
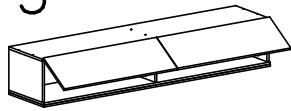


Ver. 2



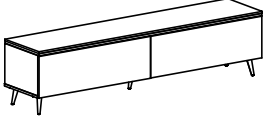
XVIII

Ver. 3

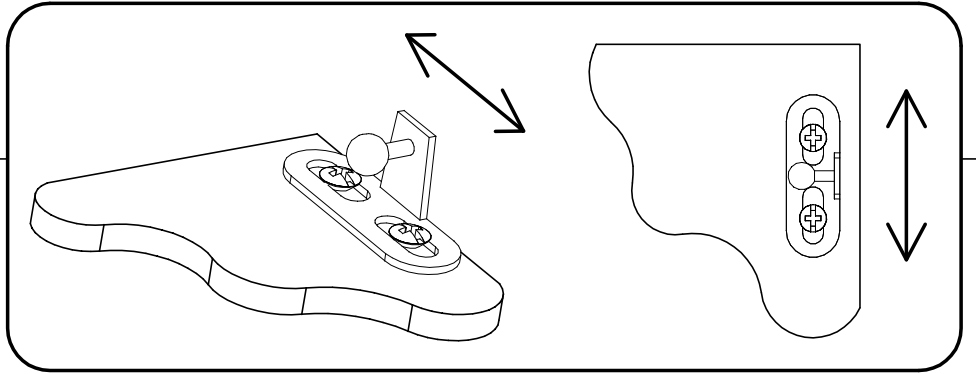
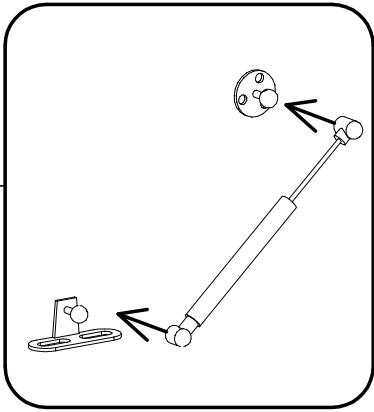
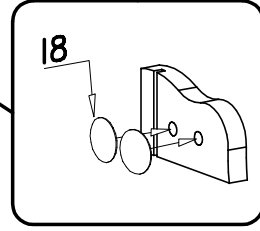
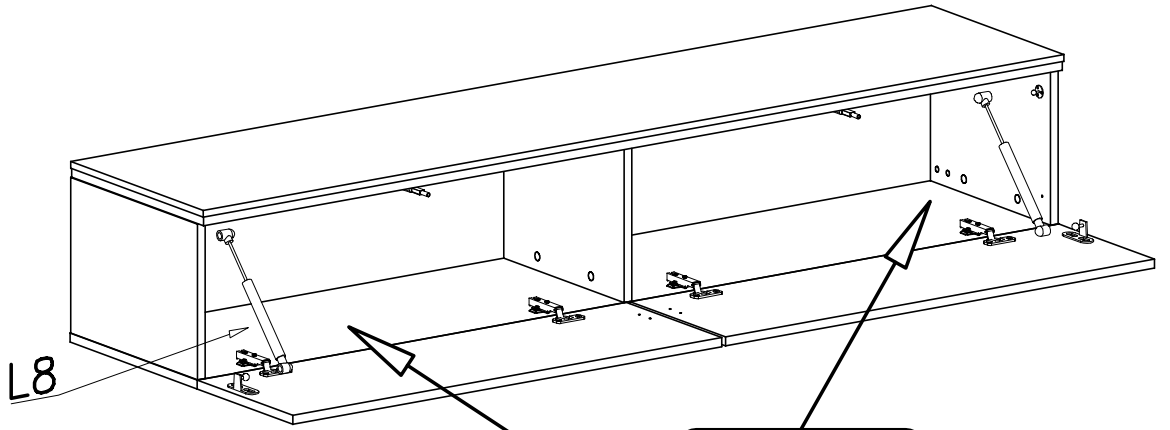
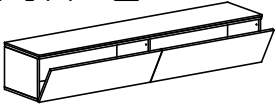


# XIX

Ver. 1

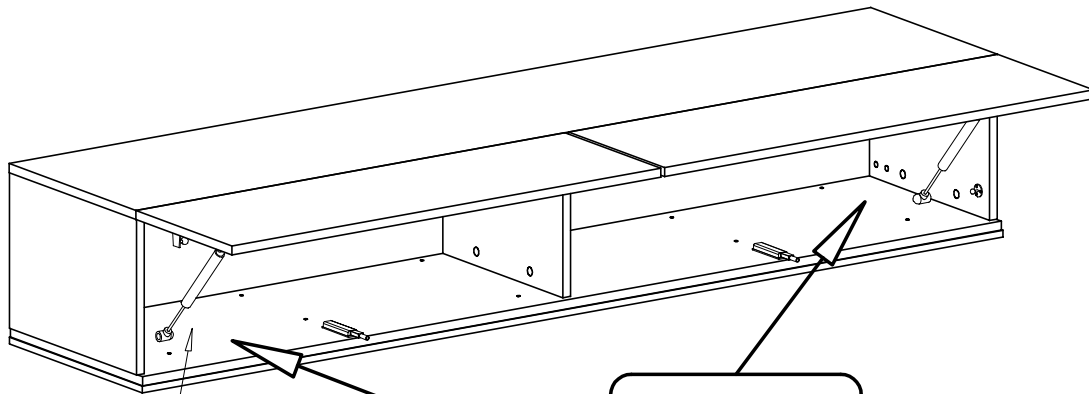
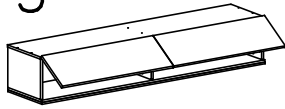


Ver. 2

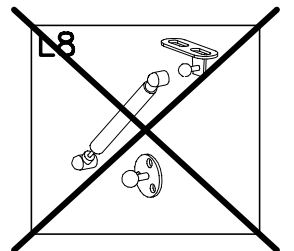
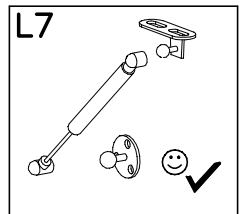
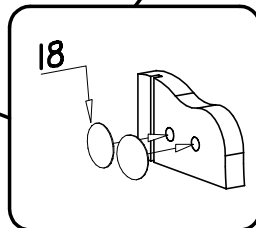


# XX

Ver. 3

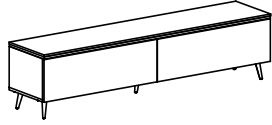


L7

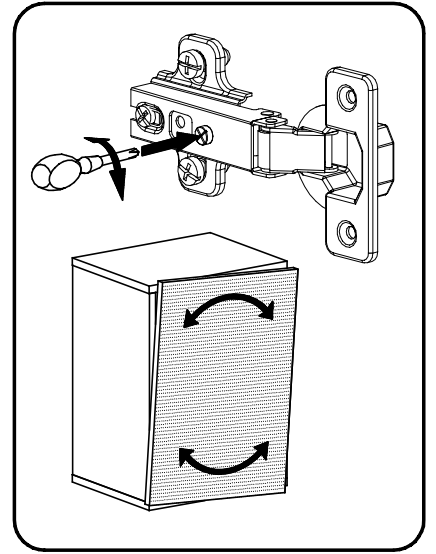
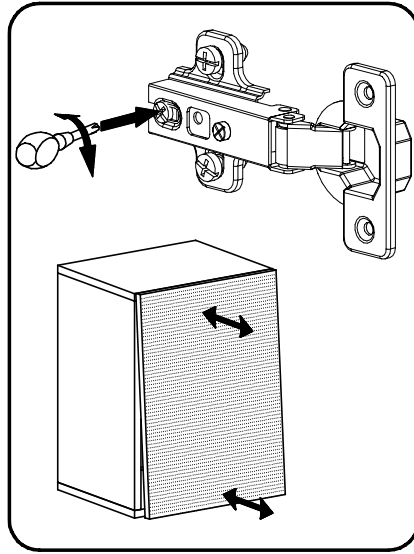
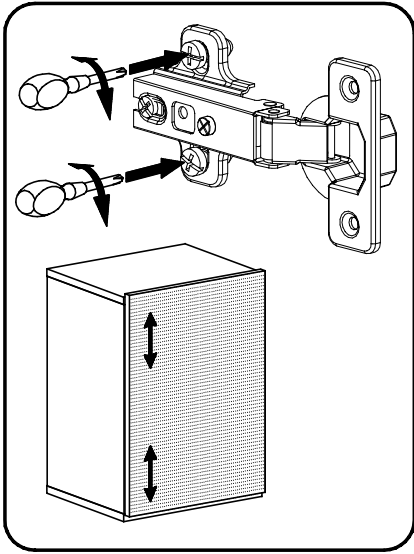
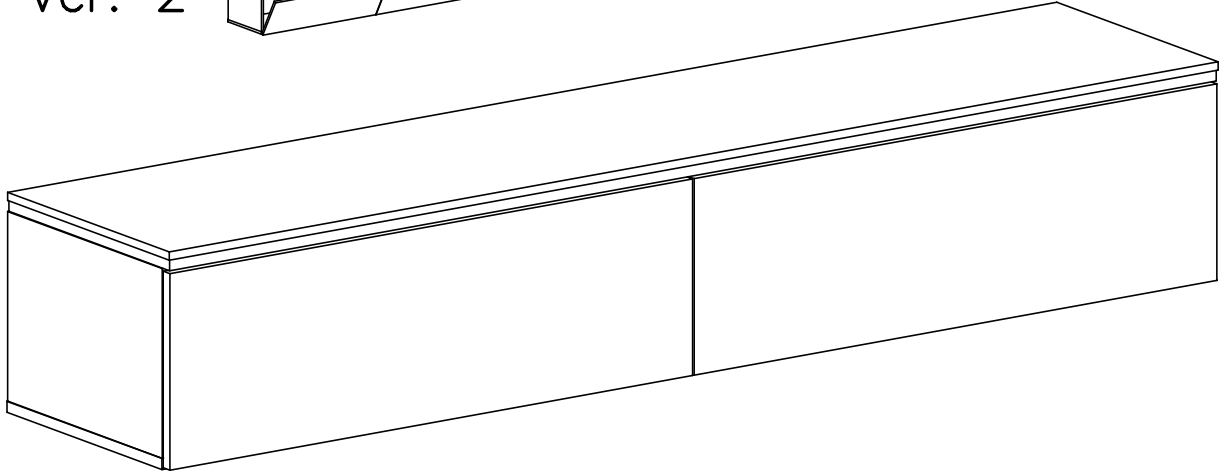
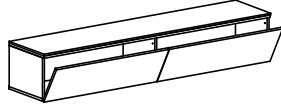


XXI

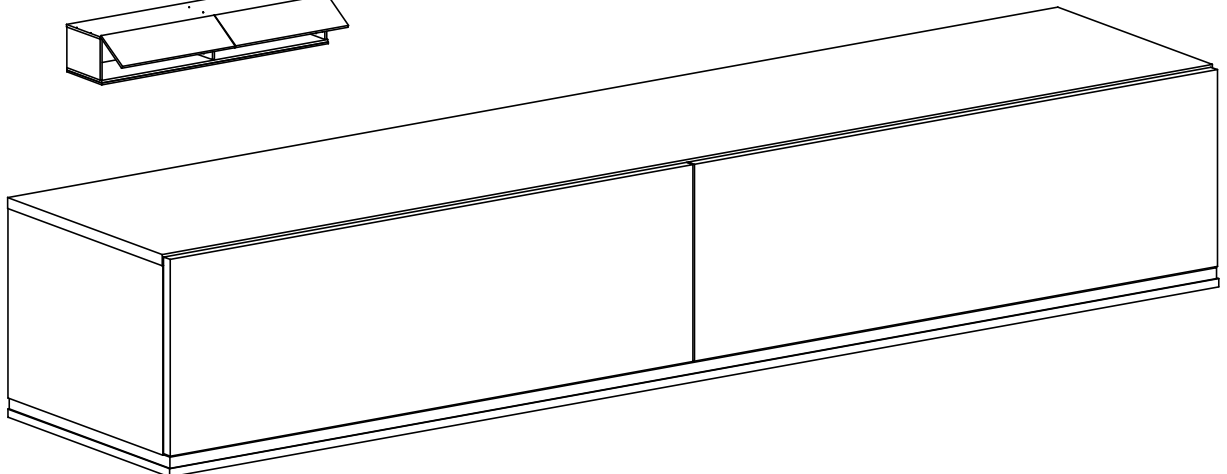
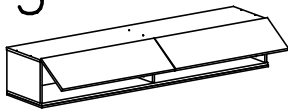
Ver. 1



Ver. 2



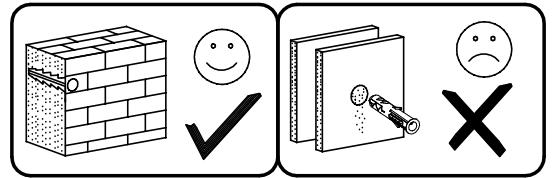
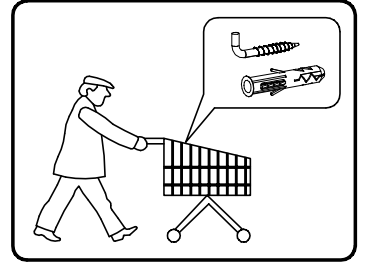
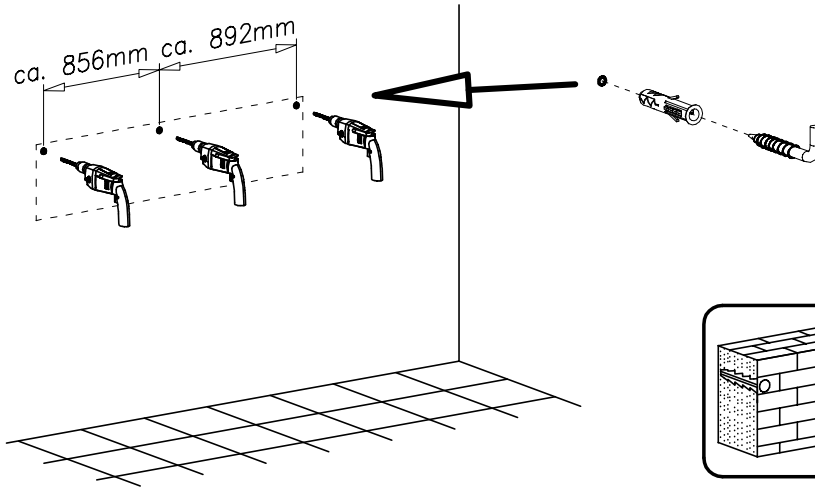
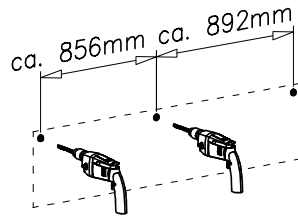
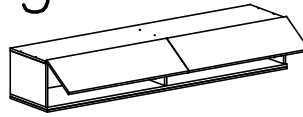
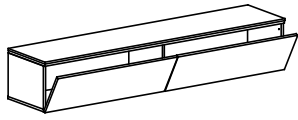
Ver. 3



XXII

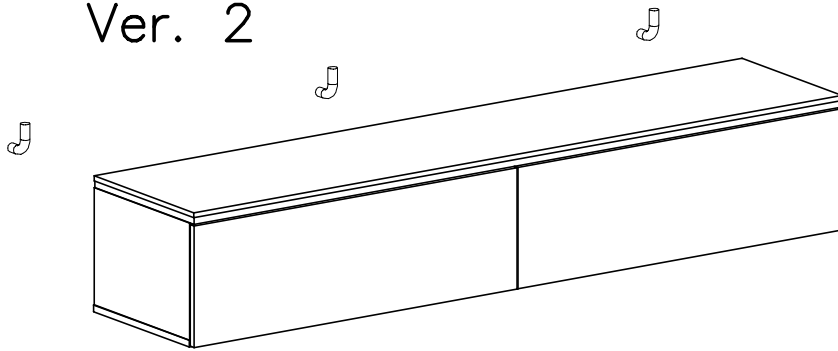
Ver. 2

Ver. 3

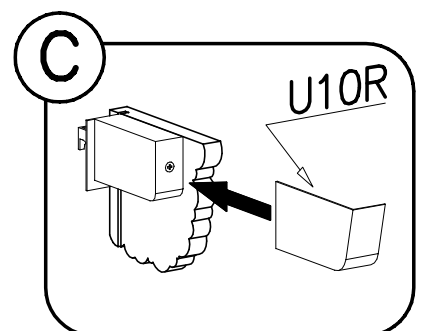
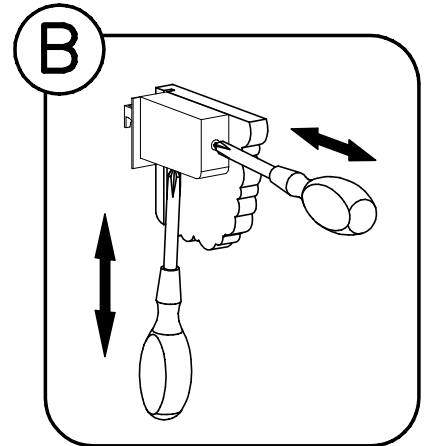
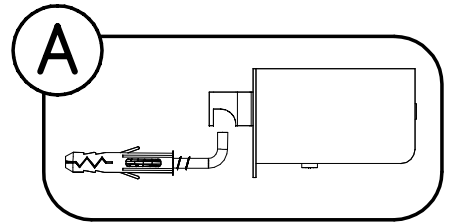
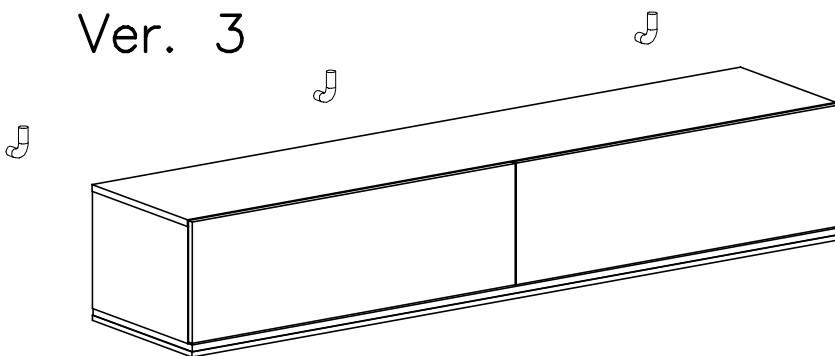


XXIII

Ver. 2



Ver. 3



# XXIV Ver. 1

