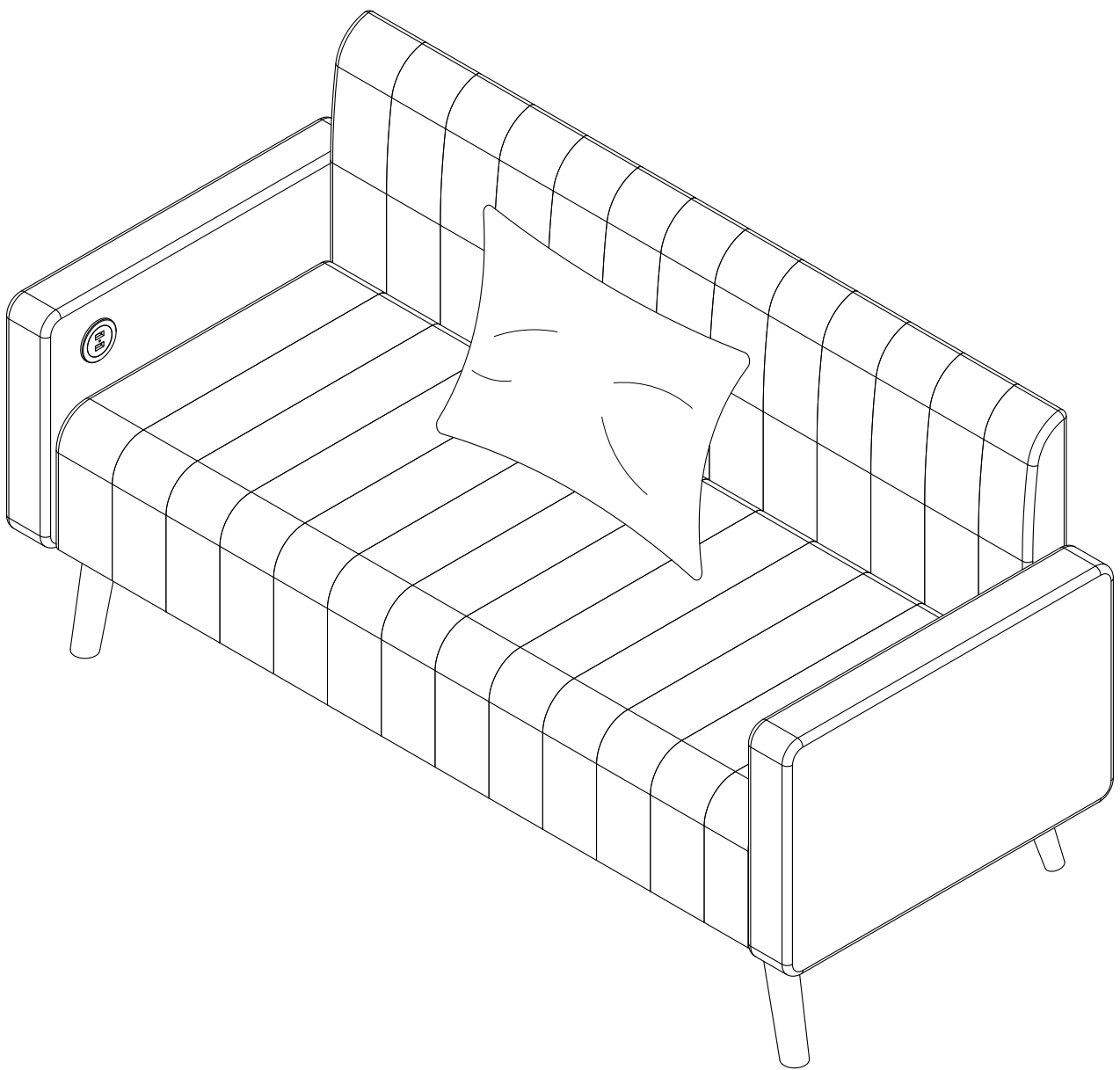
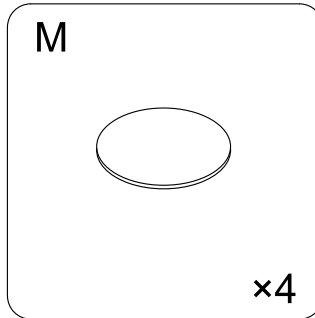
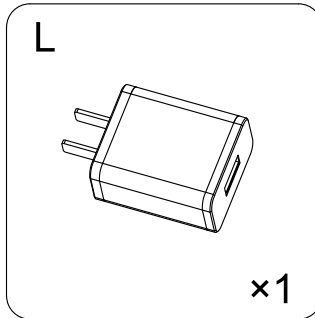
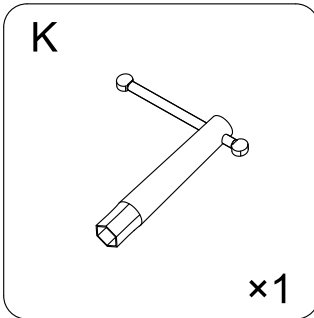
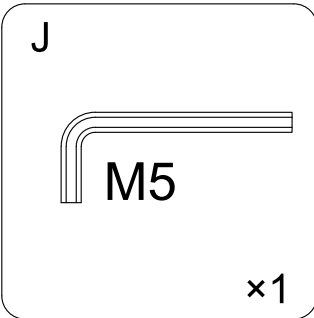
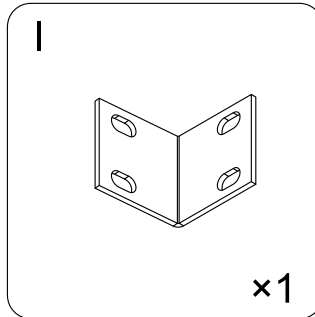
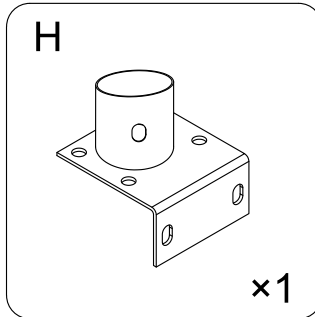
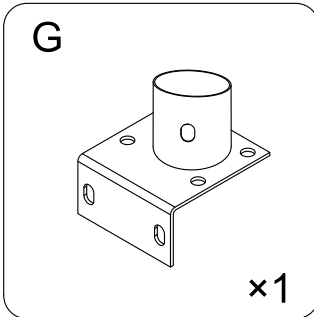
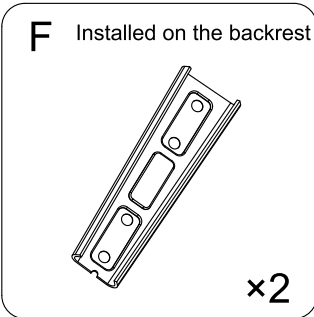
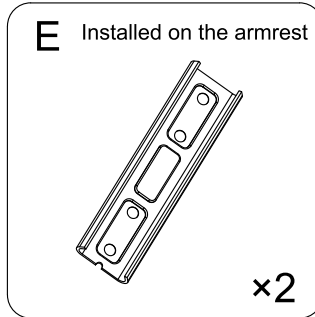
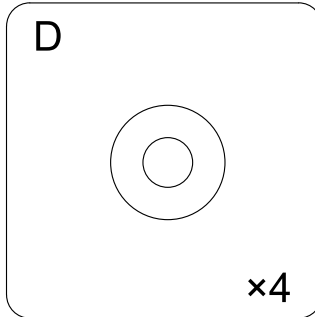
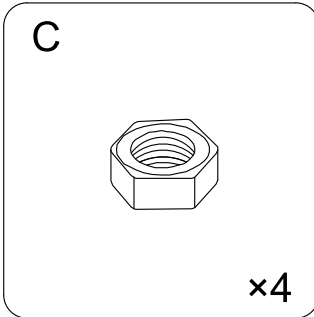
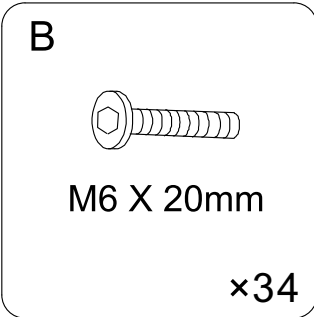
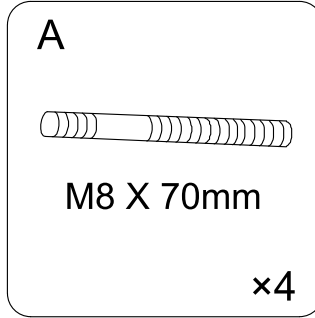
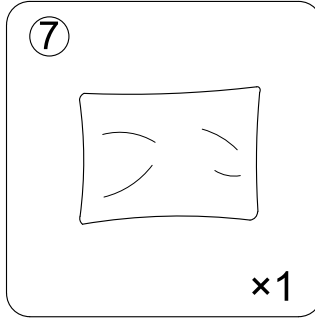
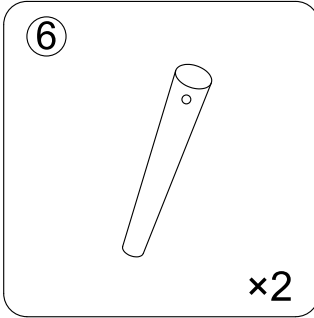
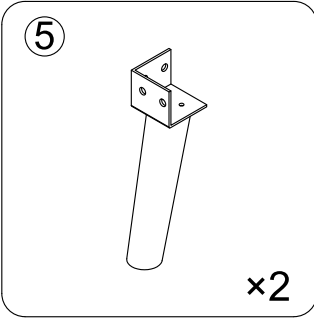
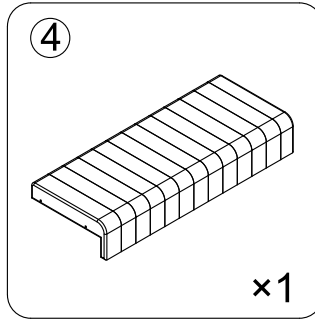
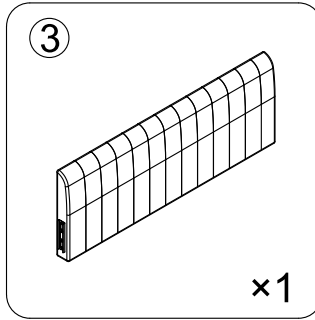
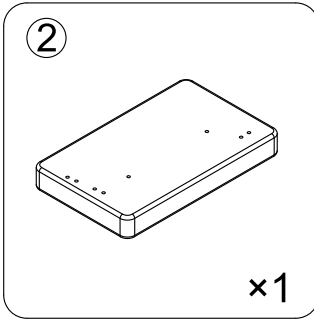
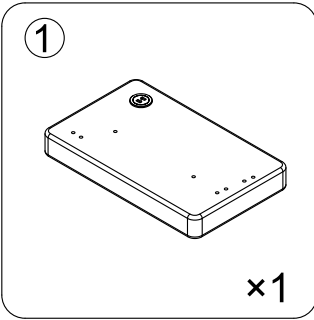
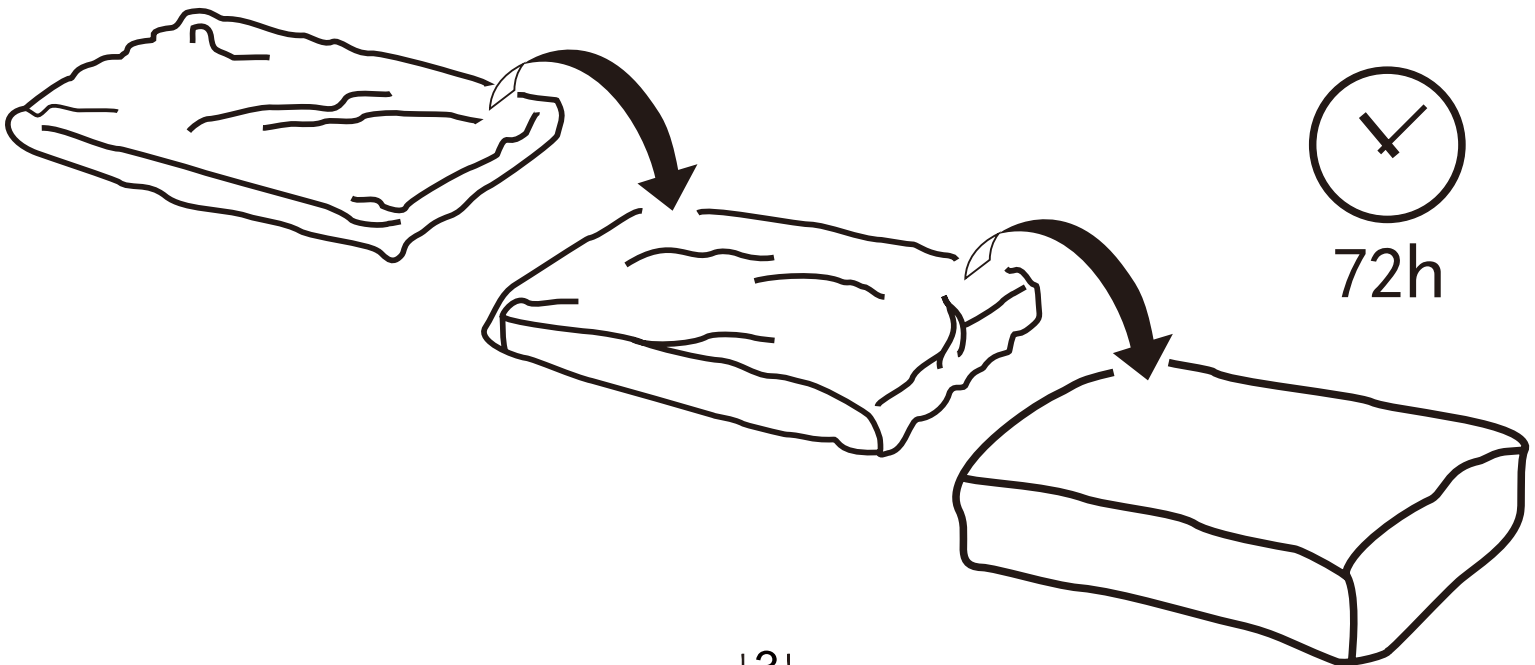
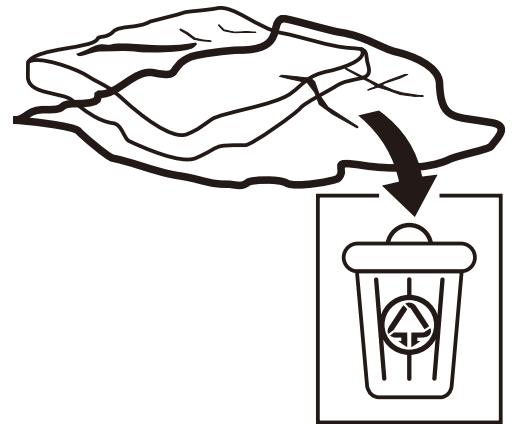
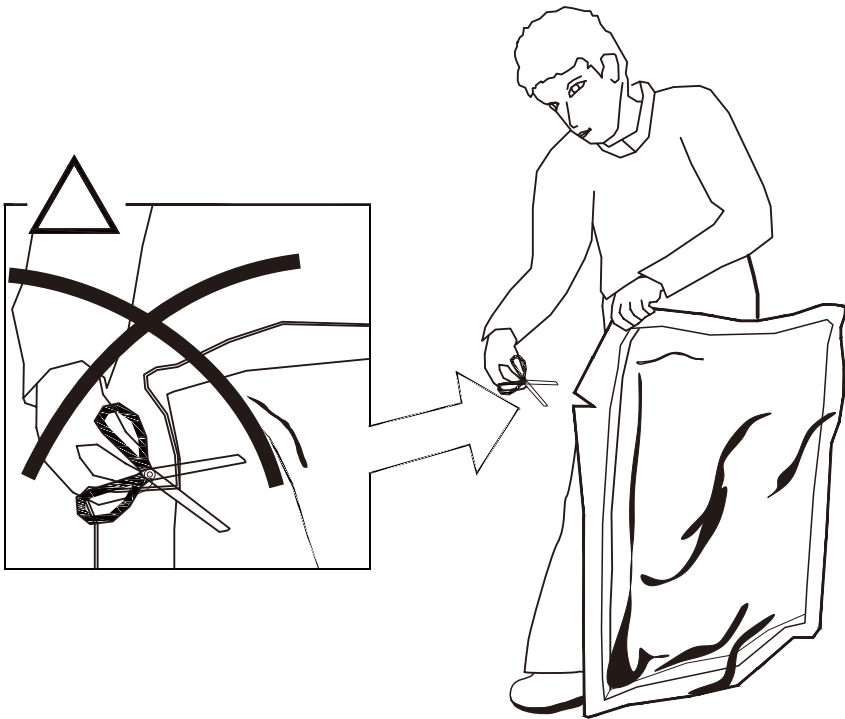
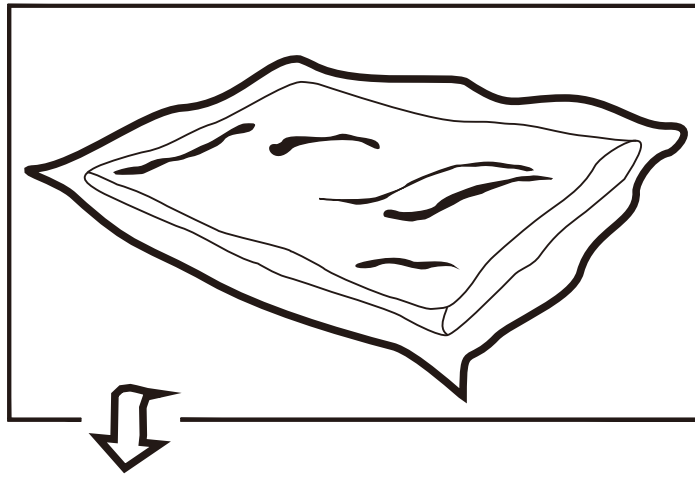
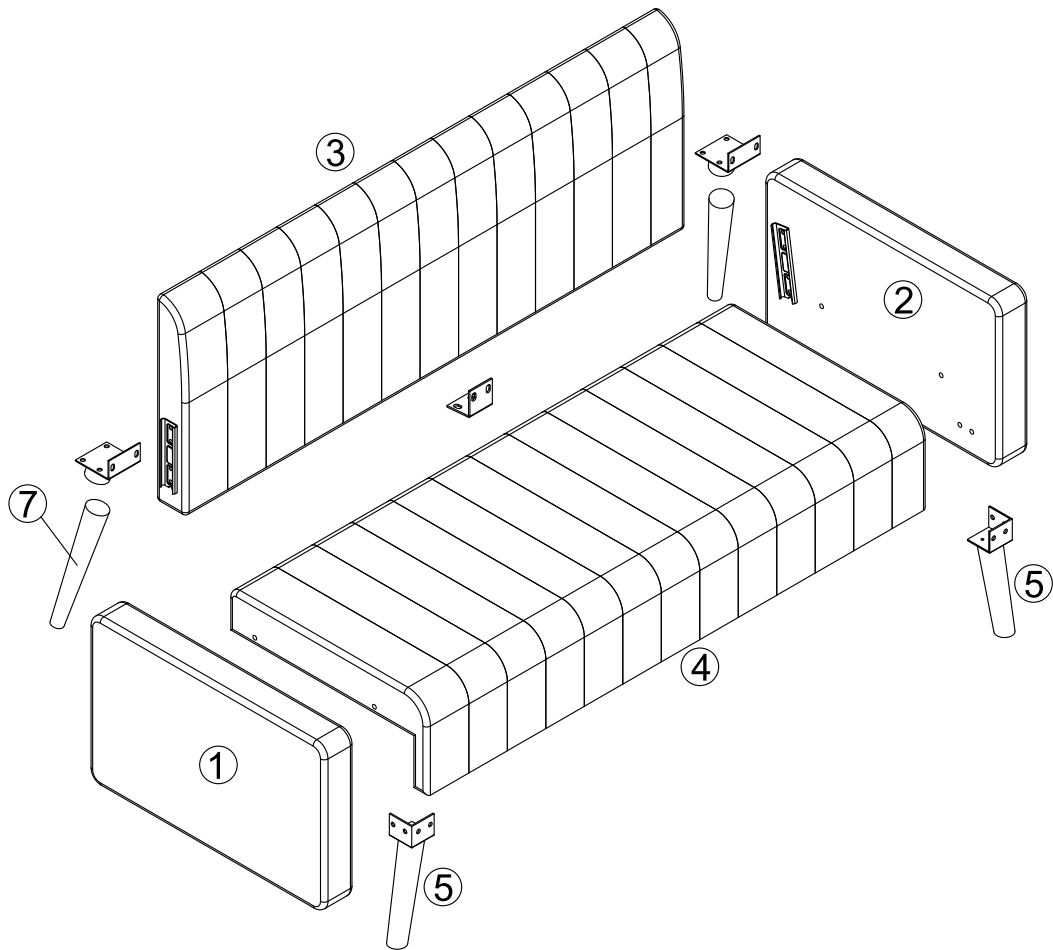


INSTRUCTION MANUAL

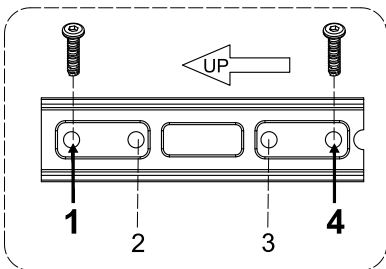




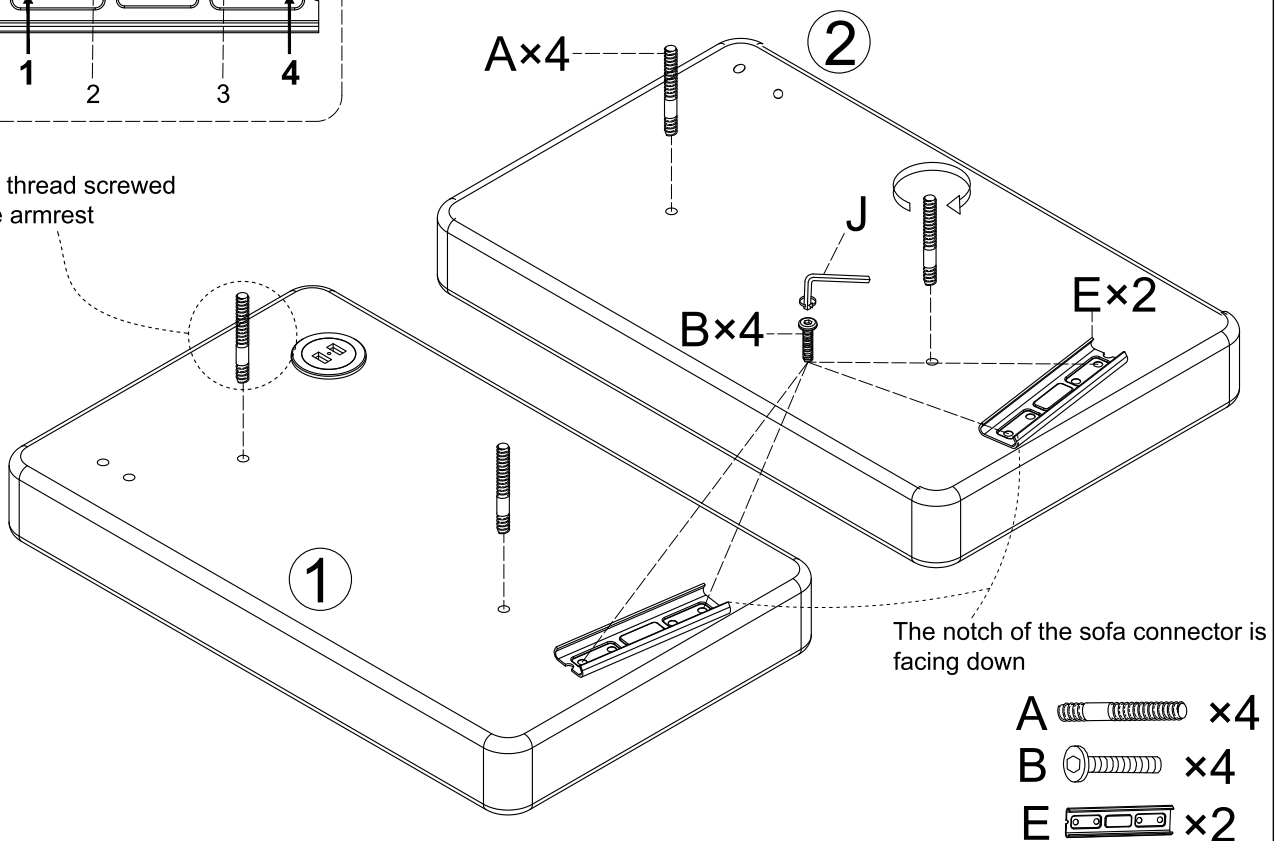



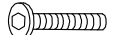



1

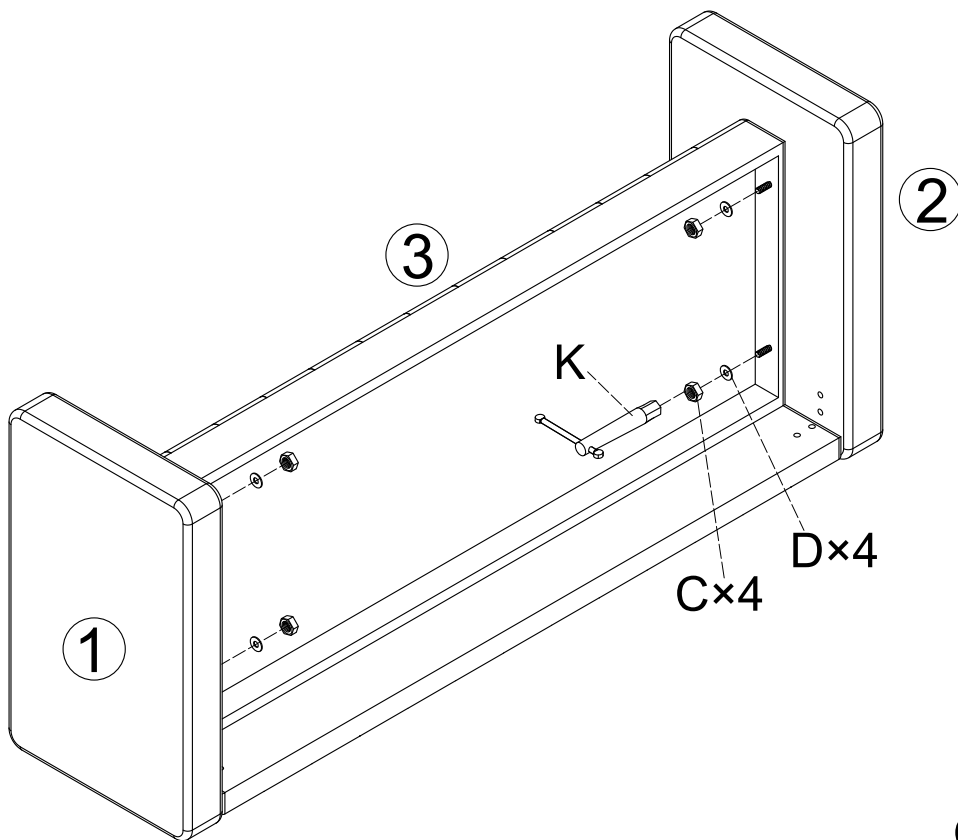




Short thread screwed to the armrest



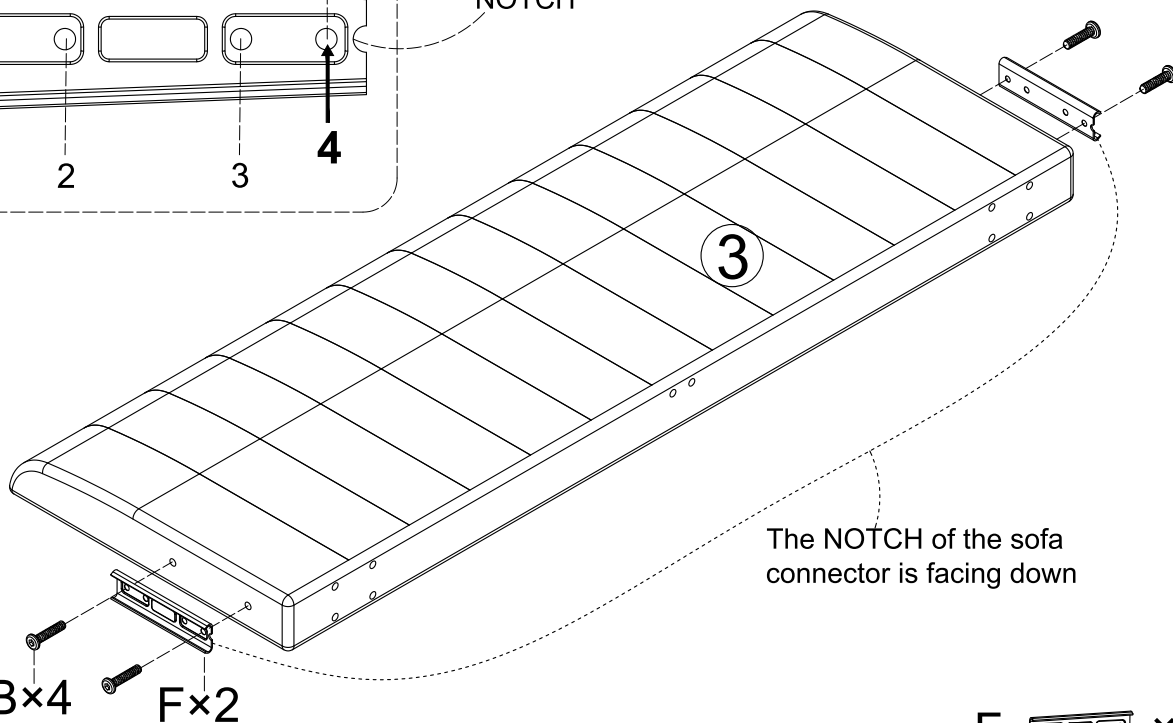
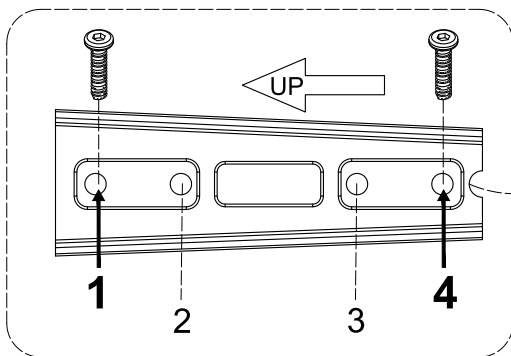
- A  ×4
- B  ×4
- E  ×2

2


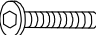


C  x4
 D  x4

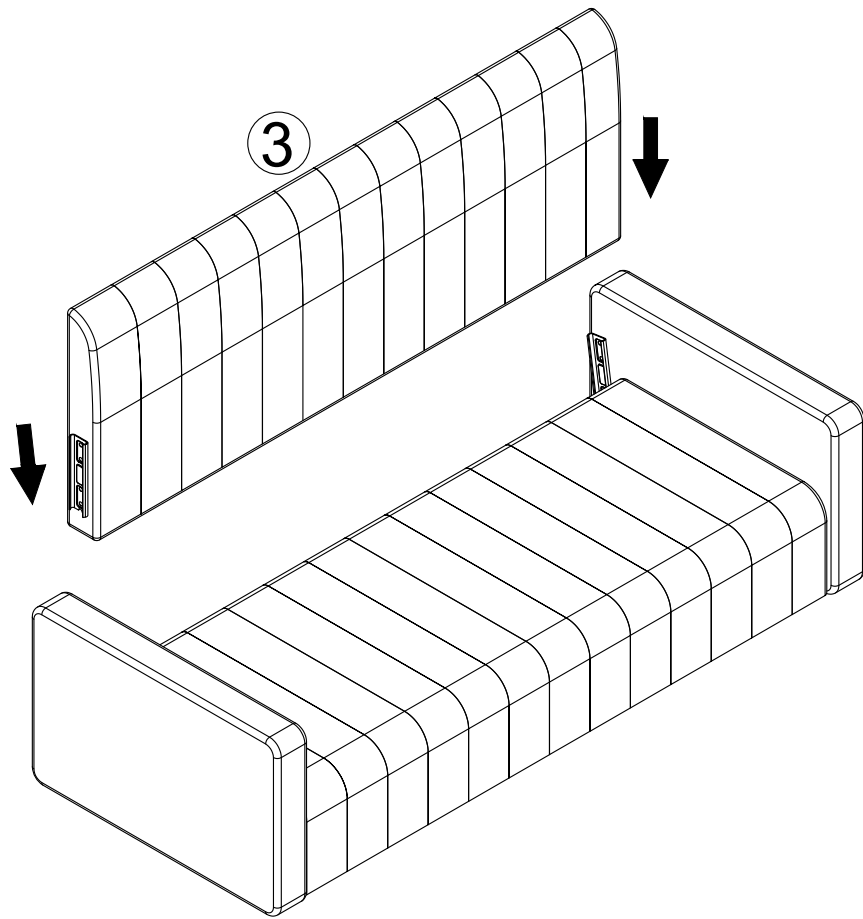
3



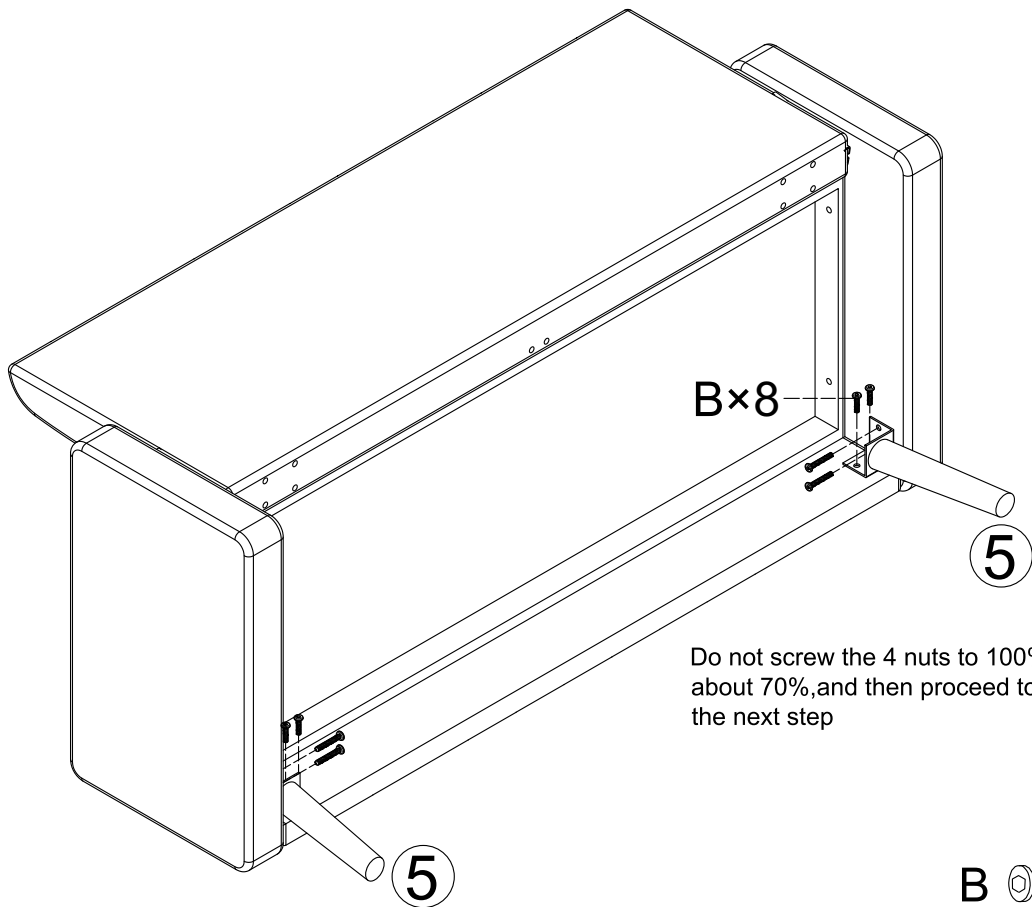
The NOTCH of the sofa connector is facing down

F  x2
 B  x4

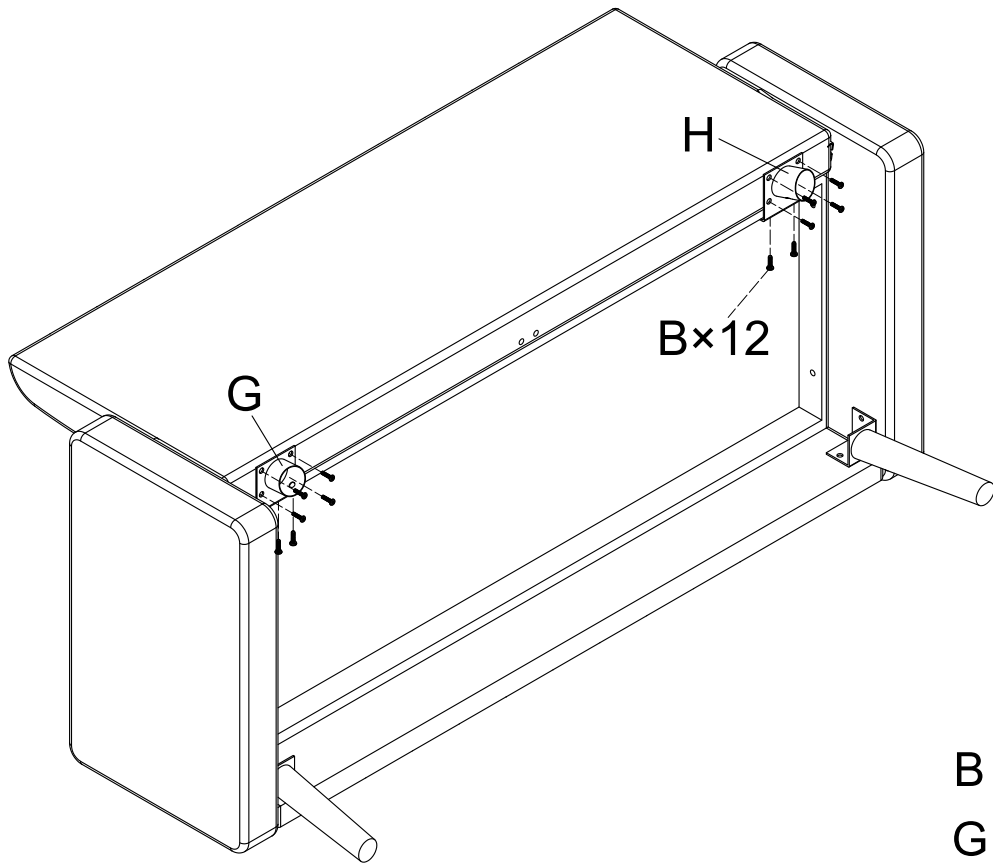
4

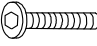
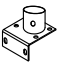
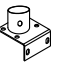


5

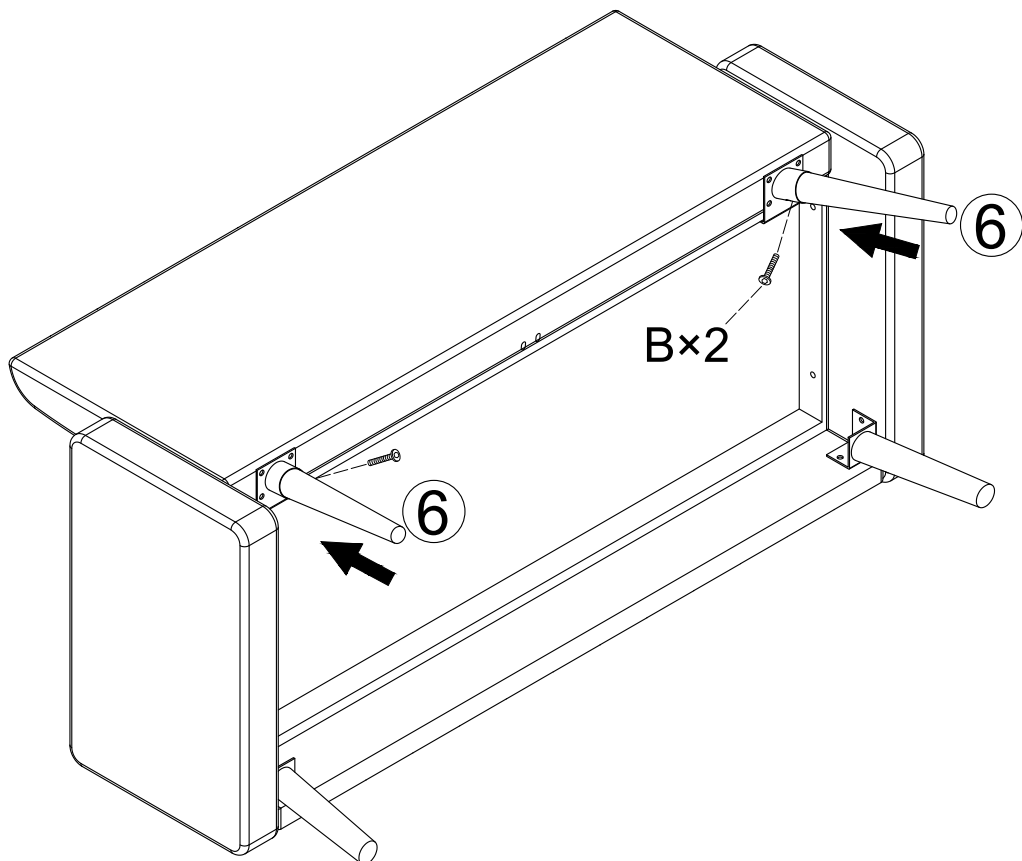



6



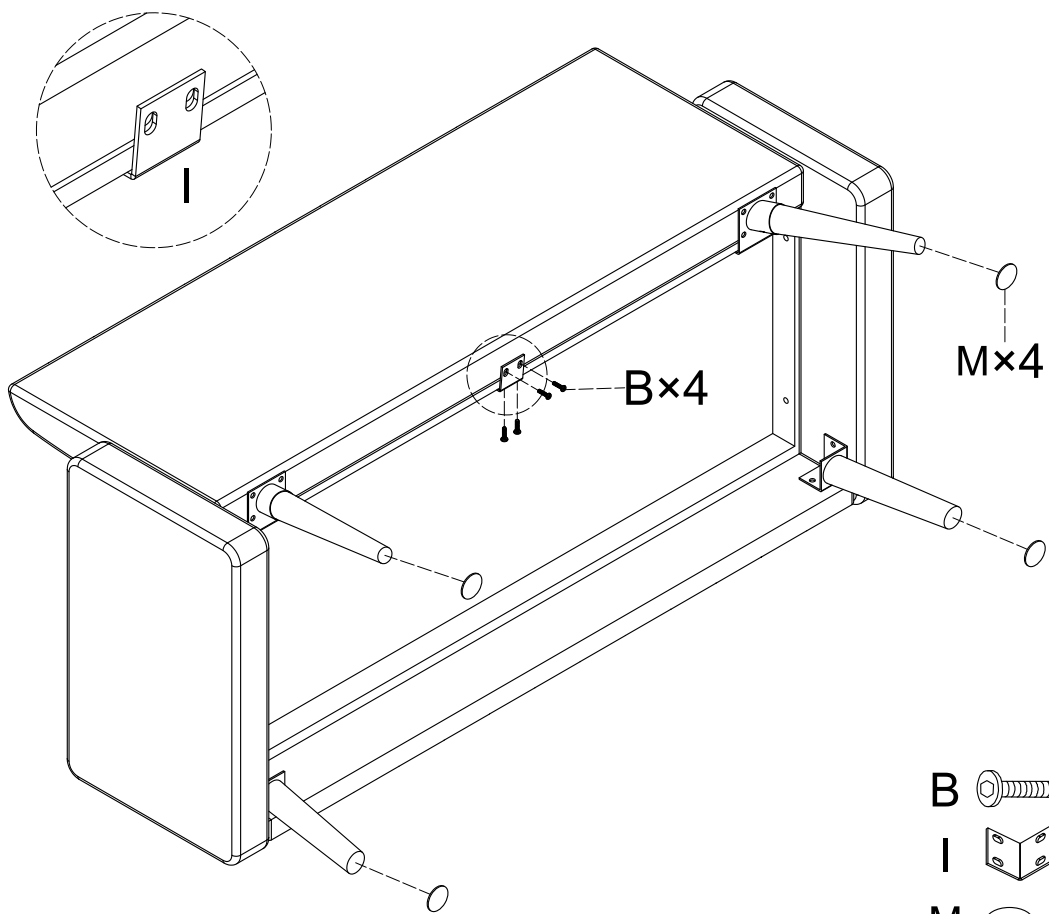
- B  x12
- G  x1
- H  x1

7



- B  x2

8



9

