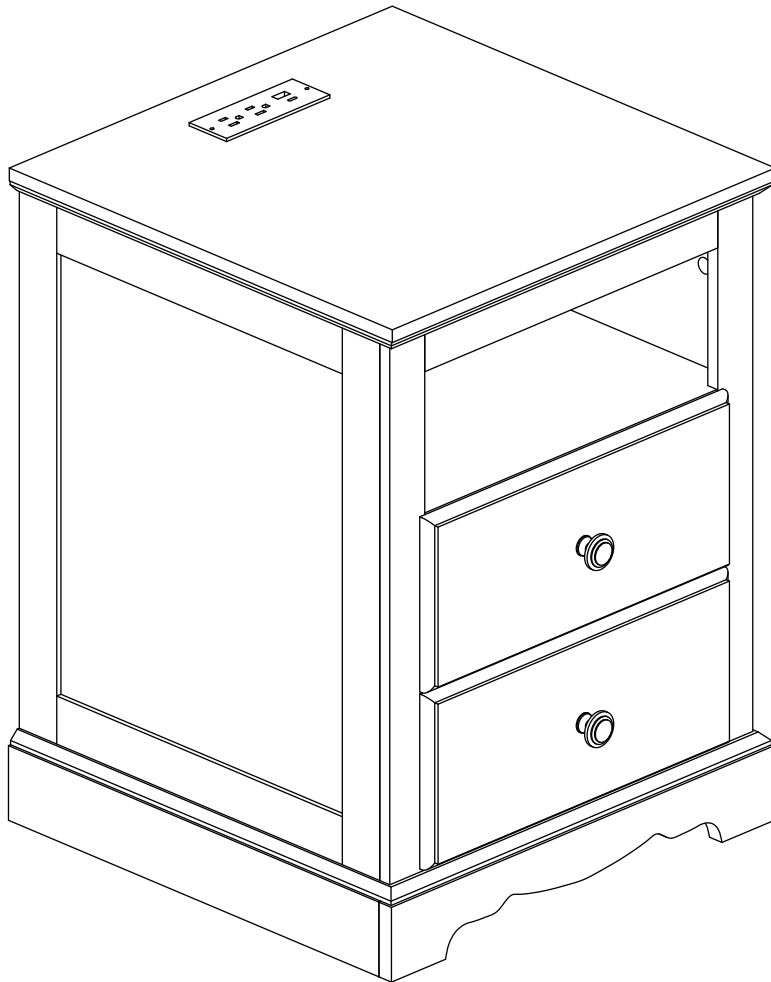


# 2 Drawer Cabinet

Assembly Instructions - Please keep for future reference

CCT101-1A1A0

CCT101-1A1B0



## Dimensions

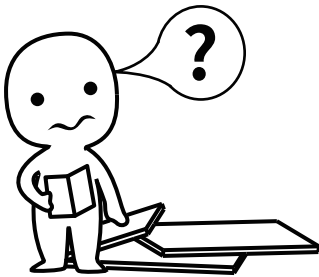
Width - 18.1 inch

Depth - 18.1 inch

Height - 24.2 inch

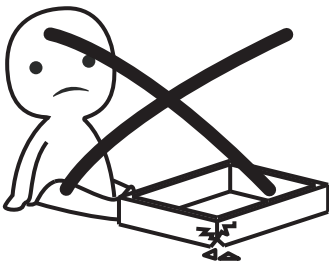
Any question please feel free to contact us:  
[support@amer-life.com](mailto:support@amer-life.com) TEL:(901) 347-2181  
We will provide further assistance within 24 hours.

**Important – Please read these instructions fully before starting assembly**



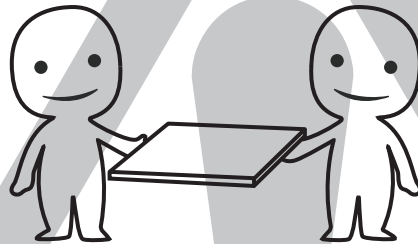
### **IMPORTANT INFORMATION!**

please read the entire manual before starting to assemble and/or using this product. follow the manual thoroughly and keep it for further reference.



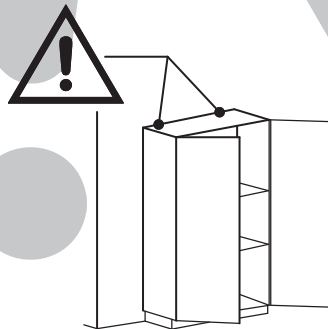
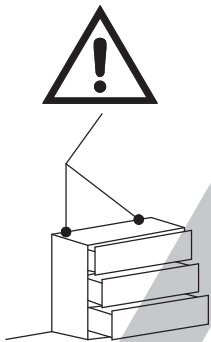
### **AVOID SCRATCHES!**

In order to avoid scratching this furniture should be assembled on a soft layer- could be a rug.



### **IMPROVE EFFICIENCY !**

Try to find a partner to install with you, which can speed up the installation efficiency and shorten the time.



### **ANTI-TOPPLE WARNING !**

Overtipped furniture can cause serious or fatal crush injuries. To prevent tipping over, be sure to use the wall attachment, if not included with this product. Please purchase the wall attachment that fit your wall. If unsure, seek professional advice. Please read and follow each step of the instructions carefully.



# Safety and Care Advice

## Important – Please read these instructions fully before starting assembly

- Check you have all the components and tools listed on the following pages.
- Remove all fittings from the plastic bags and separate them into their groups.
- Keep children and animals away from the work area, small parts could choke if swallowed.
- Make sure you have enough space to layout the parts before starting.

- During assembly do not stand or put weight on the product, this could cause damage.
- Assemble the item as close to its final position (in the same room) as possible.
- Assemble on a soft level surface to avoid damaging the unit or your floor.
- Parts of the assembly will be easier with 2 people.



- To reduce the likelihood of damaging your product please ensure that your power drill is set on a low torque setting.

## Care and maintenance

- Only clean using a damp cloth and mild detergent, do not use bleach or abrasive cleaners.
- From time to time check that there are no loose screws on this unit.
- This product should not be discarded with household waste. Take to your local authority waste disposal centre.

## Handy Hints

- Assemble all parts and bolts loosely during assembly, only once the product is complete should you fully tighten the bolts
- Regularly check and ensure that all bolts and fittings are tightened properly.

## **WARNING** In order to help prevent overturning – please follow these instructions

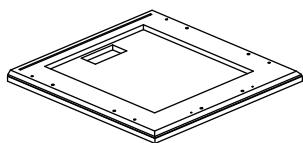
To help prevent product toppling over please follow the below steps:-

Use the anti tip strap or wall fixing method provided (if applicable)  
Do not allow children to climb or hang on the furniture  
Do not open more than one drawer at a time  
Do not place heavy items in the top drawers  
Do not place heavy items on top of the furniture, unless the furniture has been designed for this purpose

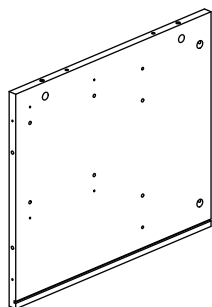
Please note that only the anti tip strap is provided.  
You will need to provide wall plugs and screws applicable for your wall type

# Componets - Panels

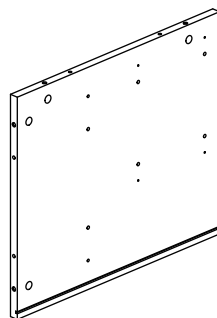
Please check you have all the panels listed below



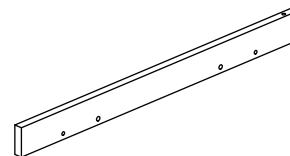
1 (460\*460\*24mm x1)



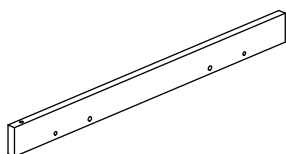
2 (505\*433\*17mm x1)



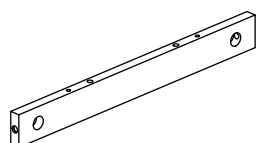
3 (505\*433\*17mm x1)



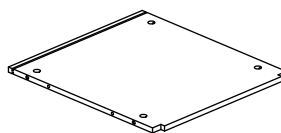
4 (505\*42\*12mm x1)



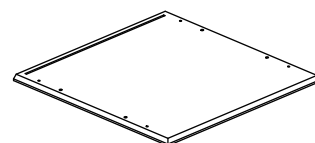
5 (505\*42\*12mm x1)



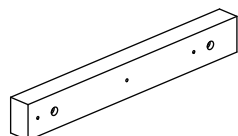
6 (351\*38\*12mm x1)



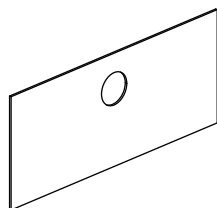
7 (402\*444\*12mm x1)



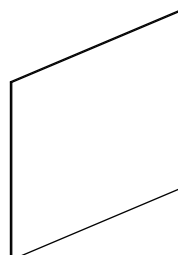
8 (457\*457\*12m x1)



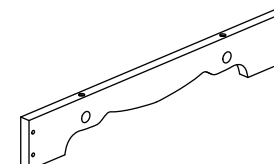
9 (300\*40\*25mm x4)



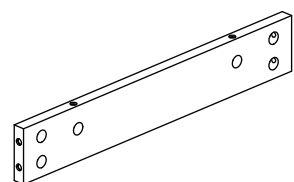
10 (408\*178\*3mm x1)



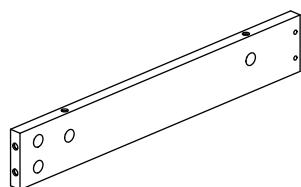
11 (408\*330\*3mm x1)



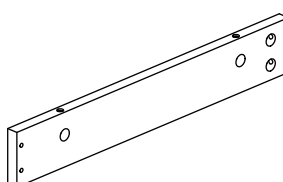
12 (462\*70\*15mm x1)



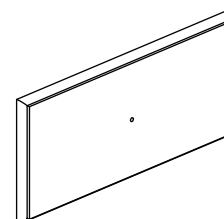
13 (432\*70\*15mm x1)



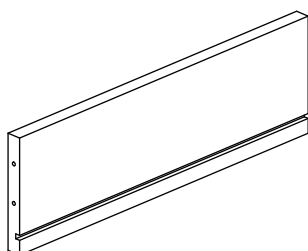
14 (445\*70\*15mm x1)



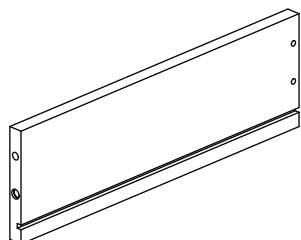
15 (445\*70\*15mm x1)



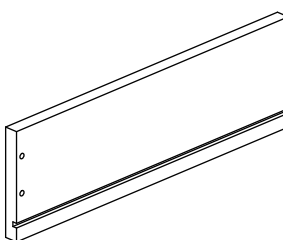
16 (364\*164\*15mm x2)



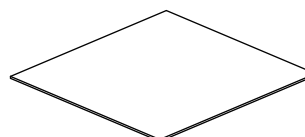
17 (300\*95\*12mm x2)



18 (300\*95\*12mm x2)



19 (300\*95\*12mm x2)

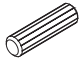
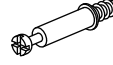

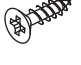
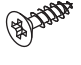
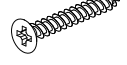


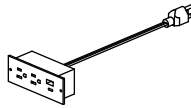

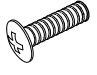
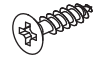
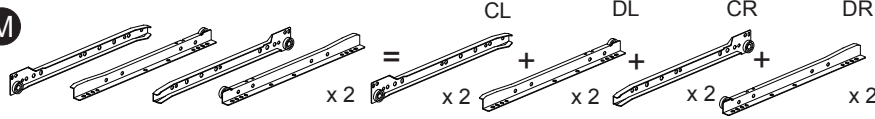


20 (308\*295\*3mm x2)

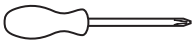
# Componets - Fittings

Please check you have all the fittings listed below

Note: The quantities below are the correct amount to complete the assembly. In some cases more fittings may be supplied are required.

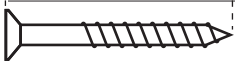
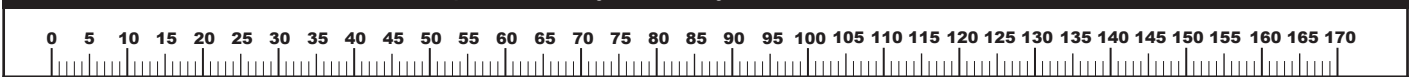
<b>A</b>  6*30mm Wooden Dowel x 30	<b>B</b>  6*35mm Cam Bolt x 34	<b>C</b>  Cam Lock x 34
<b>D</b>  4*12mm Screw x 2	<b>E</b>  3*12mm Screw x 24	<b>F</b>  4*30mm Screw x 8
<b>G</b>  4*35mm Screw x 8	<b>H</b>  4*40mm Screw x 6	<b>I</b>  x 1
<b>J</b>  x 2	<b>K</b>  4*18mm bolt x 2	<b>L</b>  x 8
<b>M</b> 		

## Tools required



Phillips screwdriver  
(medium & large)

## Ruler - Use this ruler to help correctly identify the screws

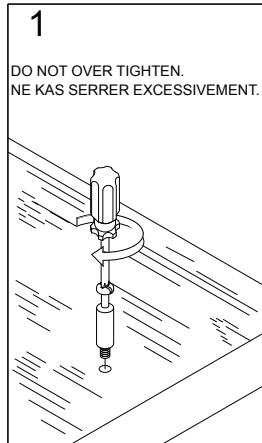


The screws length is measured from the head to the point (30mm screw shown).

# Using Camlocks

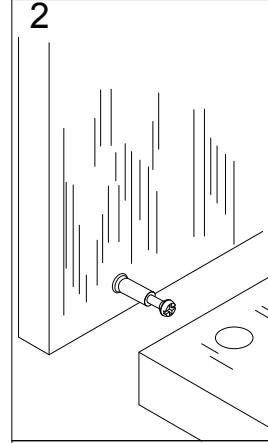
## Step 1

Connect the male camlock as directed in the assembly instructions using a screwdriver.



## Step 2

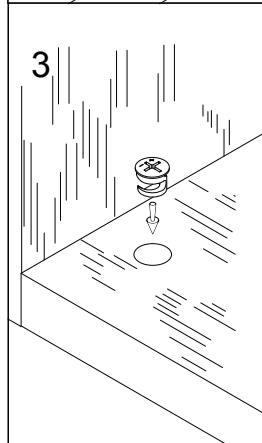
Push the male camlock into the entry hole.



## Step 3

Insert the female camlock as shown in the instructions.

Note: ensure that the arrow on the top of the camlock points towards the entry hole for the male camlock.

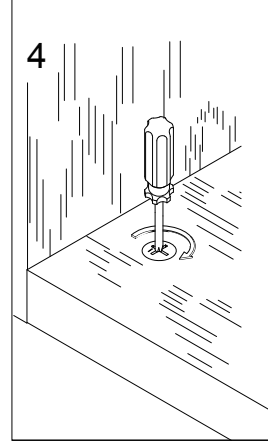


## Step 4

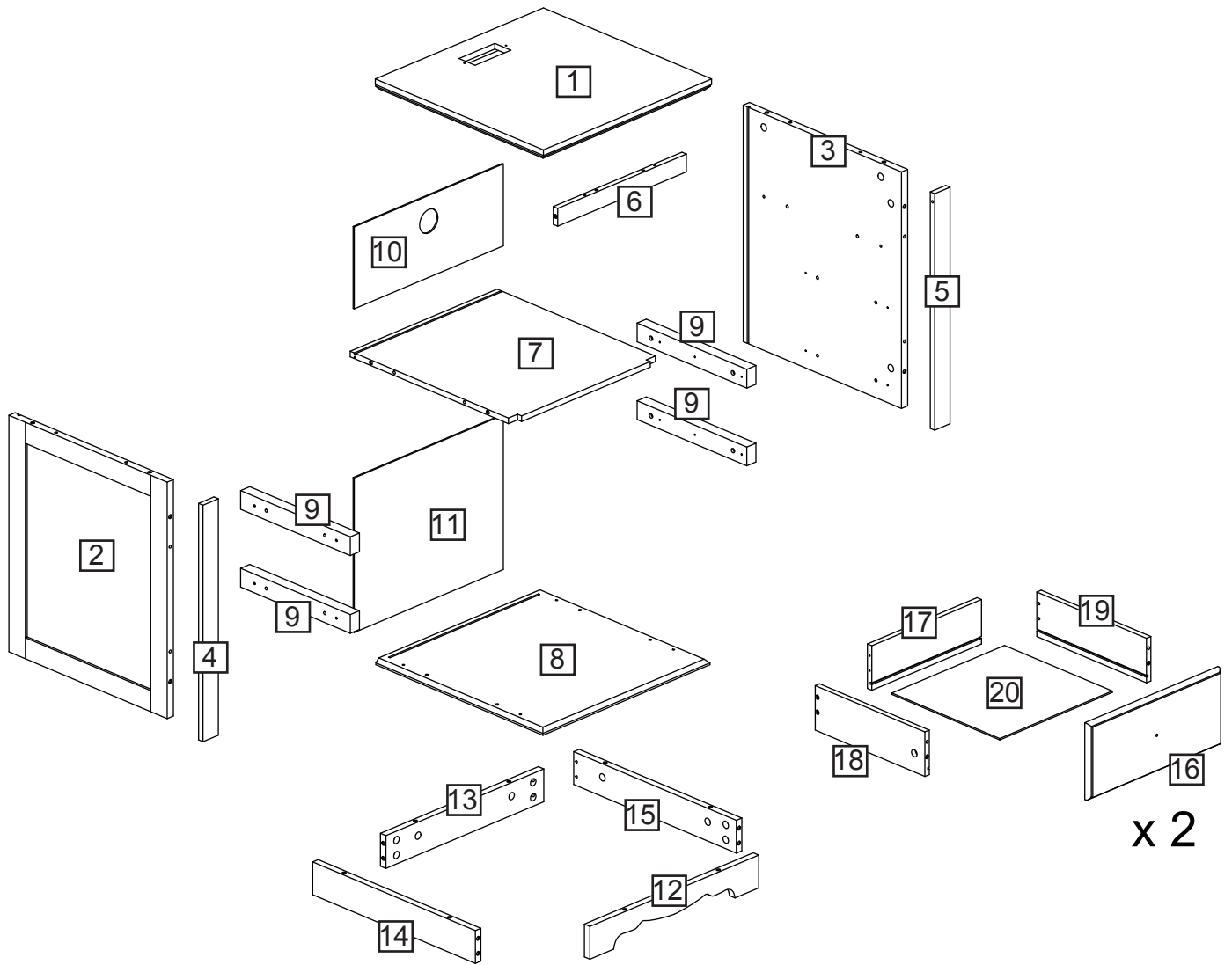
Turn the female camlock clockwise with a screwdriver.

You should feel a click when the camlock is locked in place.

The joint is now secure.



# Assembly Instructions

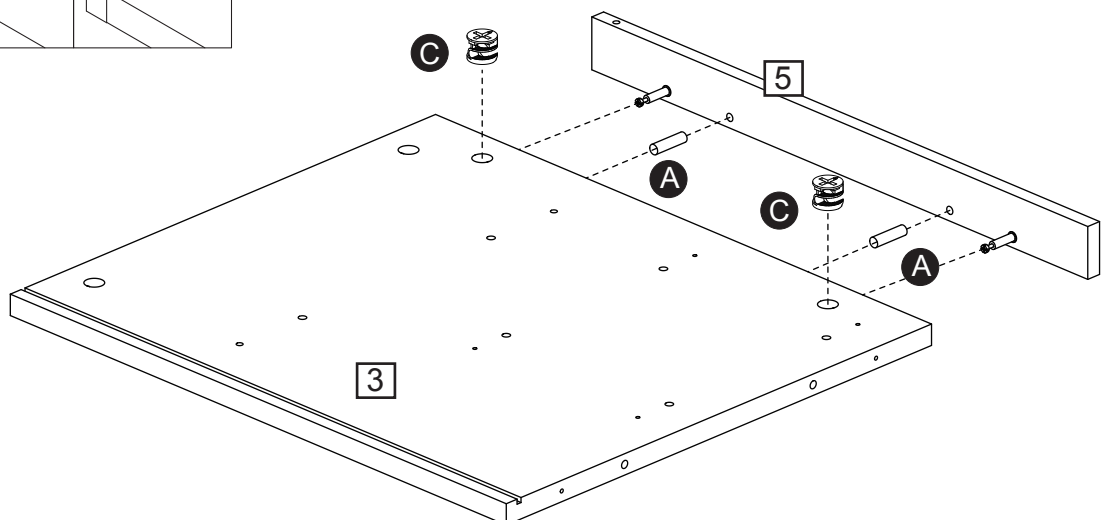
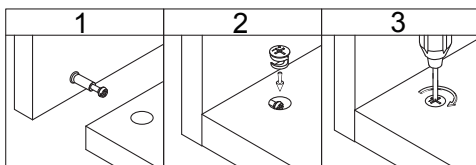
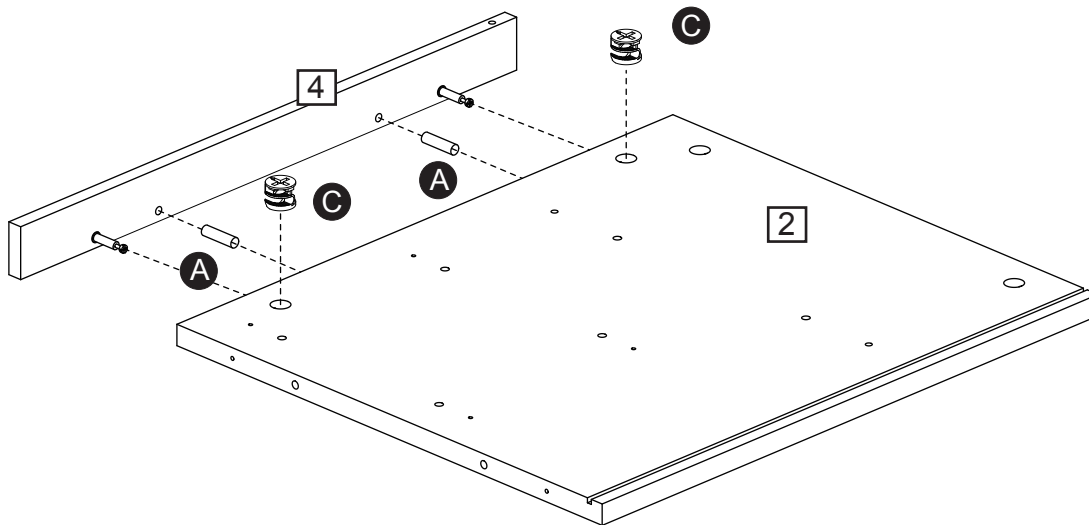
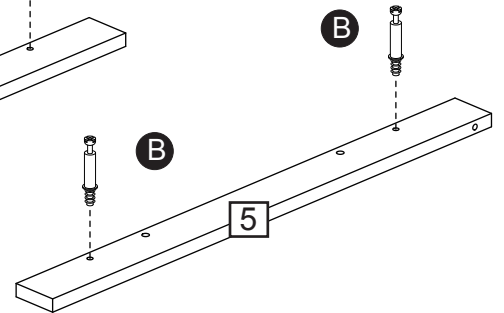
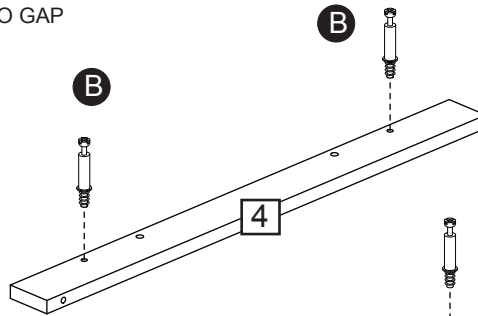
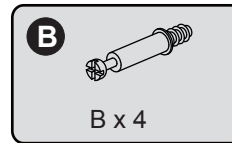
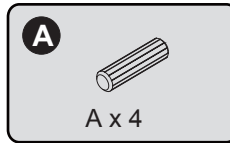
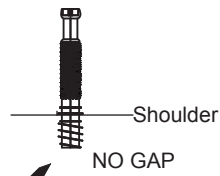
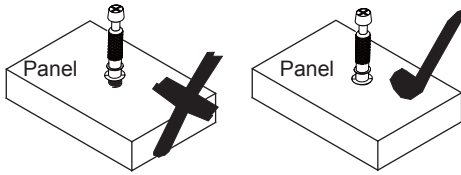


# Assembly Instructions

## Step 1

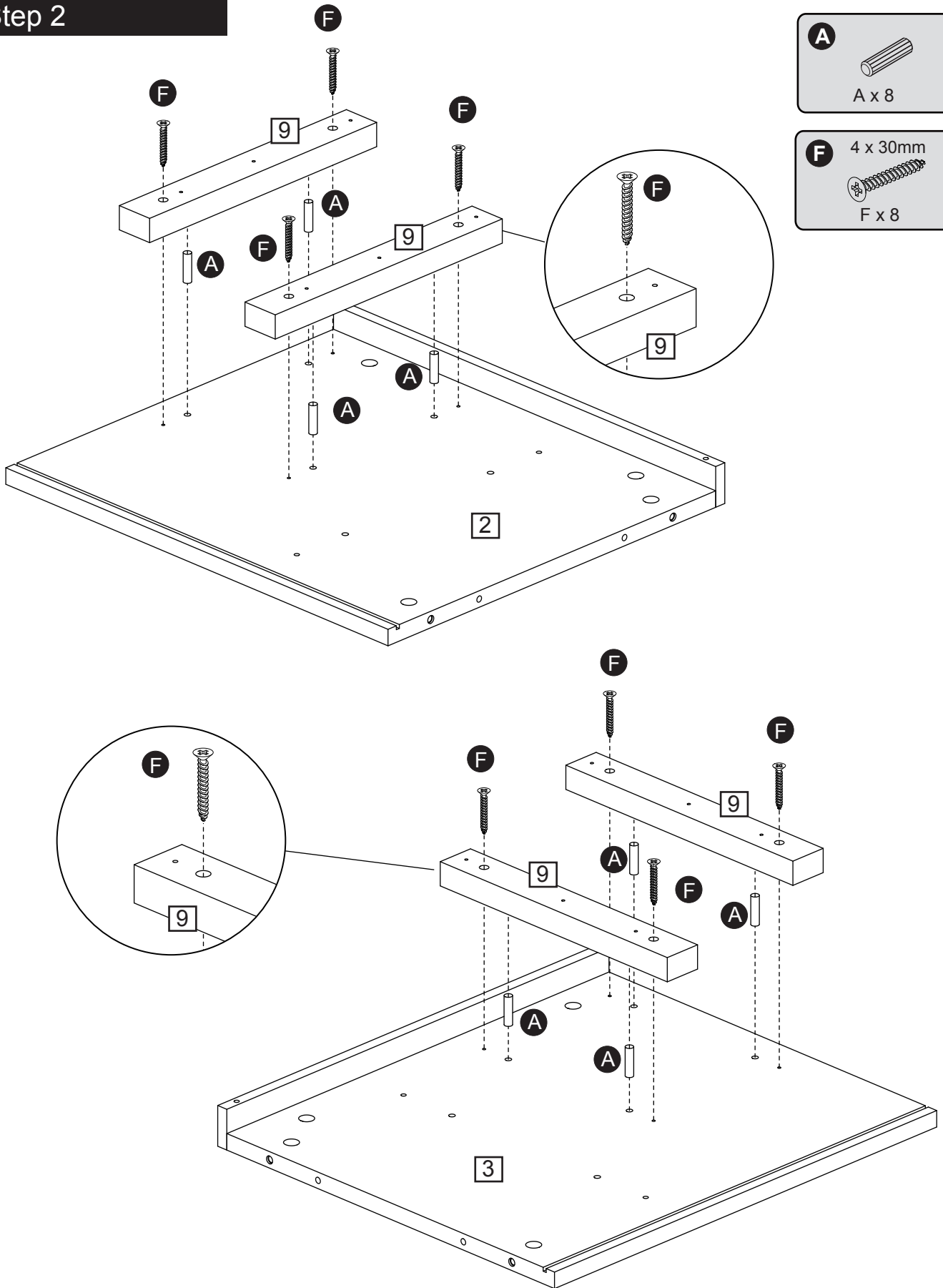
### CAM-LOCK

Tighten until shoulder is flush with panel. Do not overtighten or undertighten (see example below)



# Assembly Instructions

## Step 2

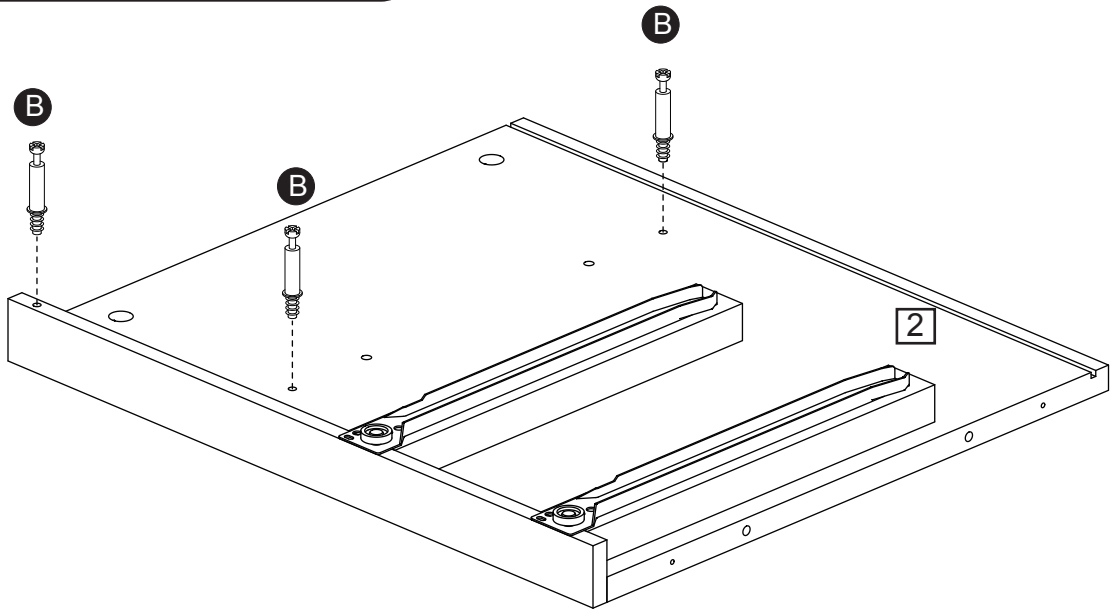
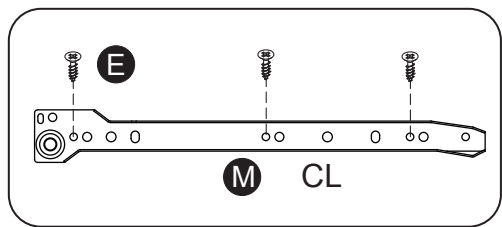
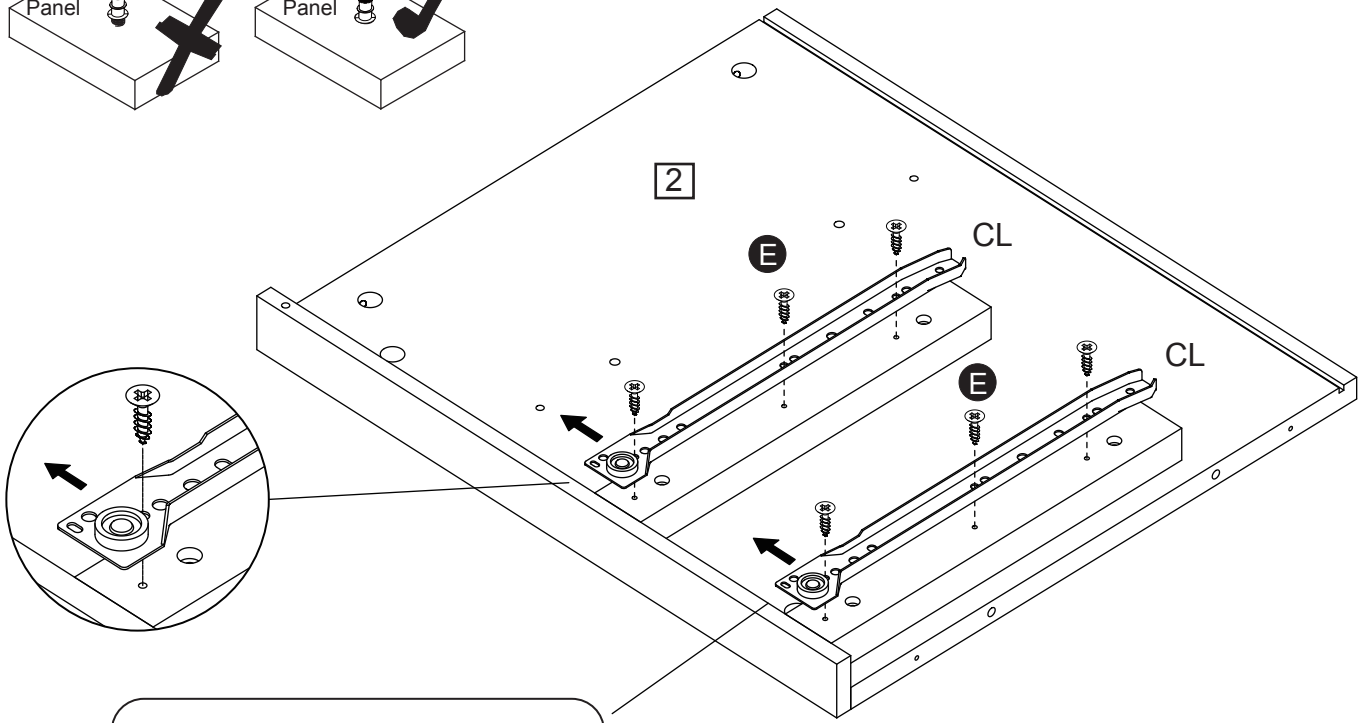
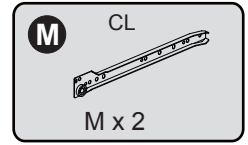
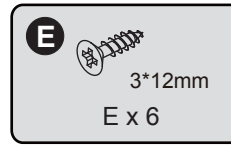
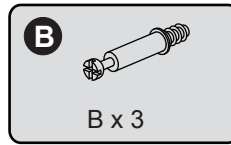
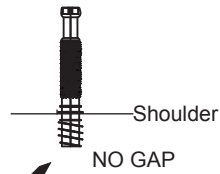
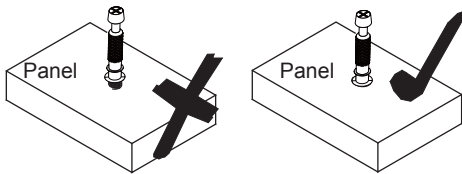


# Assembly Instructions

## Step 3

### CAM-LOCK

Tighten until shoulder is flush with panel. Do not overtighten or undertighten (see example below)

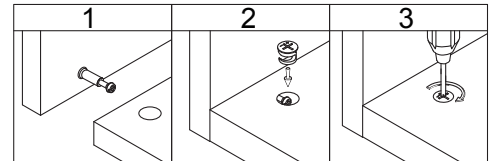
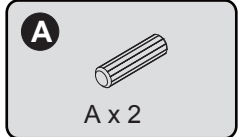
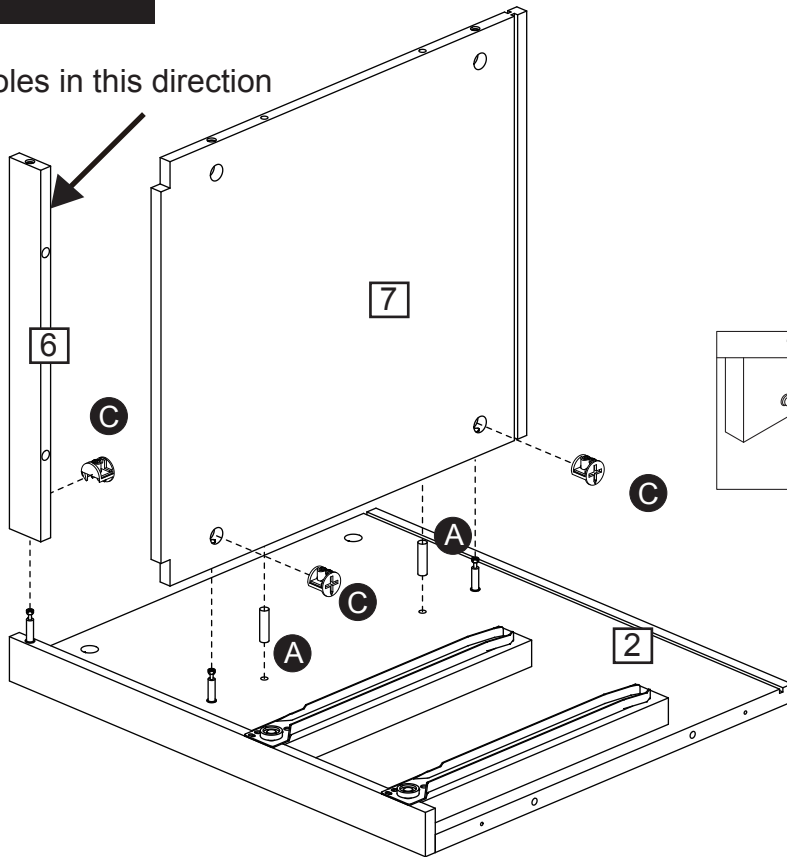




# Assembly Instructions

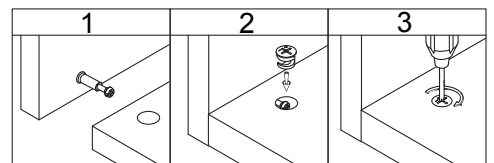
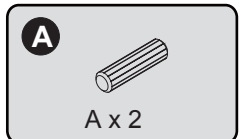
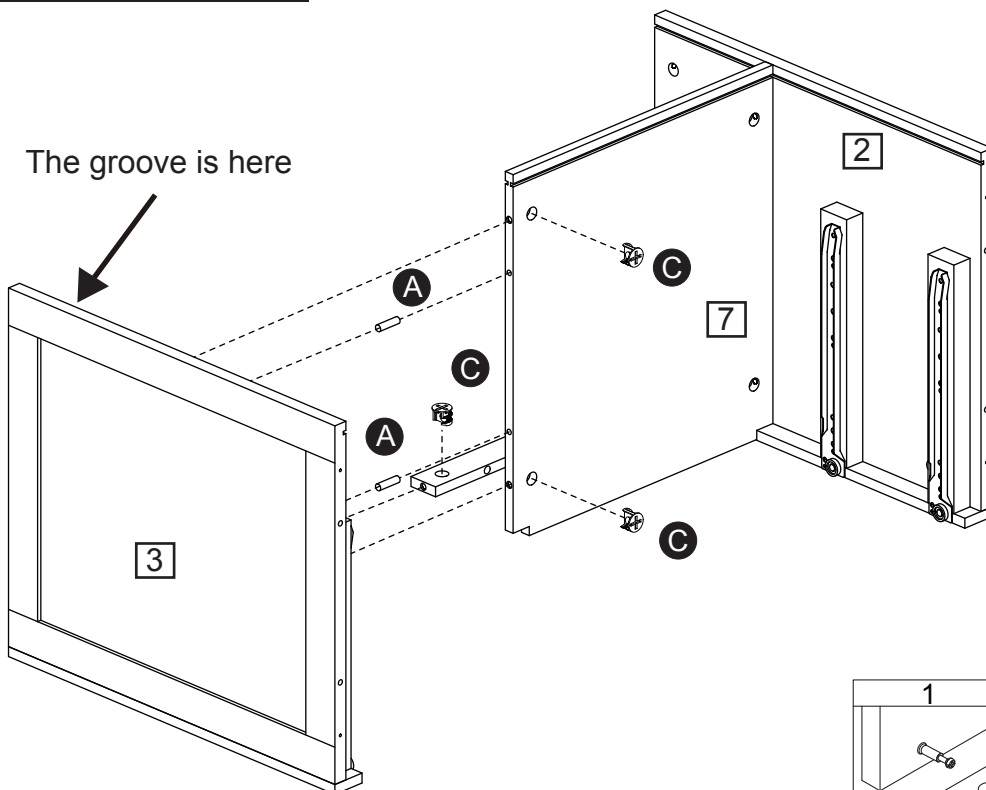
## Step 5

Two holes in this direction



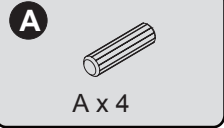
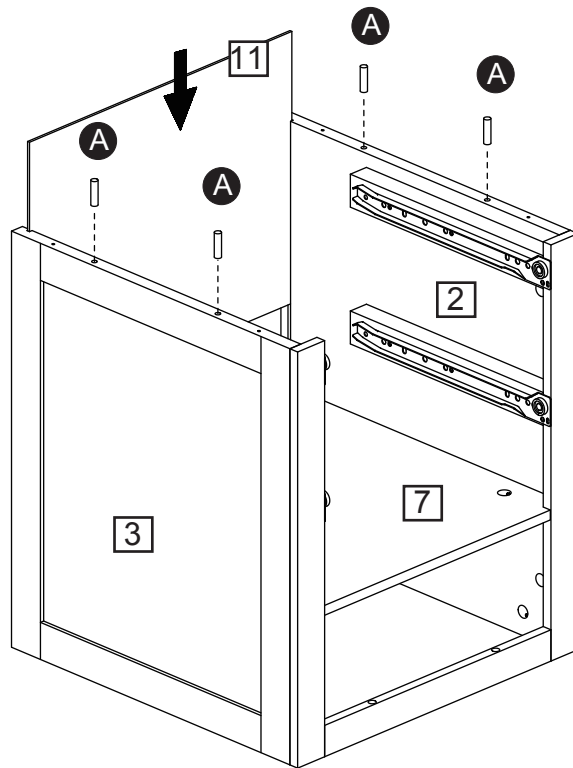
## Step 6

The groove is here



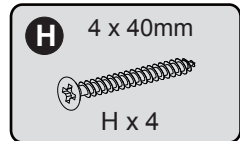
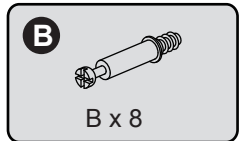
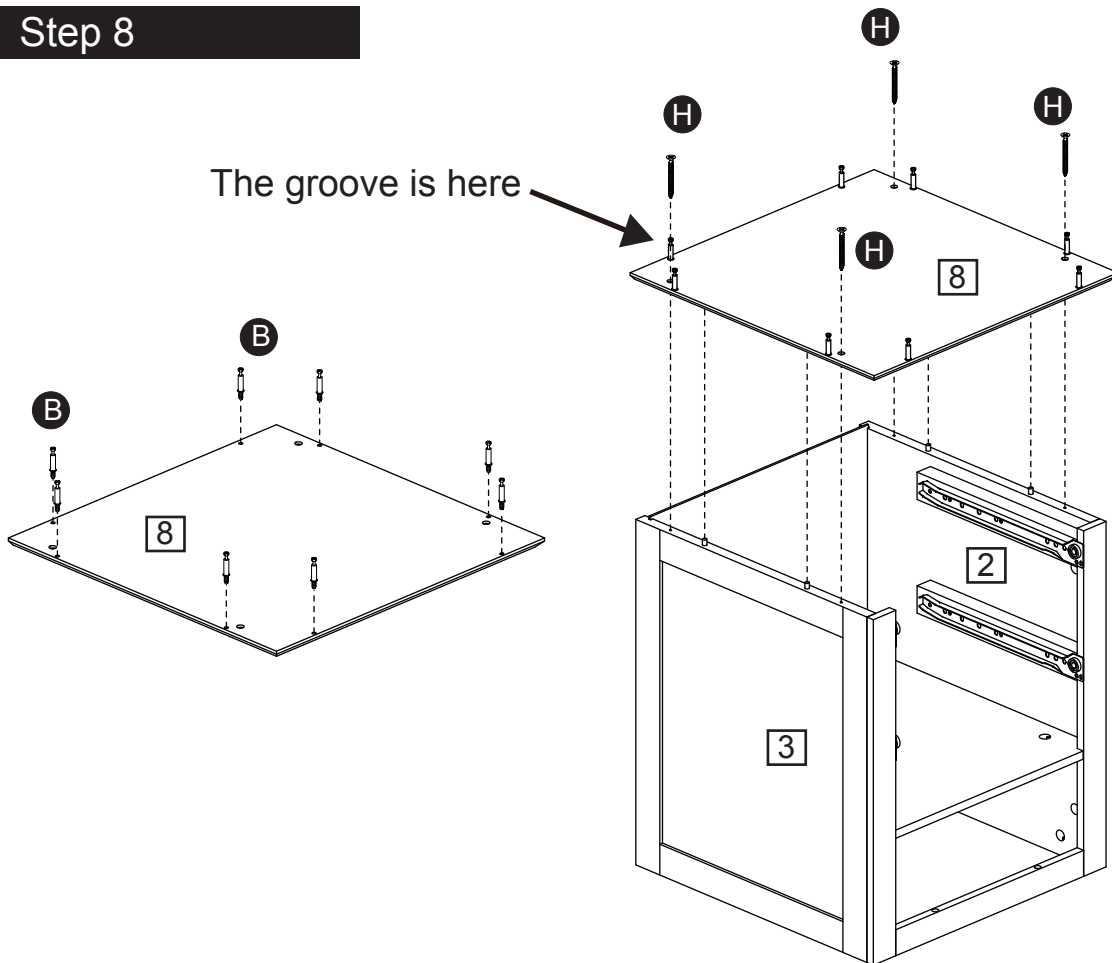
# Assembly Instructions

## Step 7



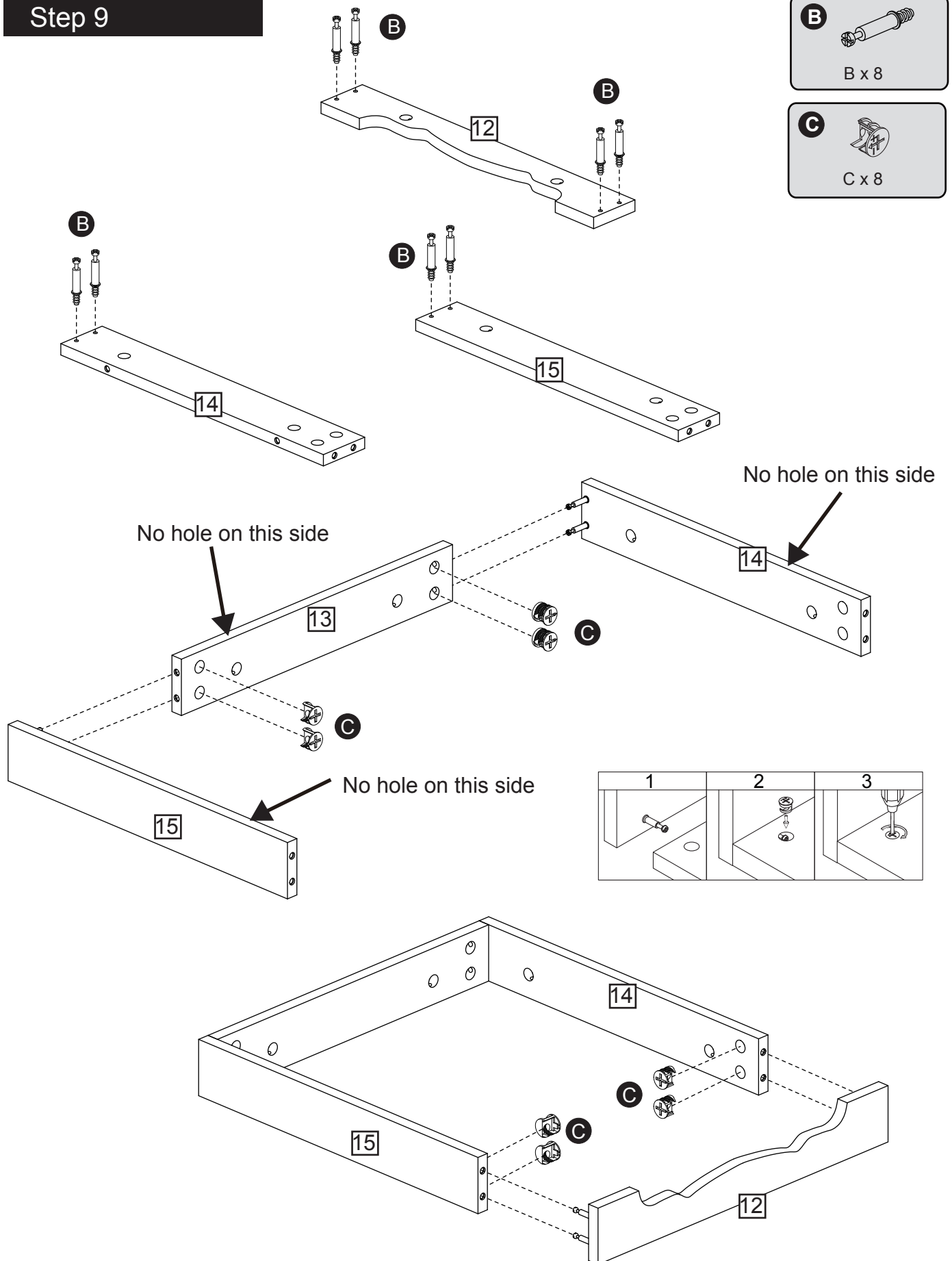
## Step 8

The groove is here



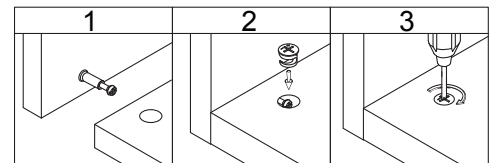
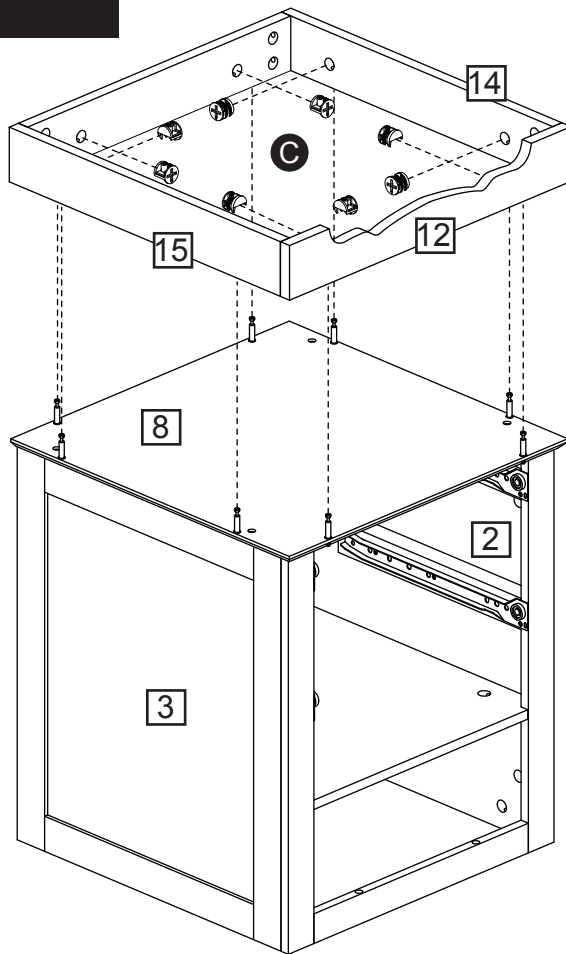
# Assembly Instructions

## Step 9

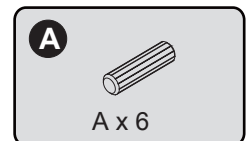
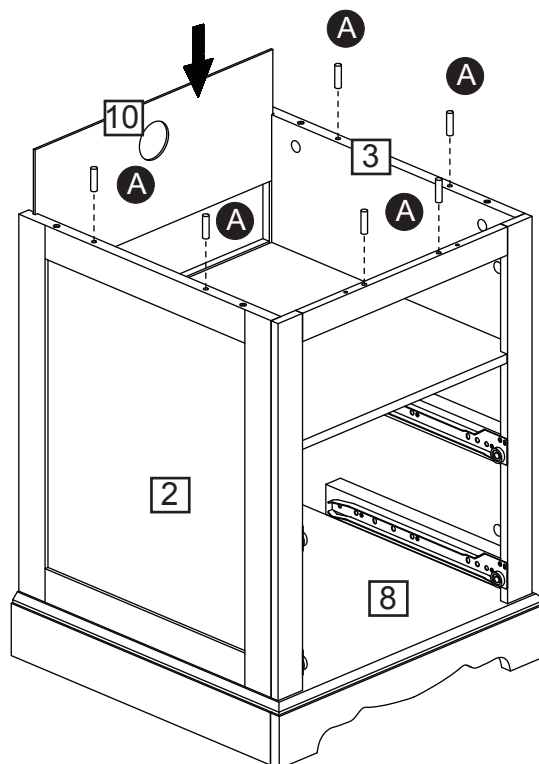


# Assembly Instructions

## Step 10



## Step 11

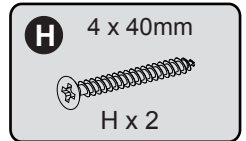
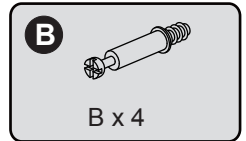
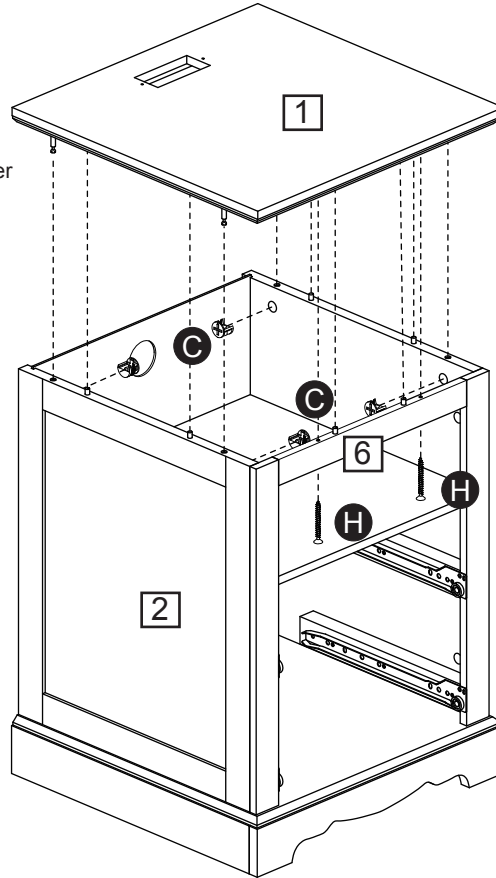
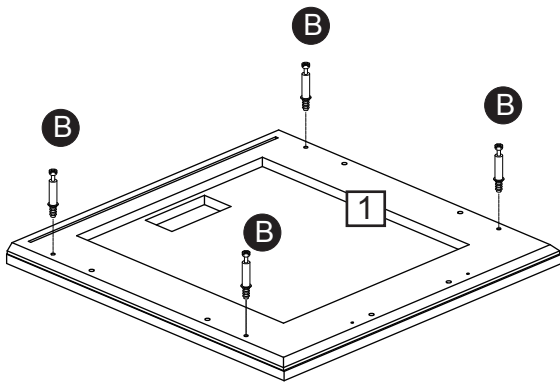
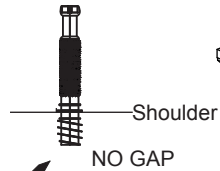
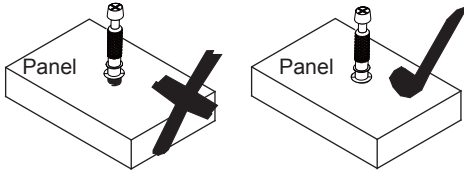


# Assembly Instructions

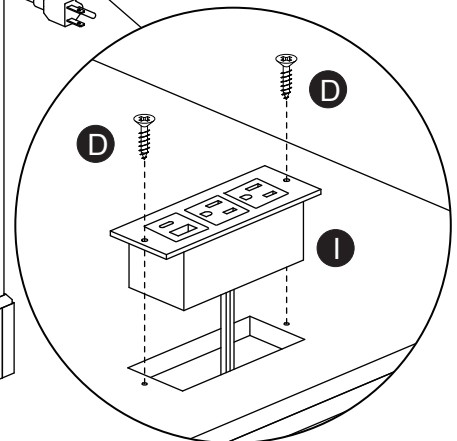
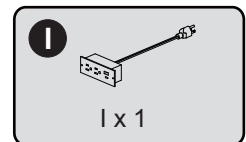
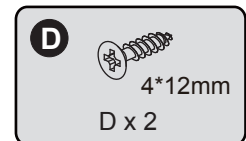
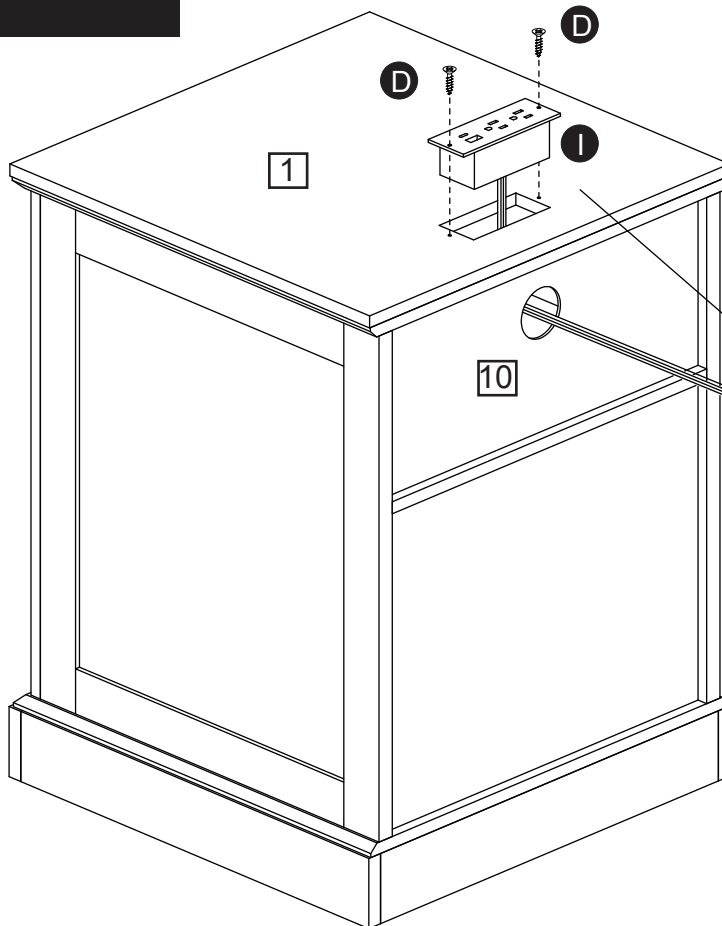
## Step 12

### CAM-LOCK

Tighten until shoulder is flush with panel. Do not overtighten or undertighten (see example below)

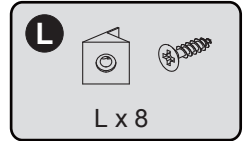
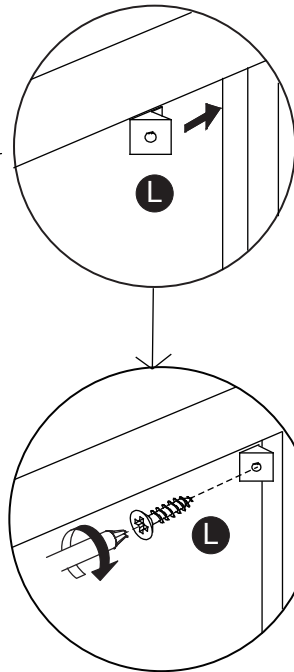
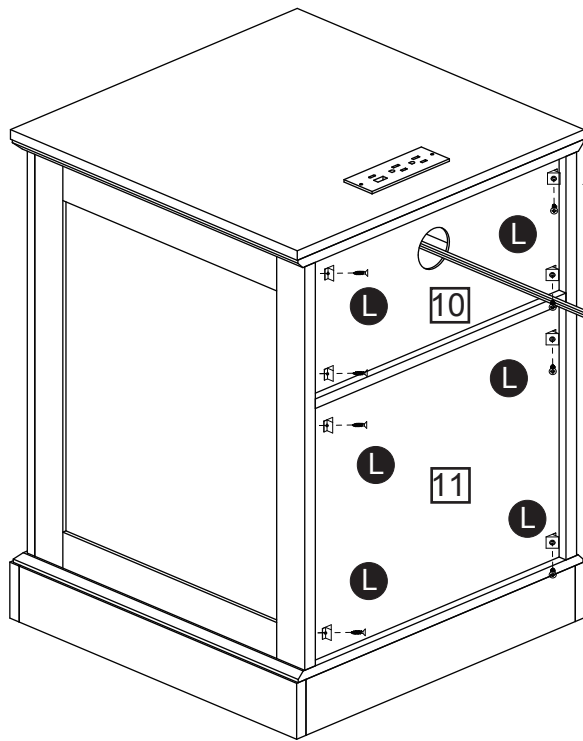


## Step 13

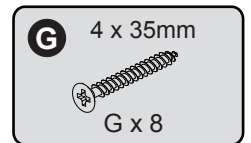
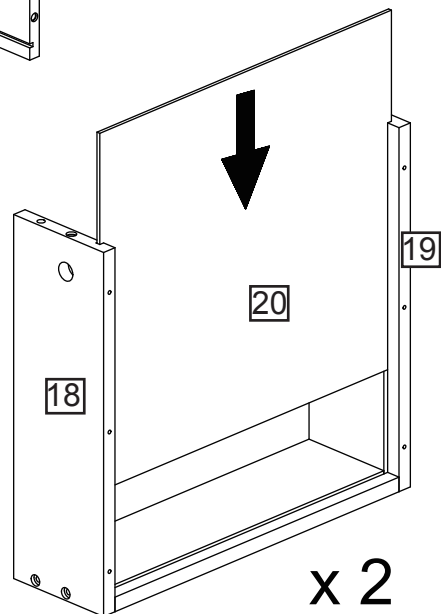
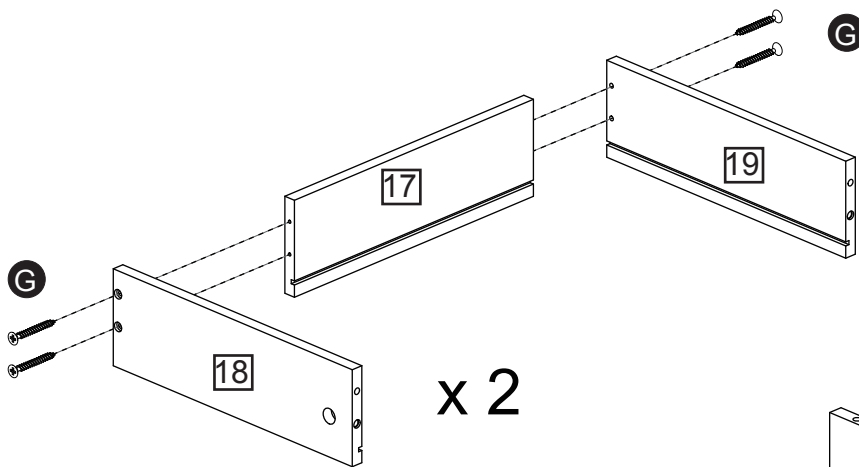


# Assembly Instructions

## Step 14

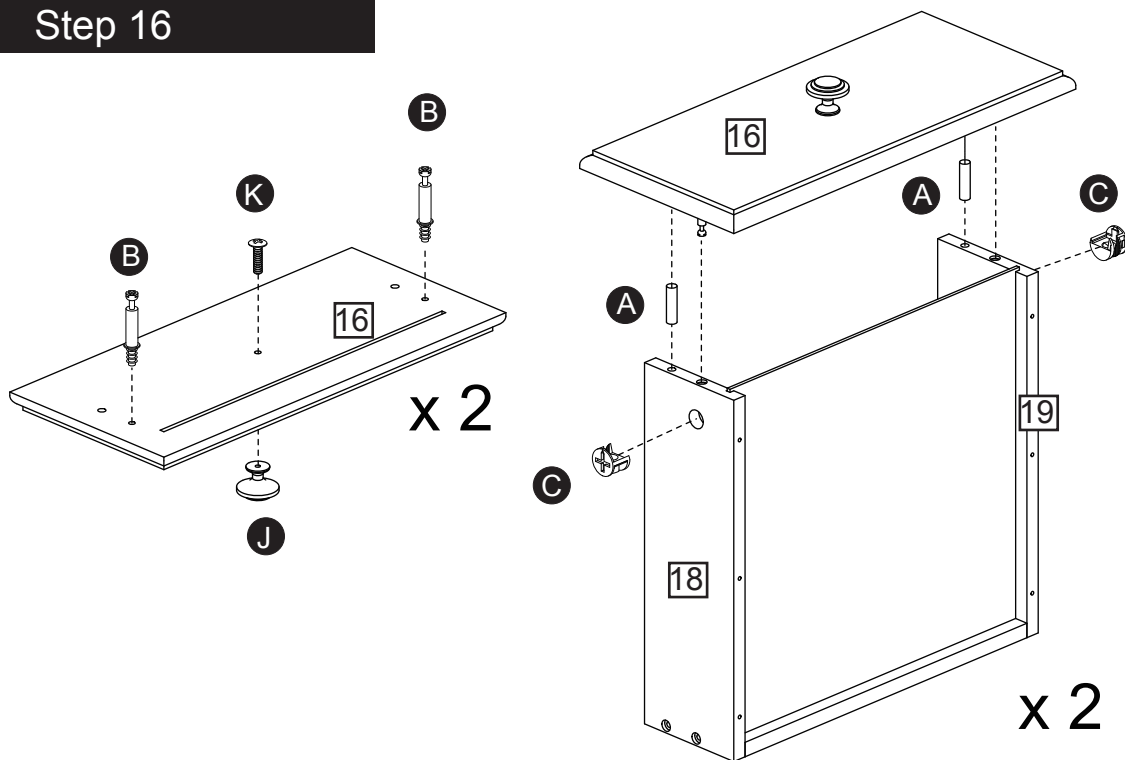


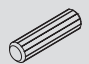
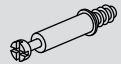



## Step 15



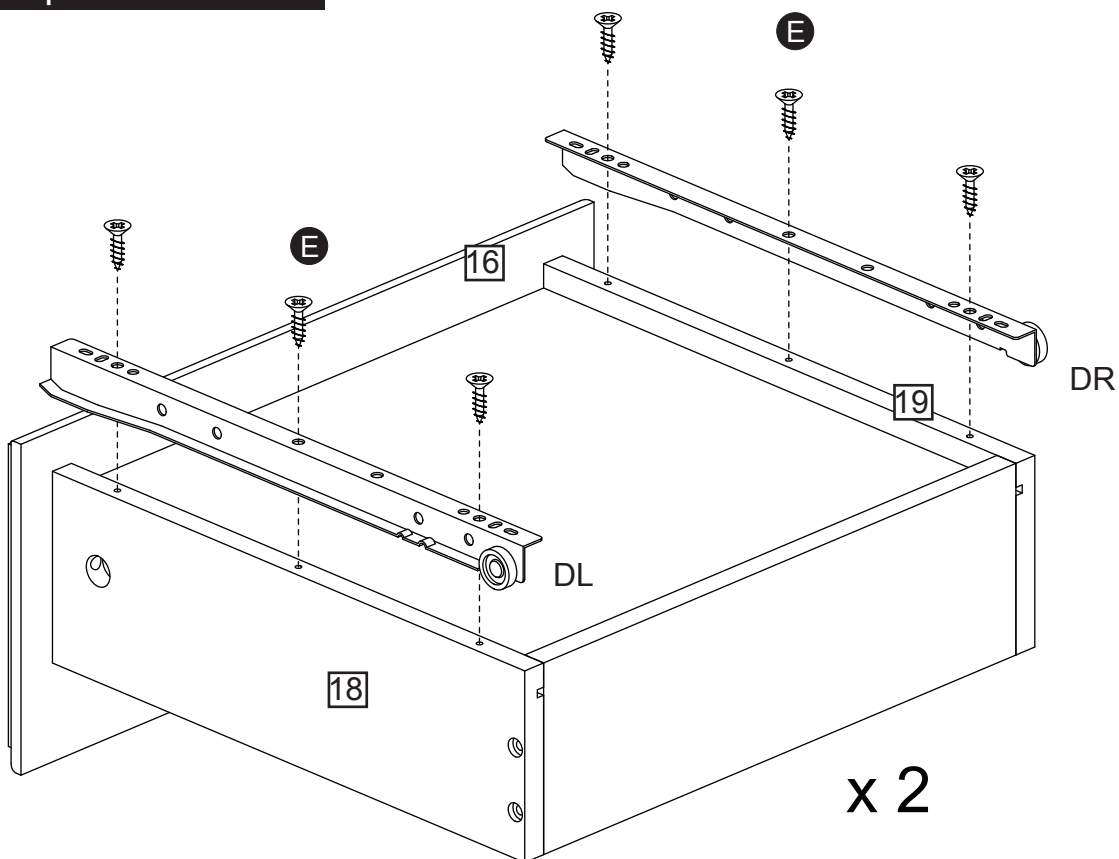
# Assembly Instructions


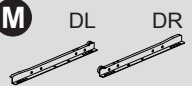
## Step 16



- A**   
A x 4
- B**   
B x 4
- C**   
C x 4
- J**   
J x 2
- K**   
K x 2

## Step 17

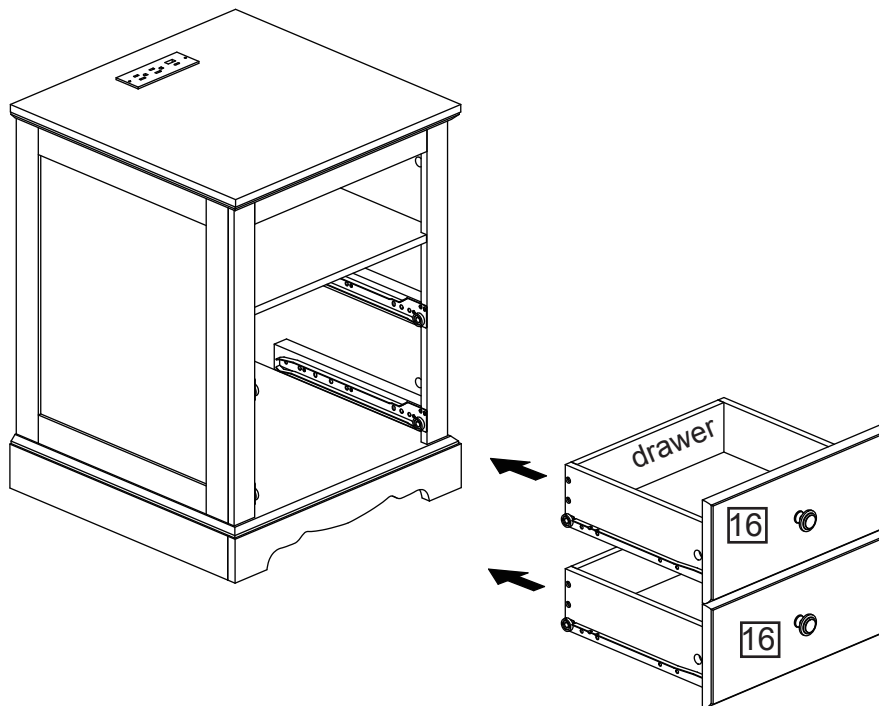


- E**   
3\*12mm  
E x 12
- M**   
DL DR  
M x 2

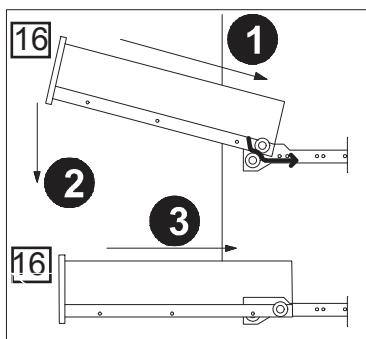
# Assembly Instructions

## Step 18

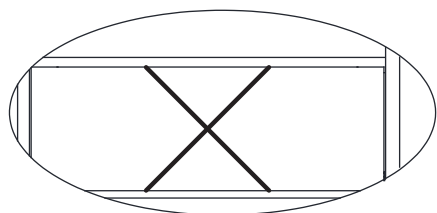
Congratulation! You've made to the last step! But don't be too thrilled yet, put on the drawer can be frustrating if you do it wrong. So, take your time and follow the steps below.



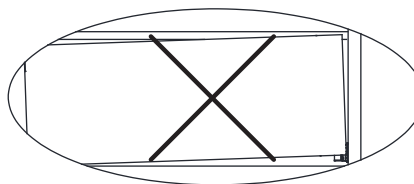
1. Please ensure that you have matched the wheels on BOTH sides of the drawer with the wheels on rails installed BEFORE push in the drawer.



2. If the following occurs, redo the first **two** step.



(both wheel are off the rails)



(one wheel is off the rail)