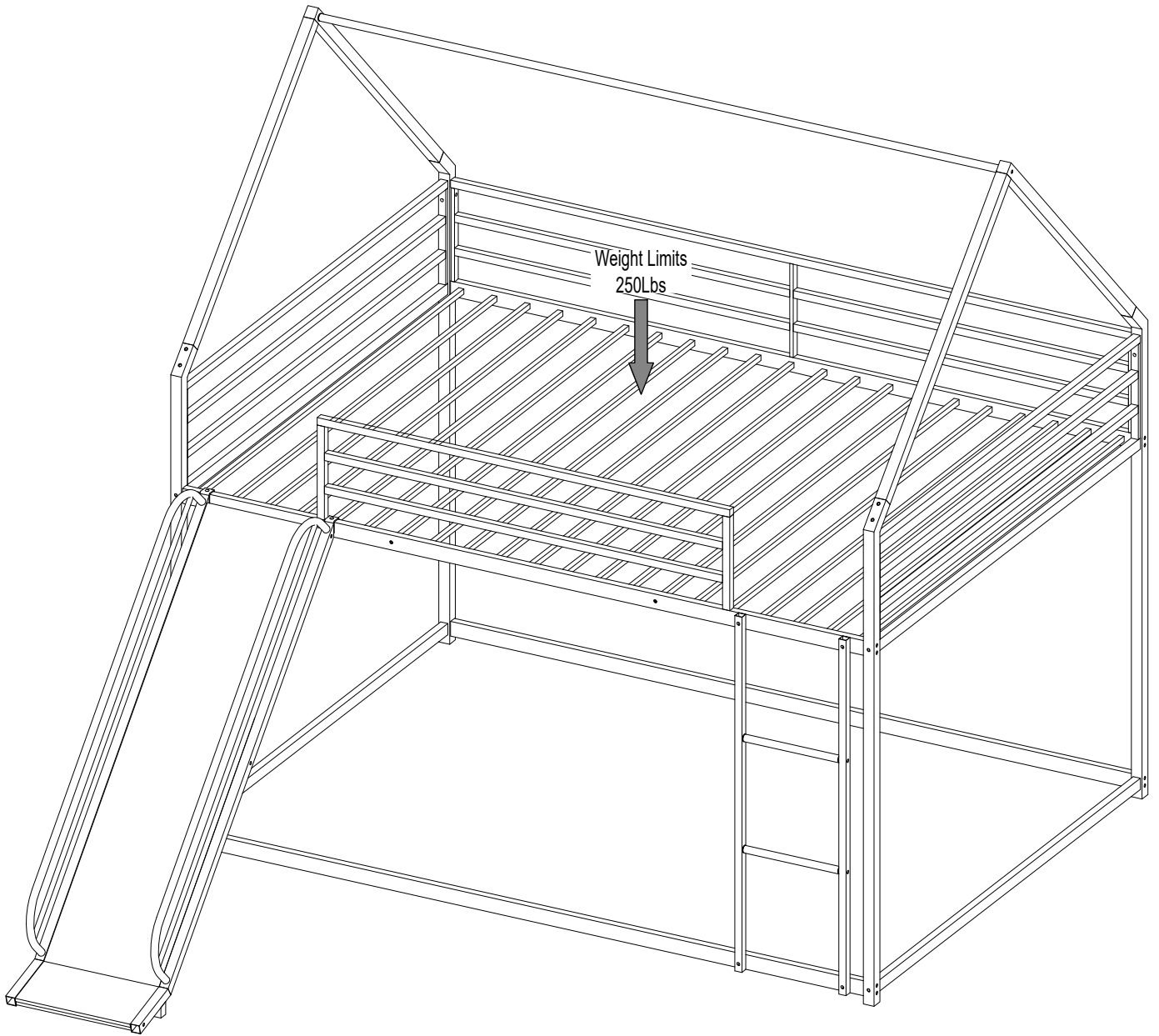
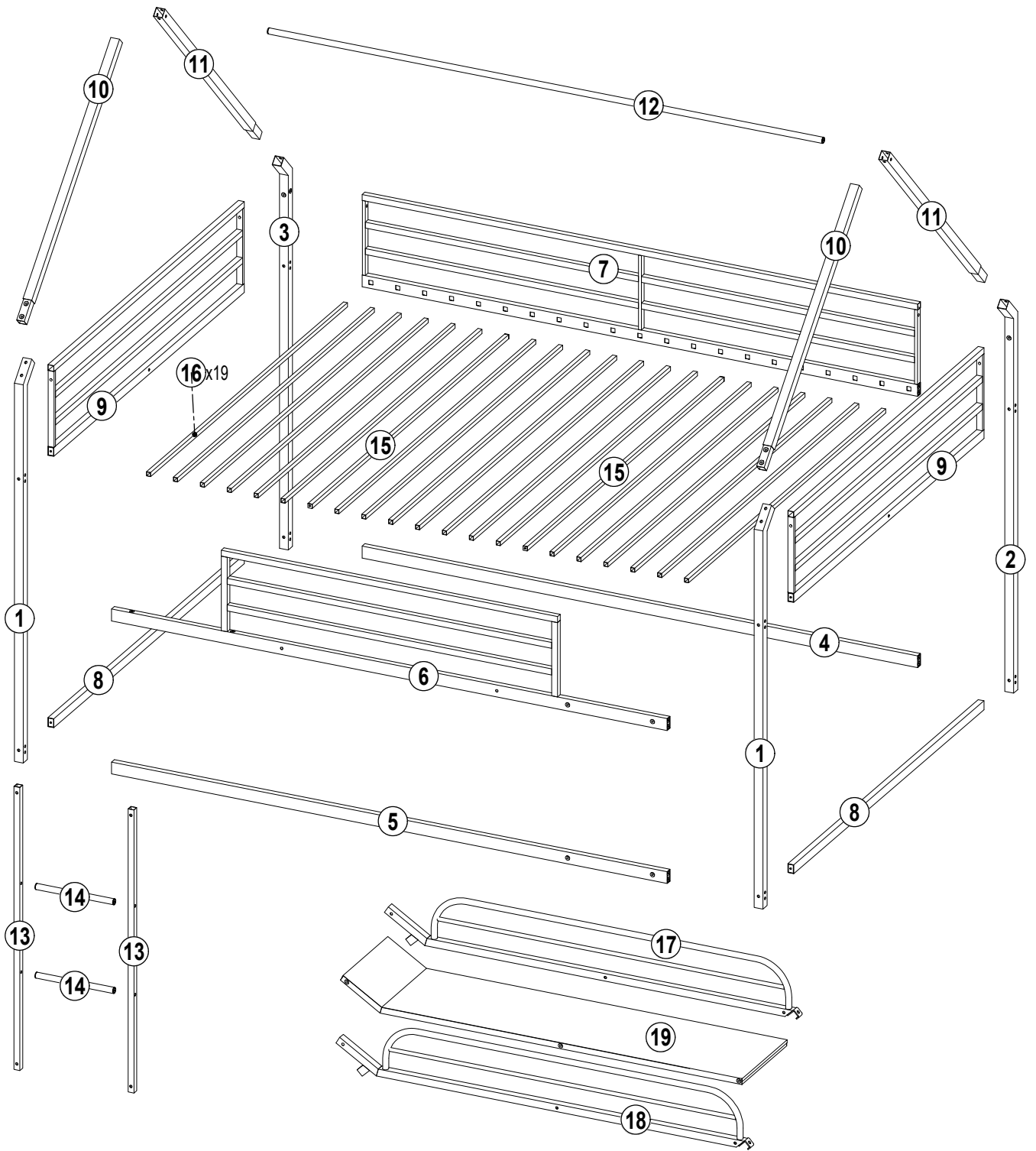
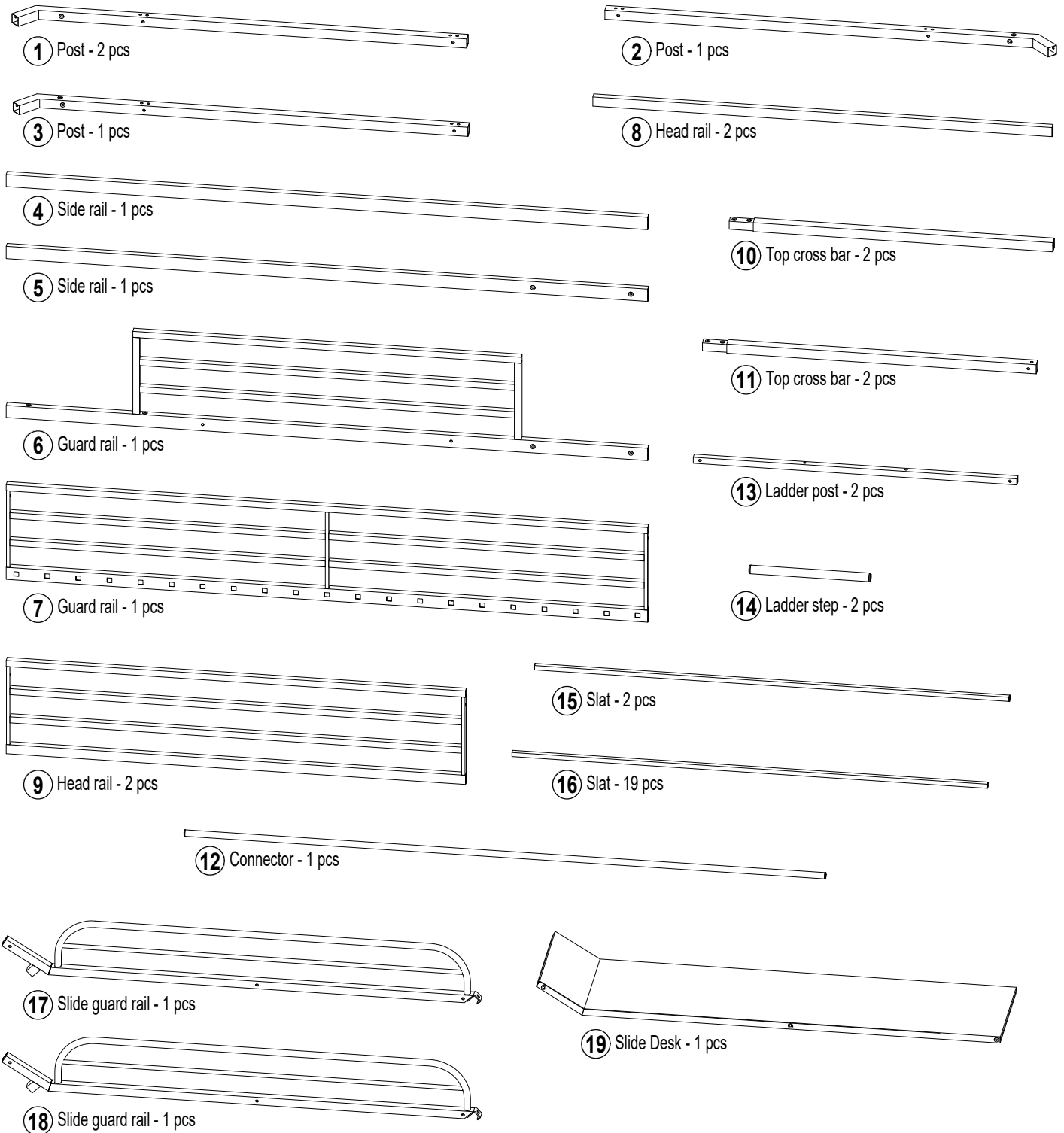


BUNK BED
ASSEMBLY INSTRUCTIONS
SKU: N709P170685

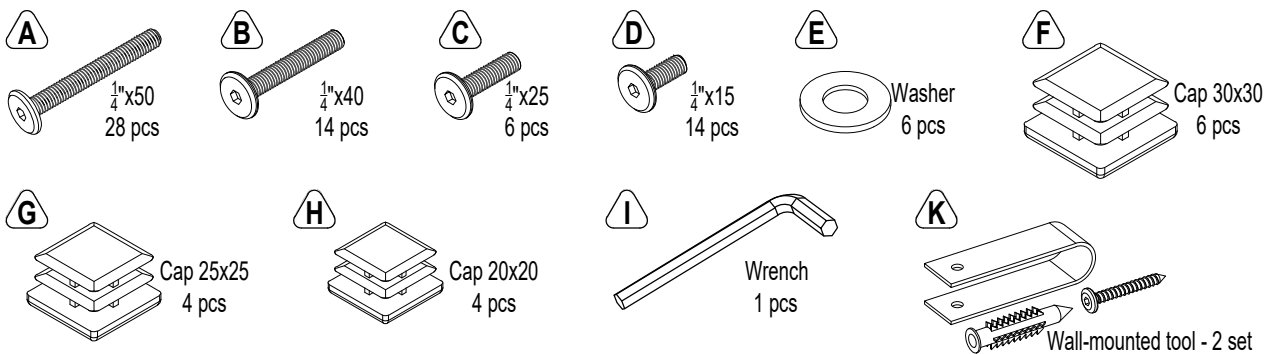




PART LIST



HARDWARE LIST



SAFETY WARNING AND GENERAL NOTES

- Follow the information on the warnings on the bunk bed end structure and on the carton. Do not remove the warning label from the bed.
- Always use the recommended size mattress on the mattress support, or both, to help prevent the likelihood of entrapment or falls.
- Do not allow children under 6 years old to use the upper bunk.
- Periodically check and ensure the guardrail, ladder and other components are in their proper position, free from damage, and all connectors are tight.
- Do not allow horseplay on or under bed.
- Always prohibit jumping on the bed.
- Prohibit more than one person on upper bed.
- Always use the ladder for entering and leaving the upper bed.
- Do not use substitute parts. Contact the manufacturer or dealer for replacement parts.
- Use of a night-light may provide added safety precaution for a child using the upper bunk.
- Always use guardrails on both long sides of the upper bunk.
- If the bunk bed will be placed next to a wall, the guardrail that runs the full length of the bed should be placed against the wall to prevent entrapment between the bed and the wall.
- The use of water or sleep flotation mattress is prohibited.
- STRANGULATION HAZARD - Never attach or hang items to any part of the bunk bed that are not designed for use with the bed; for example, but not limited to, hook, belts and jump ropes.
- Keep these instructions for future reference.
- We recommended assembling your bunk bed on the shipping carton to protect your floor or carpet.
- Be certain all staples are out of the box before beginning assembly on the shipping carton.
- USE ONLY MATTRESSES WHICH ARE AS THE TABLE BELOW ON UPPER AND LOWER BUNKS.

Down bed:

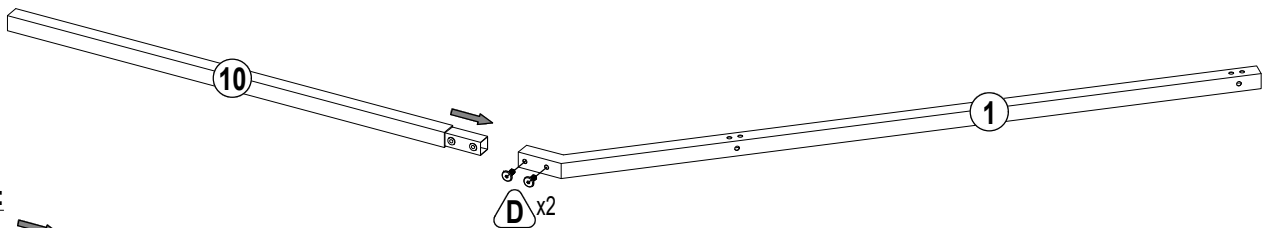
Bed type	Length	Width	Thickness
Twin Standard	74" - 75"	38½"	6" max

Up bed: (bunk bed and tribed included)

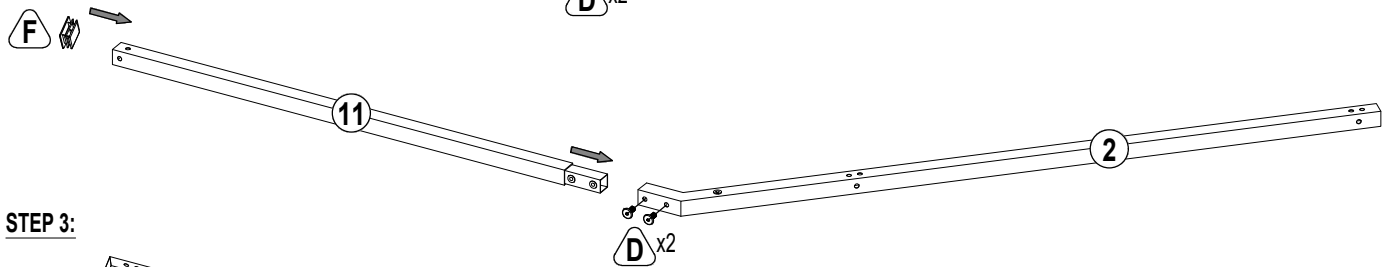
Bed type	Length	Width	Thickness
Twin Standard	74" - 75"	38½"	10" max

- SURFACE OF MATTRESS MUST BE AT LEAST 5" (127MM) BELOW THE UPPER EDGE OF GUARDRAILS.
- Replacement Parts, including additional guardrails, may be obtained from any of our (GIGACLOUD TECHNOLOGY (USA) INC.) dealers.
- Please, do not tighten any screw before each assembling unit is well placed at appropriate position.

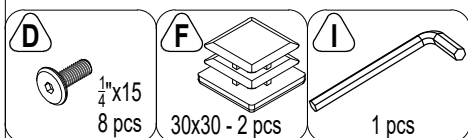
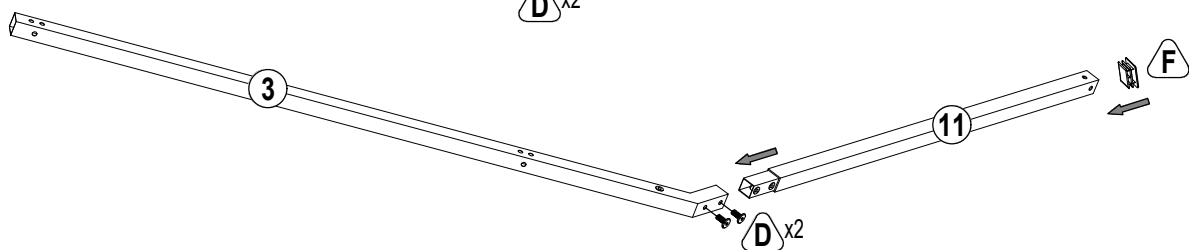
STEP 1: X2 times



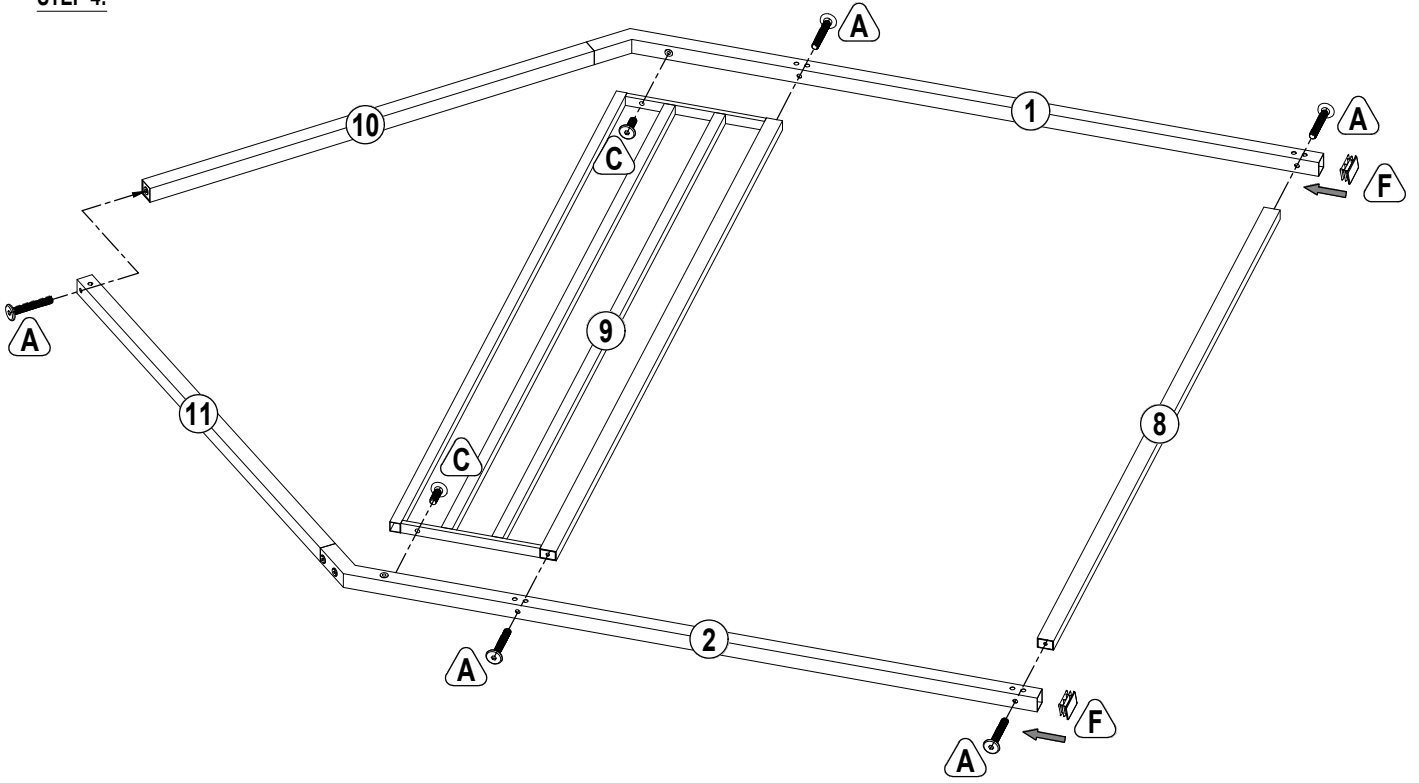
STEP 2:



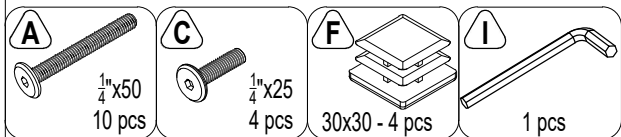
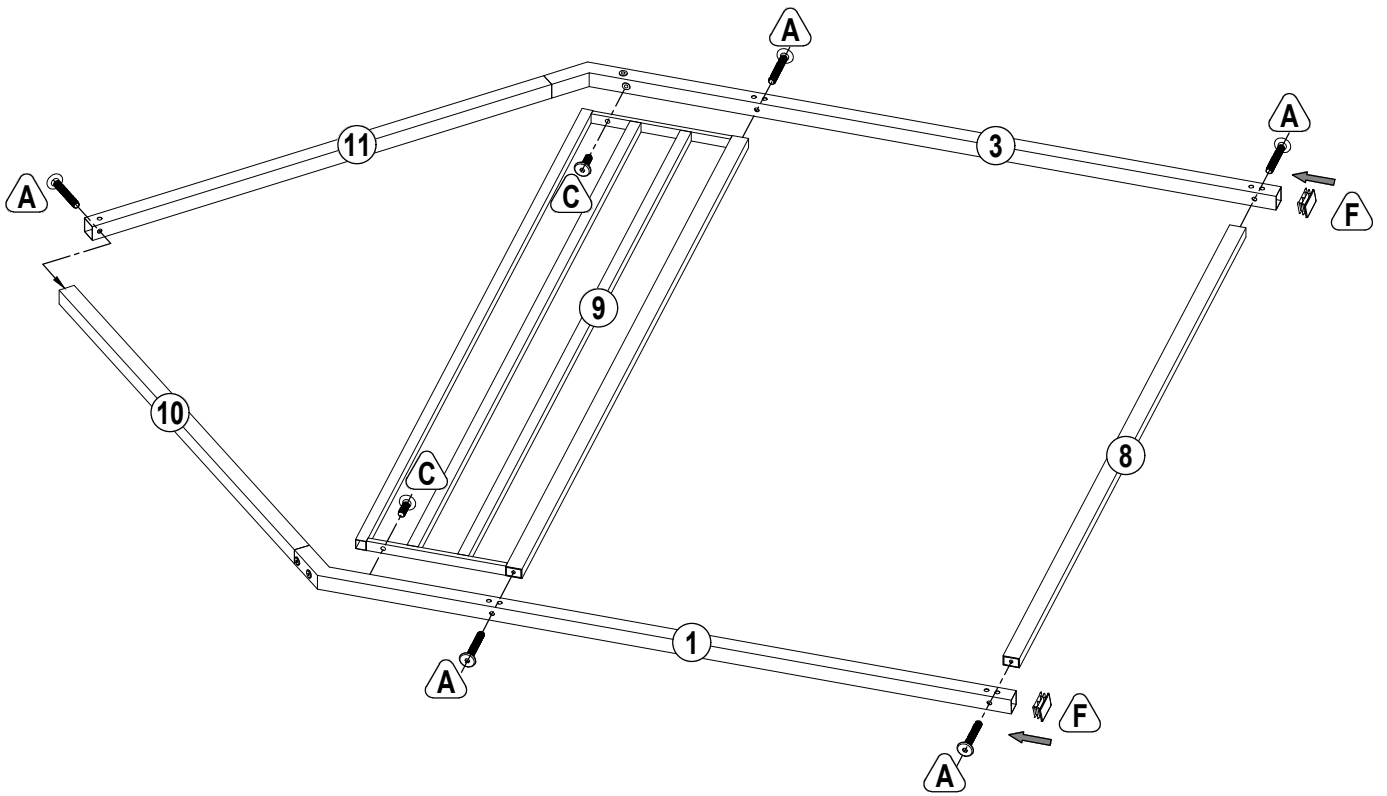
STEP 3:



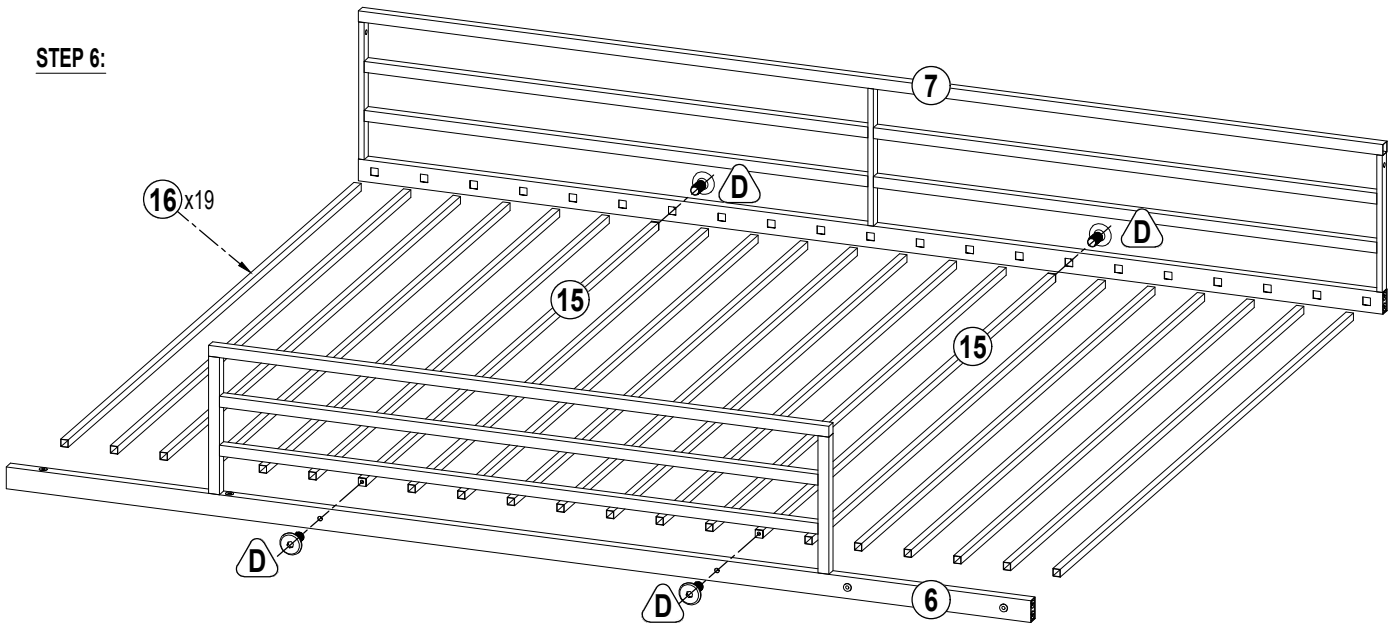
STEP 4:



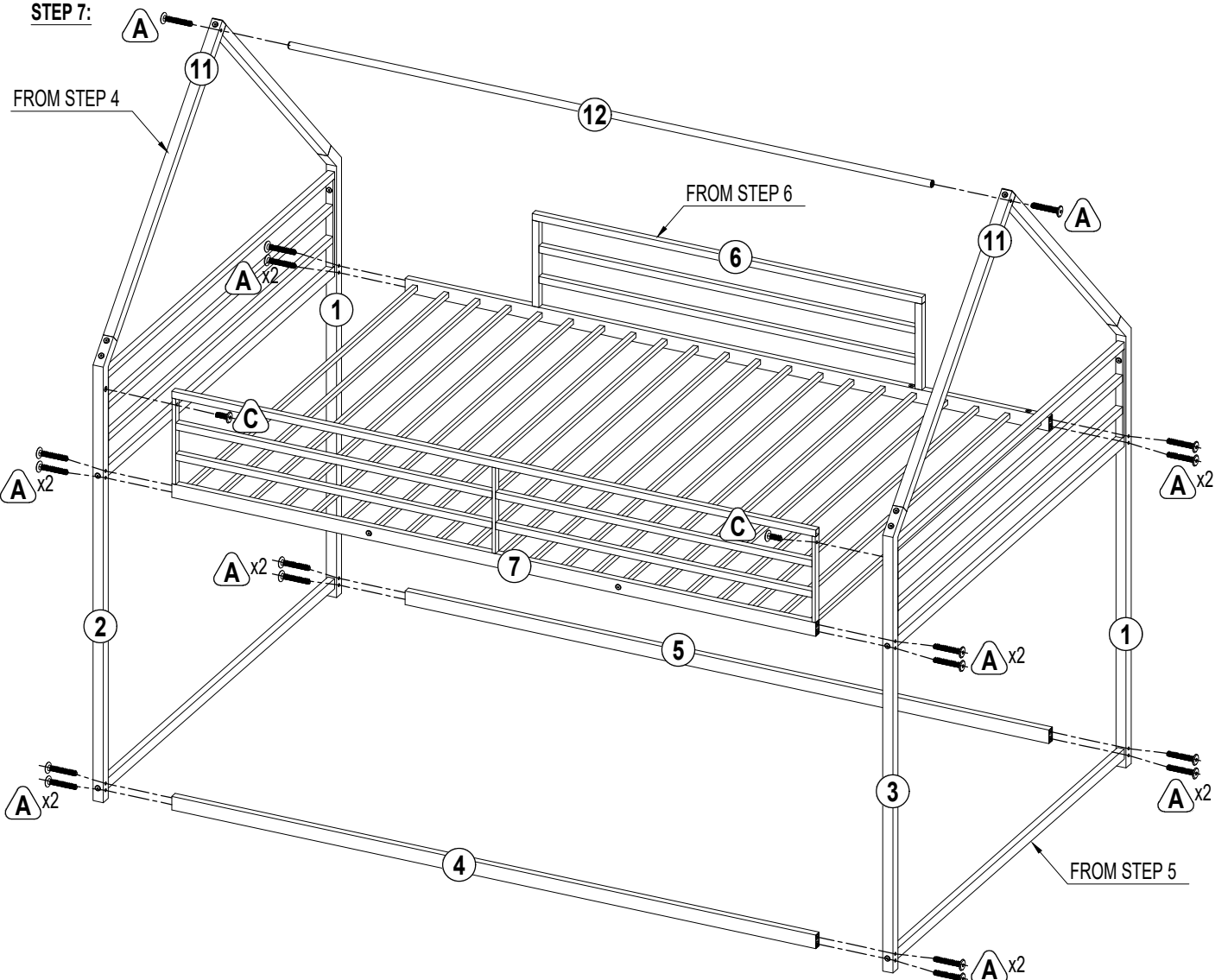
STEP 5:

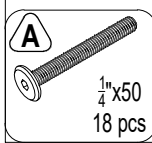
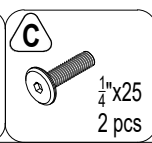
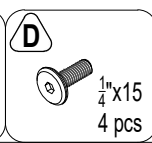
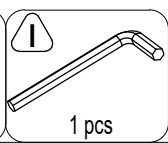


STEP 6:

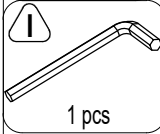
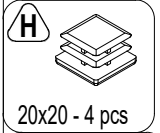
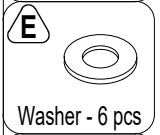
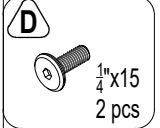
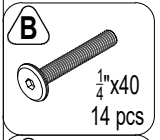
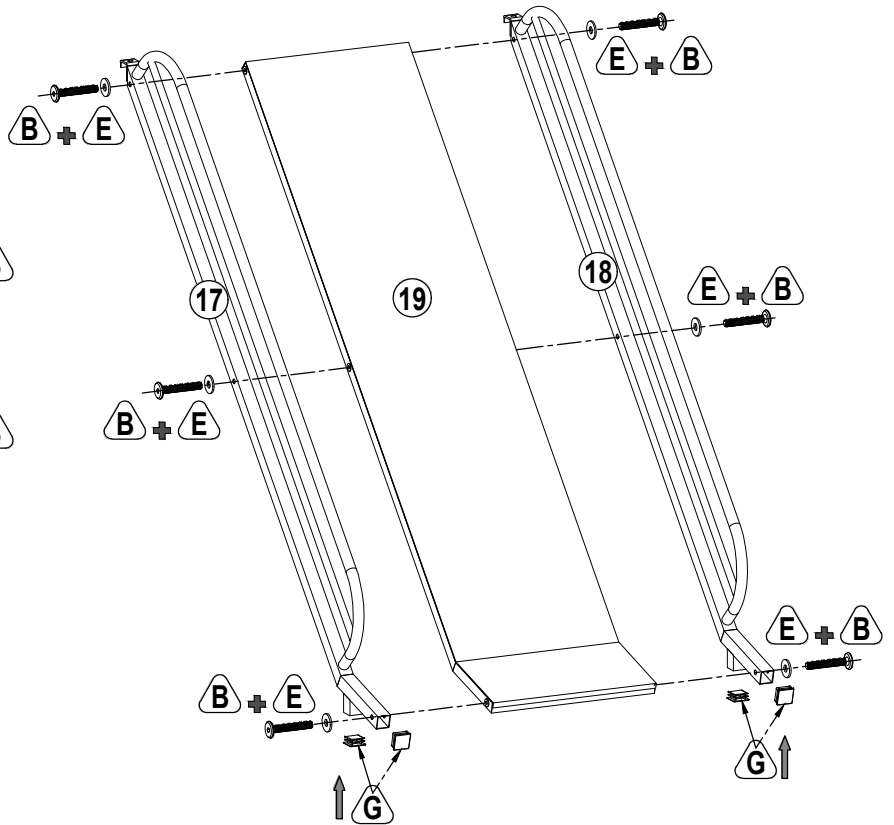
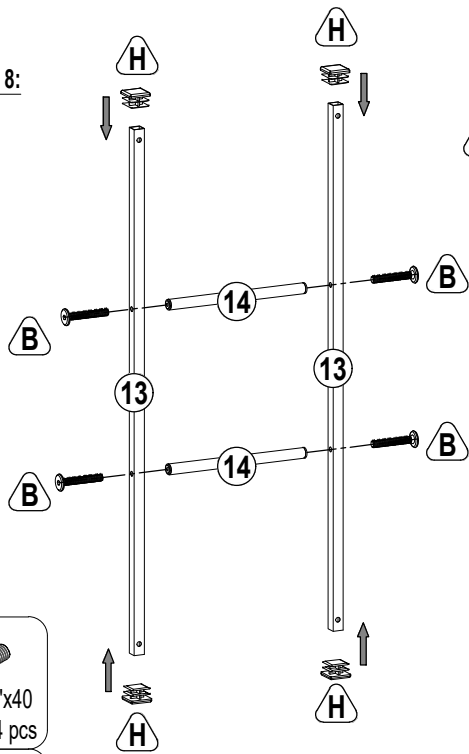


STEP 7:

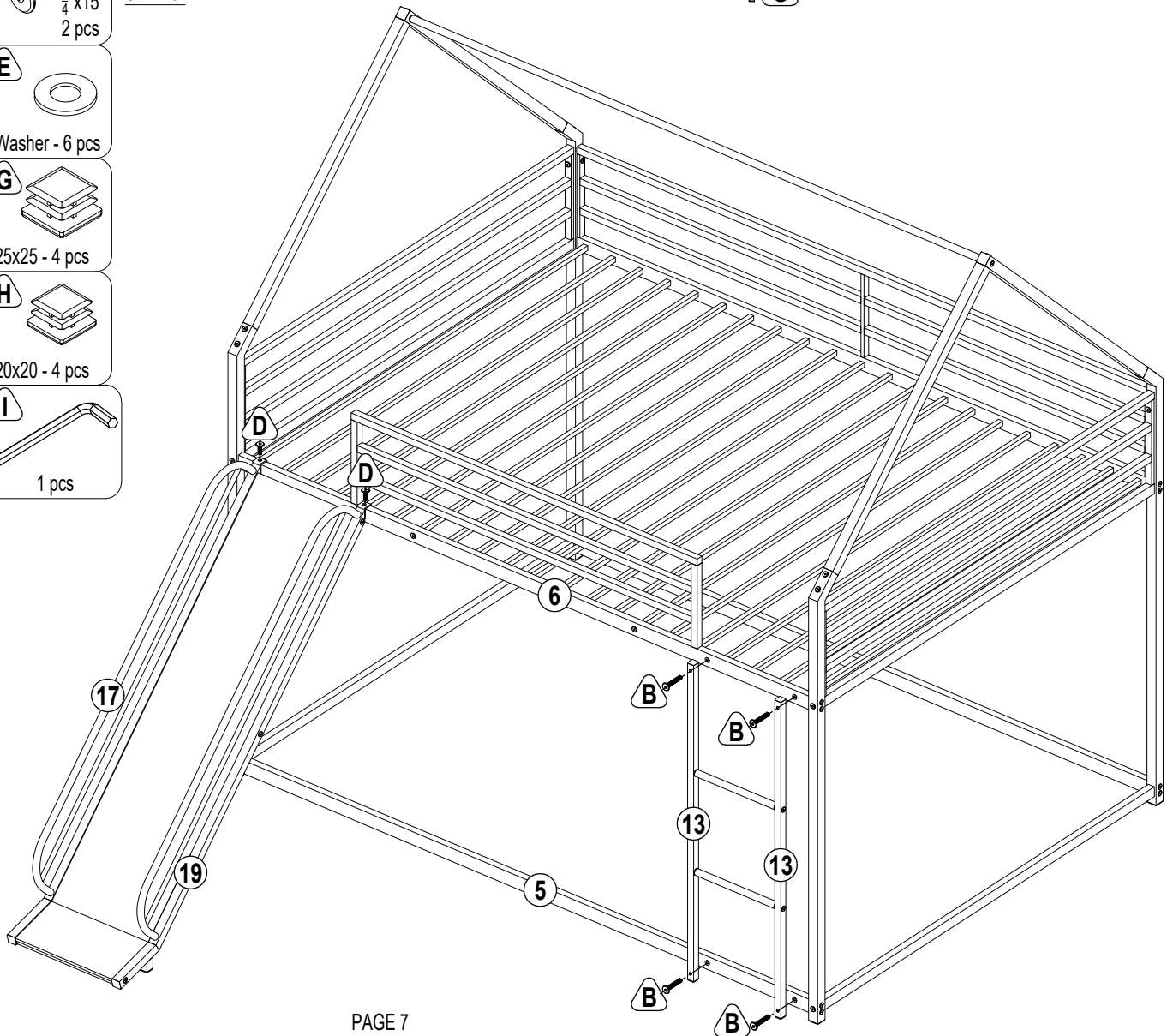


 <p>A 1/4"x50 18 pcs</p>	 <p>C 1/4"x25 2 pcs</p>	 <p>D 1/4"x15 4 pcs</p>	 <p>I 1 pcs</p>
---	---	---	---

STEP 8:



STEP 9:



STEP 10:

