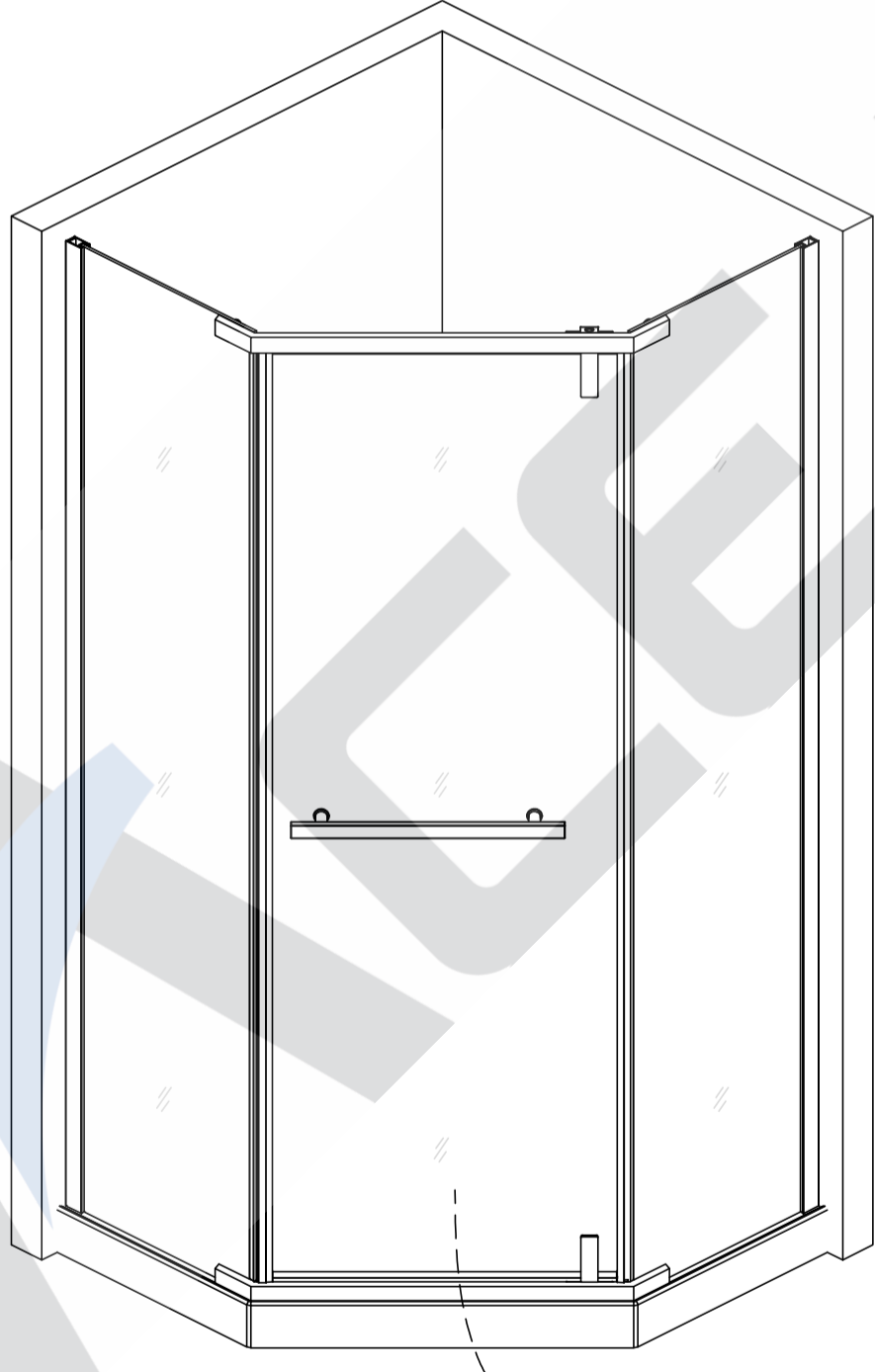


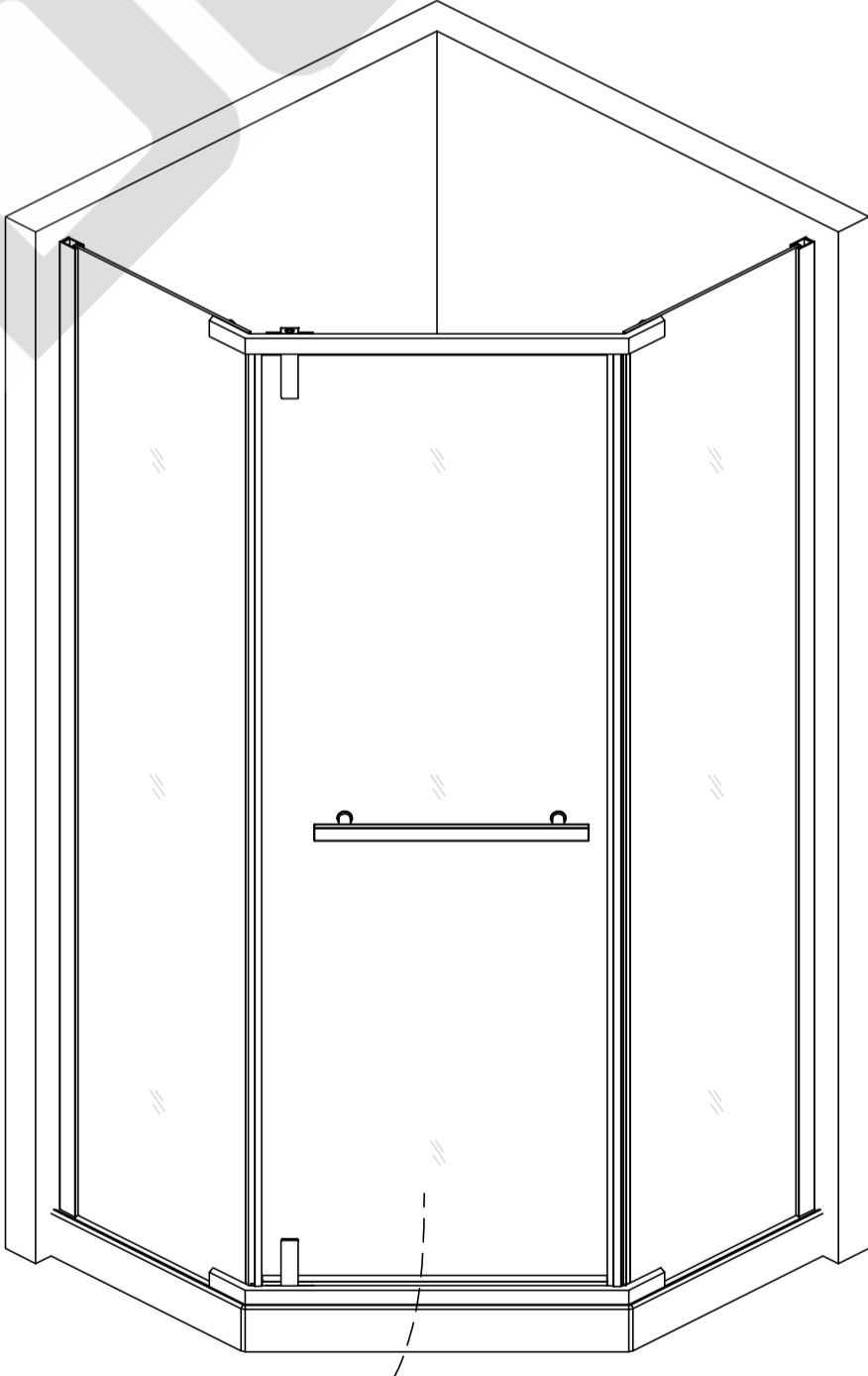
Shower Door
1/4" glass (6mm)

INSTALLATION GUIDE

MODEL:
1023672MB06C
1023672CH06C



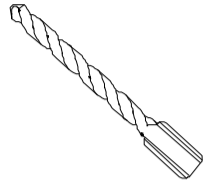
Right-hand door installation shown



Left-hand door installation shown

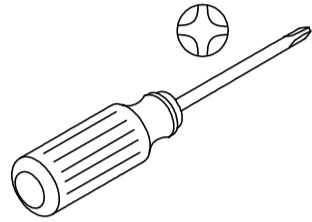
TOOLS REQUIRED

Drill Bits

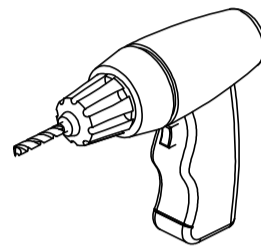


Ø1/4" (6mm) & Ø1/8" (3mm) dia.
HSS

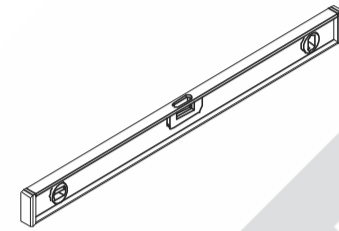
Screw Driver



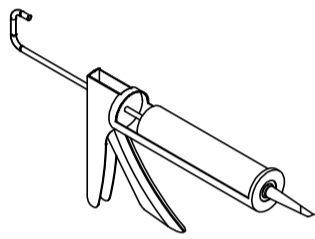
Drill



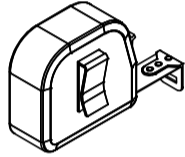
Level



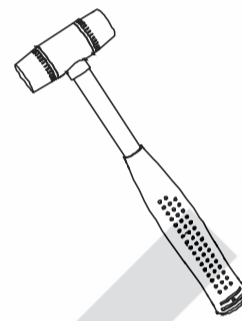
Silicone



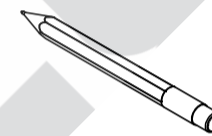
Measuring Tape



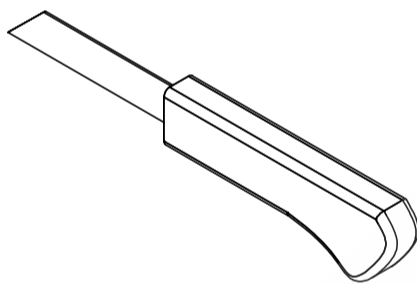
Soft Head Hammer



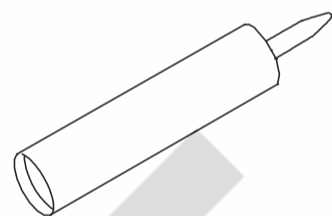
Pencil



Knife



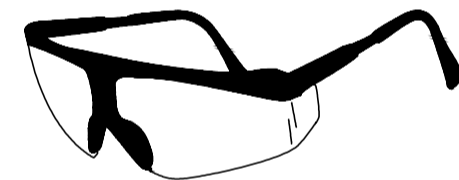
Sealant



MASONRY DRILL BIT FOR TILE Ø6mm



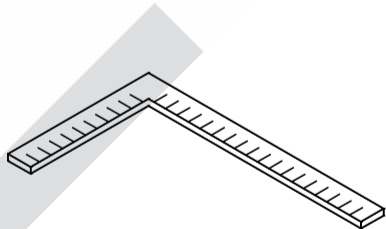
Safety Glasses



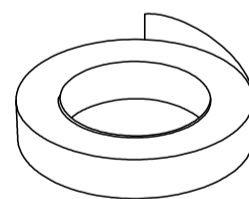
Glove



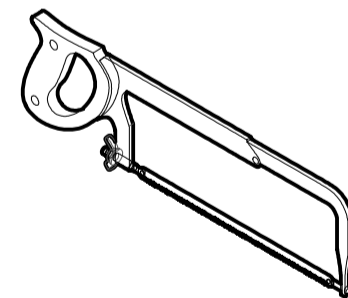
Carpenter's Squarer



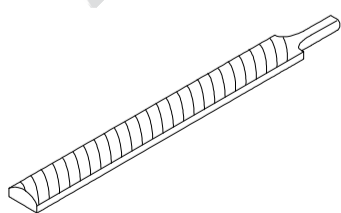
Masking or painter's tape



Hack Saw



Metal File



CAUTION: When cutting or drilling metal components or when handling glass, to reduce the risk of personal injury, protective eye wear, gloves, and closed-toe shoes are required.

SAFETY INFORMATION

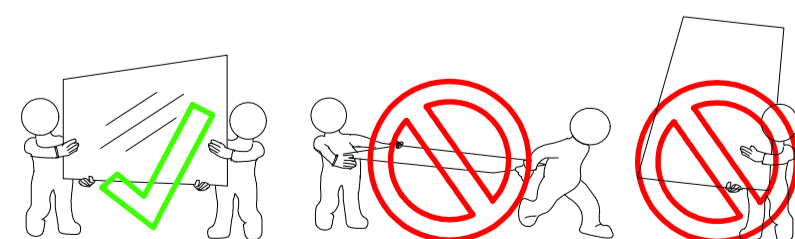
CAUTION

Please carefully read the following important safety information before handling or installing this shower. There is a risk of serious injury while handling this product.

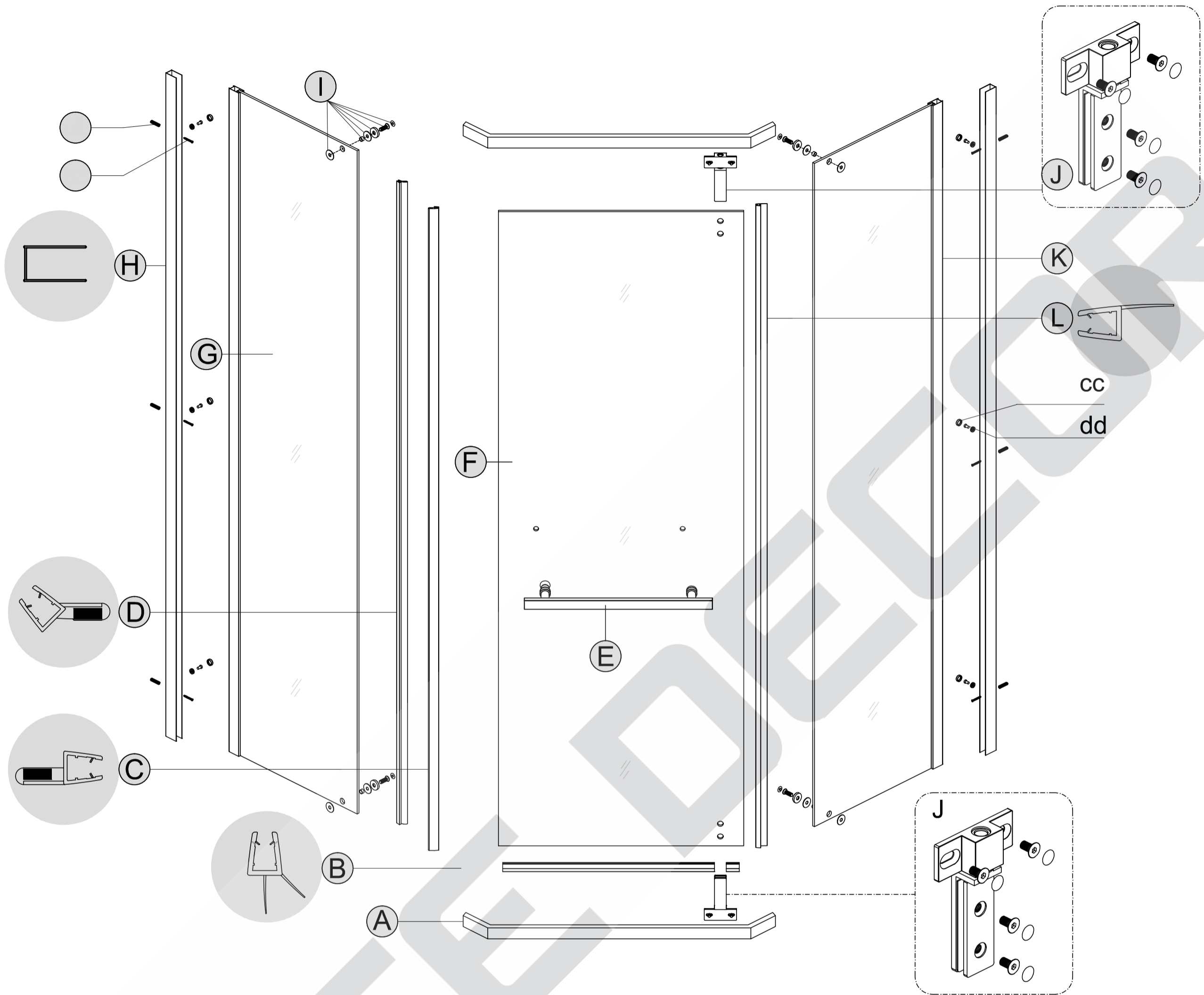
To minimize these risks, please note:

- Always wear safety glasses and gloves while handling.
- Always follow the installation instructions.
- Inspect glass for damage before installation.
- Extreme caution should be taken while handling the glass during installation as the tempered glass may shatter if in contact with a hard surface.
- Do not cut or modify the tempered glass as it will shatter if cut.
- Carefully remove product from packaging and keep packaging until installation is complete.
- Inspect all parts for damage or missing; if there is damage or part missing to the unit prior to installation, please contact customer service at the number provided in this guide.
- Cover the drain with tape to prevent the loss of small parts.
- The shower base and finished walls should be installed before beginning the shower door installation.
- During the installation, protect the shower floor with a drop cloth to avoid damage.
- This product should be installed by two people who are familiar with construction requirements. Professional installation is recommended!
- Keep this installation manual for future reference.

NOTE: Two people should perform this installation.



DOOR ASSEMBLY



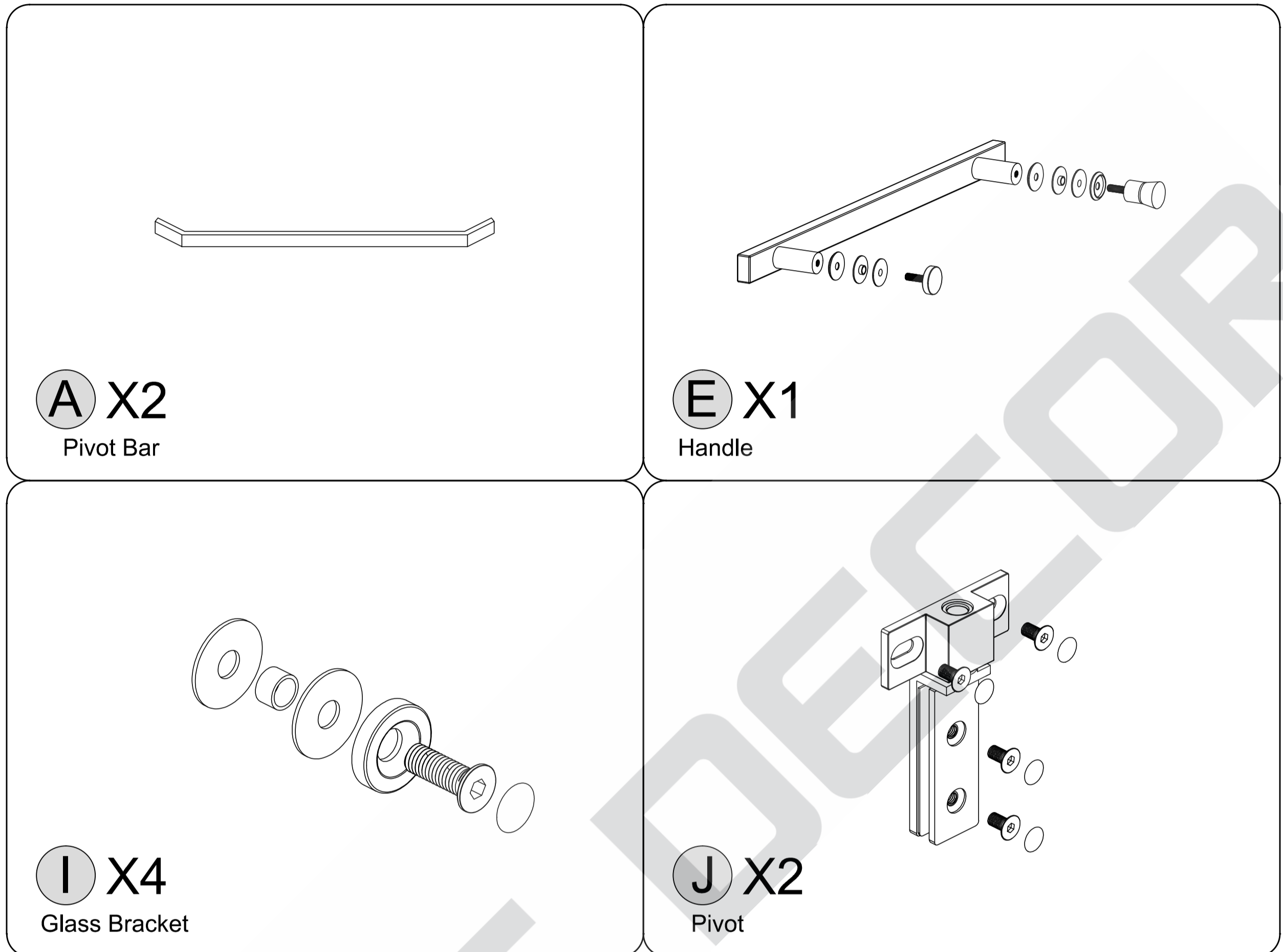
CARTON PARTS IDENTIFICATION

See following pages for detailed component diagrams

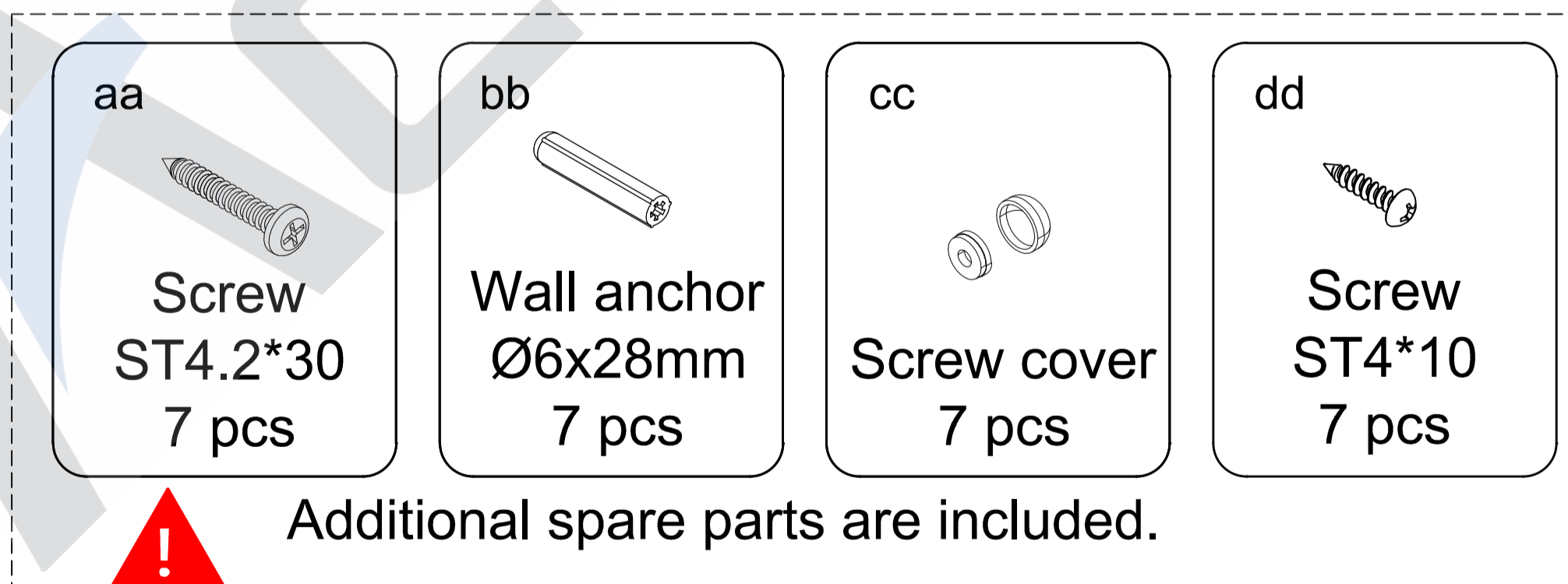
PART#	DESCRIPTION	QTY	PART#	DESCRIPTION	QTY
A	Pivot Bar	2	G	Stationary Glass-L	1
B	Bottom Anti-Water Strip	1	H	Wall Jamb	2
C	Magnetic Strip	1	I	Glass Bracket	4
D	Magnetic Strip	1	J	Pivot	2
E	Handle	1	K	Stationary Glass-R	1
F	Glass Door	1	L	Anti-Water Strip	1

CARTON PARTS IDENTIFICATION

See following pages for detailed component diagrams



HARDWARE CONTENT



**NOTE: Inspect all parts for missing prior to installation!
Contact us for any part missing.**

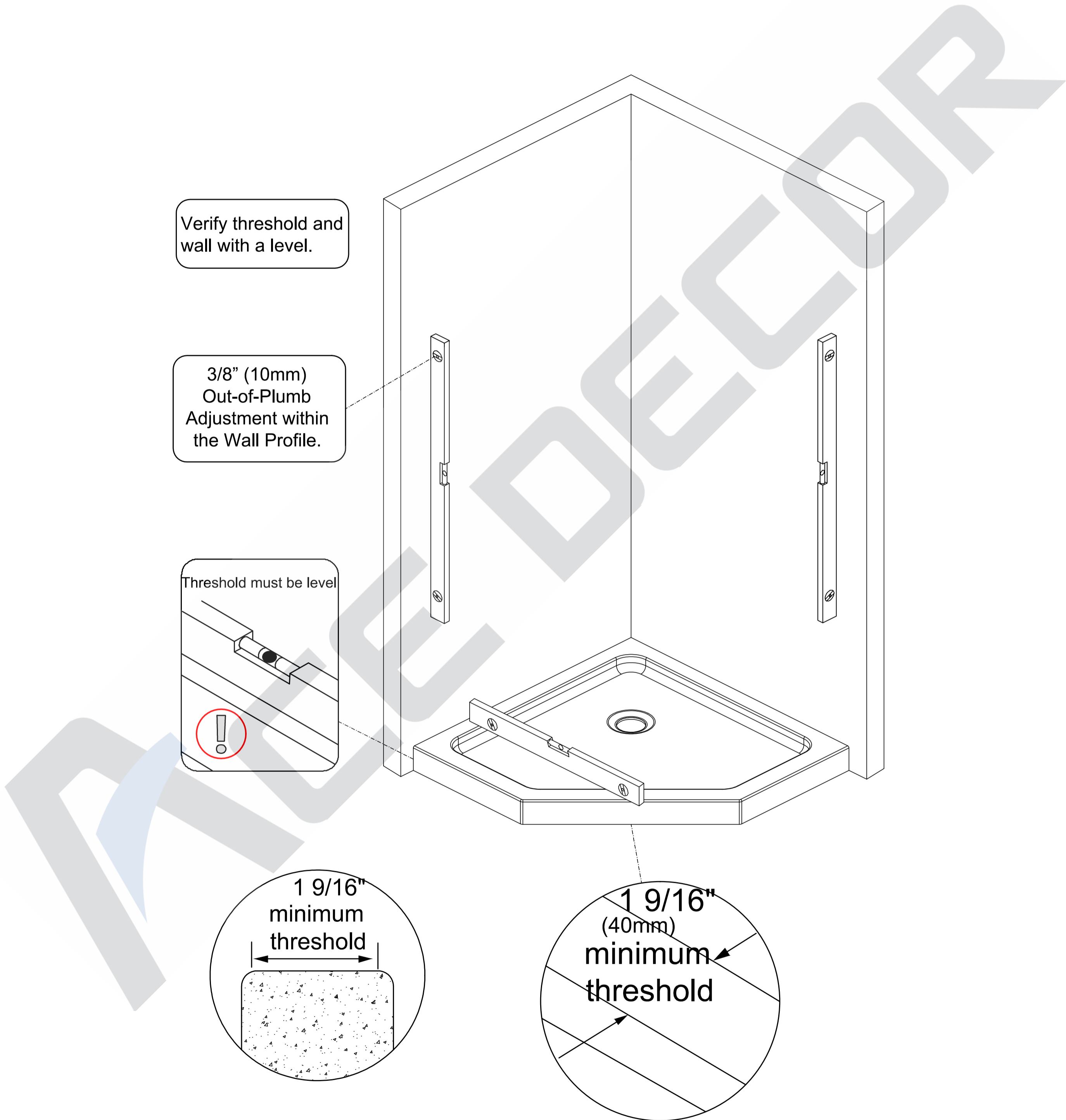


CAUTION: To avoid personal injury or property damage, identify components and read all instructions before installing.

NOTE: The installation of this shower enclosure requires two installers.

NOTE: The shower enclosure can be installed on the shower base or custom threshold.

Prior to the Shower door installation, Shower base installation and plumbing must be completed.



1 Wall Jamb(H) Installation

TABLE 1 - Enclosure assembly measurements

Measure from the finished corner to the inside edge of wall profile as shown:		
Model No.	W1	W2
1023672MB06C 1023672CH06C	33 5/8"~34 3/16"	33 5/8"~34 3/16"

NOTE

1. Mark the wall at the threshold according to the dimensions for the model size shown in Table 1.
2. Place the **Wall Jamb (H)** against the walls and aligned with the new reference marks on the threshold. Use a level to plumb each wall profile. (Table 1, Fig 1)

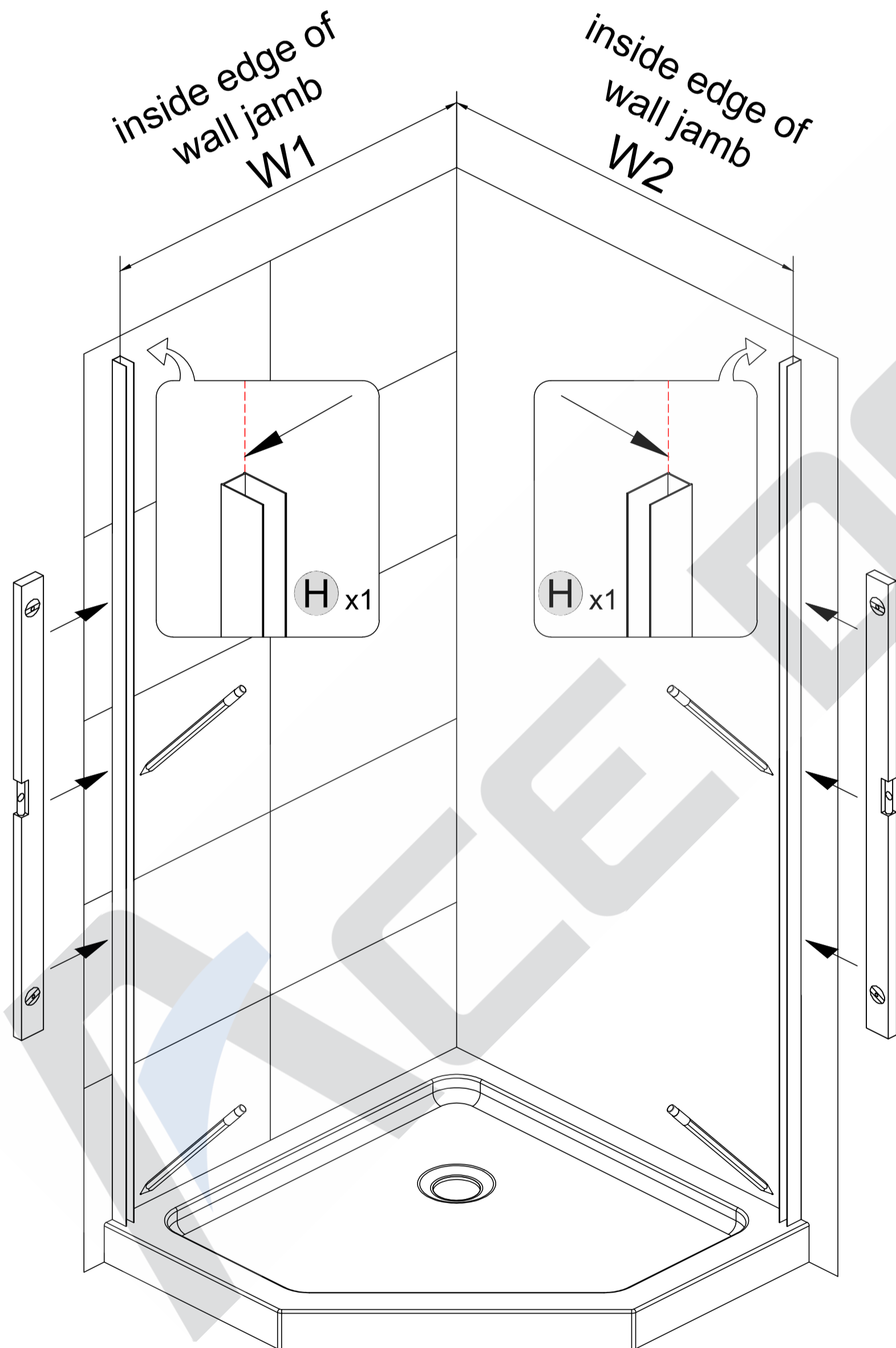


Fig 1

- NOTE:** This enclosure must be installed at the model size dimensions shown in Table 1. Be sure that the correct size shower enclosure has been ordered to fit the finished dimensions of the base or threshold that the enclosure will be installed on.
- NOTE:** The thickness of the finished wall treatment will effect where the enclosure will align upon the threshold.

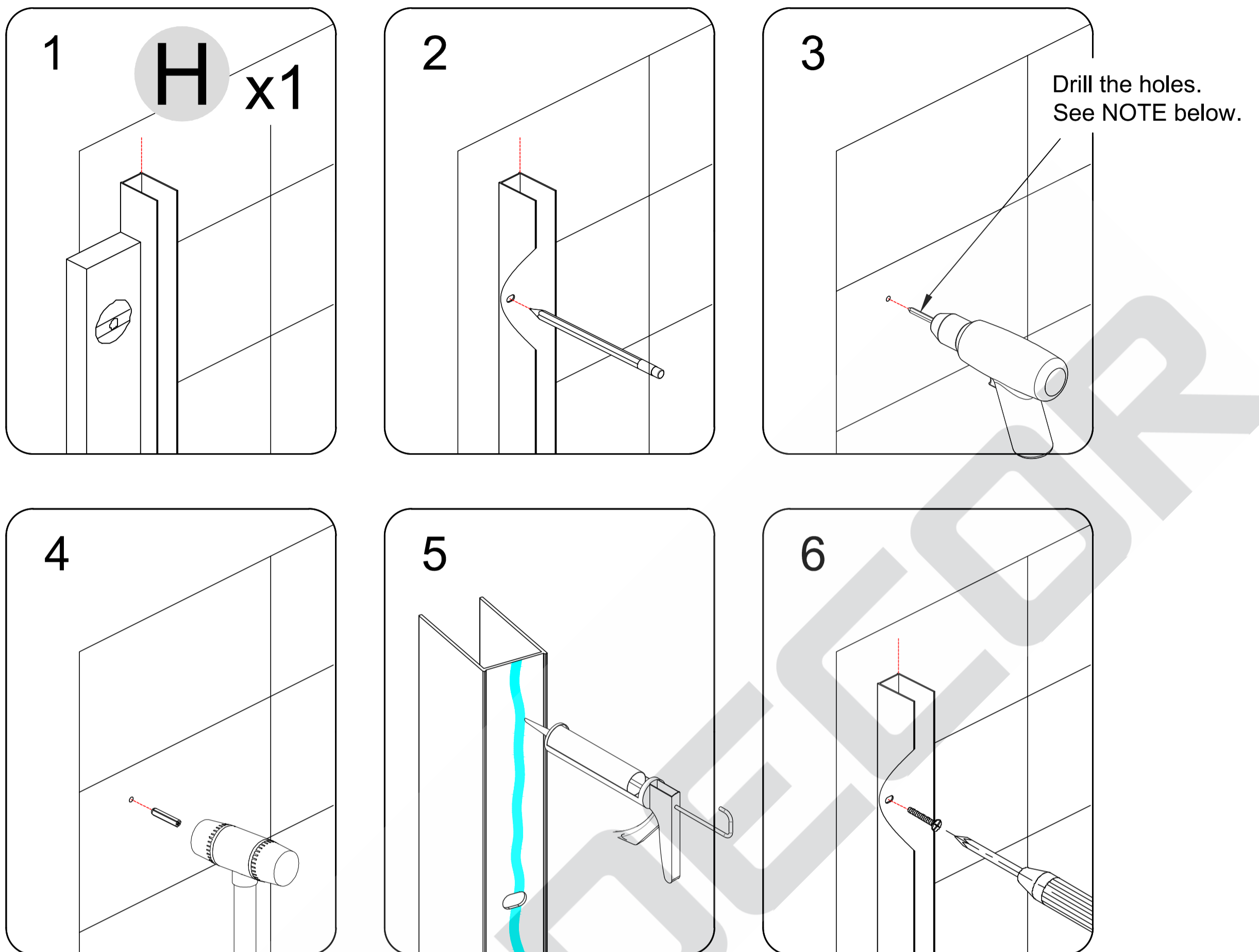


Fig 2

NOTE

1. Make sure each **Wall Jamb (H)** is plumb.(Fig 2.1)
2. Mark the holes for drilling on the wall through the predrilled holes in the **Wall Jamb (H)**.(Fig 2.2)
3. Drill the holes.(Fig 2.3,2.4)
4. Apply silicone into the groove along the entire length of the **Wall Jamb(H)**. (Fig 2.5)
5. Attach the **Wall Jamb (H)** to the wall using the **Screws ST4.2×30 (aa)**.(Fig 2.6)

NOTE

- If a Stud is presented behind the wall:
drill $\text{Ø}1/8''$ (3mm) pilot holes into the stud and use the ST4.0 x 30mm **Screws (aa)**
OR
- If No Stud is presented behind the wall:
drill $\text{Ø}1/4''$ (6mm) holes and insert the **Wall Anchors (bb)**
and use the ST4.0 x 30mm **Screws (aa)**.

2 Stationary Glass(G&K) Installation

NOTE

Insert each **Stationary Glass (G&K)** into the installed **Wall Jamb (H)** and check the panels for plumb. (Fig 3a and Fig 3b)

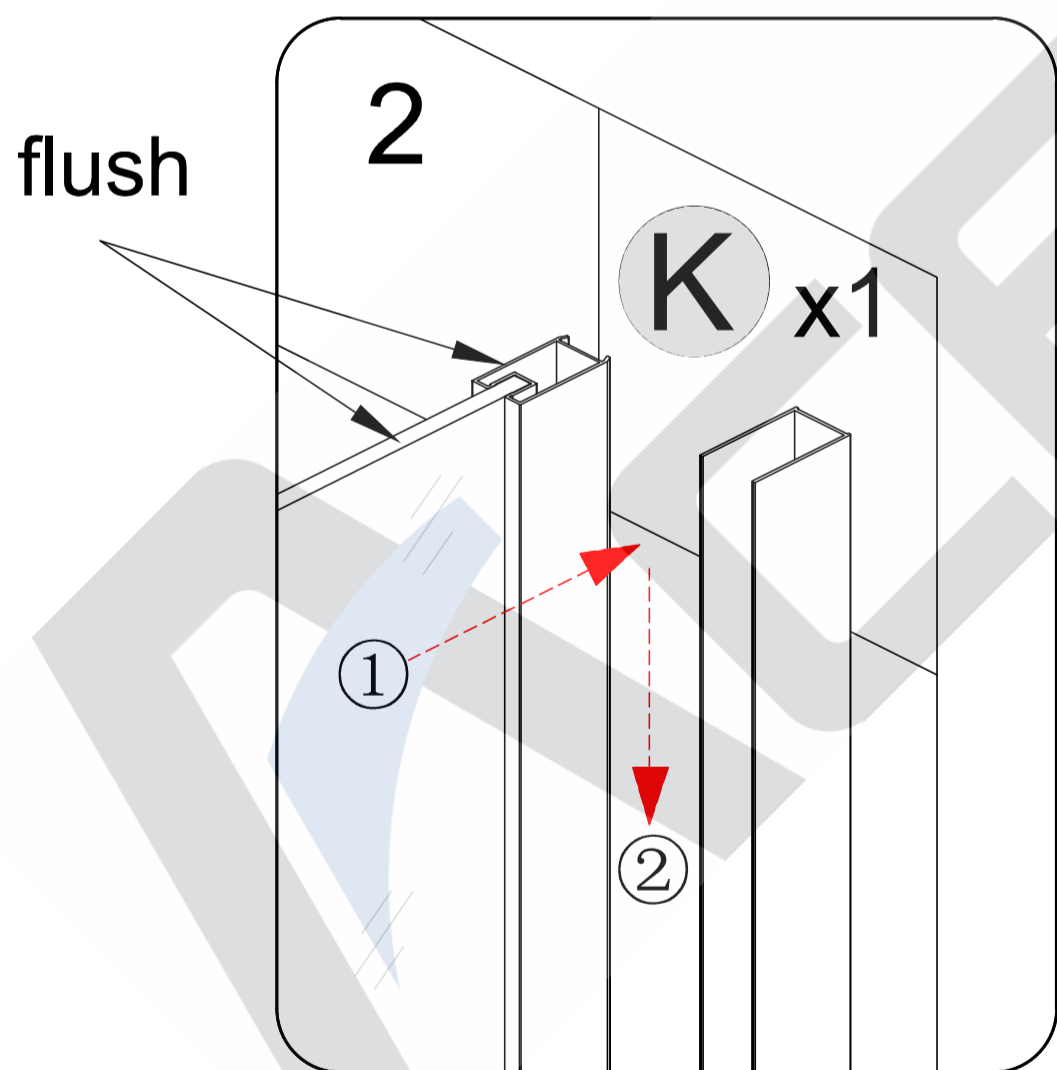
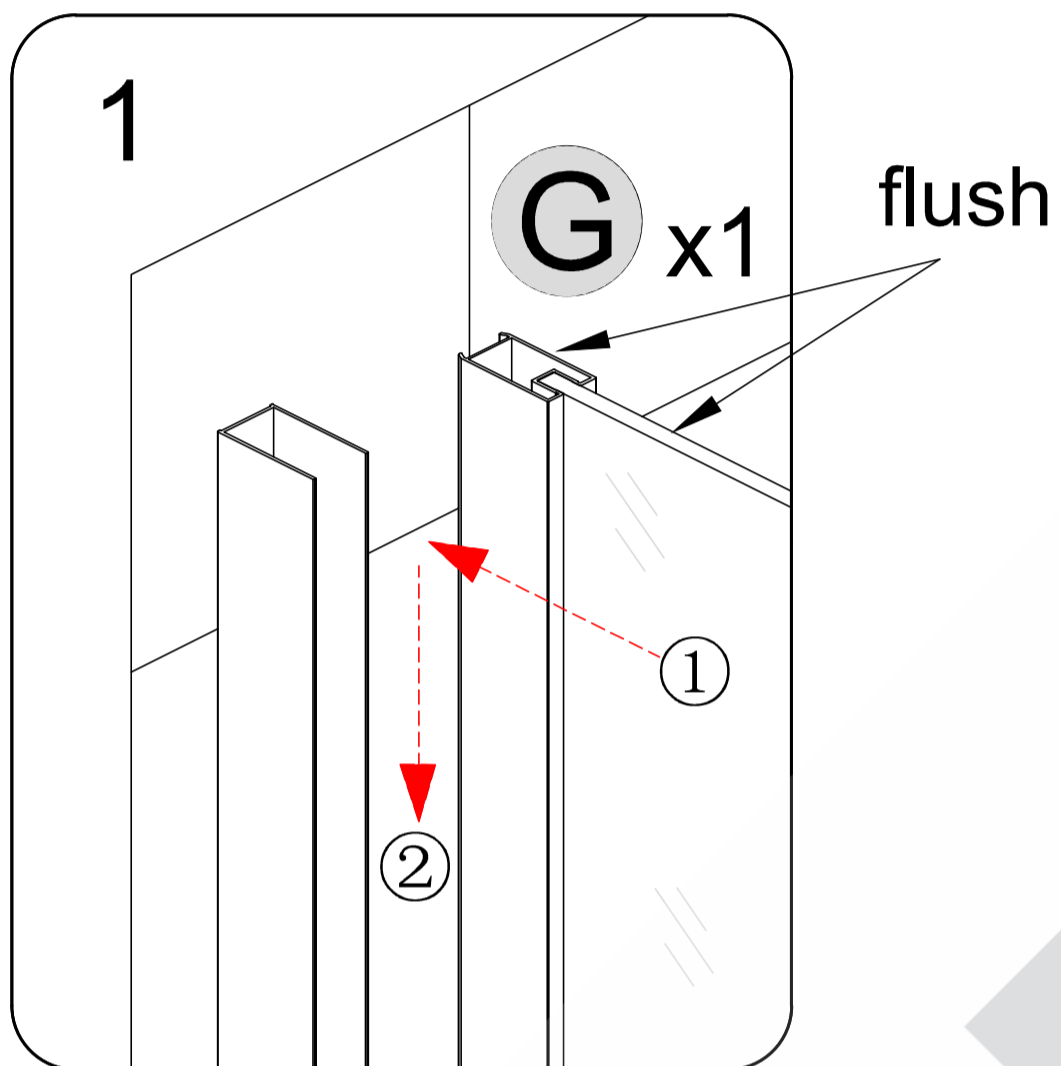


Fig 3a

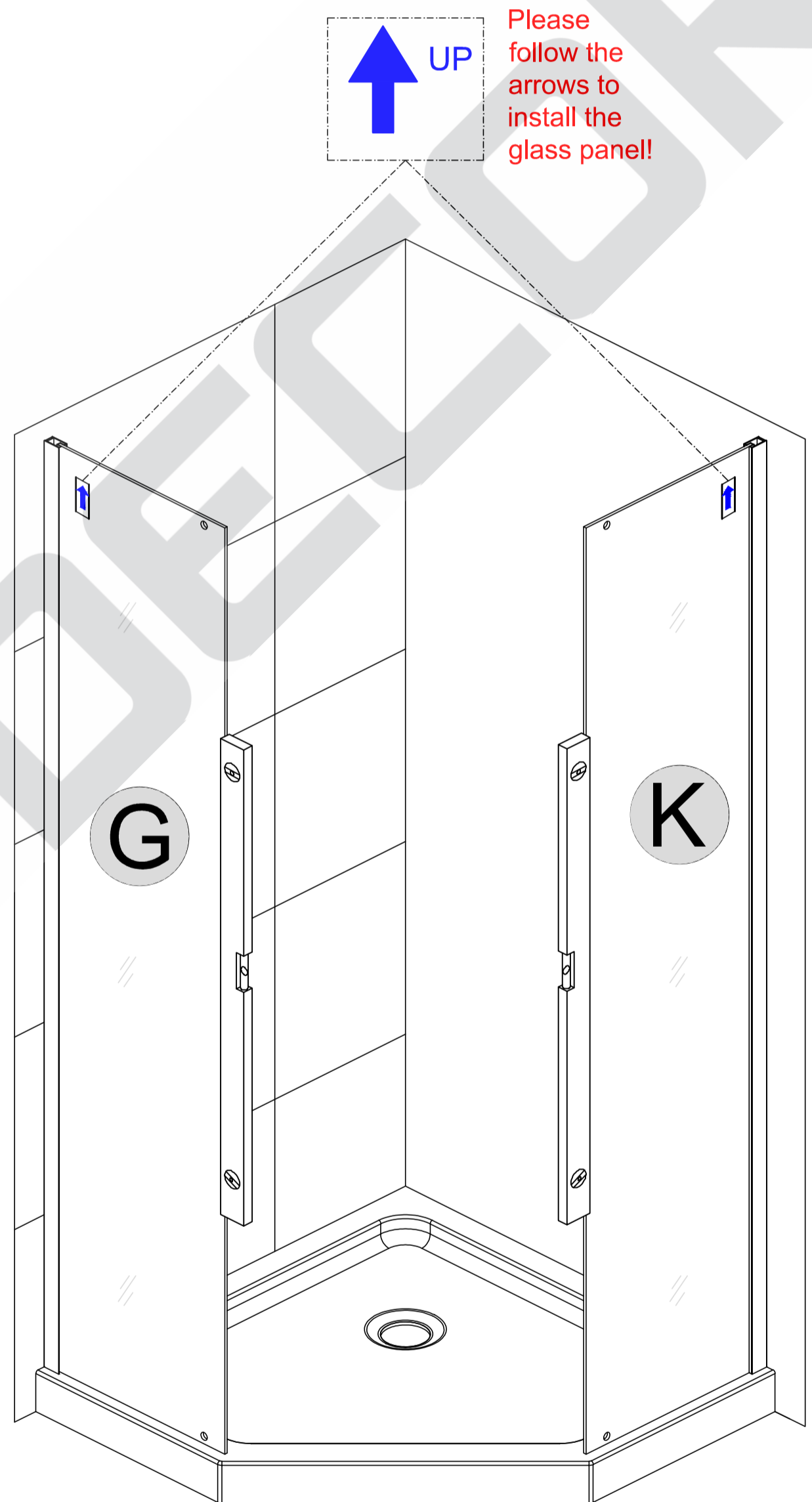


Fig 3b



NOTE: Glass and Aluminum are assembled in advance

3 Pivot Bar (A) Installation

Examine the **Pivot Bar (A)** and notice that there are holes for the top and bottom pivot assemblies on one end. (Fig 4b)

NOTE

Attach the top and bottom **Pivot Bar (A)** (with the pivot holes on the correct side for the swing of the door) through the holes in the **Stationary Glass (G&K)**. Put the clear Vinyl Gaskets of **Glass Bracket (I)** between the Pivot Bars and the **Stationary Glass (G&K)** to prevent glass-to-metal contact. Use the Hex Socket Bolts M6×12 and Decorative Washer of **Glass Bracket (I)** to attach the **Pivot Bar (A)** to the **Stationary Glass Assembly (G&K)**. (Fig 4a)

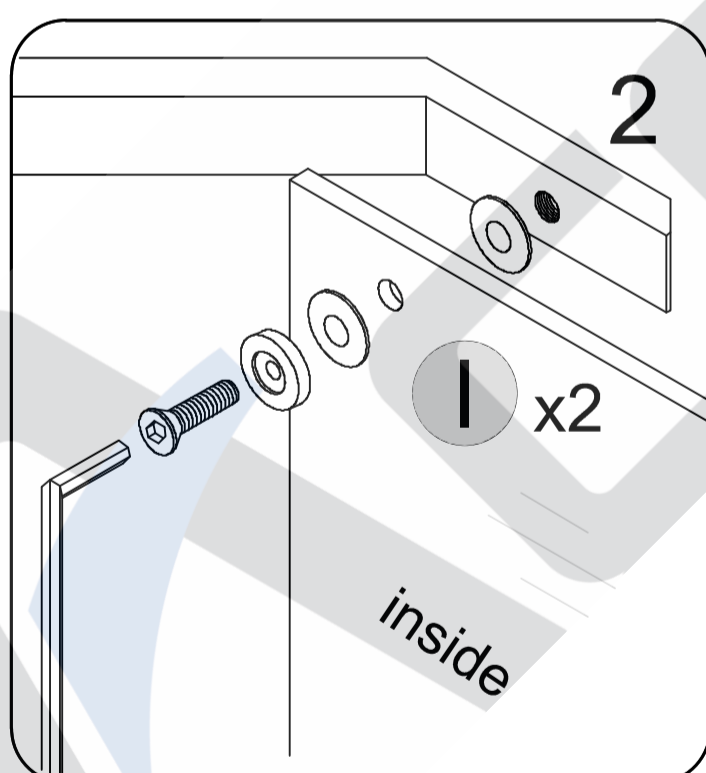
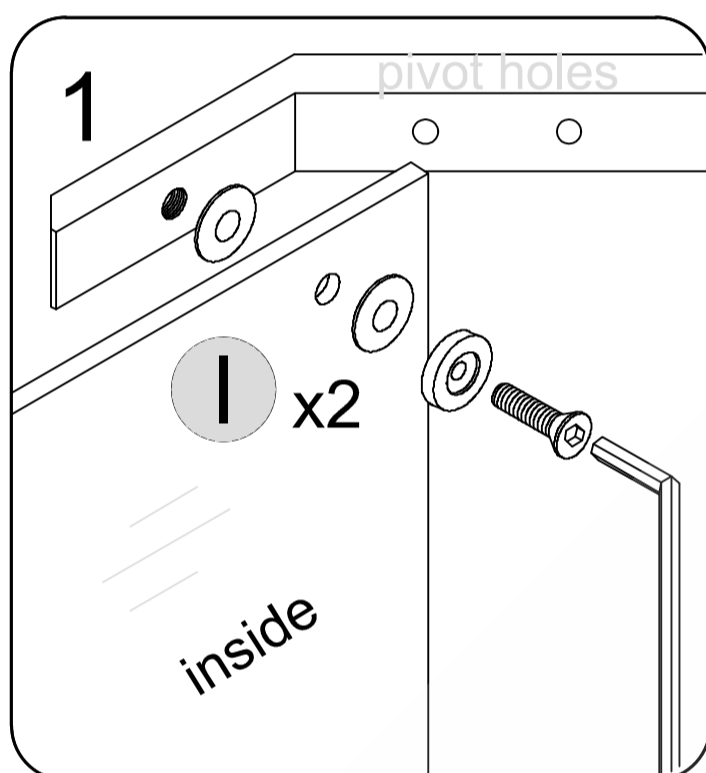


Fig 4a



Be sure to install both of the **Pivot Bars (A)** with the pivot holes on the correct side for the desired swing of the door.

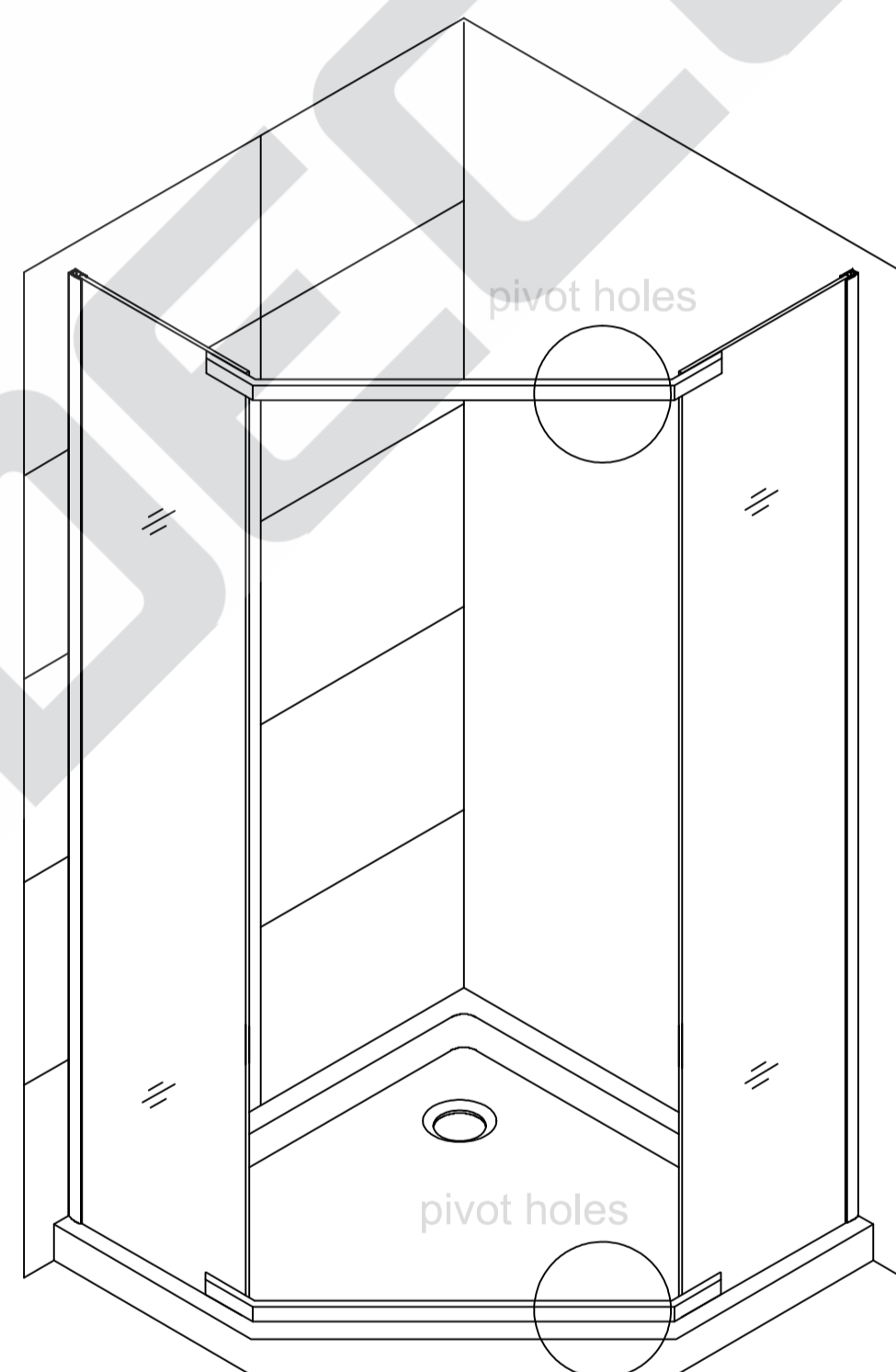


Fig 4b

Right-hand door installation shown

NOTE

Tip: For a Left-hand door installation, install both pivot bars with the holes in the opposite direction.

4 Pivot(J) Installation

NOTE Attach both **Pivot(J)** to the **Pivot Bar(A)** and install the **Glass Door(F)** to the **Pivot(J)**

1. Attach the top and bottom **Pivot (J)** to the **Pivot Bar (A)** using the Hex Socket Bolts M8×12. (Fig 5.1)

NOTE

2. Remove the bolts and plates from the **Pivot (J)**. Set the **Glass Door (F)** into the pivots so that the holes are aligned. Make sure the vinyl gaskets are in place between the glass and the metal plates. (Fig 5.2)

3. Firmly secure the back plate with the provided bolt. (Fig 6.3)

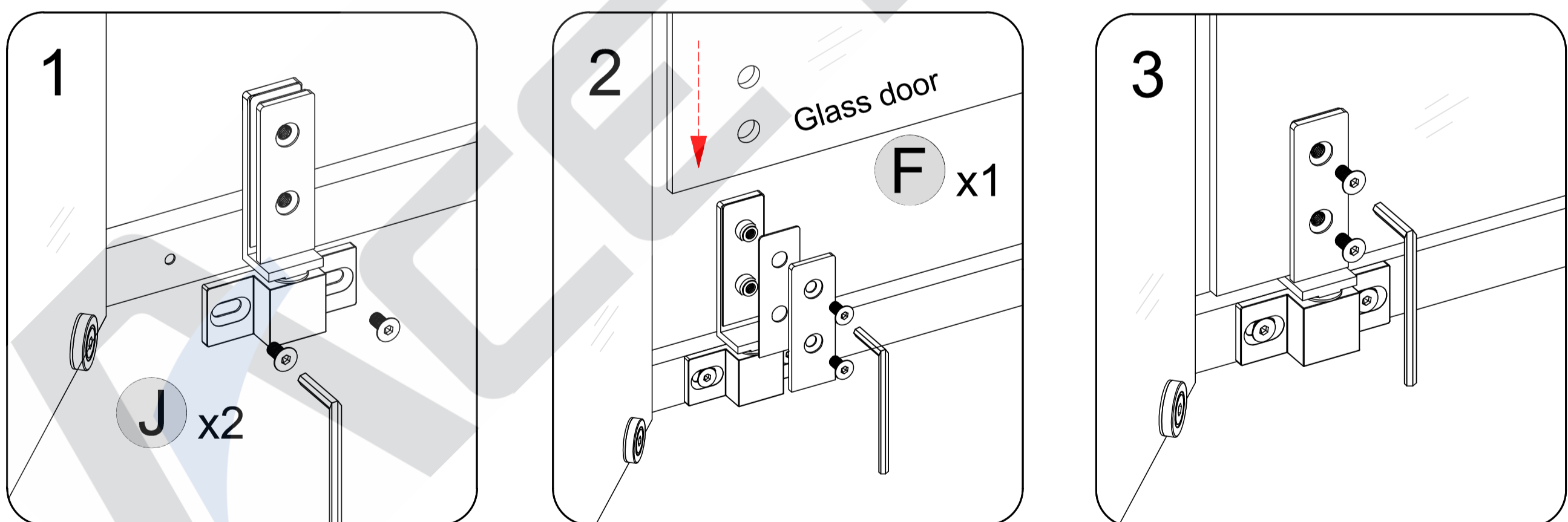


Fig 5

Right-hand door
installation shown

5 Secure Stationary Glass (G&K)

NOTE

1. Make final adjustment by the adjustable wall profile so that the door opening is square. (Fig 6.1 & 6.2)
2. Drill through the predrilled holes in the **Wall Jamb (H)** into the first layer of the Glass Profiles using an $\text{Ø}1/8''$ drill bit. (Fig 6.3)
3. Use the **Screws ST4.2×10 (dd)** and washers to secure the **Stationary Glass(G&K)** inside the **Wall Jamb (H)**. (Fig 6.3&6.4)
4. Cover the screws with the **Screw Cover (cc)**. (Fig 6.5)

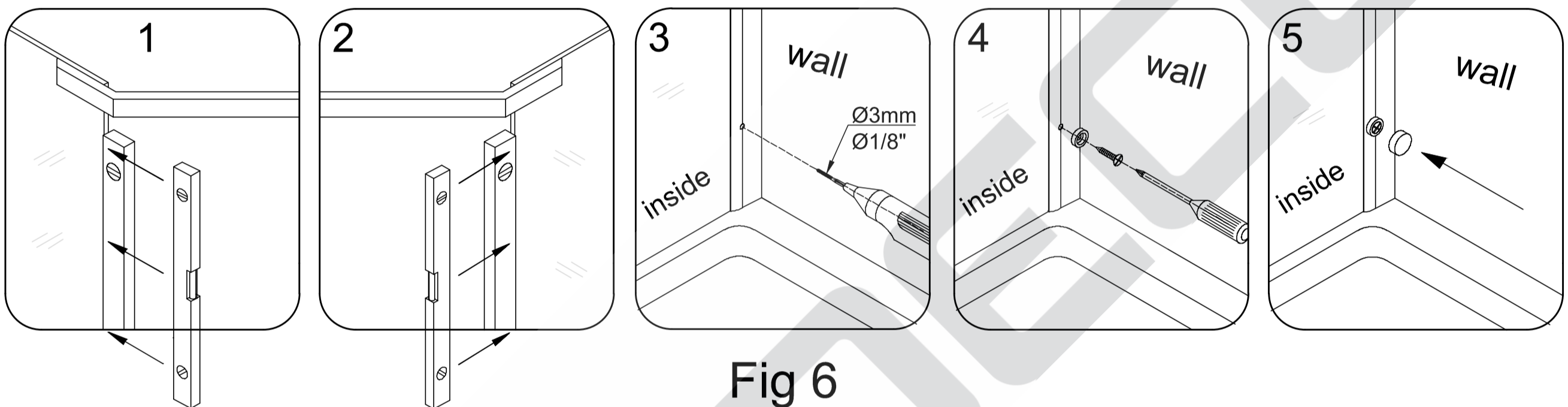
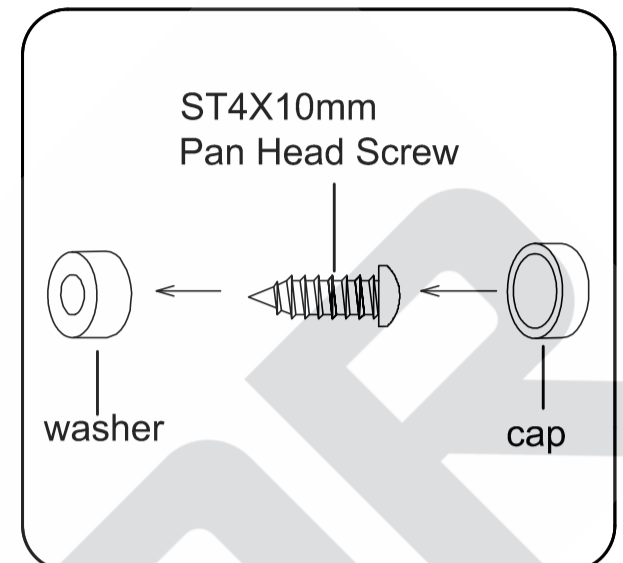


Fig 6

6 Handle(E) Installation

NOTE

Install the **Handle (E)** onto the outside of the **Door Glass (F)**. (Fig 7) (put the knob on the magnetic strike side of the door)

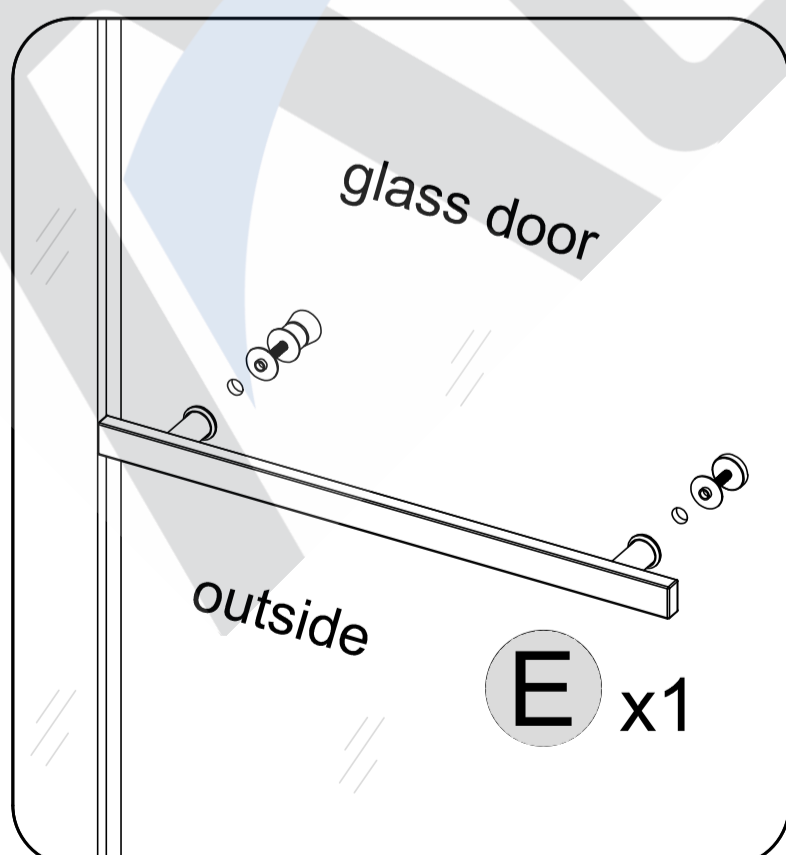
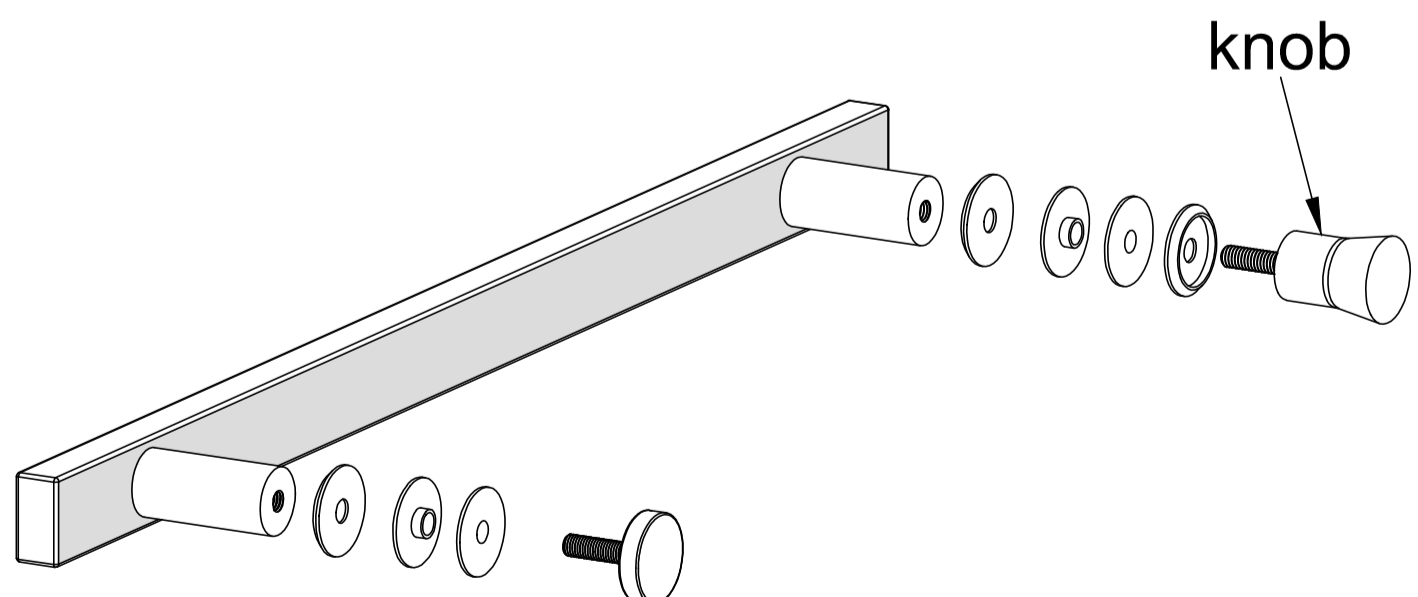
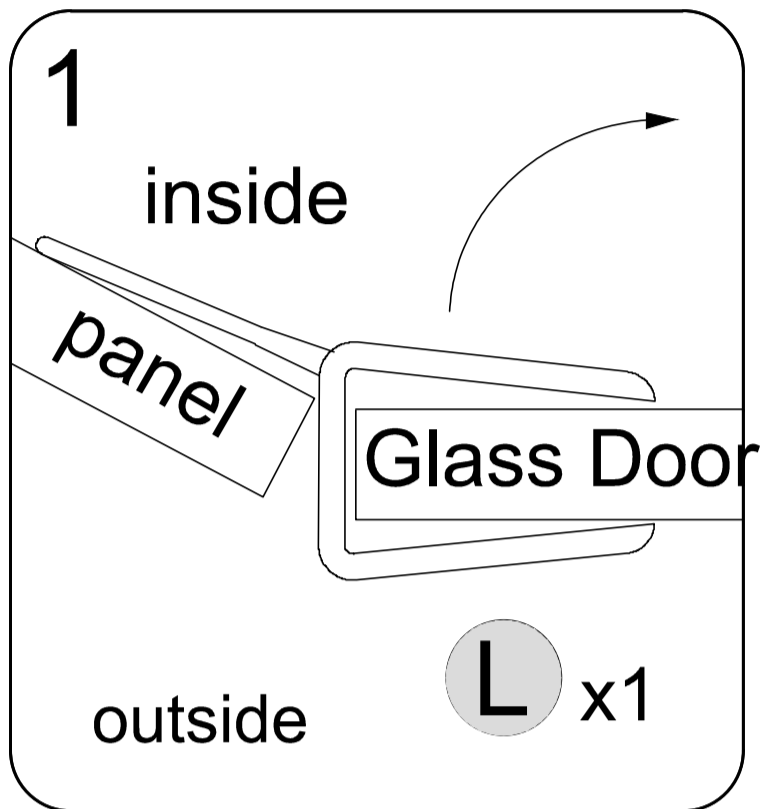


Fig 7



7 Strip Installation

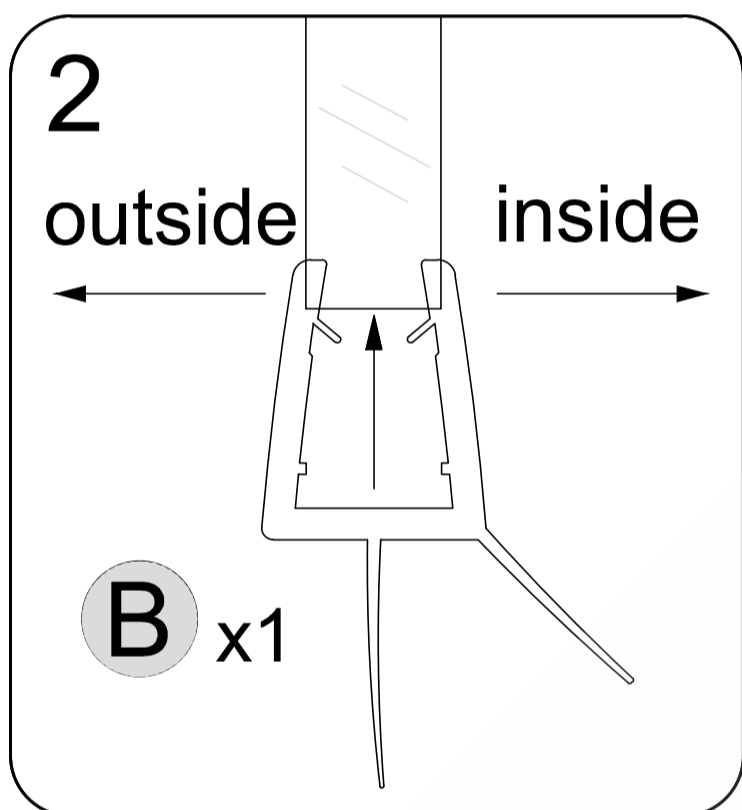
NOTE



1. Push the **Anti-water Strip (L)** onto the pivot edge of the **Glass Door(F)** with the soft fin on the inside of the shower so that it overlaps the Panel Glass when the door is closed. (Fig 8.1)

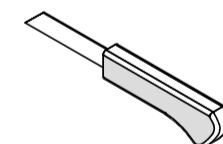
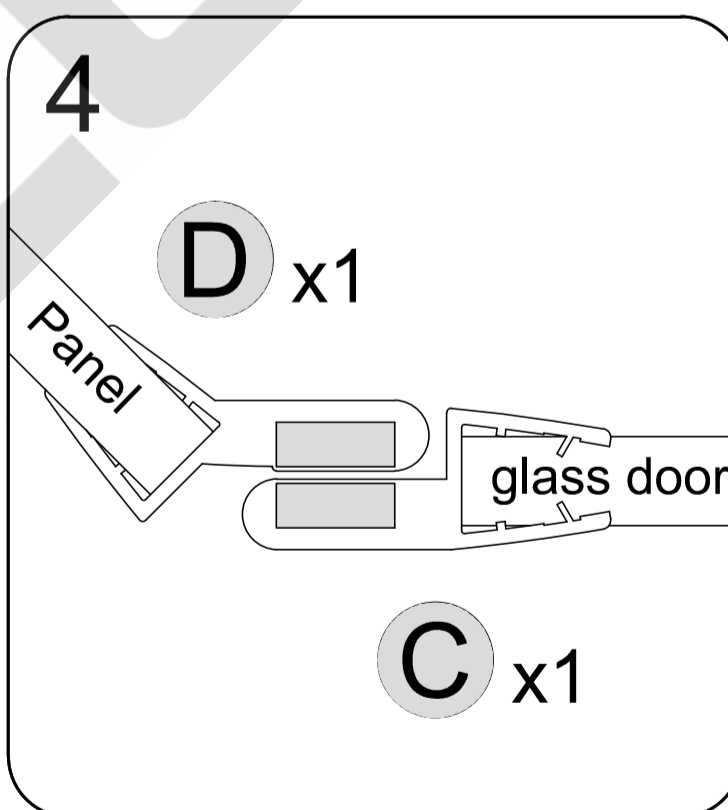
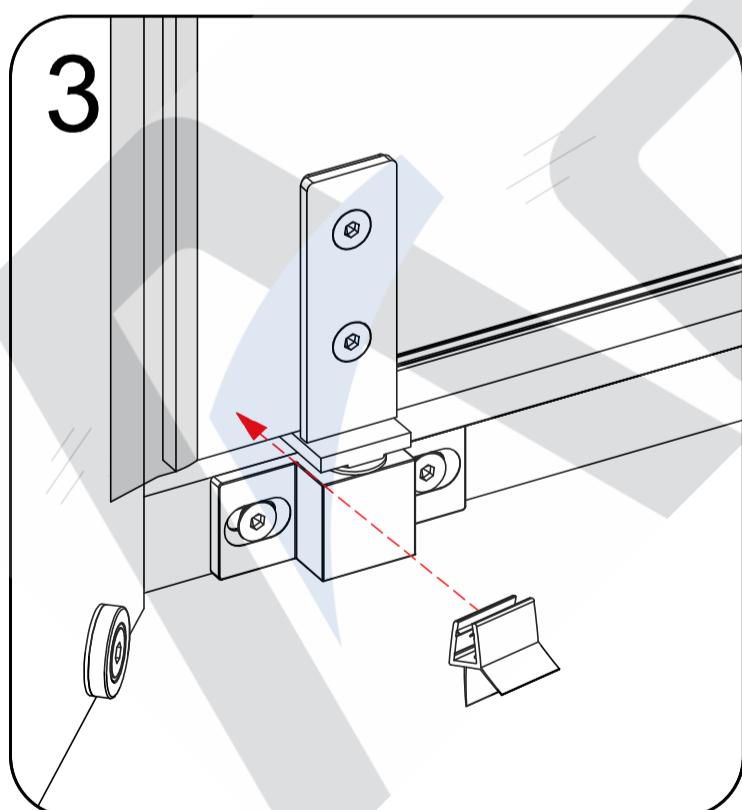
Note: The fin on the **Bottom Anti-Water Strip (B)** should be installed toward the inside of the shower.(Fig 8.2)

2. Cut the **Bottom Anti-Water Strip (B)** to fit from the bottom pivot to the strike edge of the **Door Glass (F)**. (the mitered end of the **Bottom Anti-water Strip(B)** goes on the strike side of the door). Firmly push the **Bottom Anti-Water Strip (B)** onto the bottom edge of the **Glass Door Glass (F)**.



3. Trim a piece from the cut-off of the **Bottom Anti-Water Strip (B)** to fit onto the opposite side of the bottom pivot and attach it to the bottom of the **Door Glass (F)**. (Fig 8.3)

4. Push the **Magnetic Strip (C)** onto the strike edge of the **Glass Door(F)**. Attach the **Magnetic strip (D)** to the strike edge of the **Stationary Glass (G)**. When correctly installed, the Magnetic Strip will form an outside 180-degree angle. Adjust as necessary to get a tight seal. (Fig 8.4)



NOTE: Trim off the excess **Bottom Anti-Water Strip (B)** and attach a piece onto the opposite side of the Bottom Pivot. (Fig 8.3)

Fig 8

Left-hand door installation shown

8 SEALING

NOTE The surfaces need to be clean and free of debris before applying silicone.

NOTE Ensure that the Shower door closes tightly and opens smoothly.
Apply a good quality silicone sealant along the Wall Jamb (H) and Bottom Pivot Bar (A) .

! Allow 24 hours for the silicone to cure before using the shower.



! Apply Silicone Sealant, (not supplied).

