










Assembly Instructions

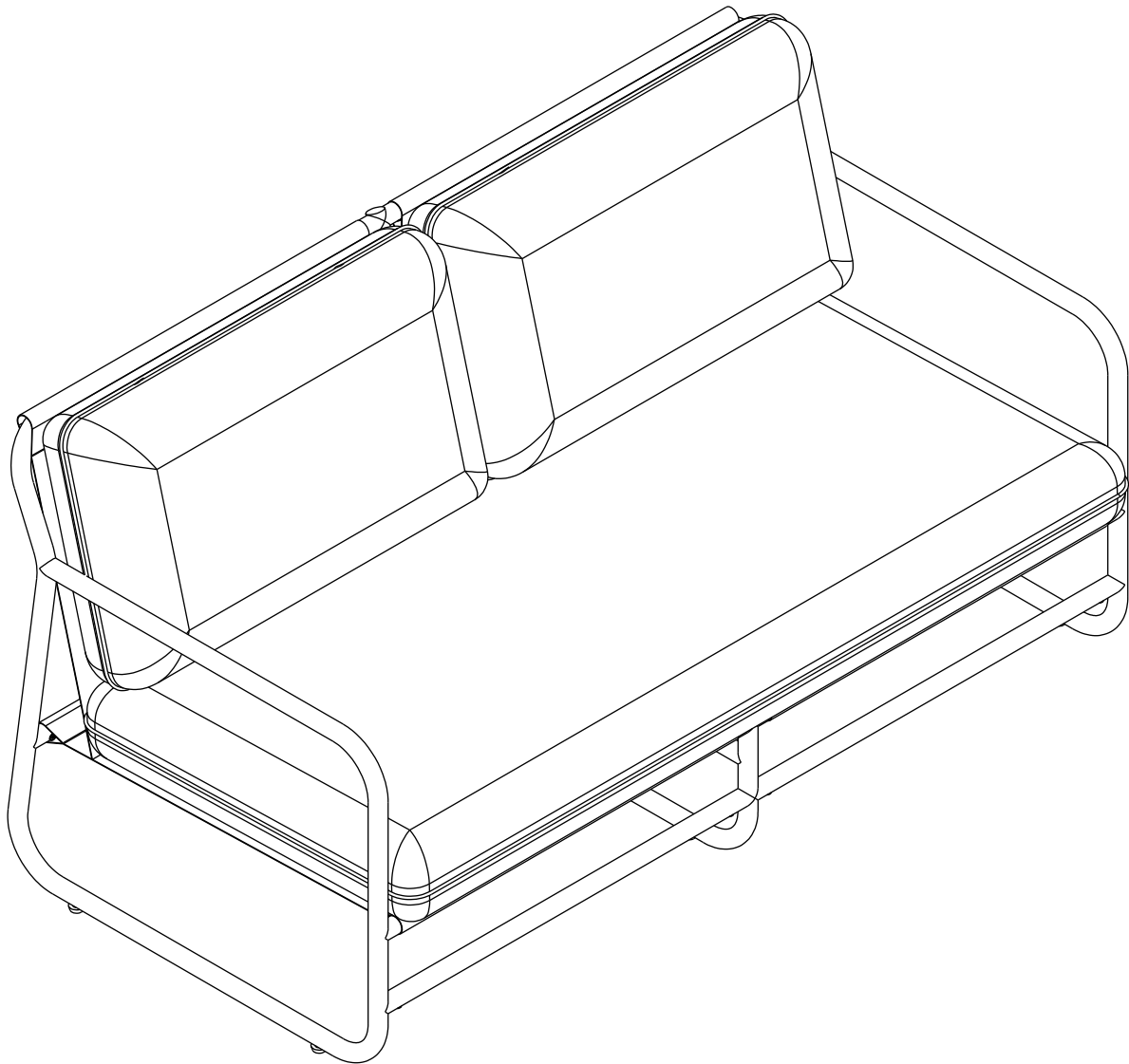
CAUTION: You must read these Assembly Instructions before you proceed.

Care & Maintenance

-  Do not put hot items directly on furniture surface.
-  Do not clean furniture with harsh cleansers or polish.
-  To obtain the longest lifespan of your outdoor products, minimizing exposure to direct sunlight is recommended.
-  Children should not climb or jump on the furniture.
-  Do not write on furniture without a padded barrier to protect the surface.
-  To obtain the longest lifespan of your outdoor products, avoid extended and lengthy exposure to rain, snow, and direct sunshine. Whenever possible cover the product and /or place under patio or awnings.
-  Not for commercial use. For residential use only.
-  Stains may be removed with mild soap solution and damp cloth.
-  Dust and pick-up spills using a clean, non-colored, lint-free cloth.

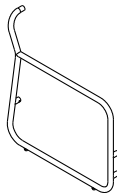
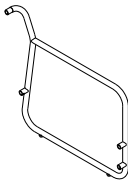
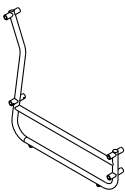


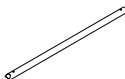
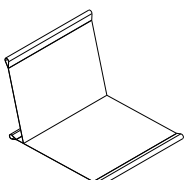
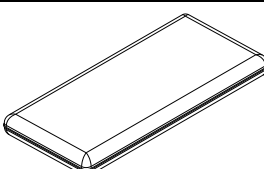
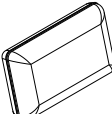
Please look the Rail for hardware packs.

BENCH 2 SEATER

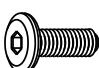



Caution: This Bench 2 seater is NOT a TOY
Keep your child/children at bay during the assembly process.
Whenever moving/lifting the Bench 2 seater and to prevent damage to it, two adults are needed to execute these actions.

Part List

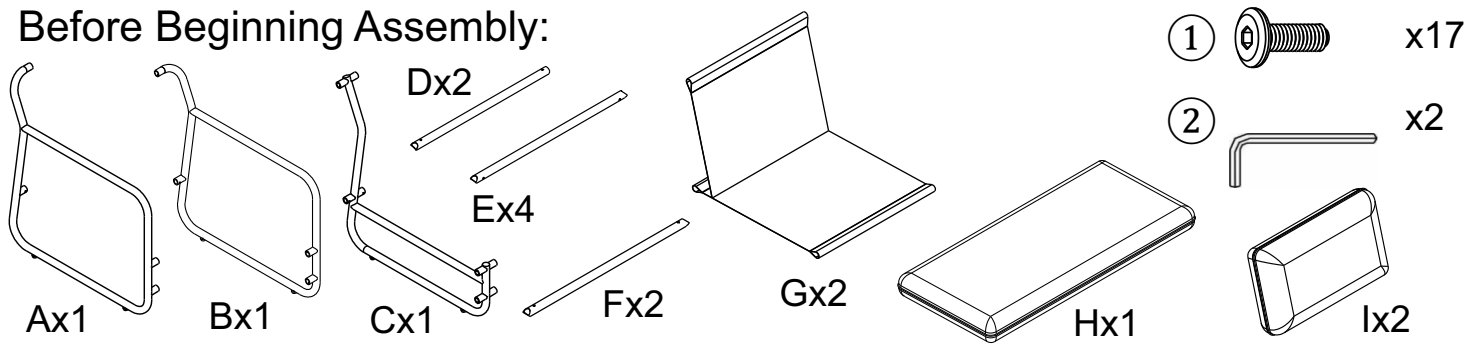
Label	Picture	Description	QTY
A		Left Leg Panel	1
B		Right Leg Panel	1
C		Center Leg Panel	1
D		Back rail	2
E		Rail	4
F		Under rail	2
G		Textilen fabric	2
H		Seat Cushion	1
I		Back Cushion	2

Hardware

Label	Picture	Description	QTY
①		Bolt (M6x15mm)	17
②		Allen Wrench	2

Assembly Preparation

Before Beginning Assembly:



● Read instructions, cover to cover.



● Have 2 adults on hand for assembly.



● Do not assemble on flooring or carpet.



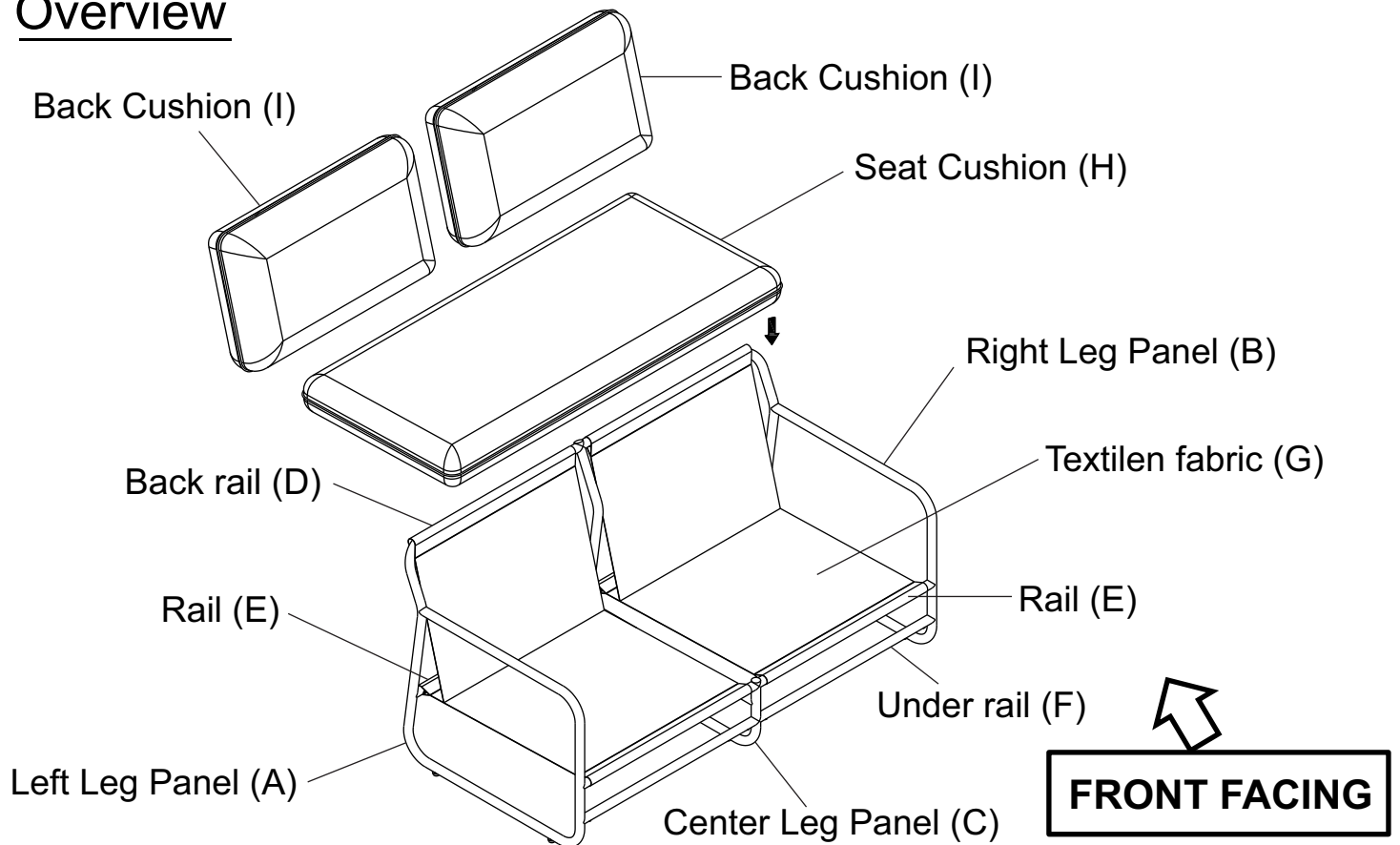
● Assemble on a clean non-marring surface (packing foam).



● Save all packaging until finished.

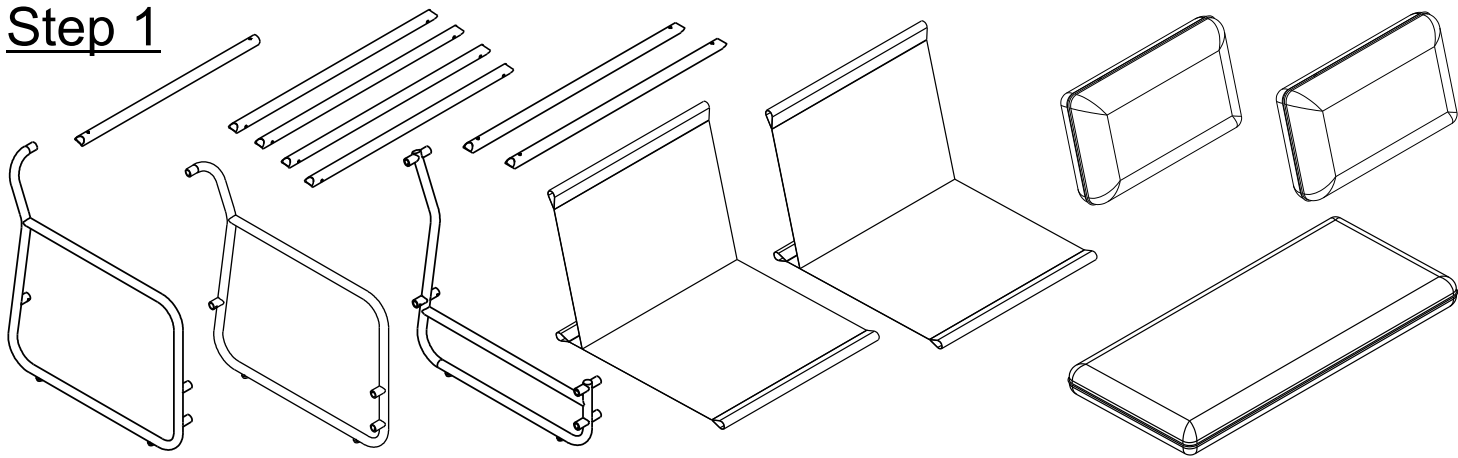
Assembly Steps

Overview



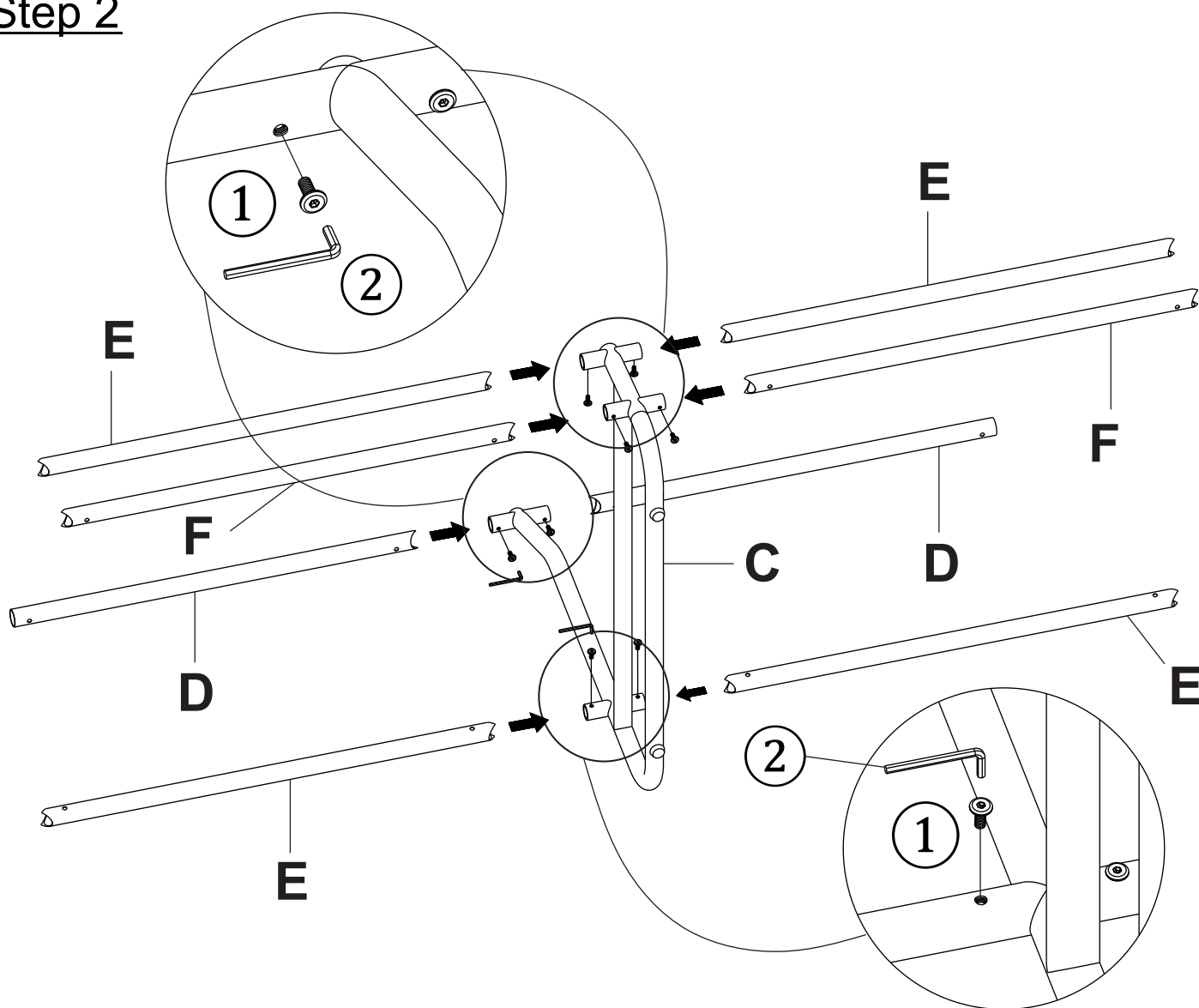
This Bench 2 seater has multiple parts and may require up to 50 minutes to assemble. To give you an overview of the Bench 2 seater parts, the above picture is to help you put the various parts into perspective. Please read through the instructions below to familiarise yourself with the parts and steps before assembly.

Step 1



Unpack and place all parts on a clean, non-marring surface.

Step 2



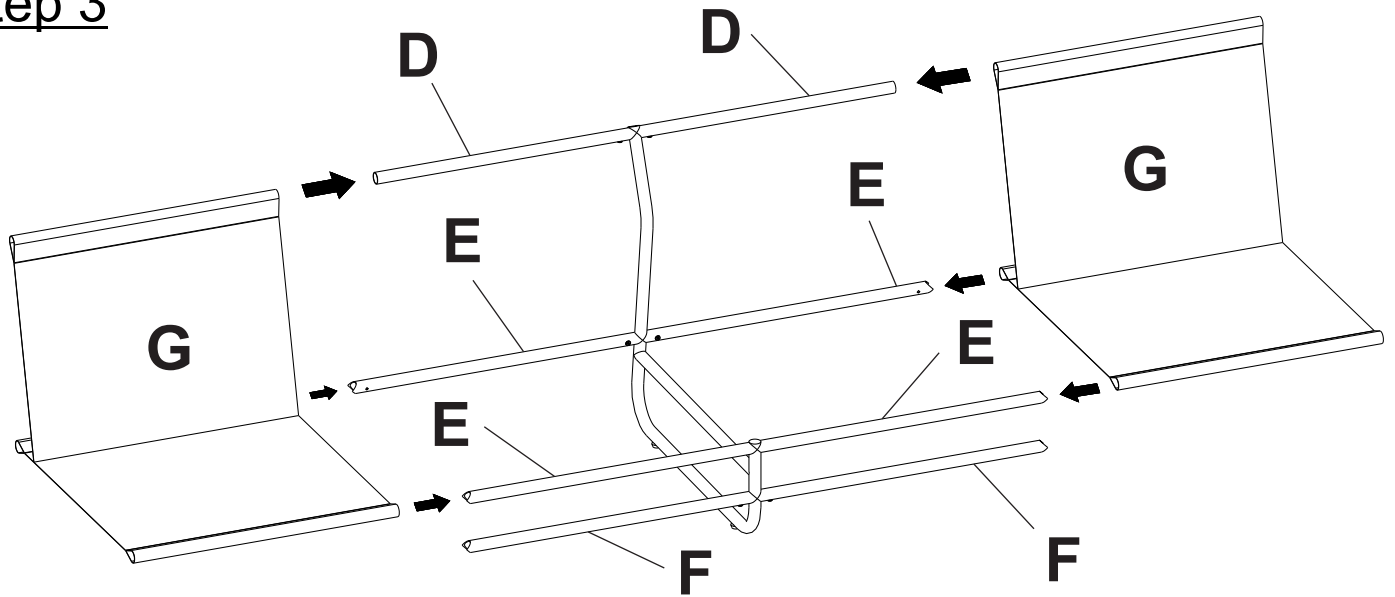
Place the Center Leg Panel (C), Back Rails (D), Rails (E), Under Rails (F) facedown on a clean, non-marring surface.

Attach Back Rails (D), Rails (E), Under Rails (F) to the Center Leg Panel (C) using Bolts (①) with Allen Wrench (②) as shown above.

Do not fully tighten the Bolts.

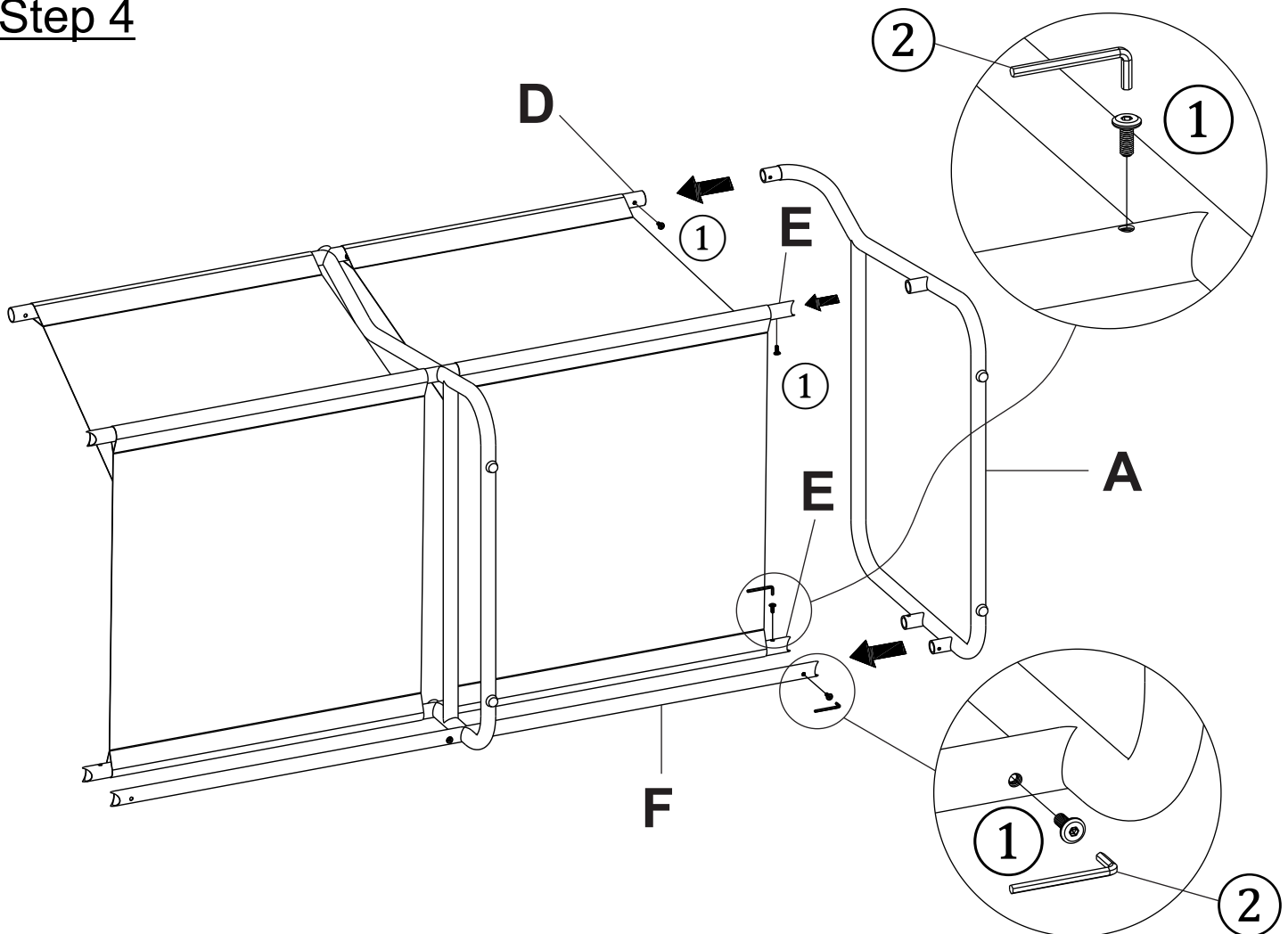
Caution: Please don't place your hands between the gaps to avoid injury.

Step 3



Place the Textilen fabrics (G) onto Back Rail (D), Rails (E), Under Rails (G).

Step 4

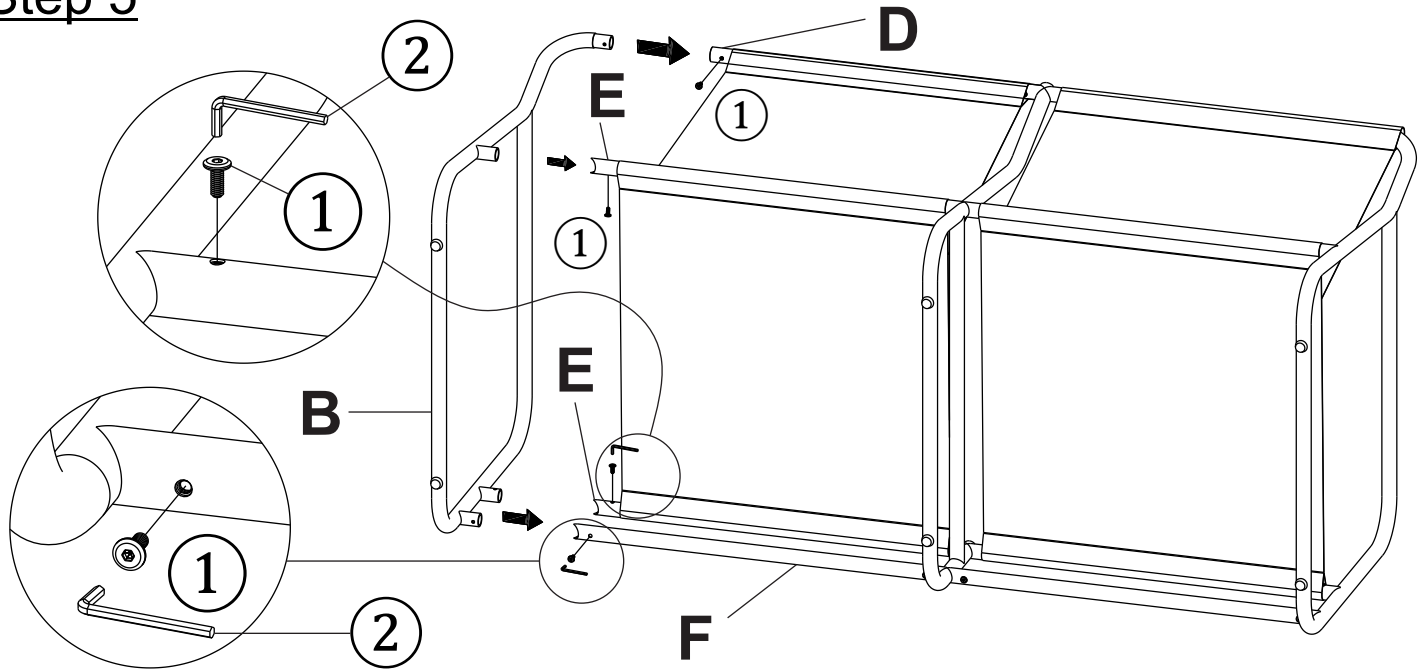


Attach the Left Leg Panel (A) to the Back Rail (D), Rails (E), Under Rail (F) using Bolts (①) with Allen Wrench (②) as shown above.

Do not fully tighten the Bolts.

Caution: Please don't place your hands between the gaps to avoid injury.

Step 5

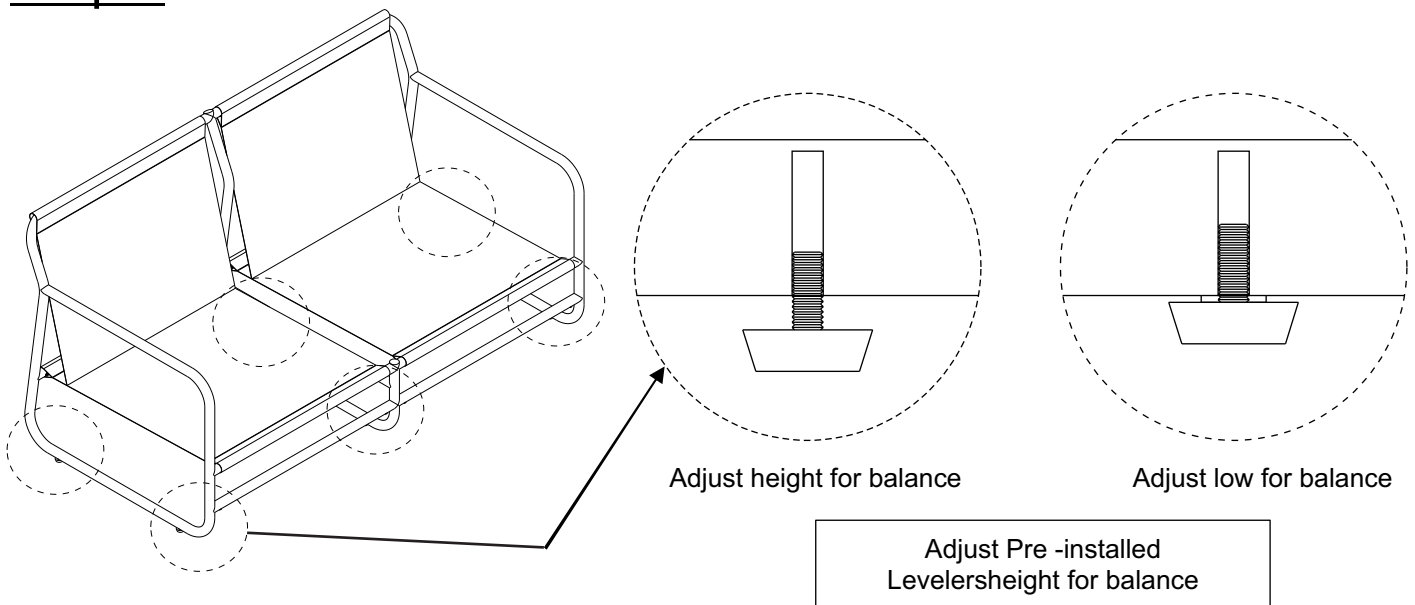


Attach the Right Leg Panel (B) to the Back Rail (D), Rails (E), Under Rail (F) using Bolts (1) with Allen Wrench (2) as shown above.

Do not fully tighten the Bolts.

Caution: Please don't place your hands between the gaps to avoid injury.

Step 6



Place the Bench 2 Seater onto a flat, level surface.

Then EXERT pressure floorward onto the Love seat with both hands.

This pressure will help the Bench 2 seater reach full alignment at all joints.

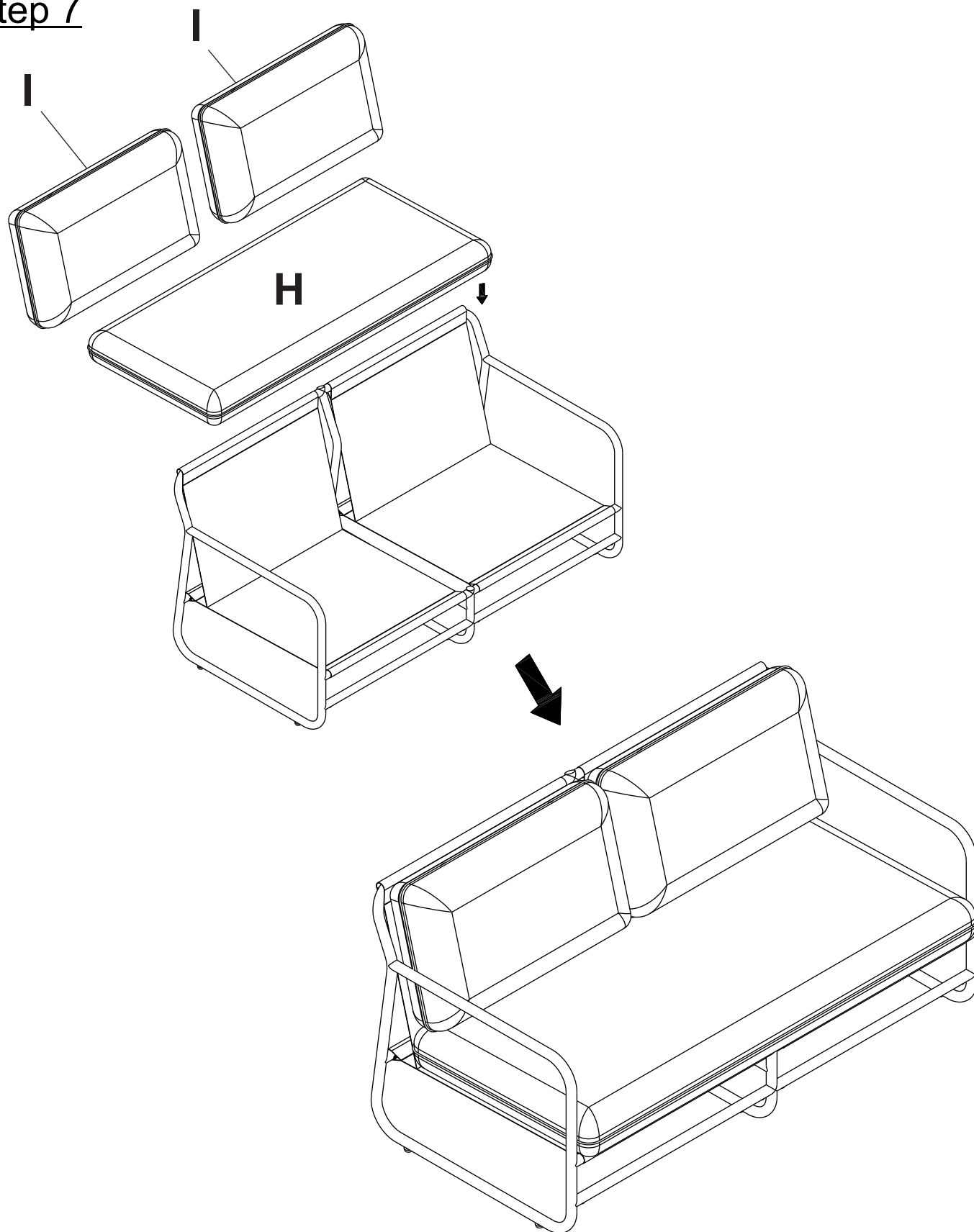
In a sequential manner, gradually tighten all Bolts at all joints until evenly secured.

Inspect the Bench 2 seater and make sure all parts are adequately connected.

Adjust the Levelers until the Bench 2 seater is level with the ground.

To adjust the Levelers, get assistance from an adult partner to lean and hold the Bench 2 seater while you are working.

Step 7



Put the Seat Cushion (H) and Back Cushions (I) to the Bench 2 seater as show above. Inspect it and make sure all parts are adequately connected.

Ensure all screws, bolts are fully locked into position and secured.

Then again with the help of your adult partner, turn the Bench 2 seater right side up.

Your Bench 2 seater is ready to be used.

Caution: This Club chair can only be used on a flat, level surface.