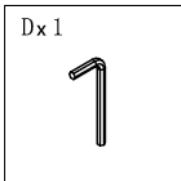
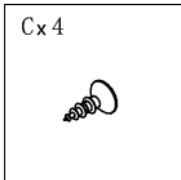
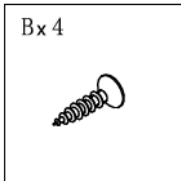
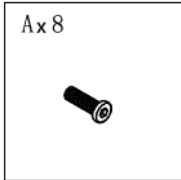
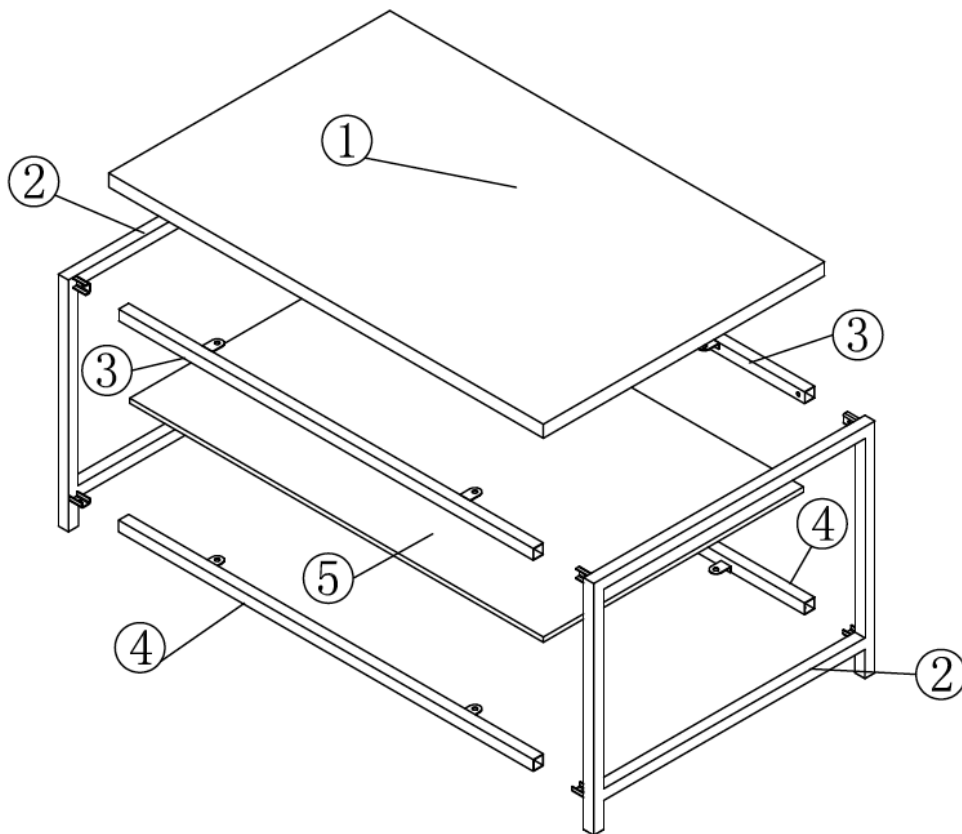


Bamboo with Steel Frame Coffee Table



First locate the top cross bars 3 and separate them from the shelf cross bars 4. The top cross bars will support the table top 1 above the frame. The shelf cross bars will allow the shelf 5 to recess into the frame

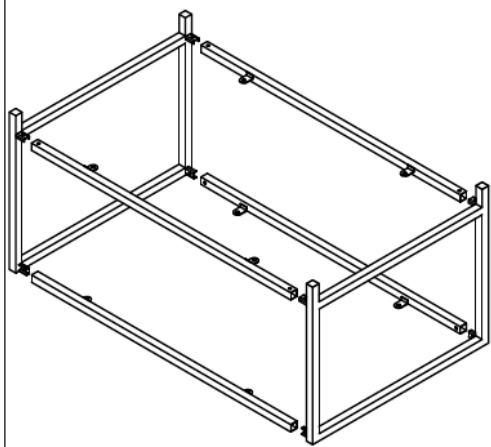


Note a Phillips screwdriver will be necessary to complete this assembly and is not included

Questions or Missing Parts:

1

Table is shown upside down



2

Use bolts A to attach cross bars 3 and 4 to the end frames 2. Note that the bolts for the 3's will enter from the sides and the bolts for the 4's will enter from underneath

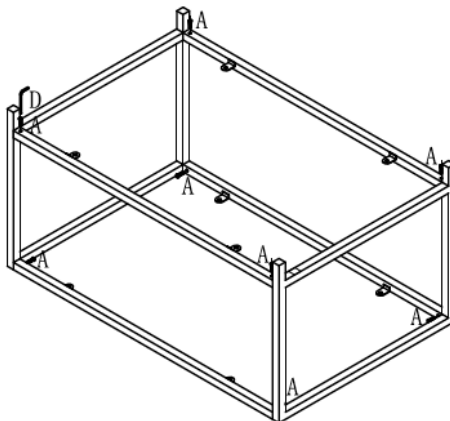


Table is shown upside down

3

Table is shown upside down

