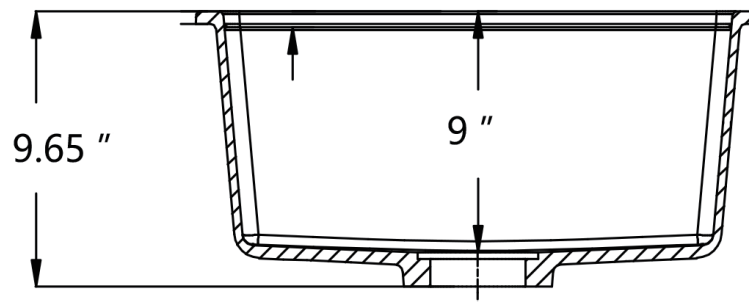
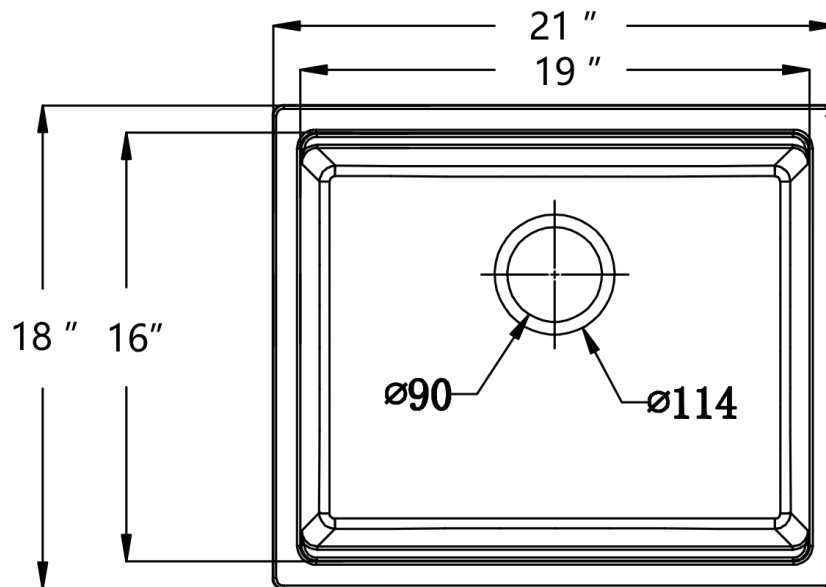


Dimension/Specification



Sink size : 21Length* 18Width* 9 5/8Depth
MINIMUM BASE CABINET : 24"WIDE, STANDARD 3 1/2" OPENING WILL.
AVAILABLE FOR GARBAGE DISPOSAL UNIT.

Sku RX-QS01-2118B