

DESK

Assembly Instructions - Please keep for future reference



Two people are required to assemble and move this model.

Important – Please read these instructions fully before starting assembly

Safety and Care Advice

Important – Please read these instructions fully before starting assembly

- Check you have all the components and tools listed on the following pages.
- Remove all fittings from the plastic bags and separate them
- Keep children and pets away from the installation area, which may cause choking if small parts are swallowed.
- Make sure you have enough space to layout the parts before

- Do not stand or apply weight to the product during assembly. This may cause damage.
- Assemble the item as close to its final position (in the same room) as possible.
- Assemble on a soft level surface to avoid damage to the unit or floor.
- It's easier for two people to assemble the parts together.



- To reduce the likelihood of damage to your product, make sure your power drill is set to a low torque setting.

Care and maintenance

- Only clean using a damp cloth and mild detergent, do not use bleach or abrasive cleaners.
- Check for loose screws on this unit from time to time.
- This product should not be discarded with household waste. Take to your local authority waste disposal centre.

Handy Hints

- Assemble all parts and bolts loosely during assembly, only once the product is complete should you fully tighten the bolts
- Regularly check and ensure that all bolts and fittings are correctly tightened.

WARNING In order to help prevent overturning – please follow these instructions

To help prevent product toppling over please follow the below steps:-

Use the anti tip strap or wall fixing method provided (if applicable).
Do not allow children to climb or hang on the furniture.
Do not open more than one drawer at a time.
Do not place heavy items in the top drawers.
Do not place heavy items on top of the furniture, unless the furniture has been designed for this purpose.

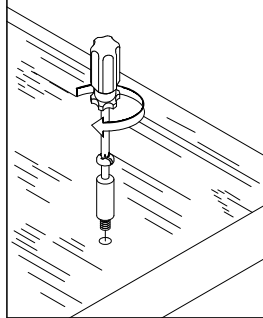
please note that only the anti tip strap is provided.
You will need to provide wall plugs and screws applicable for your wall type.

Using Camlocks

Step 1

Connect the male camlock as directed in the assembly instructions using a screwdriver.

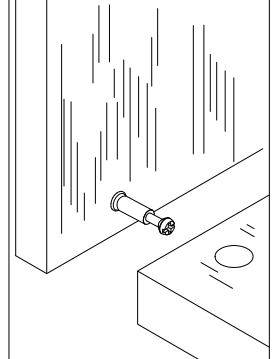
1 DO NOT OVER TIGHTEN.



Step 2

Push the male camlock into the entry hole.

2

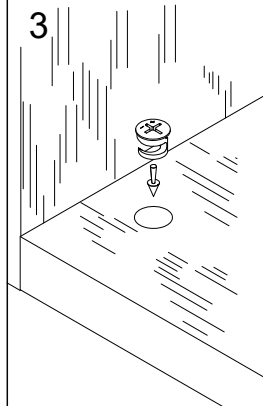


Step 3

Insert the female camlock as shown in the instruction.

Note: ensure that the arrow on the top of the camlock points towards the entry hole for the male camlock.

3



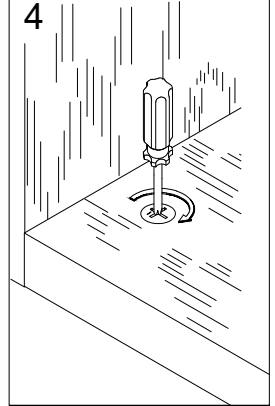
Step 4

Turn the female camlock clockwise with a screwdriver.

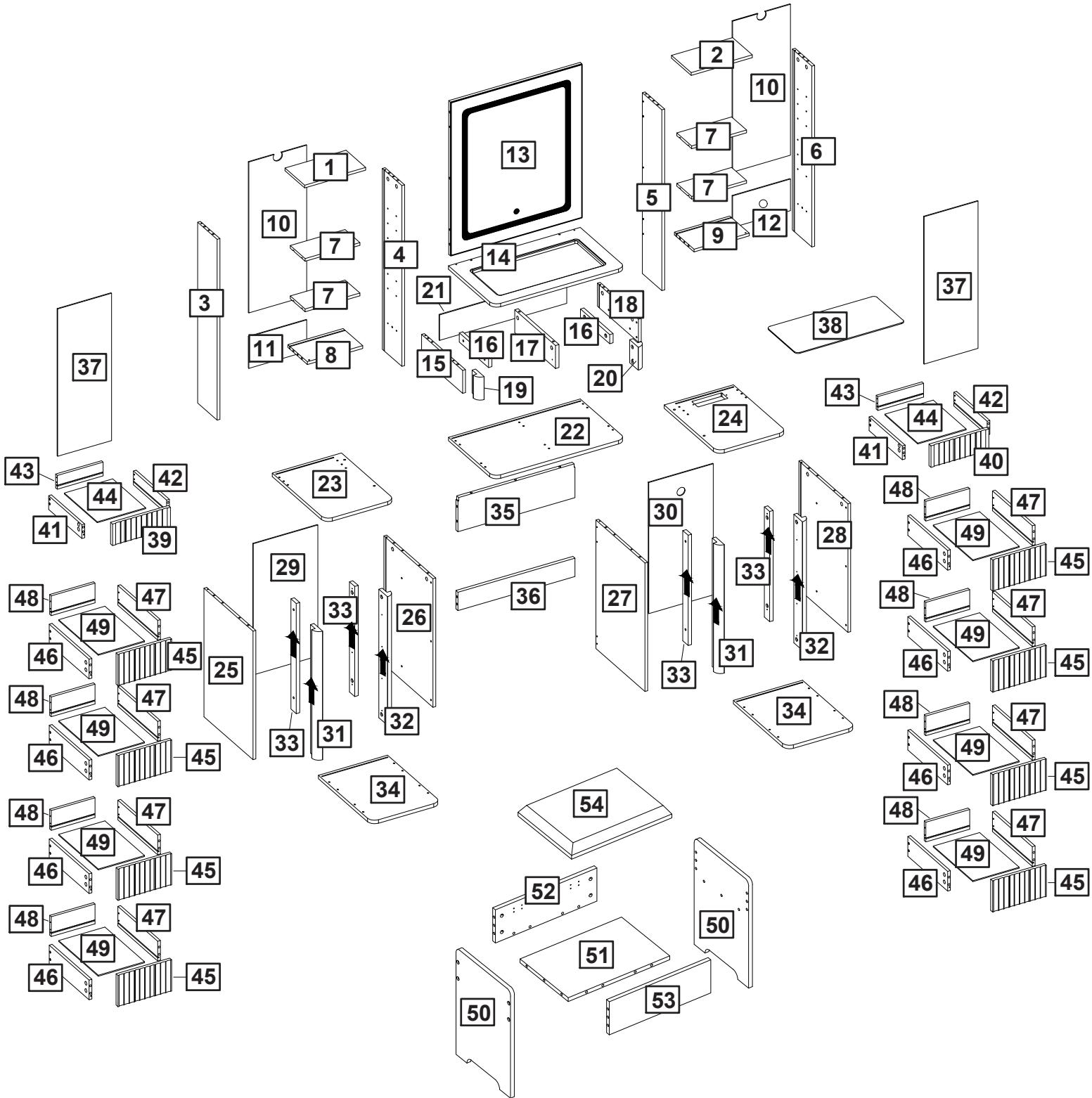
You should feel a click when the camlock is locked in place.

The joint is now secure.

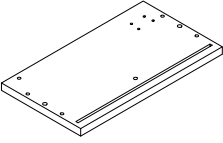
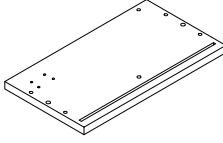
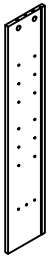



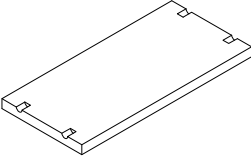
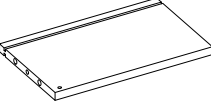
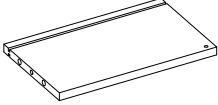
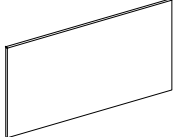
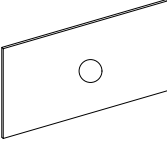
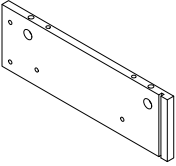
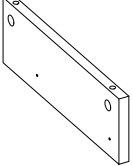
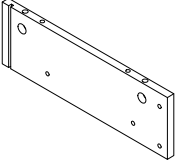
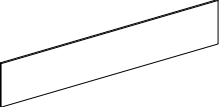
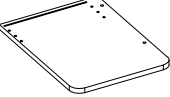
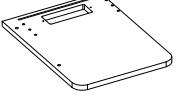

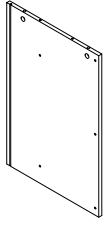
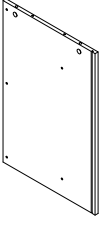
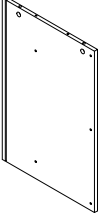
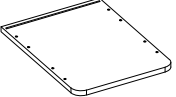
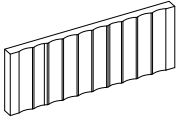
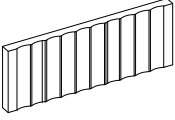
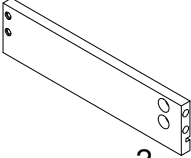
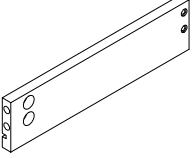
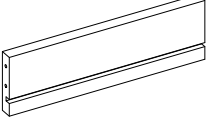
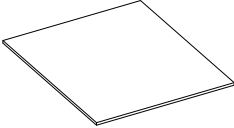
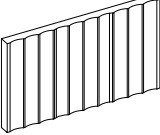
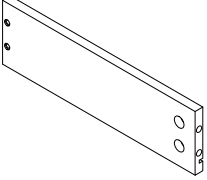
4

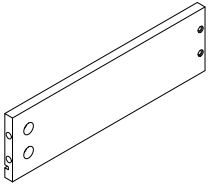
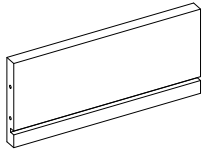
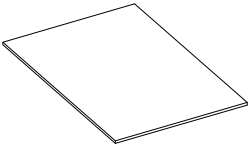
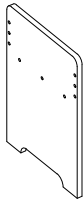
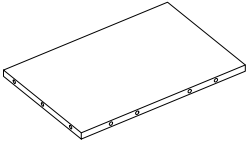
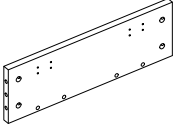
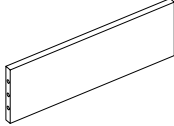
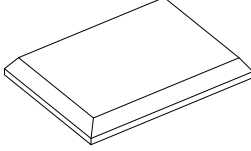
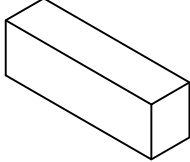


Assembly Instructions

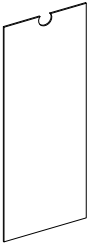
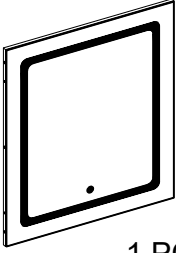
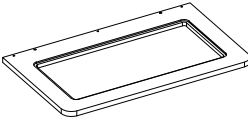
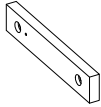
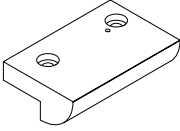
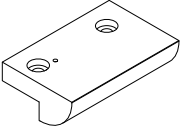
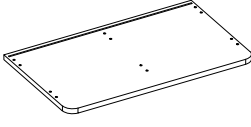

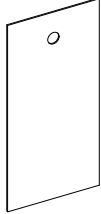



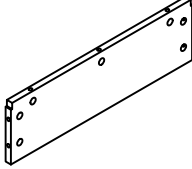
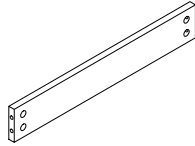

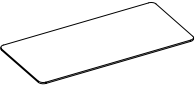


Part List

①  1 PC	②  1 PC	③  1 PC	④  1 PC	⑤  1 PC
⑥  1 PC	⑦  4 PCS	⑧  1 PC	⑨  1 PC	⑪  1 PC
⑫  1 PC	⑮  1 PC	⑰  1 PC	⑱  1 PC	⑳  1 PC
⑳  1 PC	㉔  1 PC	㉕  1 PC	㉖  1 PC	㉗  1 PC
㉘  1 PC	㉛  2 PCS	㉞  1 PC	㉟  1 PC	㊱  2 PCS
㊲  2 PCS	㊳  2 PCS	㊴  2 PCS	㊵  8 PCS	㊶  8 PCS

<p>④⑦</p>  <p>8 PCS</p>	<p>④⑧</p>  <p>8 PCS</p>	<p>④⑨</p>  <p>8 PCS</p>	<p>⑤⑩</p>  <p>2 PCS</p>	<p>⑤①</p>  <p>1 PC</p>
<p>⑤②</p>  <p>1 PC</p>	<p>⑤③</p>  <p>1 PC</p>	<p>⑤④</p>  <p>1 PC</p>	<p>Hardware</p>  <p>1 PC</p>	

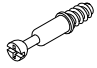


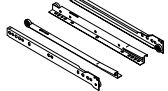
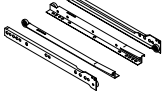


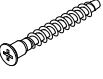

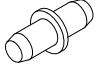
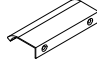

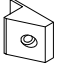


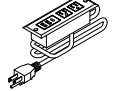

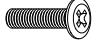


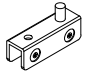
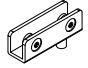
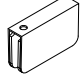
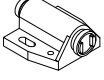

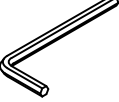
Part List

<p>⑩</p>  <p>2 PCS</p>	<p>⑬</p>  <p>1 PC</p>	<p>⑭</p>  <p>1 PC</p>	<p>⑯</p>  <p>2 PCS</p>	<p>⑱</p>  <p>1 PC</p>
<p>⑳</p>  <p>1 PC</p>	<p>㉒</p>  <p>1 PC</p>	<p>㉔</p>  <p>1 PC</p>	<p>⑳</p>  <p>1 PC</p>	<p>㉑</p>  <p>2 PCS</p>
<p>㉓</p>  <p>2 PCS</p>	<p>㉕</p>  <p>4 PCS</p>	<p>㉗</p>  <p>1 PC</p>	<p>㉘</p>  <p>1 PC</p>	<p>㉙</p>  <p>2 PCS</p>
<p>㉚</p>  <p>1 PC</p>				

Hardware list

Please check you have all the panels listed below

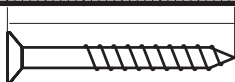
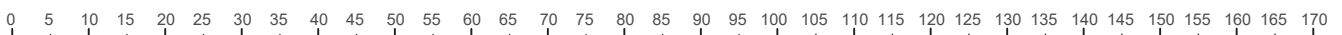
Note: The quantitie below are the correct amount to complete the assembly. In some cases more fittings may be supplied than are required.

A  Male Camlock x 98	B  Female Camlock x 98	C  Dowel x 54
D  Drawer slider 10" x 2	E  Drawer slider 12" x 8	F  4*30mm Screw x 40
G  3*12mm Screw x 100	H  5*40mm Screw x 22	I  Hinge x 2
J  Shelf Support Pin x 16	K  metal handle x 10	L  3*16mm Screw x 44
M  Plasticwedge x 36	N  Ø20 Sticker x 136	O  Wall Fixing Pack x 2
P  Socket x 1	Q  3.5*14mm Screw x 14	R  6*20mm Screw x 32
S  6*40mm Screw x 8	T  10*10mm Screw x 8	U  Glass door hinge x 2
V  Glass door hinge x 2	W  Glass door hardware accessories x 2	X  Magnetic collision x 2
Y  Glass rotating shaft accessories x 4	M4 x 1 	



Phillips screwdriver
(medium & large)

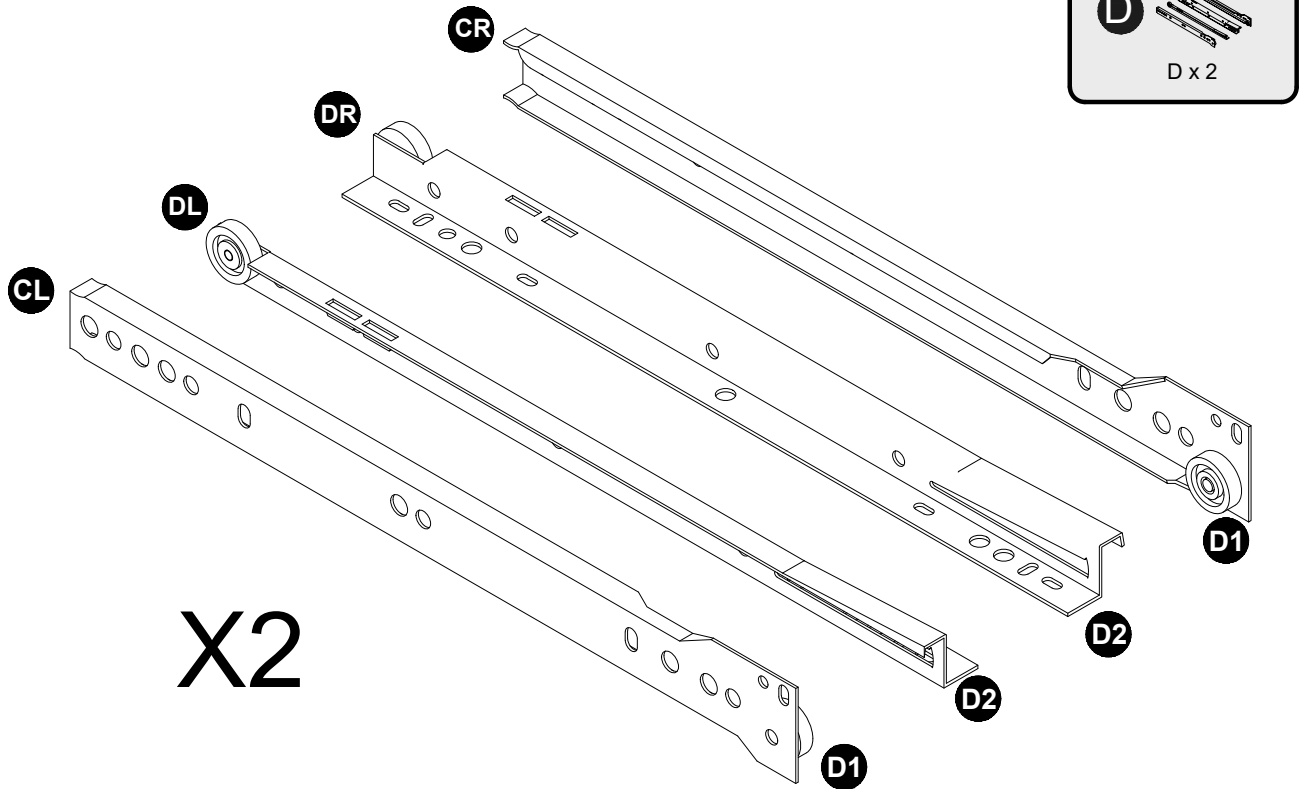
Ruler - Use this ruler to help correctly identify the screws



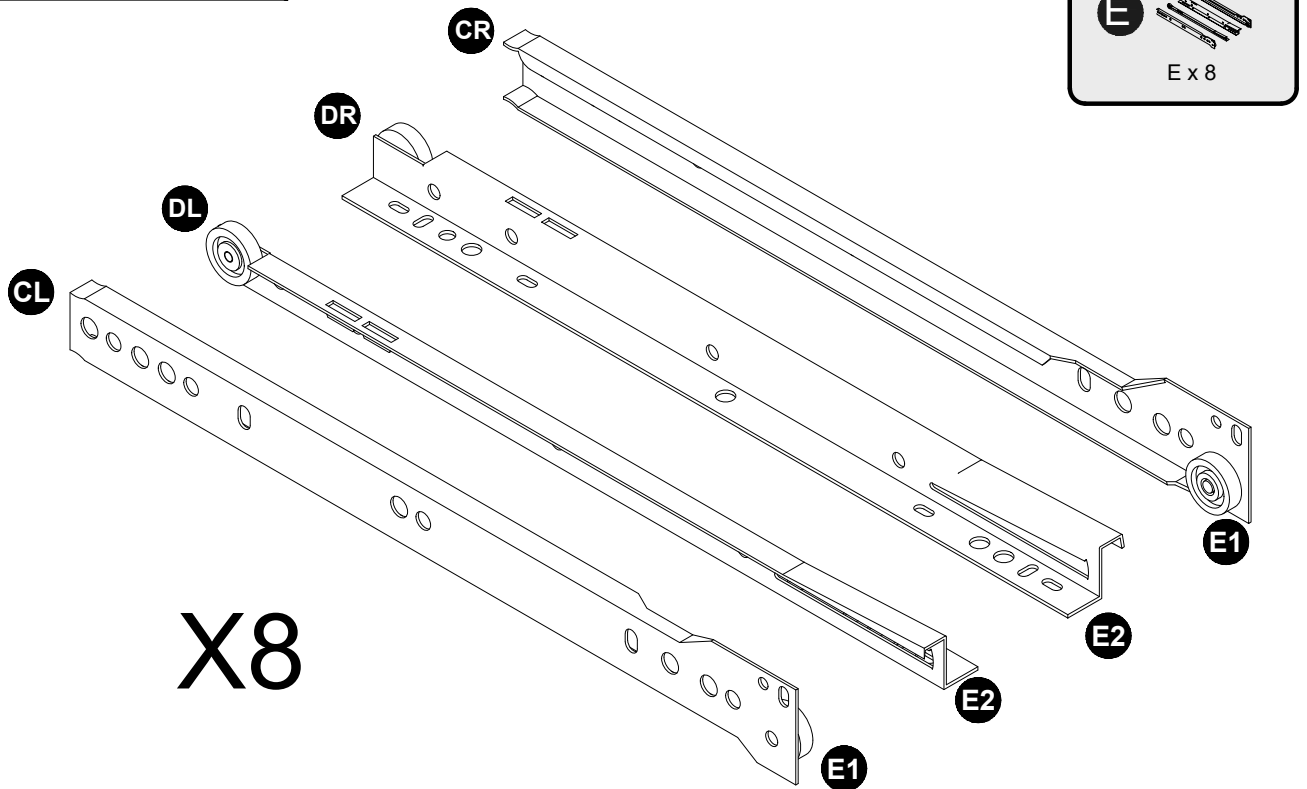
The screws length is measured from the head to the point (30mm screw shown).

Assembly Instructions

Step 1

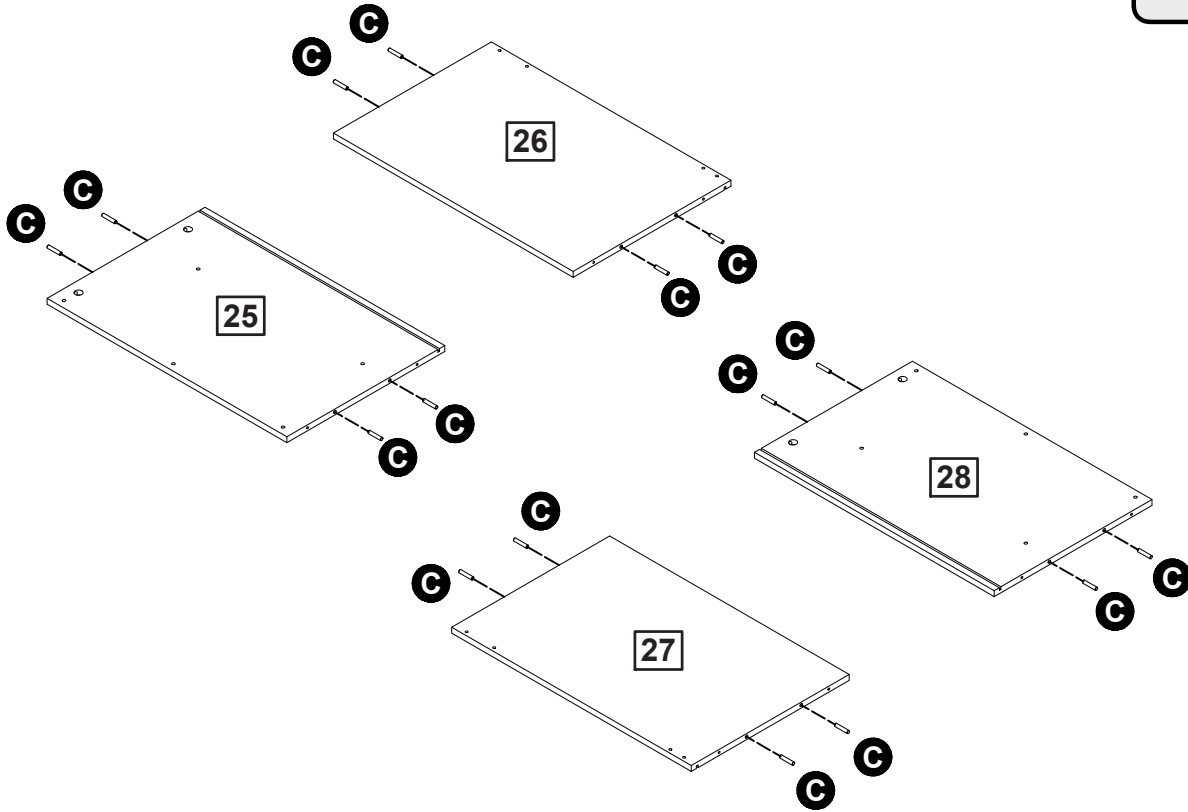


Step 2

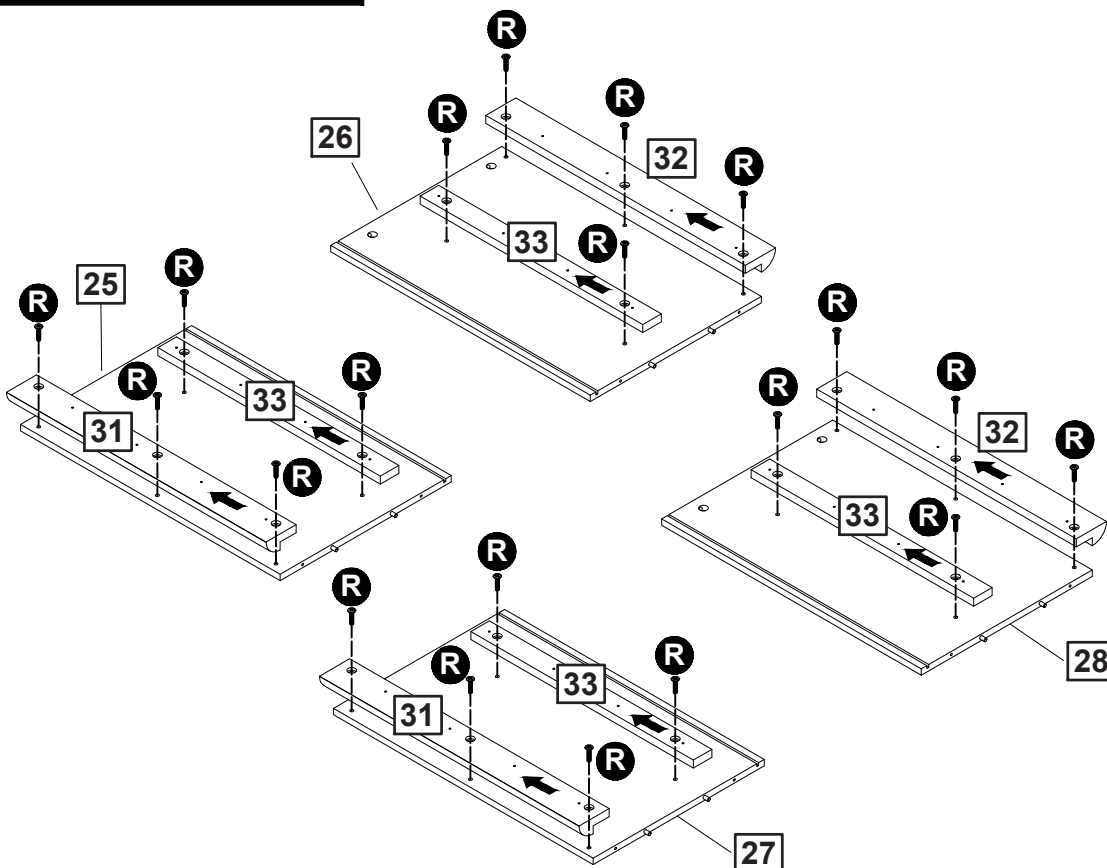


Assembly Instructions

Step 3



Step 4



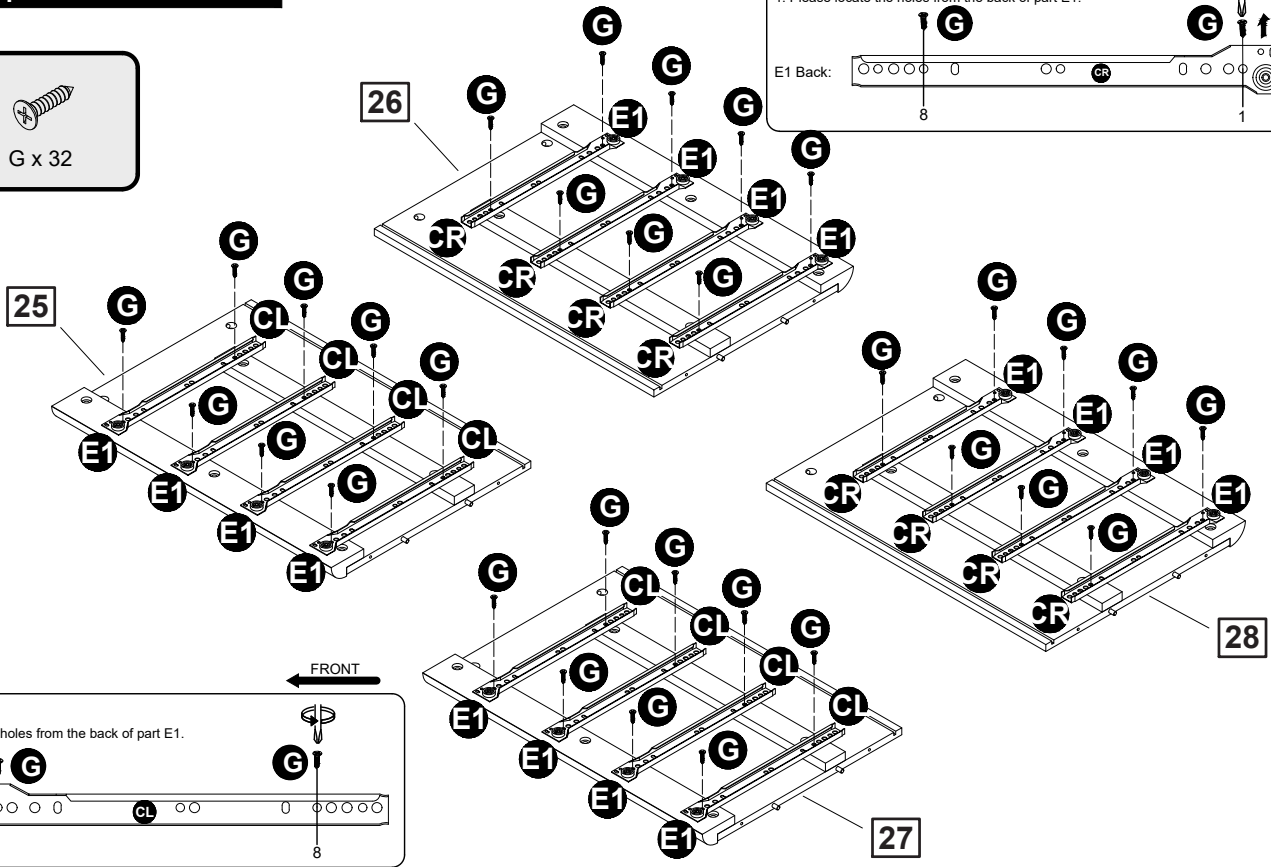
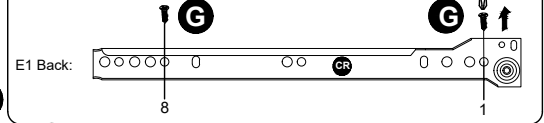
Assembly Instructions

Step 5



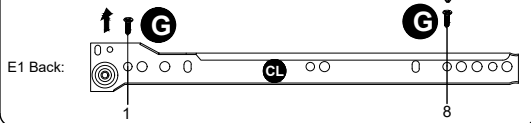
Attention:

1. Please locate the holes from the back of part E1.

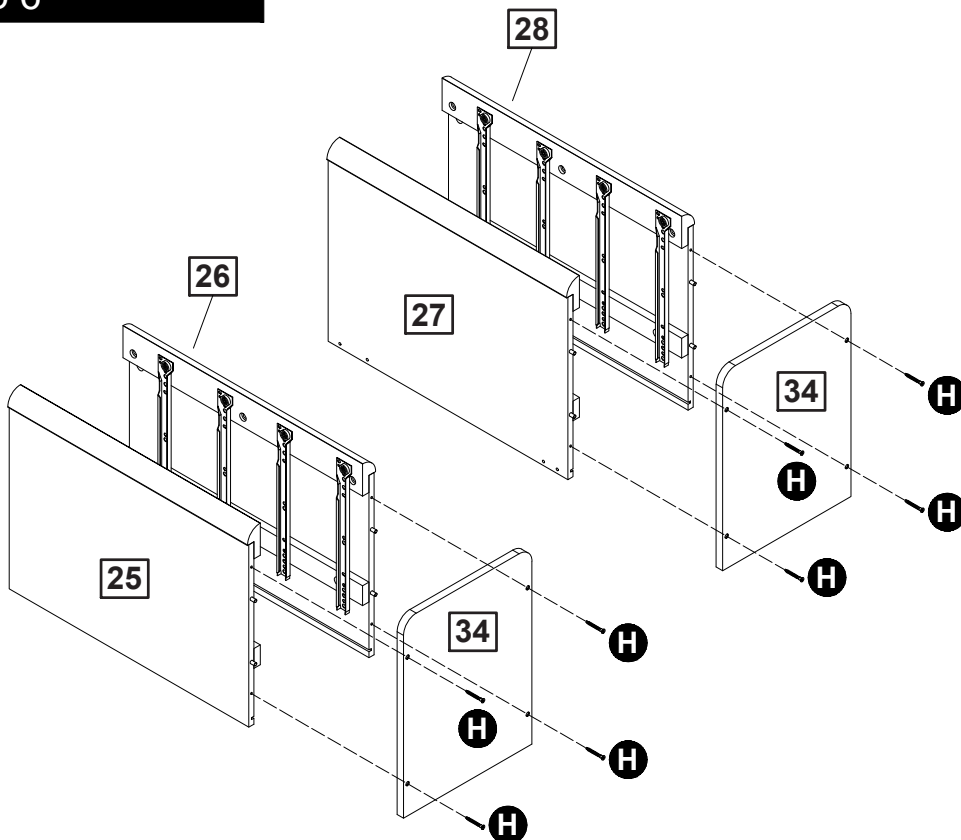


Attention:

1. Please locate the holes from the back of part E1.

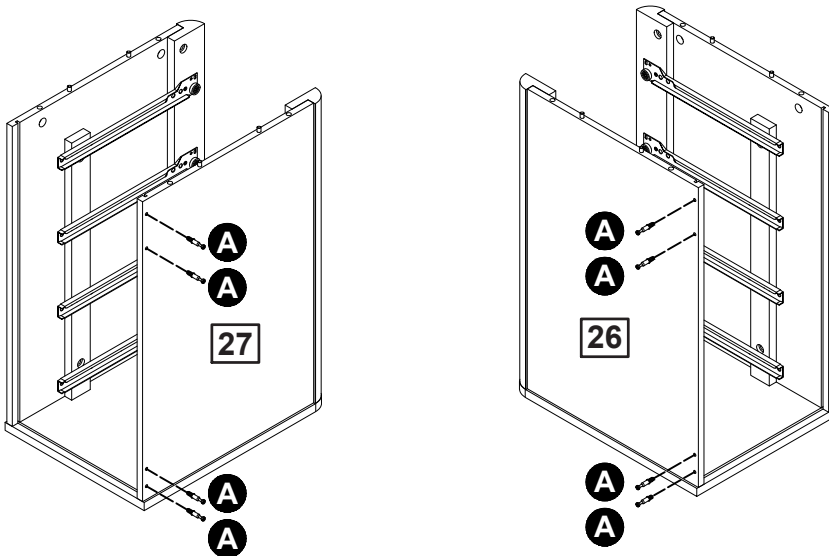


Step 6

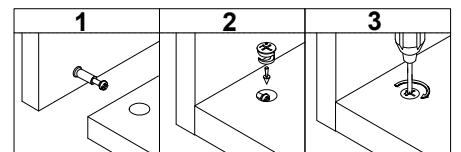
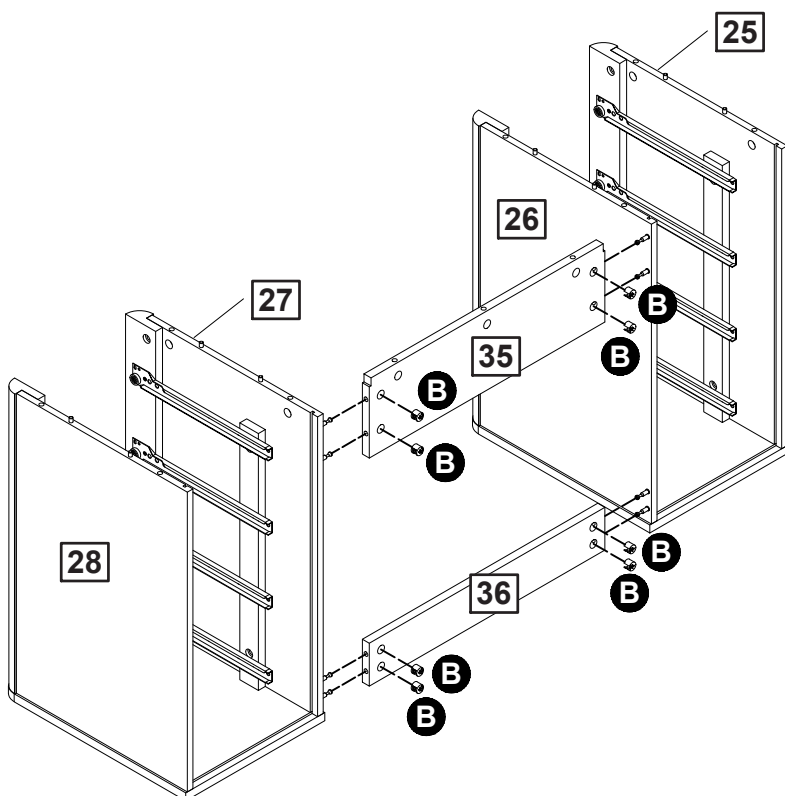
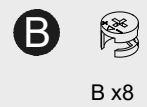


Assembly Instructions

Step 7

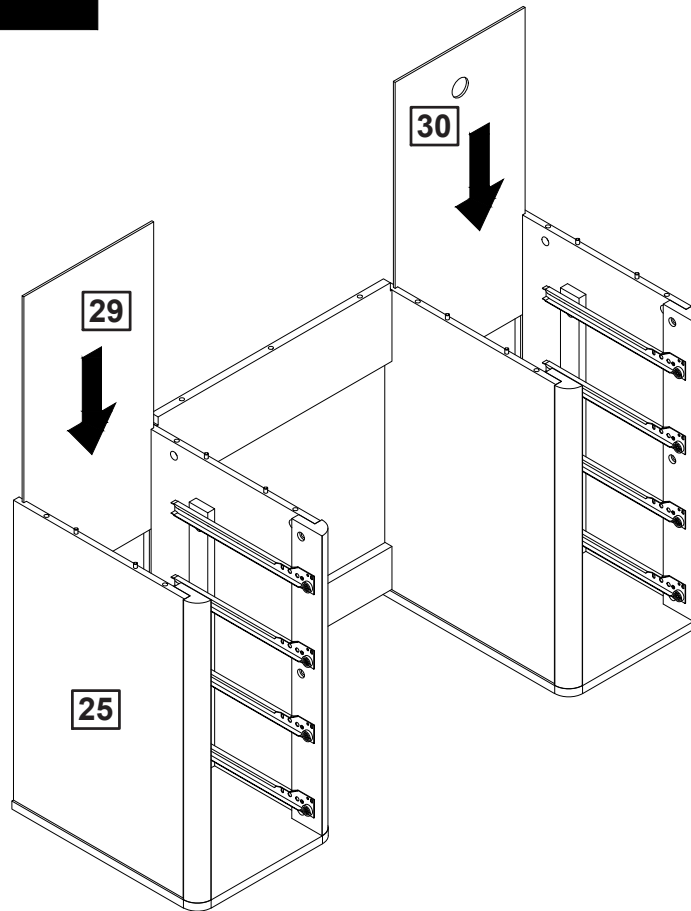


Step 8

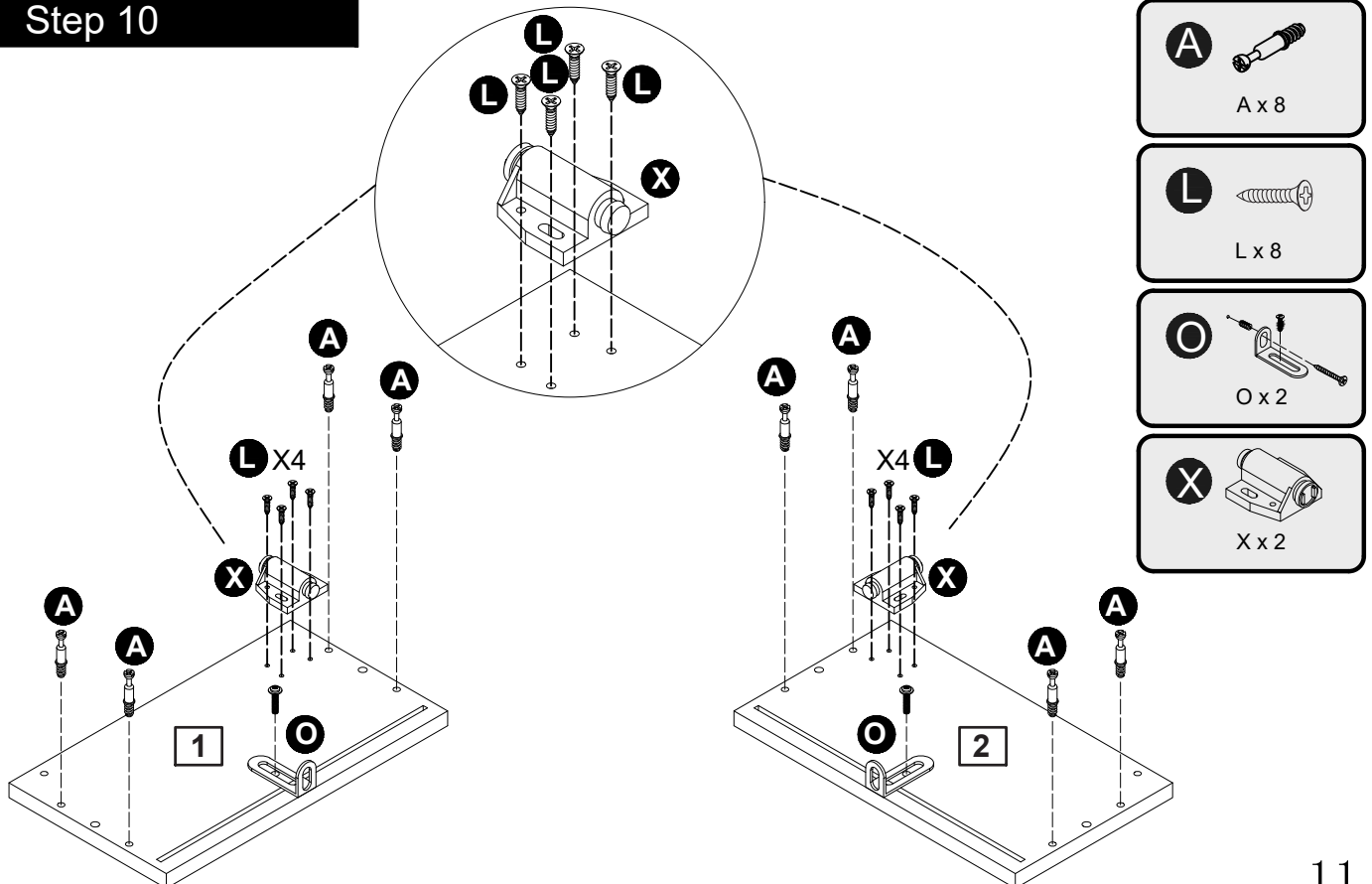


Assembly Instructions

Step 9

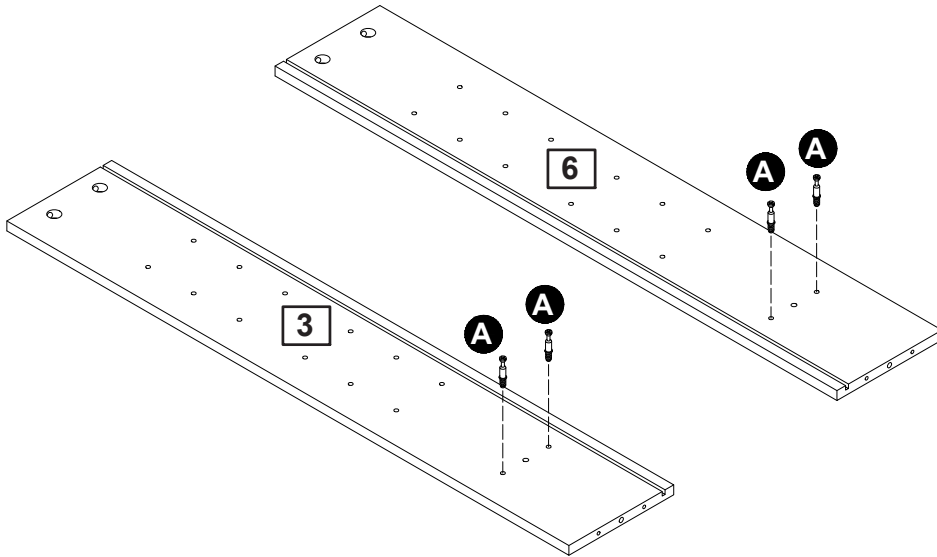


Step 10

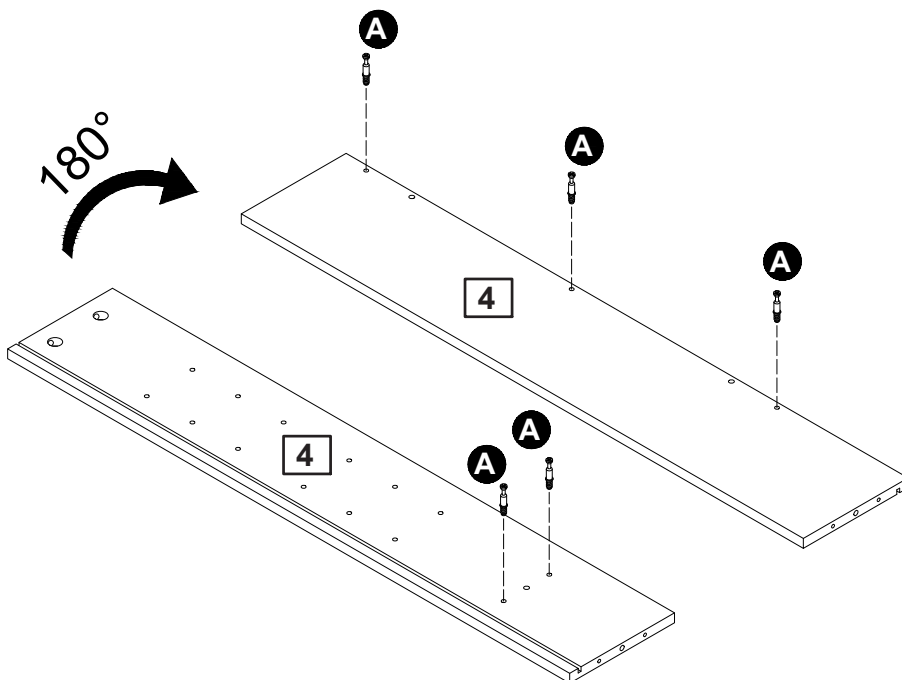
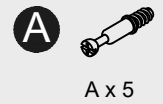


Assembly Instructions

Step 11

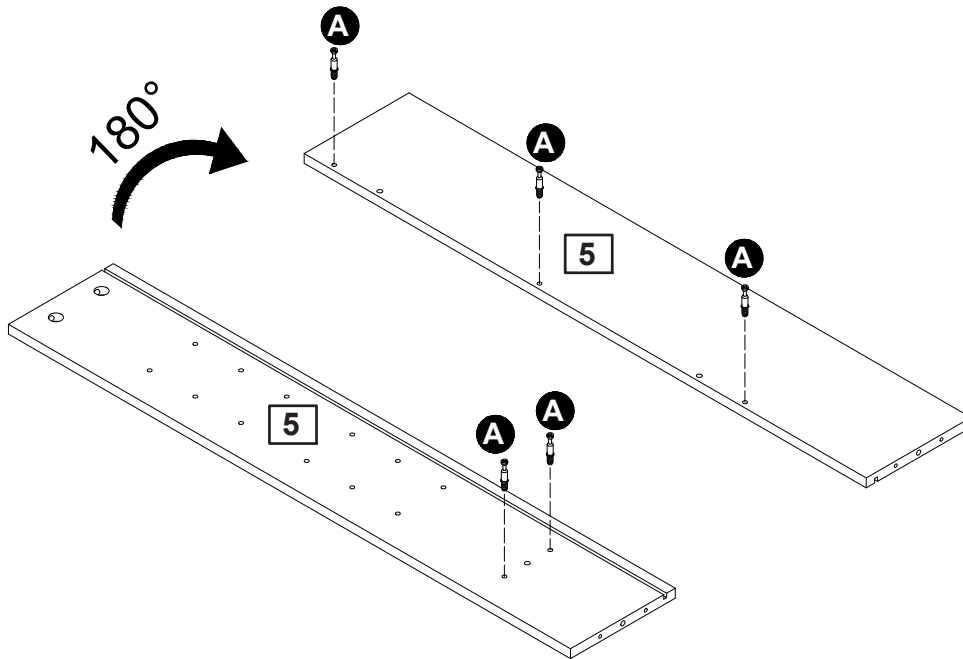


Step 12

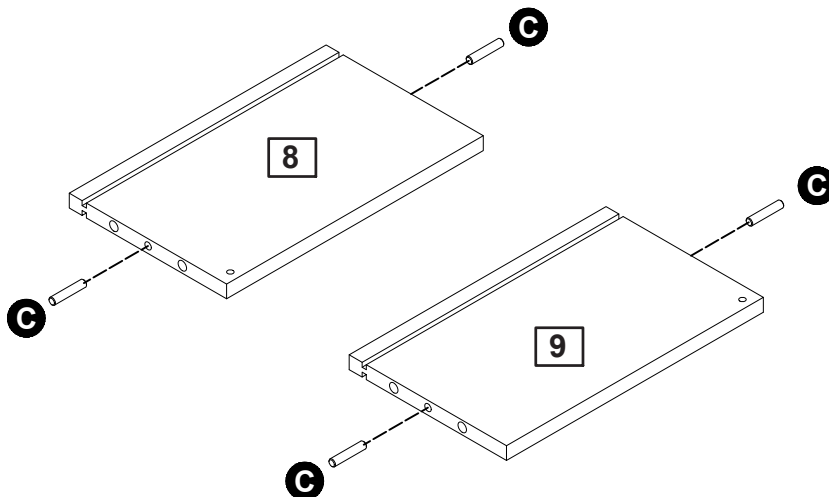


Assembly Instructions

Step 13

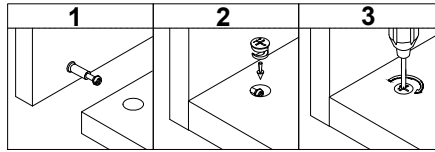


Step 14

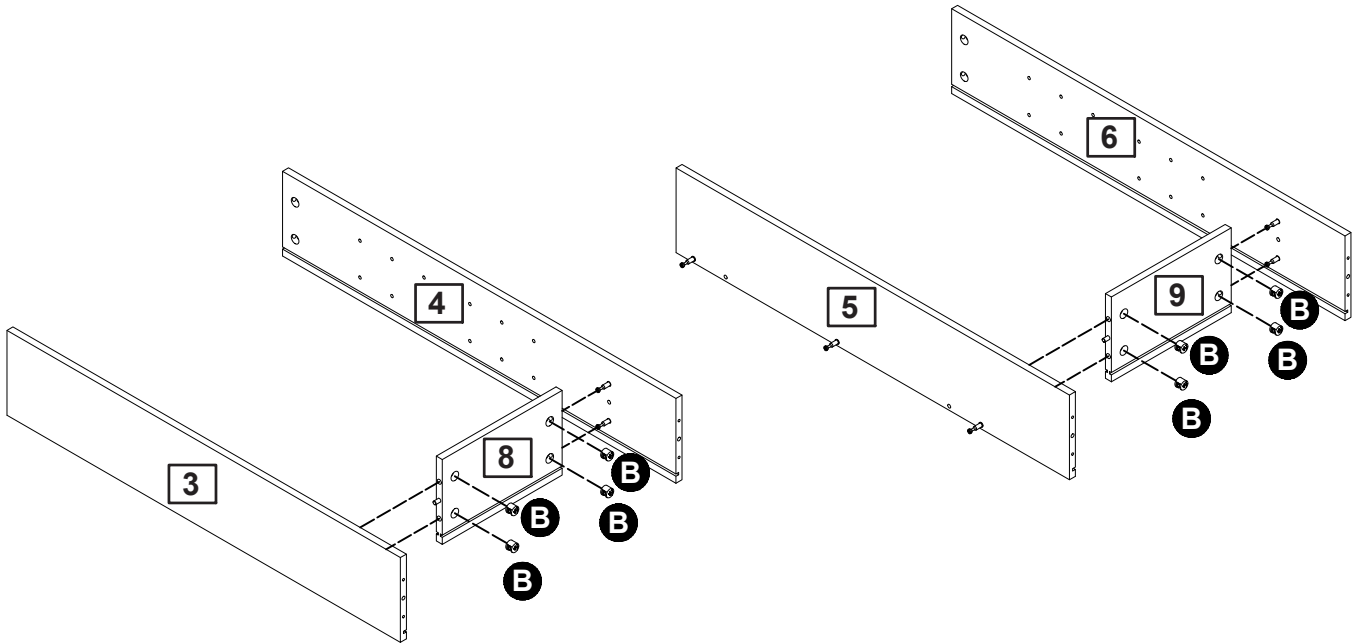


Assembly Instructions

Step 15

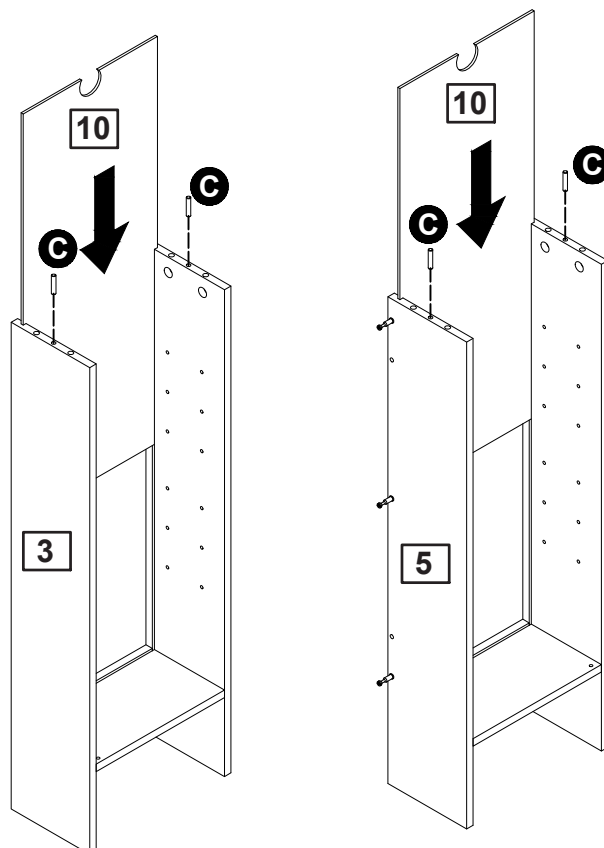


B 
B x 8



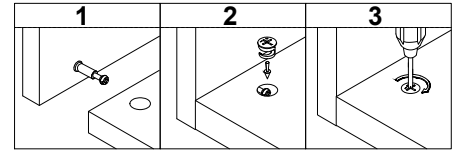
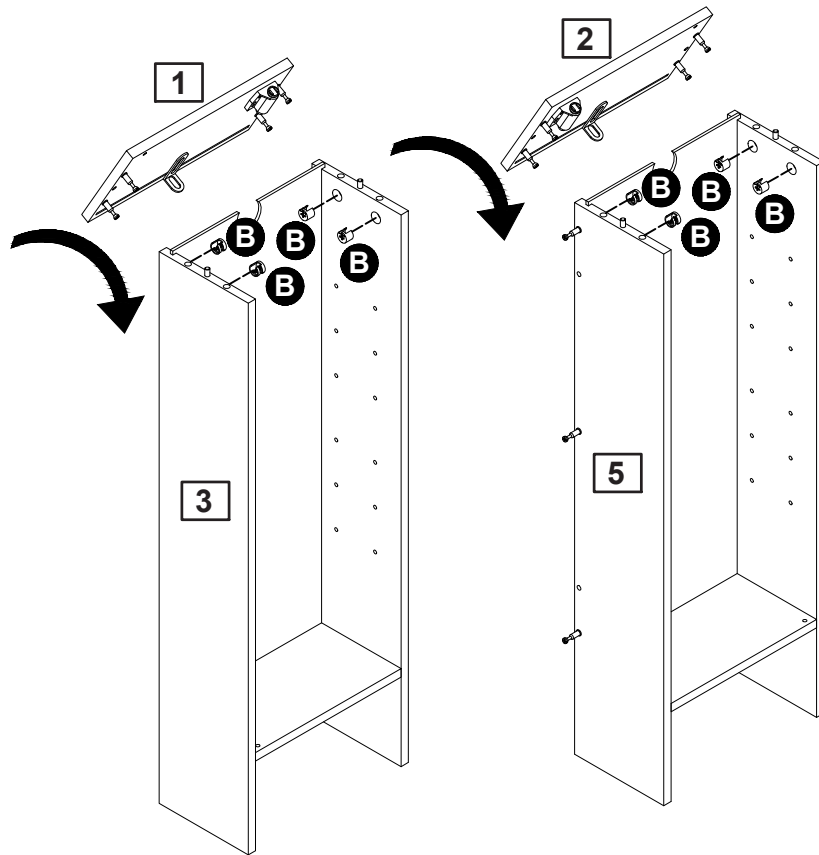
Step 16

C 
C x 4

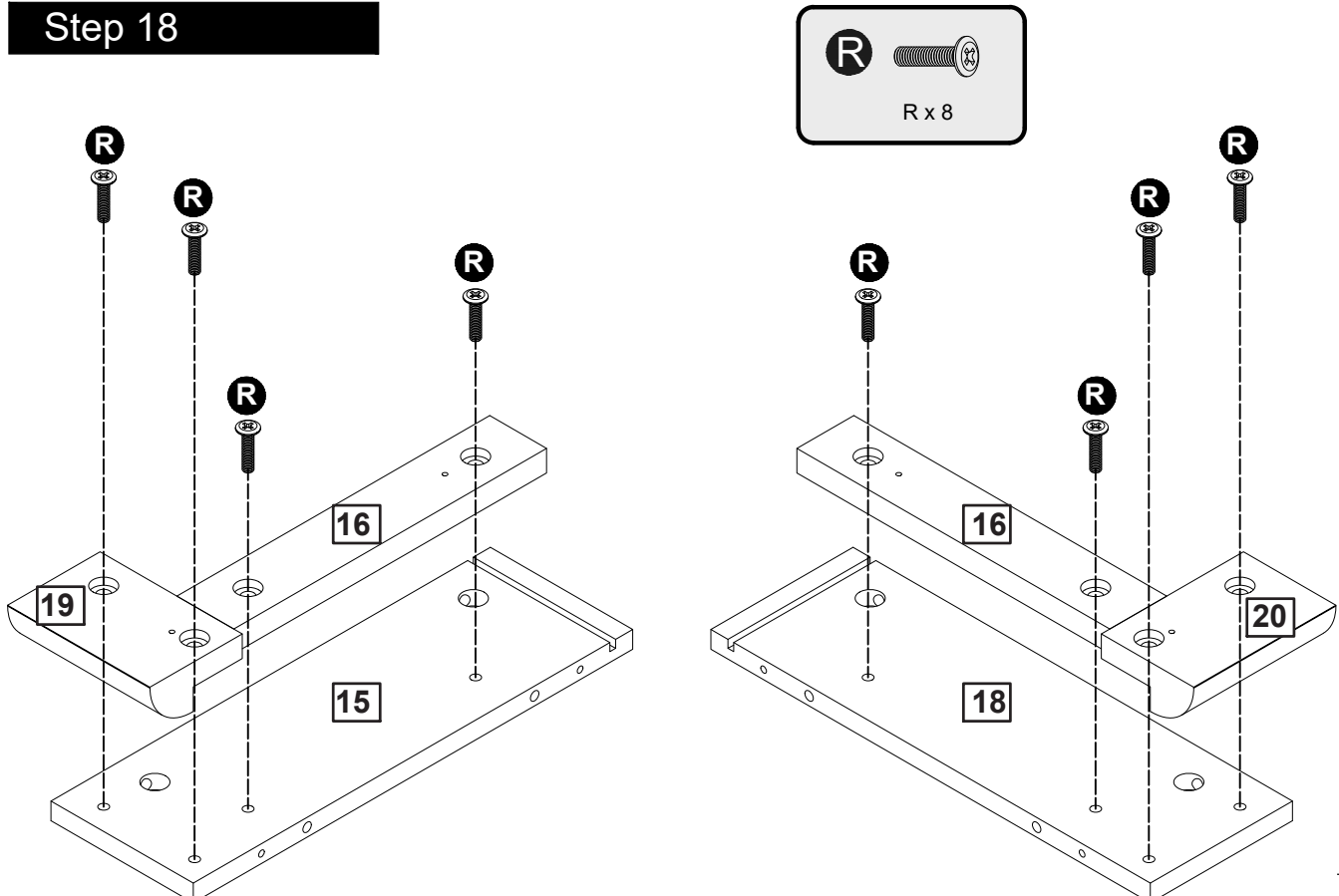


Assembly Instructions

Step 17

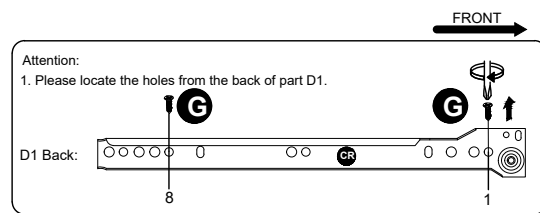
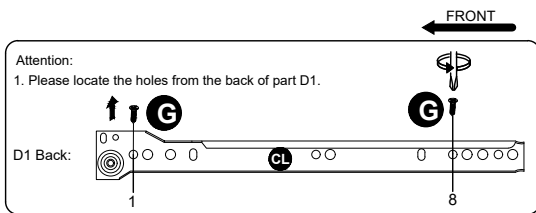
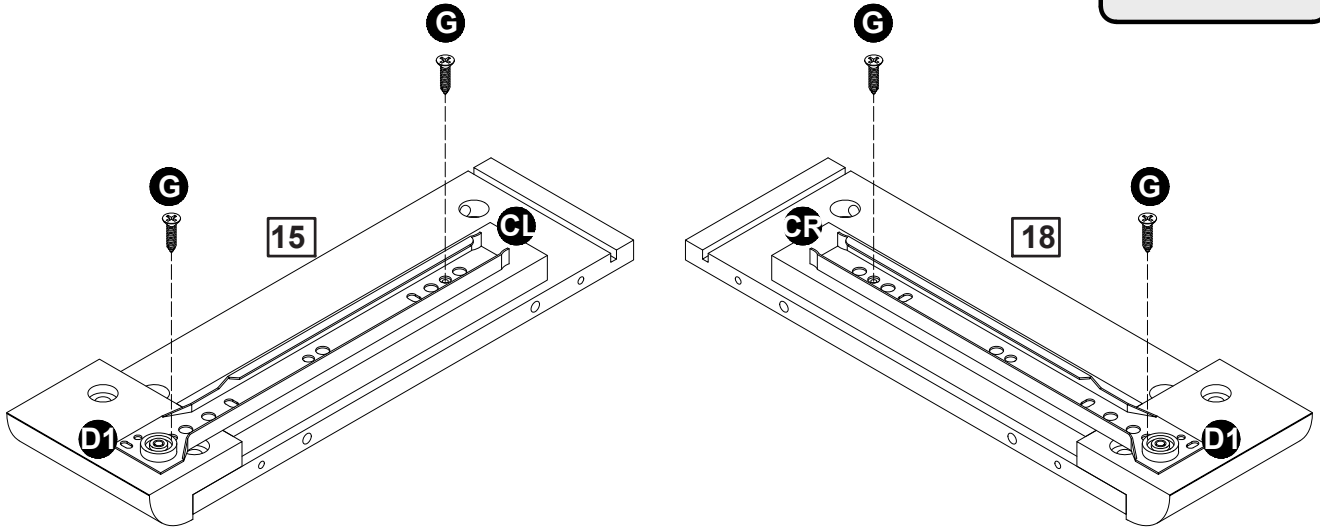


Step 18

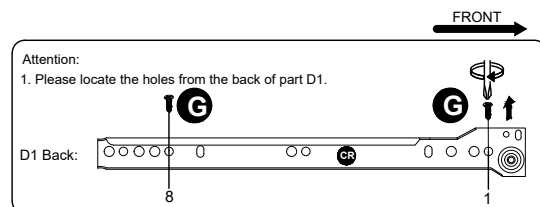
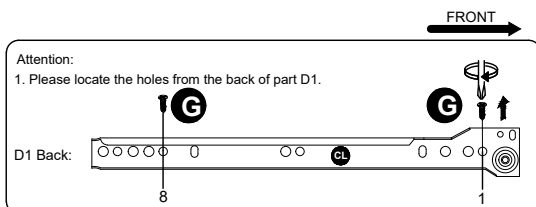
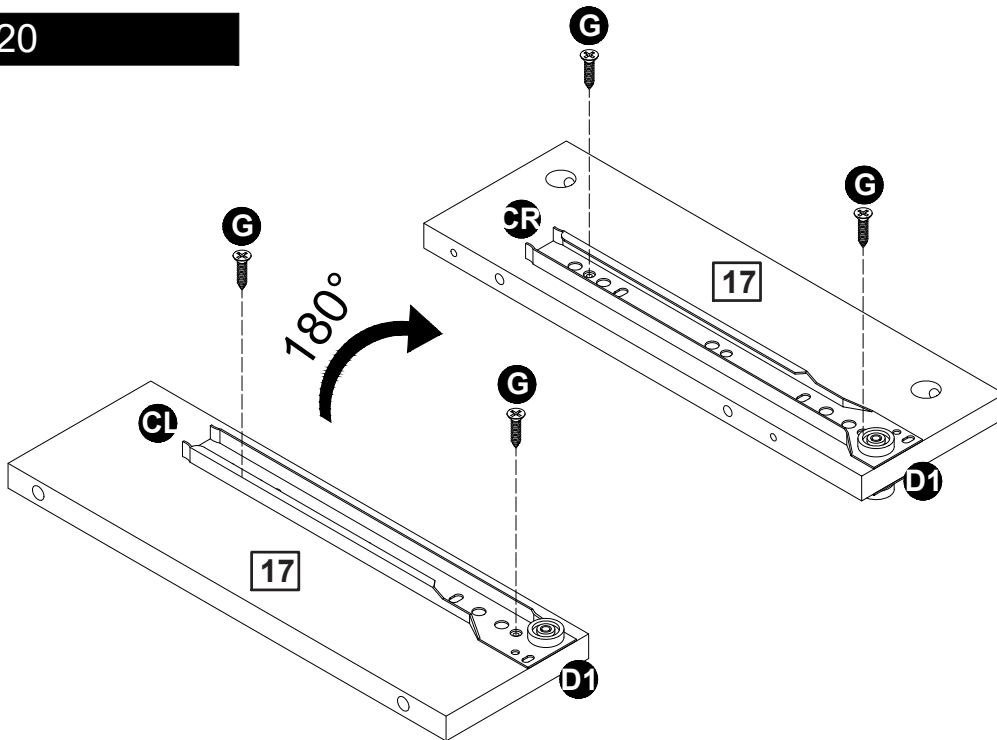


Assembly Instructions

Step 19

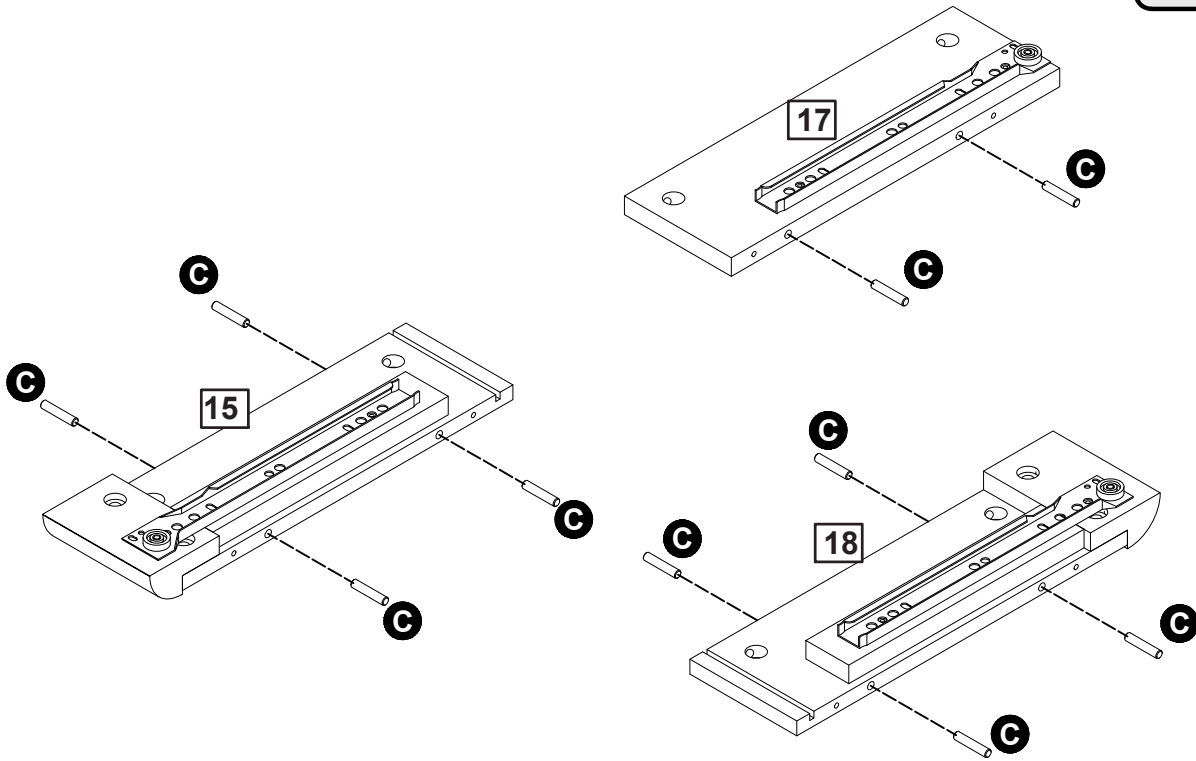


Step 20

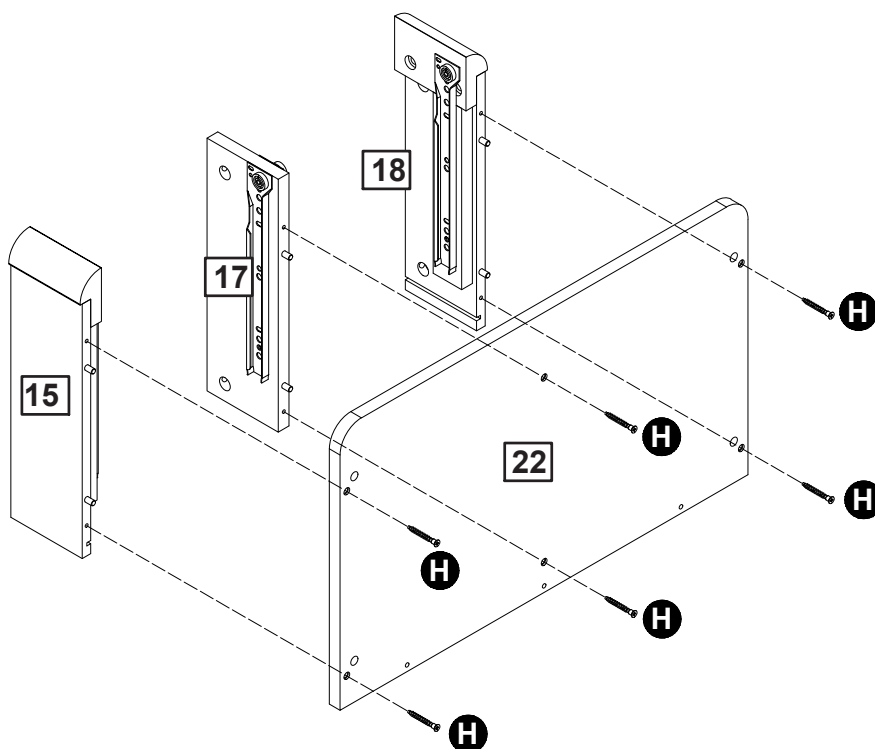


Assembly Instructions

Step 21

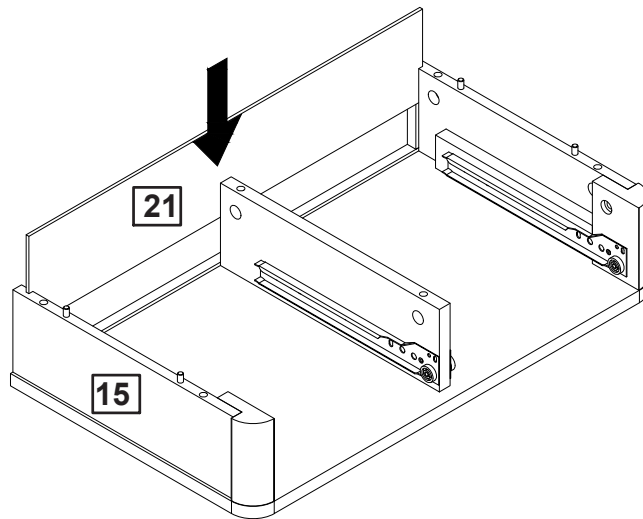


Step 22

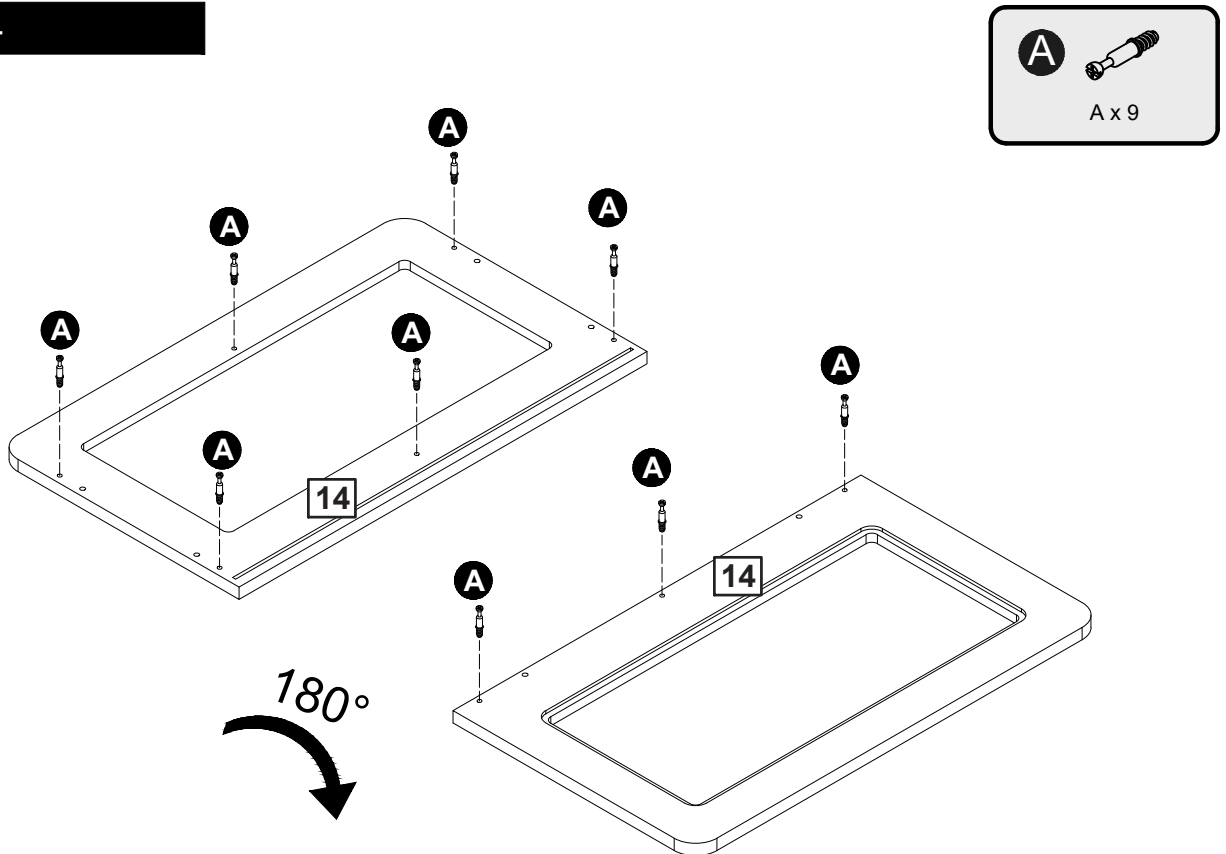


Assembly Instructions

Step 23



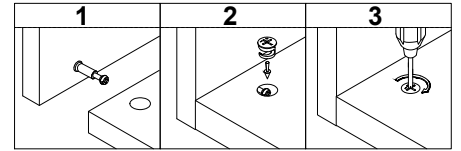
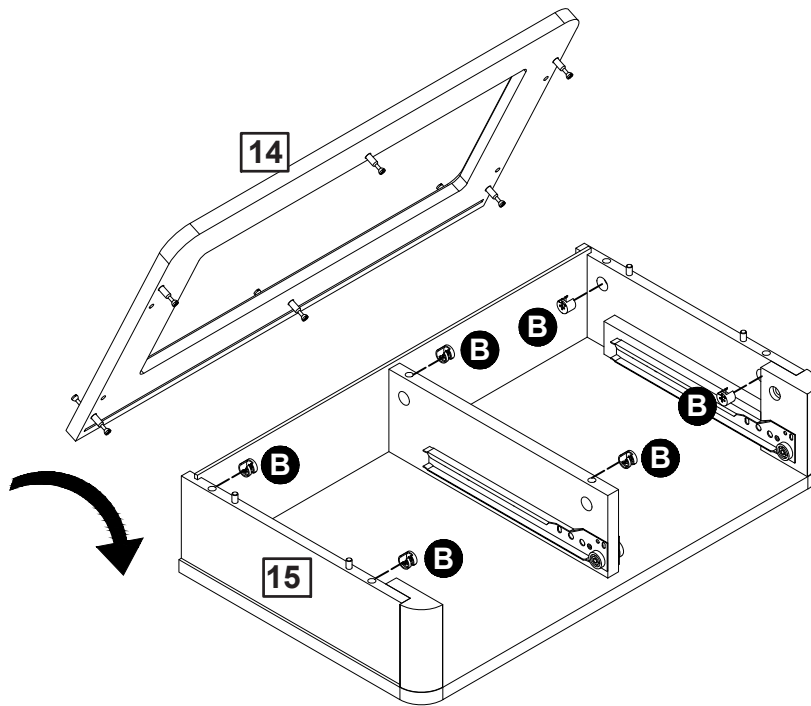
Step 24



Assembly Instructions

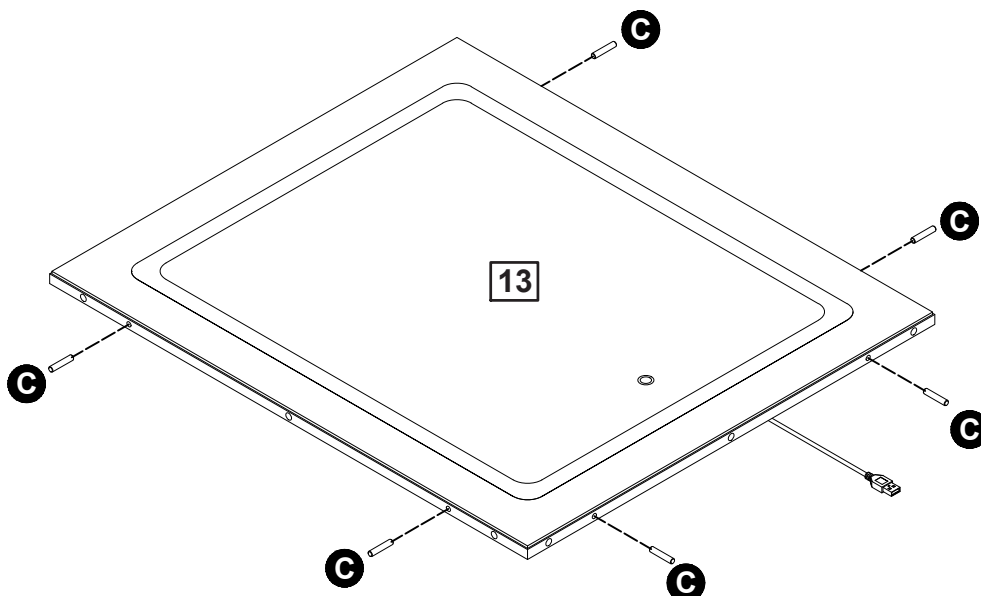
Step 25

B 
B x 6



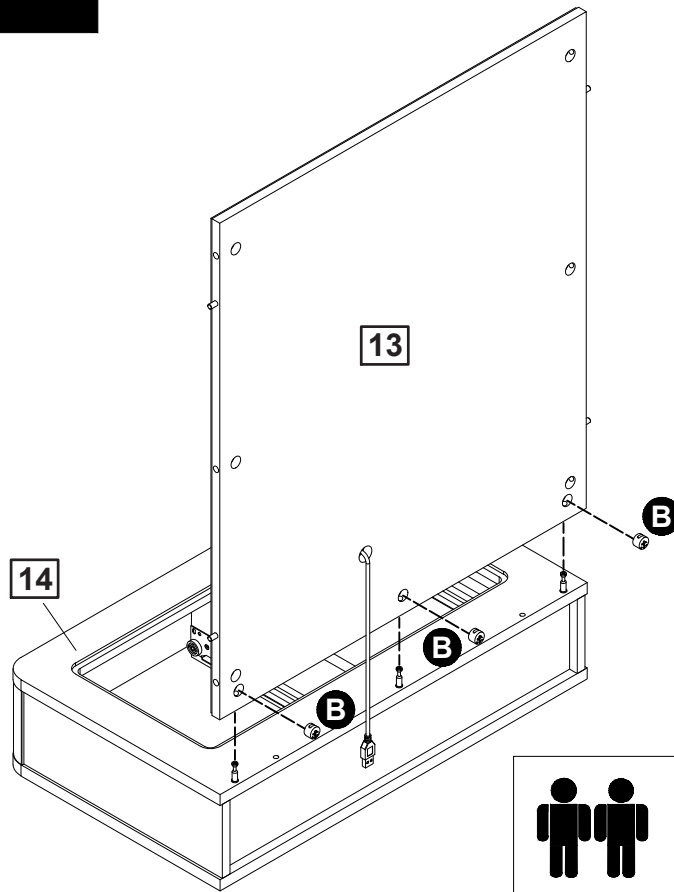
Step 26

C 
C x 6



Assembly Instructions

Step 27

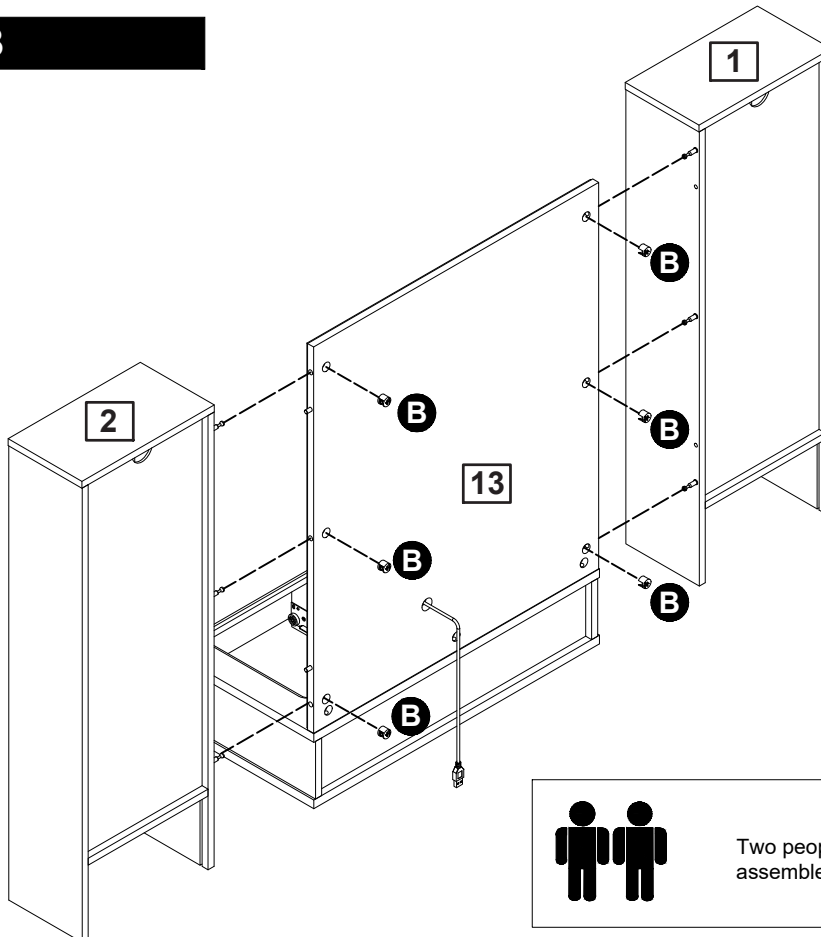


B 
B x 3



Two people are required to assemble and move this model.

Step 28



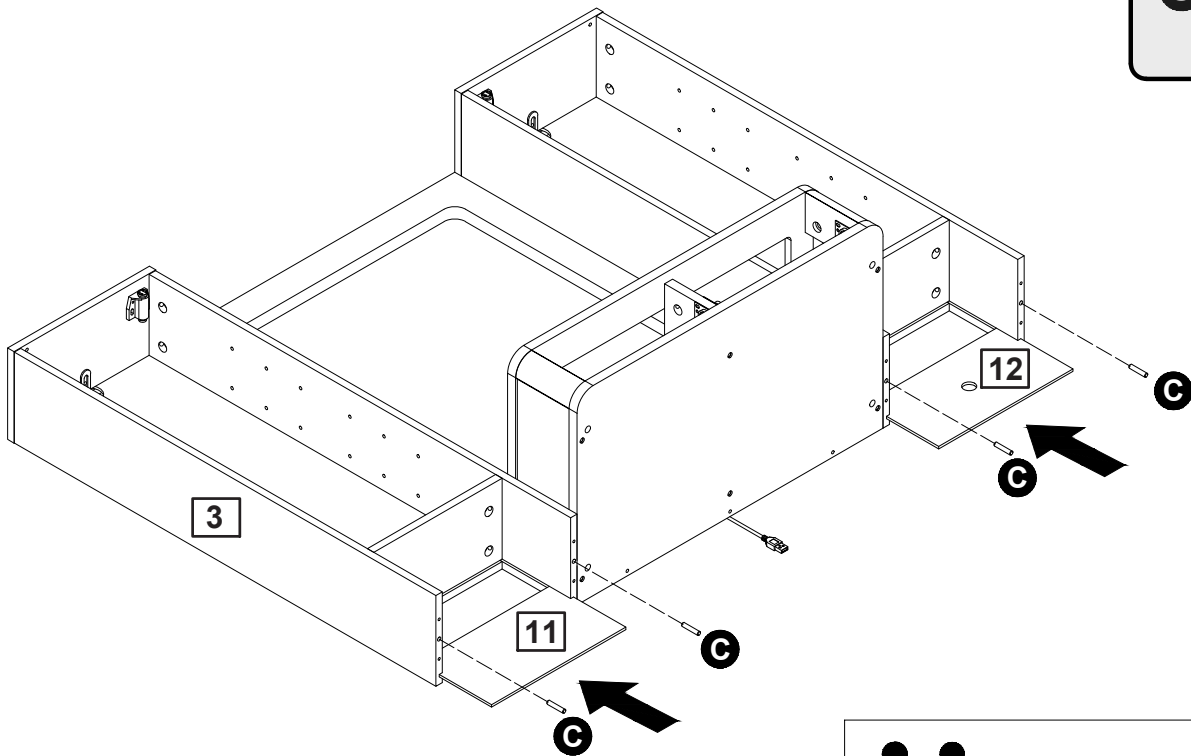
B 
B x 6



Two people are required to assemble and move this model.

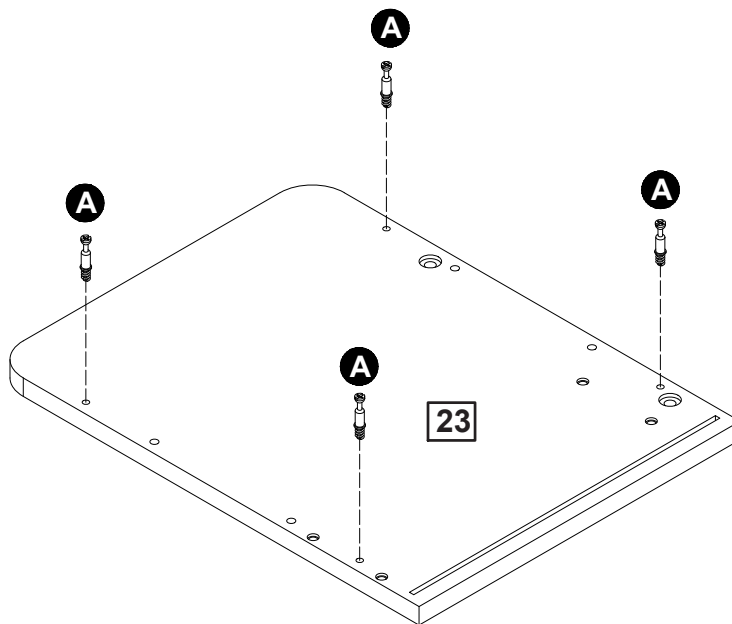
Assembly Instructions

Step 29



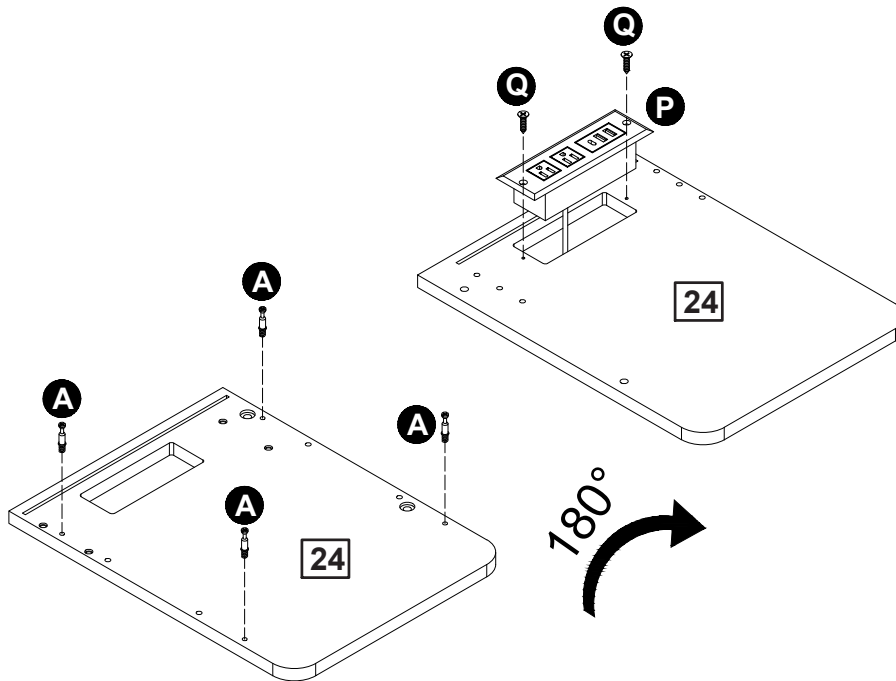
Two people are required to assemble and move this model.

Step 30



Assembly Instructions

Step 31



A x 4

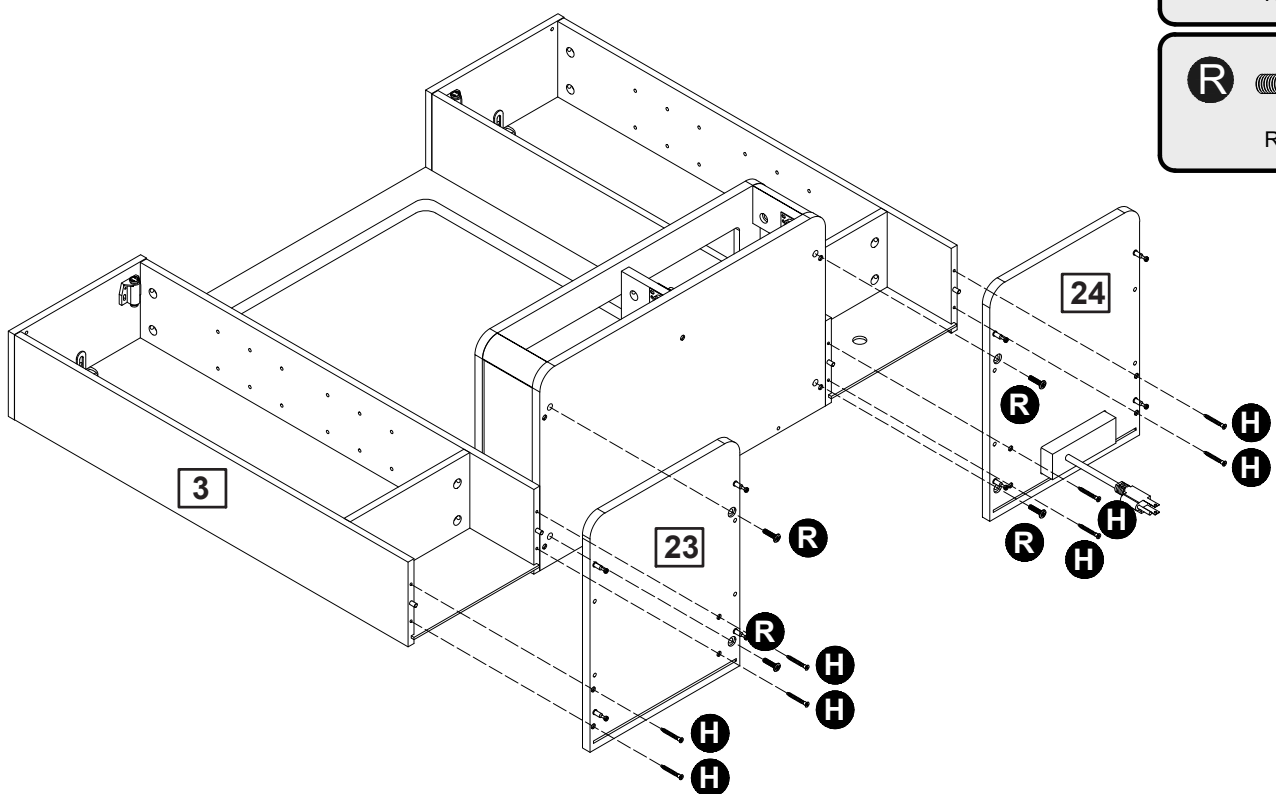


Q x 2



P x 1

Step 32



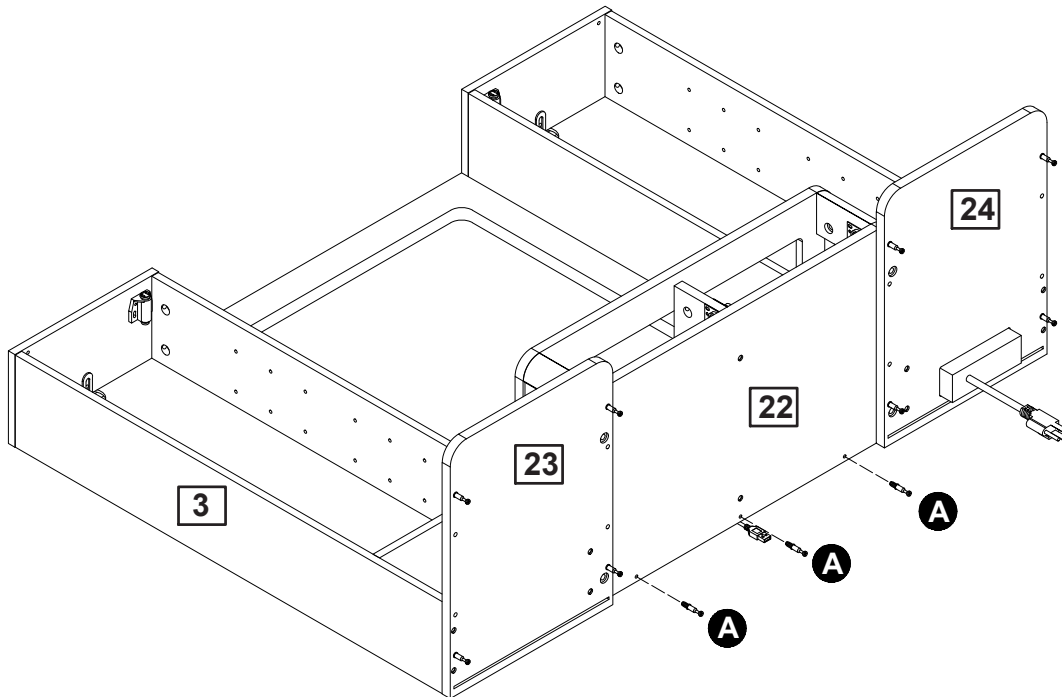
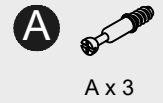
H x 8



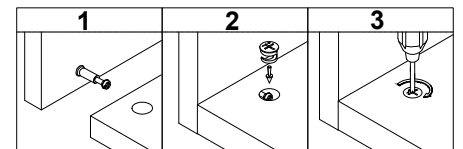
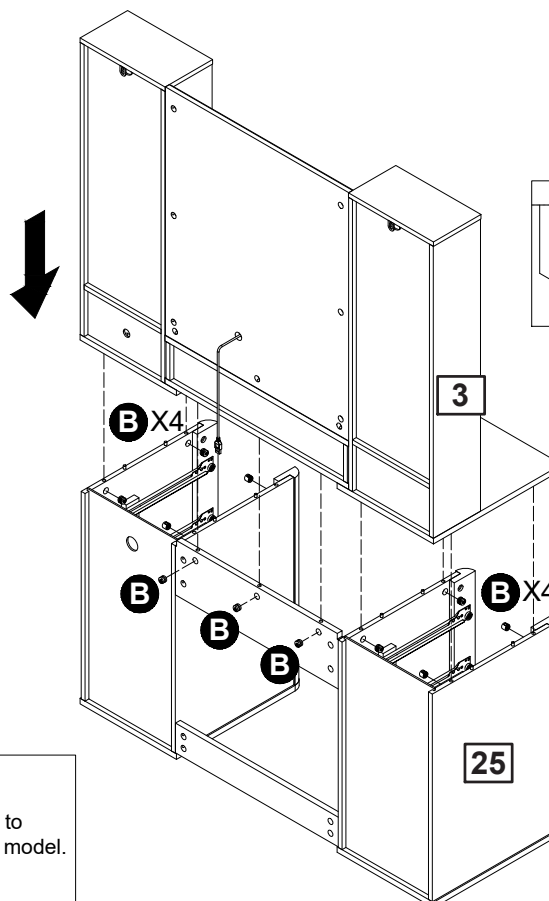
R x 4

Assembly Instructions

Step 33



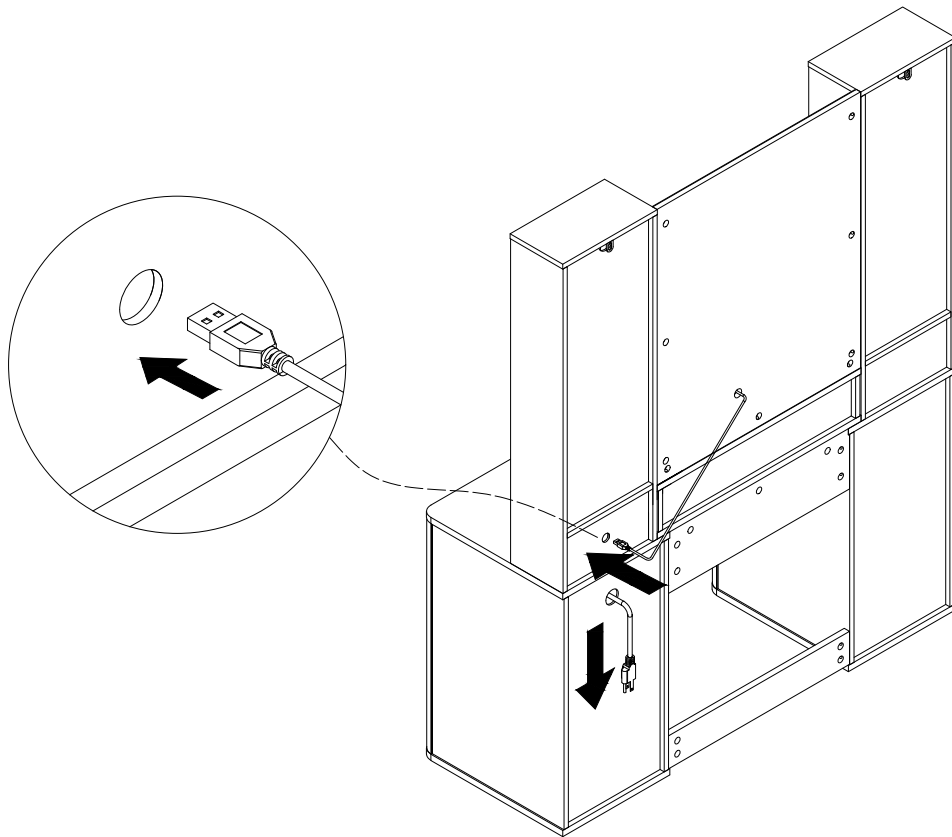
Step 34



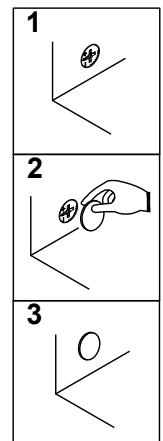
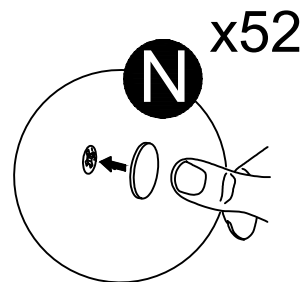
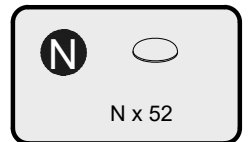
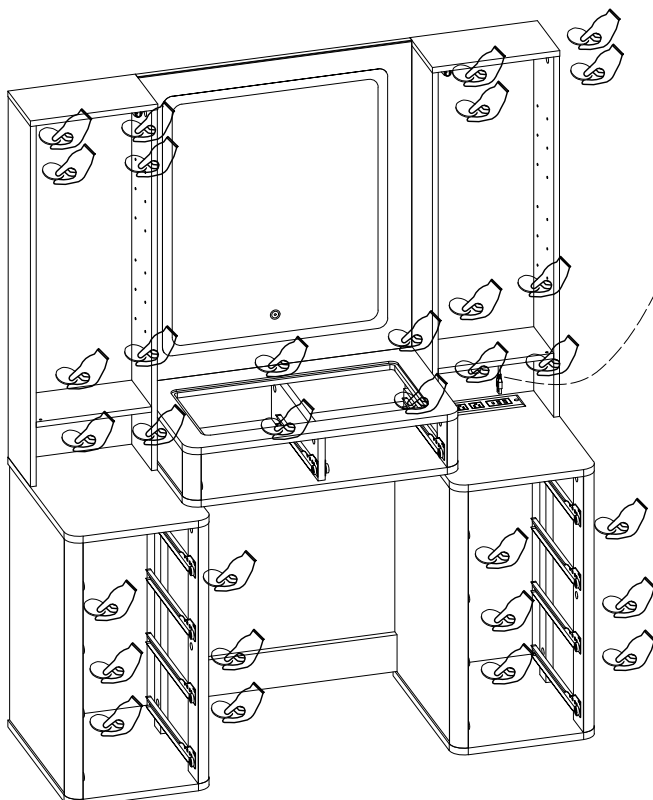
Two people are required to assemble and move this model.

Assembly Instructions

Step 35



Step 36



Assembly Instructions

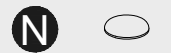
Step 37



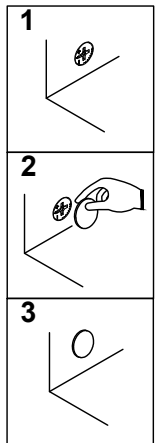
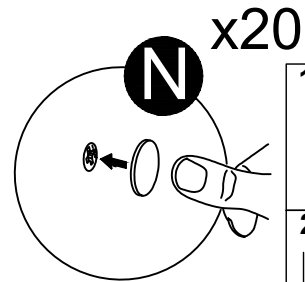
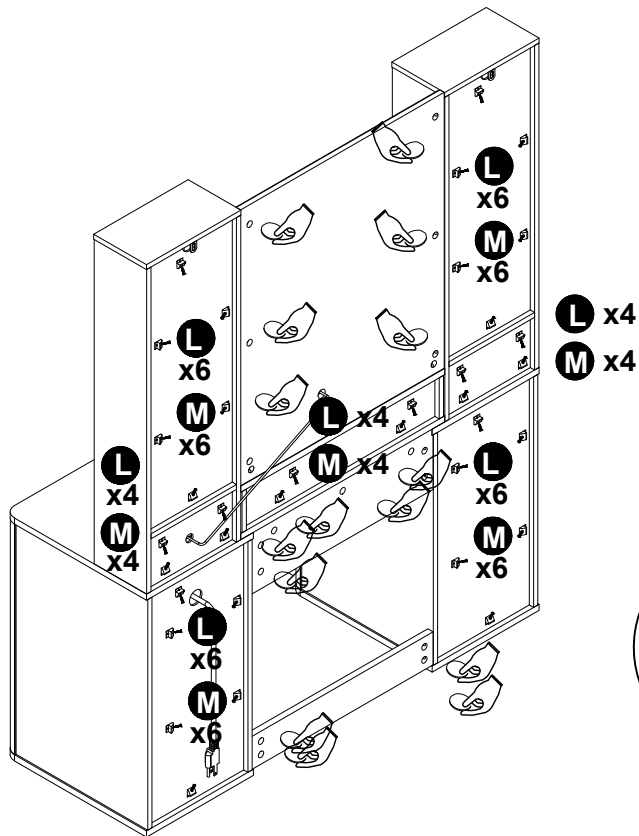
L x 36



M x 36

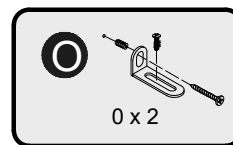


N x 20



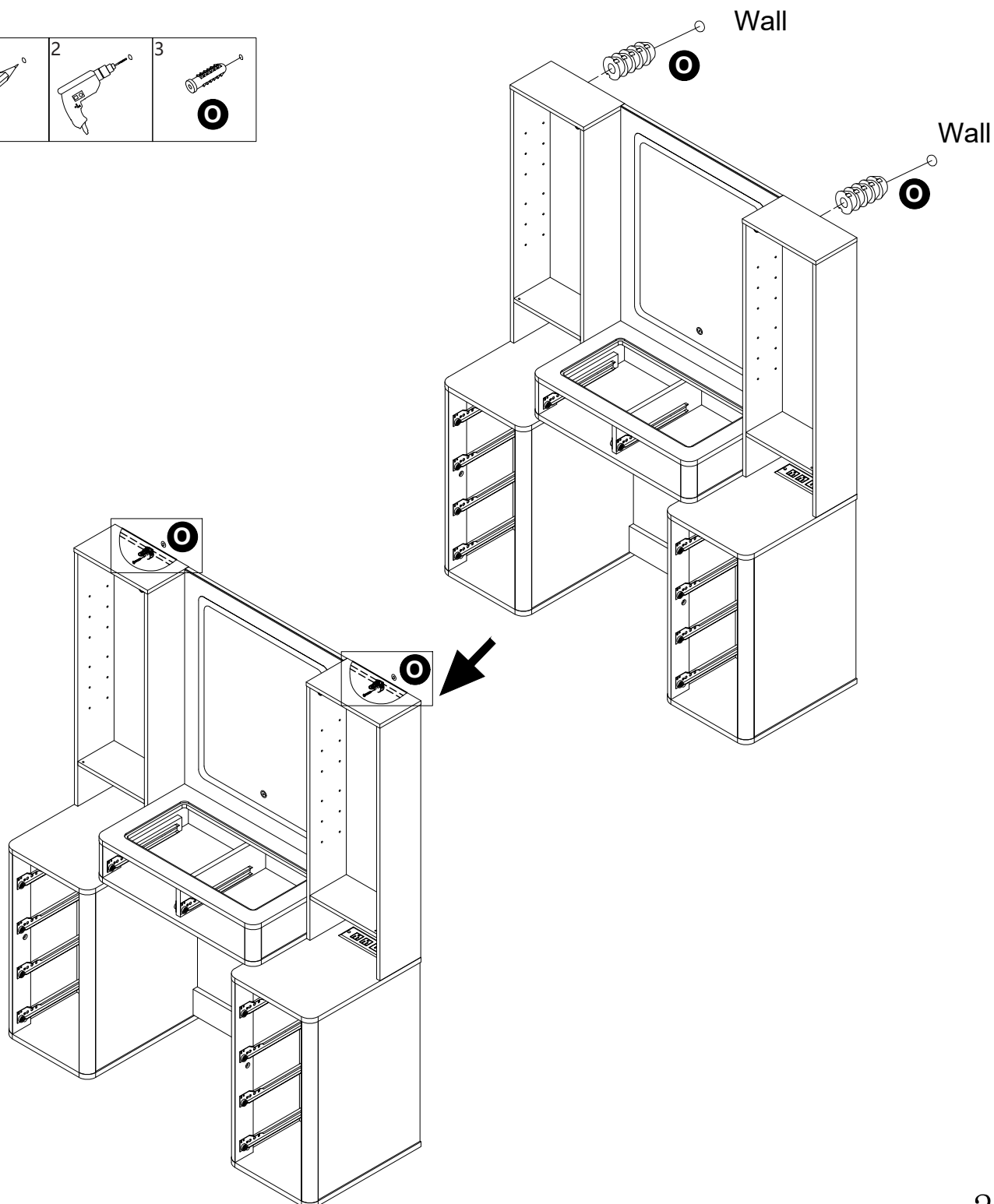
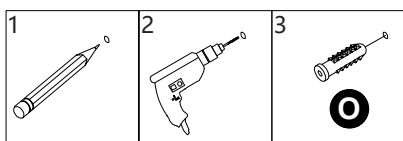
Assembly Instructions

Step 38



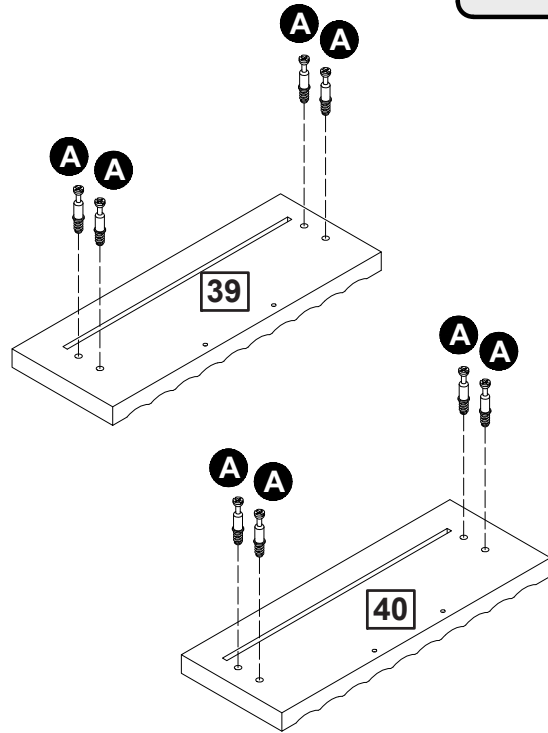
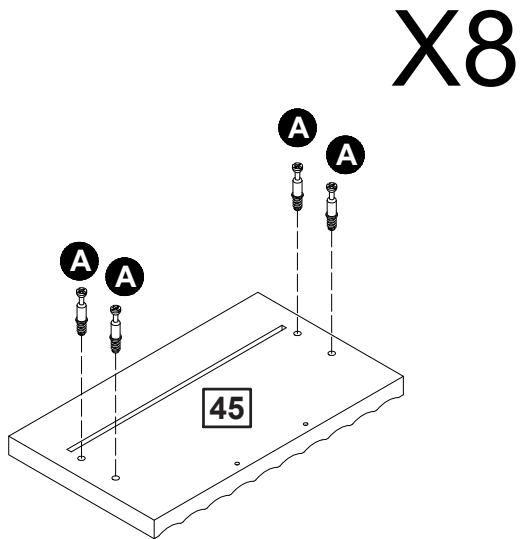
WARNING

Serious or fatal injuries can occur from furniture tipping over. To prevent the furniture from tipping over we recommend that it is permanently fixed to the wall. Wall anchor and hardware are included with this product. Please make sure hardware is suitable for your walls before installing, as different wall materials may require different types of anchors.

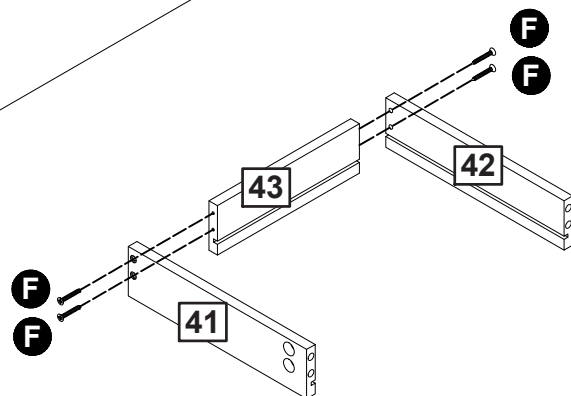
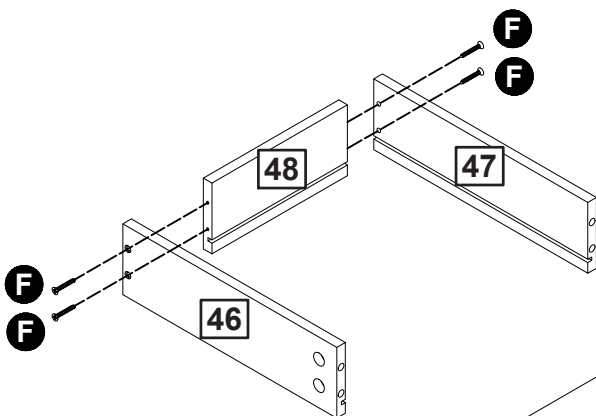


Assembly Instructions

Step 39



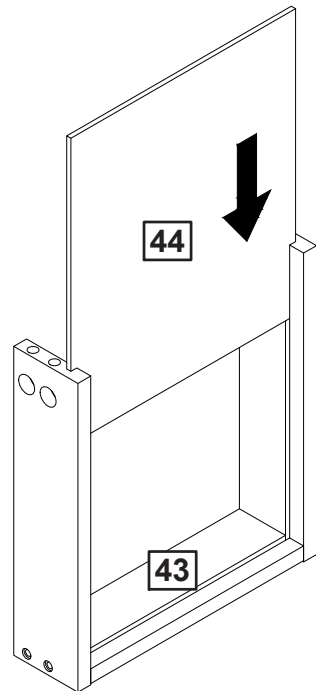
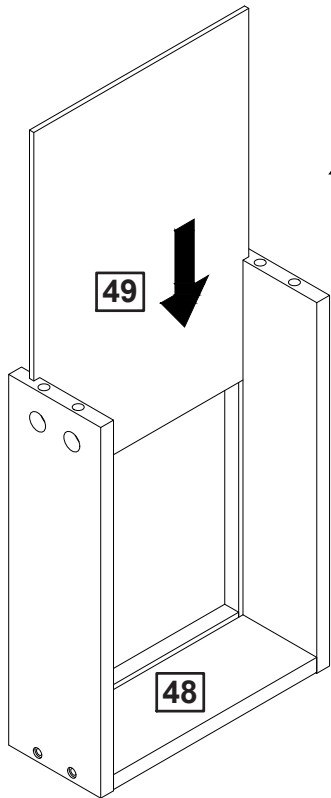
Step 40



X2

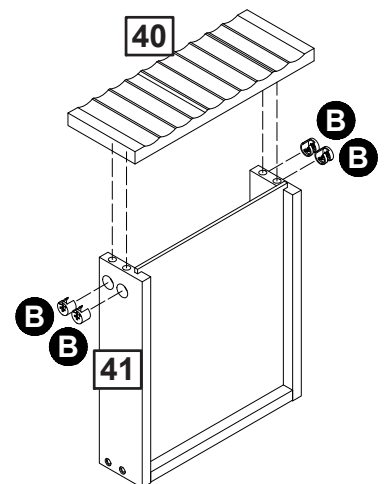
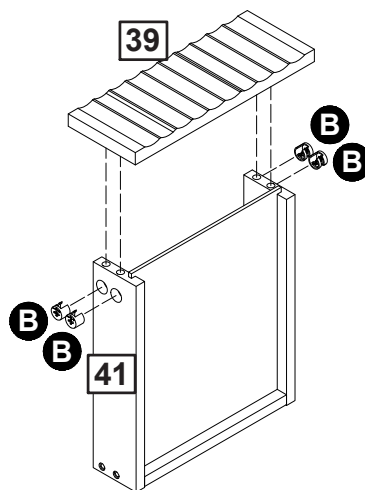
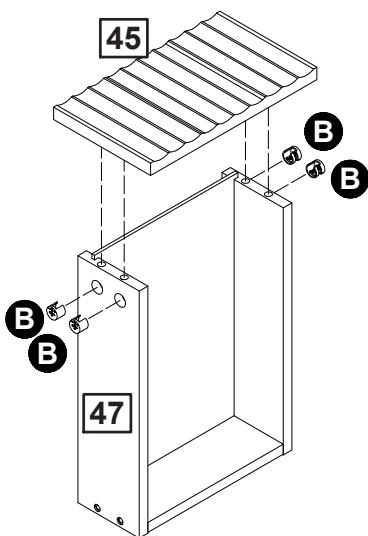
Assembly Instructions

Step 41



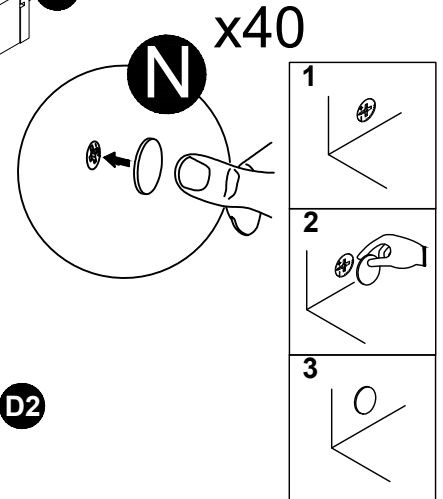
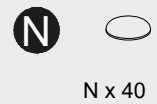
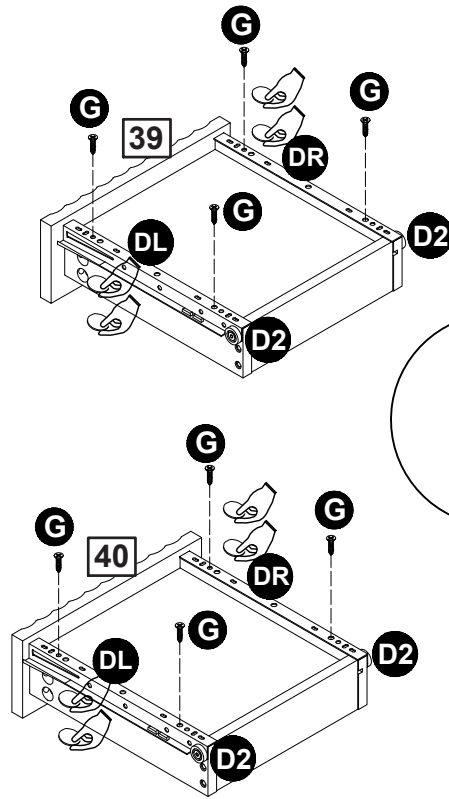
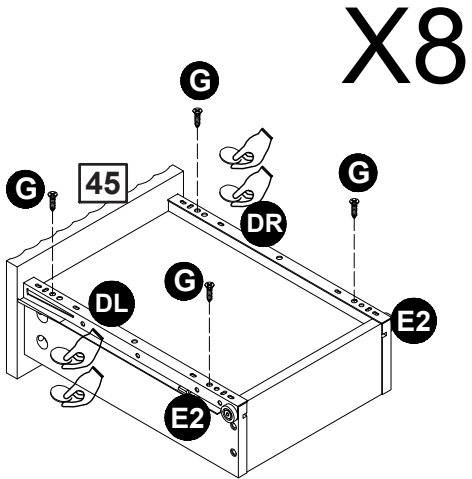
Step 42

B 
B x 40

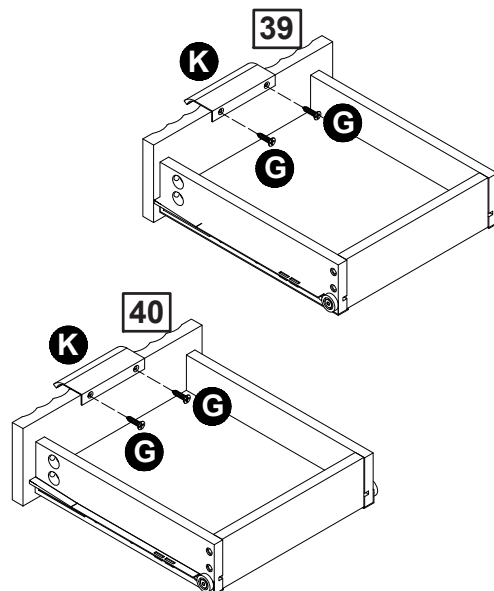
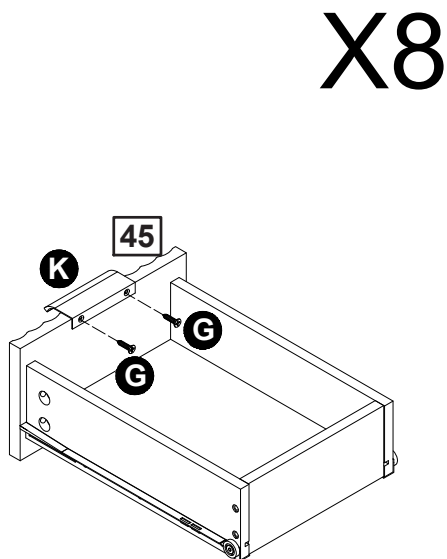


Assembly Instructions

Step 43

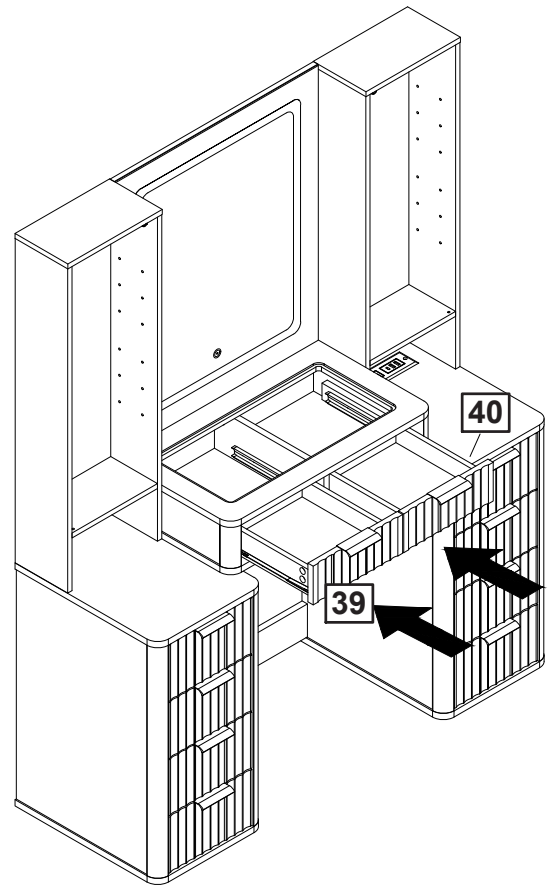
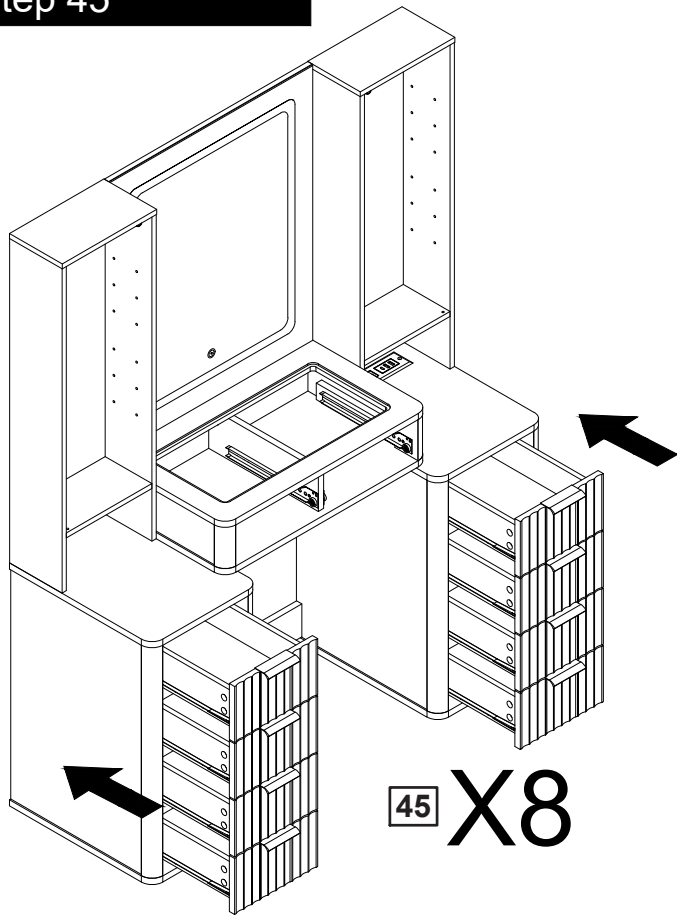


Step 44

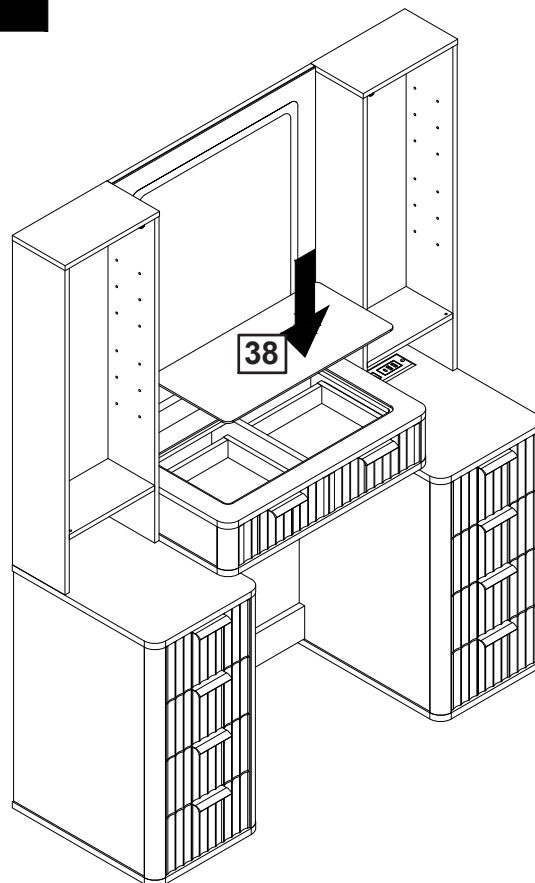


Assembly Instructions

Step 45

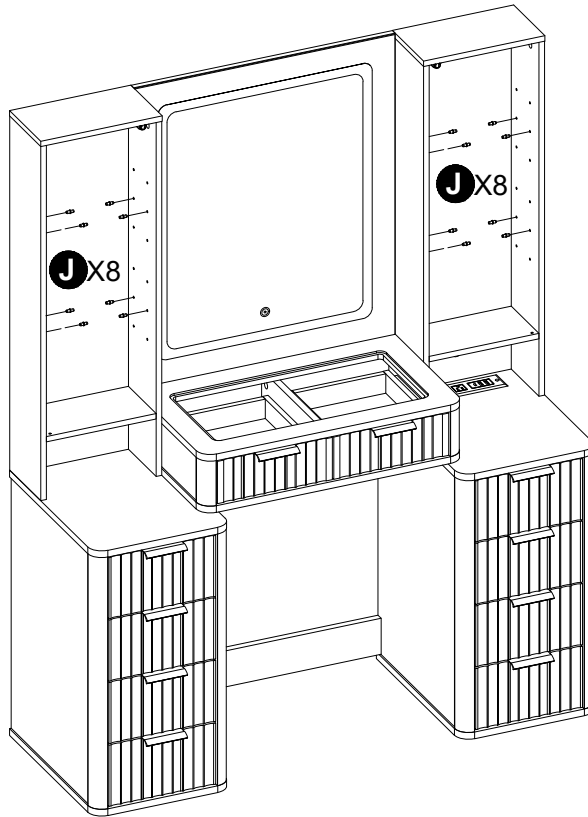


Step 46

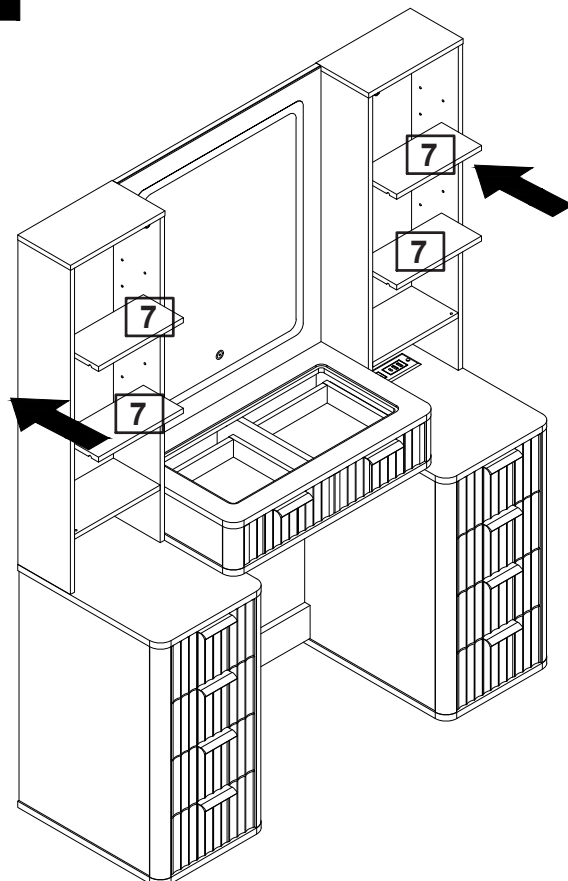


Assembly Instructions

Step 47

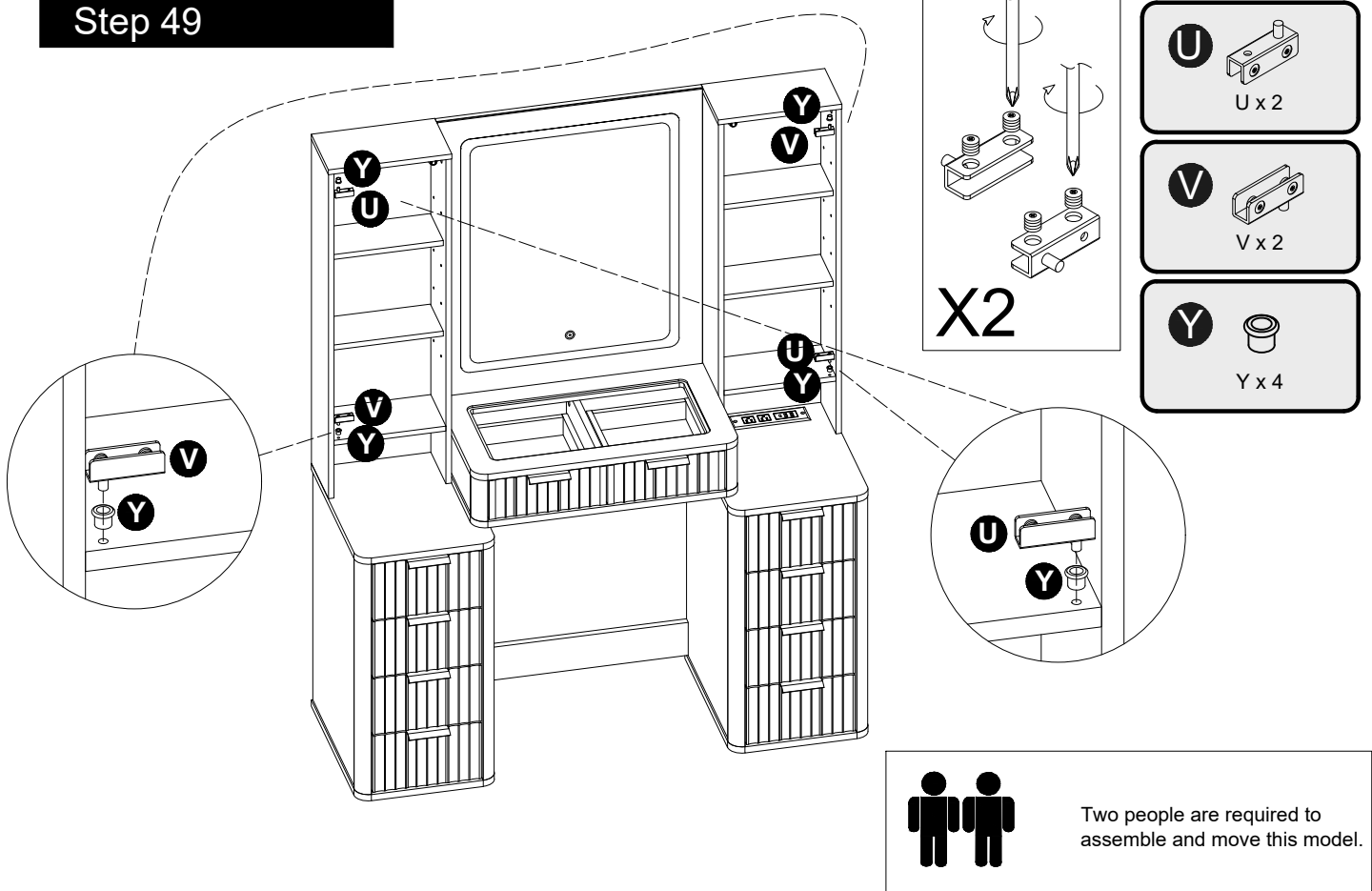


Step 48

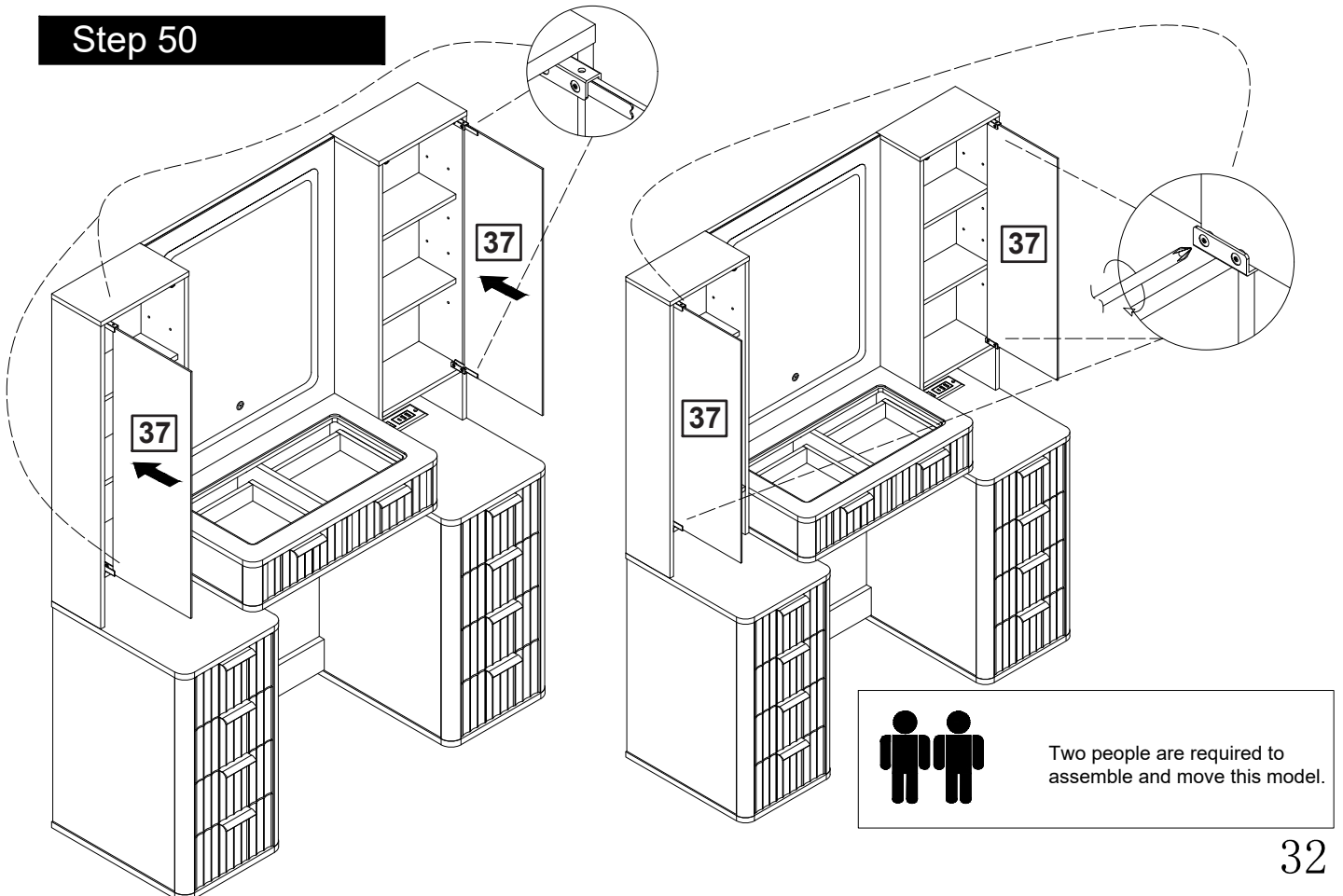


Assembly Instructions

Step 49

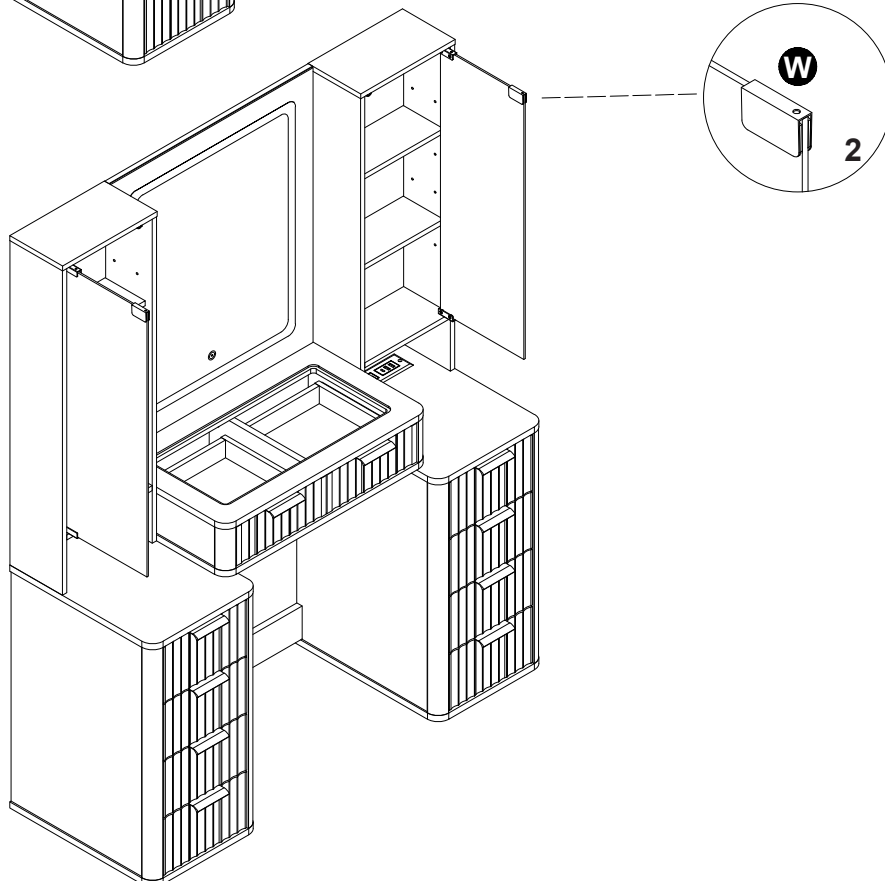
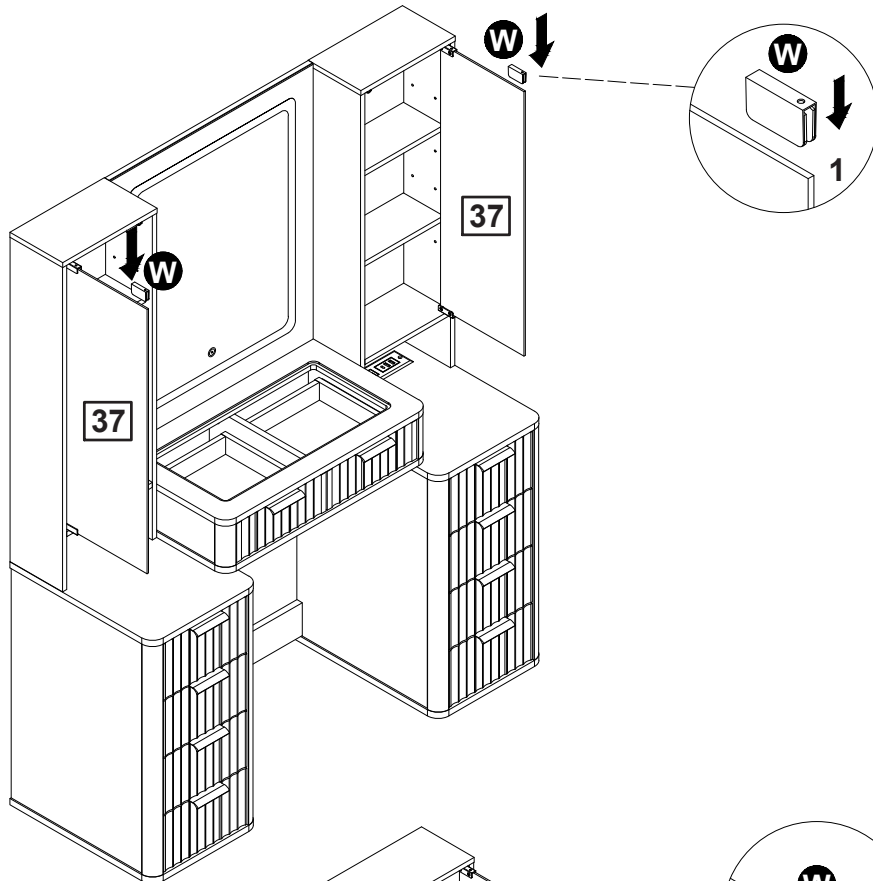


Step 50



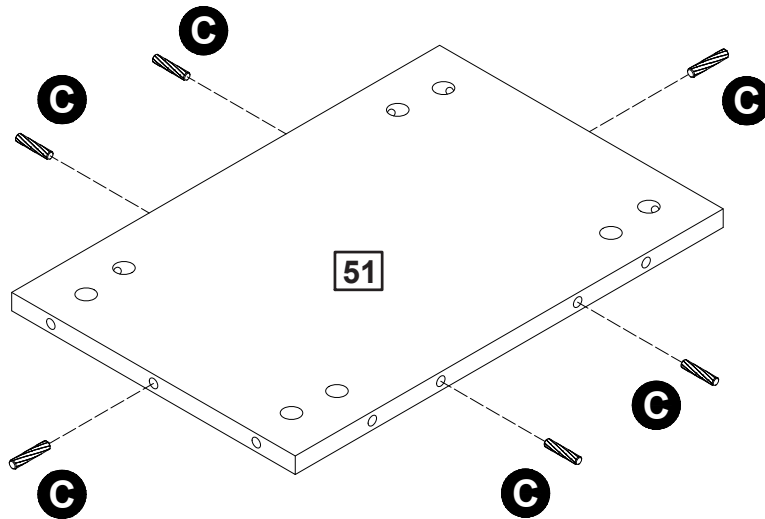
Assembly Instructions

Step 51

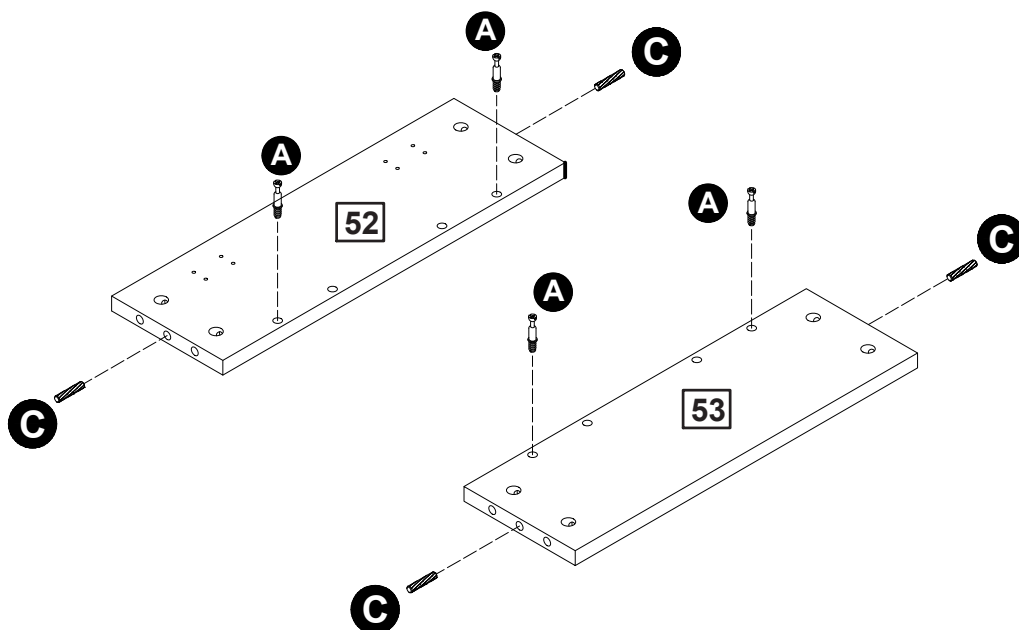


Assembly Instructions

Step 52

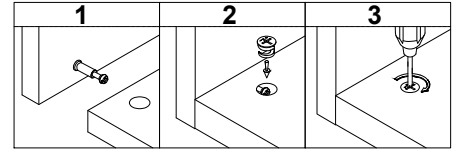
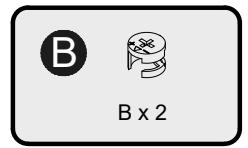
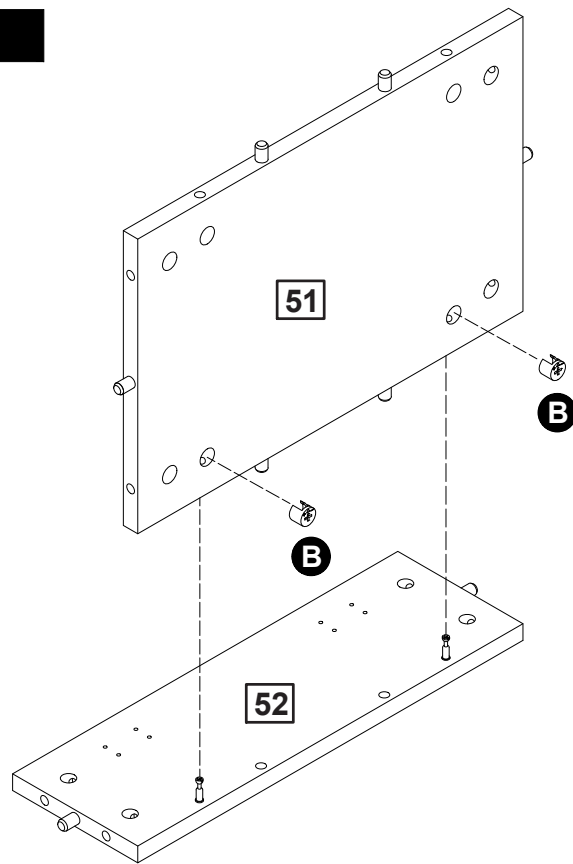


Step 53

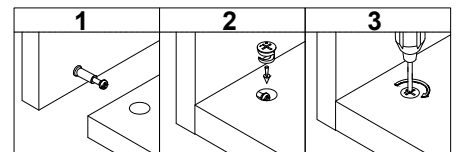
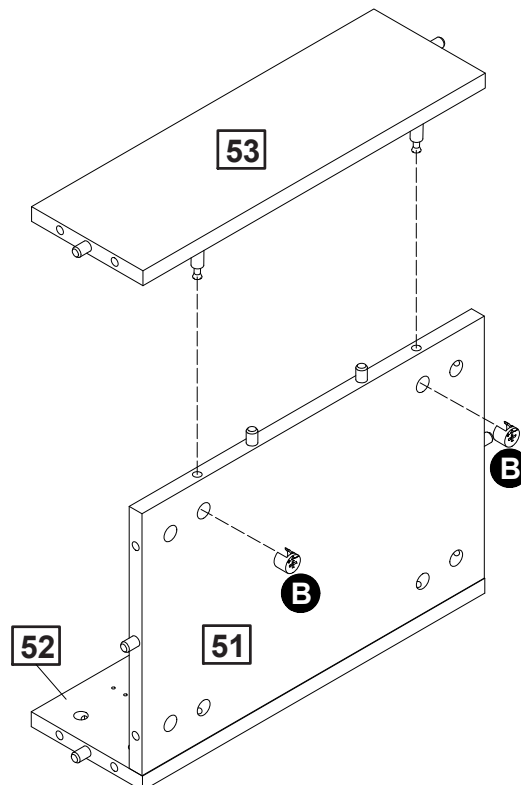


Assembly Instructions

Step 54

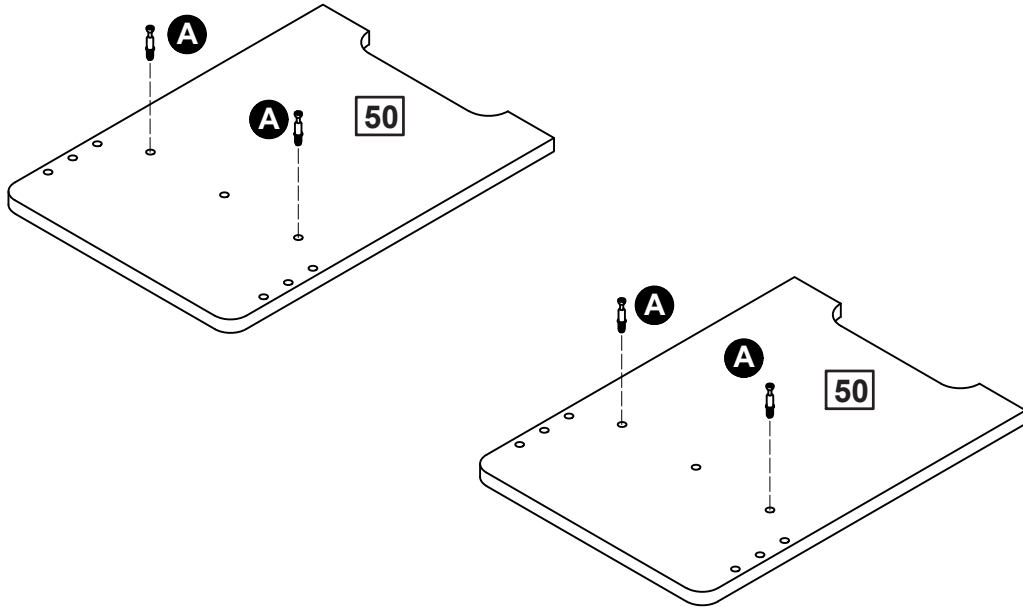


Step 55

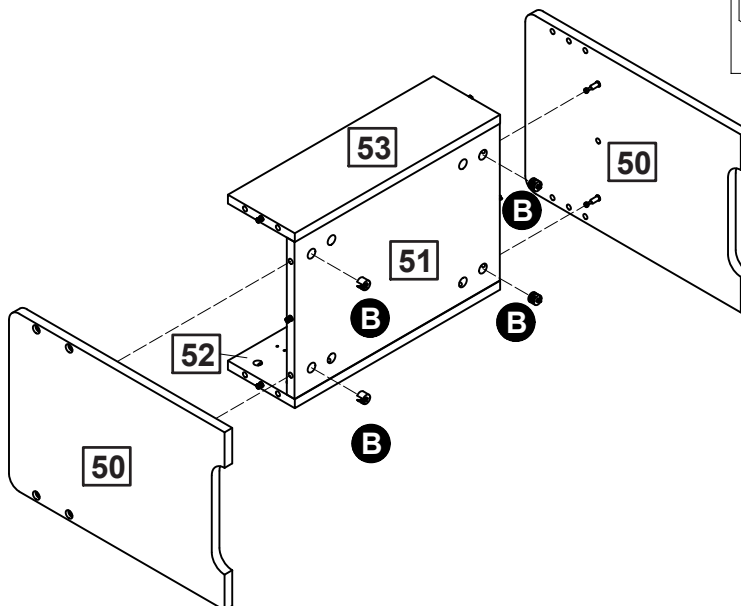
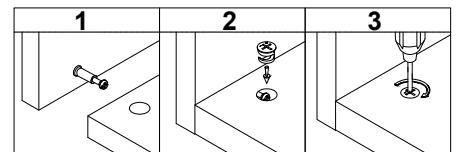


Assembly Instructions

Step 56

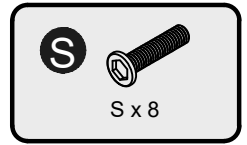
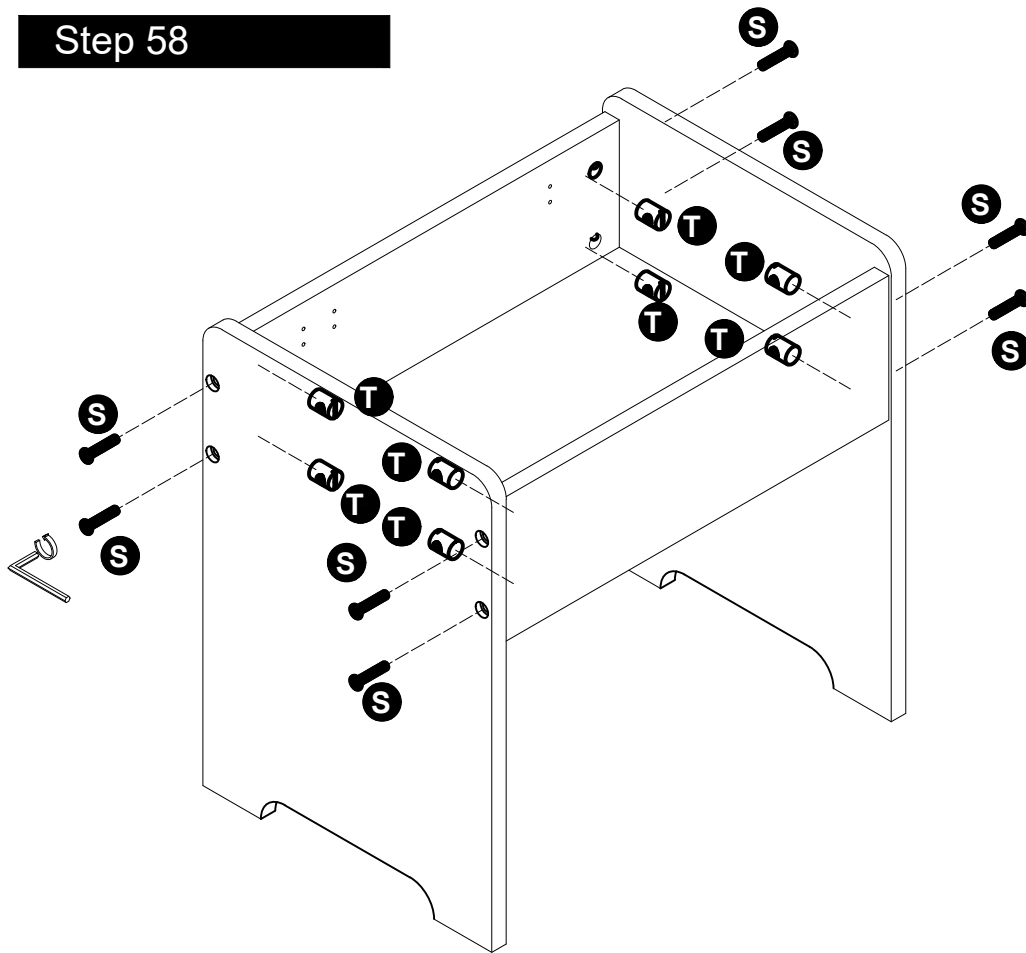


Step 57

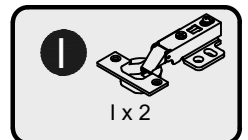
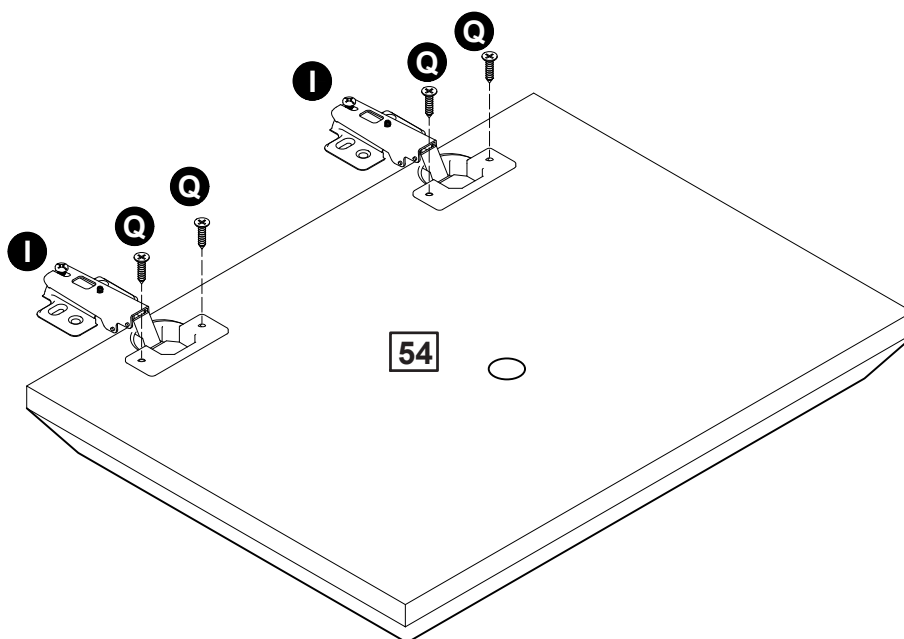


Assembly Instructions

Step 58

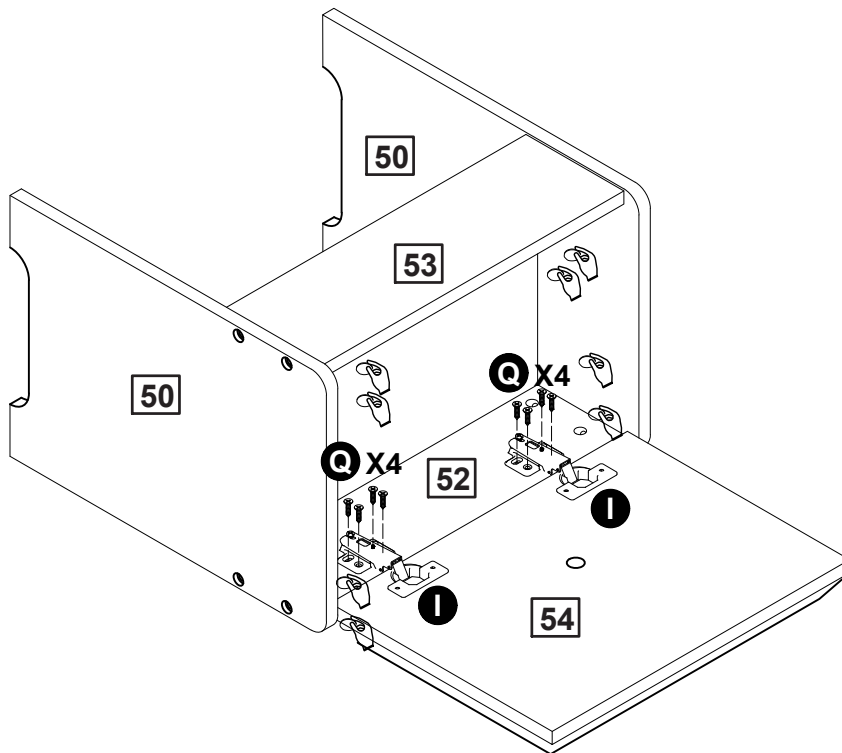
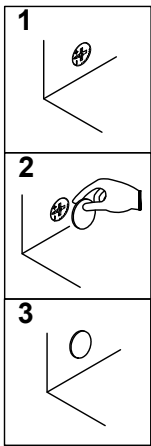
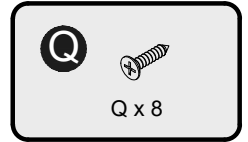
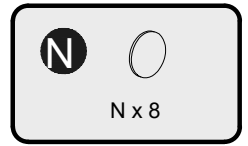
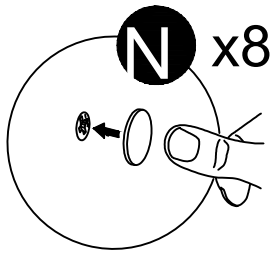


Step 59

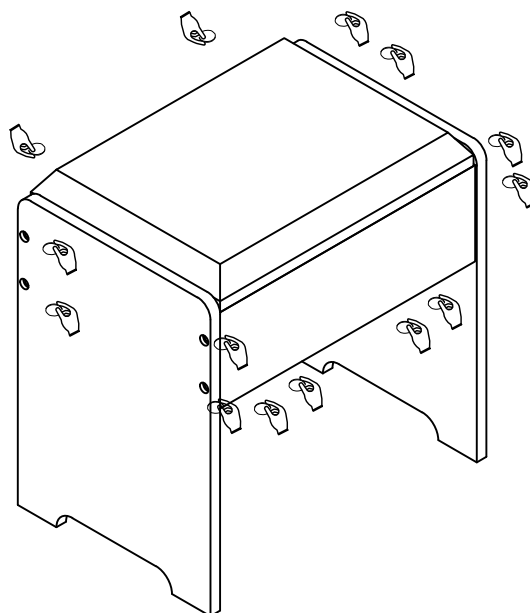
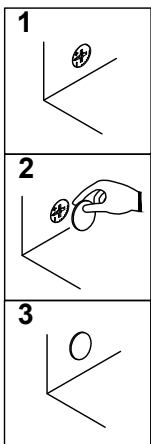
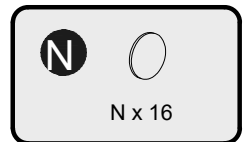
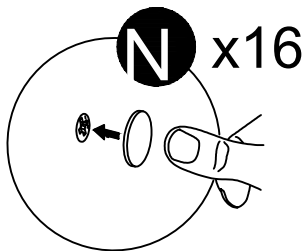


Assembly Instructions

Step 60



Step 61

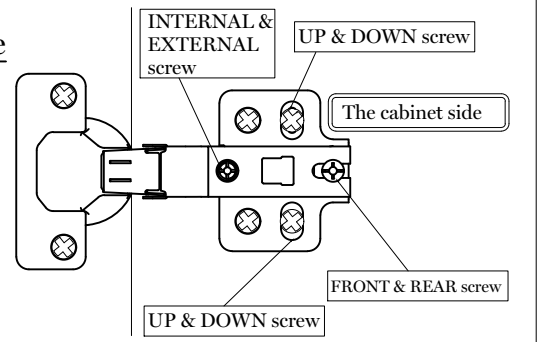


The ways to adjust the door

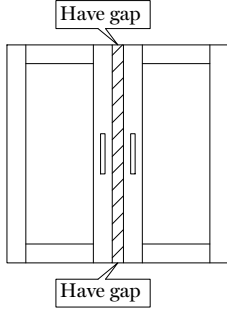
- Before adjusting the hinge, please check whether the cabinet is skewed.
- If the skew can not be repaired, please remove the anti-tipping device first, then adjust the cabinet to vertical position.
- Please adjust the hinge with the door open.
- Please operate it with more than 2 people, one person holds the door and the other one adjusts the screw.

Components Name

The door side

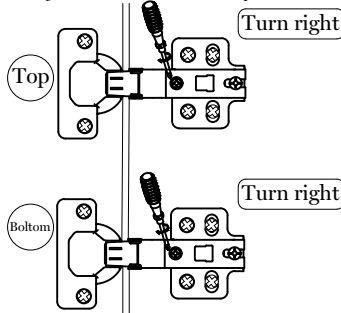


Obvious gaps between doors or Doors don't look closed



- 1 Turn "internal & external screw" to the right can make the door approach inside. Please adjust the doors little by little..

The left door



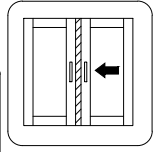
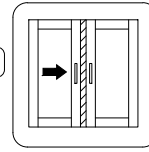
Turn right

Top

Turn right

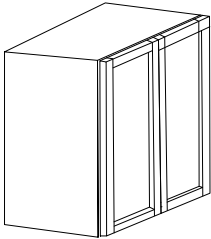
Bottom

The right door



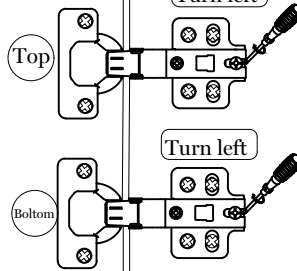
※ If the 2 doors are overlap, please turn the "internal & external screw" to the left.

When door is crooked

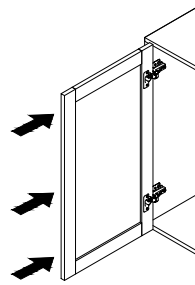


Please take the following steps to adjust first.

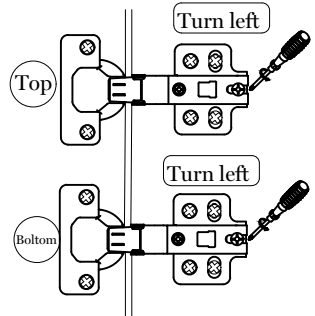
- 1 Rotate the "front and rear screws" to the left



- 2 Push the door to the cabinet

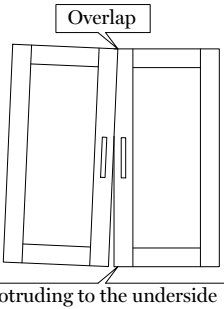


- 3 Rotate the "front and rear screws" to the right

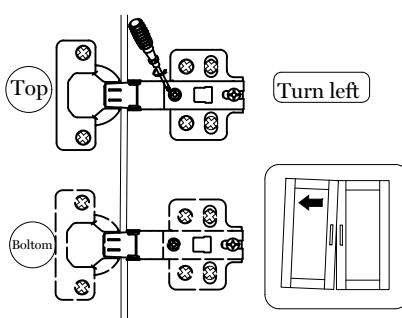


※ After adjusting the "front and rear screw", the door still does not change, please turn the "internal & external screw" to the right Slightly.

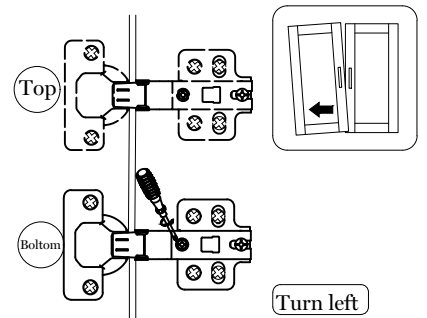
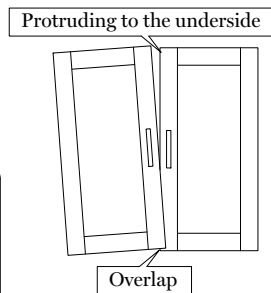
When door is leaning



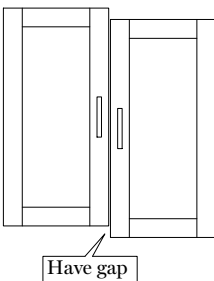
- 1 Turn "internal & external screw" to the left can make the top of the door tilted outward.



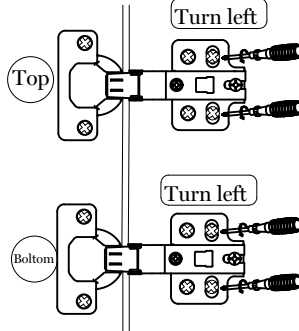
- 1 Turn "internal & external screw" to the left can make the top of the door tilted outward.



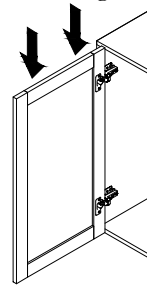
When door is higher on top



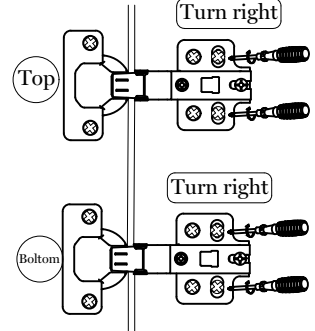
- 1 Turn "up & down screw" to the left



- 2 Lower the door's height so that 2 doors are of the same height.



- 3 Turn "up & down screw" to the right



※ if the door is lower on bottom, please lift up the left door slightly on step 2

A Guide to Wall Mounting & Fixings

Important note:

If plastic wall plugs (rawl plugs) are supplied with your product, e.g.:



- these are only suitable for use in masonry walls.

If you are in any doubt about the correct wall plugs for your wall, seek professional advice.


Failure of the product due to using the incorrect fixings is the responsibility of the installer.



Important: when drilling into walls always check that there are no hidden wires or pipes etc.

Make sure that the screws and wall plugs being used are suitable for supporting your unit. Consult a qualified tradesperson if you are unsure.

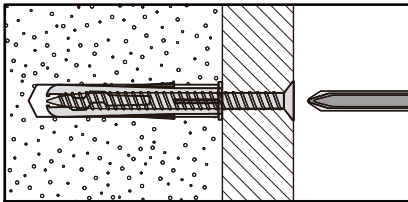
Hints:

- 1: General rule:  always use a larger screw and wall plug if you are not sure.
- 2: Ensure you use the recommended drill bit to match the wall plug and hole size.
- 3: Ensure you drill the hole horizontally; do not force the drill or enlarge the hole.
- 4: Take extra care when drilling high walls, ceilings and ceramic tiles. Ensure wall plugs are inserted beyond the thickness of the ceramic tiles to avoid the tiles splitting or cracking.
- 5: Ensure wall plugs are well fitted and are a tight fit in the drilled hole.

Types of walls

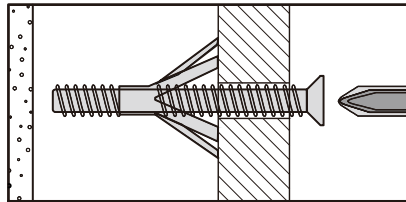
You can use one of the following types of wall plug if your walls are made of brick, breeze block, concrete, stone or wood.

No.1 "General Purpose" wall plug



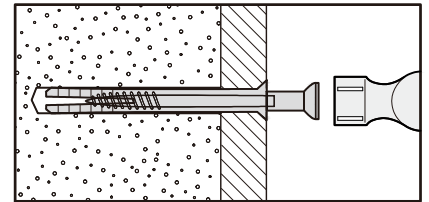
Generally aerated blocks should not be used to support heavy loads, use a specialist fitting in this case. For light loads, general purpose wall plugs can be used.

No.3 "Cavity Fixing" wall plug



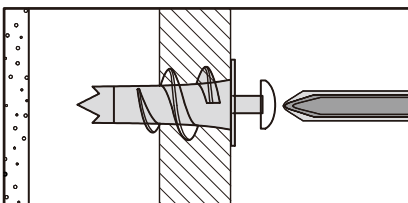
For use with plasterboard partitions or hollow wooden doors.

No.5 "Hammer Fixing" wall plug



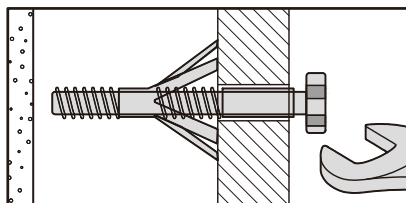
For use with walls stuck with plasterboard. The hammer fixing allows it to be fixed to the wall rather than the plasterboard. Always check the fixing is secure to the retaining wall.

No.2 "Plasterboard" wall plug



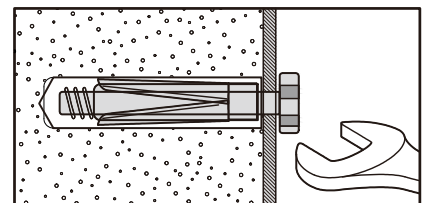
For use when attaching light loads onto plasterboard partitions.

No.4 "Cavity Fixing - Heavy Duty" wall plug



For use when fitting or supporting heavy loads such as shelving, wall cabinets and coat racks.

No.6 "Shield Anchor" wall plug - heavy loads



For use with heavier loads such as TV and HiFi speakers and satellite dishes etc.



Care & Maintenance

Safety: always check the fitting and location to ensure your safety in and around the home.

Fitting: from time to time check the fitting to ensure the wall plugs or screws do not become loose.