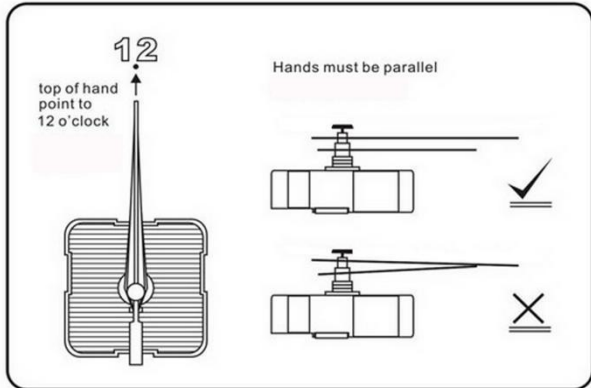
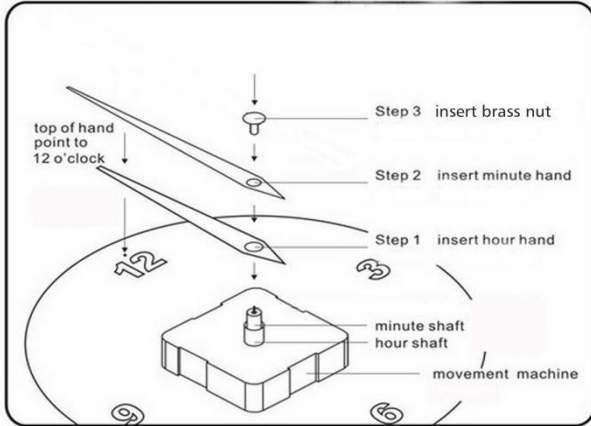


# Instruction Manual



## Steps of install-----

- ▲ Place the hand shaft of the movement into the rear of the clock dial.
- ▲ Add the brass washer to the hand shaft and secure with the hex nut.
- ▲ Place the hour hand and then minute hand onto the hand shaft.
- ▲ Lastly secure the brass nut to the front.
- ▲ Turn the red handing setting knob on the back of motor to set the time.
- ▲ Insert AA battery (Carbon Zinc is the best).

## Parts included (all are installable)



A. Motor



E. Hour hand and Minute hand



B. Brass nut



C. Brass hex nut



D. Brass washer

Congratulations on your purchase of our large metal wall clocks that complement any room with the industrial look and functional features!

**Important:** For our clocks the clocks hands and motor are easy to install or remove by hands. In order to make your clock in perfect condition please read the user manual thoroughly before using.

**Manual setting:** please make sure you turn the red hand setting knob on the motor to adjust the time. Don't use your fingers to move the clock hands directly as it will be damaged.

### What could I do if the clocks don't work or clock hands loose?

**Please follow the instructions to check and install----**

1. Insert the battery in correct position according to (+) and (-)making in the battery compartment. The clock will not work if you put it by contrary. Note: Carbon Zinc battery is the best to make sure its long time using.
2. Make sure the two clocks hands are parallel on the clock face. If the clocks hands are a bit bend or overlapping, please make them flat again and re-install both.
3. During shipping the clocks hands may be a bit loose or droop which may effect the clock work. Don't worry it is not quality problem just need you remove all the parts as we showed, and re-install it to make everything perfect.
4. If the clock still can't work please turn the brass nut several times,pull out and then insert again to re-start the clock.

### **WARM TIPS: THE STRONG SUPPORT FROM US---**

Any damages from clock motor or clock hands which make the clock doesn't work, please feel free to mail us though message center we will send new replacement set for your clock.

Don't hesitate to tell us any problems of your clock we are ready to offer the best products for you!