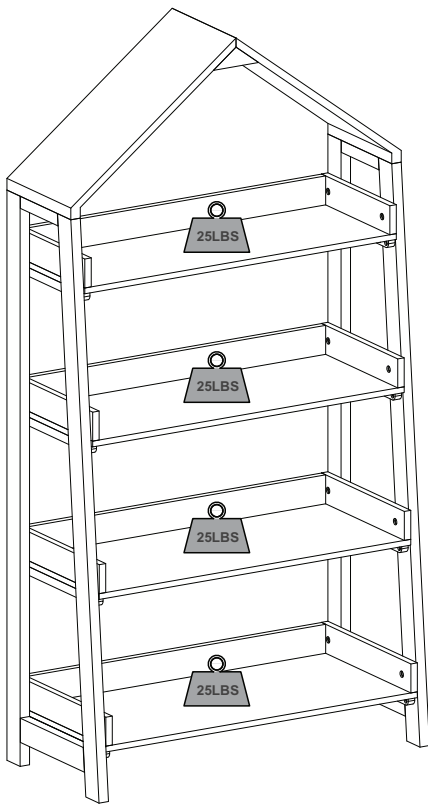


Thank you for your purchase!



# House-Shaped Bookshelf

## ASSEMBLY INSTRUCTIONS

**Before You Begin:** A power drill and Phillips screwdriver are required for assembly (Not Included).

Please identify all component parts and hardware pieces required before you begin. Carefully remove all of the components from the packaging and set aside for assembly. Assemble on a soft surface to prevent scratching during assembly.

Caution:

Tighten all components securely before use. Failure to do so may result in personal injury.

DO NOT use any sharp objects to open plastic wrapped components as damage to product or components may result.

**Warning:**

**CHOKING HAZARD - Small Parts.** Adult Assembly Required.

### DO NOT ALLOW CHILDREN TO CLIMB ON FURNITURE

Serious or fatal injuries can occur from furniture tipping over. You must install Tipping Restraint Hardware (where included) to help prevent the unit from tipping and causing accidental injury, instability, death or damage. The tipping restraint is intended only as a safety measure, it is not a substitute for proper adult supervision.

To help prevent furniture from tipping over it must be permanently attached to the wall. Anti-Tip Safety Wall Straps suitable for the unit weight and wall materials (if not included) should be purchased and installed.

## EVERY PRODUCT



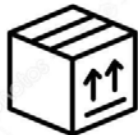
Quality &  
Durability Tested



Packaged  
with Care



Shipped from  
our U.S. Facility



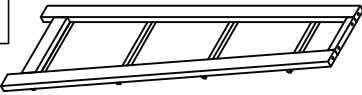
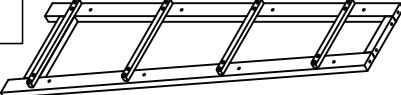

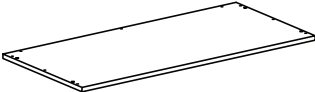
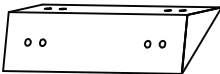
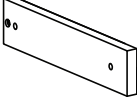
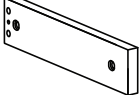


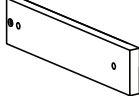
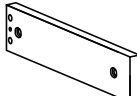
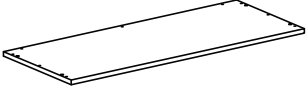
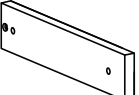
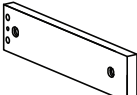
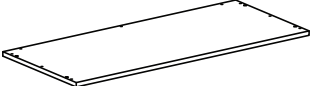
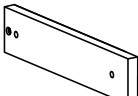
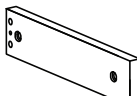
Designed  
for Easy  
Assembly



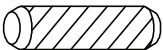
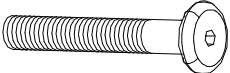
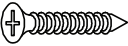

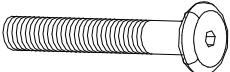
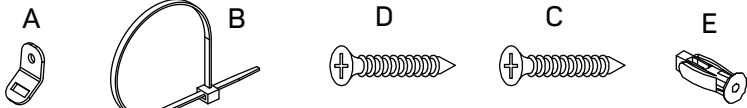
Ethically  
Sourced

**Read this manual before using this product. Failure to follow the instructions and safety precautions in this manual can result in serious injury or death. Keep this manual in a safe location for future reference.**

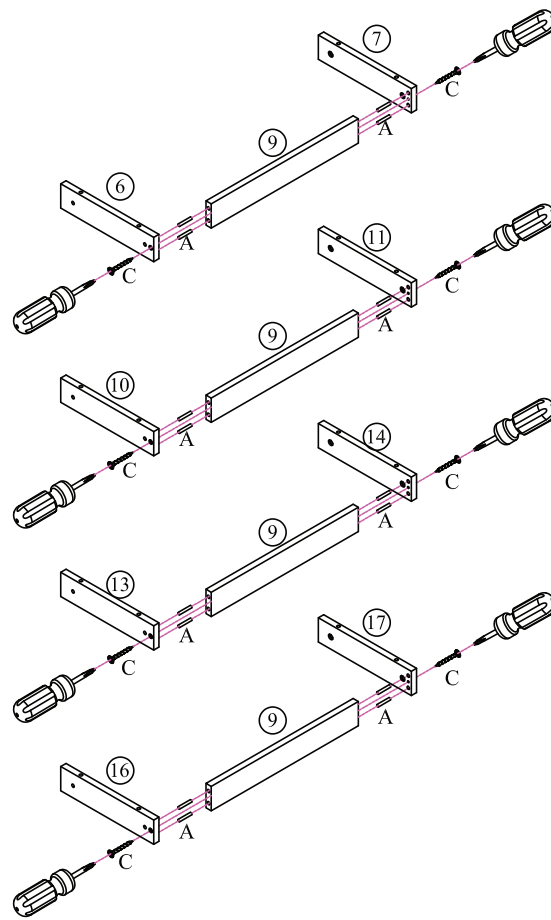
**PARTS**



<p><b>1</b></p>  <p>Left Side Frame - 1pc</p>	<p><b>2</b></p>  <p>Right Side Frame - 1pc</p>	<p><b>3</b></p>  <p>Roof Plank - 2pcs</p>
<p><b>4</b></p>  <p>Bottom Shelf - 1pc</p>	<p><b>5</b></p>  <p>Roof Link Joint - 1pc</p>	<p><b>6</b></p>  <p>Top Shelf Left Border - 1pc</p>
<p><b>7</b></p>  <p>Top Shelf Right Border - 1pc</p>	<p><b>8</b></p>  <p>Top Shelf - 1pc</p>	<p><b>9</b></p>  <p>Rear Shelf Border - 4pcs</p>
<p><b>10</b></p>  <p>Upper Middle Shelf Left Border - 1pc</p>	<p><b>11</b></p>  <p>Upper Middle Shelf Right Border - 1pc</p>	<p><b>12</b></p>  <p>Upper Middle Shelf - 1pc</p>
<p><b>13</b></p>  <p>Lower Middle Shelf Left Border - 1pc</p>	<p><b>14</b></p>  <p>Lower Middle Shelf Right Border - 1pc</p>	<p><b>15</b></p>  <p>Lower Middle Shelf - 1pc</p>
<p><b>16</b></p>  <p>Bottom Shelf Left Border - 1pc</p>	<p><b>17</b></p>  <p>Bottom Shelf Right Border - 1pc</p>	

**HARDWARE**

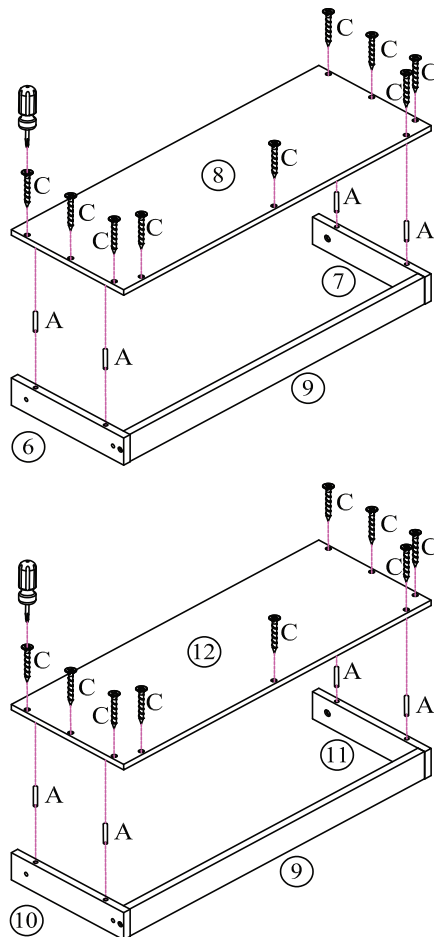
<p><b>A</b></p>  <p>5/16"x 1" Wood Dowel - 40pcs</p>	<p><b>B</b></p>  <p>1/4"x 1" Hex Head Bolts - 20pcs</p>	<p><b>C</b></p>  <p>5/32"x 1-3/16" Screw-44pcs</p>	<p><b>D</b></p>  <p>Allen Key - 1pc</p>
<p><b>E</b></p>  <p>1/4"x 1-9/16" Hex Head Bolts - 4pcs</p>	<p><b>F</b></p>  <p>A: 2pcs, B: 1pc, D: 19/32" 1pc, C: 1-3/8" 1pc, E: 1pc</p> <p>Anti-Tipping Set-1pc</p>		



STEP 1



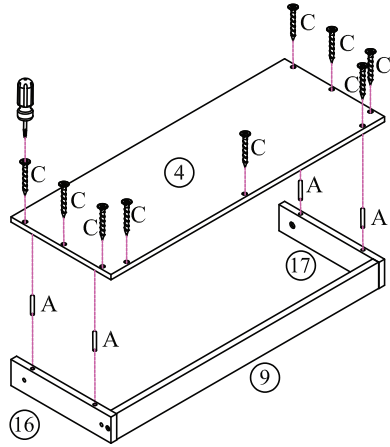
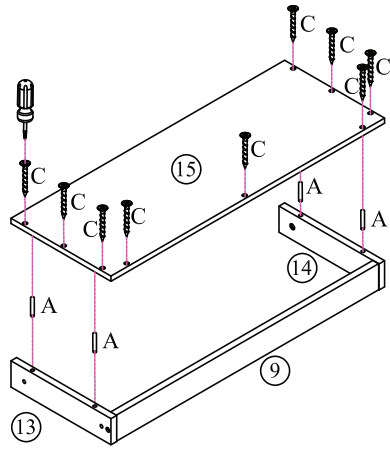
<p><b>A</b></p> 	<p><b>C</b></p> 
<p>16PCS</p>	<p>8PCS</p>



STEP 2



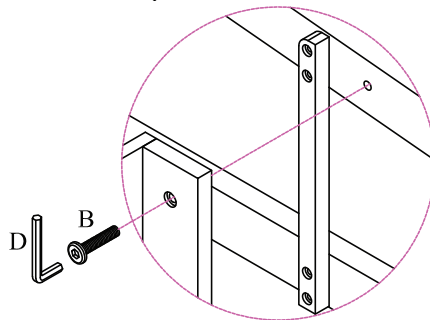
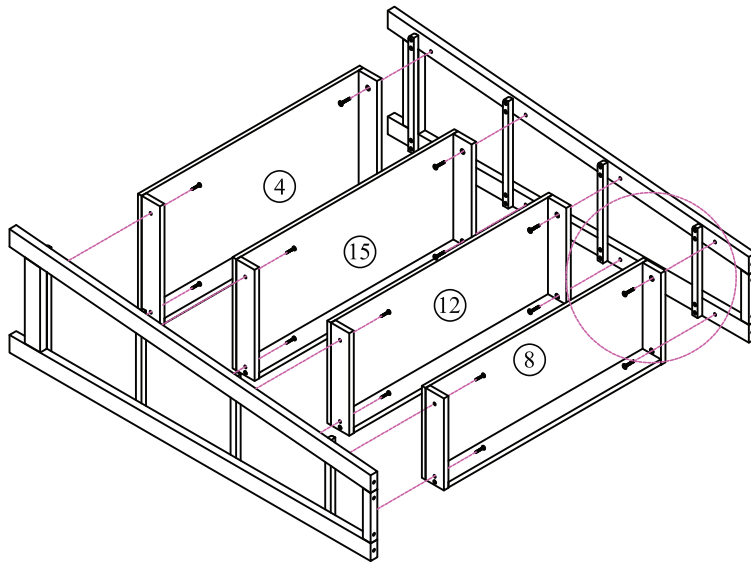
<p><b>A</b></p> 	<p><b>C</b></p> 
<p>8PCS</p>	<p>18PCS</p>

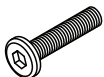
STEP 3



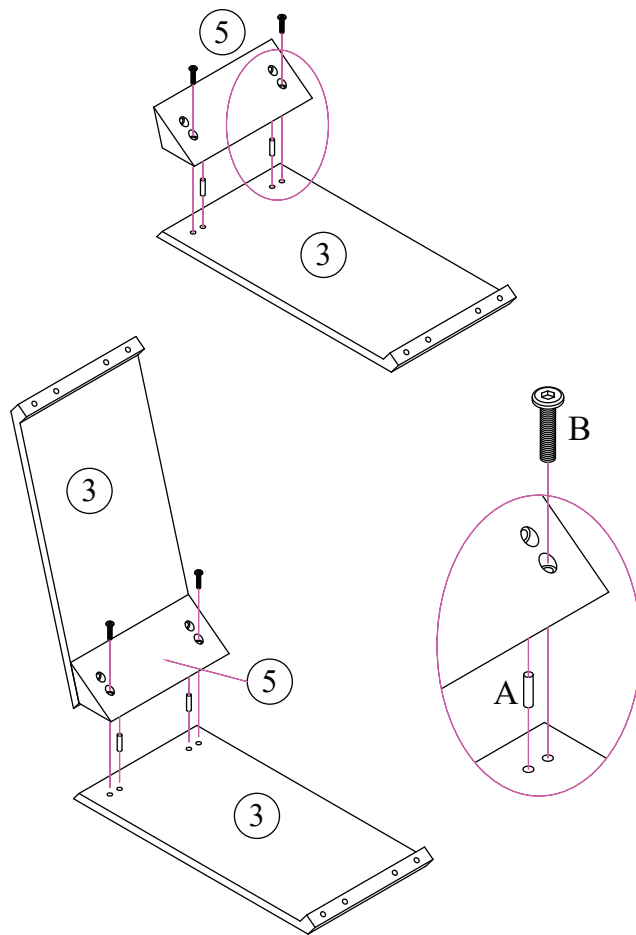
<p><b>A</b></p> 	<p><b>C</b></p> 
<p>8PCS</p>	<p>18PCS</p>

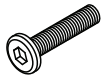

STEP 4



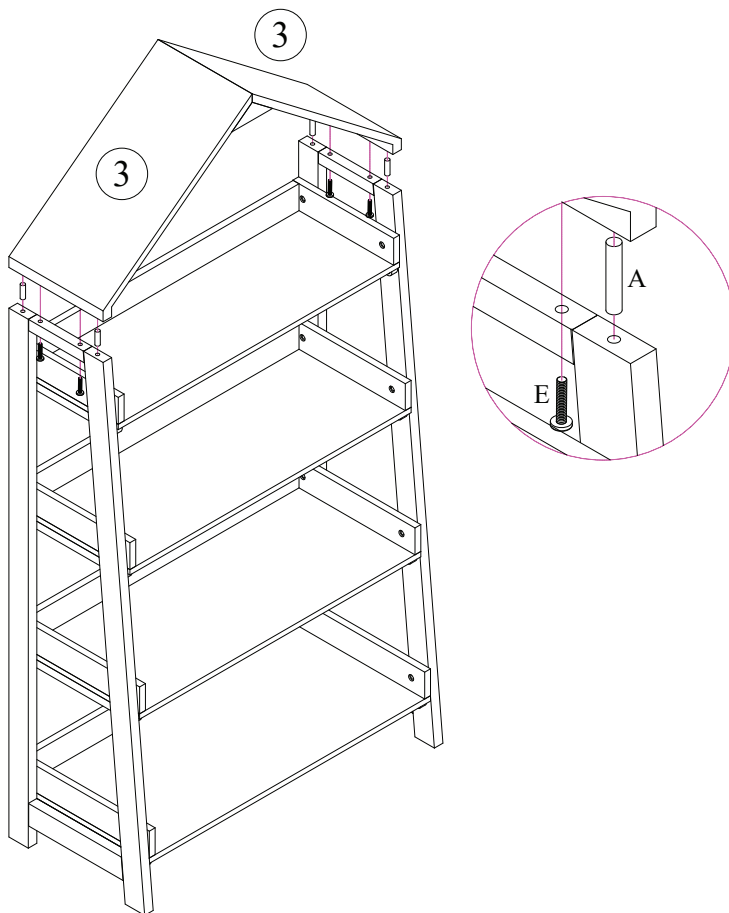
<p><b>B</b></p> 
<p>16PCS</p>



STEP 5





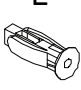
<b>B</b>	<b>A</b>
	
4PCS	4PCS

STEP 6

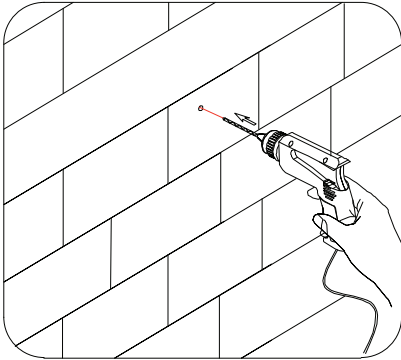


<b>E</b>	<b>A</b>
	
4PCS	4PCS

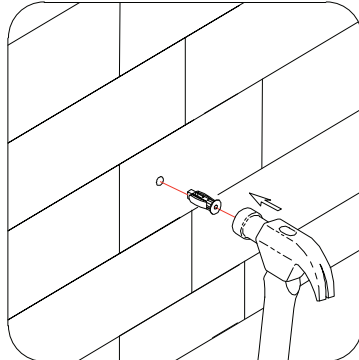
STEP 7

<b>F</b>	<b>A</b>	<b>C</b>	<b>E</b>
			
	1pc	1-3/8" 1pc	1pc

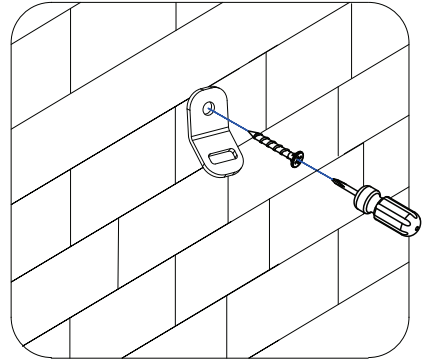
WALL



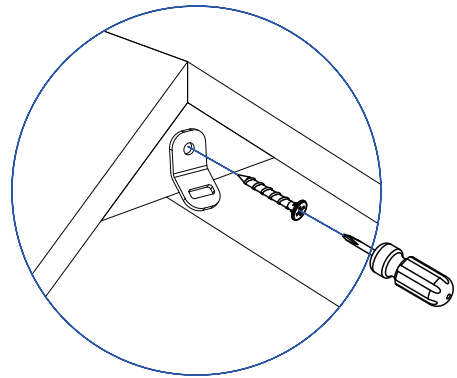
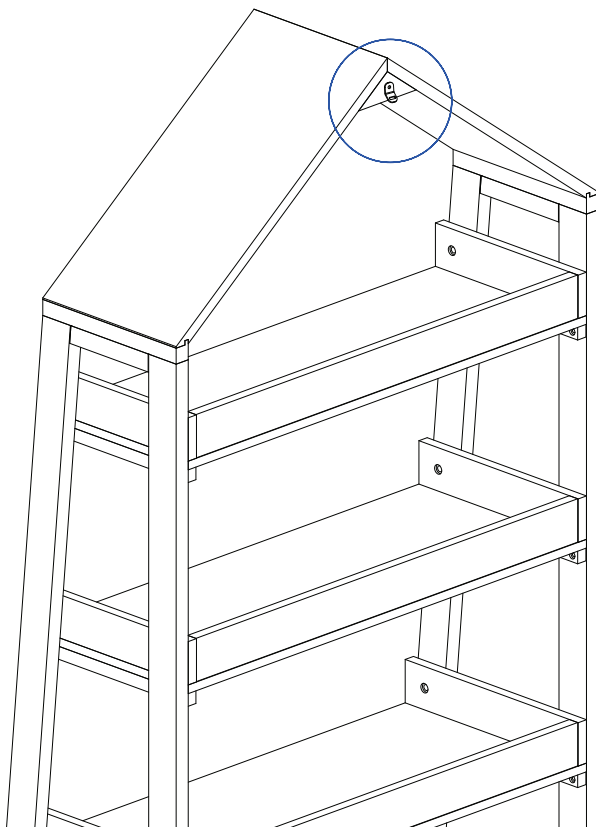
WALL


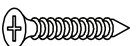


WALL

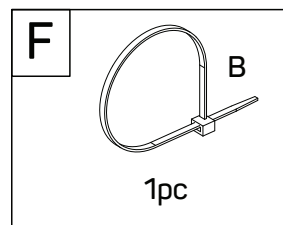
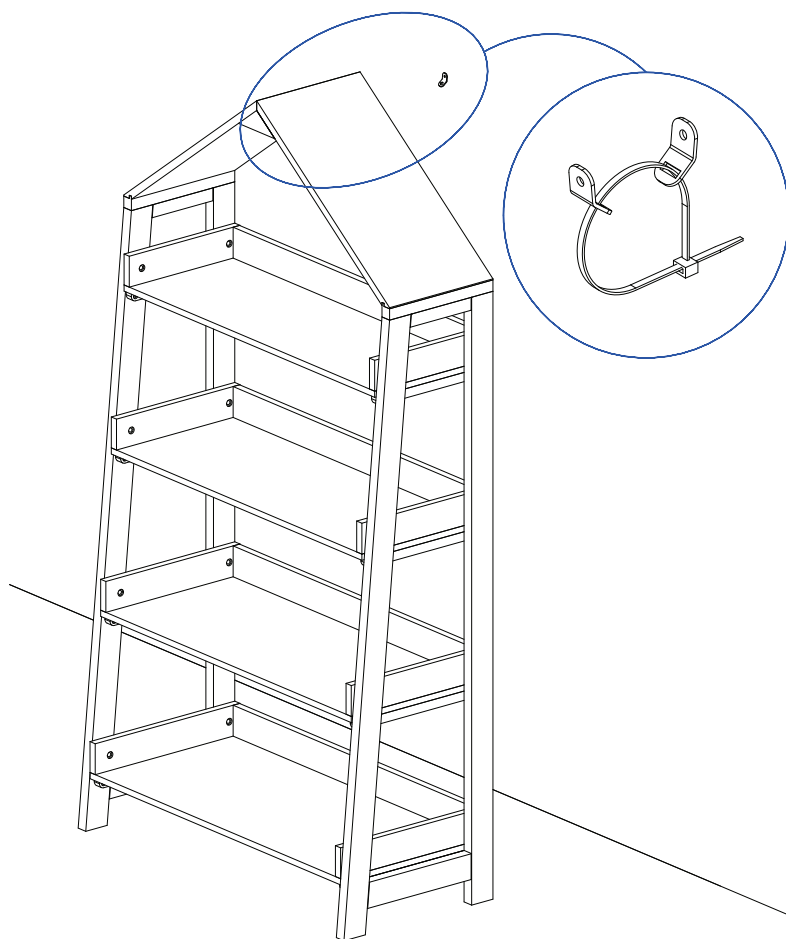


STEP 8

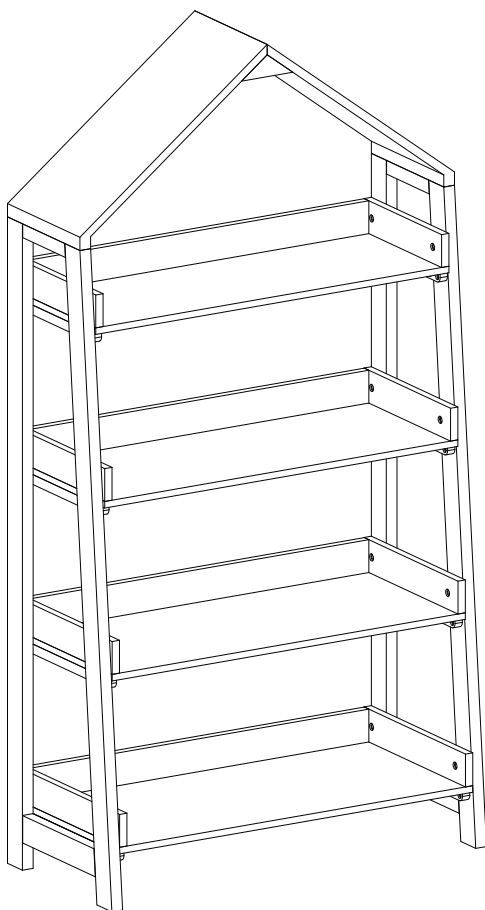


<b>F</b>	<b>A</b>	<b>D</b>
		
	1pc	19/32" 1pc

STEP 9



STEP 10



## Quality and Safety Guidelines

- Please follow the static and dynamic weight capacity limits provided on this item. If you are unsure of the weight capacities for this product, email us
- Please use this item on a stable, level surface only. All legs, feet should contact the flooring surface when in use. Do not use this item if any instability is detected.
- Please install and use anti-tipping devices/wall anchor kits as instructed by the assembly instructions. Serious or fatal crushing injuries can occur from tipping furniture. The wall anchor kit is not a substitute for proper adult supervision. Use of the tip over restraints may only reduce, but not eliminate the risk of tip over.
- Never push, pull or drag this product.
- For maintenance instructions and replacement parts, please email us
- This item is intended as a bookshelf only. Do not climb, hang, stand or sit on this item. Do not use this item as a TV stand. Do not place heavy objects on top of this product.
- The item is intended to be used indoors.
- Please inspect this product regularly to make sure there are no damaged or worn parts. Also inspect to make sure all hardware is tightened correctly and securely. For inspection instructions, please email us
- If any parts are damaged or worn, please stop using the product. Repair this product with manufacturer supplied parts only.
- For product longevity, product safety and product integrity, protect from wet and humid weather or other wet, humid or moist conditions and store indoors in a dry location. For additional storage and usage instructions, please email us