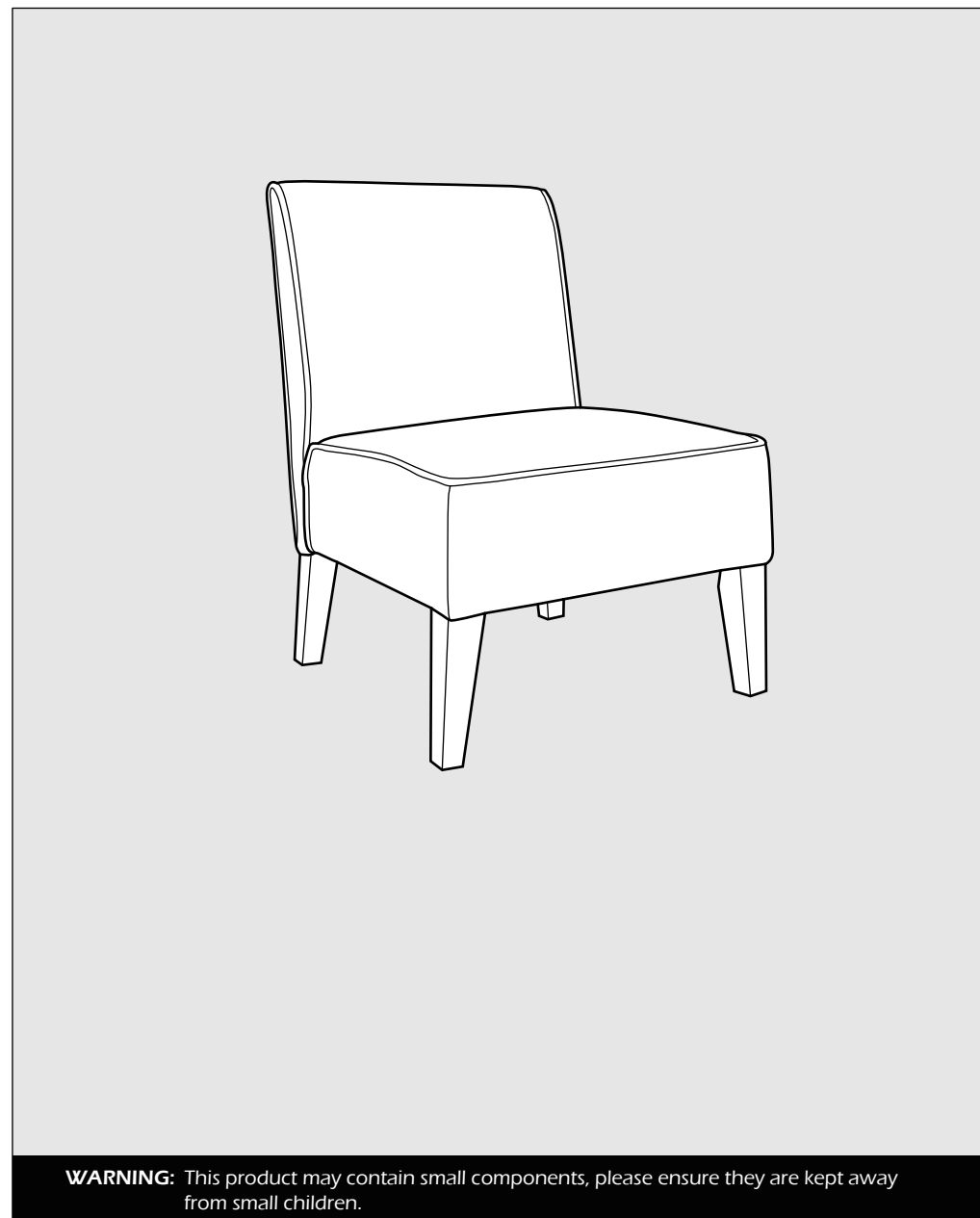
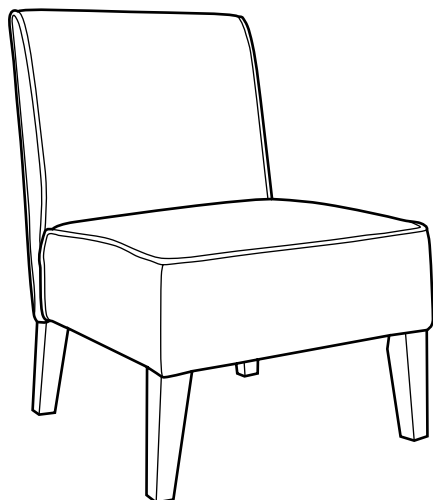
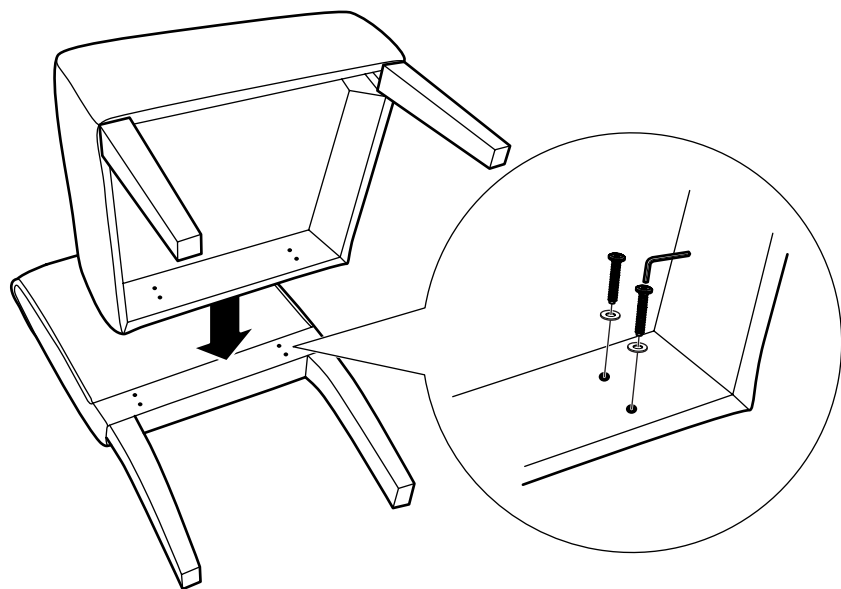


Model: \_\_\_\_\_

Lot No: \_\_\_\_\_

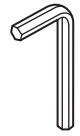
Date of Purchased: \_\_\_\_\_



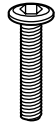
**WARNING:** This product may contain small components, please ensure they are kept away from small children.

## PARTS AND HARDWARE

Avoid using sharp objects such as a knife to cut open packing as you may accidentally damage the upholstery.



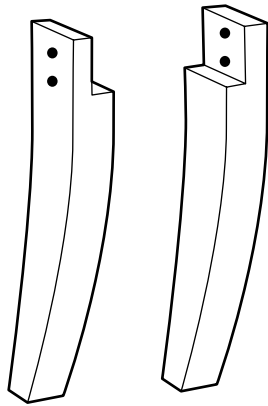
Allen Key  
1x



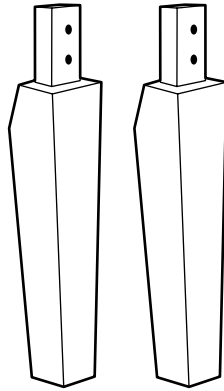
Bolt  
12x



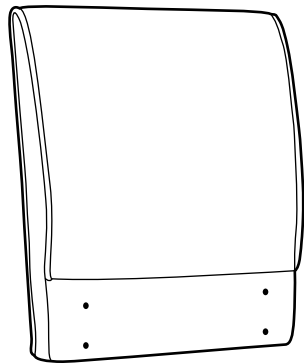
Washer  
12x



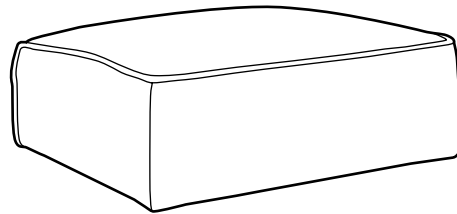
Rear Legs



Front Legs



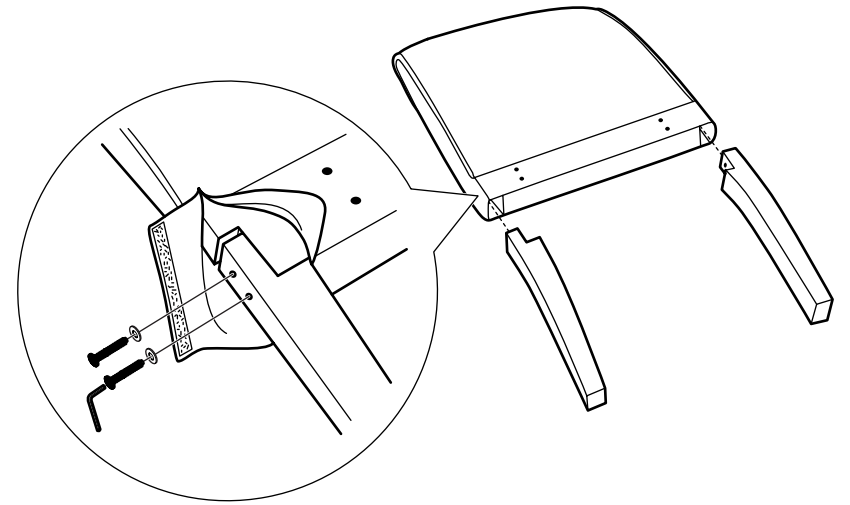
Backrest  
1x



Seat  
1x

## ASSEMBLY INSTRUCTIONS

1



2

