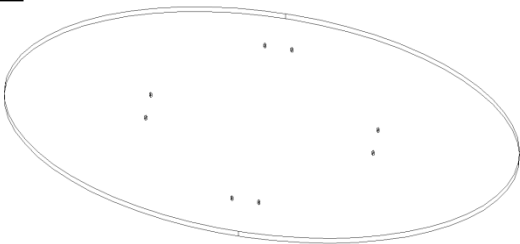


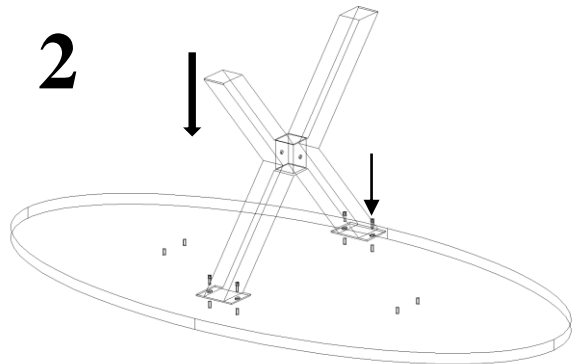
Assembly Instructions

1. Lay the table top upside down on a protective surface.
2. Place the bigger part of the leg on the table as shown in picture 2. Match the holes and fasten the bolts with hands.
3. Now place the other two parts of the leg and place it as shown in picture 3. Match the pins with the holes and fasten the bolts to the top with hands.
4. Now find the holes in the small opening in the middle of the leg. Move the smaller parts of the leg to match the hole and fasten the bolts with hands. Do this to the other part too.
5. Shake the complete leg assembly so that it takes its normal position and keep tightening it from all the ends with the hand and now use the wrench and reasonably tighten all the bolts and then flip it over.

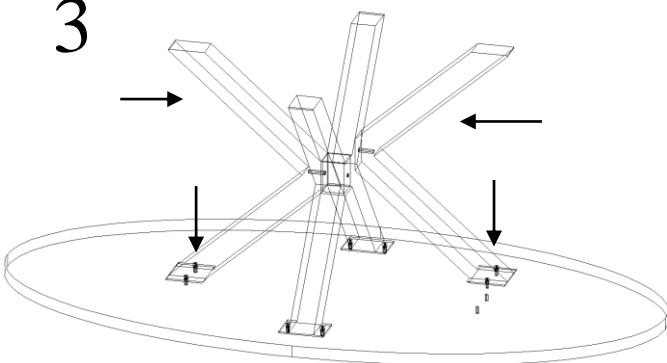
1



2



3



4

