



## **SKU: 2220-60 E14 Bulb x 11**

### **Before You Start**

#### **Warnings**

For your safety, this product must be installed in accordance with local Building Regulations. If in any doubt, or where required by the law, consult a competent person who is registered with an electrical self-certification scheme.

Further information is available online or from your Local Authority.

We suggest you retain these instructions for future reference. Light fittings should be connected to a 5 amp fused circuit.

This light fitting is suitable for indoor use only.

Before commencing installation, isolate the circuit to be used by removing the fuse or circuit breaker at the consumer distribution unit.

#### **Do's**

We suggest you spend a short time reading through this leaflet before you start.

When you are ready to start, make sure that you have the right tools and plenty of space.

Unwrap all packaging materials and place the components on a clean surface to protect it from damage.

Carefully check that you have all the parts before beginning assembly. Always switch off the supply before changing lightbulbs or cleaning. Allow bulbs to cool down before handling.

#### **Don'ts**

The fitting should NOT be fitted to newly painted or plastered surfaces as this may cause discolouration of the finish.

We recommend cleaning with a soft dry cloth. Do not use abrasive materials as these will rub away the protective coating.

#### **Number of people required to assemble**

One Person who is competent with electrical wiring and installation, however we do recommend that this item is installed by a qualified electrician.

#### **Tools required**

Two screwdrivers one suitable for a slotted screw and one suitable for a cross-headed screw

Small electrical screwdriver  
Insulating tape

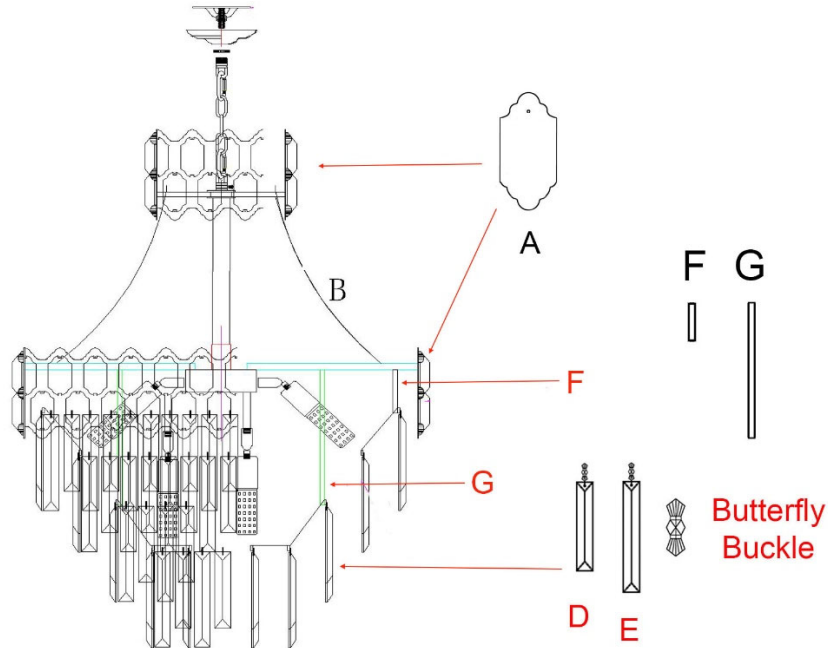
#### **Missing or damaged parts**

Please send email with some photos to our customer service team [admin@wdwlimited.co.uk](mailto:admin@wdwlimited.co.uk).

Please let us know your order number and which website or where you placed the order.



## GETTING TO KNOW YOUR PRODUCT

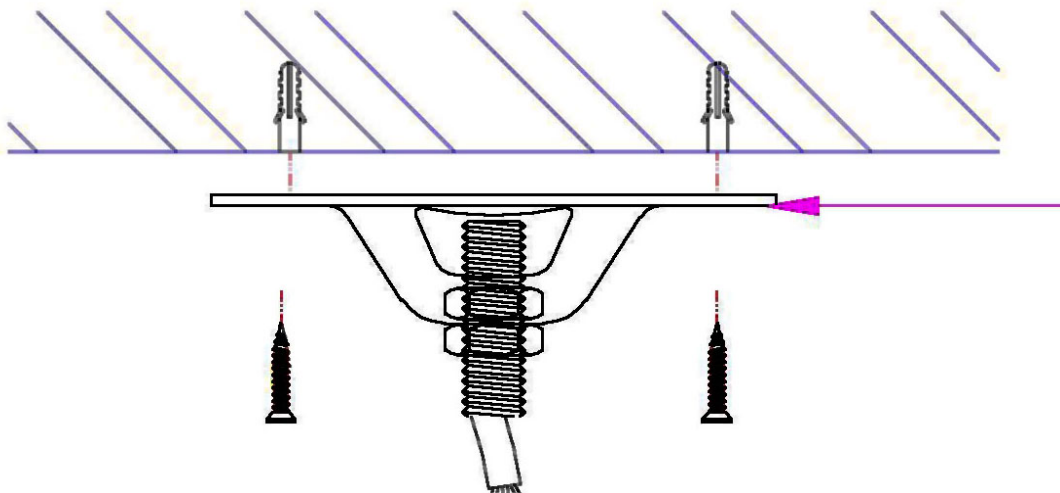


Part Code	Description	Qty	Note
A	15*88mm Rectangle Crystal	92	
B	14mm Octagonal Beaded Chain	30	
D	22*120mm Crystal Strip	83	Shorter
E	22*150mm Crystal Strip	83	Longer
F	6*6 - 70mm Metal Pole	4	Shorter
G	6*6 - 210mm Metal Pole	4	Longer
	Hooks	1 Bag	

### Step 1

THIS FITTING MUST BE SECURED TO A JOIST OR JOIST BRIDGE.

Taking care not to damage any house wiring, screw fixing bracket to the ceiling using the screws supplied in the accessory pack. The screws should penetrate the ceiling wood joist by at least 2cm.

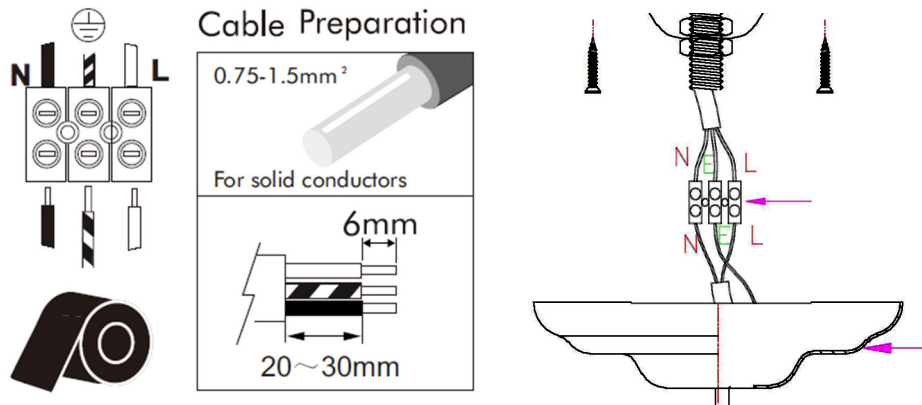


## Step 2

Check that .....

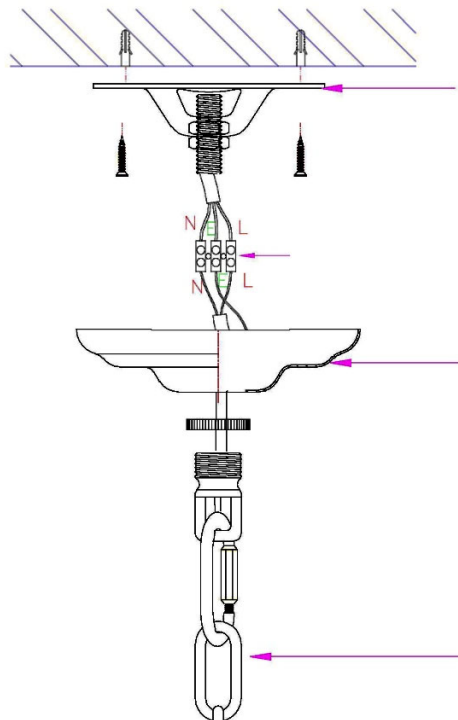
- you have correctly identified the house wires for the light fitting.
- connections are tight.
- no loose strands have been left out of the connection block(s).

Wrap two layers of electrical insulation tape around the connector block and around the wiring 2cm each side of the connector block.



## Step 3

When all connections are insulated, offer the ceiling cup up the fixing bracket. Align the screws with the corresponding slots. Then tighten the screws.





## **Step 4**

Screw metal rings with metal rods **F** to the top frame

Screw metal rings with metal rods **G** to the top frame

## **Step 5**

Hang beaded chains **B** with butterfly buckles

### **Fit the correct light bulb.**

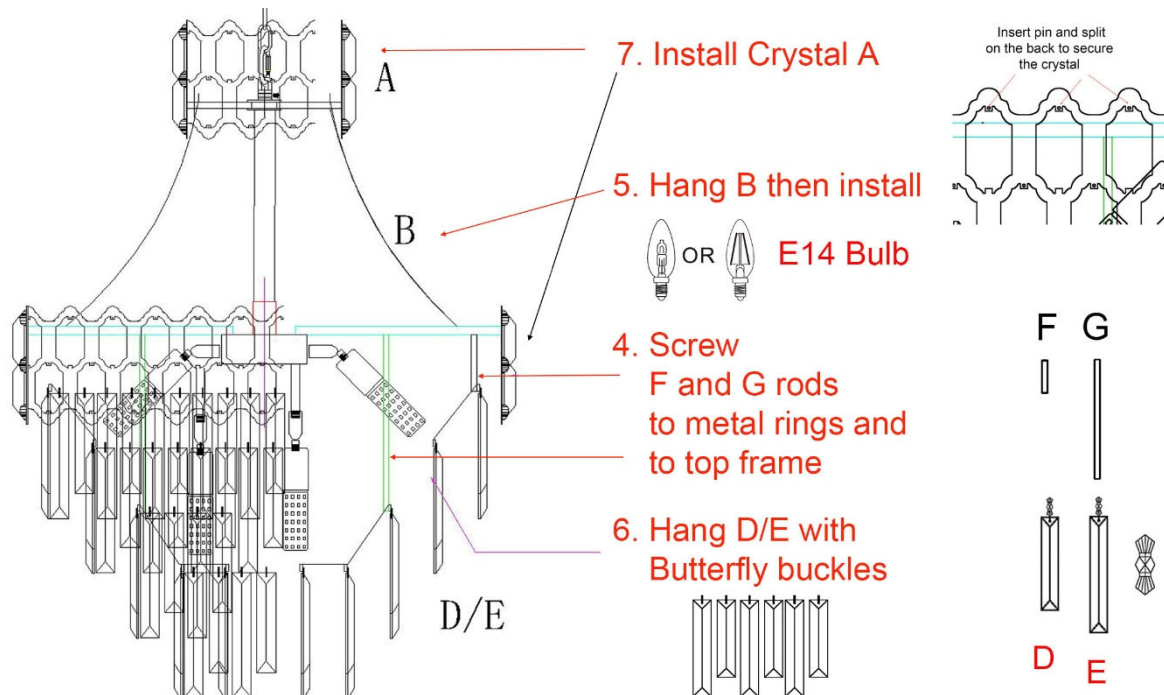
- Max Wattage – 40 Watts
- Bulb shape – Candle
- Bulb Type – E14 (Small Edison Screw)

## **Step 6**

Hang Crystal Strip **D/E** with butterfly buckles. Make sure **D** next **E**

## **Step 7**

Install Part **A** with metal pin. Split the pin on the back to secure the crystal



### **Switch on!**

You may now switch the electricity back on. We are sure you will be pleased with your new WDW light fitting and that it will give you many years of trouble-free enjoyment.

### **Cleaning care**

We recommend cleaning with a soft dry cloth. Do not use abrasive materials as these will rub away the protective coating.

### **Safety information**

For your safety, please remember the following:

Always switch off the supply before changing lightbulbs or cleaning. Allow bulbs to cool down before handling.