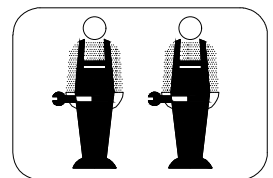
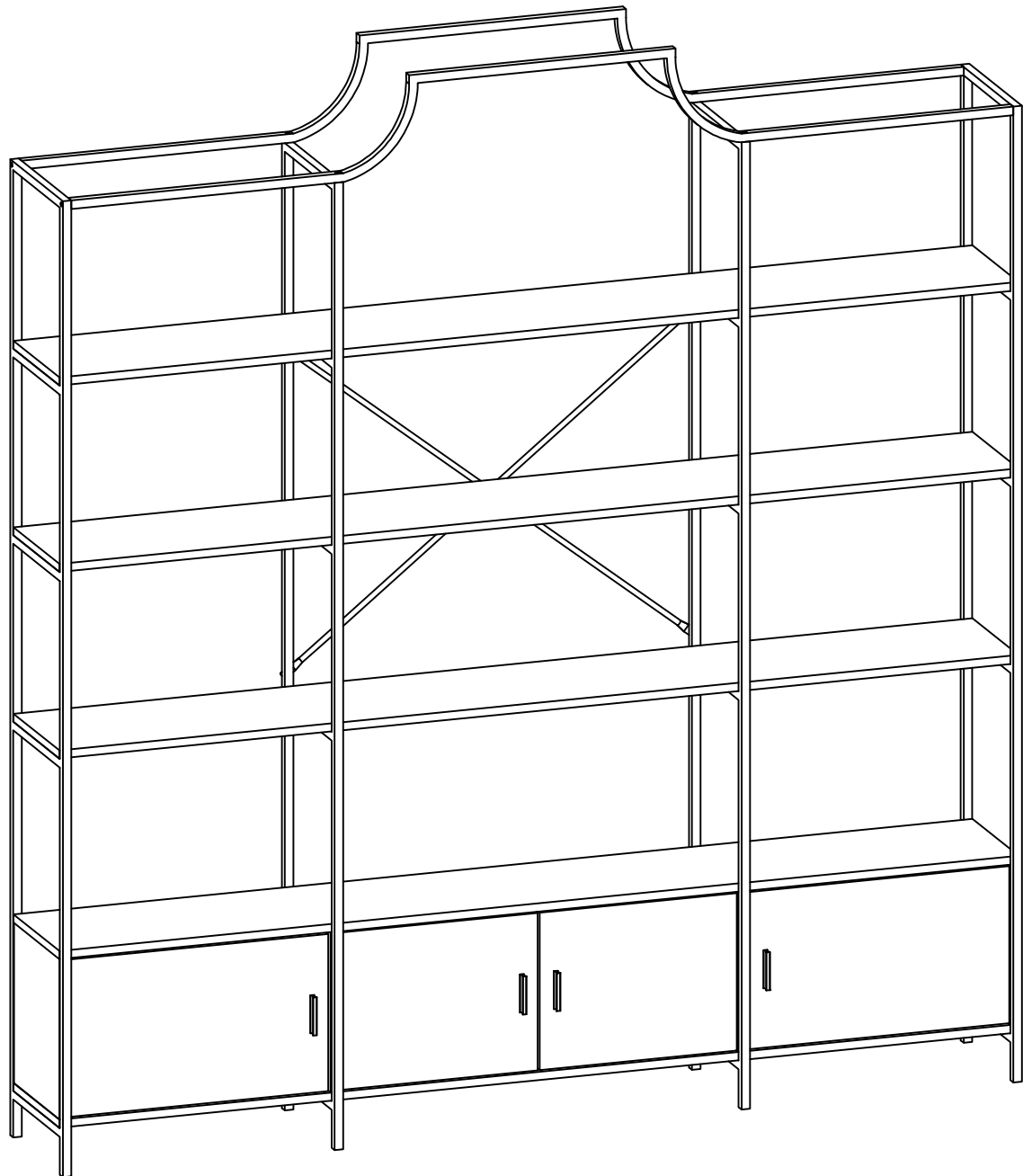
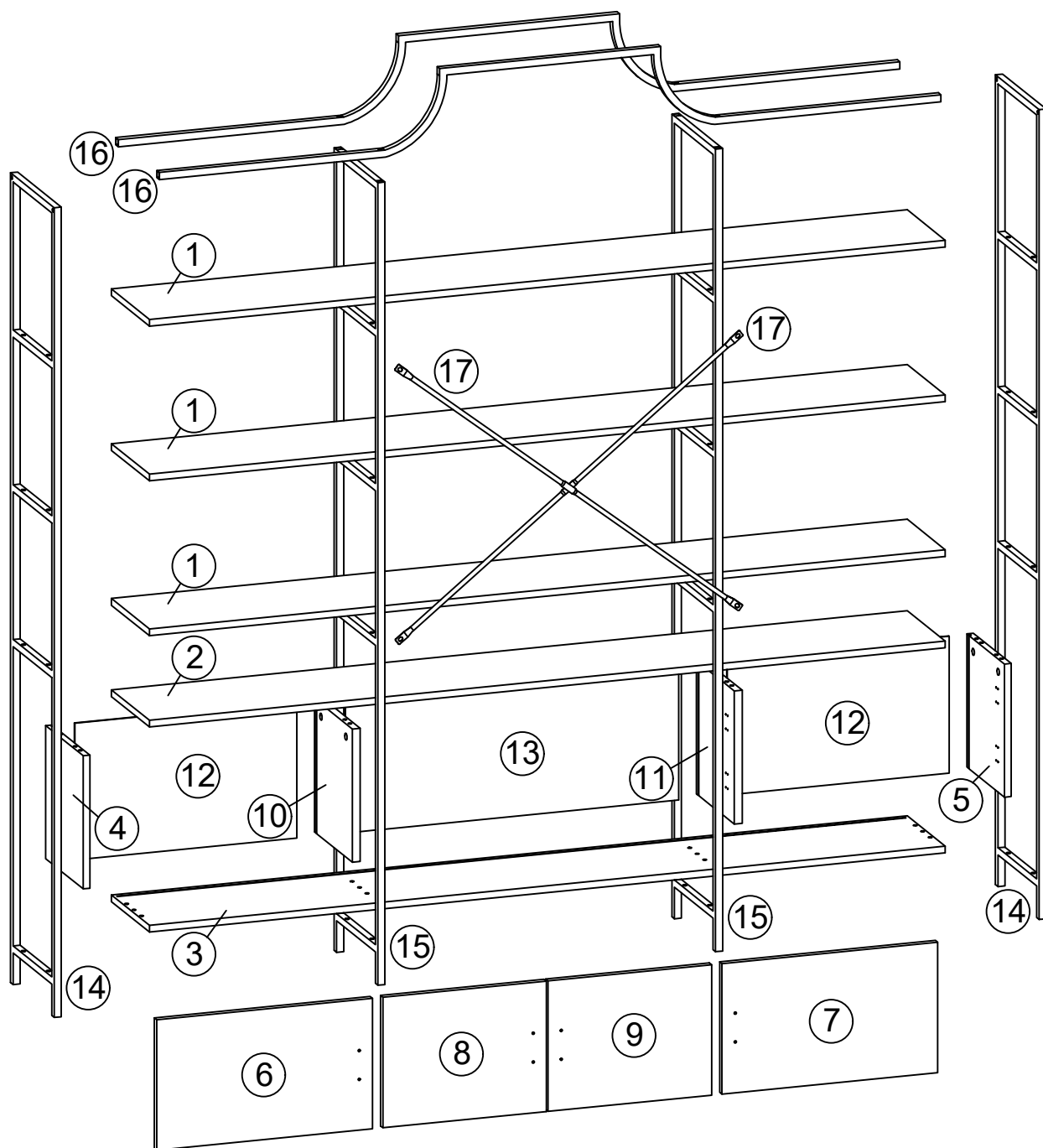









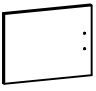
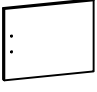








# ASSEMBLY INSTRUCTIONS

WF306848

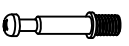


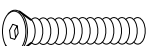
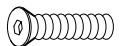
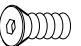






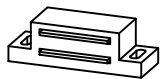

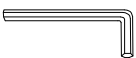
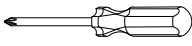
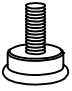

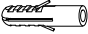




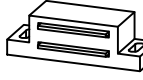
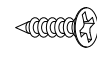
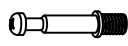
## Part List

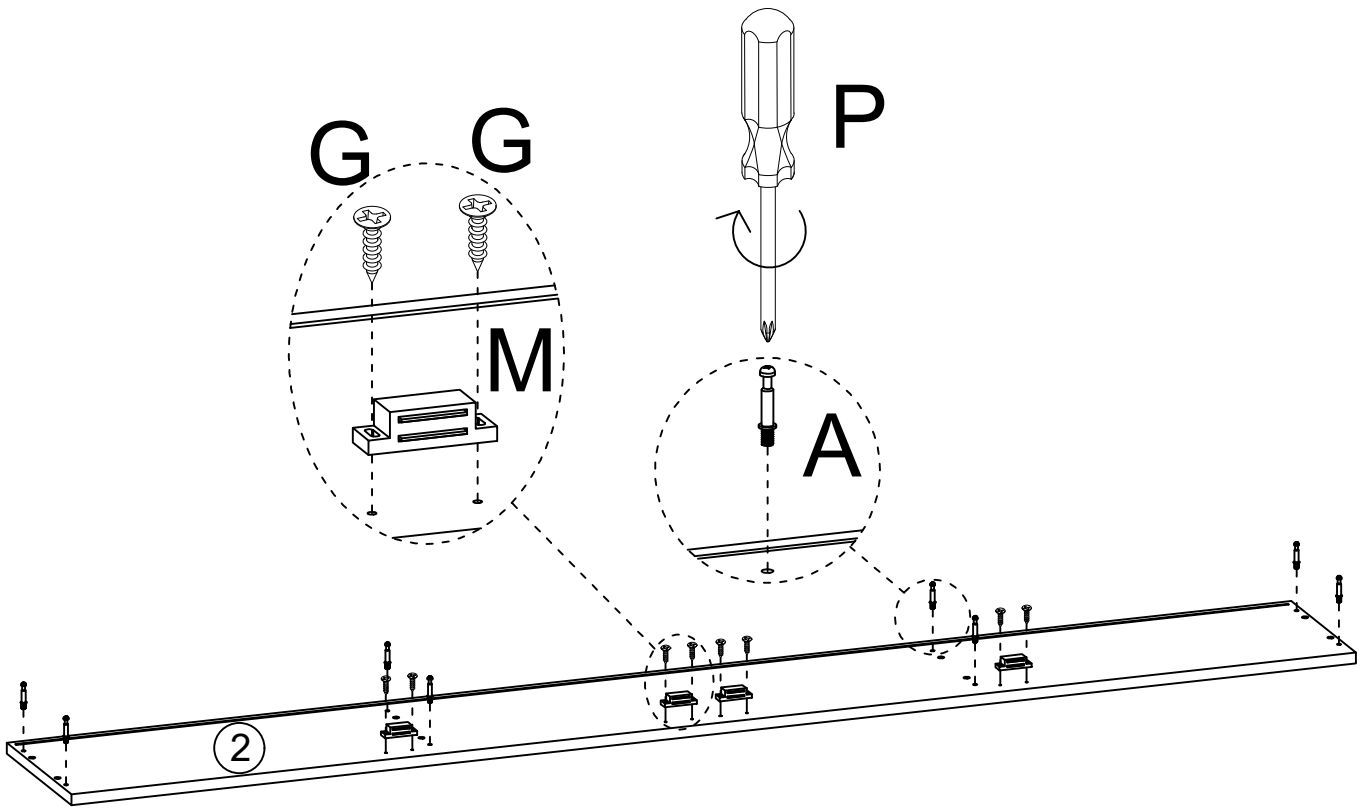
			
①×3pcs	②×1pc	③×1pc	④×1pc
			
⑤×1pc	⑥×1pc	⑦×1pc	⑧×1pc
			
⑨×1pc	⑩×1pc	⑪×1pc	⑫×2pcs
			
⑬×1pc	⑭×2pcs	⑮×2pcs	⑯×2pcs
			
⑰×2pcs			

## Hardware List

				
∅6×35mm	∅15×12mm	∅8×30mm	M6×35mm	M6×25mm
Ⓐ×8pcs	Ⓑ×8pcs	Ⓒ×16pcs	Ⓓ×8pcs	Ⓔ×32pcs
				
M6×12mm	3.5×14mm	4×35mm	8×15×70mm	M4×18mm
Ⓕ×4pcs	Ⓖ×64pcs	Ⓗ×2pcs	Ⓘ×4pcs	Ⓝ×8pcs
				
∅7×40mm		46×16×14mm	45×12×1mm	
Ⓚ×4pcs	Ⓛ×8pcs	Ⓜ×4pcs	Ⓝ×4pcs	Ⓞ×1pc
				
Ⓟ×1pc	Ⓠ×8pcs	Ⓡ×2pcs	∅6×30mm	
			Ⓢ×2pcs	

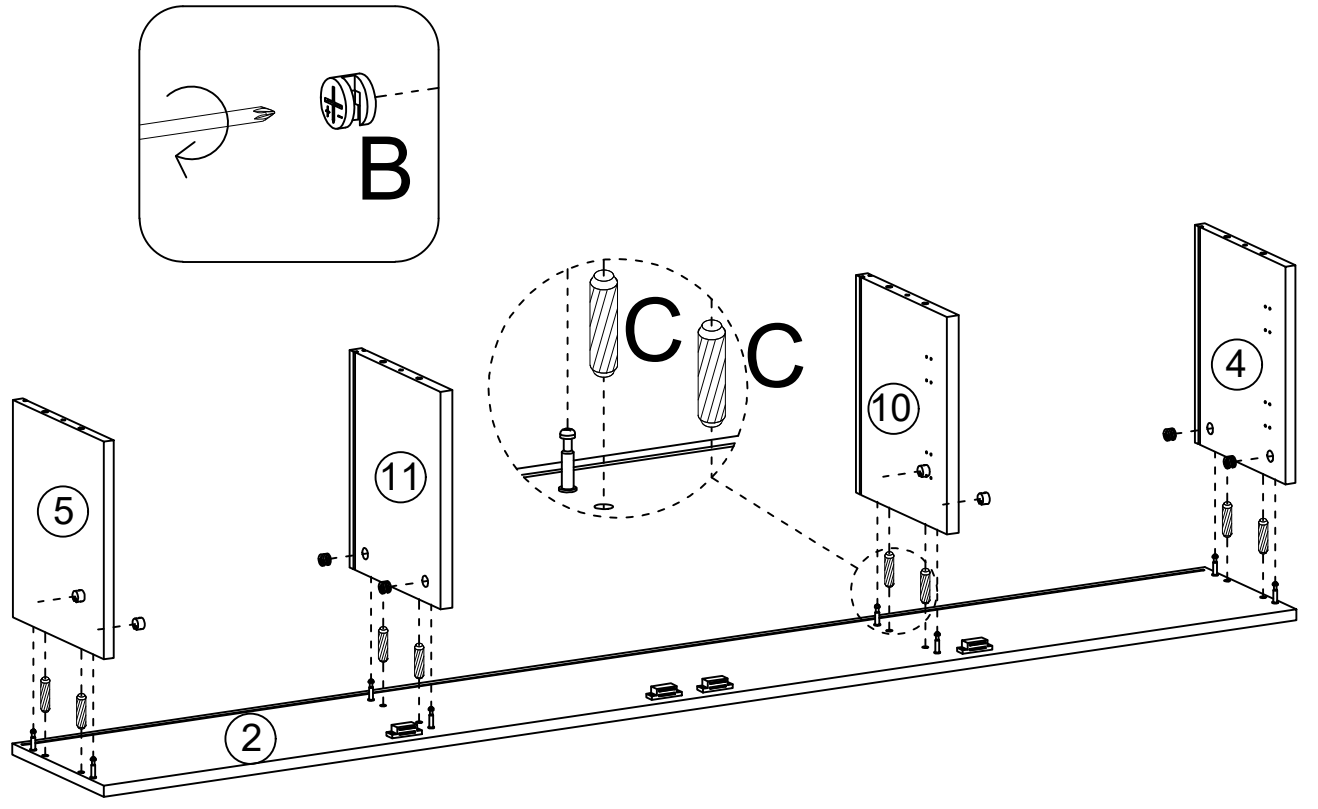
# Step 1

		
46x16x14mm	3.5x14mm	Ø6x35mm
Ⓜ ×4pcs	ⓐ ×8pcs	Ⓐ ×8pcs

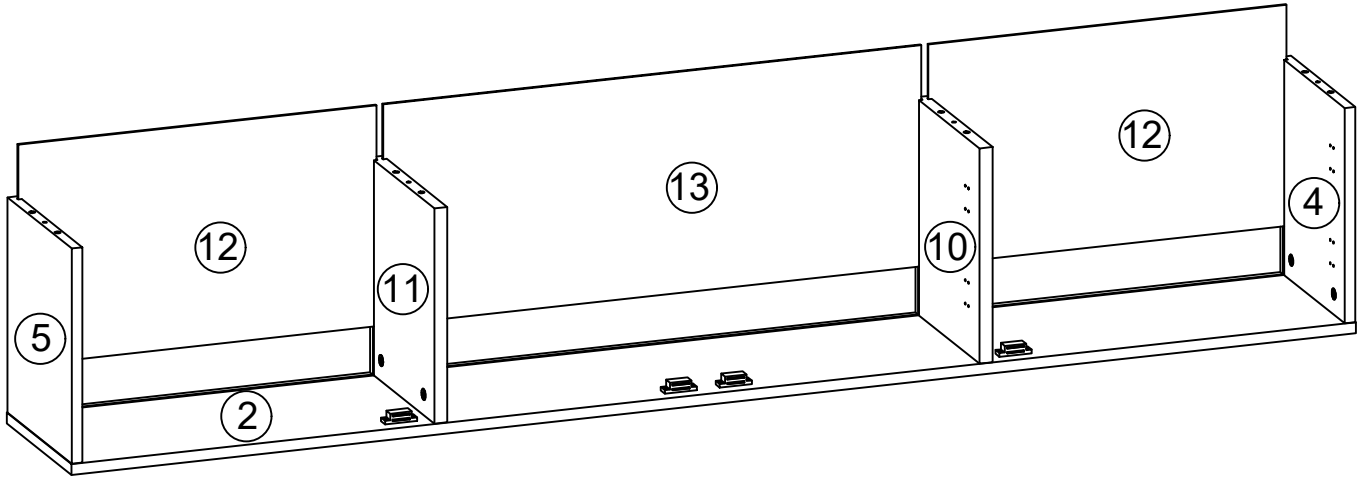


# Step 2


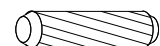
	
Ø15x12mm	Ø8x30mm
Ⓑ ×8pcs	Ⓒ ×8pcs

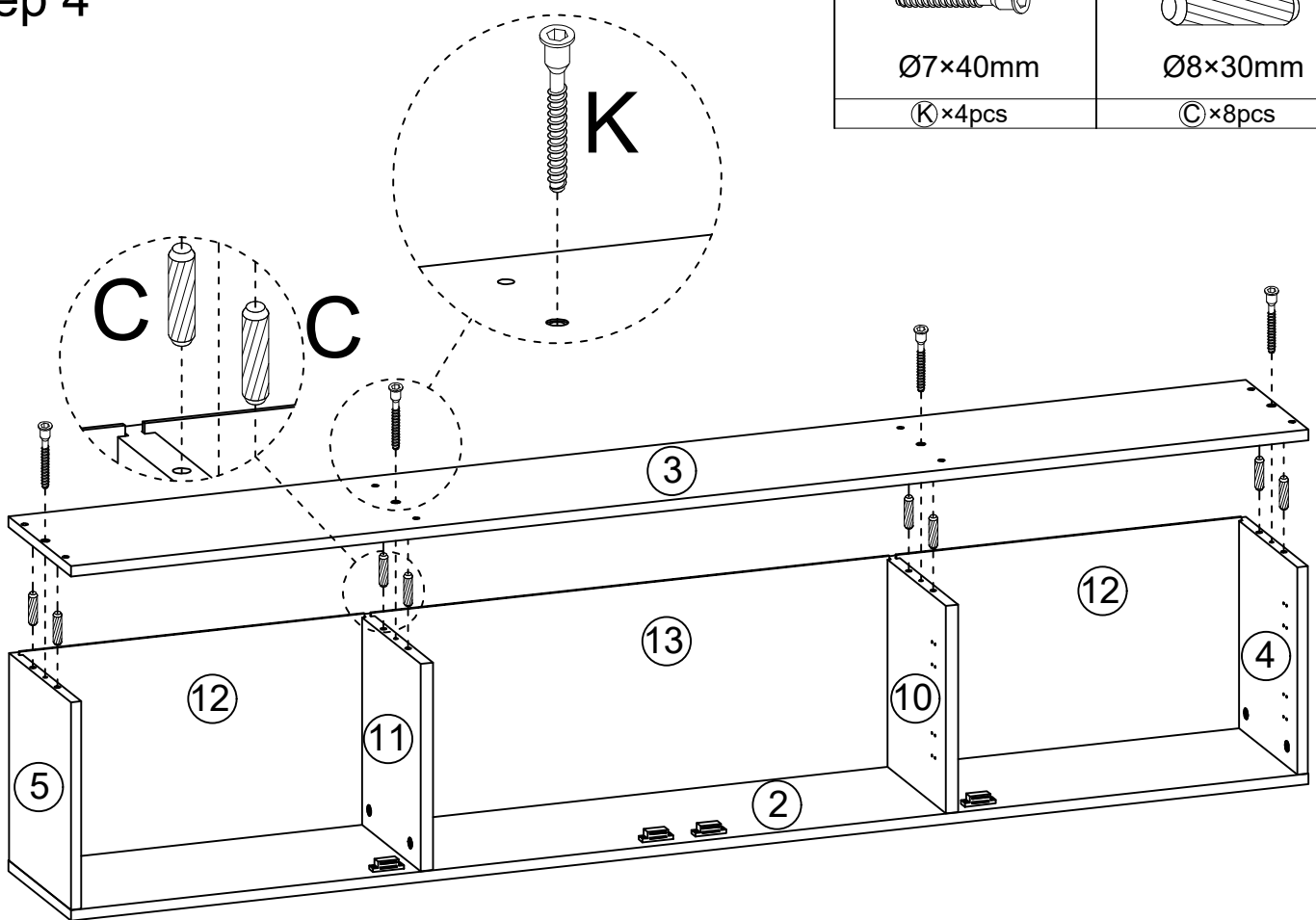


# Step 3



# Step 4

	
Ø7×40mm	Ø8×30mm
(K)×4pcs	(C)×8pcs

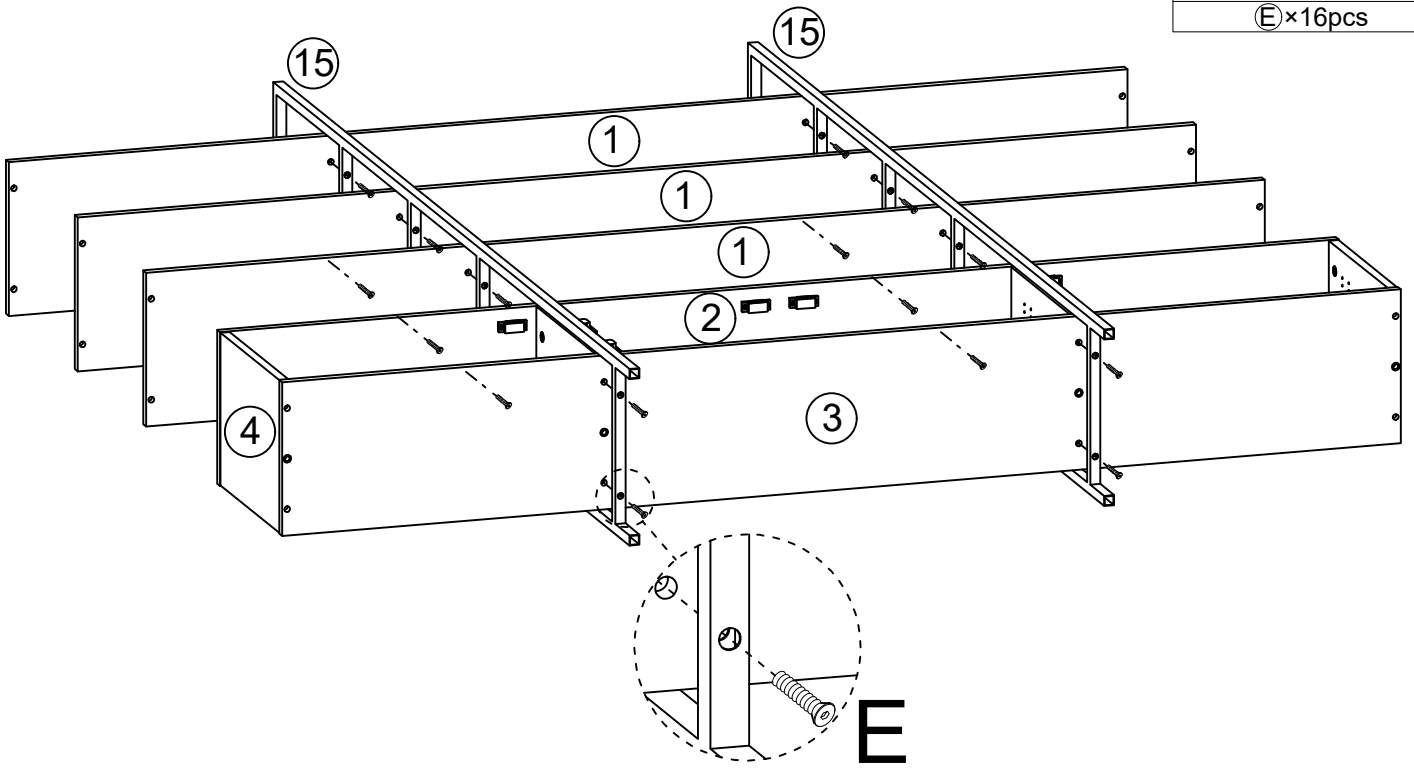


# Step 5



M6x25mm

E × 16 pcs

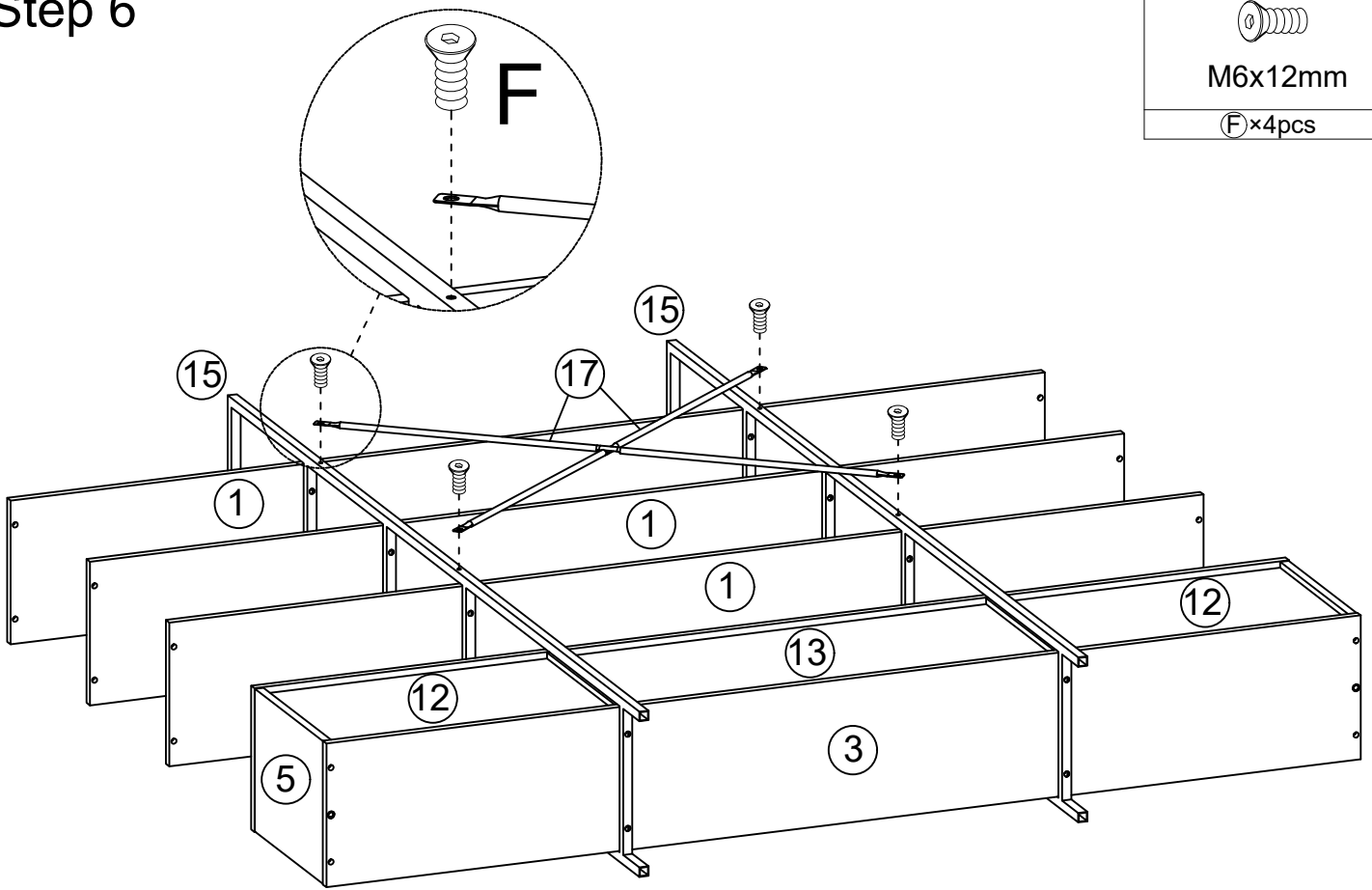


# Step 6

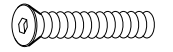


M6x12mm

F × 4 pcs

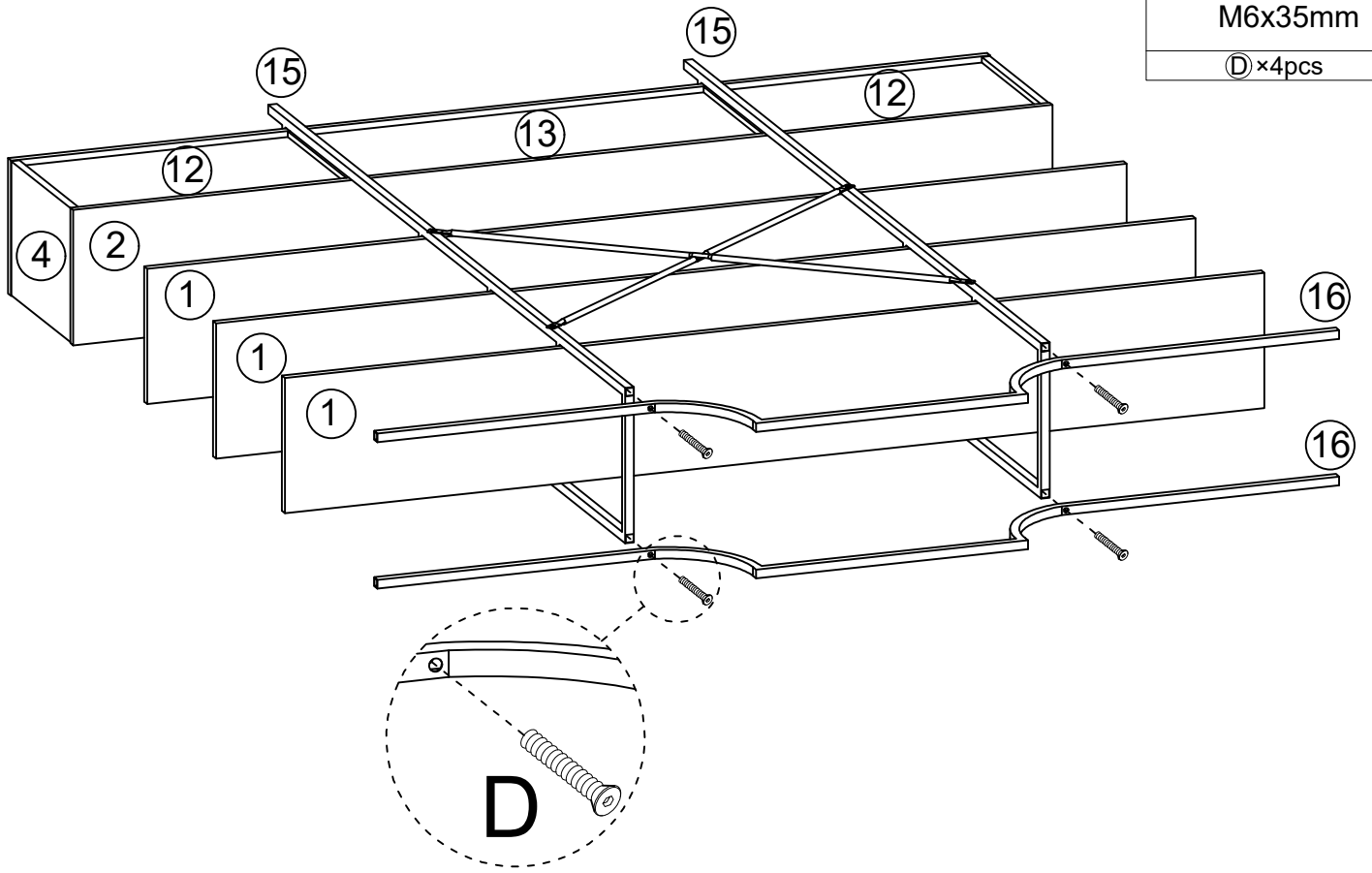


# Step 7



M6x35mm

ⓓ × 4 pcs

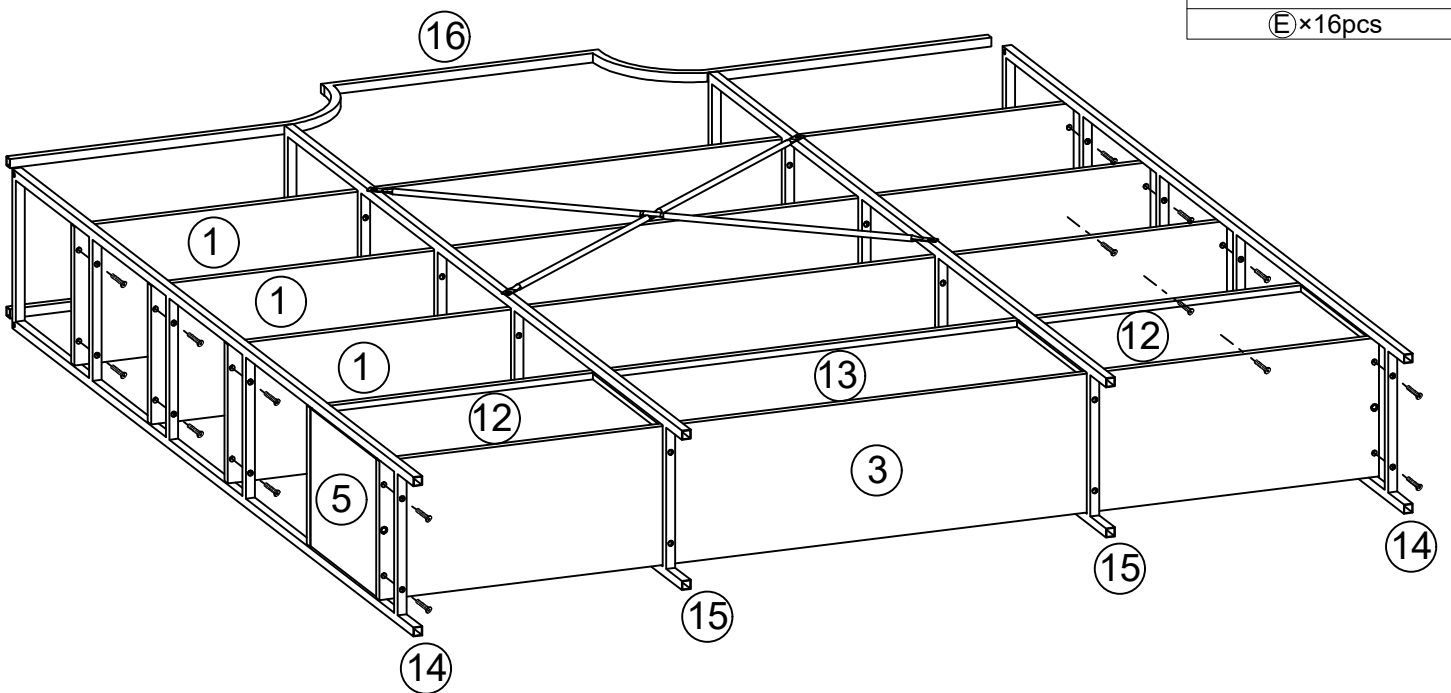


# Step 8




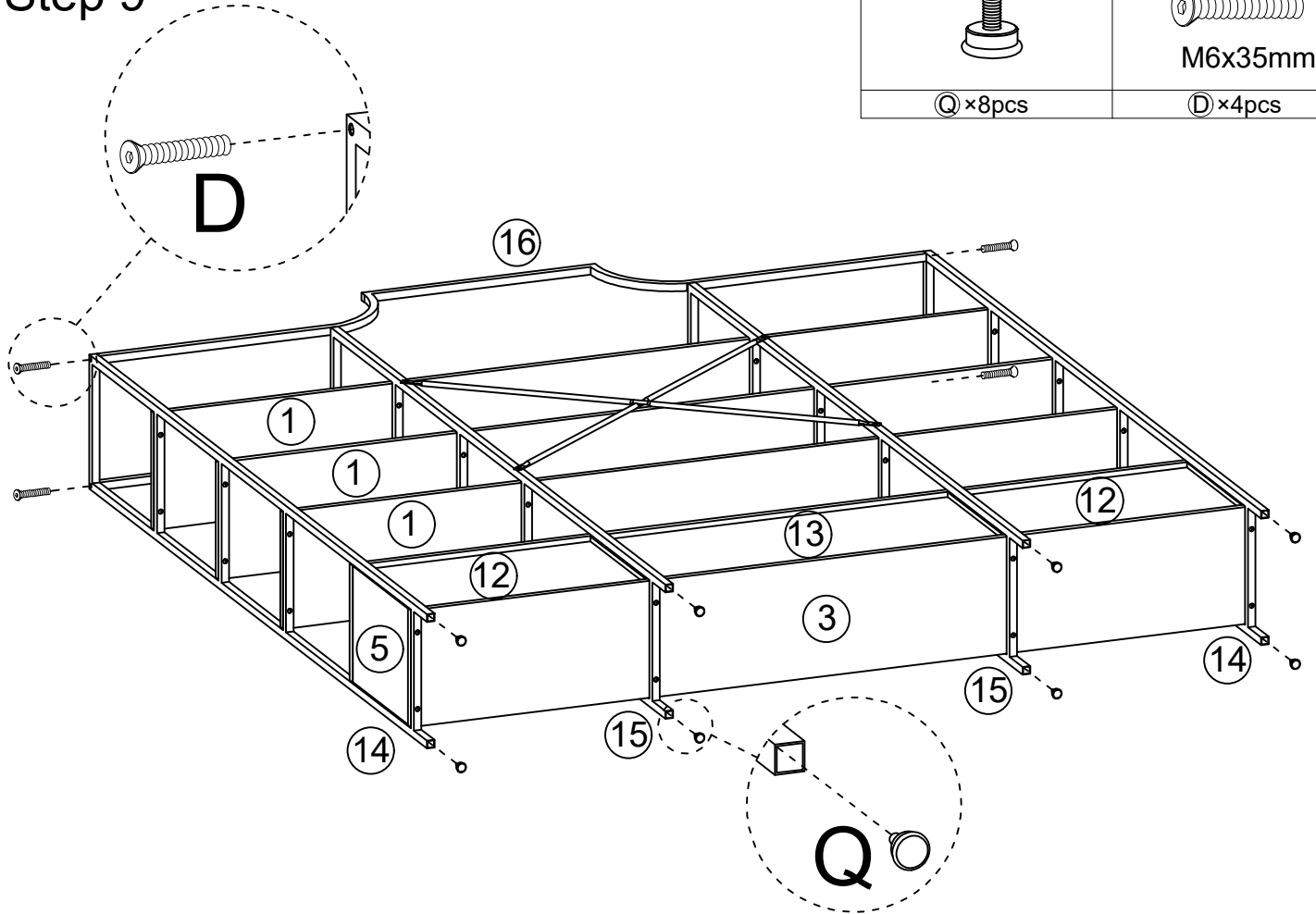
M6x25mm

ⓔ × 16 pcs

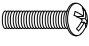
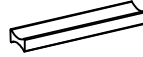





# Step 9

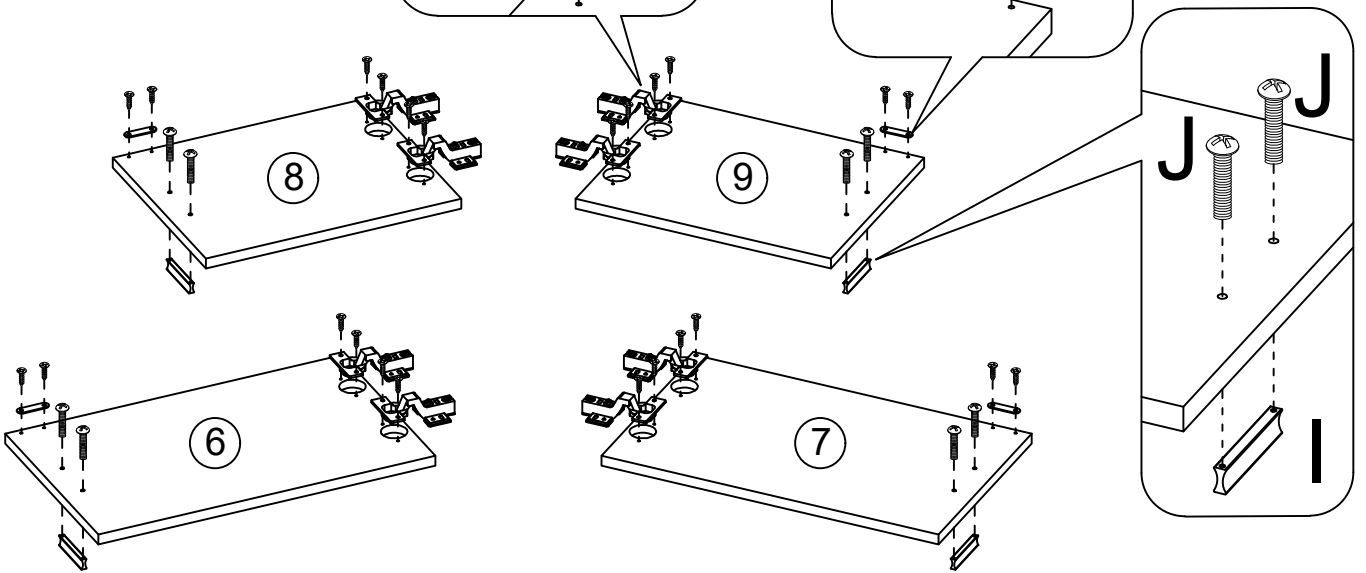
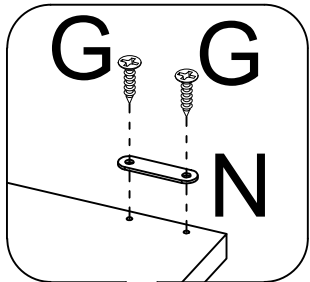
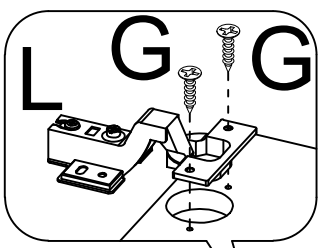
	
Q × 8pcs	M6x35mm
	D × 4pcs



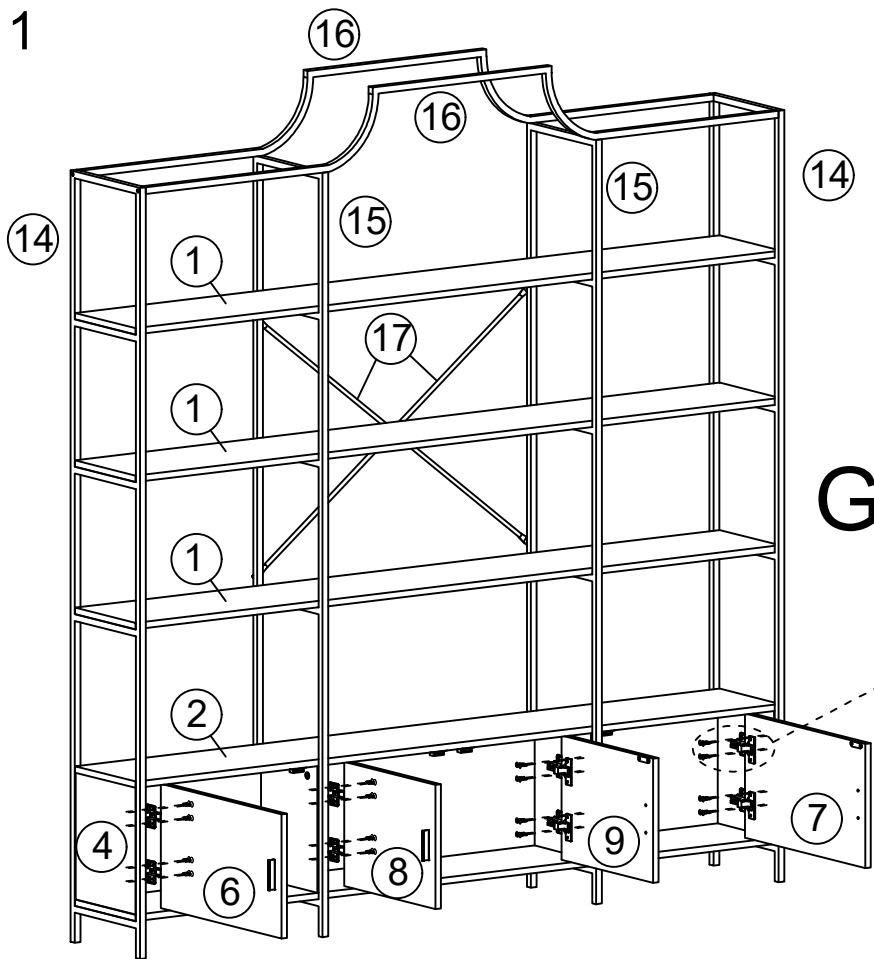
# Step 10

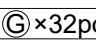
			
M4x18mm	8x15x70mm	3.5x14mm	
J × 8pcs	I × 4pcs	G × 24pcs	L × 8pcs


45x12x1mm
N × 4pcs

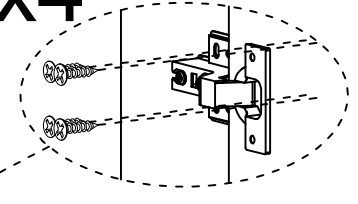


# Step 11

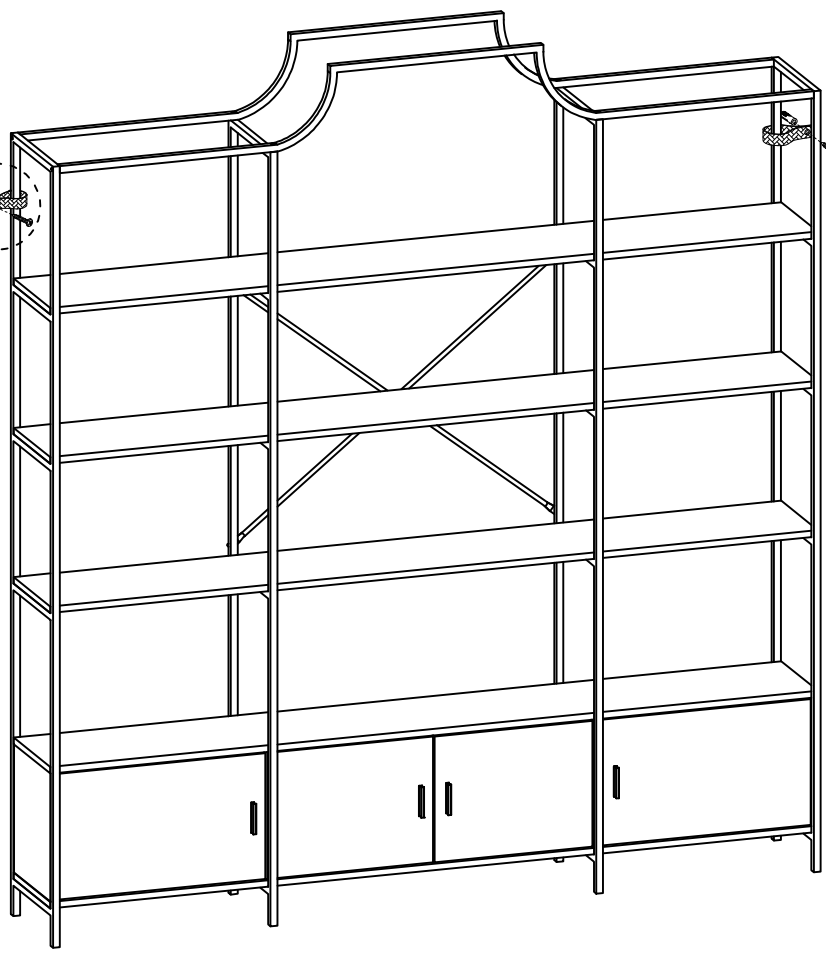
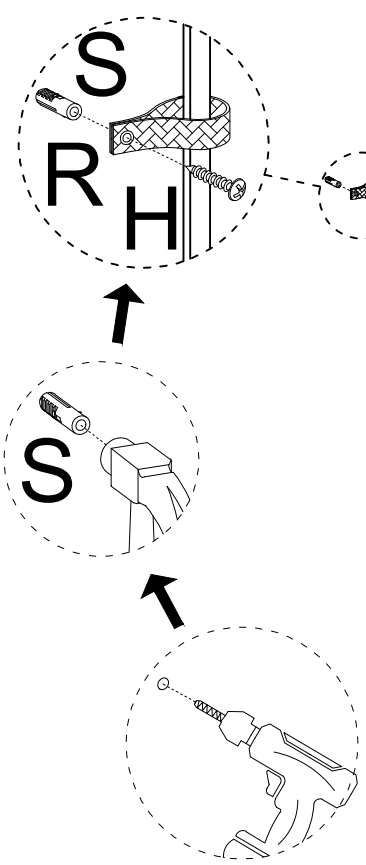



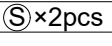

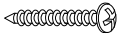
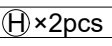
-  3.5x14mm
-  Gx32pcs

**Gx4**



# Step 12



-  Ø6x30mm
-  Sx2pcs
-  Rx2pcs
-  4x35mm
-  Hx2pcs