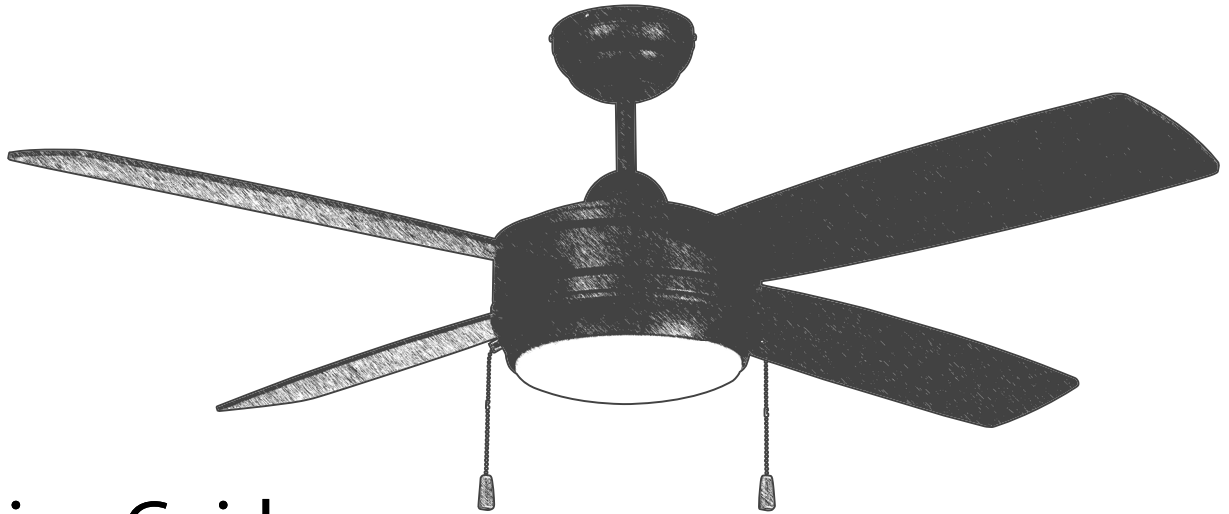


READ THESE INSTRUCTIONS AND  
AND SAVE THEM FOR FUTURE USE



# Installation Guide

## Table of Contents:

Safety Tips. pg. 1

Unpacking Your Fan. pg. 2

Parts Inventory. pg. 2

Installation Preparation. pg. 3

Hanging Bracket Installation. pg. 3

Fan Assembly. pgs. 4 - 5

Wiring. pg. 5

Canopy Assembly. pg. 6

Blade Assembly. pg. 6

Light Kit Assembly. pg. 7

Testing Your Fan. pg. 8

Troubleshooting. pg. 9

Parts Replacement. pg. 9

Warranty. pg. 9

# SAFETY TIPS.

**WARNING:** To reduce the risk of electrical shock, turn off the electricity to the fan at the main fuse box or circuit panel before you begin the fan installation or before servicing the fan or installing accessories.

1. **READ ALL INSTRUCTIONS AND SAFETY INFORMATION CAREFULLY BEFORE INSTALLING YOUR FAN AND SAVE THESE INSTRUCTIONS.**

**CAUTION:** To avoid personal injury, the use of gloves may be necessary while handling fan parts with sharp edges.

2. Make sure all electrical connections comply with Local Codes or Ordinances, the National Electrical Code, and ANSI/NFPA 70-1999. If you are unfamiliar with electrical wiring or if the house/building wires are different colors than those referred to in the instructions, please use a qualified electrician.
3. Make sure you have a location selected for your fan that allows clear space for the blades to rotate, and at least seven (7) feet (2.13 meters) of clearance between the floor and the fan blade tips. The fan should be mounted so that the tips of the blades are at least thirty (30) inches (76 centimeters) from walls or other upright structures.
4. The outlet box and ceiling support joist used must be securely mounted, and capable of supporting at least 35 pounds (16 kilograms). The outlet box must be supported directly by the building structure. Use only CUL (Canada) or UL (USA) listed outlet boxes marked "FOR FAN SUPPORT."

**WARNING:** To reduce the risk of fire, electrical shock, or personal injury, mount to the outlet box marked "Acceptable for Fan Support of 15.9 kg (35 lb.) or less," and use the mounting screws provided with the outlet box. Most outlet boxes commonly used for the support of lighting fixtures are not acceptable for fan support and may need to be replaced. Consult a qualified electrician if in doubt.

**WARNING:** To reduce the risk of fire, electrical shock, or personal injury, wire connectors provided with this fan are designed to accept only one 12 gauge house wire and two lead wires from the fan. If your house wire is larger than 12 gauge or there is more than one house wire to connect to the corresponding fan lead wires, consult an electrician for the proper size wire connectors to use.

5. Electrical diagrams are for reference only.
6. After installation is complete, check that all connections are absolutely secure.
7. After making electrical connections, spliced conductors should be turned upward and pushed carefully up into the outlet box. The wires should be spread apart with the grounded conductor and the equipment-grounding conductor on opposite sides of the outlet box.

**WARNING:** To reduce the risk of electrical shock, fire and to prevent humming noise do not use this fan with any solid state speed control device or control fan speed with a full range dimmer switch. [Using a full range dimmer switch to control fan speed will cause a loud humming noise from fan.] (**Note:** This fan *is* suitable for use with remote control.)

8. Do not operate the reverse switch until fan has come to a complete stop.
9. Do not insert anything between the fan blades while they are rotating.

**WARNING:** To reduce the risk of personal injury, do not bend the blade arms during assembly or after installation. Do not insert objects into the path of the blades.

**WARNING:** To avoid personal injury or damage to the fan and other items, be cautious when working around or cleaning the fan.

10. Do not use water or detergents when cleaning the fan or fan blades. A dry dust cloth or lightly dampened cloth will be suitable for most cleaning.

**WARNING:** To reduce the risk of personal injury, use **only** parts provided with this fan. **The use of parts OTHER than those provided with this fan will void the warranty.**

**WARNING:** This fan **MUST** be installed with the safety cable provided with the fan. Failure to use the safety cable provided may result in personal injury, damage to the fan or damage to other property.

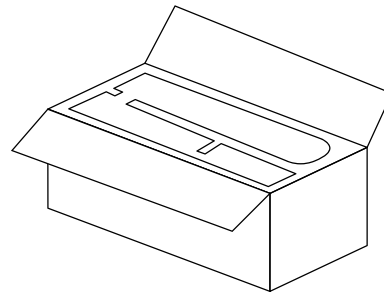
**CAUTION:** Do NOT tamper with or attempt to repair LED component of light kit. The light source is designed for this specific application and should not be serviced by untrained personnel. If any servicing is required, call our Customer Service Department.

11. Light kit is dimmable to 10% with select dimmers.

**NOTE:** The important safety precautions and instructions appearing in the manual are not meant to cover all possible conditions and situations that may occur. It must be understood that common sense and caution are necessary factors in the installation and operation of this fan.

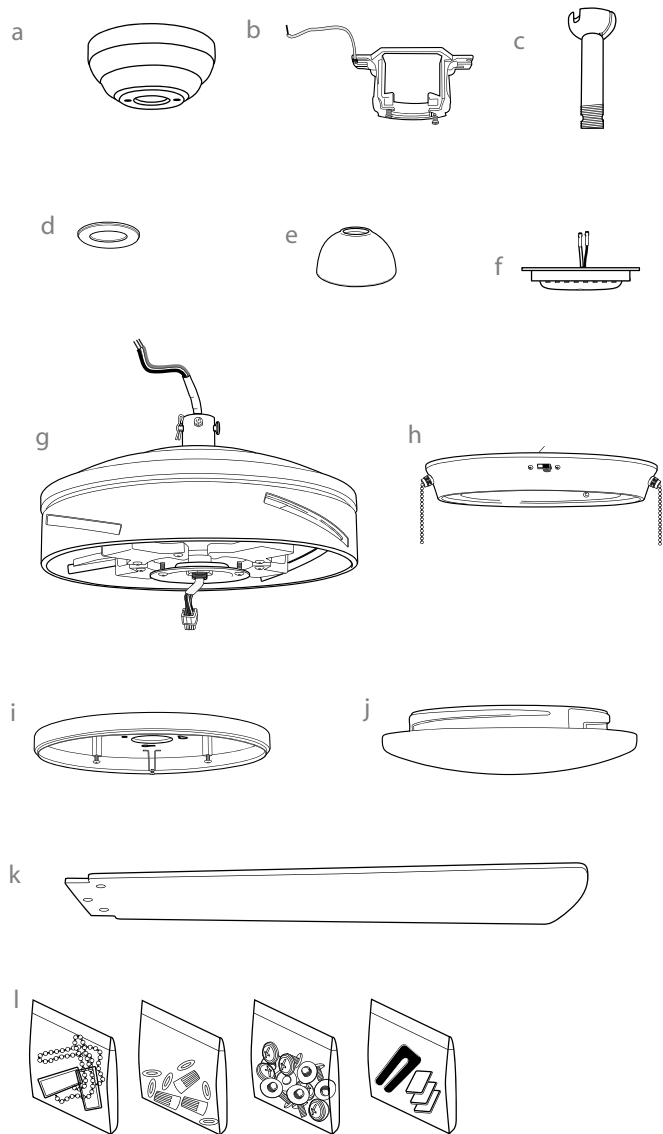
# 1. Unpacking Your Fan.

Carefully open the packaging. Remove items from Styrofoam inserts. Remove motor housing and place on carpet or Styrofoam to avoid damage to finish. Do not discard fan carton or Styrofoam inserts should this fan need to be returned for repairs. Check against parts inventory that all parts have been included.



## 2. Parts Inventory.

- a.** canopy. 1 piece
- b.** hanging bracket. 1 piece
- c.** downrod and hanging ball. 1 piece
- d.** canopy cover (in hardware pack). 1 piece
- e.** yoke cover. 1 piece
- f.** LED light kit. 1 piece
- g.** motor housing. 1 piece
- h.** light kit fitter. 1 piece
- i.** fitter plate. 1 piece
- j.** glass shade. 1 piece
- k.** blade. 4 pieces
- l.** hardware packs



**! IMPORTANT REMINDER:** You must use the parts provided with this fan for proper installation and safety. **!**

### 3. Installation Preparation.

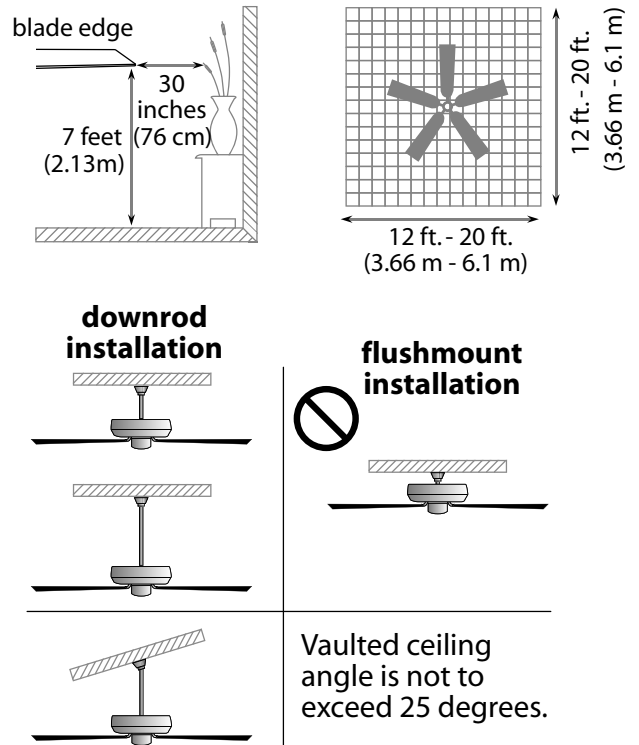
To prevent personal injury and damage, ensure that the hanging location allows the blades a clearance of 7ft. (2.13m) from the floor and 30in. (76cm) from any wall or obstruction.

This fan is suitable for room sizes up to 400 square feet (37.2 square meters).

This fan can be mounted with a **downrod** on a regular (no-slope) or vaulted ceiling. The hanging length can be extended by purchasing a longer downrod (0.5in./1.27cm diameter). Other installation such as **flushmount** is not available for this fan.

**Installation requires these tools:**

Phillips screwdriver, flat-head screwdriver, adjustable pliers or wrench, stepladder, wire cutters, and rated electrical tape.



### 4. Hanging Bracket Installation.

Turn off circuit breakers to current fixture from breaker panel and be sure operating light switch is turned to the OFF position.

**WARNING:** Failure to disconnect power supply prior to installation may result in serious injury.

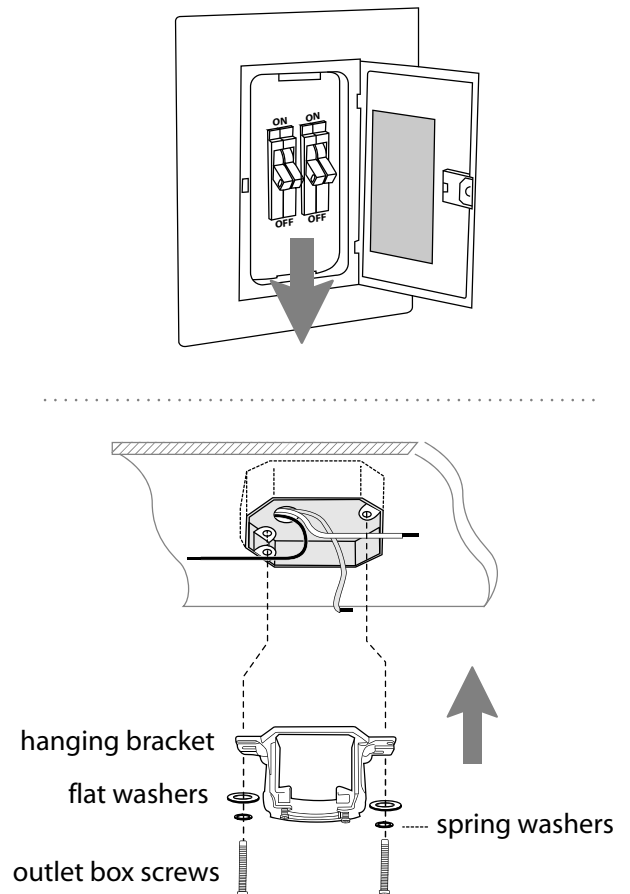
Remove existing fixture.

**WARNING:** When using an existing outlet box, be sure the outlet box is securely attached to the building structure and can support the full weight of the fan. Ensure outlet box is clearly marked "Suitable for Fan Support." If not, it must be replaced with an approved outlet box. Failure to do so can result in serious injury.

**CAUTION:** Be sure outlet box is grounded properly and that a ground wire (**GREEN** or bare) is present.

Install hanging bracket to outlet box using original screws, spring washers and flat washers provided with new or original outlet box.\* If installing on a vaulted ceiling, face opening of hanging bracket towards high point of ceiling. Arrange electrical wiring around the back of the hanging bracket and away from the hanging bracket opening.

**\*Note:** It is very important that you use the proper hardware when installing the hanging bracket as this will support the fan.



## 5. Fan Assembly.

Remove hanging ball from downrod provided by loosening set screw on hanging ball. Lower hanging ball and remove stop pin and then slide hanging ball off of the downrod. [Refer to **diagram 1**.]

Loosen yoke set screws and nuts at top of motor housing. Remove pin and clip from motor housing yoke. [Refer to **diagram 2**.]

**Tip:** To prepare for threading electrical wires through downrod, apply a small piece of electrical tape to the ends of the electrical wires--this will keep the wires together when threading them through the downrod. [Refer to **diagram 2**.]

Determine the length of downrod you wish to use. Thread safety cable and electrical wires through threaded end of downrod and pull extra wire slack from the upper end of the downrod. [Refer to **diagram 2**.]

Thread downrod into the motor housing yoke until holes for pin and clip in downrod align with holes in yoke--*make sure wires do not get twisted*. Re-insert pin and clip that were previously removed. Tighten yoke set screws and nuts securely. [Refer to **diagram 2**.]

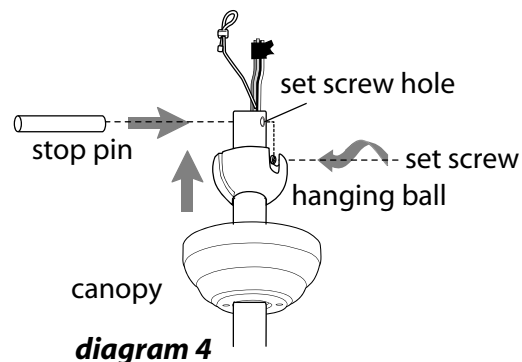
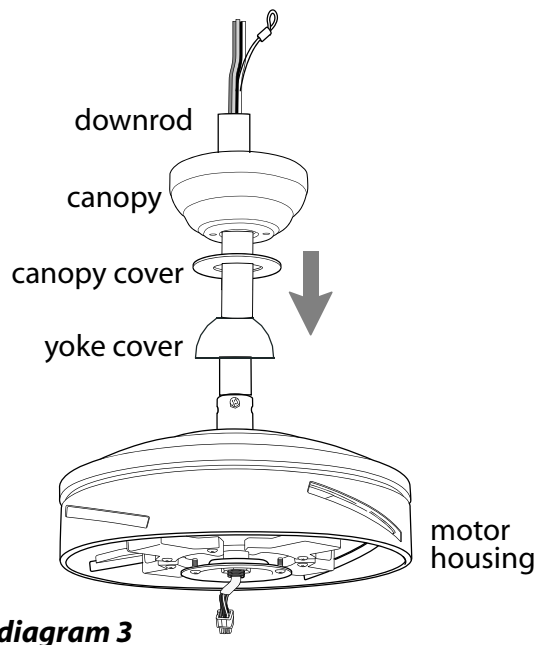
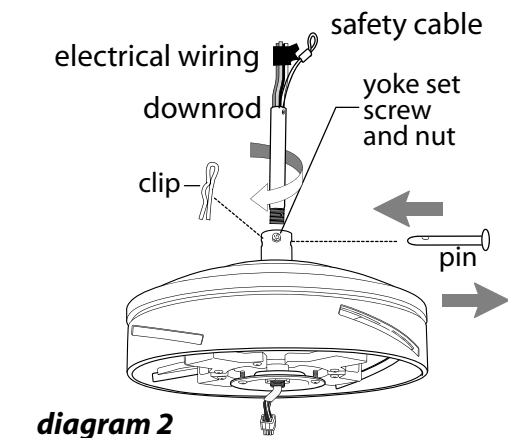
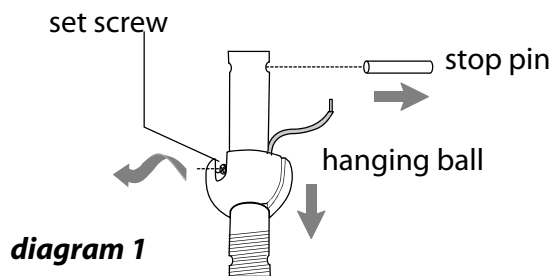
Locate canopy cover in hardware pack. Slide yoke cover, canopy cover and canopy over downrod. [Refer to **diagram 3**.] (**Note:** Canopy cover must be turned with shiny side *toward* motor housing.)

Thread safety cable and wires through hanging ball; then slide hanging ball over downrod--the top of the downrod should be noted as having a set screw hole; use this hole when setting the set screw. Insert stop pin into top of downrod and raise hanging ball. Be sure stop pin aligns with slots on the inside of the hanging ball. Tighten set screw securely. [Refer to **diagram 4**.] Lower yoke cover to motor housing.

**WARNING:** Failure to tighten set screw on hanging ball completely could result in the fan becoming loose and possibly falling.

["Fan Assembly" continued on next page.]

**NOTE:** The important safety precautions and instructions appearing in the manual are not meant to cover all possible conditions and situations that may occur. It must be understood that common sense and caution are necessary factors in the installation and operation of this fan.



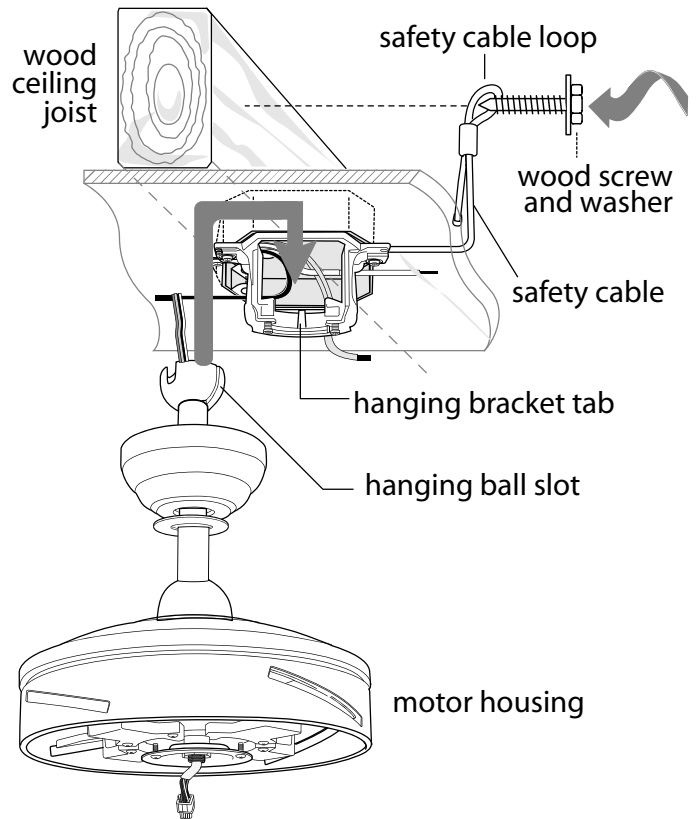
## 5. Fan Assembly. (cont.)

With the hanging bracket secured to the outlet box and able to support the fan, you are now ready to hang your fan. Grab the fan firmly with two hands. Slide downrod through opening in hanging bracket and let hanging ball rest on the hanging bracket. Turn the hanging ball slot until it lines up with the hanging bracket tab.

**WARNING:** Failure to align slot in hanging ball with tab in hanging bracket may result in serious injury or death.

**Tip:** Seek the help of another person to hold the stepladder in place and to lift the fan up to you once you are set on the ladder.

Find a secure attachment point (wood ceiling joist highly recommended) and secure safety cable. It will be necessary to use a heavy duty wood screw, washer and lock washer (not supplied) with the safety cable loop. If necessary, adjust the loop at the end of the safety cable. The loop at the end of the safety cable should just fit over the threads on the wood screw. *Test safety cable by pulling on loose end with pliers. If the safety cable slips, the loop must be adjusted tighter.* Extra cable slack can be left in ceiling area.



## 6. Wiring.

**CAUTION:** Be sure outlet box is properly grounded and that a ground wire (**GREEN** or **Bare**) is present.

Make sure all electrical connections comply with Local Codes or Ordinances and the National Electrical Code. If you are unfamiliar with electrical wiring or if the house/building wires are different colors than those referred to in the instructions below, please use a qualified electrician.

**Note:** Excess lead wire length from the fan can be cut to the desired length and then stripped.

When fan is secured in place on the hanging bracket, electrical wiring can be made as follows:

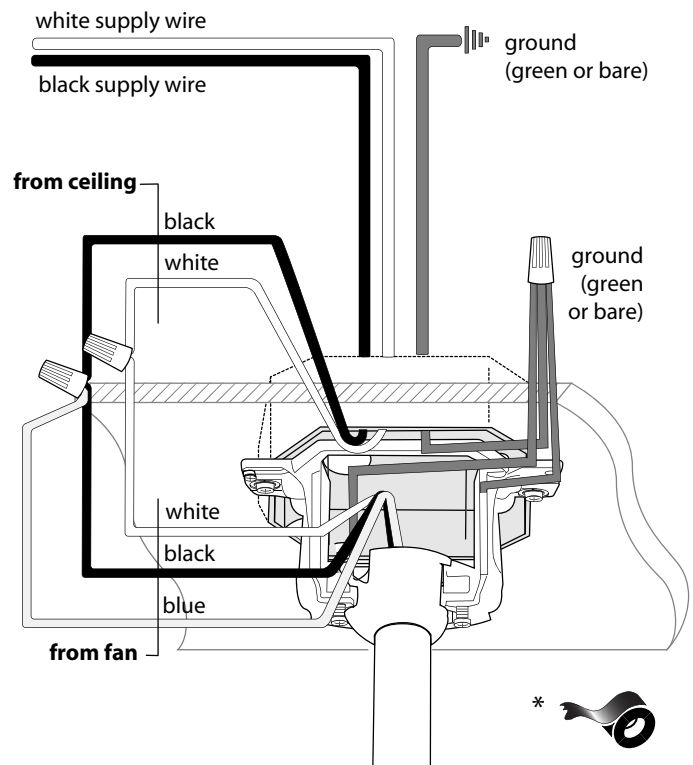
Connect **BLACK** and **BLUE** wires from fan to **BLACK** wire from ceiling with wire connector provided.

Connect **WHITE** wire from fan to **WHITE** wire from ceiling with wire connector provided.

Connect all **GROUND (GREEN)** wires together from fan to **BARE/GREEN** wire from ceiling with wire connector provided.

If you intend to control the fan light with a separate light switch connect **BLUE** wire from fan to the **BLACK (or RED)** supply from the independent switch.

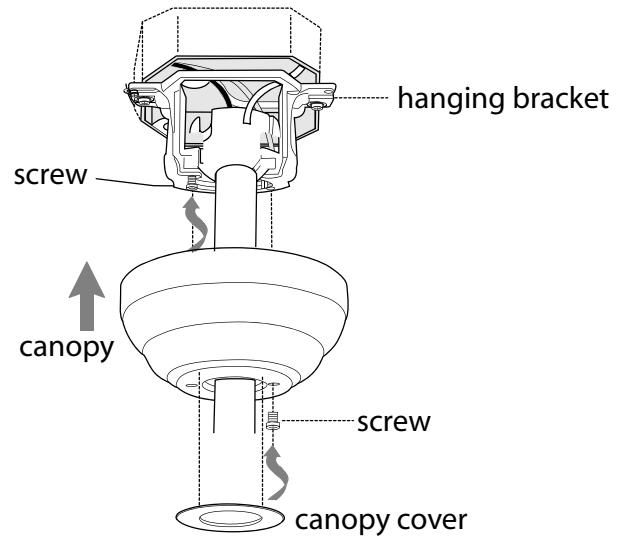
\* Wrap each wire connector separately with electrical tape as an extra safety measure.



*This fan is remote control adaptable (remote control sold separately).*

## 7. Canopy Assembly.

Locate 2 screws on underside of hanging bracket and remove screw closest to the open end of the hanging bracket. Partially loosen the other screw. Lift canopy to hanging bracket. Place rounded part of slotted hole in canopy over loosened screw in hanging bracket and push up. Twist canopy to lock. Re-insert screw that was removed and then tighten both screws securely. Slide canopy cover up to canopy, aligning rounded part of slotted holes in canopy cover with screwheads in bottom of canopy. Turn canopy cover to the right (clockwise) until it stops.



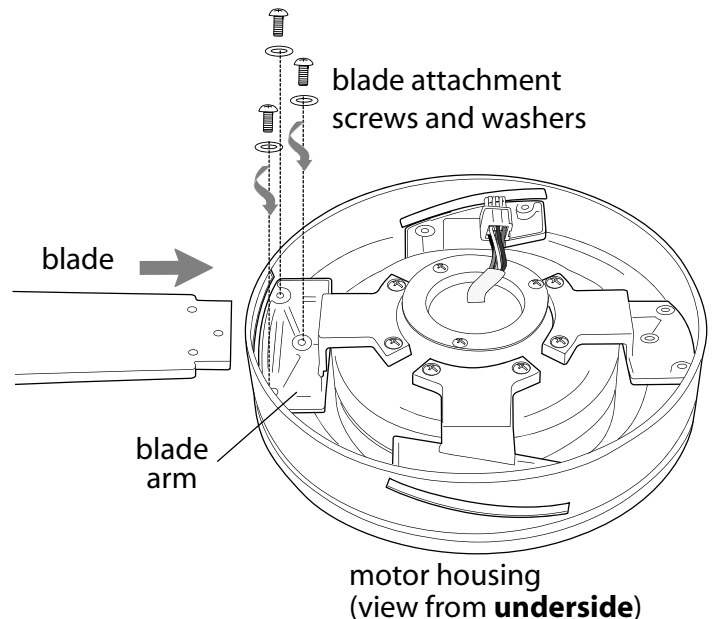
## 8. Blade Assembly.

**WARNING:** To reduce the risk of serious bodily injury, DO NOT use power tools to assemble the blades. If overtightened, blades may crack and break.

**Time Saver:** Washers for blade screws can be set on each blade screw prior to installing blades.

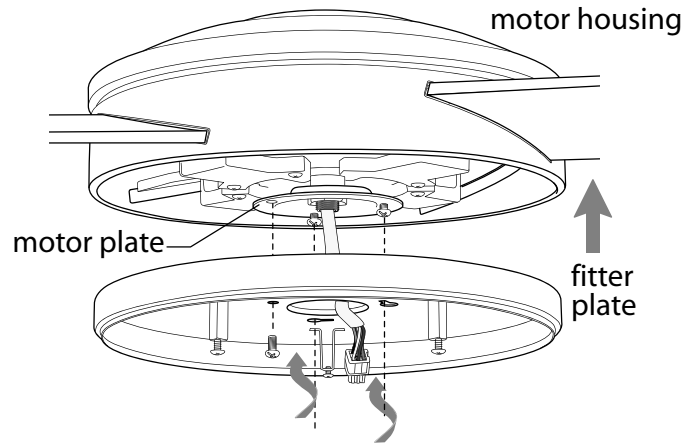
Locate 12 blade attachment screws and washers in hardware pack. Slide blade through one of the narrow, rectangular openings on motor housing, aligning holes in blade with holes in blade arm (**located on the underside of the motor housing**)--refer to drawing at right. Insert 3 blade attachment screws (along with washers) with fingers first and then tighten screws securely with a Phillips screwdriver. Repeat procedure for each remaining blade.

**Note:** Tighten blade arm screws twice a year.



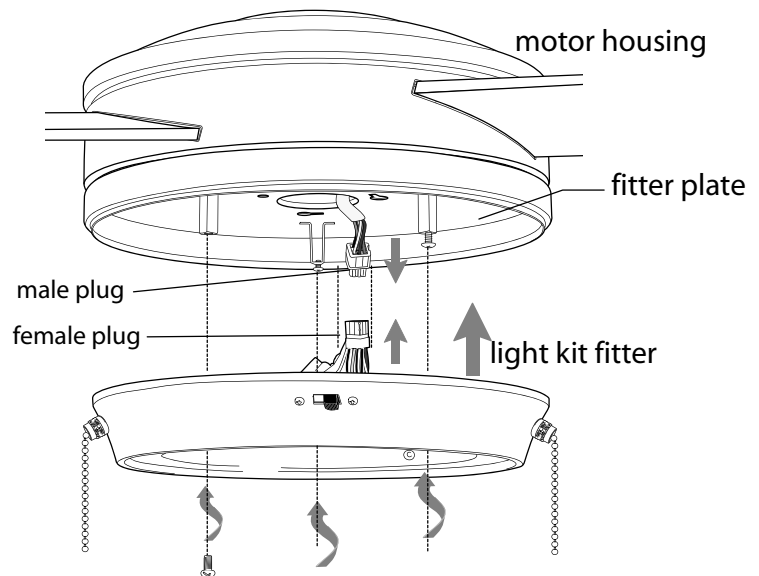
## 9. Light Kit Assembly.

Remove 1 screw from motor plate on underside of motor housing and partially loosen the other 2 screws. Align slotted holes in center of fitter plate with loosened screws in motor plate, allowing the male plug from motor housing to come through hole in middle of fitter plate. Twist fitter plate to lock. Re-insert screw that was previously removed and securely tighten all 3 screws with a Phillips screwdriver. (**diagram 1**)



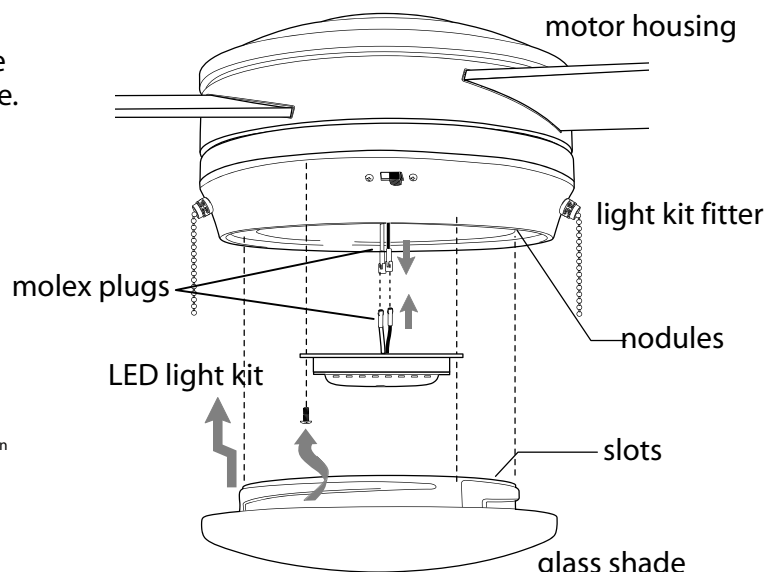
**diagram 1**

Remove 1 screw from post located on underside of fitter plate and partially loosen the other 2 screws on the other 2 posts. Connect male plug from motor housing to female plug from the light kit fitter. Make sure plugs connect tightly. Align slotted holes in light kit fitter with loosened screws in fitter plate. Twist light kit fitter to lock. Re-insert screw that was previously removed and tighten all 3 screws securely. (**diagram 2**)



**diagram 2**

Remove 1 screw from light kit fitter and partially loosen the other 2 screws. Connect **WHITE** wire from LED light kit to **WHITE** wire from light kit fitter. Connect **BLACK** wire from LED light kit to **BLACK** (or **BLUE**) wire from light kit fitter. Be sure that moxex connections snap together completely. Align slotted holes in outer edge of LED light kit with loosened screws in light kit fitter. Twist LED light kit to lock. Re-insert screw that was removed and secure all screws. (**diagram 3**)



**diagram 3**

Locate slots on glass shade and align with nodules on light kit fitter. Slide glass shade onto light kit fitter and gently turn glass shade in a clockwise direction until it slides into place. (**diagram 3**)

**NOTE:** Pull down **VERY GENTLY** on glass shade to make sure that glass shade is secure.

\*NOTE: This equipment has been tested and found to comply with the limits for a Class B digital device, pursuant to Part 15 of the FCC Rules. These limits are designed to provide reasonable protection against harmful interference in a residential installation. This equipment generates, uses and can radiate radio frequency energy and, if not installed and used in accordance with the instructions, may cause harmful interference to radio communications. However, there is no guarantee that interference will not occur in a particular installation. If this equipment does cause harmful interference to radio or television reception, which can be determined by turning the equipment off and on, the user is encouraged to try to correct the interference by one or more of the following measures:

- \* Reorient or relocate the receiving antenna.
- \* Increase the separation between the equipment and receiver.
- \* Connect the equipment into an outlet on a circuit different from that to which the receiver is connected.

Consult the dealer or an experienced radio/TV technician for help.

## 10. Testing Your Fan.

It is recommended that you test fan before finalizing installation. Restore power from circuit box and light switch (if applicable). Test fan speeds with the pull chain labeled FAN. Start at the OFF position (no blade movement). First pull will set the fan to HI. Second pull will set the fan to MEDIUM. Third pull will set the fan to LOW. Fourth pull will again set the fan to the OFF setting. Test light with the pull chain labeled LIGHT. (**diagram 1**) If fan and/or light do (does) not function, please refer to "Troubleshooting" section to solve any issues before contacting Customer Service.

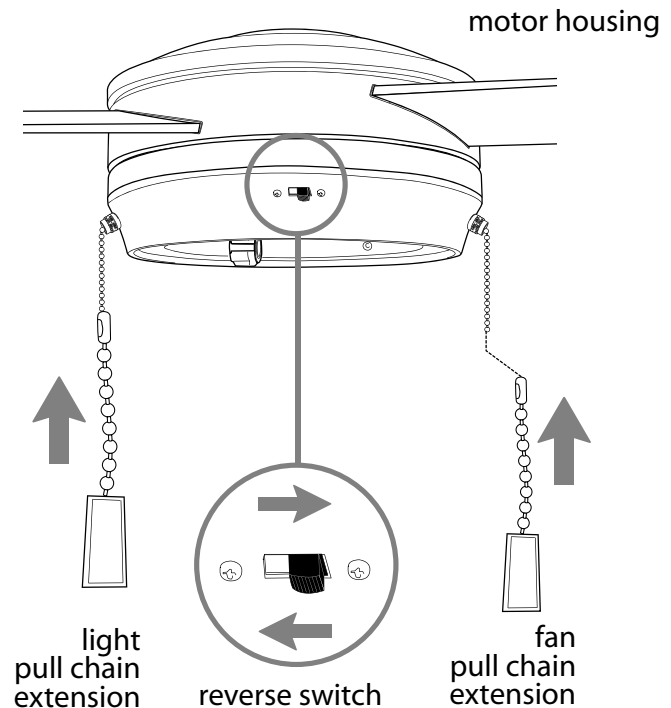
Turn fan completely off *before* moving the reverse switch. Set reverse switch to recirculate air depending on the season:

- LEFT position in summer (**diagram 2**)
- RIGHT position in winter (**diagram 3**)

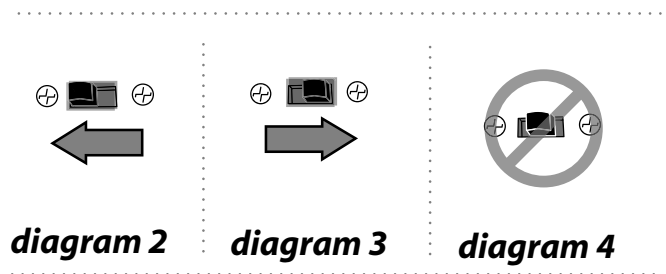
A ceiling fan will allow you to raise your thermostat setting in summer and lower your thermostat setting in winter without feeling a difference in your comfort.

**Important:** Reverse switch must be set either *completely LEFT* or *completely RIGHT* for fan to function. If the reverse switch is set in the *middle* position (**diagram 4**), fan will not operate.

Attach pull chain extensions supplied or custom pull chain extensions (sold separately) to ends of the pull chains.



**diagram 1**



## Troubleshooting.

**WARNING:** Failure to disconnect power supply prior to troubleshooting any wiring issues may result in serious injury.

**Problem:** Fan fails to operate.

**Solutions:**

1. Check wall switch to fan.
2. Verify that reverse switch is set completely in either direction.
3. Check to be sure fan is wired properly.
4. Verify that male and female plugs are connected properly in light kit fitter.

**Problem:** LED light kit not lighting. **Solutions:**

1. Check wall switch to fan.
2. Check to be sure wires in canopy are wired properly.
3. Verify that molex connections in LED light kit are properly connected.

**Problem:** Fan operates but light fails.

**Solutions:**

1. Check to be sure wires in canopy are wired properly.
2. Verify that molex connections in LED light kit are properly connected.

**Problem:** Fan wobbles.

**Solutions:**

1. Use the balancing kit provided in one of the hardware packs.
2. Check to be sure set screw(s) on motor housing yoke is (are) tightened securely.
3. Check to be sure set screw on hanging ball is tightened securely.

## Warranty.

**LIFETIME LIMITED WARRANTY:** We warrants this fan to the original household purchaser for indoor use under the following provisions:

**1-YEAR WARRANTY:** We will replace or repair any fan which has faulty performance due to a defect in material or workmanship. We will repair or ship you a replacement fan, and we will pay the return shipping cost.

**5-YEAR WARRANTY:** We will repair or replace, at no charge to the original purchaser, any fan motor that fails to operate satisfactorily when failure results from normal use.

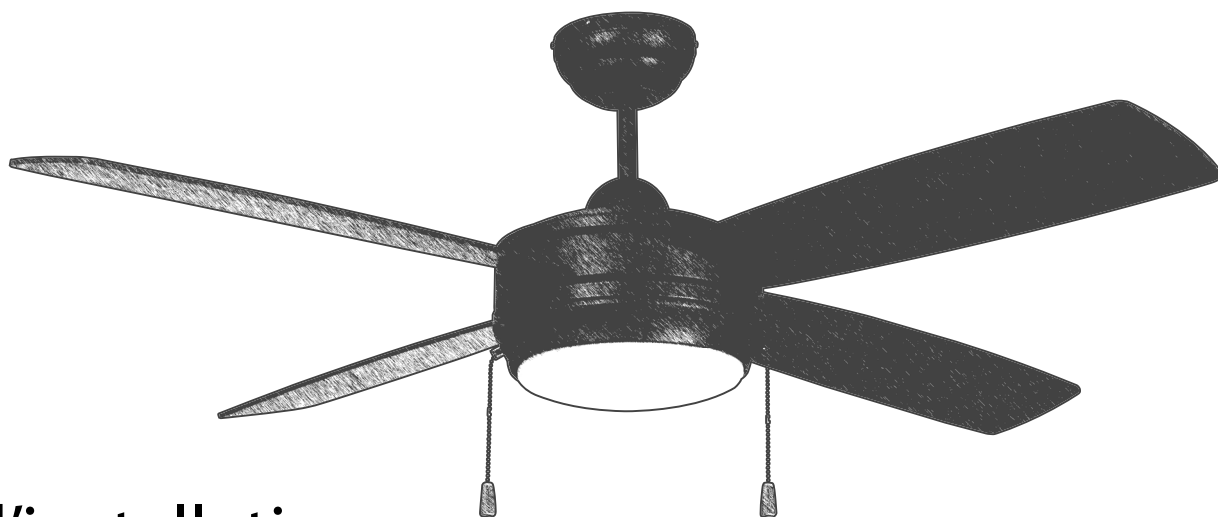
**RETURN FAN MOTOR ONLY,** shipping prepaid, to Industries. We will repair or ship purchaser a replacement motor and we will pay the return shipping cost.

**6-YEAR to LIFETIME LIMITED WARRANTY:**

We will repair the fan, at no charge for labor only to the original purchaser, if the fan motor fails to operate satisfactorily when failure results from normal use. Parts used in the repair will be billed to the purchaser at prevailing prices at time of repair.

The purchaser shall be responsible for all costs incurred in the removal, reinstallation and shipping of the product for repairs. This warranty does not apply when damage from mechanical, physical, electrical or water abuse results in causing the malfunction. Deterioration of finishes or other parts due to time or exposure to salt air is specifically exempted under this warranty. Neither we nor the manufacturer will assume any liability resulting from improper installation or use of this product. In no case shall the company be liable for any consequential damages for breach of this, or any other warranty expressed or implied whatsoever. This limitation as to consequential damages shall not apply in states where prohibited.

LISEZ ET CONSERVEZ CES INSTRUCTIONS  
POUR UN USAGE ULTÉRIEUR



## Guide d'installation

### Table des matières :

Conseils de sécurité.	pge 1
Déballage du ventilateur.	pge 2
Inventaire des pièces.	pge 2
Préparation à l'installation.	pge 3
Installation du support de suspension.	pge 3
Assemblage du ventilateur.	pges 4 et 5
Câblage.	pge 5
Assemblage de la monture.	pge 6
Assemblage des pales.	pge 6
Assemblage du luminaire.	pge 7
Essai du ventilateur.	pge 8
Dépannage.	pge 9
Remplacement des pièces.	pge 9
Garantie.	pge 9

# CONSEILS DE SÉCURITÉ.

**AVERTISSEMENT :** Pour réduire le risque de choc électrique, coupez le courant alimentant le ventilateur au niveau de la boîte à fusibles principale ou du tableau de distribution principal avant d'entamer l'installation du ventilateur ou avant d'effectuer un service ou d'installer des accessoires sur le ventilateur.

1. **LISEZ TOUTES LES INSTRUCTIONS ET CONSIGNES DE SÉCURITÉ AVEC SOIN AVANT D'INSTALLER LE VENTILATEUR ET CONSERVEZ CES INSTRUCTIONS.**

**ATTENTION :** Pour éviter les blessures corporelles, il peut s'avérer nécessaire de porter des gants pendant la manipulation des pièces du ventilateur aux bords tranchants.

- Assurez-vous que tous les branchements électriques sont conformes aux codes et règlements locaux, au Code national de l'électricité et à l'ANSI/NFPA 70-1999. En cas de doute quant à la réalisation du câblage électrique ou si les fils de la maison/du bâtiment sont de couleurs différentes de ceux identifiés dans les instructions, veuillez consulter un électricien qualifié.
- Assurez-vous que vous avez choisi un emplacement pour votre ventilateur qui accorde un dégagement suffisant pour permettre aux pales de tourner et au moins 2,13 mètres (7 pieds) de dégagement entre le sol et les pointes des pales du ventilateur. Il faut installer le ventilateur de façon à ce que les pales se trouvent à au moins 76 centimètres (30 pouces) des murs ou autres structures verticales.
- La boîte de sortie de courant et la solive de support du plafond doivent être solidement fixées et capables de supporter un minimum de 15,9 kilos (35 livres). La boîte de sortie de courant doit être directement supportée par la structure du bâtiment. Utilisez uniquement des boîtes de sortie de courant homologuées CUL (Canada) ou UL (É.-U.), portant la mention « POUR SUPPORTER UN VENTILATEUR ».

**AVERTISSEMENT :** Pour réduire le risque d'incendie, de choc électrique ou de blessure corporelle, installez sur une boîte de sortie de courant portant la mention « Capable de supporter un ventilateur de 15,9 kg (35 lb) ou moins » et utilisez les vis de montage fournies avec la boîte de sortie de courant. La plupart des boîtes de sortie de courant utilisées couramment pour le support de luminaires ne conviennent pas aux ventilateurs et peuvent devoir être remplacées. En cas de doute, consultez un électricien qualifié.

**AVERTISSEMENT :** Pour réduire les risques d'incendie, de choc électrique ou de blessures corporelles, les capuchons de connexion fournis avec ce ventilateur sont conçus pour recevoir au plus un fil de câblage domestique de calibre 12 et deux fils en provenance du ventilateur. Si le calibre du fil de câblage de la maison est supérieur à 12 ou s'il y a plus d'un fil de câblage de la maison à raccorder au câblage de sortie correspondant du ventilateur, consultez un électricien pour connaître la bonne taille des capuchons de connexion à utiliser.

- Les schémas électriques sont fournis à titre indicatif seulement.
- Une fois l'installation terminée, vérifiez que toutes les connexions sont parfaitement solides et sécuritaires.
- Après avoir effectué les branchements électriques, tournez les conducteurs épaissés vers le haut et insérez-les soigneusement dans la boîte de sortie de courant. Les fils doivent être écartés de façon à ce que le conducteur mis à la terre et le conducteur de mise à la terre de l'équipement soient sur les côtés opposés de la boîte de sortie de courant.

**AVERTISSEMENT :** Pour réduire les risques d'incendie ou de choc électrique et pour éviter le bourdonnement, n'utilisez ce ventilateur avec aucun dispositif de réglage de vitesse transistorisé et ne contrôlez pas la vitesse du ventilateur avec un gradateur pleine gamme. [L'utilisation d'un gradateur pleine gamme pour contrôler la vitesse du ventilateur causera un bourdonnement fort du ventilateur.]

(Remarque : Ce ventilateur convient à une utilisation avec télécommande.)

- N'utilisez pas l'interrupteur d'inversion avant que le ventilateur ne soit complètement arrêté.
- Ne placez rien entre les pales du ventilateur pendant qu'elles tournent.

**AVERTISSEMENT :** Pour réduire les risques de blessure corporelle, ne pliez pas les supports de pale pendant l'assemblage ou après l'installation. Ne placez pas d'objets dans la trajectoire des pales.

**AVERTISSEMENT :** Pour éviter les blessures ou éviter d'endommager le ventilateur ou d'autres objets, faire preuve de prudence en travaillant près du ventilateur ou en le nettoyant.

- N'utilisez ni eau ni détergents pour nettoyer le ventilateur ou les pales du ventilateur. Un chiffon à poussière ou un linge légèrement humide conviennent en général pour le nettoyage.

**AVERTISSEMENT :** Pour réduire les risques de blessure corporelle, **n'utilisez que** les pièces fournies avec ce ventilateur. **L'utilisation de pièces AUTRES que celles fournies avec ce ventilateur annulera la présente garantie.**

**AVERTISSEMENT :** Ce ventilateur DOIT être installé à l'aide du câble de sécurité fourni avec le ventilateur. Ne pas utiliser le câble de sécurité fourni peut entraîner des blessures corporelles graves, des dommages au ventilateur ou d'autres dommages matériels.

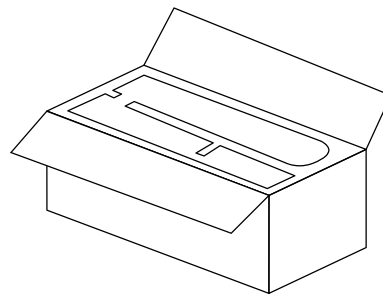
**ATTENTION :** NE modifiez ou tentez PAS de réparer tout composant DEL du luminaire. La source de lumière est conçue pour cette application particulière et ne doit pas faire l'objet d'un service par un personnel non formé. Pour tout service requis, veuillez communiquer avec l'équipe du service à la clientèle.

- L'intensité du luminaire peut être réduite à 10 % avec certains gradateurs.

**REMARQUE :** Les mesures et consignes de sécurité importantes de ce manuel ne sont pas destinées à couvrir toutes les conditions et situations possibles. L'utilisateur doit comprendre qu'il est essentiel de faire preuve de bon sens et de prudence pendant l'installation et l'utilisation de ce ventilateur.

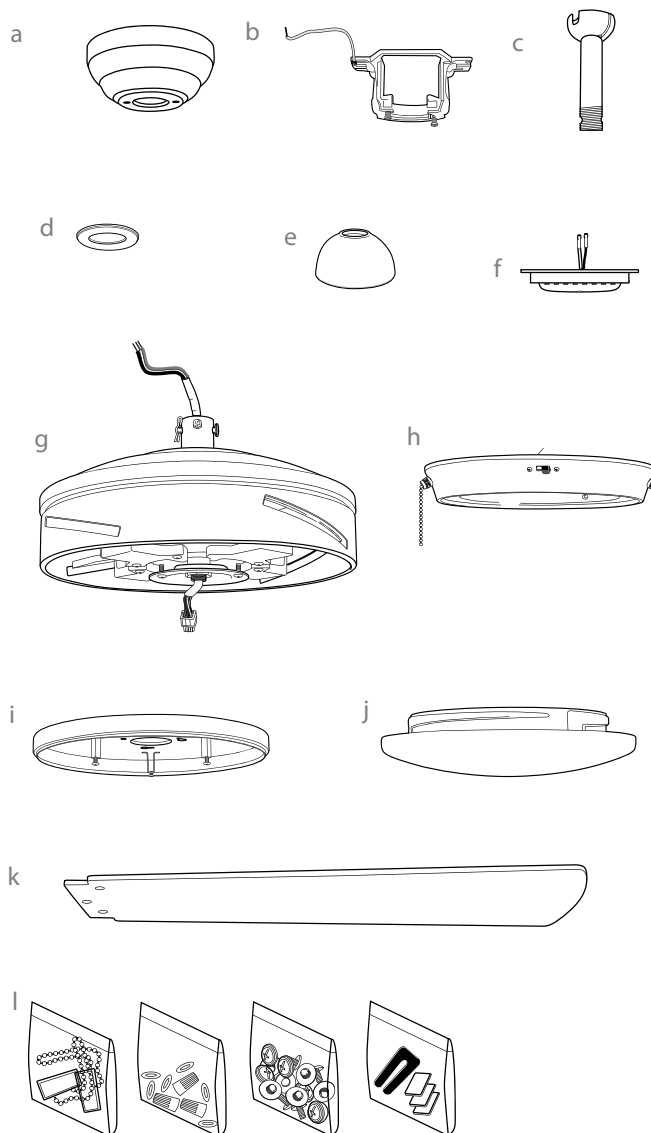
# 1. Déballage du ventilateur.

Ouvrez l'emballage avec soin. Retirez les articles des protections en mousse de polystyrène. Retirez le boîtier du moteur et placez-le sur un tapis ou de la mousse en polystyrène, pour éviter d'endommager son fini. Ne jetez pas la boîte du ventilateur ni les protections en mousse de polystyrène, au cas où le ventilateur aurait besoin d'être retourné pour des réparations. Vérifiez que toutes les pièces figurant sur l'inventaire sont présentes.



## 2. Inventaire des pièces.

- a.** monture. 1 pièce
- b.** support de suspension. 1 pièce
- c.** tige et boule de suspension. 1 pièce
- d.** couvercle de monture (dans le sac de quincaillerie). 1 pièce
- e.** couvercle de la chape. 1 pièce
- f.** luminaire à DEL. 1 pièce
- g.** boîtier du moteur. 1 pièce
- h.** adaptateur pour luminaire. 1 pièce
- i.** plaque d'adaptateur. 1 pièce
- j.** abat-jour en verre. 1 pièce
- k.** pale. 4 pièces
- l.** sacs de quincaillerie



**⚠ RAPPEL IMPORTANT :** Vous devez utiliser les pièces fournies avec le ventilateur pour assurer une installation correcte et la sécurité. **⚠**

### 3. Préparation à l'installation.

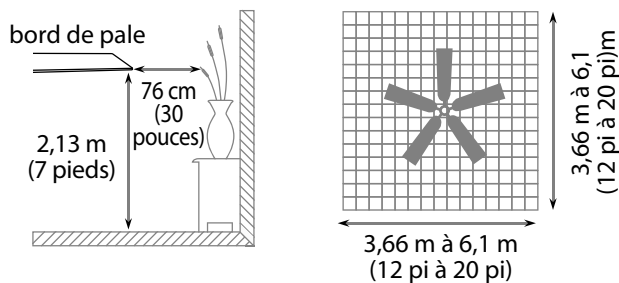
Pour éviter les blessures corporelles et les dommages, assurez-vous que l'emplacement de suspension accorde aux pales un dégagement de 2,13 m (7 pi) du sol et de 76 cm (30 po) de tout mur ou obstruction.

Ce ventilateur convient aux pièces mesurant jusqu'à 37,2 mètres carrés (400 pieds carrés).

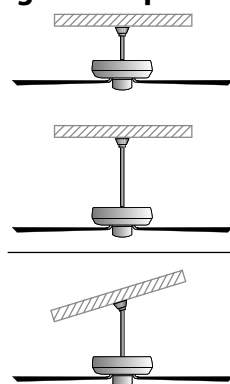
Ce ventilateur peut être installé avec une **tige de suspension** sur un plafond ordinaire (sans pente) ou en voûte. La longueur de suspension peut être allongée en achetant une tige de suspension plus longue (1,27 cm/0,5 po de diamètre). Une autre installation, telle qu'en **plafonnier**, n'est pas possible pour ce ventilateur.

#### L'installation requiert les outils suivants :

Tournevis cruciforme, tournevis à tête plate, pince réglable ou clé à molette, escabeau, coupe-fils et ruban isolant homologué.



#### Installation avec tige de suspension



#### Installation en plafonnier



L'angle du plafond en voûte ne doit pas dépasser 25 degrés.

### 4. Installation du support de suspension.

Désactivez les disjoncteurs contrôlant l'appareil actuel au niveau du tableau à disjoncteurs et veillez à ce que l'interrupteur d'éclairage utilisé soit en position ARRÊT (OFF).  
**AVERTISSEMENT :** Ne pas déconnecter l'alimentation électrique avant l'installation peut entraîner des blessures graves.

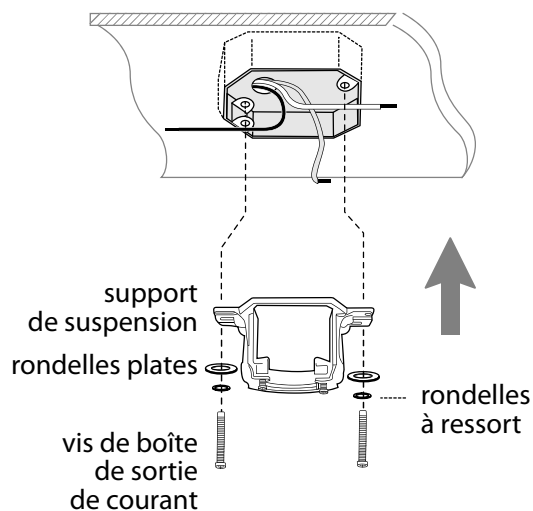
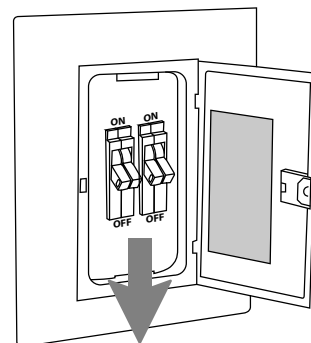
Retirez l'appareil existant.

**AVERTISSEMENT :** En cas d'utilisation d'une boîte de sortie de courant existante, assurez-vous que la boîte de sortie de courant est bien fixée à la structure du bâtiment et qu'elle sera capable de supporter le poids total du ventilateur. Assurez-vous que la boîte de sortie de courant porte clairement la mention « Peut supporter un ventilateur. » Sinon, il faut la remplacer par une boîte de sortie de courant approuvée. Manquer à le faire pourrait entraîner des blessures graves.

**ATTENTION :** Assurez-vous que la boîte de sortie de courant est bien mise à la terre et qu'un fil mis à la terre (**VERT** ou dénudé) est présent.

Fixez le support de suspension à la boîte de sortie de courant à l'aide des vis, rondelles à ressort et rondelles plates originales fournies avec la boîte de sortie de courant neuve ou originale. \* Si vous installez sur un plafond en voûte, orientez l'ouverture du support de suspension vers le point haut du plafond. Organisez les fils électriques autour du dos du support de suspension et loin de l'ouverture du support de suspension.

**\*Remarque :** Il est très important d'utiliser la quincaillerie correcte lorsque vous installez le support de suspension, puisque c'est cet ensemble qui supportera le ventilateur.



## 5. Assemblage du ventilateur.

Retirez la boule de suspension de la tige de suspension fournie en desserrant la vis de pression de la boule de suspension. Abaissez la boule de suspension et retirez la goupille de blocage, puis faites glisser la boule de suspension pour la retirer de la tige de suspension.

[Reportez-vous au **schéma 1**.]

Desserrez les vis de pression et écrous de la chape en haut du boîtier du moteur. Retirez la goupille et l'attache de la chape du boîtier du moteur. [Reportez-vous au **schéma 2**.]

**Conseil :** Pour vous préparer à enfiler les fils électriques dans la tige de suspension, posez un petit morceau de ruban isolant aux extrémités des fils électriques—ceci gardera les fils ensemble, puis enfiler-les dans la tige de suspension. [Reportez-vous au **schéma 2**.]

Déterminez la longueur de la tige de suspension que vous souhaitez utiliser. Enfilez le câble de sécurité et les fils électriques par l'extrémité filetée de la tige de suspension et tirez l'excès de mou de fil à partir de l'extrémité supérieure de la tige de suspension. [Reportez-vous au **schéma 2**.]

Vissez la tige de suspension sur la chape du boîtier du moteur, jusqu'à ce que les trous de goupille et d'attache de la tige de suspension soient alignés sur les trous de la chape—assurez-vous que les fils ne sont pas tordus. Remplacez la goupille et l'attache retirées auparavant. Serrez bien les vis de pression et les écrous de la chape. [Reportez-vous au **schéma 2**.]

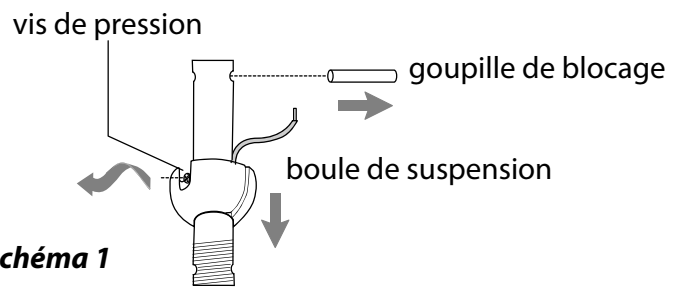
Repérez le couvercle de monture dans le sac de quincaillerie. Faites glisser le couvercle de la chape, le couvercle de monture et la monture par-dessus la tige de suspension. [Reportez-vous au **schéma 3**.] (**Remarque :** Le couvercle de monture doit être tourné avec le côté brillant vers le boîtier du moteur.)

Enfilez le câble de sécurité et les fils dans la boule de suspension, puis faites glisser la boule de suspension par-dessus la tige de suspension—vous devez vous assurer que le haut de la tige de suspension est dotée d'un trou de vis de pression; servez-vous de ce trou pour installer la vis de pression. Insérez la goupille de blocage dans le haut de la tige de suspension et élevez la boule de suspension. Assurez-vous que la goupille de blocage est alignée sur les fentes à l'intérieur de la boule de suspension. Serrez bien la vis de pression. [Reportez-vous au **schéma 4**.] Abaissez le couvercle de la chape jusqu'au boîtier du moteur.

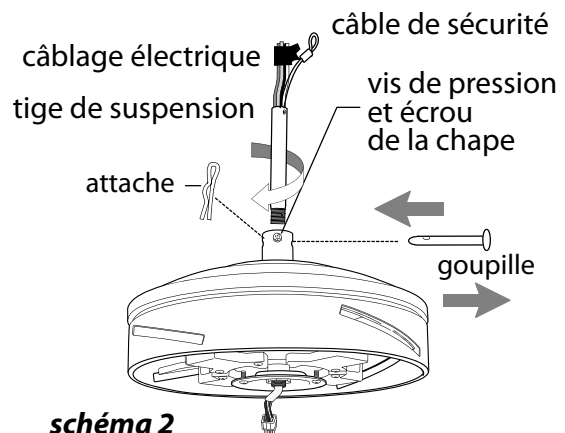
**AVERTISSEMENT :** Ne pas serrer complètement la vis de pression sur la boule de suspension pourrait entraîner le desserrage du ventilateur et éventuellement sa chute.

[« **Assemblage du ventilateur** » suite à la page suivante.]

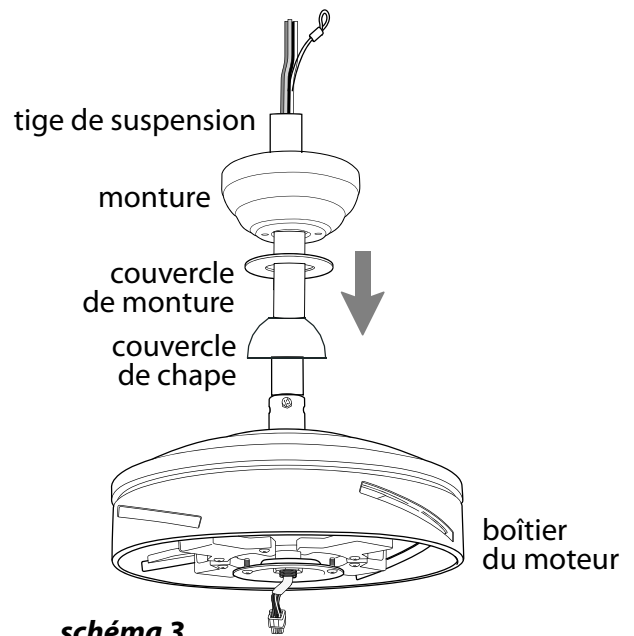
**REMARQUE :** Les mesures et consignes de sécurité importantes de ce manuel ne sont pas destinées à couvrir toutes les conditions et situations possibles. L'utilisateur doit comprendre qu'il est essentiel de faire preuve de bon sens et de prudence pendant l'installation et l'utilisation de ce ventilateur.



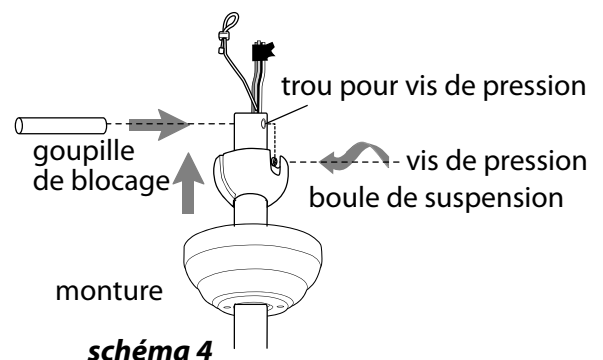
**schéma 1**



**schéma 2**



**schéma 3**



**schéma 4**

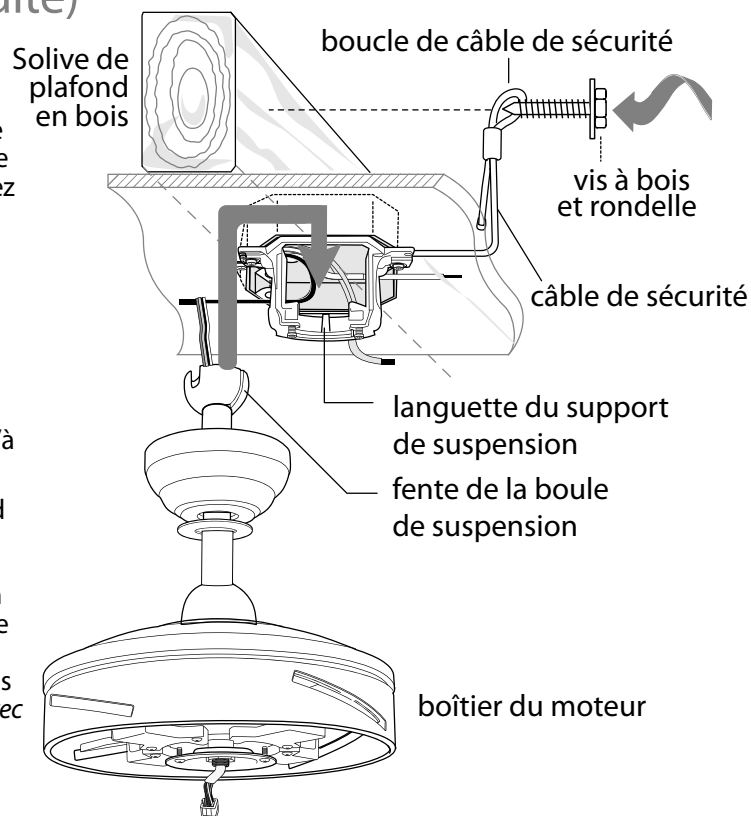
## 5. Assemblage du ventilateur. (suite)

Avec le support de suspension fixé solidement sur la boîte de sortie de courant et capable de supporter le ventilateur, vous êtes maintenant prêt(e) à suspendre le ventilateur. Saisissez le ventilateur fermement des deux mains. Faites glisser la tige de suspension par l'ouverture du support de suspension et laissez la boule de suspension reposer sur le support de suspension. Tournez la fente de la boule de suspension jusqu'à ce qu'elle s'aligne avec la languette du support de suspension.

**AVERTISSEMENT :** Ne pas aligner la fente de la boule de suspension avec la languette du support de suspension peut entraîner une blessure grave ou la mort.

**Conseil :** Demandez l'assistance d'une autre personne pour tenir l'escabeau en place et pour soulever le ventilateur jusqu'à vous, une fois que vous êtes sur l'escabeau.

Trouvez un point de fixation sécuritaire (une solive de plafond en bois est fortement recommandée) et fixez solidement le câble de sécurité. Il sera nécessaire d'utiliser une vis à bois, une rondelle et une rondelle de blocage à usage intensif (non fournies) avec la boucle du câble de sécurité. Ajustez la boucle à l'extrémité du câble de sécurité, au besoin. La boucle à l'extrémité du câble de sécurité doit tout juste tenir par-dessus le filetage de la vis à bois. *Testez le câble de sécurité en tirant avec une pince sur l'extrémité lâche. Si le câble de sécurité glisse, il faut ajuster la boucle pour la serrer plus.* Vous pouvez laisser le mou supplémentaire de câble dans l'espace du plafond.



## 6. Câblage.

**ATTENTION :** Assurez-vous que la boîte de sortie de courant est bien mise à la terre et qu'un fil mis à la terre (**VERT** ou dénudé) est présent.

Assurez-vous que tous les branchements électriques sont conformes aux codes ou règlements locaux et au Code national de l'électricité. En cas de doute quant à la réalisation du câblage électrique ou si les fils de la maison/du bâtiment sont de couleurs différentes de ceux identifiés dans les instructions ci-dessous, veuillez consulter un électricien qualifié.

**Remarque :** Vous pouvez couper l'excès de longueur des fils de sortie du ventilateur aux longueurs souhaitées, puis les dénuder.

Une fois que votre ventilateur est fixé en place sur le support de suspension, vous pouvez effectuer le câblage électrique comme suit :

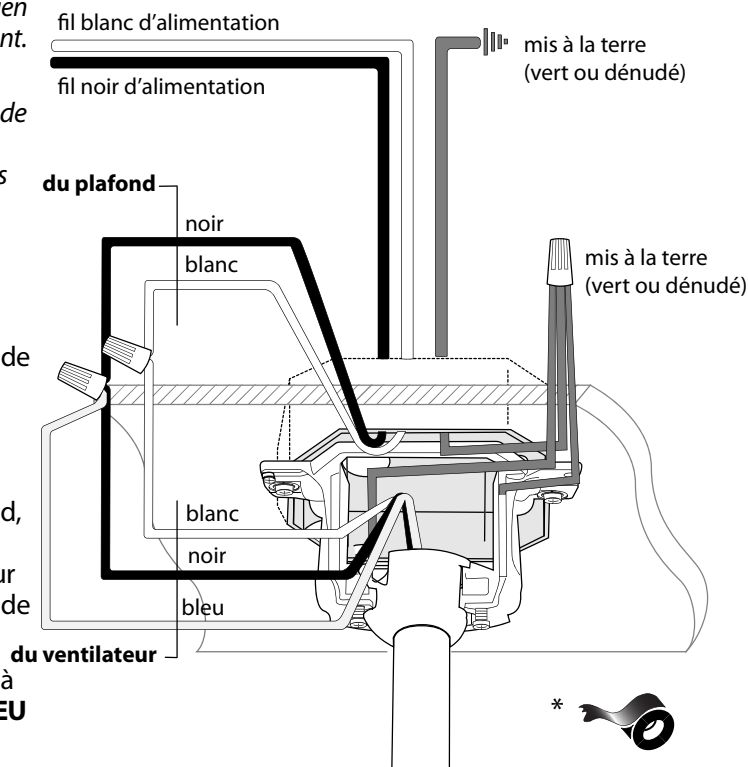
Raccordez les fil **NOIR** et **BLEU** du ventilateur au fil **NOIR** du plafond, avec le capuchon de connexion fourni.

Raccordez le fil **BLANC** du ventilateur au fil **BLANC** du plafond, avec le capuchon de connexion fourni.

Raccordez tous les fils **MIS À LA TERRE (VERTS)** du ventilateur ensemble au fil **DÉNUDÉ/VERT** du plafond, avec le capuchon de connexion fourni.

Si vous avez l'intention de contrôler l'éclairage du ventilateur à partir d'un interrupteur d'éclairage séparé, raccordez le fil **BLEU** du ventilateur au fil d'alimentation **NOIR** (ou **ROUGE**) de l'interrupteur indépendant.

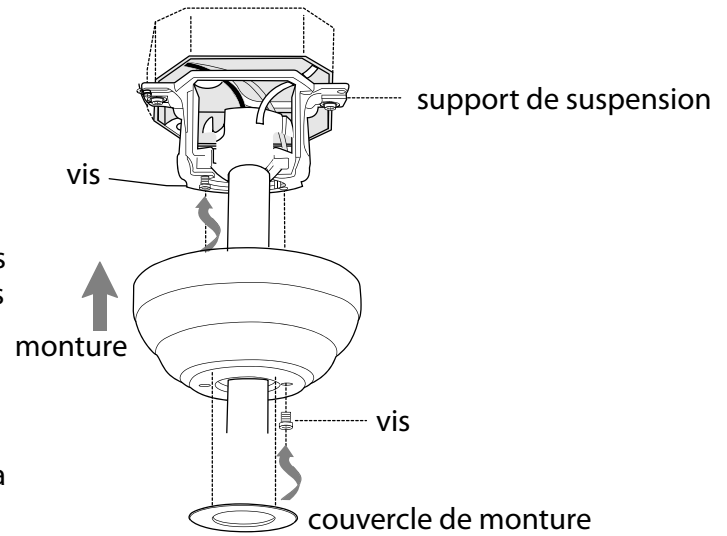
\* Enveloppez chaque capuchon de connexion séparément avec du ruban isolant à titre de mesure de sécurité supplémentaire.



\* Ce ventilateur peut être adapté à une télécommande (télécommande vendue séparément).

## 7. Assemblage de la monture.

Repérez 2 vis sous le support de suspension et retirez la vis la plus proche de l'extrémité ouverte du support de suspension. Desserrer partiellement l'autre vis. Soulevez la monture jusqu'au support de suspension. Placez la partie arrondie du trou en fente de la monture par-dessus la vis desserrée du support de suspension et poussez vers le haut. Tournez la monture pour la verrouiller. Insérez à nouveau la vis retirée auparavant, puis serrez bien les deux vis. Faites glisser le couvercle de monture jusqu'à la monture en alignant la partie arrondie des trous en fente du couvercle de monture avec les têtes de vis en bas de la monture. Tournez le couvercle de monture vers la droite (sens des aiguilles d'une montre) jusqu'à ce qu'il s'arrête.



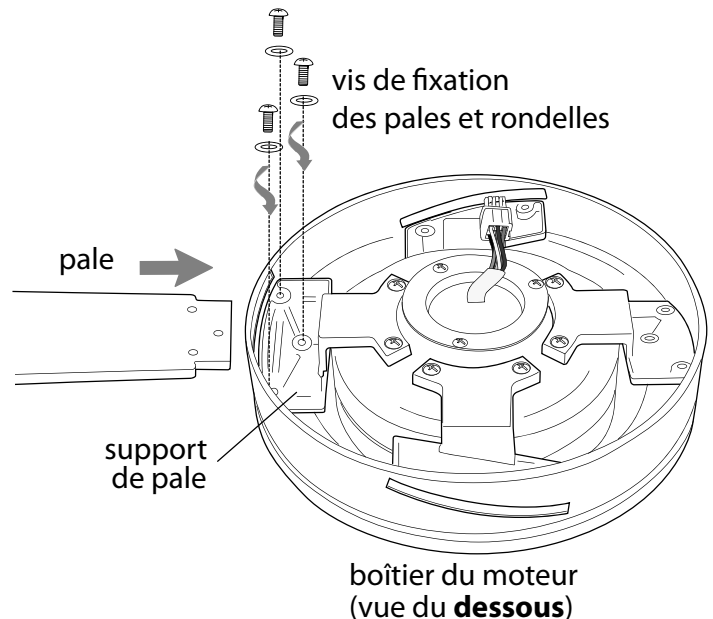
## 8. Assemblage des pales.

**AVERTISSEMENT** : Afin de réduire le risque de blessures corporelles graves, NE PAS utiliser d'outils électriques pour assembler les pales. Si les vis sont trop serrées, les pales peuvent se fissurer et casser.

**Pour gagner du temps** : Vous pouvez poser les rondelles des vis de pale sur chaque vis de pale avant d'installer les pales.

Repérez 12 vis de fixation de pale et rondelles dans le sac de quincaillerie. Faites glisser la pale par l'une des ouvertures étroites et rectangulaires du boîtier du moteur, en alignant les trous de la pale avec les trous du support de pale (**situé au dessous du boîtier du moteur**)--reportez-vous au schéma à droite. Insérez 3 vis de fixation de pale (ainsi que les rondelles) avec les doigts d'abord, puis serrez bien les vis à l'aide d'un tournevis cruciforme. Répétez cette procédure pour chaque pale restante.

**Remarque** : Serrez les vis de support de pale deux fois par an.



## 9. Assemblage du luminaire.

Retirez 1 vis de la plaque du moteur sur le dessous du boîtier du moteur et desserrez partiellement les 2 autres vis. Alignez les trous en fente au centre de l'adaptateur pour luminaire avec les vis desserrées de la plaque du moteur, en permettant à la fiche mâle du boîtier du moteur de passer par le trou du milieu de la plaque d'adaptateur. Tournez la plaque d'adaptateur pour la verrouiller. Insérez à nouveau la vis retirée auparavant et serrez bien les 3 vis à l'aide d'un tournevis cruciforme. (**schéma 1**)

Retirez 1 vis du montant situé sur le dessous de l'adaptateur pour luminaire et desserrez partiellement les 2 autres vis des 2 autres montants. Raccordez la fiche mâle du boîtier du moteur à la fiche femelle de l'adaptateur pour luminaire. Veillez à ce que les fiches soient raccordées de manière bien serrée. Alignez les trous en fente de l'adaptateur pour luminaire avec les vis desserrées de la plaque d'adaptateur. Tournez l'adaptateur pour luminaire pour le verrouiller. Insérez à nouveau la vis retirée auparavant et serrez bien les 3 vis. (**schéma 2**)

Retirez 1 vis de l'adaptateur pour luminaire et desserrez partiellement les 2 autres vis. Raccordez le fil **BLANC** du luminaire à DEL au fil **BLANC** de l'adaptateur pour luminaire. Raccordez le fil **NOIR** du luminaire à DEL au fil **NOIR** (ou **BLEU**) de l'adaptateur pour luminaire. Assurez-vous que les connexions Molex s'emboîtent complètement ensemble. Alignez les trous en fente du bord extérieur du luminaire à DEL avec les vis desserrées de l'adaptateur pour luminaire. Tournez le luminaire à DEL pour le verrouiller. Insérez à nouveau la vis retirée auparavant, puis serrez bien toutes les vis. (**schéma 3**)

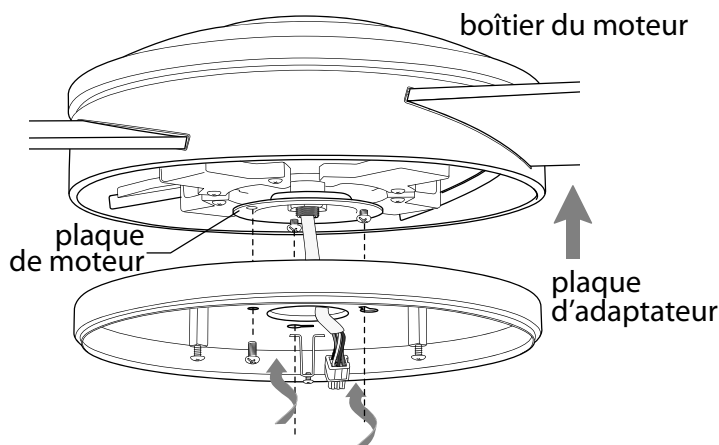
Repérez les fentes sur l'abat-jour en verre et alignez-les avec les nodules de l'adaptateur pour luminaire. Faites glisser l'abat-jour en verre sur l'adaptateur pour luminaire et tournez l'abat-jour en verre avec précaution dans le sens des aiguilles d'une montre jusqu'à ce qu'il glisse en place. (**schéma 3**)

**REMARQUE :** Tirez sur l'abat-jour en verre **EXTRÊMEMENT DOUCEMENT** pour vous assurer qu'il est fixé solidement.

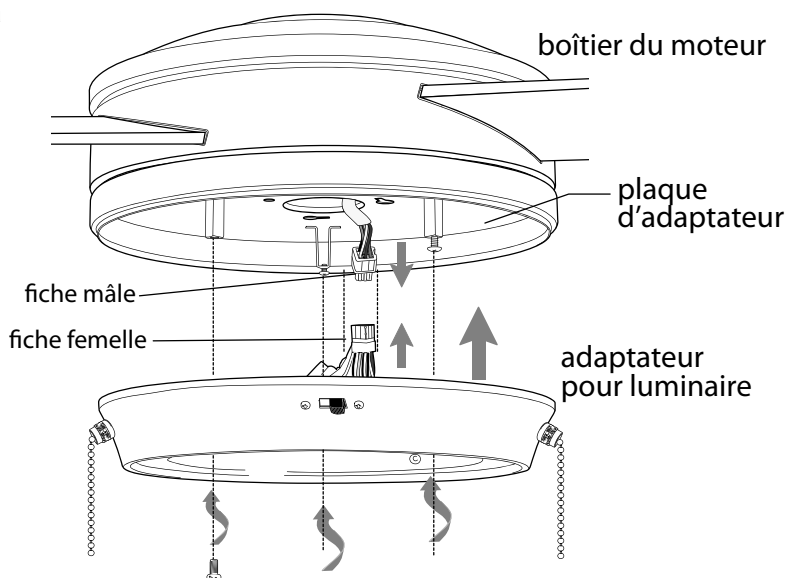
\*REMARQUE : Cet équipement a été testé et jugé en conformité avec les limites portant sur les appareils numériques de classe B, en vertu de l'article 15 des règlements de la FCC. Ces limites sont conçues pour fournir une protection raisonnable contre une interférence préjudiciable dans une installation résidentielle. Cet équipement génère, utilise et peut émettre de l'énergie en radiofréquence et, s'il n'est pas installé ni utilisé conformément aux instructions, il peut causer des interférences préjudiciables aux communications radio. Cependant, il n'est pas garanti que des interférences ne se produiront pas dans une installation particulière. Si cet équipement cause une interférence préjudiciable à la réception des postes de radio ou de télévision, ce qui peut être déterminé en allumant et en éteignant l'appareil, il est conseillé à l'utilisateur d'essayer de corriger l'interférence en appliquant une ou plusieurs des mesures suivantes :

- \* Réorientez ou déplacez l'antenne de réception.
- \* Augmentez la distance entre l'équipement et l'appareil de réception.
- \* Branchez l'équipement dans une prise dont le circuit n'est pas le même que celui sur lequel le récepteur est branché.

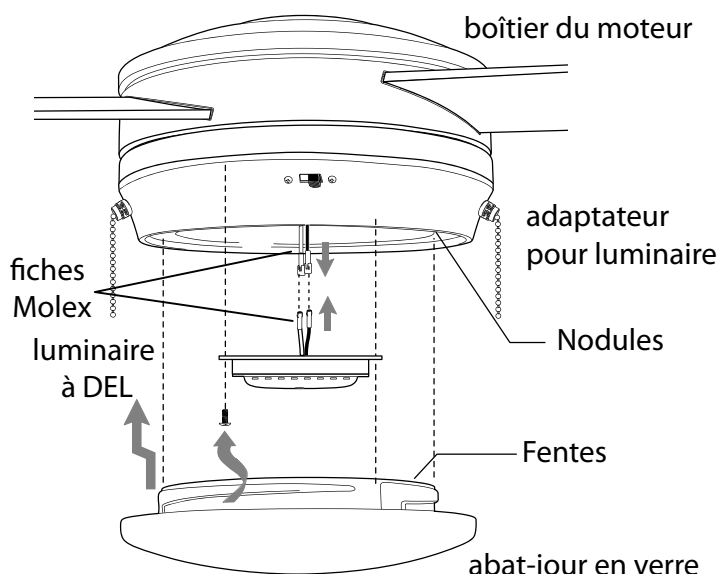
Consultez le fournisseur ou un technicien spécialisé en radio/TV pour une assistance.



**schéma 1**



**schéma 2**



**schéma 3**

## 10. Essai du ventilateur.

Il est recommandé d'essayer le ventilateur avant de terminer l'installation. Rétablissez le courant au niveau du tableau à disjoncteurs et de l'interrupteur d'éclairage (le cas échéant). Vérifiez les vitesses du ventilateur avec la chaîne (tirette) étiquetée FAN (VENTILATEUR). Commencez par la position ARRÊT (OFF) (aucun mouvement de pale). En tirant la première fois, vous réglerez le ventilateur sur ÉLEVÉE (HI). Tirer la seconde fois réglera le ventilateur sur MOYENNE (MEDIUM). Tirer la troisième fois réglera le ventilateur sur FAIBLE (LOW). Tirer la quatrième fois remettra le ventilateur en mode ARRÊT (OFF). Testez l'éclairage avec la chaîne (tirette) étiquetée LIGHT (LUMINAIRE). (**schéma 1**) Si le ventilateur et/ou le luminaire ne fonctionne pas, veuillez vous reporter à la section « Dépannage » pour résoudre tout problème, avant de communiquer avec le service à la clientèle.

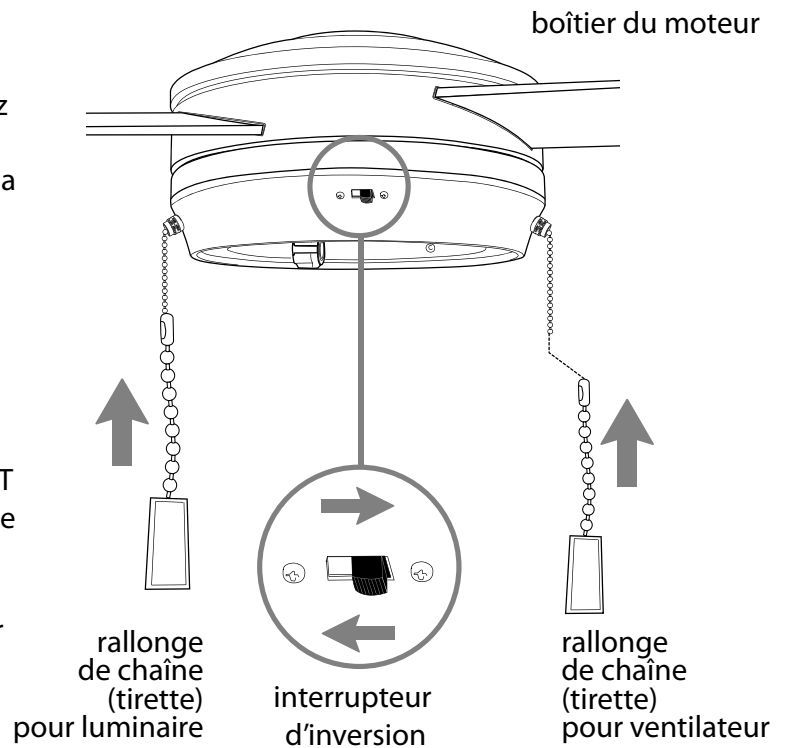
Éteignez complètement le ventilateur *avant* de déplacer l'interrupteur d'inversion. Réglez l'interrupteur d'inversion pour modifier la circulation de l'air selon la saison :

- Position à GAUCHE pendant l'été (**schéma 2**)
- Position à DROITE pendant l'hiver (**schéma 3**)

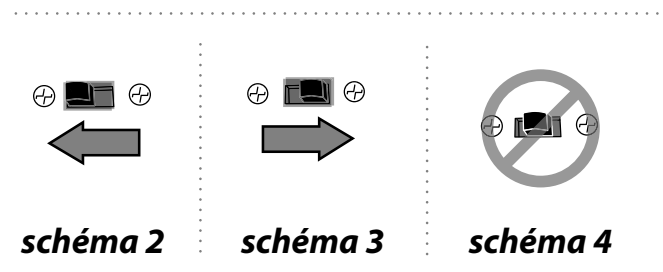
Un ventilateur de plafond vous permettra d'augmenter le réglage de votre thermostat pendant l'été et de le baisser en hiver, sans ressentir une différence au niveau du confort.

**Important :** L'interrupteur d'inversion doit être réglé soit *complètement* à GAUCHE soit *complètement* à DROITE pour permettre au ventilateur de fonctionner. Si l'interrupteur d'inversion est réglé en position du milieu (**schéma 4**), le ventilateur ne fonctionnera pas.

Fixez les rallonges de chaîne (tirette) fournies ou les rallonges de chaîne (tirette) sur mesure (vendues séparément) aux extrémités des chaînes (tirettes).



**schéma 1**



## Dépannage.

**AVERTISSEMENT:** le fait de ne pas déconnecter l'alimentation avant de résoudre les problèmes de câblage peut entraîner des blessures graves.

Problème: le ventilateur ne fonctionne pas.

Solutions:

1. Vérifiez l'interrupteur mural du ventilateur.
2. Vérifiez que l'interrupteur de marche arrière est complètement réglé dans les deux sens.
3. Vérifiez que le ventilateur est correctement câblé.
4. Vérifiez que les fiches mâles et femelles sont correctement connectées dans l'installateur du kit d'éclairage.

Problème: le kit d'éclairage LED ne s'allume pas.

Solutions:

1. Vérifiez l'interrupteur mural du ventilateur.
2. Vérifiez que les fils de la verrière sont correctement câblés.
3. Vérifiez que les connexions mox du kit d'éclairage LED sont correctement connectées.

Problème: le ventilateur fonctionne mais la lumière tombe en panne.

Solutions:

1. Vérifiez que les fils de la verrière sont correctement câblés.
2. Vérifiez que les connexions mox du kit d'éclairage LED sont correctement connectées.

Problème: le ventilateur oscille.

Solutions:

1. Utilisez le kit d'équilibrage fourni dans l'un des packs de matériel.
2. Vérifiez que la ou les vis de réglage sur la chape du boîtier du moteur sont bien serrées.
3. Assurez-vous que la vis de réglage de la boule suspendue est bien serrée.

## Garantie.

**GARANTIE LIMITÉE À VIE:** Nous garantissons ce ventilateur à l'acheteur d'origine pour une utilisation en intérieur selon les dispositions suivantes: **GARANTIE D'UN AN:** Nous remplacerons ou réparerons tout ventilateur dont les performances sont défectueuses en raison d'un défaut de matériau ou de fabrication. Nous vous réparerons ou vous enverrons un ventilateur de remplacement, et nous paierons les frais de retour.

**GARANTIE DE 5 ANS:** Nous réparerons ou remplacerons, sans frais pour l'acheteur d'origine, tout moteur de ventilateur qui ne fonctionnera pas de manière satisfaisante lorsque la panne résulte d'une utilisation normale.

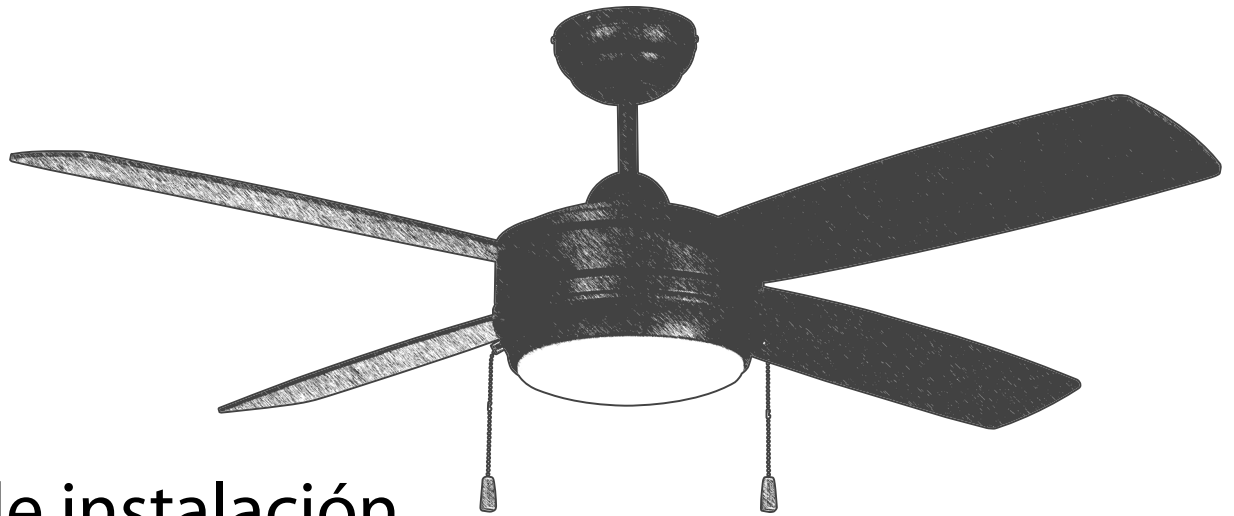
**RETOURNER LE MOTEUR DU VENTILATEUR UNIQUEMENT,** expédition prépayée, aux Industries. Nous réparerons ou expédierons à l'acheteur un moteur de remplacement et nous paierons les frais de retour.

**GARANTIE LIMITÉE À VIE DE 6 ANS:** Nous réparerons le ventilateur, sans frais de main-d'œuvre uniquement pour l'acheteur d'origine, si le moteur du ventilateur ne fonctionne pas de manière satisfaisante lorsque la panne résulte d'une utilisation normale. Les pièces utilisées pour la réparation seront facturées à l'acheteur aux prix en vigueur au moment de la réparation. L'acheteur est responsable de tous les frais occasionnés par l'enlèvement, la réinstallation et l'expédition du produit pour réparation.

Cette garantie ne s'applique pas lorsque des dommages dus à un abus mécanique, physique, électrique ou à l'eau entraînent un dysfonctionnement. La détérioration des finitions ou d'autres pièces en raison du temps ou de l'exposition à l'air salin est spécifiquement exonérée en vertu de cette garantie.

Ni nous ni le fabricant n'assumerons aucune responsabilité résultant d'une mauvaise installation ou utilisation de ce produit. En aucun cas, la société ne sera responsable des dommages consécutifs à une violation de celui-ci, ou de toute autre garantie expresse ou implicite que ce soit. Cette limitation quant aux dommages indirects ne s'applique pas dans les États où elle est interdite.

LEER ESTAS INSTRUCCIONES Y  
GUARDARLAS PARA UTILIZACION FUTURA



## Guía de instalación

### Índice de materias:

- Sugerencias de seguridad. Pág. 1
- Desempaquetado del ventilador. Pág. 2
- Inventario de piezas. Pág. 2
- Preparación para la instalación. Pág. 3
- Instalación del soporte de montaje. Pág. 3
- Ensamblaje del ventilador. Págs. 4 - 5
- Instalación eléctrica. Pág. 5
- Colocación de la cubierta decorativa. Pág. 6
- Colocación de las aspas. Pág. 6
- Instalación del juego de luz. Pág. 7
- Verificación del funcionamiento del ventilador. Pág. 8
- Localización de fallas. Pág. 9
- Piezas de repuesto. Pág. 9
- Garantía. Pág. 9

# SUGERENCIAS DE SEGURIDAD.

**ADVERTENCIA:** para evitar la posibilidad de una descarga eléctrica, desconectar la corriente en la caja de fusibles principal o el interruptor protector antes de iniciar la instalación del ventilador o antes de repararlo o instalar accesorios.

1. **LEER TODAS LAS INSTRUCCIONES E INFORMACIÓN DE SEGURIDAD CUIDADOSAMENTE ANTES DE INSTALAR SU VENTILADOR Y GUARDAR ESTAS INSTRUCCIONES.**

**PRECAUCIÓN:** para reducir el riesgo de daño corporal, es posible que sea necesario usar guantes al manejar las piezas del ventilador que tengan bordes afilados.

2. Asegurarse de que todas las conexiones eléctricas cumplan con los Códigos o las Ordenanzas Locales, el Código Nacional Eléctrico, y ANSI/NFPA 70-1999. Si usted no está familiarizado con el alambrado eléctrico o los cables de la casa/el edificio son de colores diferentes a los cuales se refieren en las instrucciones, favor de buscar un electricista calificado.
3. Asegurarse de que haya localizado una ubicación para su ventilador que permite el espacio necesario para la rotación de las aspas y por lo menos 2,13 metros (7 pies) de espacio libre entre el piso y las puntas de las aspas. Debe instalar el ventilador para que las puntas de las aspas queden a una distancia de por lo menos 76 centímetros (30 pulgadas) de las paredes y otras estructuras verticales.
4. La caja de salida eléctrica debe estar bien sujeta a la viga de soporte del techo y deben ser capaces de sostener por lo menos 16 kilogramos (35 libras). La caja de salida debe tener apoyo directo de la estructura del edificio. Sólo usar cajas de salida registradas con CUL (Canadá) o UL (EEUU) que indican que "sirven para ventilador" ("FOR FAN SUPPORT" en inglés).

**ADVERTENCIA:** para reducir el riesgo de incendio, descarga eléctrica o daño corporal, instalar en la caja de salida marcada "Aceptable para sostener ventilador de 15,9 kg (35 lb) o menos" ["Acceptable for Fan Support of 15.9 kg (35 lb) or less"] y utilizar los tornillos proporcionados con la caja de salida. La mayoría de las cajas de salida que normalmente se usan para sostener los aparatos de alumbrado no siempre son apropiadas para sostener ventiladores y es posible que las tenga que reemplazar. En caso de duda, consultar con un electricista calificado.

**ADVERTENCIA:** para reducir el riesgo de incendio, descarga eléctrica o daño corporal, los conectores para cable provistos con este ventilador son diseñados para aceptar sólo un cable de calibre 12 de la casa y dos cables principales del ventilador. Si el calibre del cable de la casa es superior al 12 o hay más de un cable de la casa para conectar a los cables principales del ventilador al cual corresponde cada uno, consultar con un electricista para informarse sobre el tamaño correcto de conectores para cable que se debe usar.

5. Los diagramas eléctricos son únicamente para referencia.
6. Después de haber terminado la instalación, asegurarse de que todas las conexiones estén totalmente seguras.
7. Después de haber terminado todas las conexiones eléctricas, los conductores empalmados deben ser volteados para arriba y colocados cuidadosamente dentro de la caja de salida. Los alambres se deben de separar con el conductor a tierra a un lado y el conductor a tierra del equipo al lado opuesto.

**ADVERTENCIA:** para reducir el riesgo de incendio o una descarga eléctrica, no usar el ventilador con ningún control de velocidad de estado sólido ni controlar la velocidad del ventilador con un interruptor con reductor de luz de gama completa. [El usar un interruptor con reductor de luz de gama completa para controlar la velocidad del ventilador causará un zumbido recio del ventilador.] (**Nota:** este ventilador *sí* sirve para usar con control remoto).

8. No utilizar el interruptor de reversa hasta que el ventilador se haya parado completamente.
9. No insertar ningún objeto entre las aspas mientras estén rotando.

**ADVERTENCIA:** para reducir el riesgo de daño corporal, no doblar los brazos de las aspas durante el ensamblaje ni durante la instalación. No insertar objetos entre las aspas mientras estén rotando.

**ADVERTENCIA:** para reducir el riesgo de daño corporal o algún daño al ventilador, tener cuidado al estar trabajando alrededor del ventilador o limpiándolo.

10. No utilizar agua ni detergentes para limpiar el ventilador ni las aspas. Usar un trapo seco o ligeramente húmedo para su limpieza general.

**ADVERTENCIA:** para reducir el riesgo de daño corporal, usar **sólo** las piezas provistas con este ventilador. **Al usar piezas DISTINTAS a las provistas con este ventilador se invalidará la garantía.**

**ADVERTENCIA:** este ventilador DEBE instalarse con el cable de seguridad provisto. Si no se utiliza el cable de seguridad provisto, se pueden producir lesiones personales, daños al ventilador o a otras propiedades.

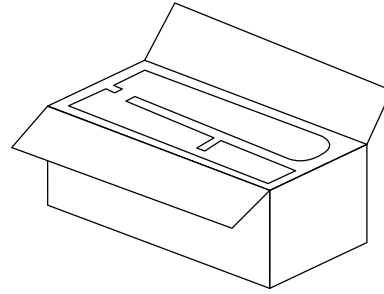
**PRECAUCION:** NO manipule ni intente reparar el componente LED del juego de luz. La fuente de luz está diseñada para esta aplicación específica y el mantenimiento no debe estar a cargo de personal sin capacitación. Si necesita algún tipo de mantenimiento, llame a nuestro Departamento de Servicio al Cliente.

11. El juego de luz LED se puede regular al 10% con algunos reguladores.

**NOTA:** no se debe concluir que las precauciones de seguridad importantes e instrucciones en este manual van a abarcar todas las condiciones y situaciones posibles que puedan ocurrir. Se debe entender que el sentido común y la precaución son factores necesarios en la instalación y la operación de este ventilador.

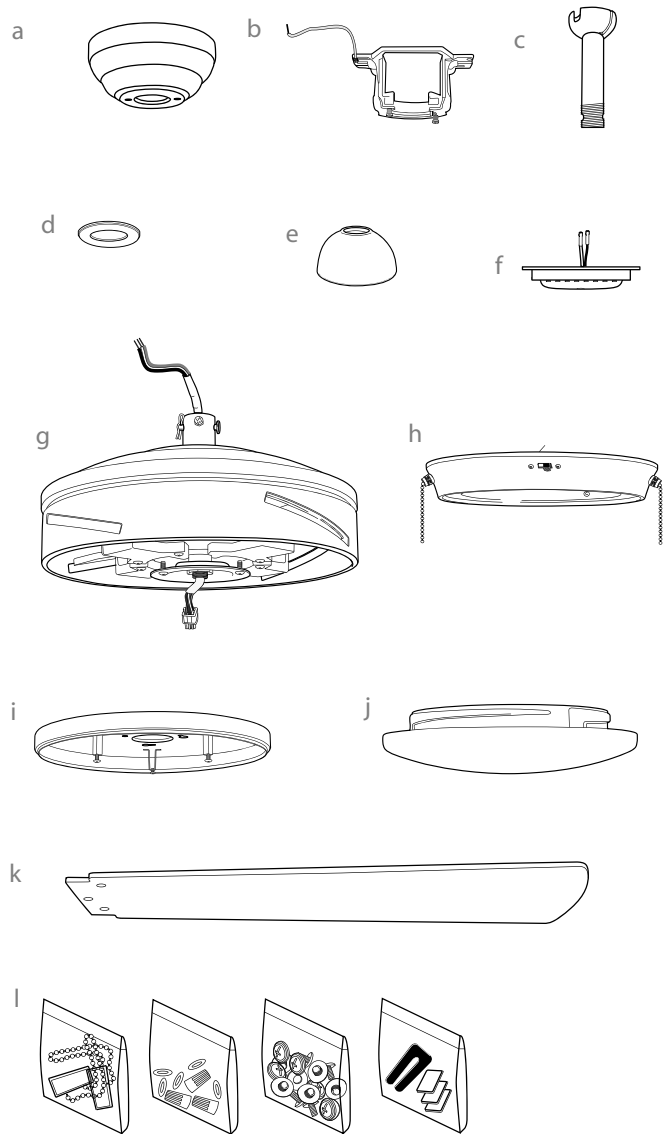
# 1. Desempaquetado del ventilador.

Abrir el empaque cuidadosamente. Sacar los artículos del embalaje. Sacar el motor y ponerlo en una alfombra o en el embalaje para evitar rayar el acabado. Guardar la caja de cartón o el empaquetamiento original en caso de que tenga que mandar el ventilador para alguna reparación. Comprobar las piezas del ventilador con el inventario de piezas y verificar que se incluyeron todas.



## 2. Inventario de piezas.

- a.** cubierta decorativa. 1 unidad
- b.** soporte de montaje. 1 unidad
- c.** tubo y bola que sirve para colgar. 1 unidad
- d.** tapa de la cubierta decorativa (en paquete de artículos de ferretería). 1 unidad
- e.** cubierta del cuello. 1 unidad
- f.** juego de luz LED. 1 unidad
- g.** bastidor del motor. 1 unidad
- h.** conector para el juego de luz. 1 unidad
- i.** placa de conexión. 1 unidad
- j.** pantalla de vidrio. 1 unidad
- k.** aspa. 4 unidades
- l.** paquetes de artículos de ferretería



**⚠ RECORDATORIO IMPORTANTE:**  
Se tienen que utilizar las piezas provistas con este ventilador para una instalación adecuada y su seguridad. **⚠**

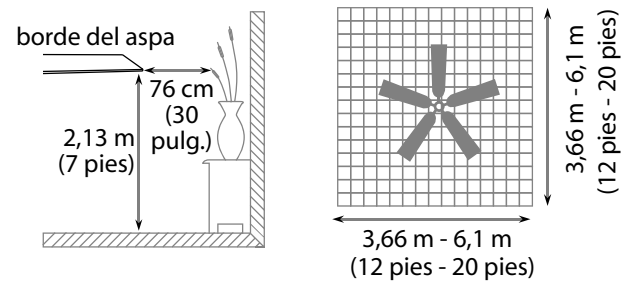
### 3. Preparación para la instalación.

Para prevenir daño corporal y otros daños, estar seguro de que el lugar en donde va a colgar el ventilador le permite un espacio libre de 2,13 m (7 pies) entre las puntas de las aspas y el piso y 76 cm (30 pulg.) entre las aspas y cualquier pared u otra obstrucción. Este ventilador es adecuado para habitaciones hasta 37,2 metros cuadrados (400 pies cuadrados).

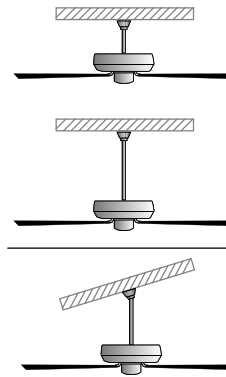
Se puede colgar este ventilador **con tubo** en un techo regular (sin inclinación) o abovedado. La longitud colgante se puede extender comprando un tubo más largo (con diámetro de 1,27 cm/0,5 pulg.). No hay ningún otro tipo de instalación, como **al ras con el techo**, disponible para este ventilador.

#### Se necesitan las herramientas siguientes para la instalación:

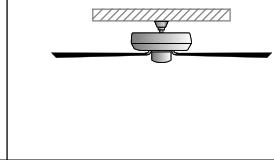
Destornillador de estrella Phillips, destornillador de paleta (plano), alicates ajustables o llave de tuercas, escalera de tijera, cortaalambres y cinta aisladora.



#### instalación con tubo



#### instalación al ras con el techo



El ángulo de inclinación de un techo abovedado no debe exceder los 25 grados.

### 4. Instalación del soporte de montaje.

Apagar los cortacircuitos en el panel de electricidad que suplen corriente a la caja de salida y asegurarse de que el interruptor de luz esté APAGADO.

**ADVERTENCIA:** *el no desconectar el suministro de fuerza antes de la instalación puede tener por resultado lesiones graves.*

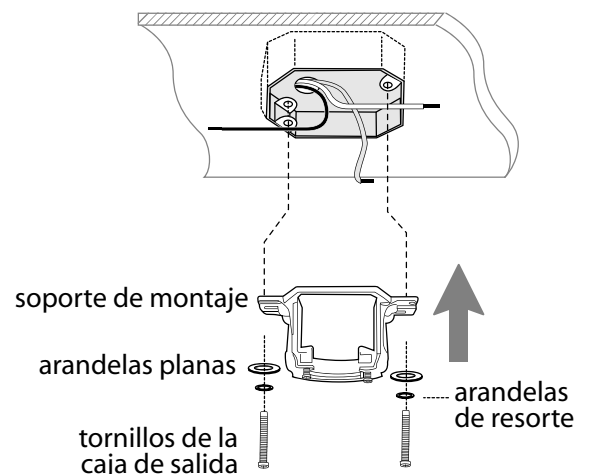
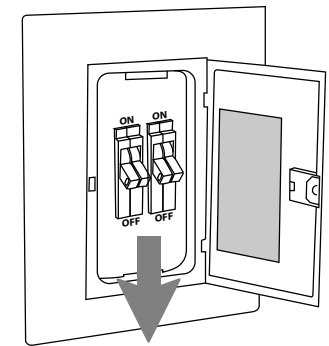
Quitar el aparato existente.

**ADVERTENCIA:** *si utiliza una caja de salida existente, asegurarse de que la caja de salida esté firmemente conectada a la estructura del edificio y que sea capaz de sostener el peso total del ventilador. Asegurarse de que la caja de salida indique claramente que "Sirve para ventilador" (FOR FAN SUPPORT); si no, se debe reemplazar con una caja de salida aprobada. El no hacer el cambio si es necesario puede resultar en lesiones graves.*

**PRECAUCIÓN:** *asegurarse de que la caja de salida esté conectada a tierra correctamente y que haya un conductor a tierra (VERDE o pelado).*

Instalar el soporte de montaje utilizando los tornillos originales, las arandelas de resorte y las arandelas planas de su nueva o existente caja de salida.\* Si hace la instalación en un techo abovedado, colocar el soporte de montaje con la abertura dirigida hacia la parte alta del techo. Arreglar el alambrado eléctrico (los cables) en la parte de atrás del soporte y lejos de la abertura del soporte.

**\*Nota:** *es muy importante usar los artículos de ferretería correctos al instalar el soporte de montaje puesto que sirve para sostener el ventilador.*



## 5. Ensamblaje del ventilador.

Quitar la bola que sirve para colgar del tubo provisto aflojando el tornillo de fijación de la bola que sirve para colgar. Bajar la bola que sirve para colgar y sacar el perno de tope y luego quitar la bola que sirve para colgar deslizándola. [Referirse al **diagrama 1**].

Aflojar los tornillos de fijación del cuello y las tuercas en la parte superior del bastidor del motor. Quitar el perno y la clavija del cuello del bastidor del motor. [Referirse al **diagrama 2**].

**Sugerencia:** Para preparar los cables para pasarlos por el tubo, poner un pedacito de cinta aisladora en la punta de los cables—esto mantendrá los cables juntos al pasarlos por el tubo. [Referirse al **diagrama 2**].

Determinar el largo del tubo que desea usar. Pasar los cables del ventilador y el cable de seguridad a través del extremo del tubo que tenga rosca y con cuidado jalar el cableado en exceso por la parte de arriba del tubo. [Referirse al **diagrama 2**].

Enroskar el tubo en el cuello del bastidor del motor hasta alinearse los agujeros para el perno y la clavija en el tubo con los del cuello—asegurarse de que no se tuerzan los cables. Volver a introducir el perno y la clavija que se quitaron anteriormente. Apretar los tornillos de fijación del cuello y la tuerca completamente. [Referirse al **diagrama 2**].

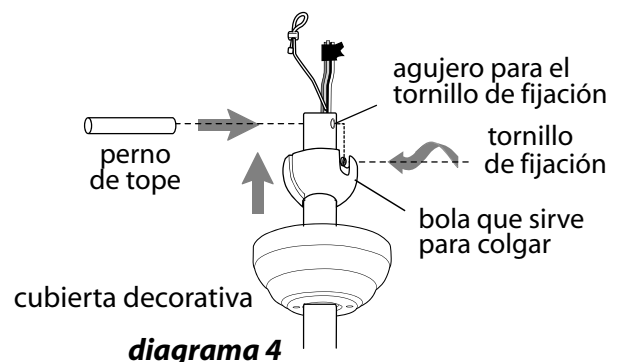
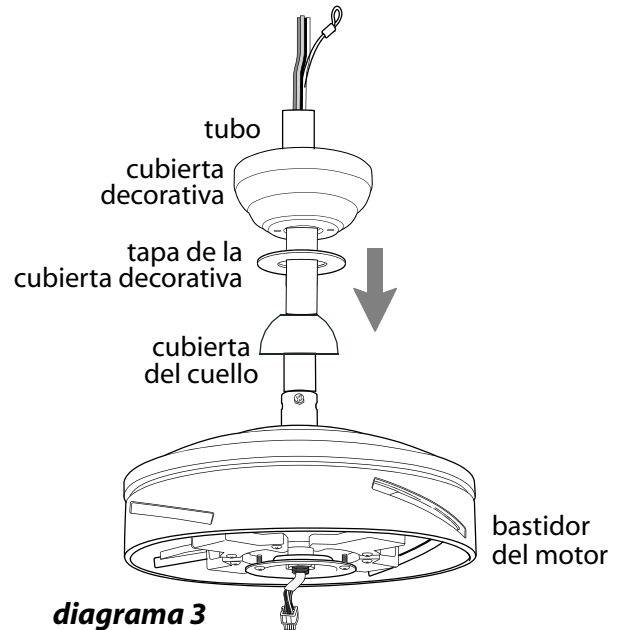
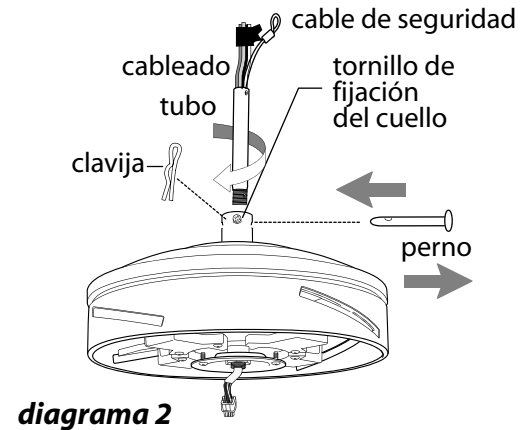
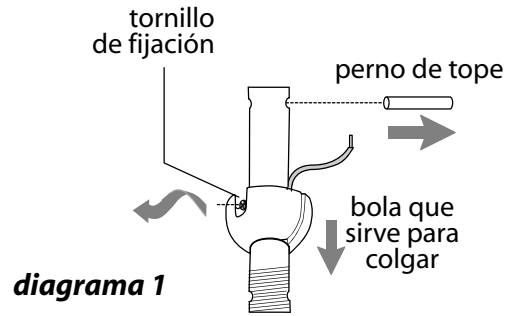
Localizar la tapa de la cubierta decorativa en los paquetes de artículos de ferretería. Deslizar la cubierta del cuello, la tapa de la cubierta decorativa y la cubierta decorativa por el tubo. [Referirse al **diagrama 3**]. (**Nota:** se debe voltear la tapa de la cubierta decorativa para que el lado brillante de al bastidor del motor).

Pasar el cable de seguridad y los cables por la bola que sirve para colgar y luego deslizar la bola que sirve para colgar sobre el tubo—la parte de arriba del tubo debe tener el agujero para el tornillo de fijación en ese extremo; usar ese agujero al colocar el tornillo de fijación. Introducir el perno de tope en la parte de arriba del tubo y subir la bola que sirve para colgar. Asegurarse de que el perno de tope se ponga en línea con las ranuras dentro de la bola que sirve para colgar. Apretar bien el tornillo de fijación. [Referirse al **diagrama 4**].

**ADVERTENCIA:** si no se aprieta bien el tornillo de fijación (en la bola que sirve para colgar) es posible que se afloje el ventilador y que se caiga.

[El "Ensamblaje del ventilador" continúa en la página siguiente].

**NOTA:** no se debe concluir que las precauciones de seguridad importantes e instrucciones en este manual van a abarcar todas las condiciones y situaciones posibles que puedan ocurrir. Se debe entender que el sentido común y la precaución son factores necesarios en la instalación y la operación de este ventilador.



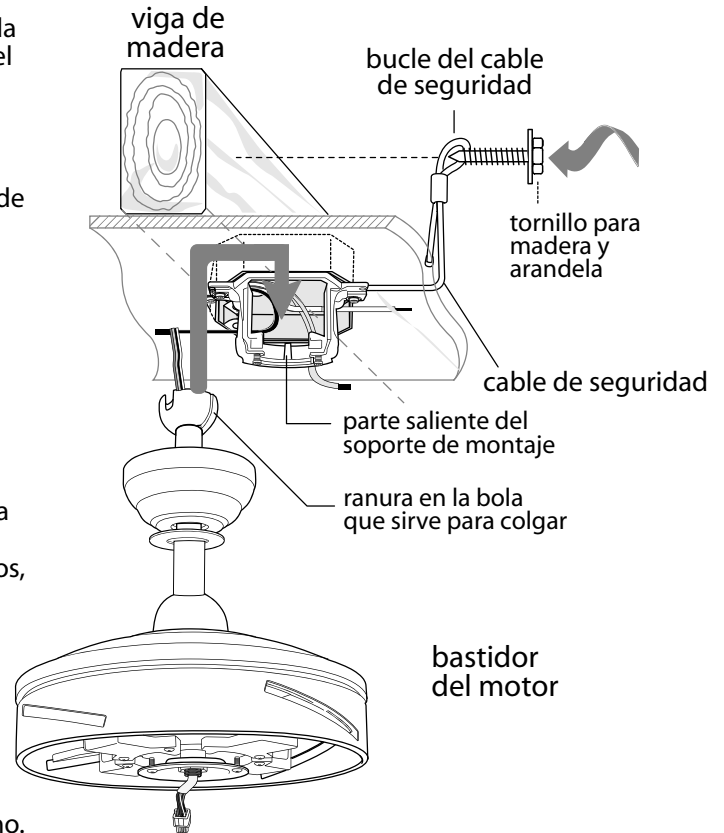
## 5. Ensamblaje del ventilador. (cont.)

Ya que esté sujetado el soporte de montaje a la caja de salida y capaz de apoyar el ventilador, usted está listo para colgar el ventilador. Agarrar el ventilador firmemente con las dos manos. Deslizar el tubo por la abertura del soporte de montaje y dejar que se detenga la bola en el soporte de montaje. Girar la bola que sirve para colgar hasta que la ranura de la bola se alinee con la parte saliente del soporte de montaje.

**ADVERTENCIA:** el no alinear la ranura en la bola que sirve para colgar con la parte saliente del soporte de montaje puede causar lesiones graves o la muerte.

**Sugerencia:** solicitar ayuda de otra persona para mantener sujeta la escalera y para que le suba el ventilador cuando usted ya esté preparado en la escalera para colgarlo.

Encontrar un punto de acoplamiento seguro (se recomienda la viga de madera en el techo) y asegurar el cable de seguridad. Utilizar tornillo para madera para trabajos pesados, arandela y arandela de seguridad (no provistos) en el bucle del cable de seguridad. Si es necesario, ajuste el bucle en el extremo del cable de seguridad. El bucle en el extremo del cable de seguridad debe ser de tal tamaño que pase justo sobre la punta de la parte roscada del tornillo para madera. Poner el cable a prueba, jalando con un alicate la parte suelta en la punta del cable. Si el cable se desliza o se reduce el bucle del cable por donde pasa el tornillo, hay que ajustar el bucle de nuevo. Se puede poner el cable en exceso en el área del techo.



## 6. Instalación eléctrica.

**PRECAUCIÓN:** asegurarse de que la caja de salida esté conectada a tierra como es debido y que exista un conductor a tierra (**VERDE** o **pelado**).

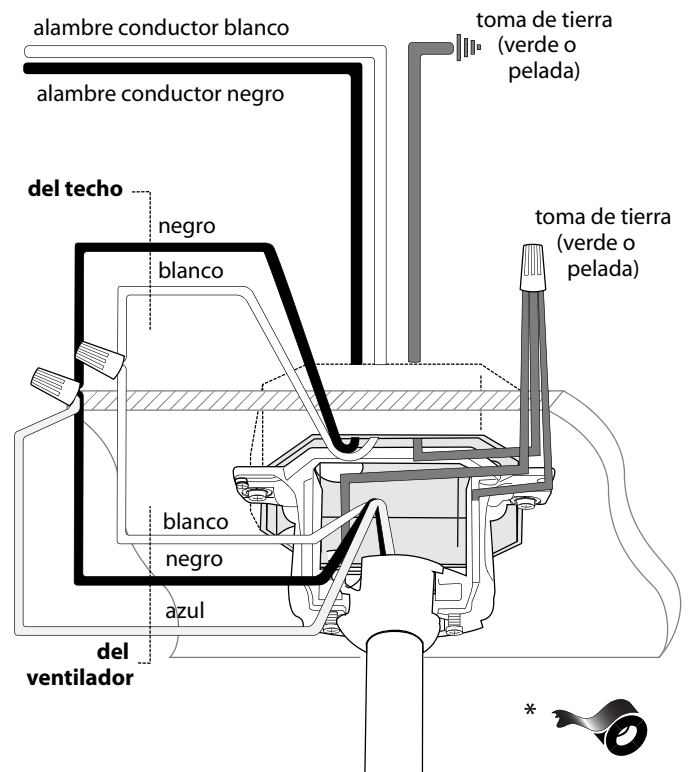
Asegurarse de que toda conexión eléctrica cumpla con los Códigos o las Ordenanzas Locales y el Código Nacional Eléctrico. Si usted no está familiarizado con la instalación eléctrica o los cables de la casa/el edificio son de colores diferentes a los cuales se refieren a continuación, favor de buscar un electricista calificado.

**Nota:** si la longitud del alambrado que sale del ventilador es demasiado, se puede cortarlo al largo deseado y luego pelarlo.

Una vez que el ventilador esté bien sujeto en el soporte de montaje, se puede hacer la instalación eléctrica como sigue:

Conectar los cables **NEGRO** y **AZUL** del ventilador al cable **NEGRO** del techo con un conector para cable provisto.  
Conectar el cable **BLANCO** del ventilador al cable **BLANCO** del techo con un conector para cable provisto.  
Conectar todos los conductores a **TIERRA (VERDES)** del ventilador a los **PELADOS/VERDES** del techo con un conector para cable provisto.

Si usted piensa controlar la luz del ventilador con un interruptor distinto, conectar el cable **AZUL** del ventilador al conductor **NEGRO** (o **ROJO**) que corresponde al interruptor independiente.

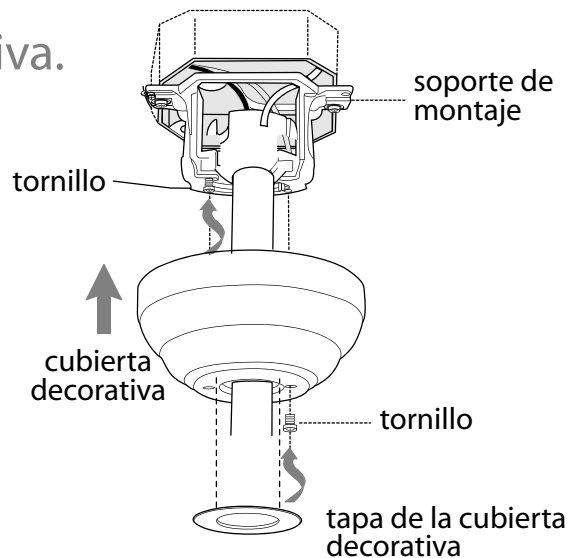


\* Como una medida de seguridad adicional, envolver cada conector para cable por separado con cinta aisladora.

Este ventilador es adaptable para usar con control remoto (a la venta por separado).

## 7. Colocación de la cubierta decorativa.

Localizar los 2 tornillos en la parte inferior del soporte de montaje y quitar el tornillo que está localizado más cerca del extremo abierto del soporte de montaje. Aflojar parcialmente el otro tornillo. Elevar la cubierta decorativa hasta el soporte de montaje. Poner la parte redondeada del agujero con ranura en la cubierta decorativa encima del tornillo aflojado en el soporte de montaje y empujar hacia arriba. Girar la cubierta decorativa para cerrarla. Volver a introducir el tornillo que se quitó y luego apretar bien ambos tornillos. Subir la tapa para la cubierta decorativa hasta la cubierta decorativa, alineando la parte redondeada de los agujeros con ranura en la tapa para la cubierta decorativa con las cabezas de tornillo en el fondo de la cubierta decorativa. Girar la tapa de la cubierta decorativa a la derecha (en el sentido de las agujas del reloj) hasta que ya no gire.



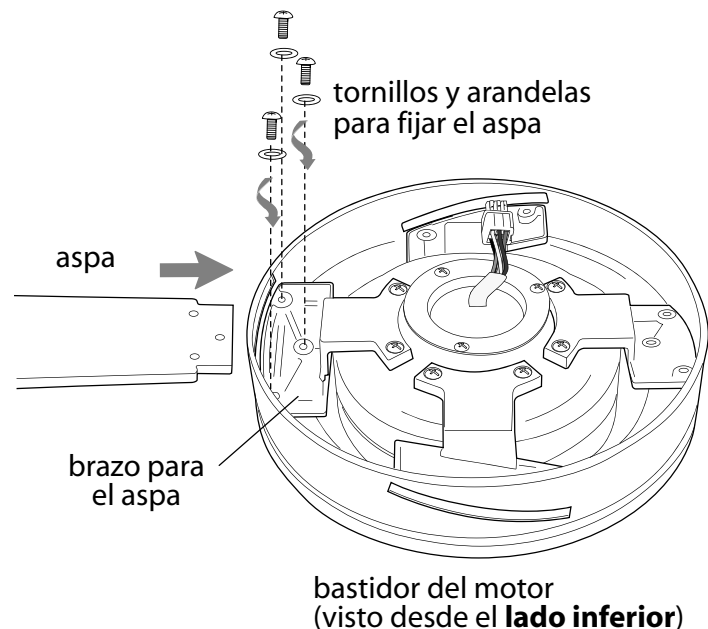
## 8. Colocación de las aspas.

**ADVERTENCIA:** para reducir el riesgo de lesiones corporales graves, NO utilizar herramientas eléctricas para ensamblar las aspas. Si aprieta demasiado los tornillos, las aspas podrían agrietarse y quebrarse.

**Para ahorrar tiempo:** se pueden poner las arandelas en los tornillos que son para las aspas antes de colocar las aspas.

Localizar los 12 tornillos para fijar las aspas y las arandelas en uno de los paquetes de artículos de ferretería. Deslizar un aspa por una de las aberturas estrechas y rectangulares en el bastidor del motor, alineando los agujeros en el aspa con los agujeros en el brazo para el aspa (**localizado en el lado inferior del bastidor del motor**)--referirse al dibujo al lado. Introducir 3 tornillos para fijar el aspa (junto con las arandelas) con los dedos primero y luego apretarlos bien con un destornillador de estrella Phillips. Repetir el procedimiento con las demás aspas.

**Nota:** apretar los tornillos para los brazos para las aspas dos veces al año.



## 9. Instalación del juego de luz.

Quitar 1 tornillo de la placa del motor en el lado inferior del motor y parcialmente aflojar los otros 2 tornillos. Alinear los agujeros con ranura en el centro de la placa de conexión con los tornillos aflojados en la placa del motor, dejando que el enchufe macho del bastidor del motor pase por el agujero de en medio en la placa de conexión. Girar la placa de conexión para cerrarla. Volver a introducir el tornillo que se quitó anteriormente y apretar bien los 3 tornillos con destornillador de estrella Phillips. (**diagrama 1**).

Quitar 1 tornillo del poste localizado en la parte inferior de la placa de conexión y parcialmente aflojar los otros 2 tornillos en los otros 2 postes. Conectar el enchufe macho del bastidor del motor al enchufe hembra del conector para el juego de luz. Asegurarse de que se conecten bien los enchufes. Alinear los agujeros con ranura en el conector para el juego de luz con los tornillos aflojados en la placa de conexión. Girar el conector para el juego de luz para cerrarlo. Volver a introducir el tornillo que se quitó anteriormente y apretar bien los 3 tornillos. (**diagrama 2**).

Quitar 1 tornillo del conector para el juego de luz y parcialmente aflojar los otros 2 tornillos. Conectar el cable **BLANCO** del juego de luz LED al cable **BLANCO** del conector para el juego de luz. Conectar el cable **NEGRO** del juego de luz LED al cable **AZUL** (o **NEGRO**) del conector para el juego de luz. Asegurarse de que las conexiones tipo "molex" se cierren bien con un clic. Alinear los agujeros con ranura en el borde exterior del juego de luz LED con los tornillos aflojados en el conector para el juego de luz. Girar el juego de luz LED para cerrarlo. Volver a introducir el tornillo que se quitó y asegurar todos los tornillos. (**diagrama 3**).

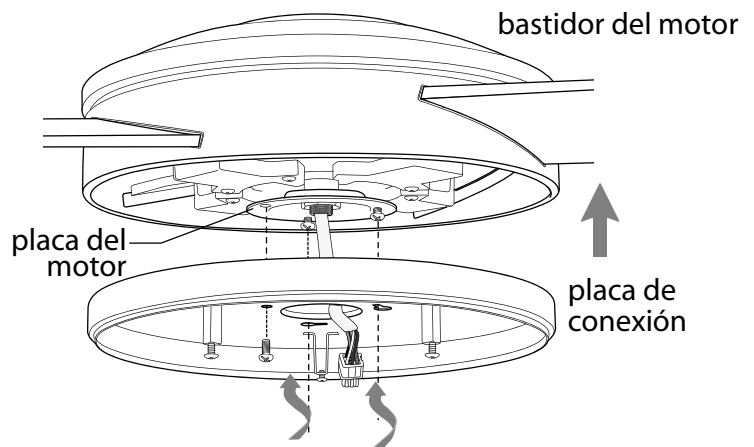
Localizar las ranuras en la pantalla de vidrio y alinearlas con los nódulos en el conector para el juego de luz (localizado en la parte inferior del bastidor del motor). Introducir la pantalla de vidrio en el conector para el juego de luz y girarla cuidadosamente en el sentido de las agujas del reloj hasta que esté encajada. (**diagrama 3**).

**NOTA:** *SUAVEMENTE* jalar hacia abajo la pantalla de vidrio para asegurarse de que esté sujeta.

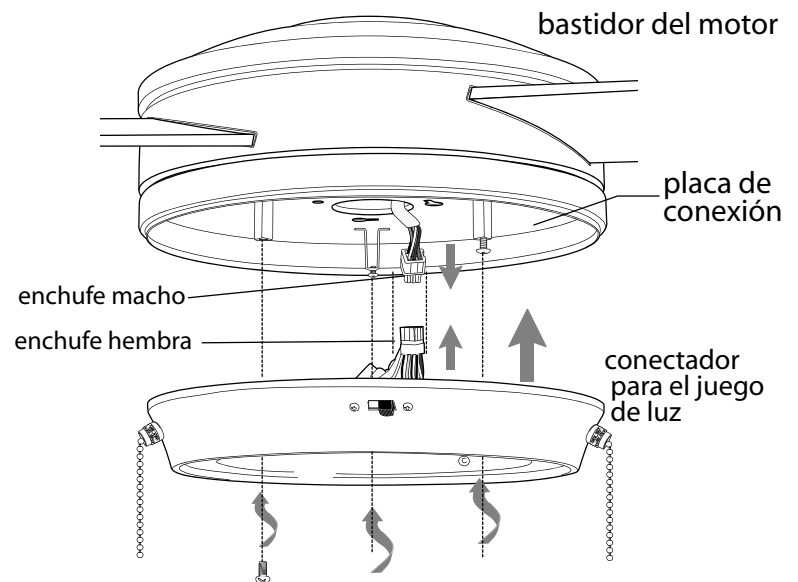
\*NOTA: Se han hecho pruebas en este equipo y se ha comprobado que cumple con los límites para un aparato digital de clase B, de acuerdo con la Parte 15 de las Reglas de la FCC. Se concibieron estos límites para proveer protección razonable contra la interferencia adversa en una instalación residencial. Este equipo produce, usa y puede radiar energía de radiofrecuencia y, si no se instala y no se usa según las instrucciones, puede causar interferencia adversa en la radiocomunicación. Sin embargo, no hay ninguna garantía de que no habrá interferencia en una instalación en particular. Si este equipo sí causa interferencia adversa en la recepción de radio o televisión, que se puede determinar apagando y prendiendo el equipo, se le urge al usuario a intentar rectificar la interferencia tomando una o más de las medidas que siguen:

- \* Orientar la antena de nuevo o localizarla en otro sitio.
- \* Aumentar la separación entre el equipo y el receptor.
- \* Conectar el equipo a un tomacorriente en un circuito distinto al cual está conectado el receptor.

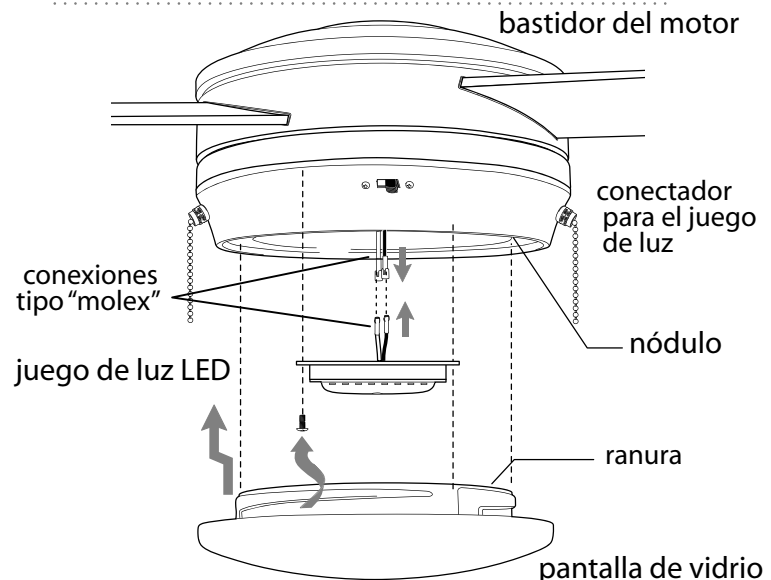
Solicitar ayuda del distribuidor o un técnico de radio/televisión.



**diagrama 1**



**diagrama 2**



**diagrama 3**

## 10. Verificación del funcionamiento del ventilador.

Se le recomienda poner el ventilador a prueba antes de terminar la instalación. Regresar la corriente de electricidad en el cortacircuitos y encender el interruptor de la luz en la pared (si se aplica). Verificar las velocidades del ventilador con la cadena de encendido etiquetada VENTILADOR. Empezar en estado de APAGADO (sin movimiento de las aspas). Con el primer tirón el ventilador estará en marcha ALTA. El segundo tirón pondrá el ventilador en marcha MEDIA. El tercer tirón bajará el ventilador a marcha BAJA. Con el cuarto tirón se APAGARÁ el ventilador de nuevo. Poner a prueba la luz jalando la cadena de encendido etiquetada LUZ (**diagrama 1**). Si el ventilador y/o la luz no funciona(n), favor de referirse a la sección "Localización de fallas".

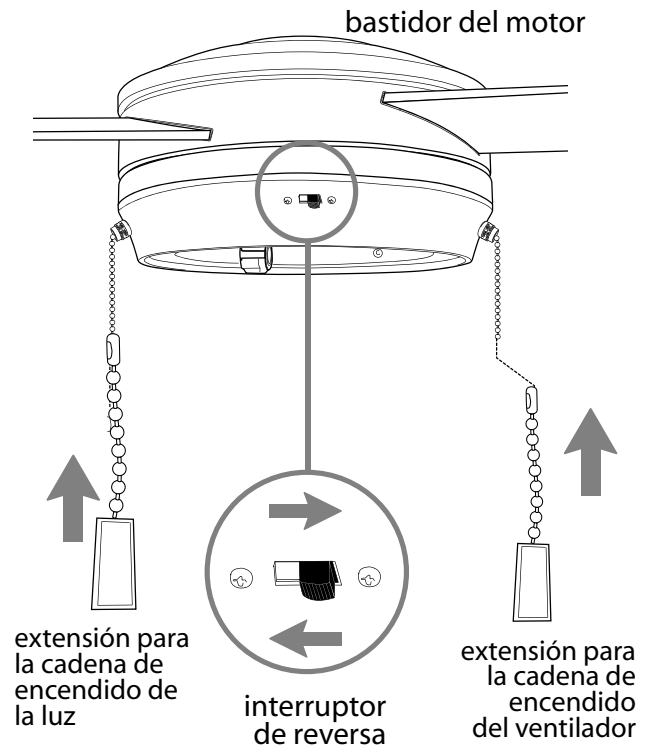
Apagar el ventilador completamente *antes* de mover el interruptor de reversa. Regularlo para que circule bien el aire dependiendo de las estaciones del año:

- posición IZQUIERDA en verano (**diagrama 2**)
- posición DERECHA en invierno (**diagrama 3**)

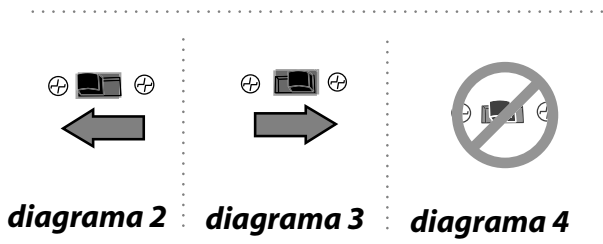
Un ventilador de techo le permitirá subir el termostato en verano y bajarlo en invierno sin notar una diferencia en su comodidad.

**Importante:** mover el interruptor de reversa *completamente* hacia la IZQUIERDA o *completamente* hacia la DERECHA para que funcione el ventilador. Si el interruptor de reversa está puesto en la posición *de en medio* (**diagrama 4**), no funcionará el ventilador.

Fijar las extensiones para las cadenas de encendido provistas a las cadenas de encendido o usar unas hechas a medida (a la venta por separado).



**diagrama 1**



**diagrama 2**

**diagrama 3**

**diagrama 4**

## Solución de problemas.

**ADVERTENCIA:** Si no se desconecta la fuente de alimentación antes de solucionar cualquier problema de cableado, pueden producirse lesiones graves.

Problema: el ventilador no funciona.

Soluciones:

- 1.Revise el interruptor de pared al ventilador.
- 2.Verifique que el interruptor de reversa esté configurado completamente en cualquier dirección.
- 3.Verifique para asegurarse de que el ventilador esté cableado correctamente.
- 4.Verifique que los enchufes macho y hembra estén conectados correctamente en el adaptador del kit de luz.

Problema: el kit de luz LED no se enciende.

Soluciones:

- 1.Revise el interruptor de pared al ventilador.
- 2.Verifique para asegurarse de que los cables en el dosel estén cableados correctamente.
- 3.Verifique que las conexiones molex en el kit de luz LED estén conectadas correctamente.

Problema: el ventilador funciona pero la luz falla.

Soluciones:

- 1.Verifique para asegurarse de que los cables en el dosel estén cableados correctamente.
- 2.Verifique que las conexiones molex en el kit de luz LED estén conectadas correctamente.

Problema: el ventilador se tambalea.

Soluciones:

- 1.Utilice el kit de equilibrio proporcionado en uno de los paquetes de hardware.
- 2.Verifique para asegurarse de que los tornillos de fijación en el yugo de la carcasa del motor estén firmemente apretados.
- 3.Compruebe para asegurarse de que el tornillo de fijación de la bola colgante esté bien apretado.

## Garantía.

### GARANTÍA LIMITADA DE POR VIDA:

Garantizamos este ventilador al comprador doméstico original para uso en interiores bajo las siguientes disposiciones: **GARANTÍA DE 1 AÑO:** Reemplazaremos o repararemos cualquier ventilador que tenga un funcionamiento defectuoso debido a un defecto de material o mano de obra. Repararemos o le enviaremos un ventilador de reemplazo y pagaremos el costo de envío de devolución.

**GARANTÍA DE 5 AÑOS:** Repararemos o reemplazaremos, sin cargo para el comprador original, cualquier motor del ventilador que no funcione satisfactoriamente cuando el fallo se deba al uso normal. **DEVOLVER EL MOTOR DEL VENTILADOR SOLAMENTE,** envío prepago, a Industrias. Repararemos o enviaremos al comprador un motor de reemplazo y pagaremos el costo de envío de devolución.

**GARANTÍA LIMITADA DE 6 AÑOS PARA TODA LA VIDA:** Repararemos el ventilador, sin cargo por mano de obra solo para el comprador original, si el motor del ventilador no funciona satisfactoriamente cuando el fallo resulta del uso normal. Las piezas utilizadas en la reparación se facturarán al comprador a los precios vigentes al momento de la reparación.

El comprador será responsable de todos los costos incurridos en el retiro, reinstalación y envío del producto para reparaciones. Esta garantía no se aplica cuando los daños causados por el abuso mecánico, físico, eléctrico o de agua provocan el mal funcionamiento. El deterioro de los acabados u otras partes debido al tiempo o la exposición al aire salado está específicamente exento bajo esta garantía. Ni nosotros ni el fabricante asumiremos ninguna responsabilidad derivada de la instalación o el uso incorrectos de este producto. En ningún caso, la empresa será responsable de los daños consecuentes por incumplimiento de esta, o de cualquier otra garantía expresa o implícita. Esta limitación en cuanto a daños consecuentes no se aplicará en los estados donde esté prohibido.