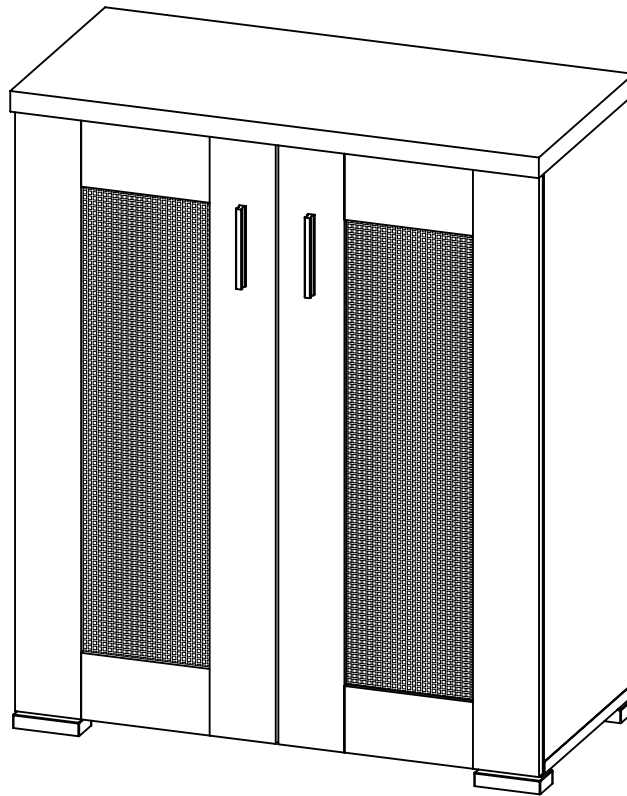


ASSEMBLY INSTRUCTIONS



SHOE CABINET

ASSEMBLY INSTRUCTIONS

ASSEMBLY TIPS:

1. Remove hardware from box and sort by size.
2. Please check to see that all hardware and parts are present prior to start of assembly.
3. Please follow attached instructions in the same sequence as numbered to assure fast & easy assembly.



WARNING!

1. Don't attempt to repair or modify parts that are broken or defective. Please contact the store immediately.
2. This product is for home use only and not intended for commercial establishments.

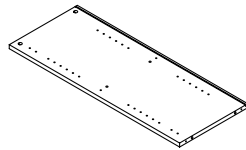


ASSEMBLY TIME

60 MINUTES

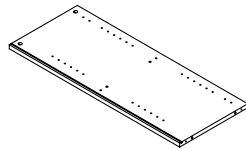
PARTS IDENTIFICATION

A LEFT SIDE
PANEL



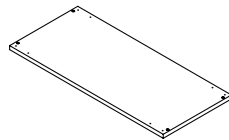
1 PC

B RIGHT SIDE
PANEL



1 PC

C BOTTOM PANEL



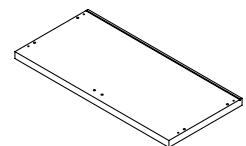
1 PC

D CROSS PANEL



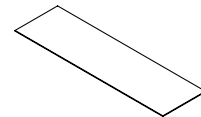
1 PC

E TOP PANEL



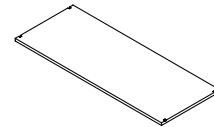
1 PC

F BACK PANEL



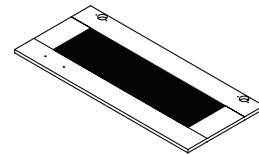
4 PCS

G ADJUSTABLE
SHELF



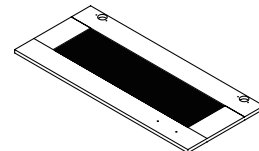
4 PCS

H LEFT DOOR



1 PC

I RIGHT DOOR



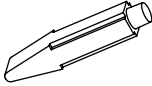
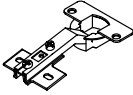
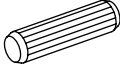

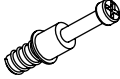




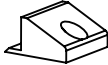
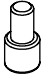

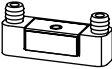
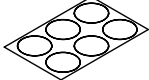
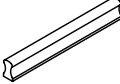


1 PC

NOTE:

Phillips head screw driver is required in the assembly process; however, manufacturer does not provide this item.

HARDWARE IDENTIFICATION

Z

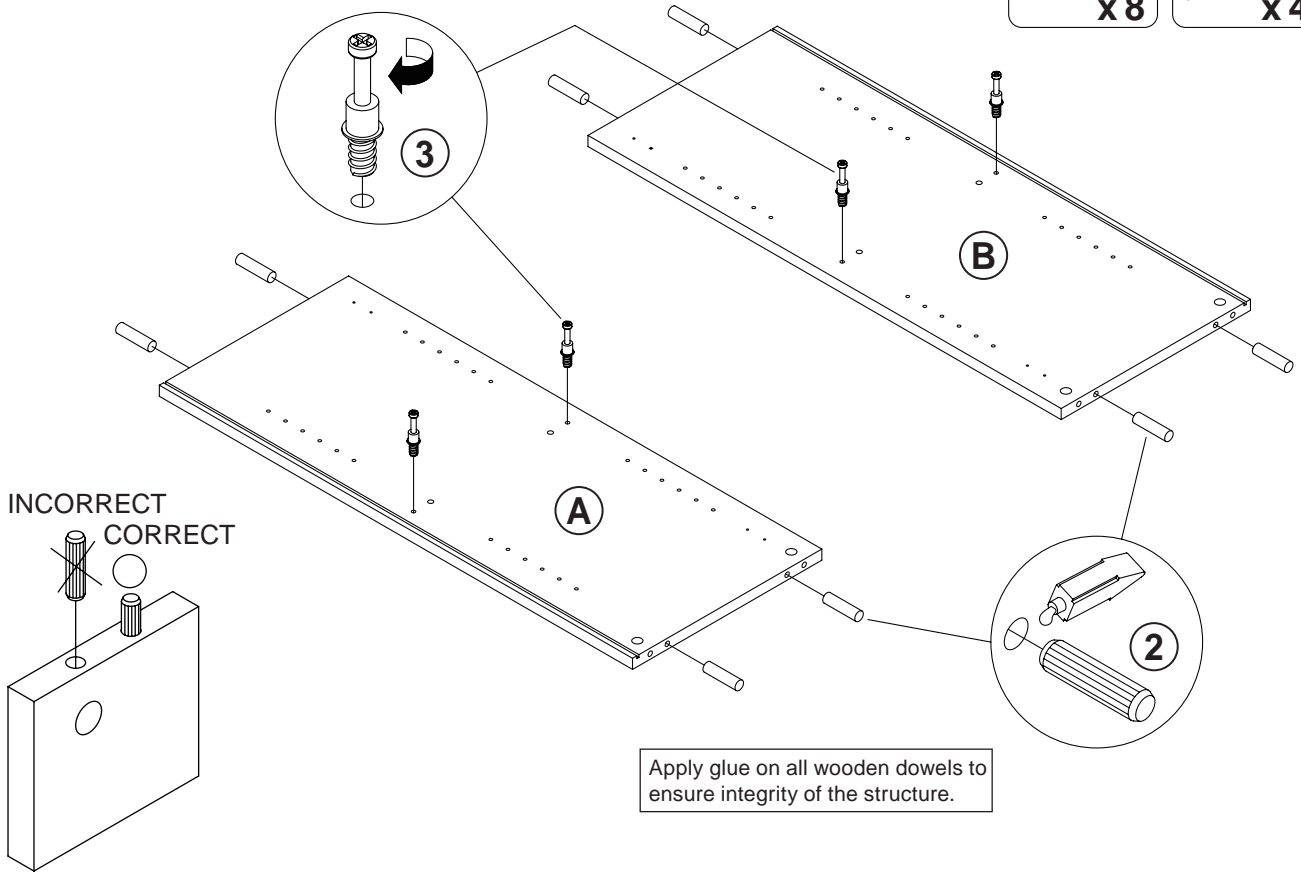
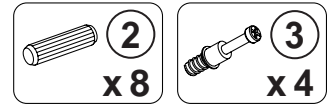
NO	DESCRIPTION	FIGURE	Q'TY	NO	DESCRIPTION	FIGURE	Q'TY
1	GLUE 15g		1 PC	10	HINGE Ø35mm SR		4 PCS
2	WOODEN DOWEL Ø8x30mm		12 PCS	11	HINGE SCREW Ø4x15mm SR		16 PCS
3	CAM BOLT Ø7x35.5mm SR		8 PCS	12	FOOT 100x50x25mm		4 PCS
4	CAM LOCK Ø15x12mm SR		8 PCS	13	FOOT SCREW Ø5x25mm SR		8 PCS
5	SCREW Ø4.5x42mm SR		4 PCS	14	FIXER		6 PCS
6	PIN FOR ADJUSTABLE SHELF Ø4.9x8mm SR		16 PCS	15	FIXER SCREW Ø3x19mm SR		6 PCS
7	DOOR CATCH		1 PC	16	STICKER Ø 20mm		2 PCS
8	HANDLE L=120mm		2 PCS	17	I BAR L=759mm		2 PCS
9	HANDLE BOLT Ø4x28mm BLK		4 PCS				

Z8,Z9,Z10,Z12,Z17 not included in blister packaging.

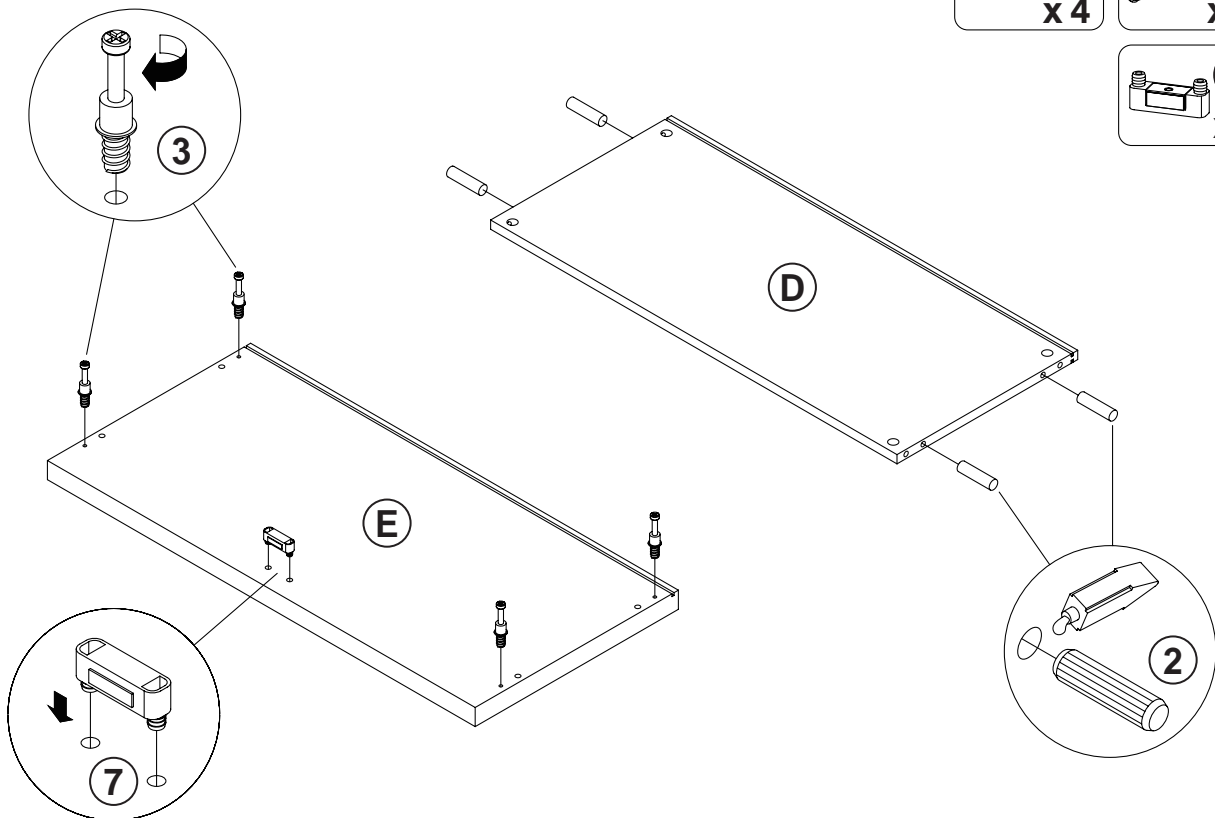
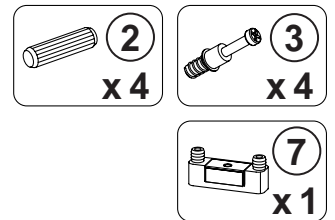
NOTE:

Phillips head screw driver is required in the assembly process; however, manufacturer does not provide this item.

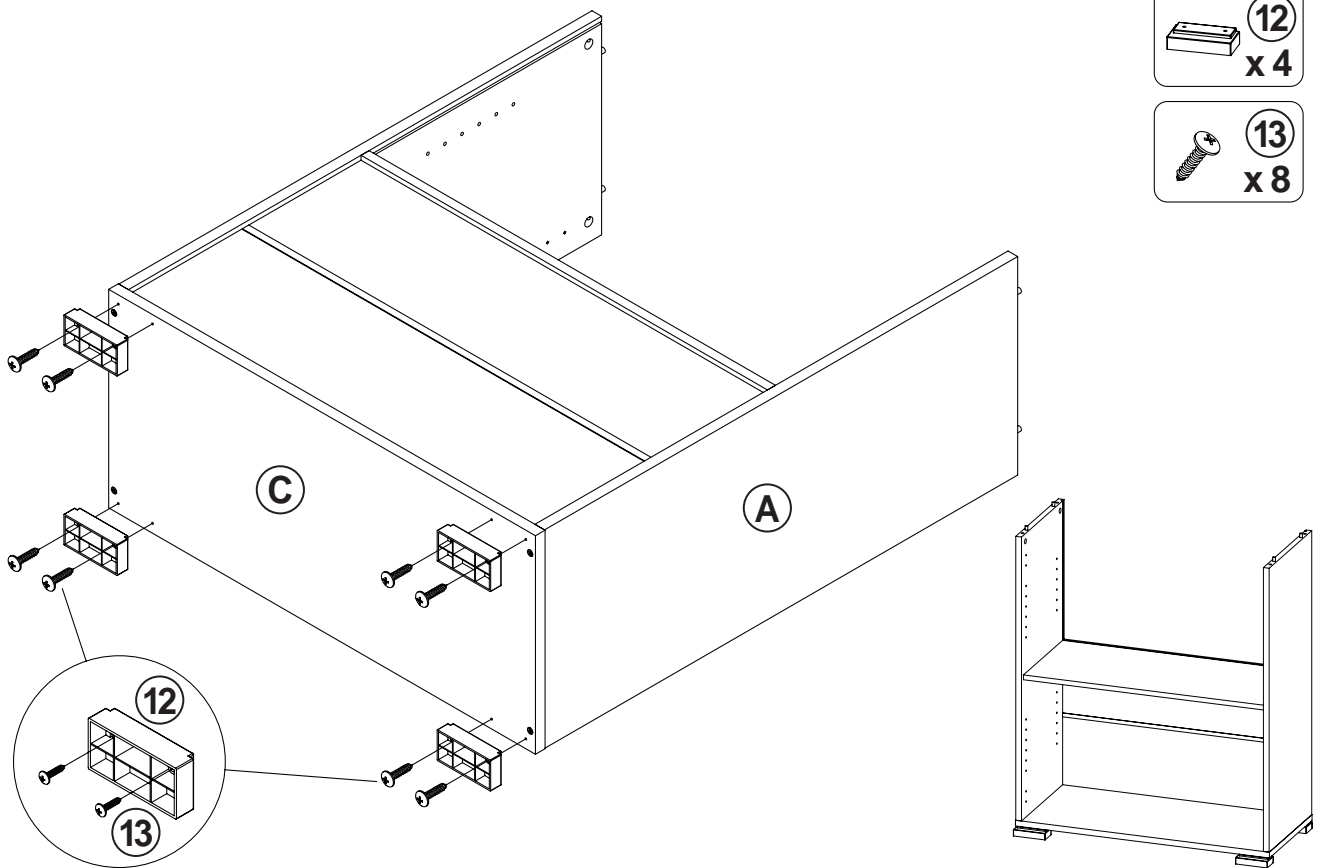
STEP 1



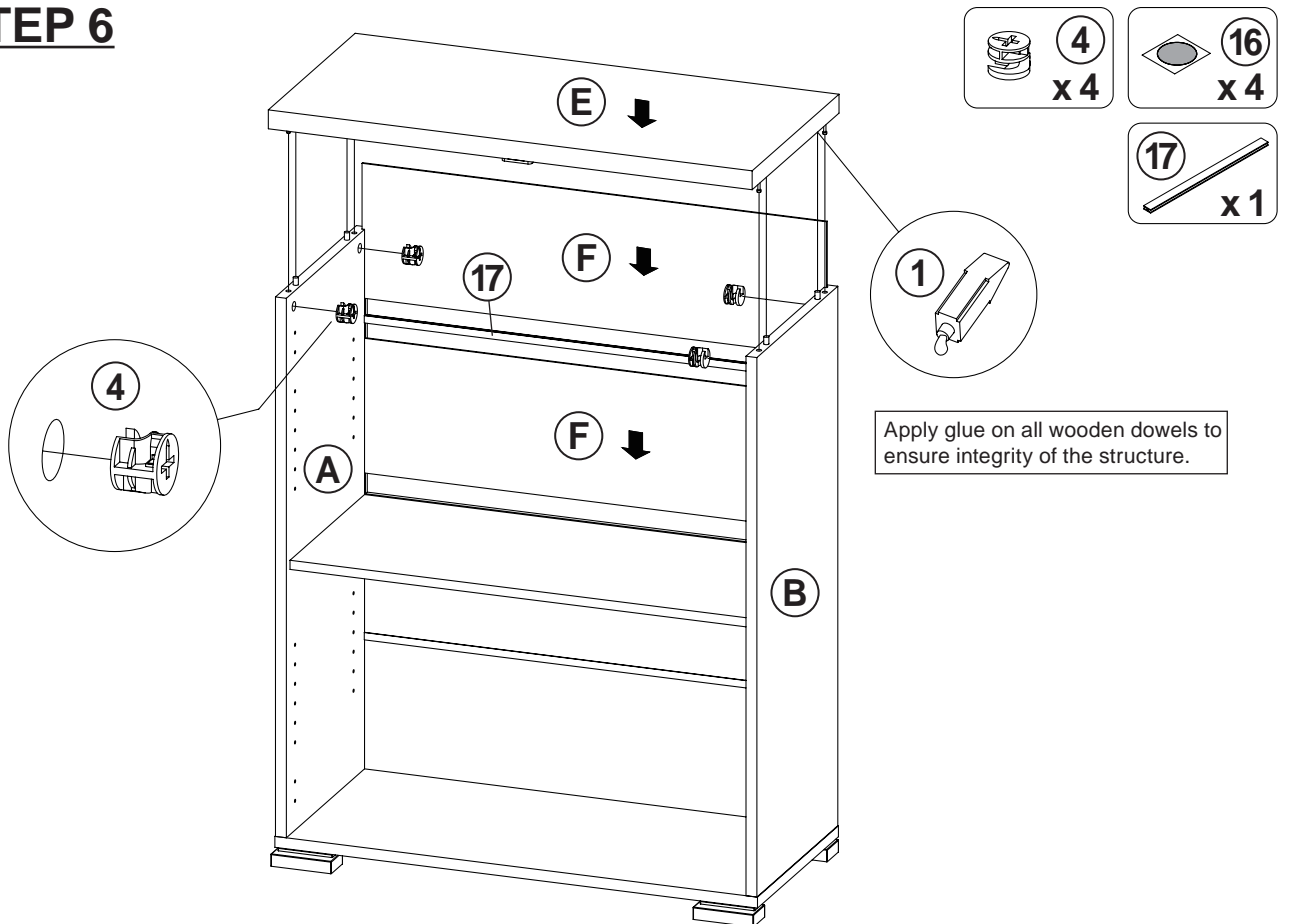
STEP 2



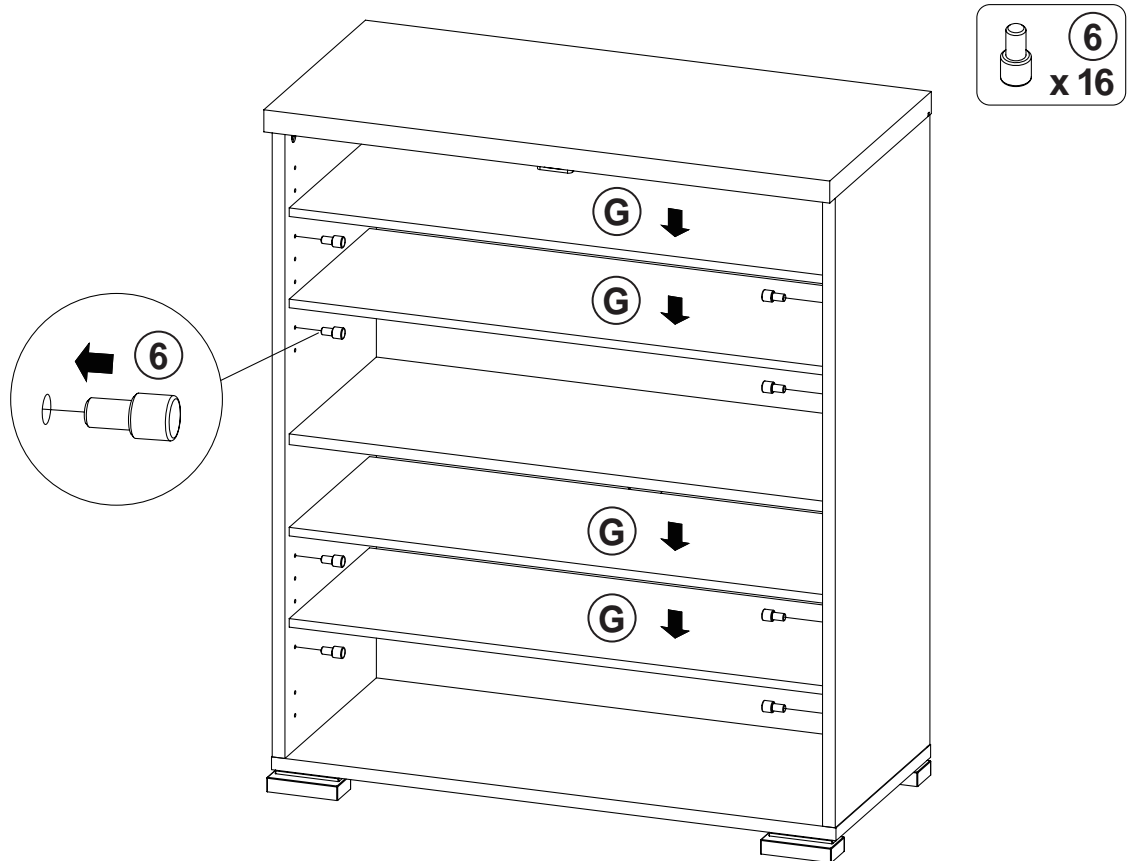
STEP 5



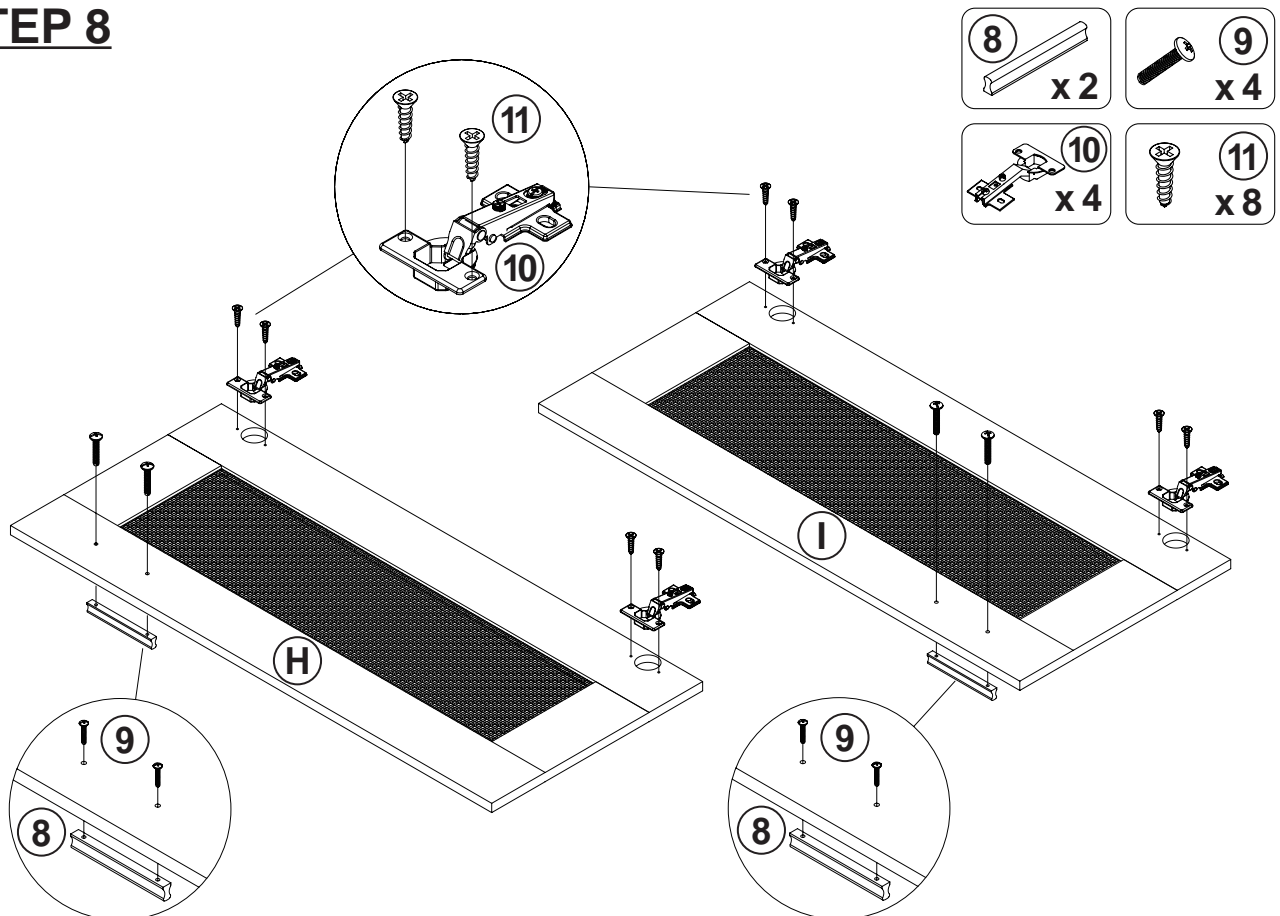
STEP 6



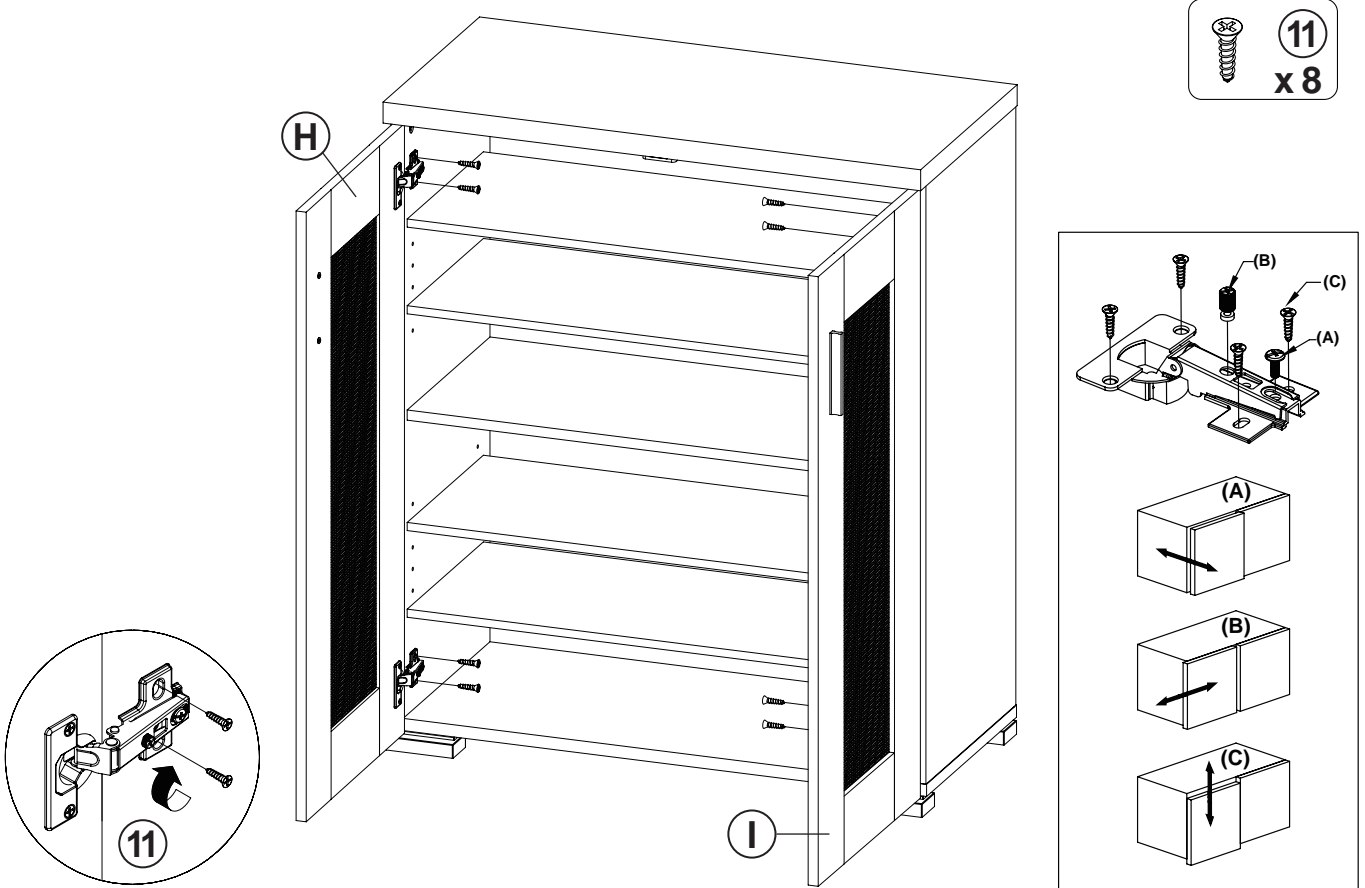
STEP 7



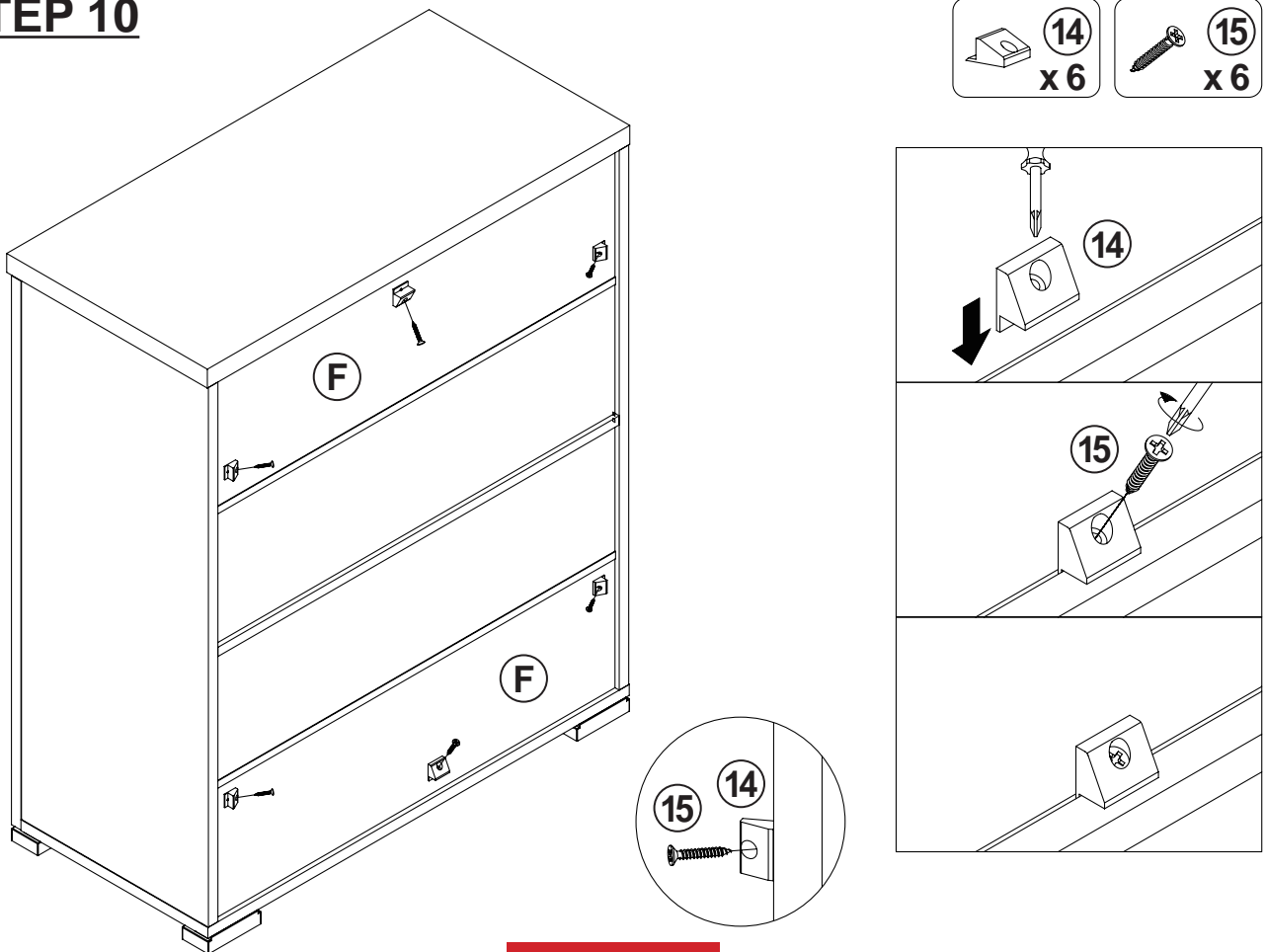
STEP 8

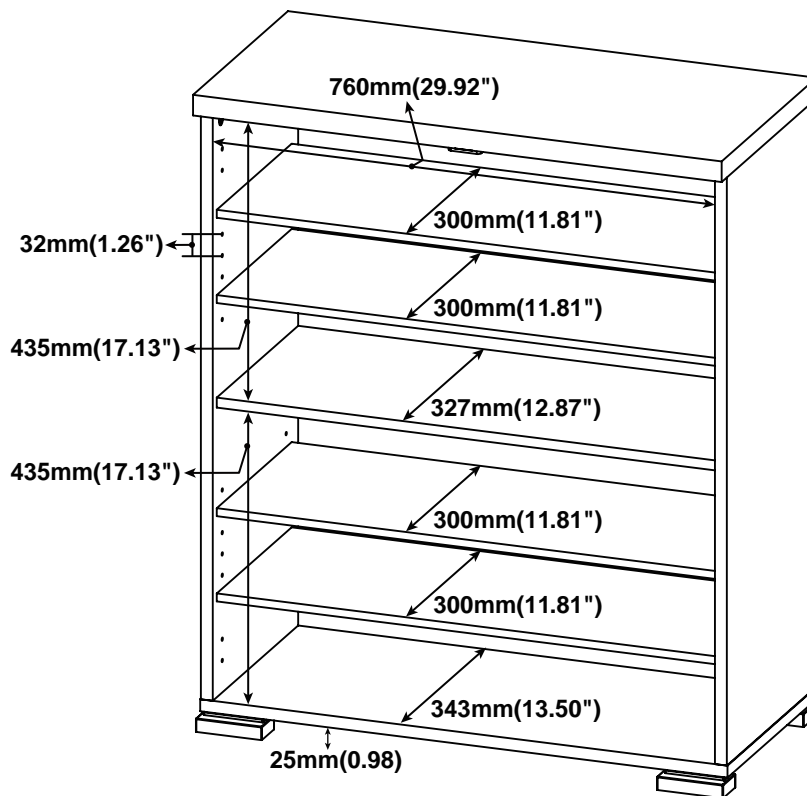
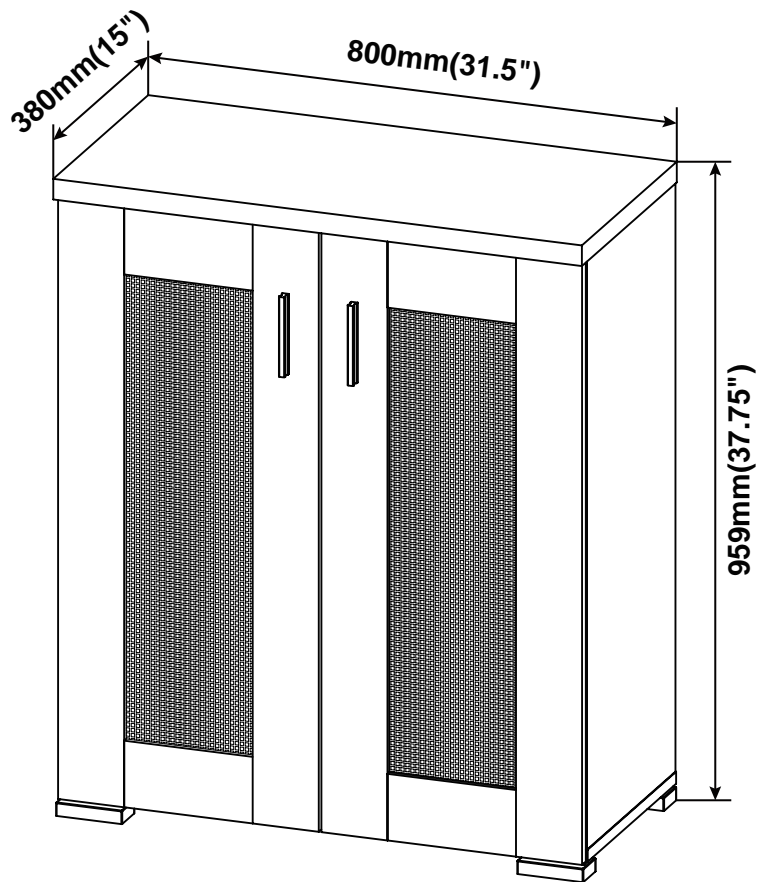


STEP 9



STEP 10





Note : Dimension tolerance $\pm 5\%$

ANTI-TIPPING INSTALLMENT INSTRUCTIONS

FURNITURE TIPPING RESTRAINT

WARNING

Injury may result from tipping furniture.
This restraint may protect against tipping furniture.
Do not allow children to climb on furniture.
This restraint is not a substitute for proper adult supervision.
Failure to detach this restraint before moving the furniture
may result in injury and damage.

1. To attach the anti-tip strap, securely mount one end to the top of the case piece with the 5/8" screw.
2. Position the case piece against the wall in the desired location.
3. Pull the anti-tip strap taut and mark the position of where you will secure the other end on the wall.
4. Drill a 1-1/4" hole in the spot you marked.
5. Tap in plastic wall plug.
6. Fasten anti-tip strap with wall screw provided.

(Please install the anti-tipping kit in the middle of the case piece if only have one set of anti-tipping kit.)

