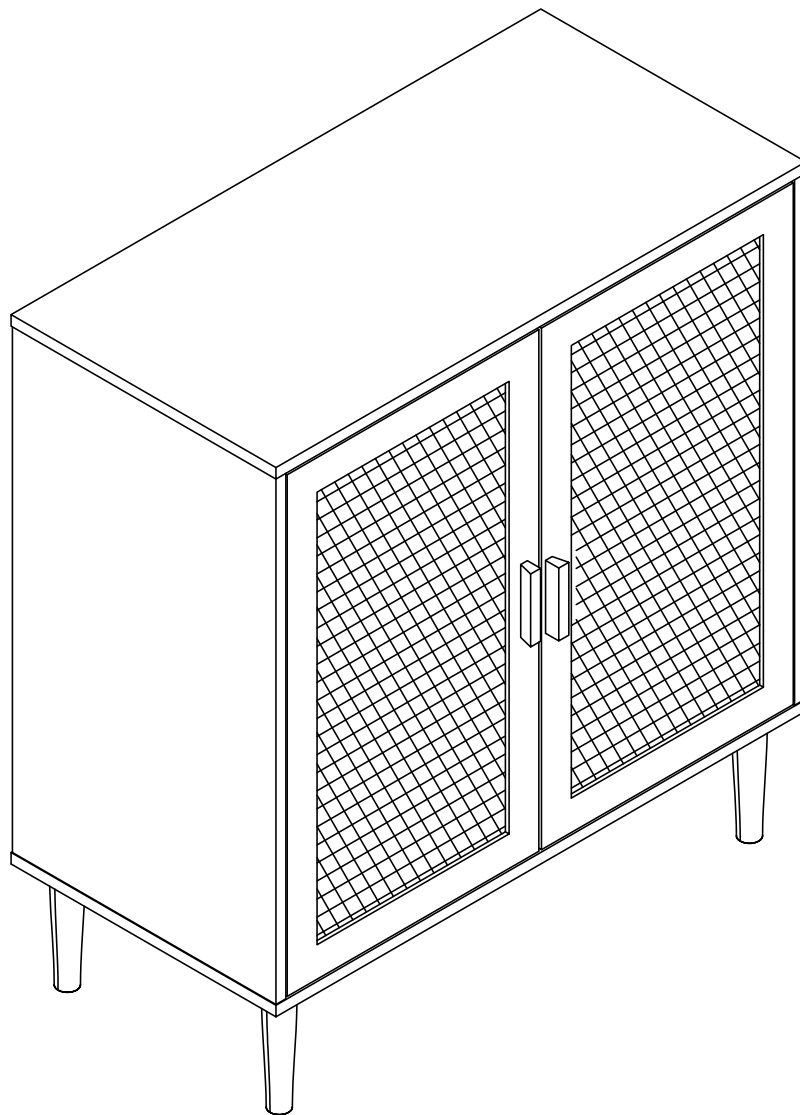
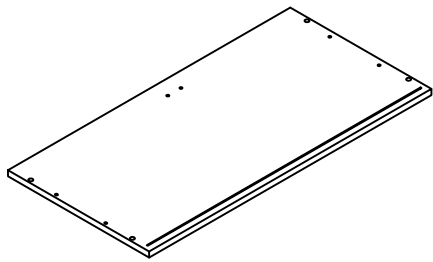


Installation & Assembly

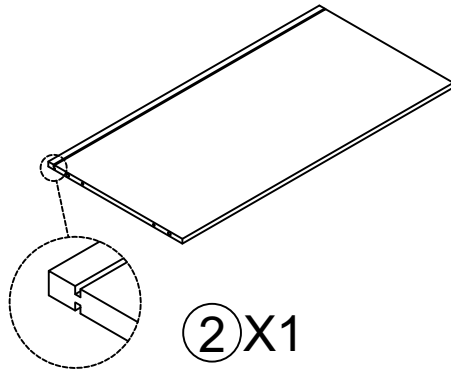
Cabinet



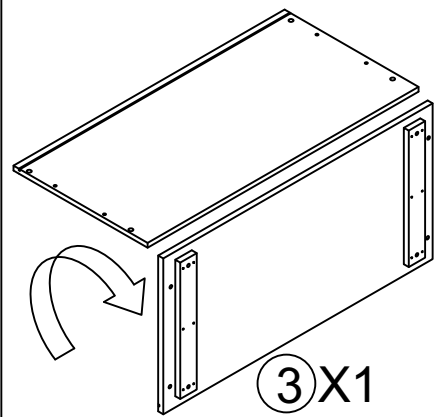
Part list



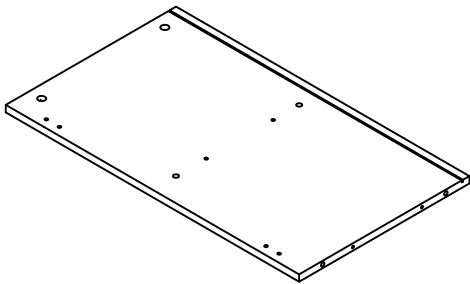
① X1



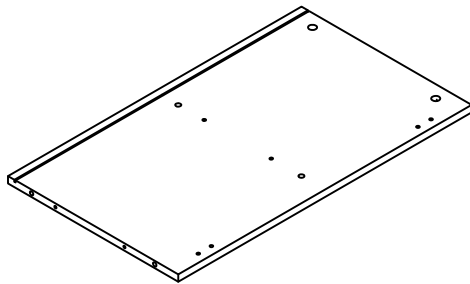
② X1



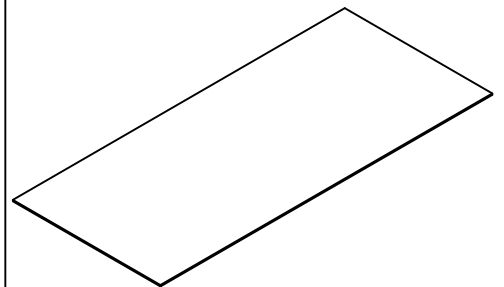
③ X1



④ X1



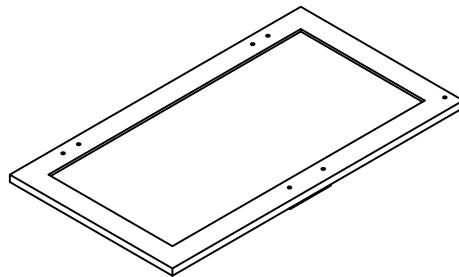
⑤ X1



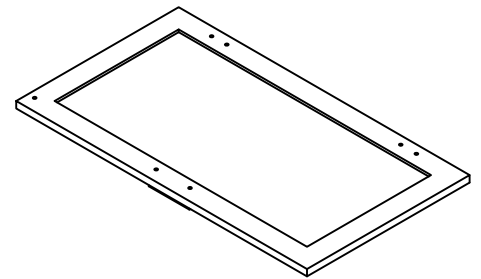
⑥ X2



⑦ X4



⑧ X1



⑨ X1

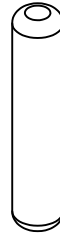
Hardware list



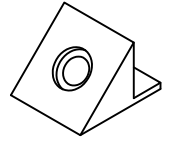
Ⓐ X8



Ⓑ X8



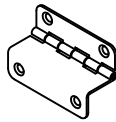
Ⓒ X12



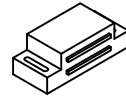
Ⓓ X8



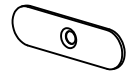
Ⓔ X29



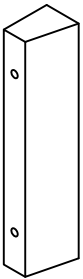
Ⓕ X4



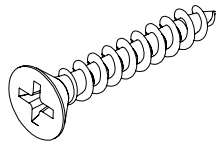
Ⓖ X1



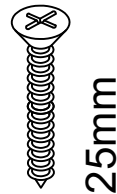
Ⓗ X2



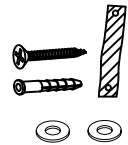
Ⓘ X2



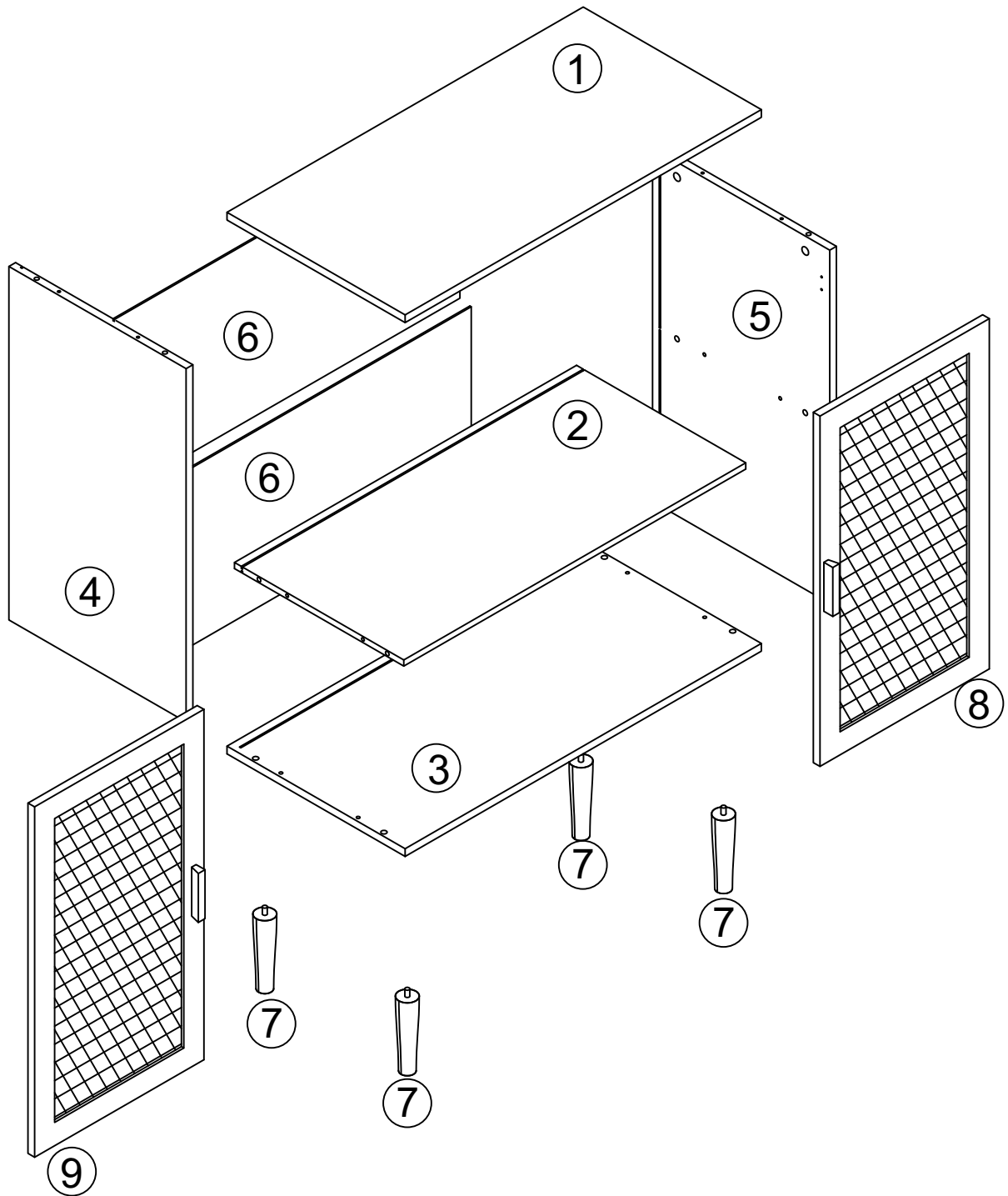
Ⓙ X4



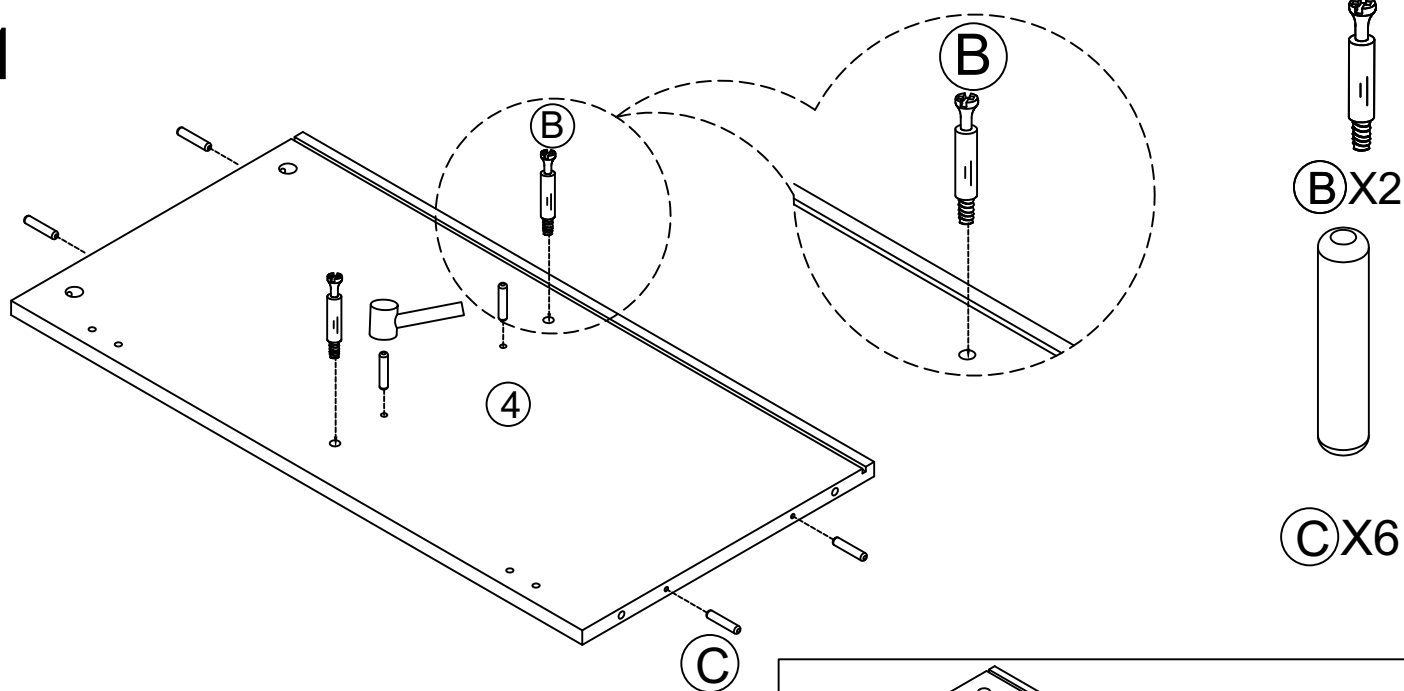
Ⓚ X4



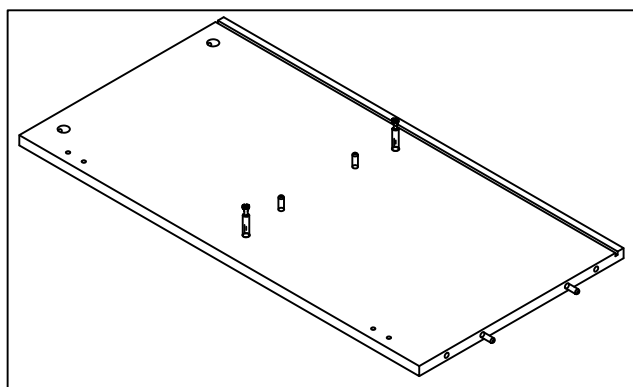
Ⓛ X1



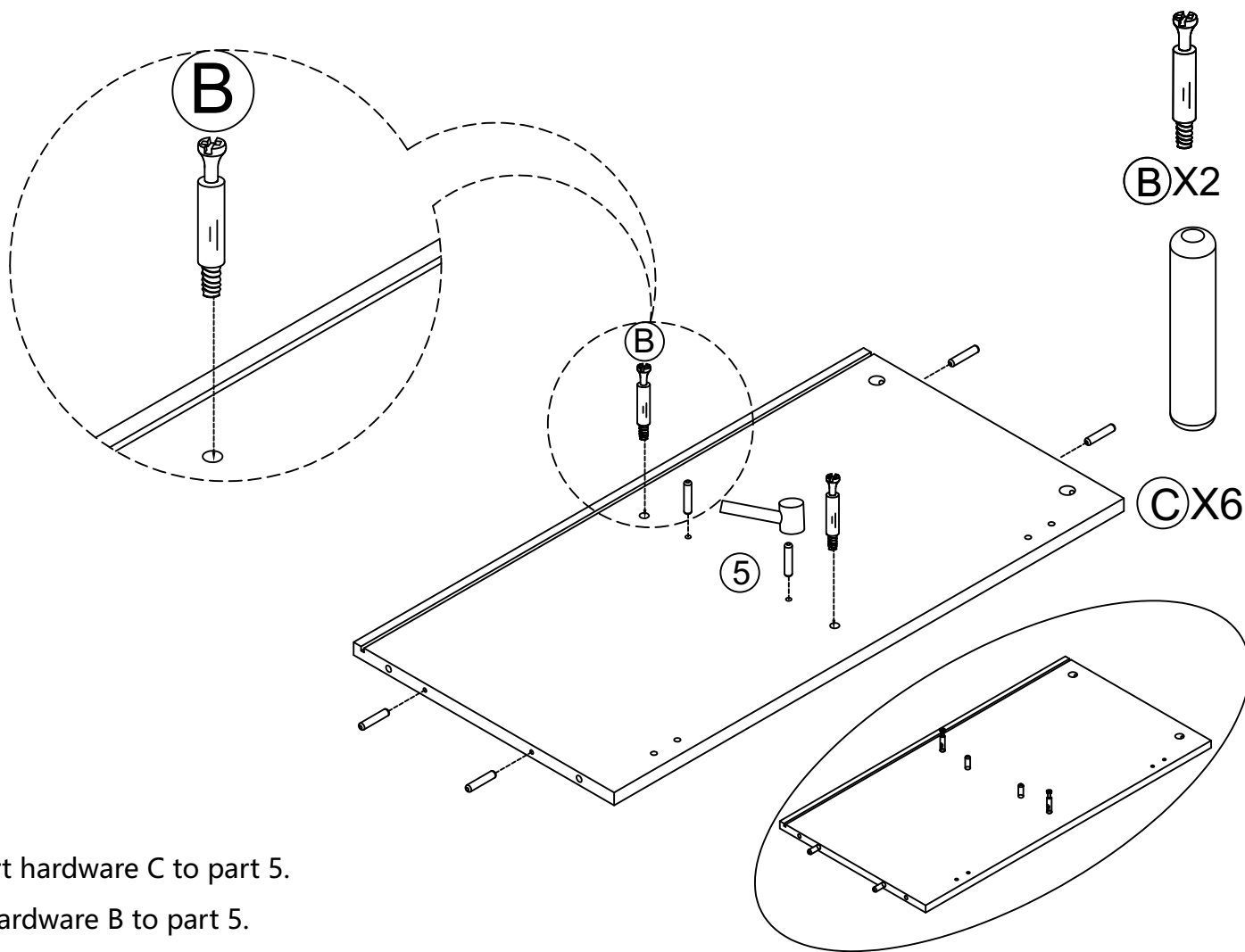
1



Insert hardware C to part 4.
Fix hardware B to part 4.

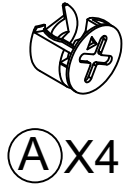
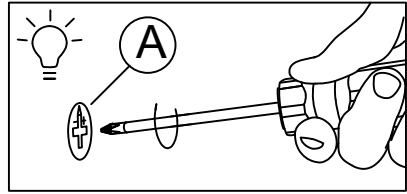
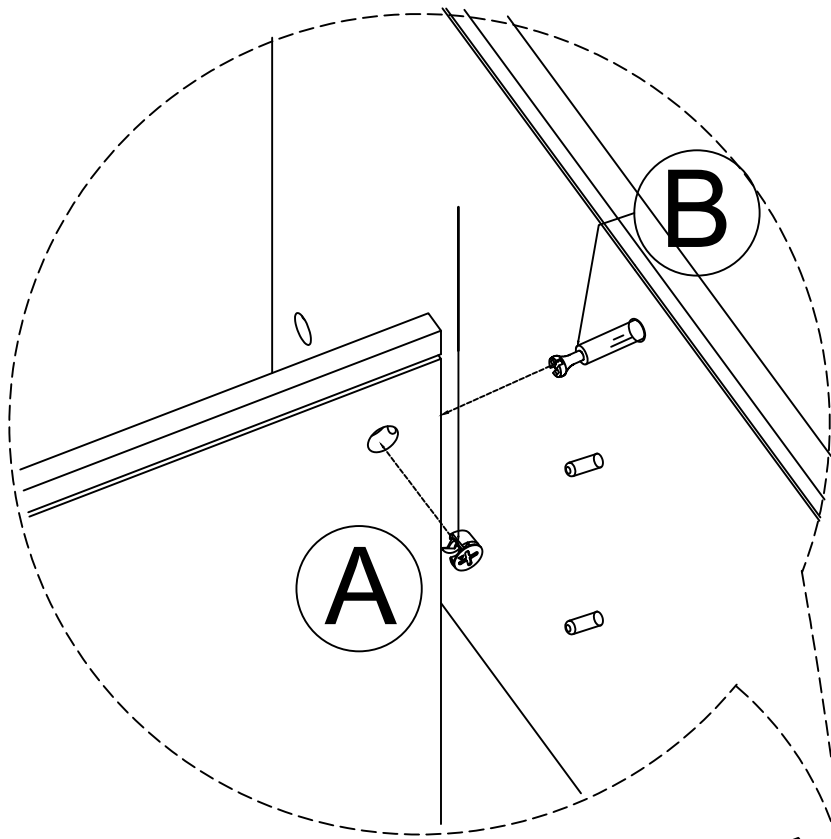


2

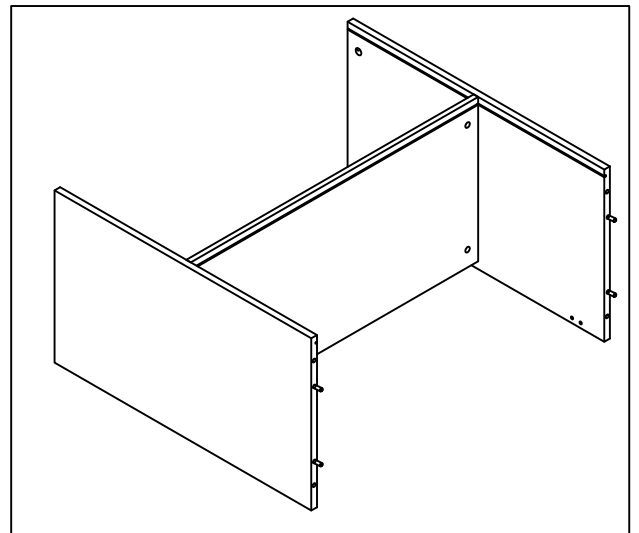
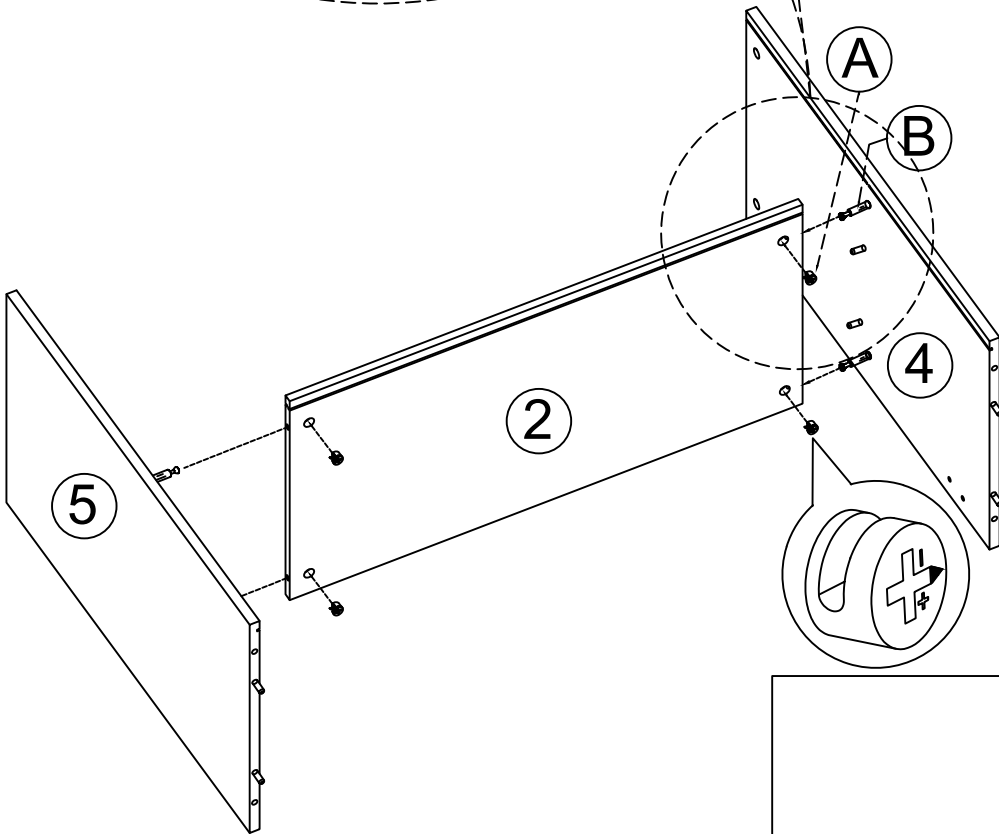


Insert hardware C to part 5.
Fix hardware B to part 5.

3

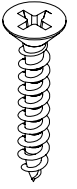


A X4

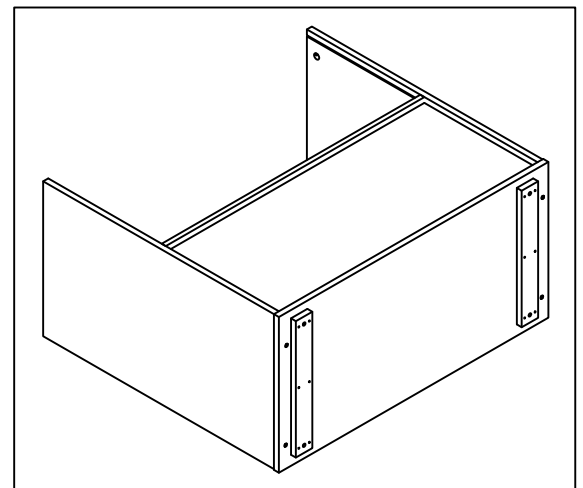
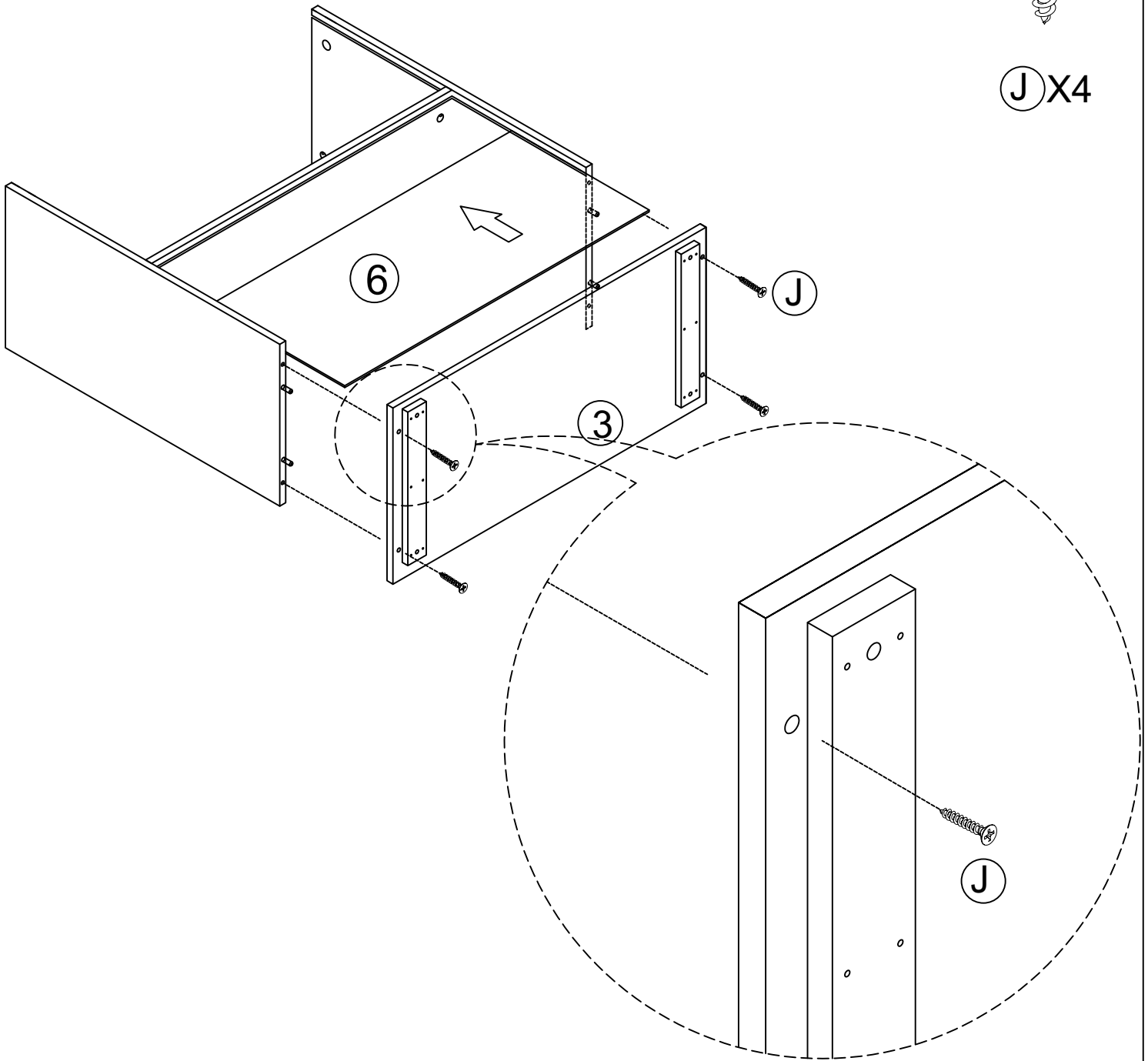


Connect Part 5, Part 4 to Part 2 through B and C , tighten them with hardware A.

4

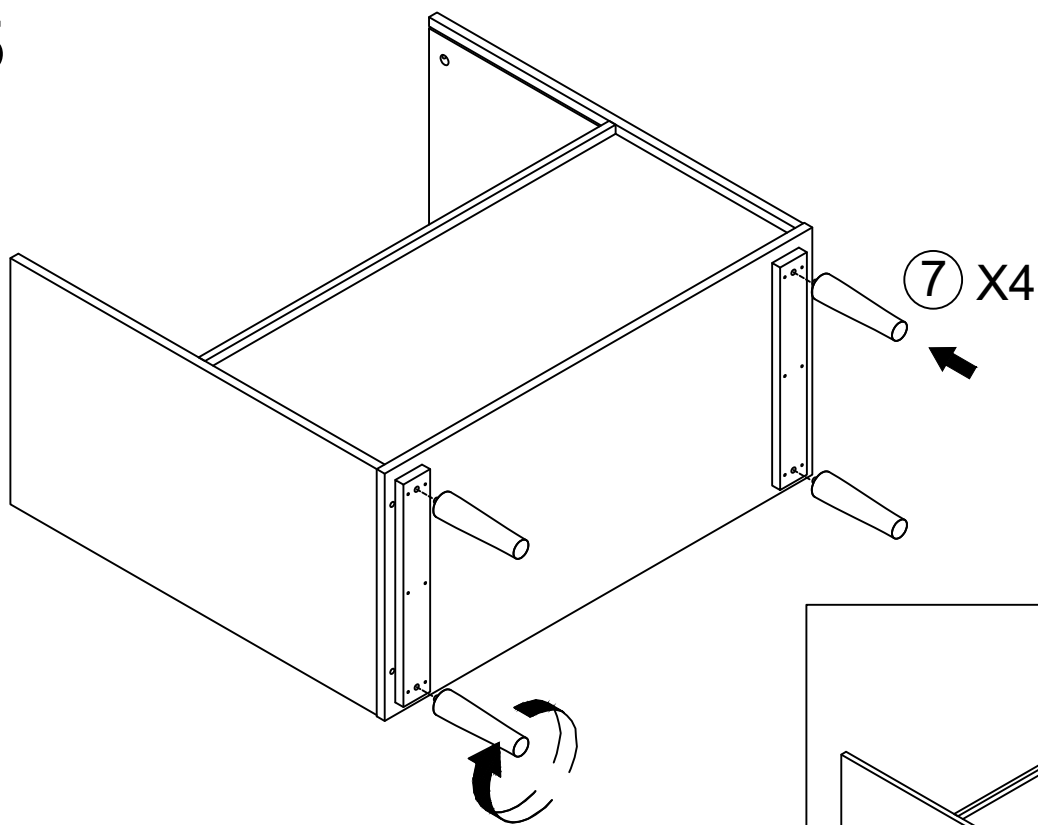


(J) X4



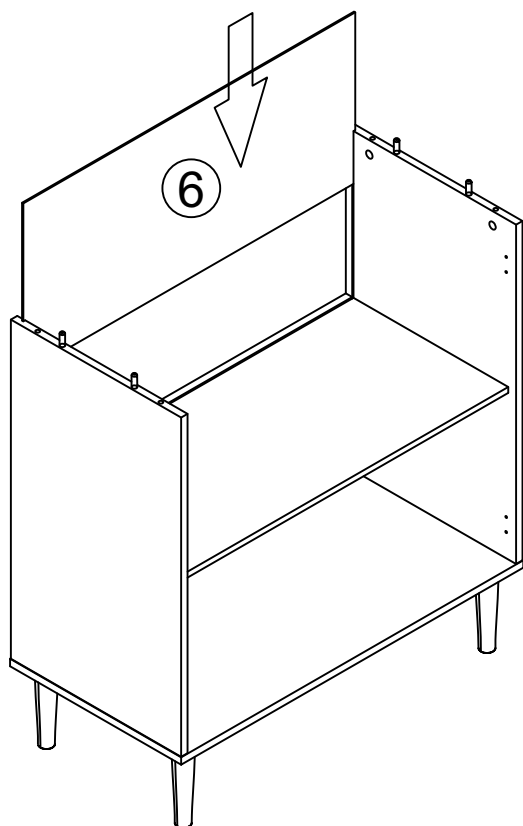
Put Part 6 to the groove of Part 4 and Part 5 .
Connect Part 3 to Part 4 and Part 5 through C ,tighten
them with hardware J.

5



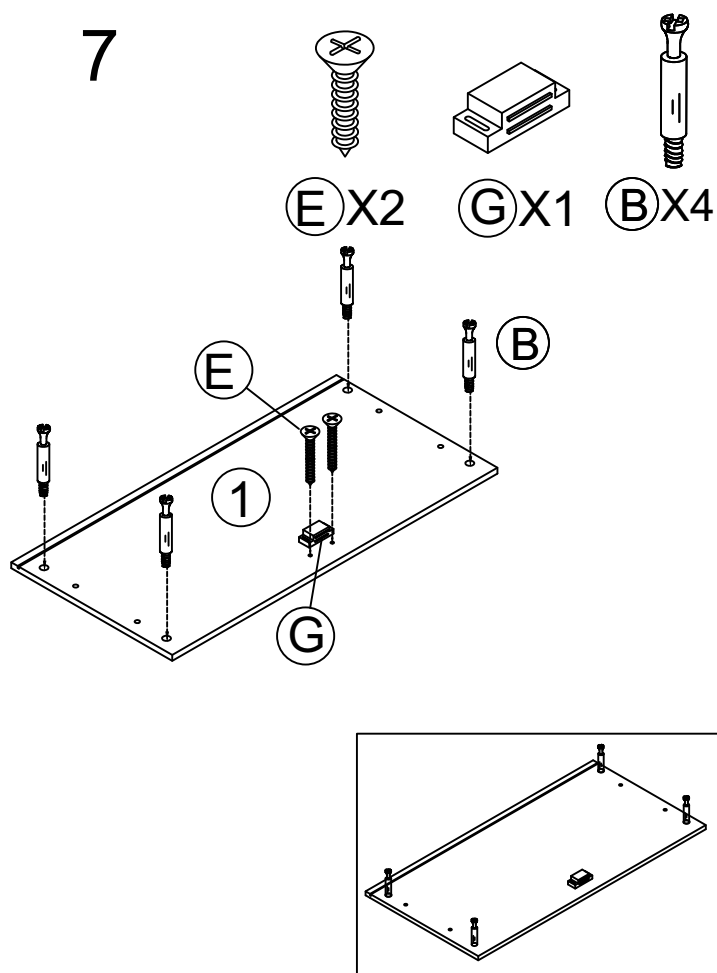
Screw Part 7 to Part 3

6



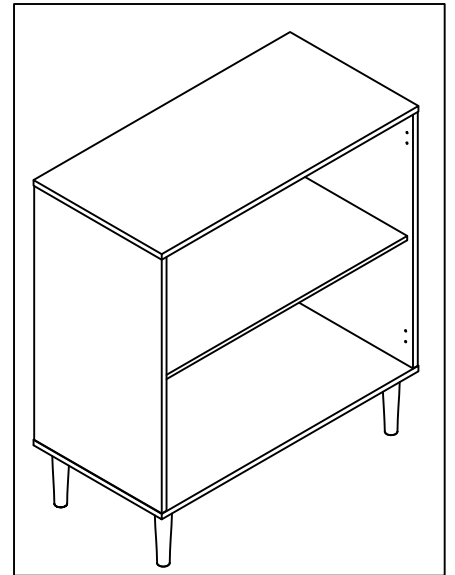
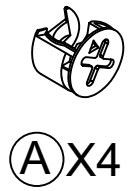
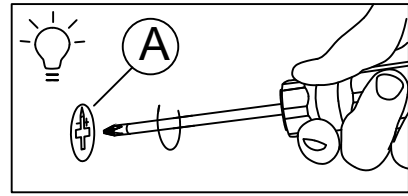
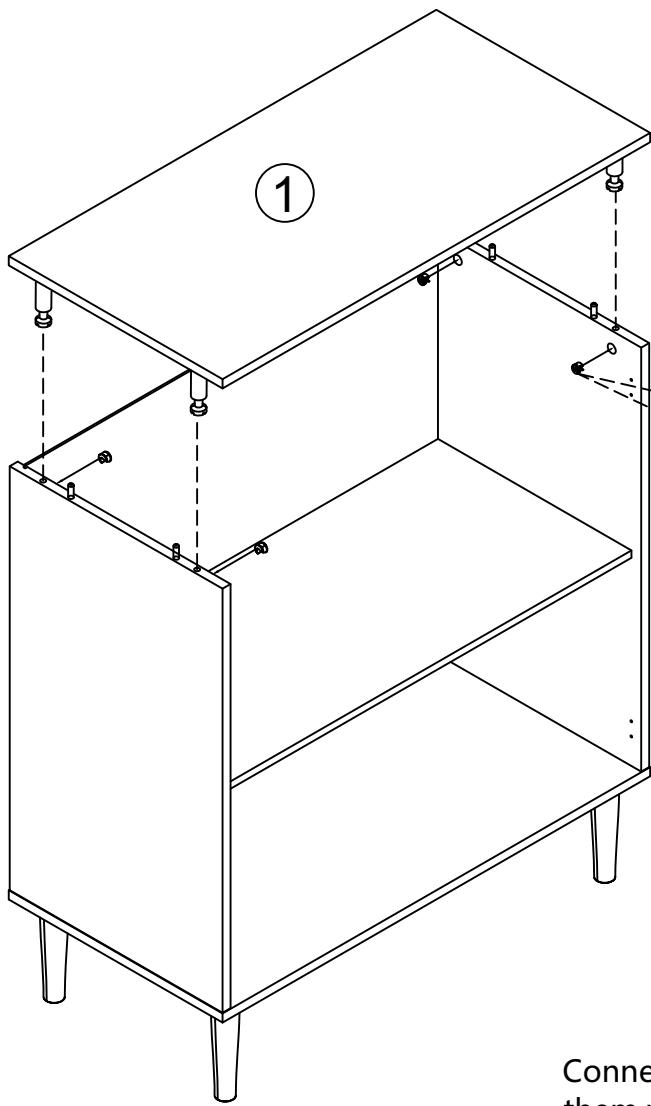
Put Part 6 to the groove of Part 4 and Part 5 .

7



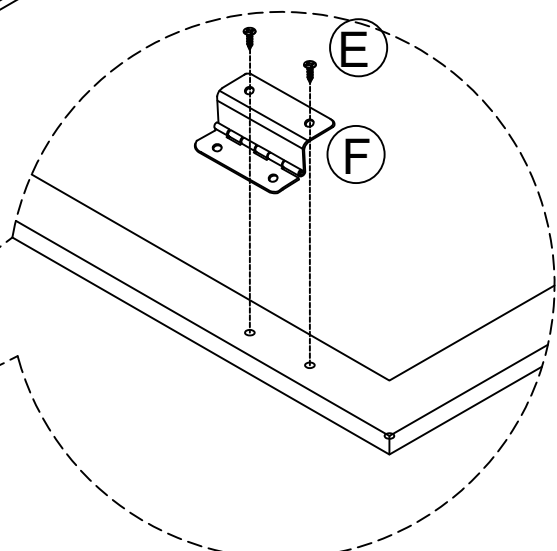
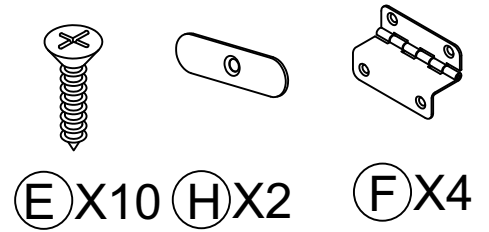
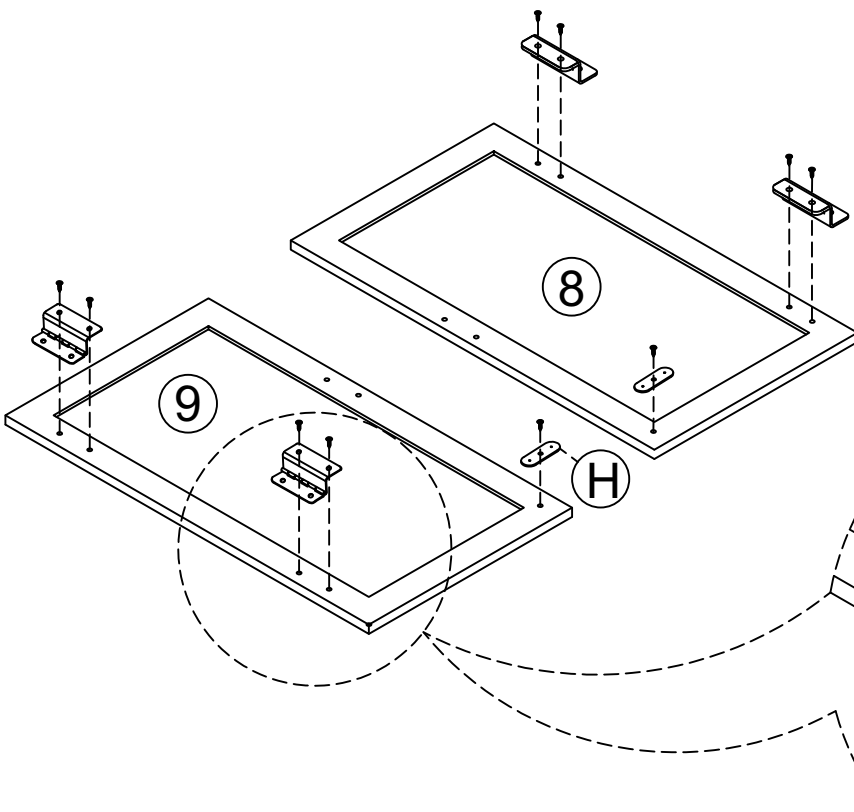
Fix hardware B to part 1.
Fix hardware G to Part 1 with screw E.

8



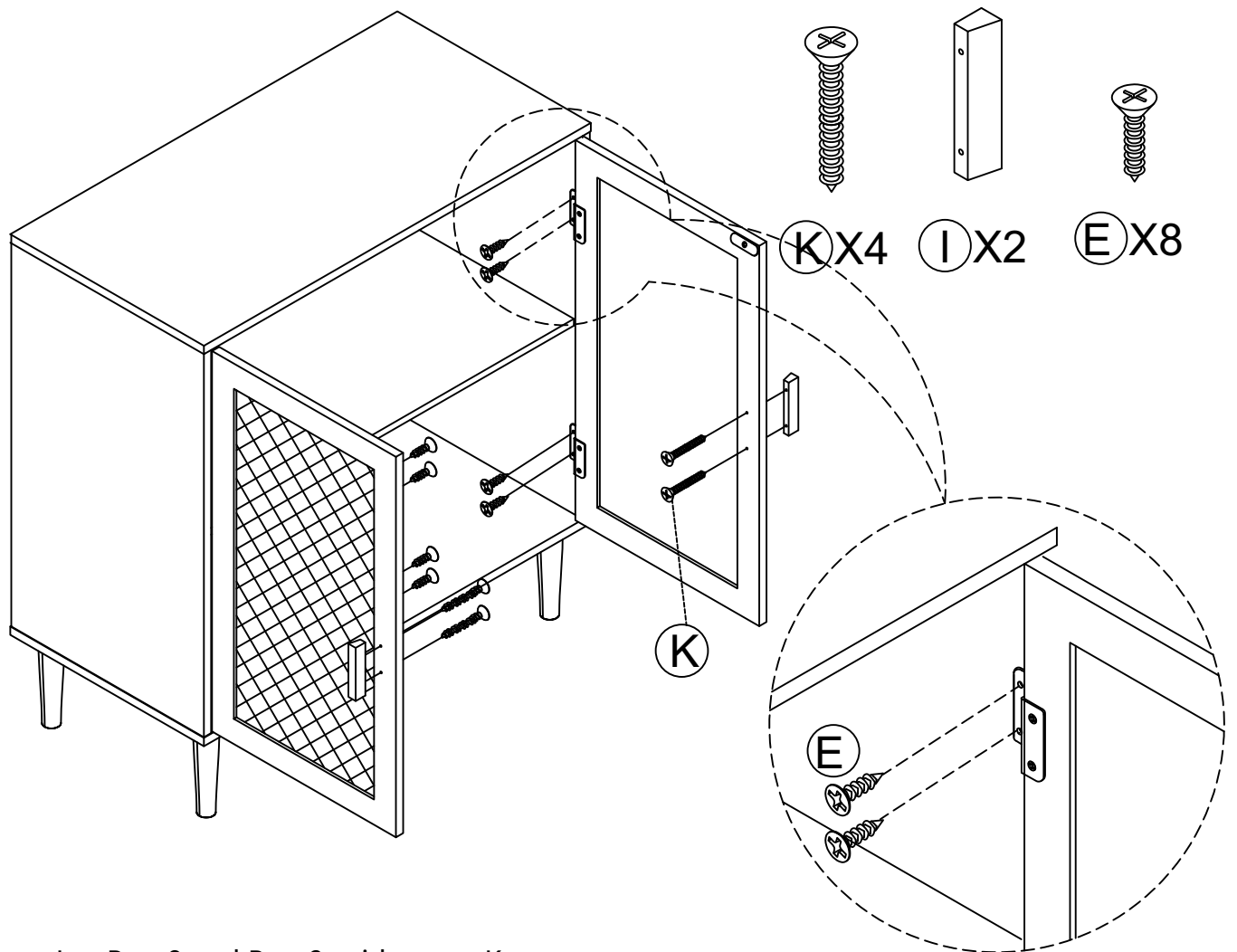
Connect Part 5, Part 4 to Part 1 through B and C, tighten them with hardware A.

9



Fix hardware H to part 8 and part 9.
Fix hardware F to Part 8 and Part 9 with screw E.

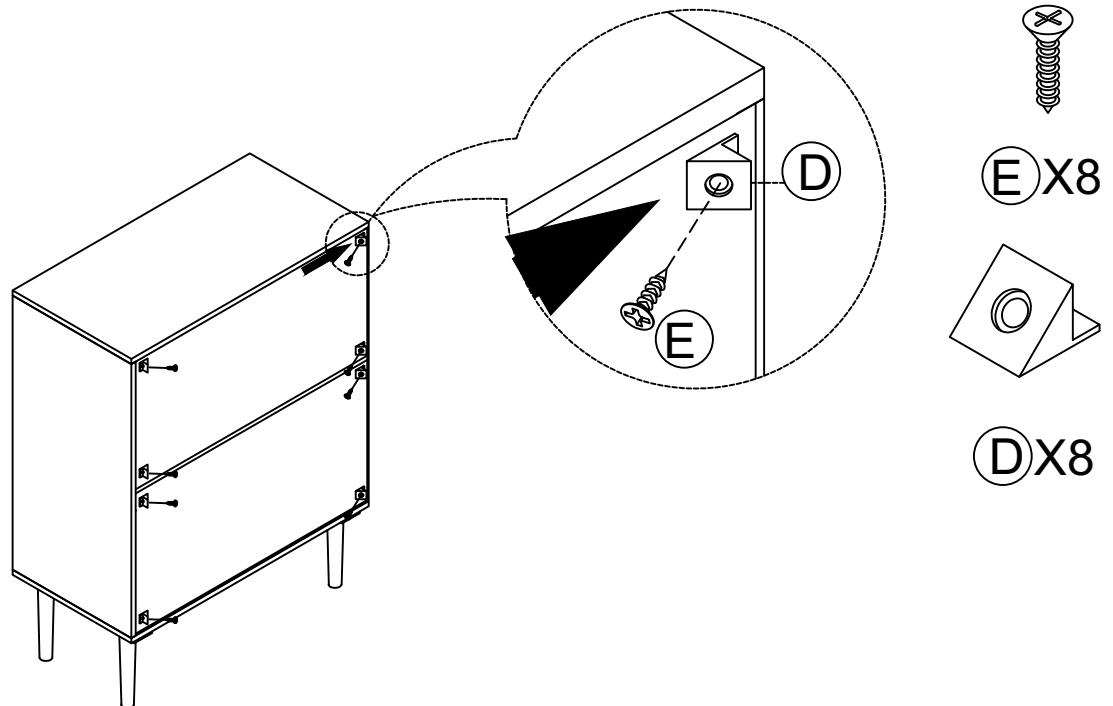
10



Fix hardware I to Part 8 and Part 9 with screw K.

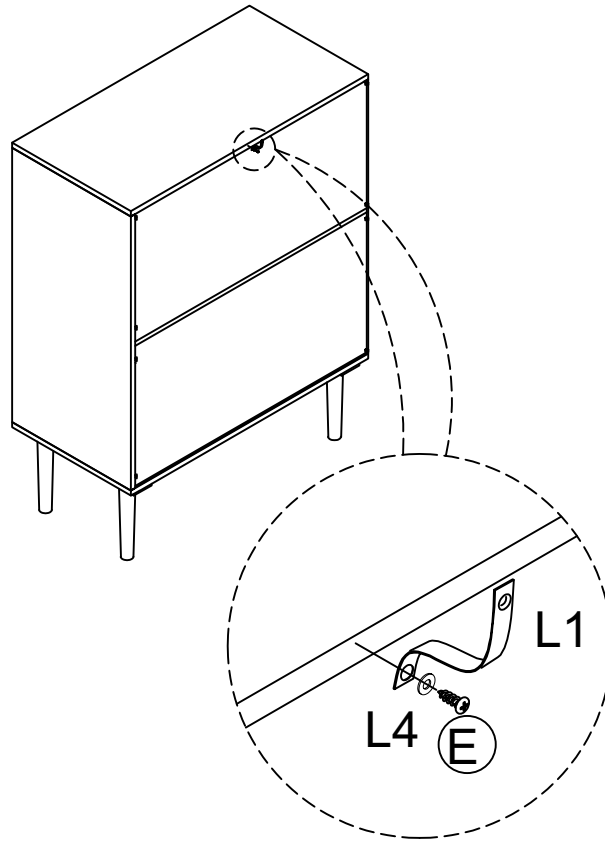
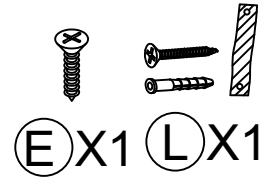
Fix Part 8 and Part 9 to Part 4 and Part 5 with screw E.

11

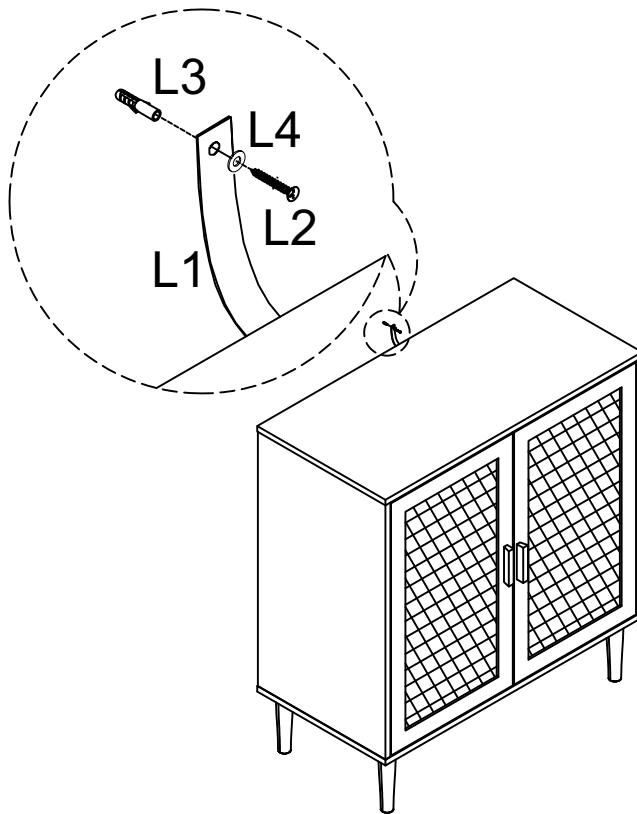


Put hardware D to the groove and tighten them with hardware E.

12



Fix hardware L1 to Part 1 with screw E/L4.



Fix hardware L3 to the wall .

Fix hardware L2/L4 to hardware L3 with hardware L1 .