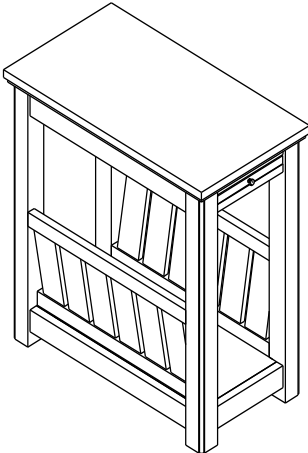


Magazine End Table



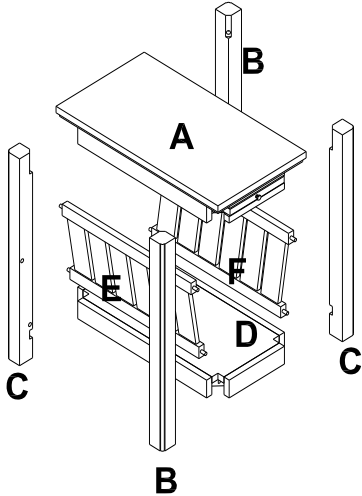
Thank you for purchasing the Magazine End Table. We have found it helpful to have a second person present during the assembly process.

Chairside End Table Assembly Instructions

Parts

NO.	DRAWING	DESCRIPTION	QTY.
A		TOP	1
B		POST	2
C		POST	2
D		BOTTOM	1
E		SIDE PANEL-L	1
F		SIDE PANEL-R	1

NO.	DRAWING	DESCRIPTION	QTY.
G		M6*45MM BOLT	8
H		WRENCH	1
I		METAL KNOB	1
J		KNOB SCREW	1
K		WOOD DOWEL	8



Step 1

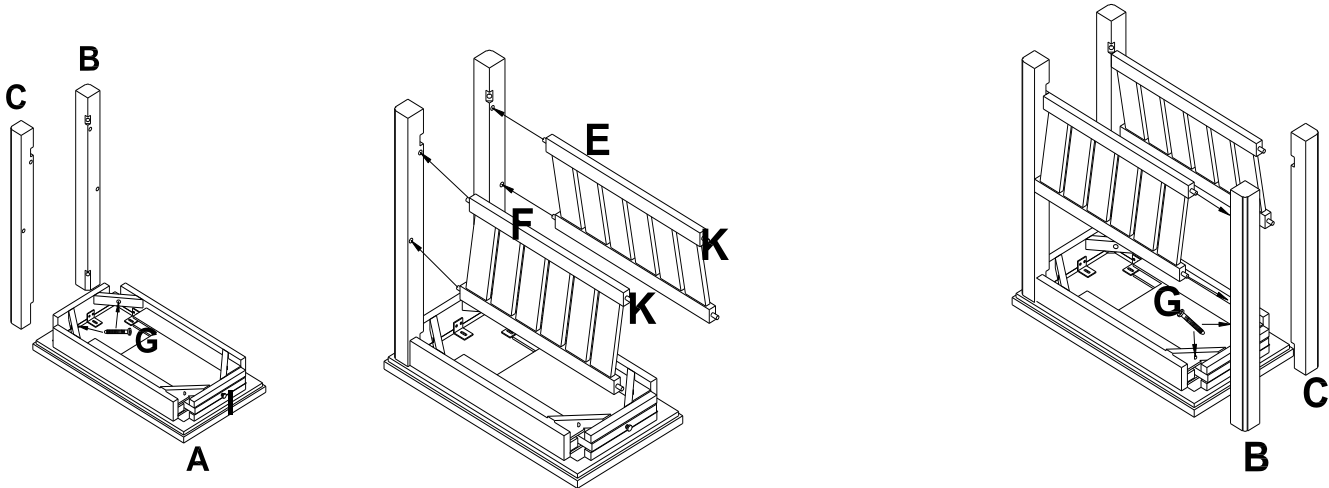
Read through these instructions thoroughly before beginning assembly. We have found this to be of great value when assembling this product.

Step 2

Remove all parts and hardware from packing material. Wooden pieces should be placed on a non abrasive surface to prevent damage to the finish.

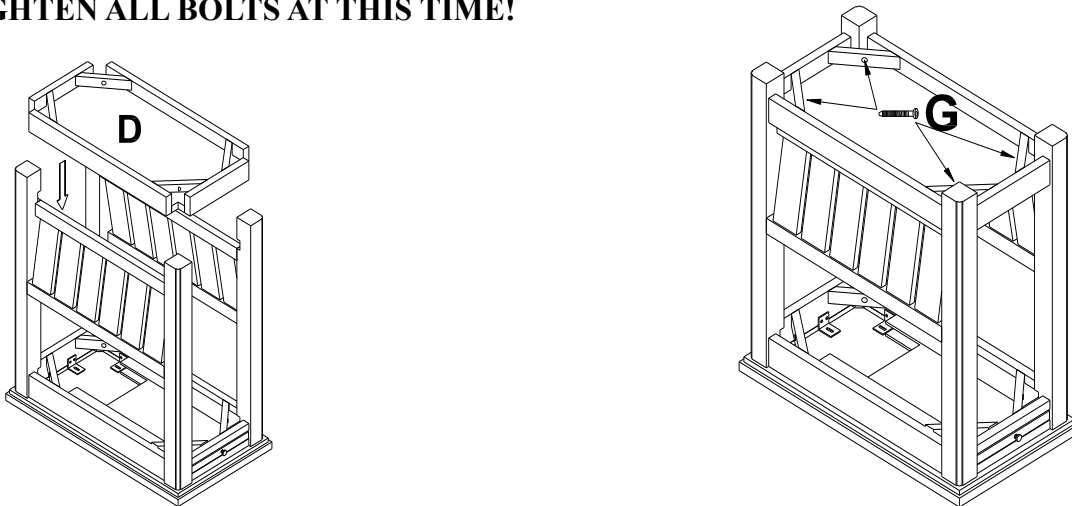
Step 3

Lay Top Assembly (A) upside down on a non abrasive surface. Attach Posts (C & B) using 2-45MM Hex Bolts (G). Insert 8 Wooden Dowels (K) in to Right & Left Side Panels (E & F). Align the dowels in L & R sides with dowel holes in post (C & B). Attach second set of Posts (C & B) using 2 45MM Hex Bolts (G). **NOTE: Do not tighten Bolts at this time.**



Step 4

Position Bottom (C) between Post (B). Attach Bottom using 4-45MM Hex Bolts (D). **Note: TIGHTEN ALL BOLTS AT THIS TIME!**



CARE

Clean with a non abrasive cloth using a mild soap. Make sure to wipe dry.
