

INSTRUCTION MANUAL

Lost accessories or parts costs will be incurred after 90 days of the date of purchase.

WARNING:

Proper use of the chair is for single person seating only. The chair is not to be used for standing purposes and will not function as a stool or step-ladder. Use on even surfaces only. Chair tested for use at weight of 600lb (270kg) per seat. Improper use of this product or failure to use as directed may result in injury. Not intended for commercial use.

IMPORTANT:

Please read all the instructions and warnings before assembling. In order to make the whole product adjust to the best, please install all the screws on the product before fully tighten, and note to put the washer to the screw before putting the screw into the screw hole.



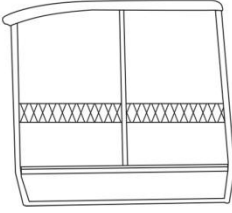
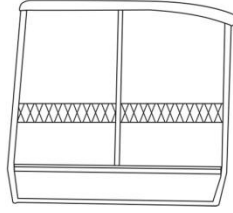
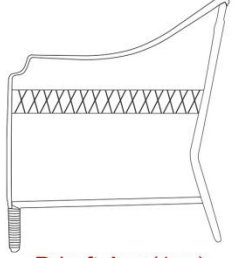
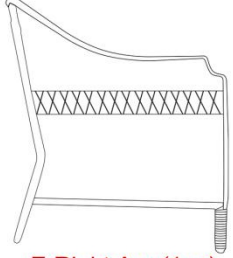
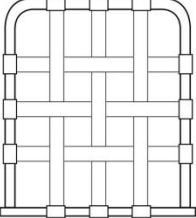
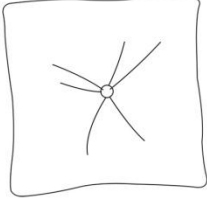
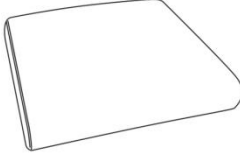
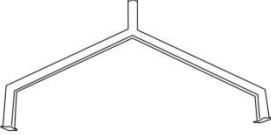



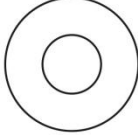


SAFETY INFORMATION:

- Keep all children and pets away from assembly area. Children and pets should be supervised when they are in the area of the product construction.
- Keep assembly area at least 6 feet from any obstruction such as a fence, garage, house, overhanging branches, laundry line or electrical wires.
- Some parts may contain sharp edges. When assembling and using this product, basic safety precautions should always be followed to reduce the risk of personal injury and damage to the product. Please read all instructions before assembly and use.
- Check all bolts for tightness before use. IMPORTANT - check and tighten bolts often to keep them secure!
- The chair is not to be used for standing purposes and will not function as a stool or step-ladder. Use on even surfaces only.
- The chair use at wight of 600lb (270kg) per seat. Improper use of this product or failure to use as directed may result in injury. Not intended for commercial use.

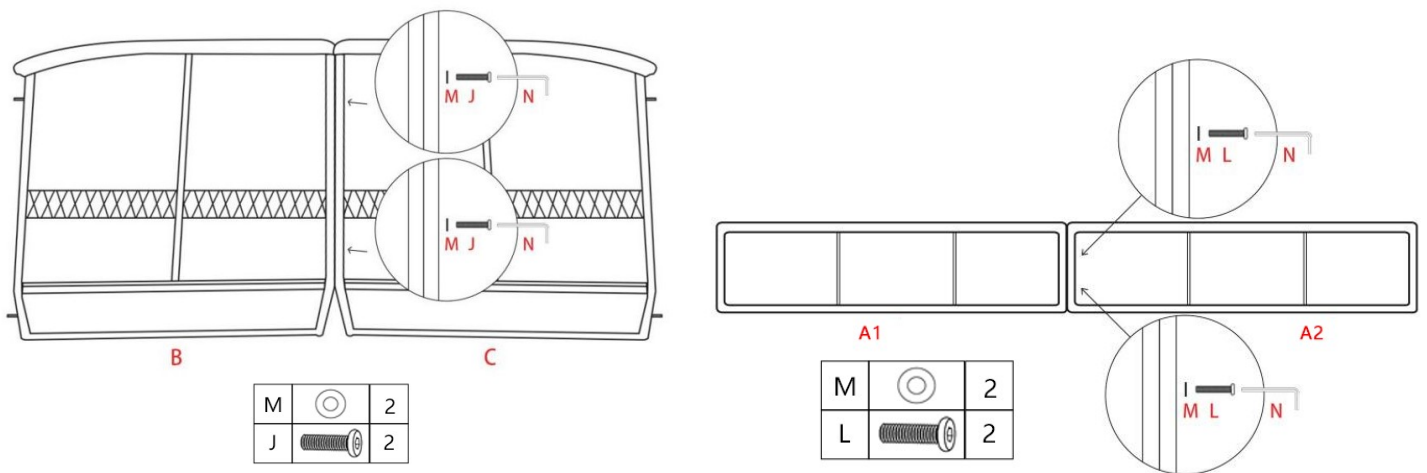
CARE & MAINTENANCE :

- STAINRESISTANT CUSHIONS CARE :KEEP THE CUSHIONS IN STORAGE IN RAINING DAY.
- SPILLS: Immediately wipe up the spill using a white damp cloth. Repeat process if necessary until stain is gone. Allow cushion to air dry.
- FABRIC CARE: Hand wash cold, non-chlorine bleach when needed, lay flat to dry. Cool iron if necessary. Do not dry clean.
- RESIN WICKER PRODUCT CARE: Before using, clean the product completely with a soft dry towel. When not in use, wipe free of any dirt or loose objects, wash with a mild solution of soap and water, rinse thoroughly and dry completely. Do not use strong detergent or abrasive cleaners. Over time nuts and bolts can loosen. Occasionally, check nuts and bolts on all chairs and tables, re-tighten if necessary.
- Warranty period: 180 days.

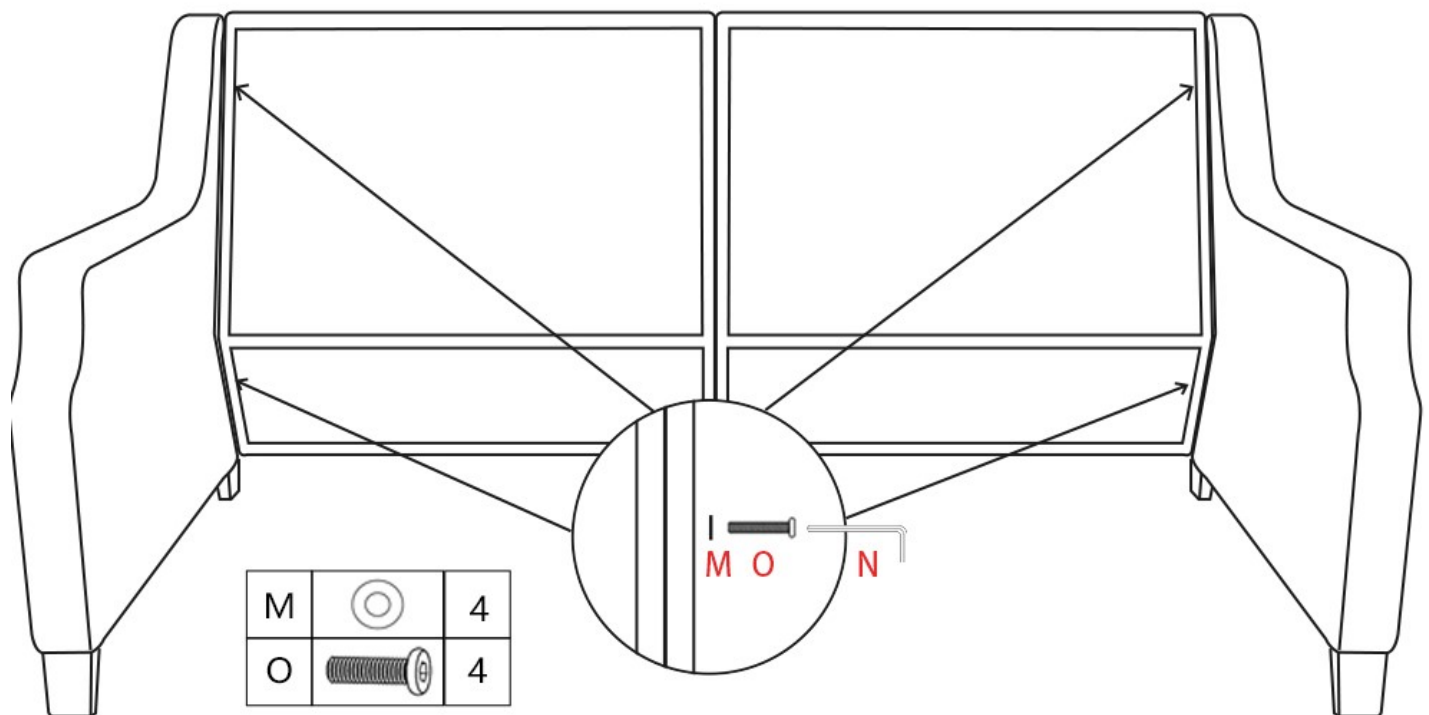
Assembly Instructions

A1	A2	B	C	D	E
 <p>Right front panel</p>	 <p>Left front panel</p>	 <p>B Left Back Panel(1pc)</p>	 <p>C Right Back Panel(1pc)</p>	 <p>D Left Arm(1pc)</p>	 <p>E Right Arm(1pc)</p>
F	G	H	I	J	
 <p>F Seat Panel(3pcs)</p>	 <p>G Back Cushion(3pcs)</p>	 <p>H Seat Cushion(3pcs)</p>	 <p>I Support Leg(1pc)</p>	 <p>J M6*35 Bolt(18pcs)</p>	
K	L	M	N	O	
 <p>K M6*20 Bolt(4pcs)</p>	 <p>L M6*25 Bolt(2pcs)</p>	 <p>M M6 Washer(28pcs)</p>	 <p>N Allen Wrench(1pc)</p>	 <p>O M6*40 Bolt(4pcs)</p>	

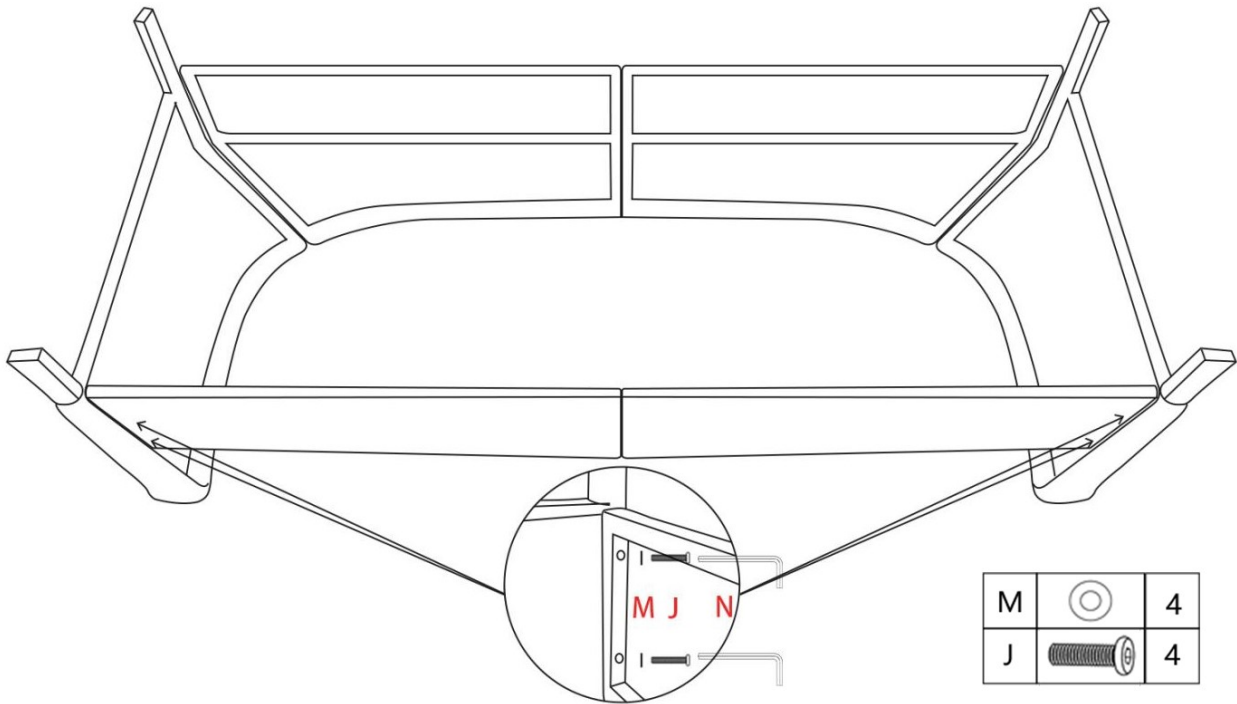
1. Attach two chair backs (B&C) to each other and two front aprons (A1&A2) to each other with 4 washers (M), and 4 screws (J&L) by using allen wrench (N). Do not tighten all screws now.



2. Secure chair arms (D&E) to assembled chair back (B&C) with 4 washers (M) and 4 screws (O) by using allen wrench (N). Do not tighten all screws now.

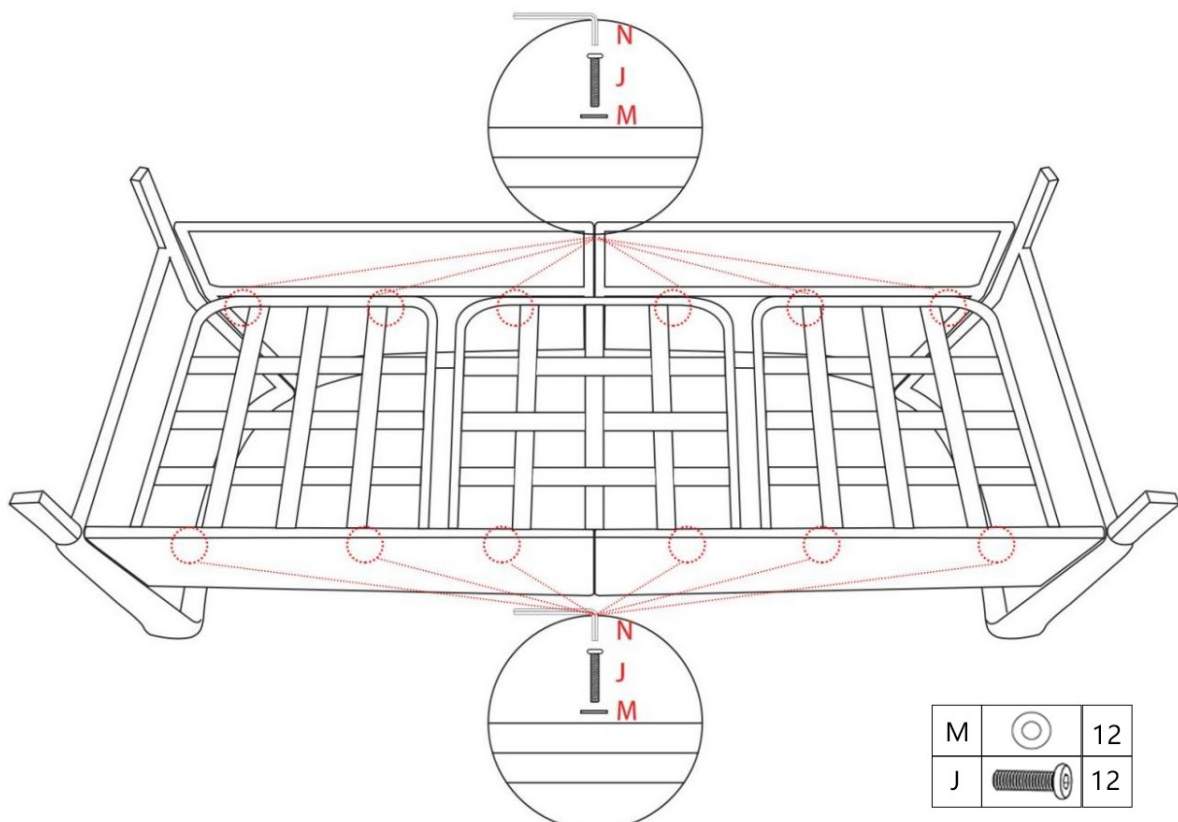


3. Secure assembled front apron (A1&A2) to chair arms (D&E) with 4 washers (M) and 4 screws (J) by using allen wrench (N). Do not tighten all screws now.



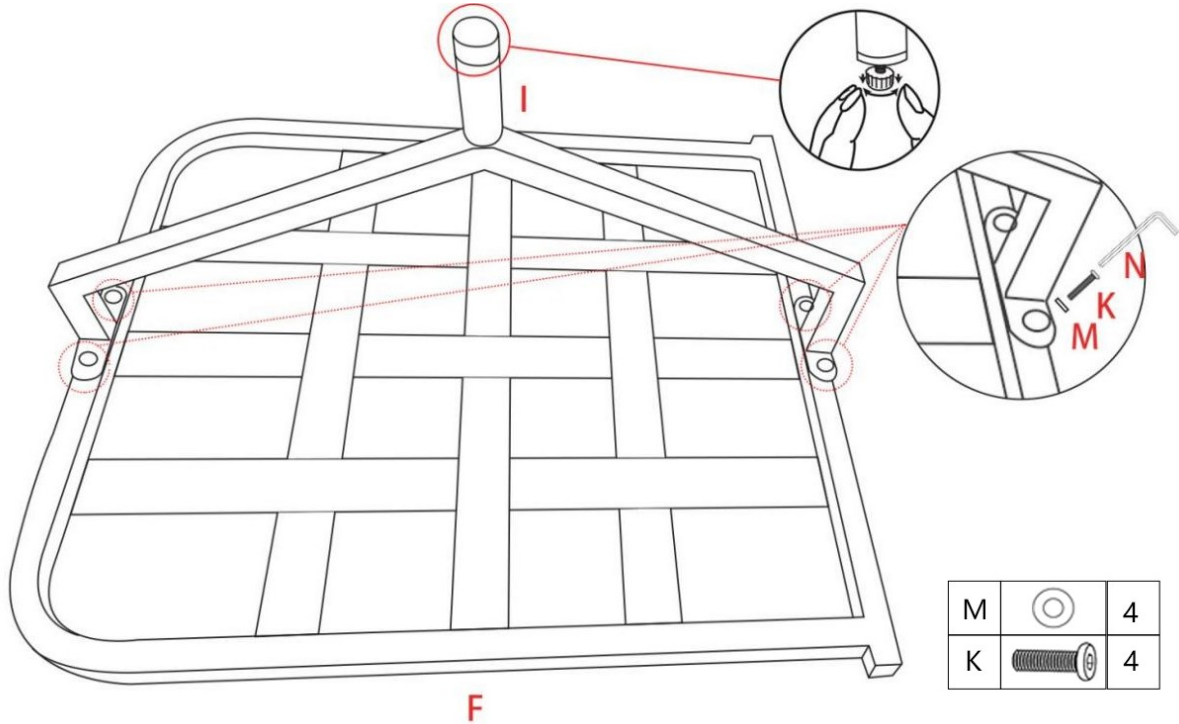
4. Secure seat panel (F) to assembled chair back (B&C) and assembled front apron (A) with 12 washers (M) and 12 screws (J) by using allen wrench (N). Do not tighten all screws now.

Note: Seat panel with arc shape should face back of seat.



5. Secure support leg (I) to seat panel (F) with 4 washers (M) and 4 screws (K) by using allen wrench (N). Rotate the knob into support leg (I) and **fully tighten all screws now**.

Note: Short edge of support leg should be assembled onto arc side of seat panel.



6. Put cushion (G&H) onto sofa and it is ready to use now.

