



SPEC SHEET

KoolMore 22 in. Curved Glass Countertop Display Warmer, 1.5 cu. ft..

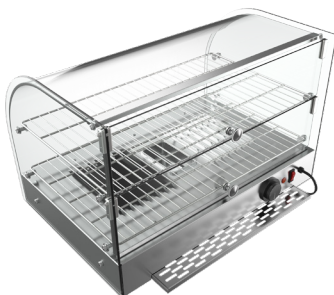
SKU: HDC-1.5C

FEATURES

- Eye Catching
- Consistent Temperature
- Self Service
- Superior Construction
- Temperature Control
- Four-sided double tempered glass for durability and insulation



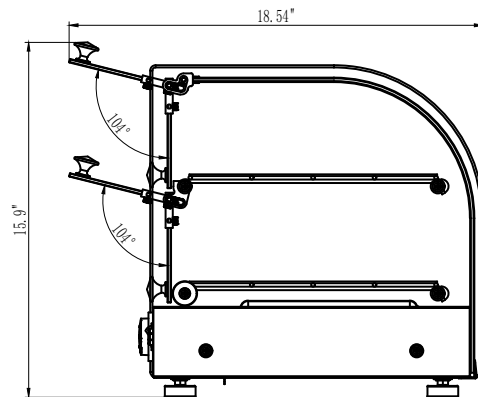
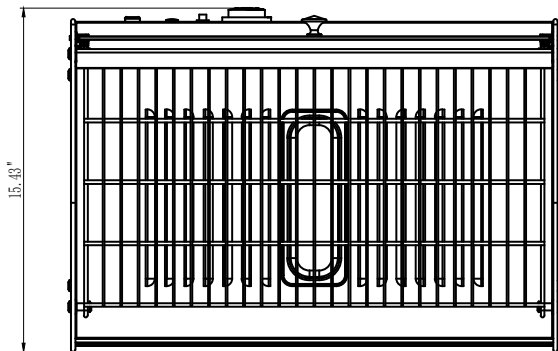
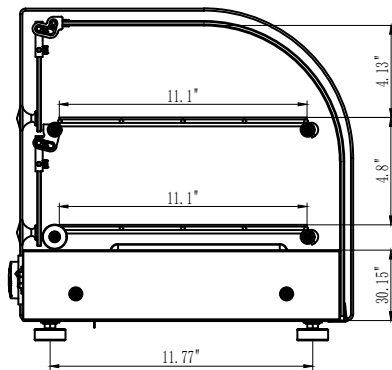
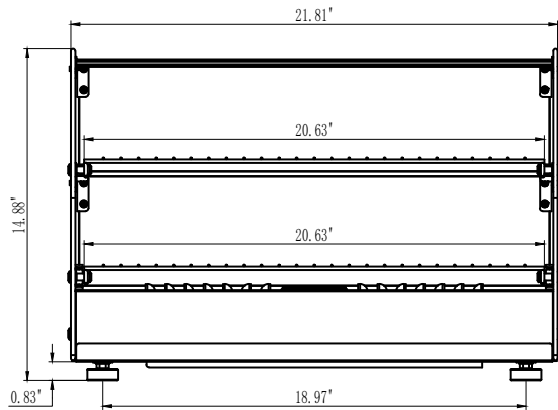
CLOSE UP IMAGES



TECHNICAL SPECS

Category	Specification
Physical Dimensions	
Product Weight	46 lbs 4.8 oz
Product Dimensions	21.8 in x 14.8 in x 14.8 in
Capacity	
Cubic Feet	1.5 cu. ft.

Plan View



CERTIFICATIONS



706 Eastern Parkway STE 1G, Brooklyn NY 11213
718-576-6342
info@koolmore.com