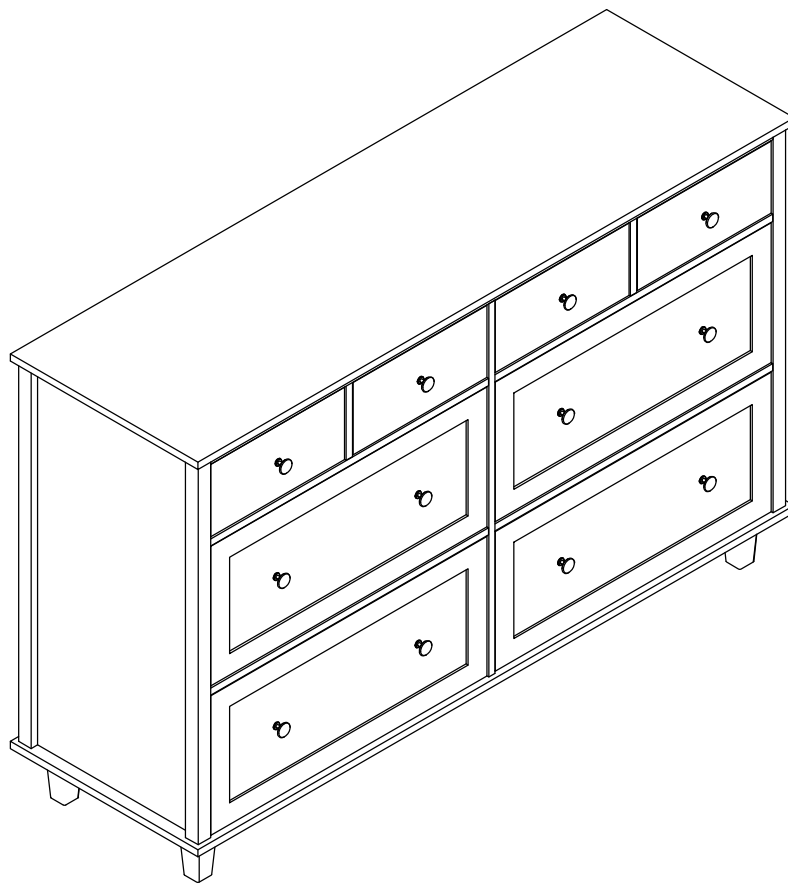
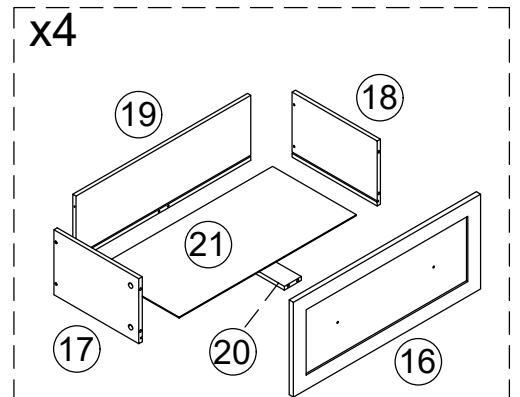
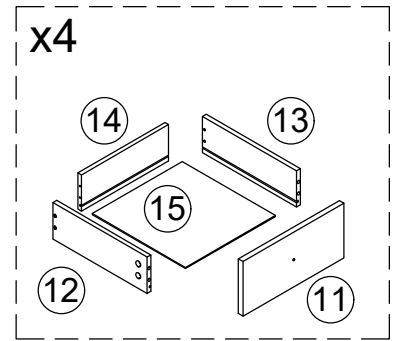
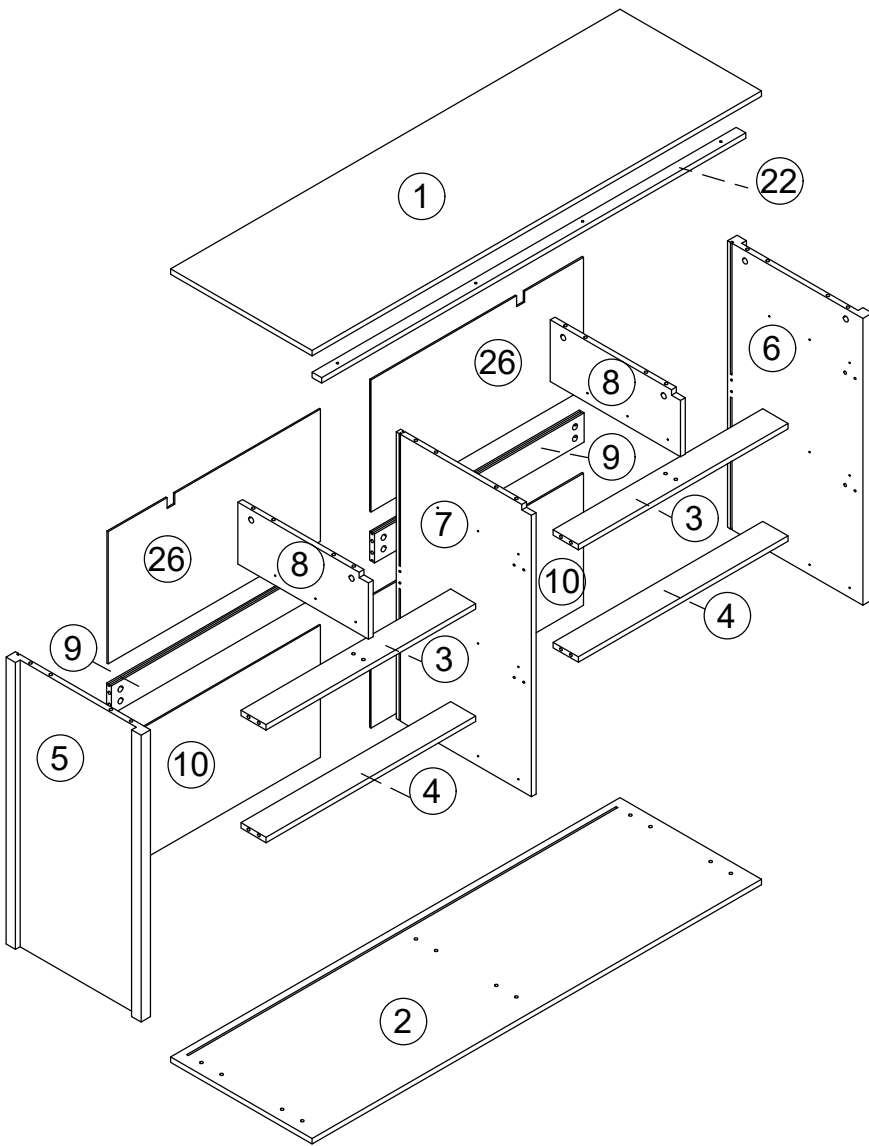


ASSEMBLY INSTRUCTION

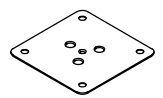




23x4



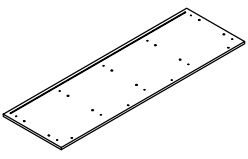
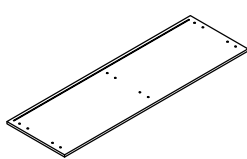
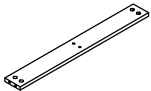
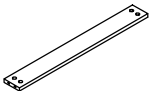
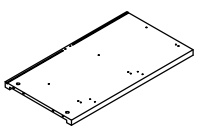
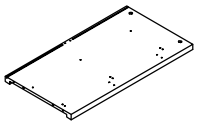
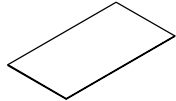
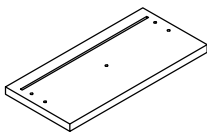
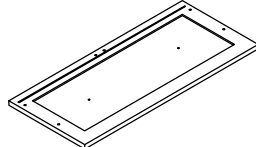
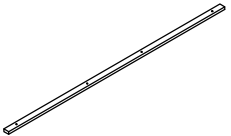
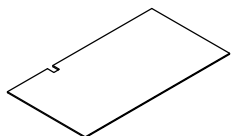
24x5



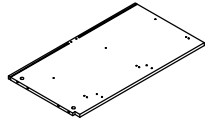
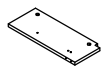

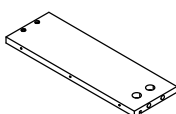
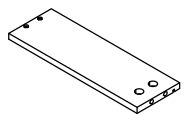
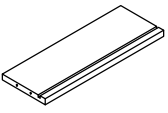
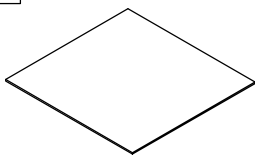
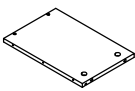
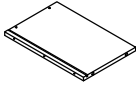
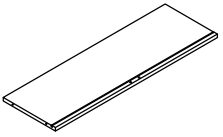
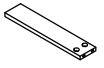



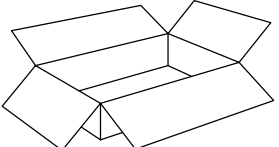
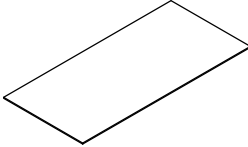
25



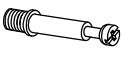

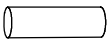


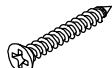



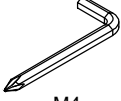
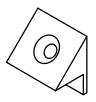
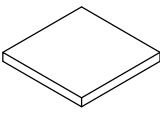

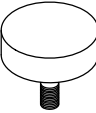

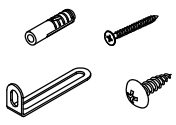
Parts List

<p>1</p>  <p>1pc</p>	<p>2</p>  <p>1pc</p>	<p>3</p>  <p>2pcs</p>	<p>4</p>  <p>2pcs</p>	<p>5</p>  <p>1pc</p>
<p>6</p>  <p>1pc</p>	<p>10</p>  <p>2pcs</p>	<p>11</p>  <p>4pcs</p>	<p>16</p>  <p>4pcs</p>	<p>22</p>  <p>1pc</p>
<p>26</p>  <p>2pcs</p>				

Parts List

<p>7</p>  <p>1pc</p>	<p>8</p>  <p>2pcs</p>	<p>9</p>  <p>2pcs</p>	<p>12</p>  <p>4pcs</p>	<p>13</p>  <p>4pcs</p>
<p>14</p>  <p>4pcs</p>	<p>15</p>  <p>4pcs</p>	<p>17</p>  <p>4pcs</p>	<p>18</p>  <p>4pcs</p>	<p>19</p>  <p>4pcs</p>
<p>20</p>  <p>4pcs</p>	<p>23</p>  <p>4pcs</p>	<p>24</p>  <p>5pcs</p>	<p>25</p>  <p>1pc</p>	 <p>Hardware</p>
<p>21</p>  <p>4pcs</p>				

Hardware List

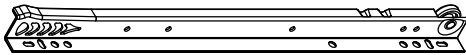
<p>A</p>  <p>Φ6*35mm 74pcs</p>	<p>B</p>  <p>Φ15*10mm 74pcs</p>	<p>C</p>  <p>Φ8*30mm 16pcs</p>	<p>D</p>  <p>Φ7*38mm 10pcs</p>	<p>E</p>  <p>Ø3.5x14mm 140pcs</p>
<p>F</p>  <p>Ø4*35mm 40pcs</p>	<p>G</p>  <p>12pcs</p>	<p>H</p>  <p>M4*22mm 4pcs</p>	<p>I</p>  <p>M4*8mm 8pcs</p>	<p>J</p>  <p>M4 1pc</p>
<p>K</p>  <p>24pcs</p>	<p>L</p>  <p>4pcs</p>	<p>M</p>  <p>Φ4*20mm 15pcs</p>	<p>N</p>  <p>1pc</p>	<p>O</p>  <p>M6*20mm 4pcs</p>
<p>P</p>  <p>2pcs</p>				



CL
350MM
x 8



CR
350MM
x 8





DL
350MM
x 8




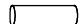
DR
350MM
x 8


STEP 1

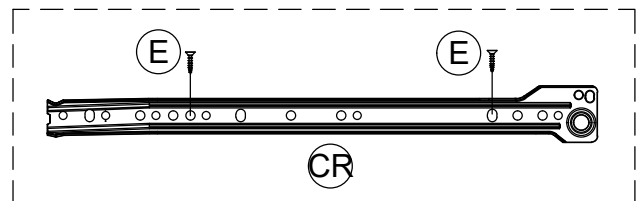
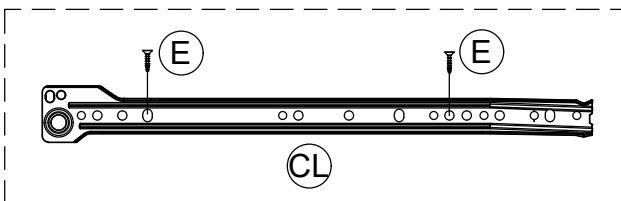
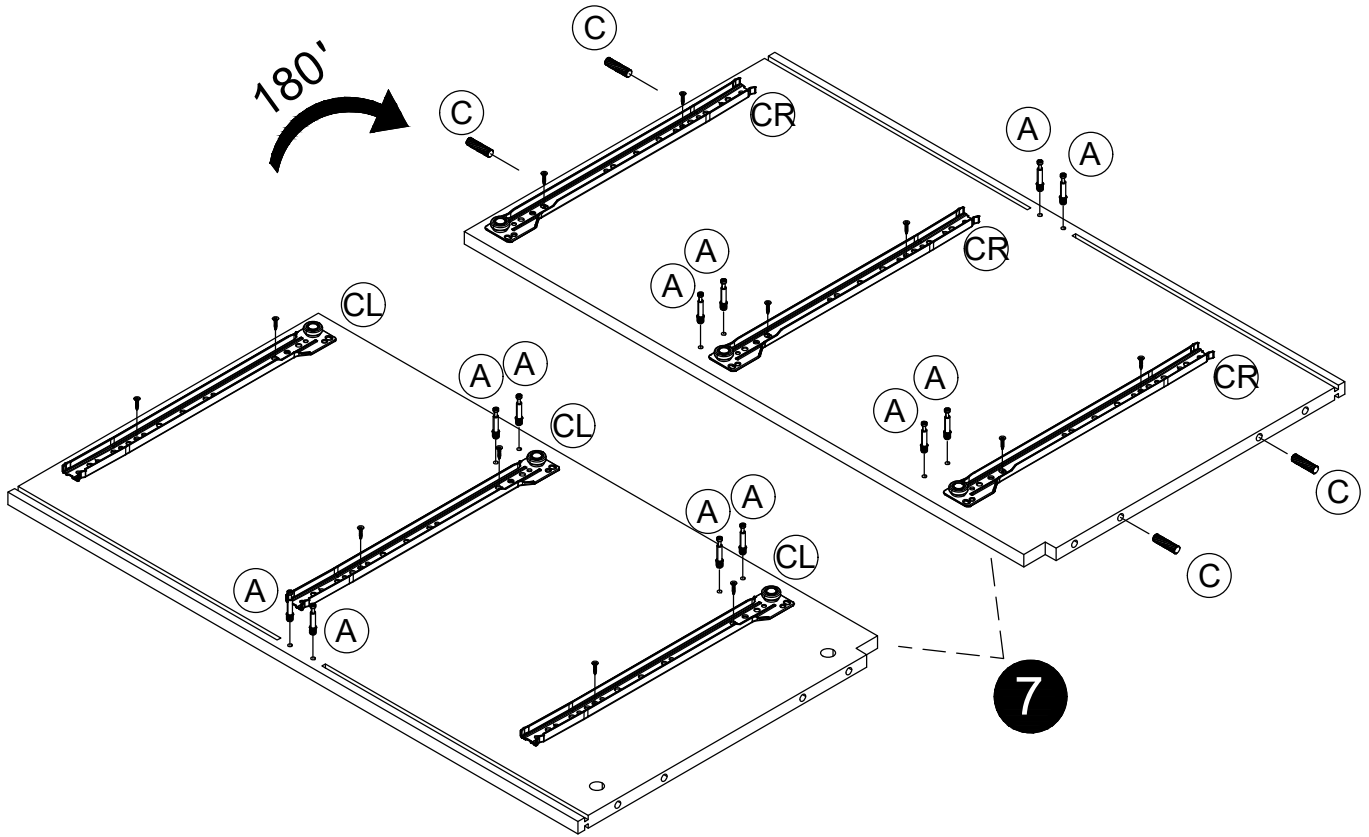
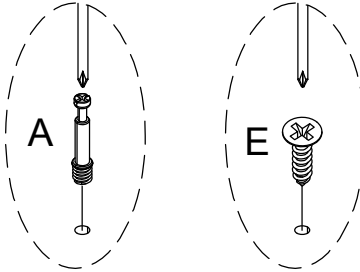
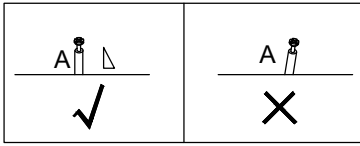
E

Φ3.5*14mm
12PCS

A

Φ6*35mm
12PCS


CL

350mm
3PCS


C

Φ8*30mm
4PCS


CR

350mm
3PCS





STEP 2

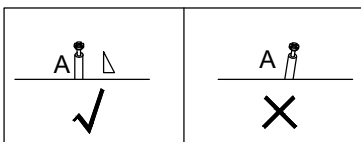
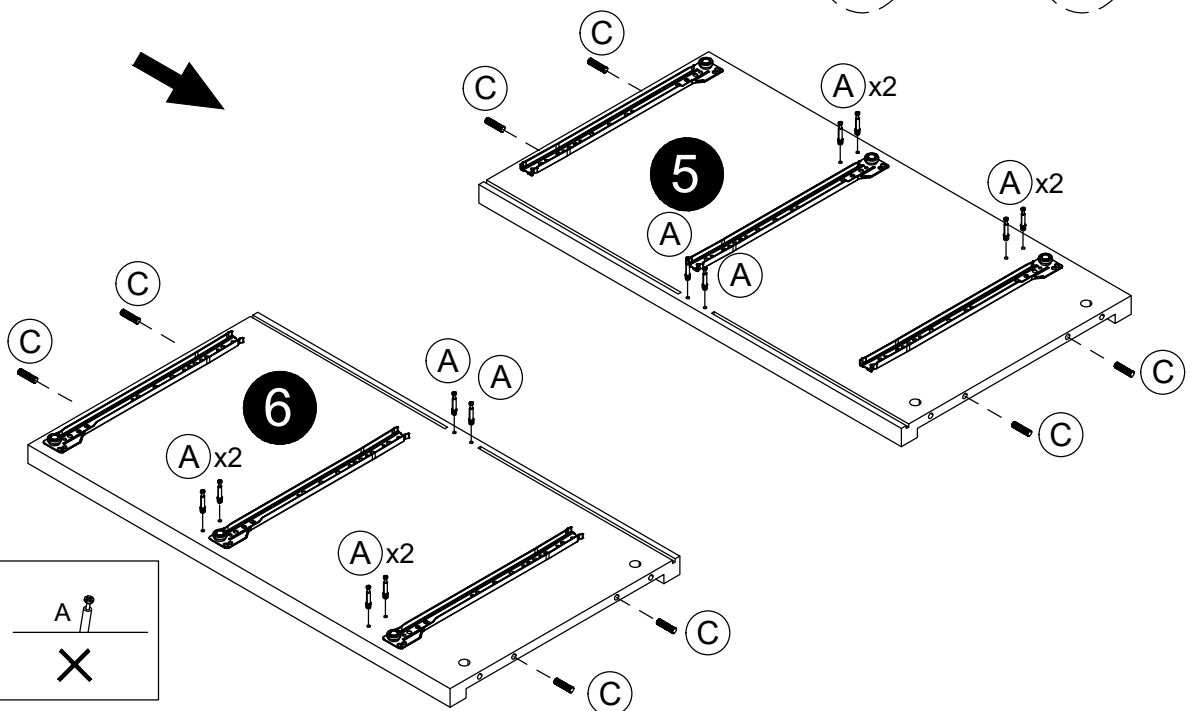
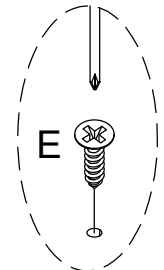
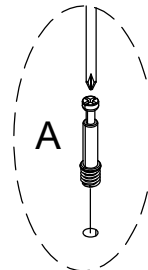
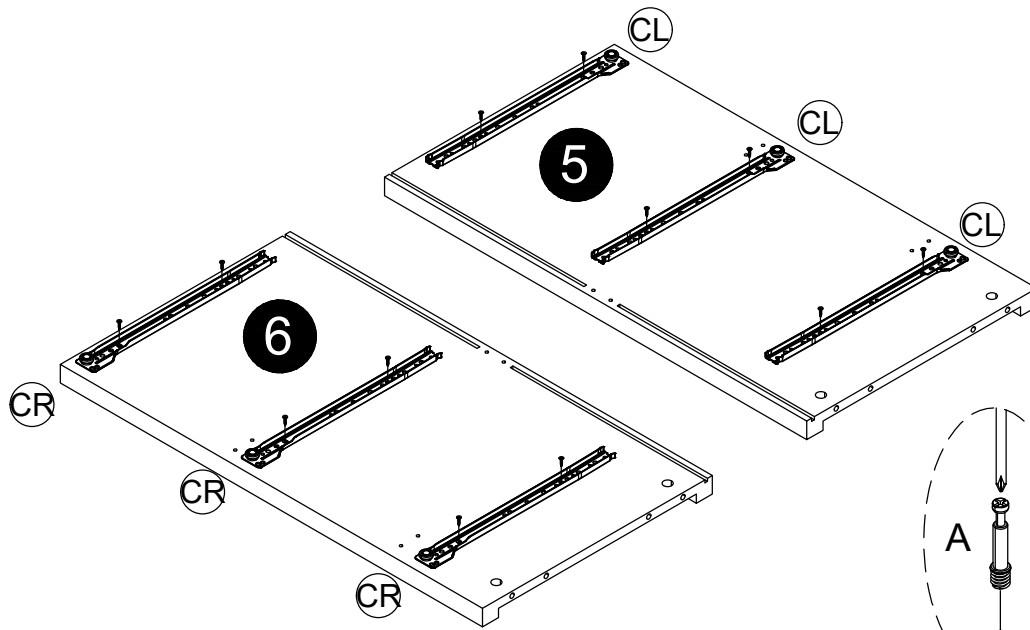
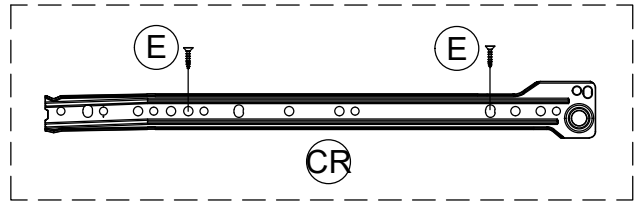
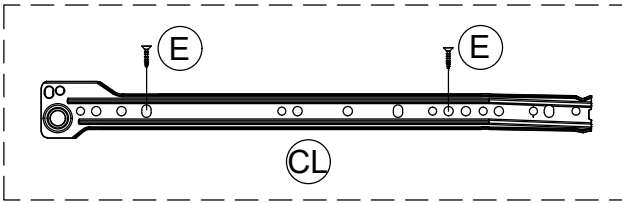
E

Φ3.5*14mm
12PCS

A

Φ6*35mm
12PCS

CL

350mm
3PCS

C

Φ8*30mm
8PCS

CR

350mm
3PCS



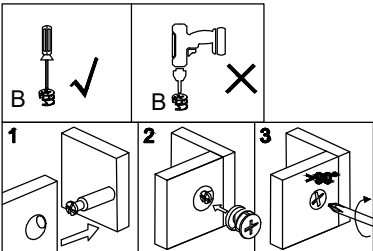
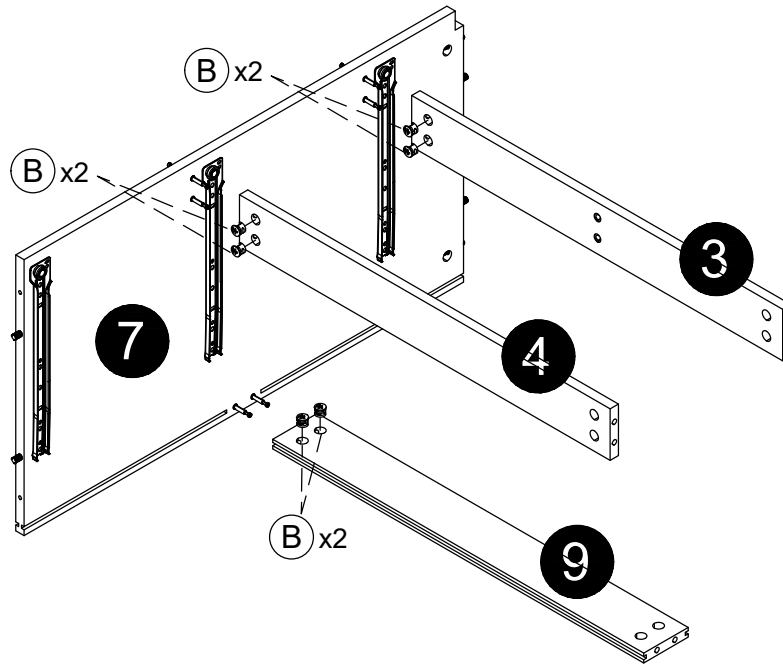
STEP 3

B



Φ15*10mm

6PCS



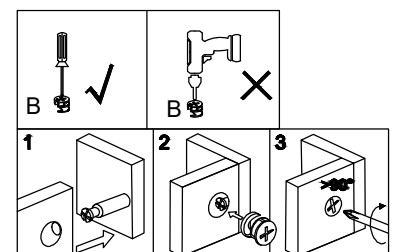
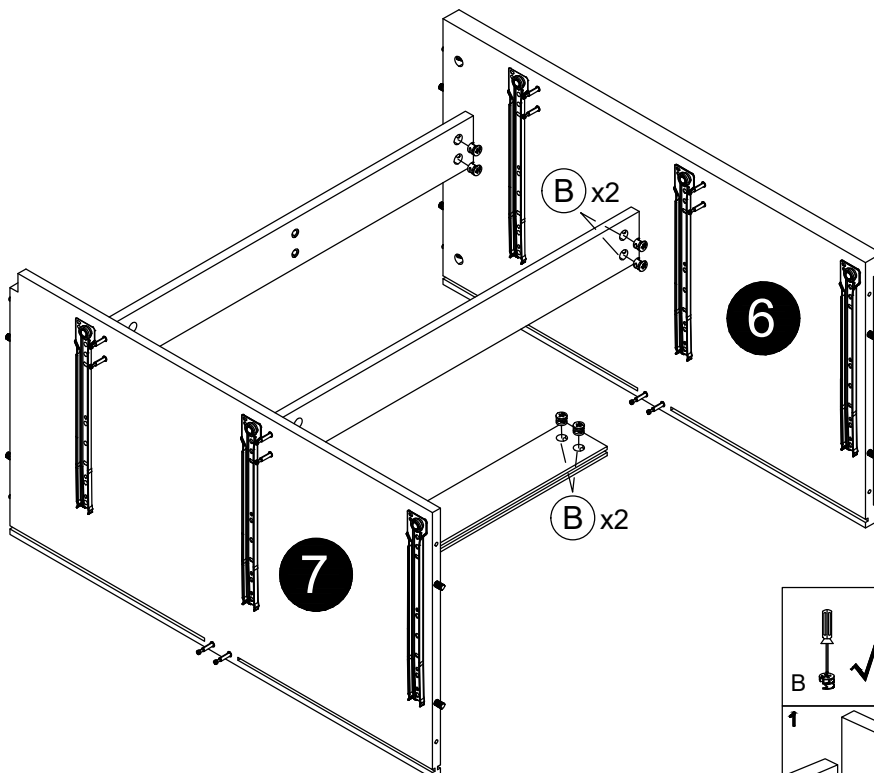
STEP 4

B



Φ15*10mm

6PCS



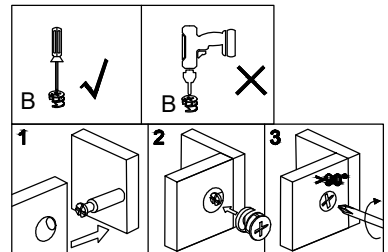
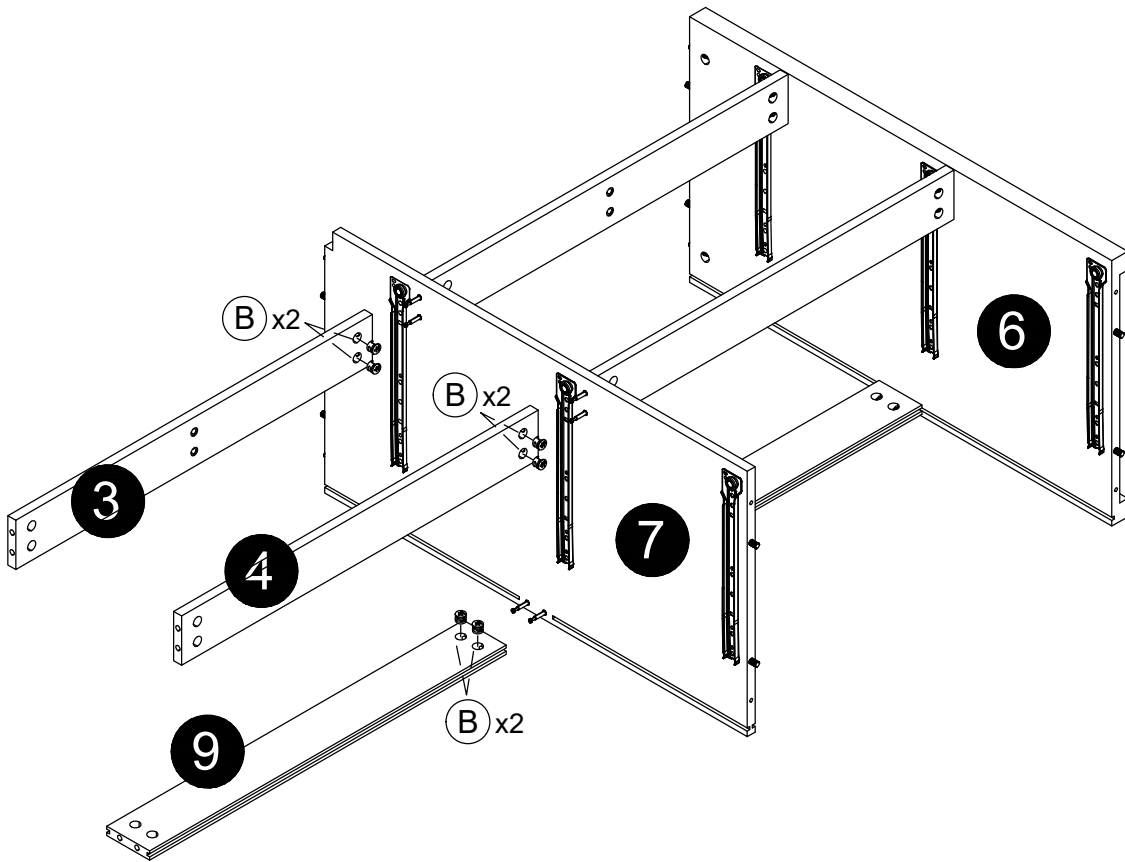
STEP 5

B



Φ15*10mm

6PCS



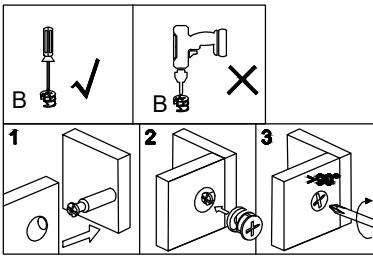
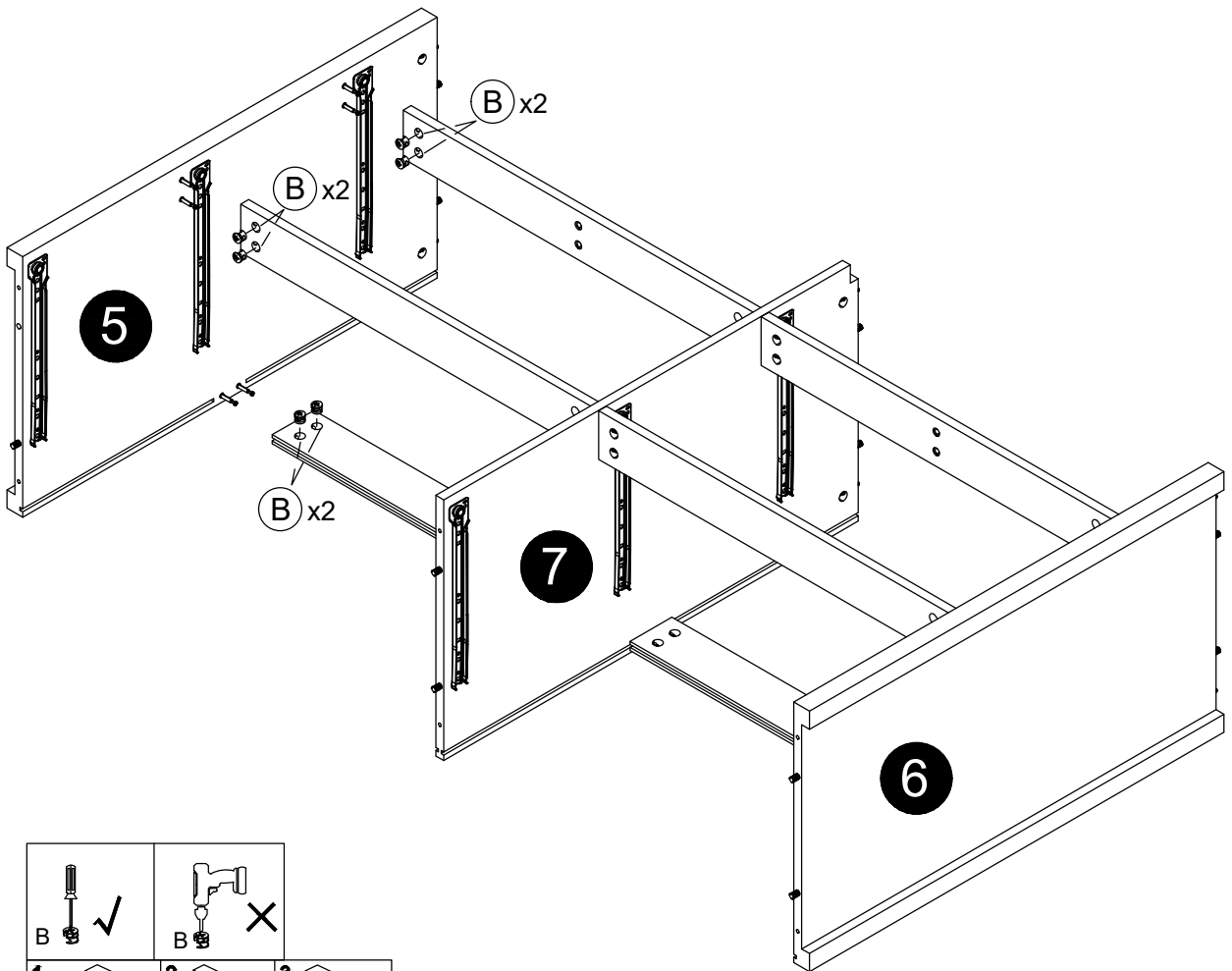
STEP 6

B



Φ15*10mm

6PCS



STEP 7

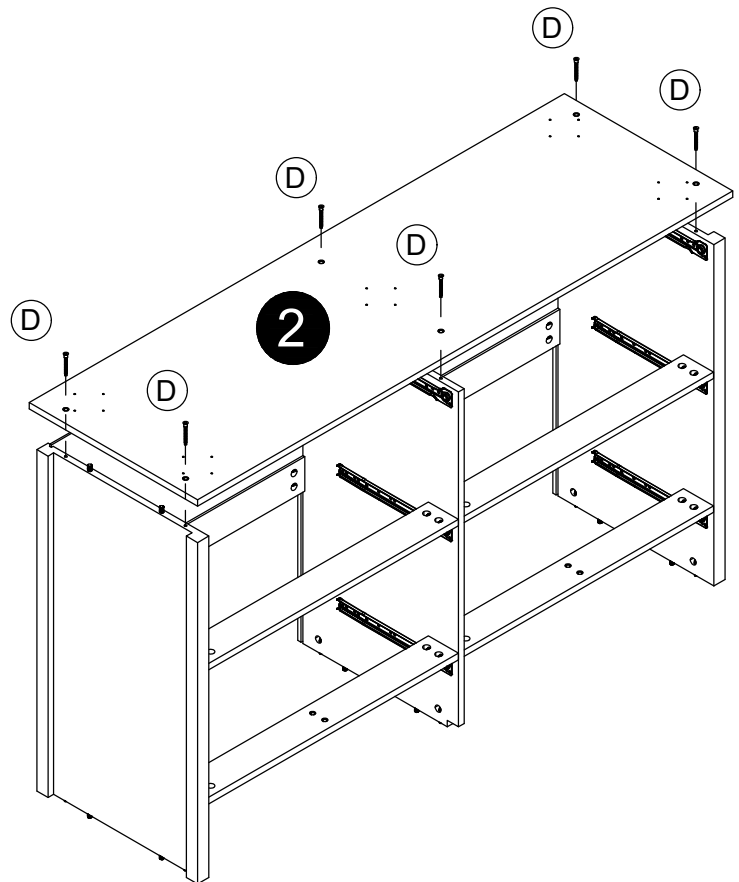
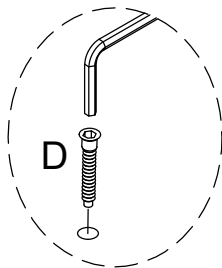
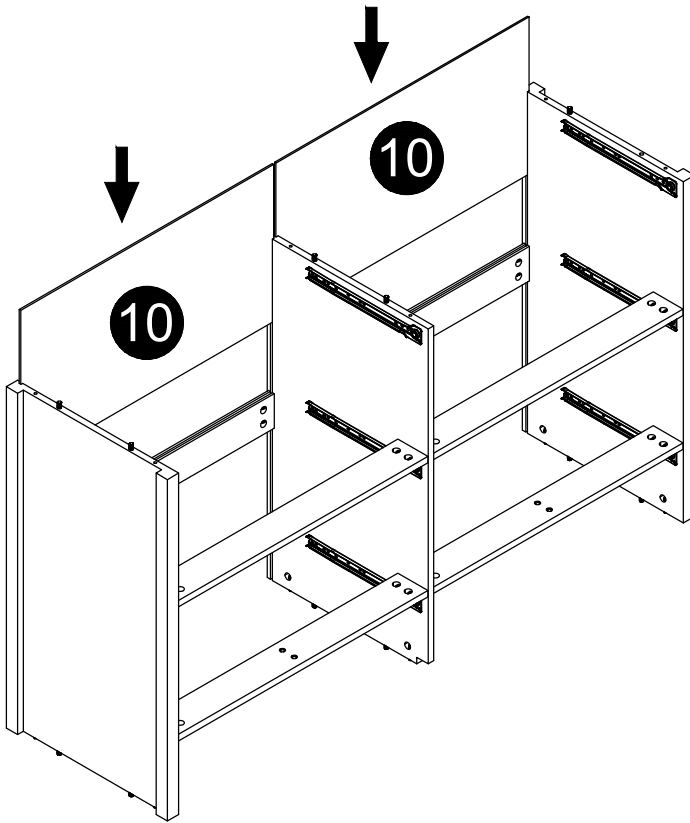
D




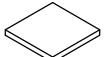


Φ7*38mm

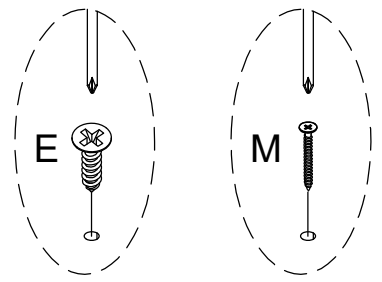
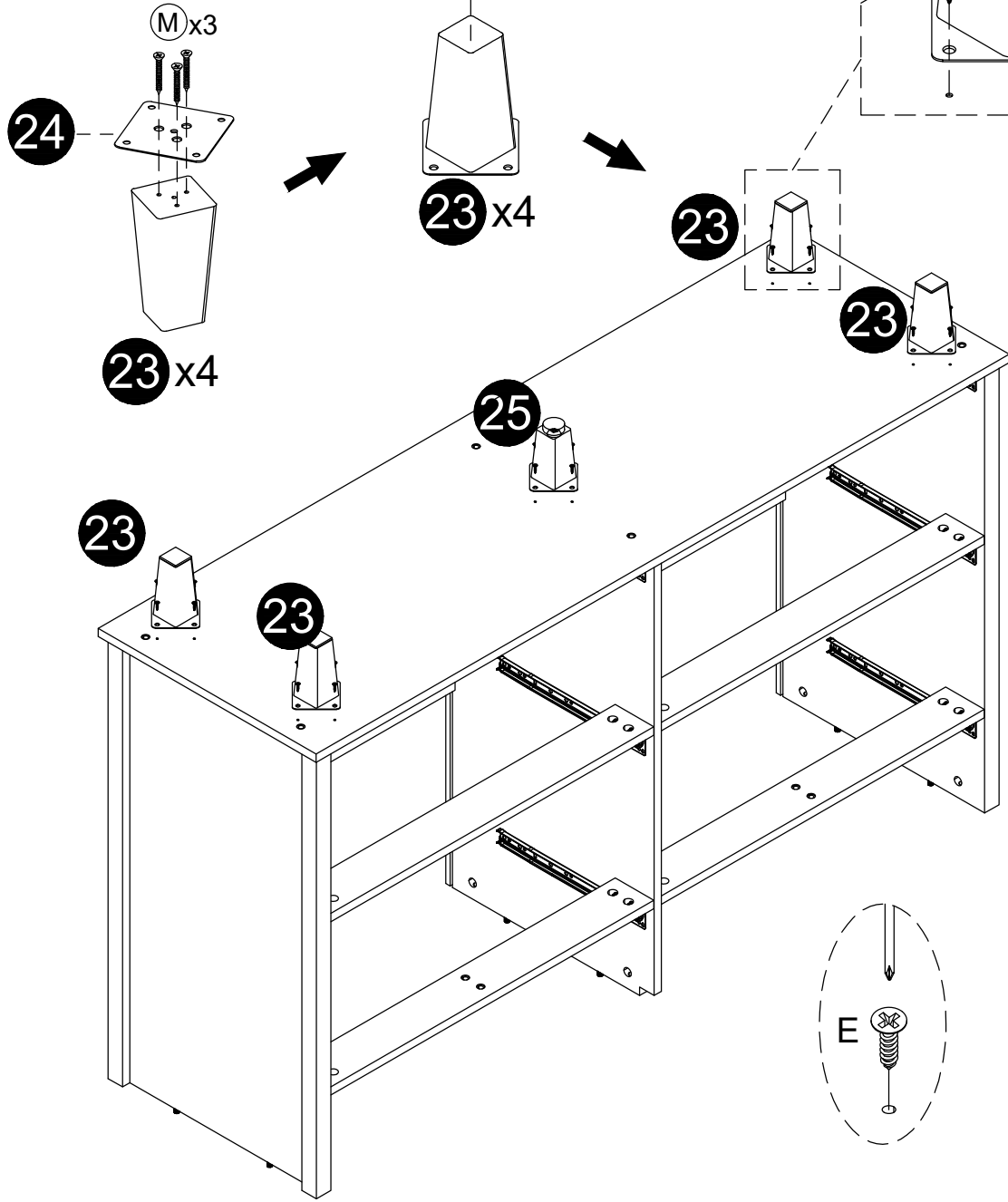
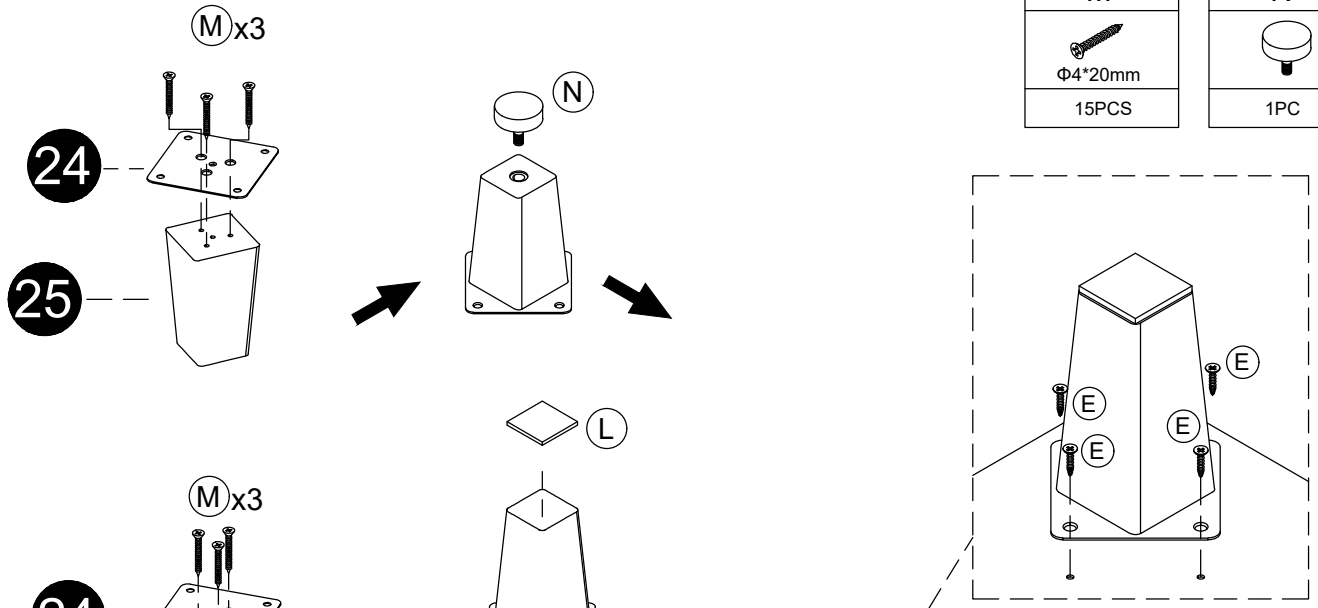
6PCS

J



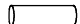



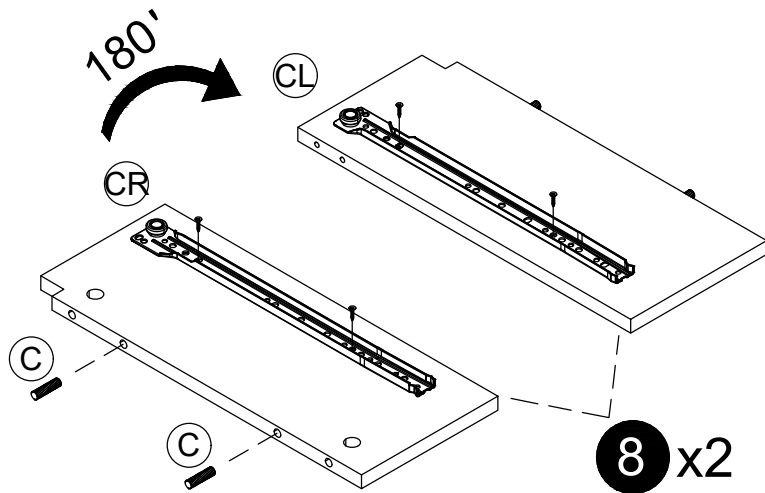
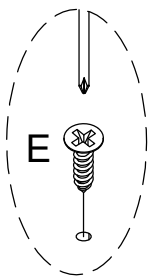
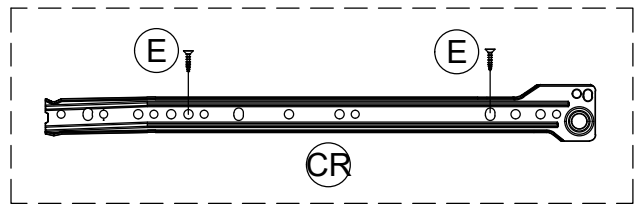
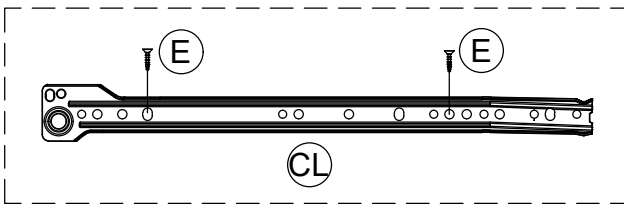
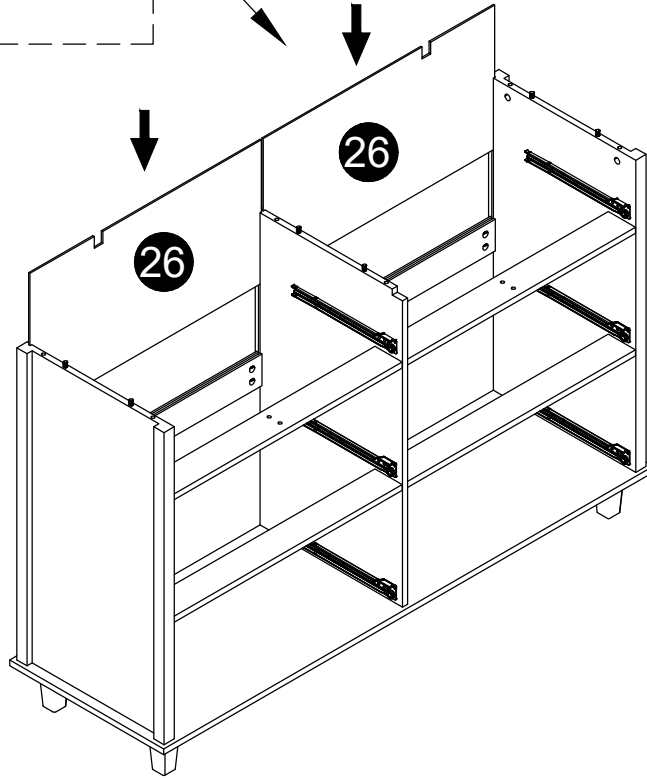
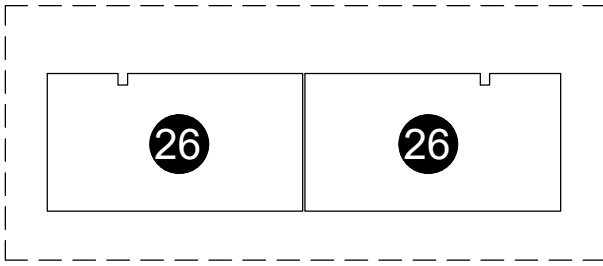
STEP 8

E	L
 Φ3.5*14mm 20PCS	 4PCS
M	N
 Φ4*20mm 15PCS	 1PC





STEP 9

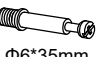
E	CL
	
Φ3.5*14mm	350mm
8PCS	2PCS
C	CR
	
Φ8*30mm	350mm
4PCS	2PCS





STEP 10

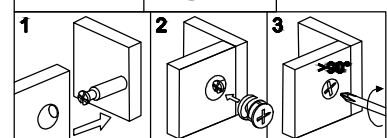
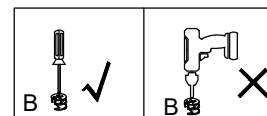
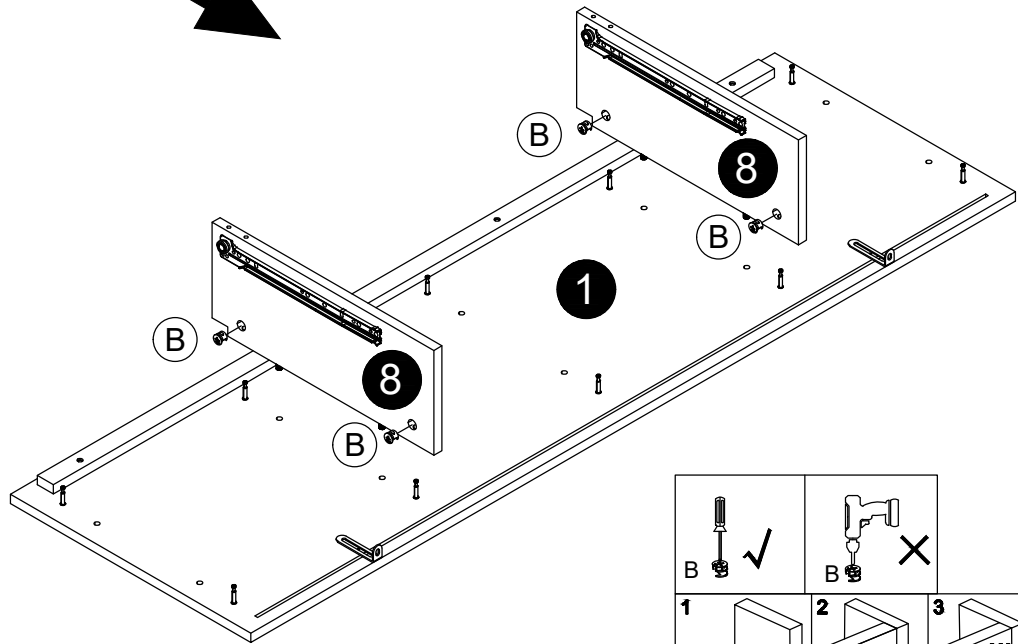
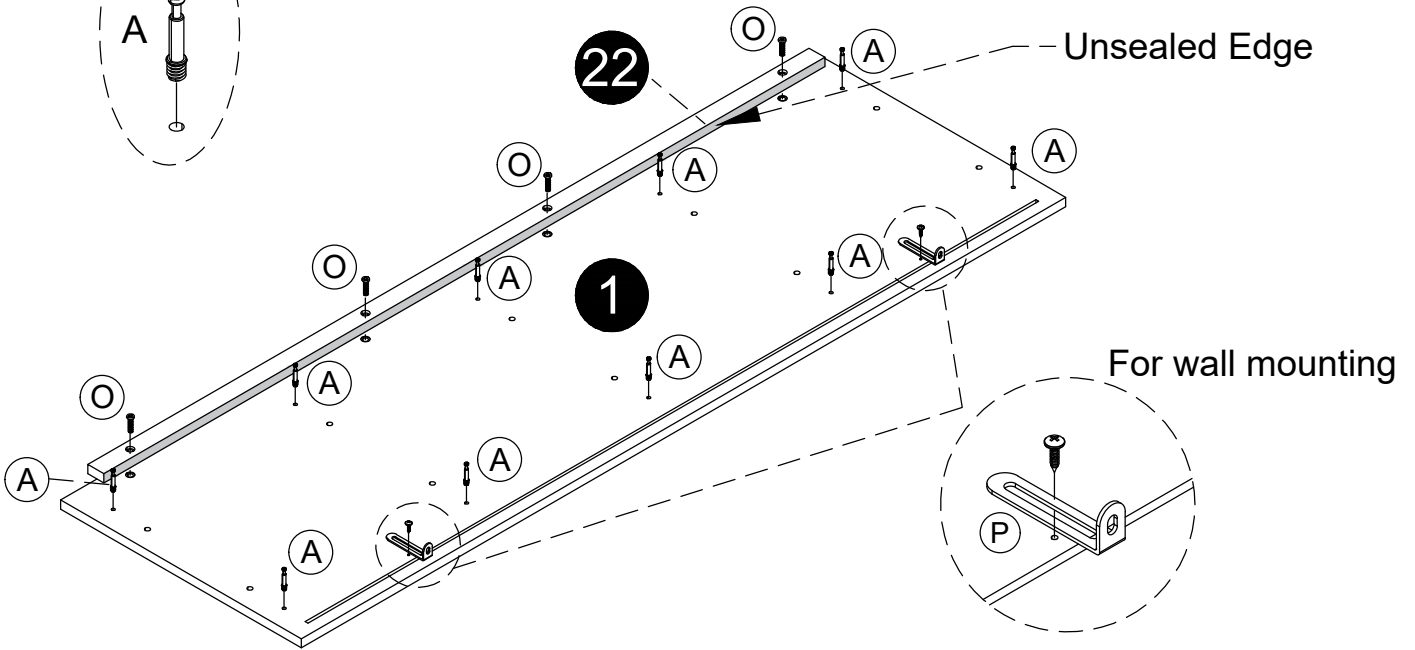
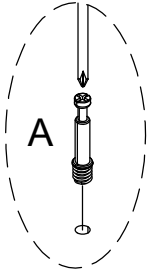
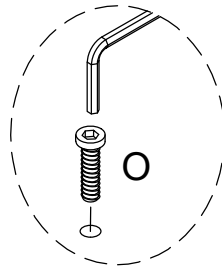
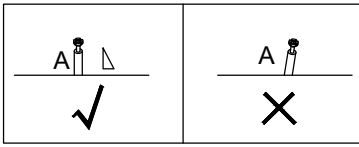
J


O

M6*20mm 4PCS


A

Φ6*35mm 10PCS


P

2PCS


B

Φ15*10mm 4PCS

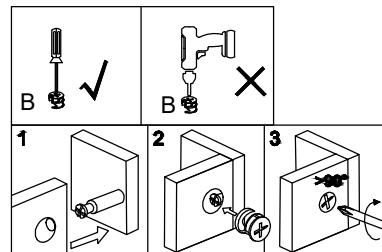
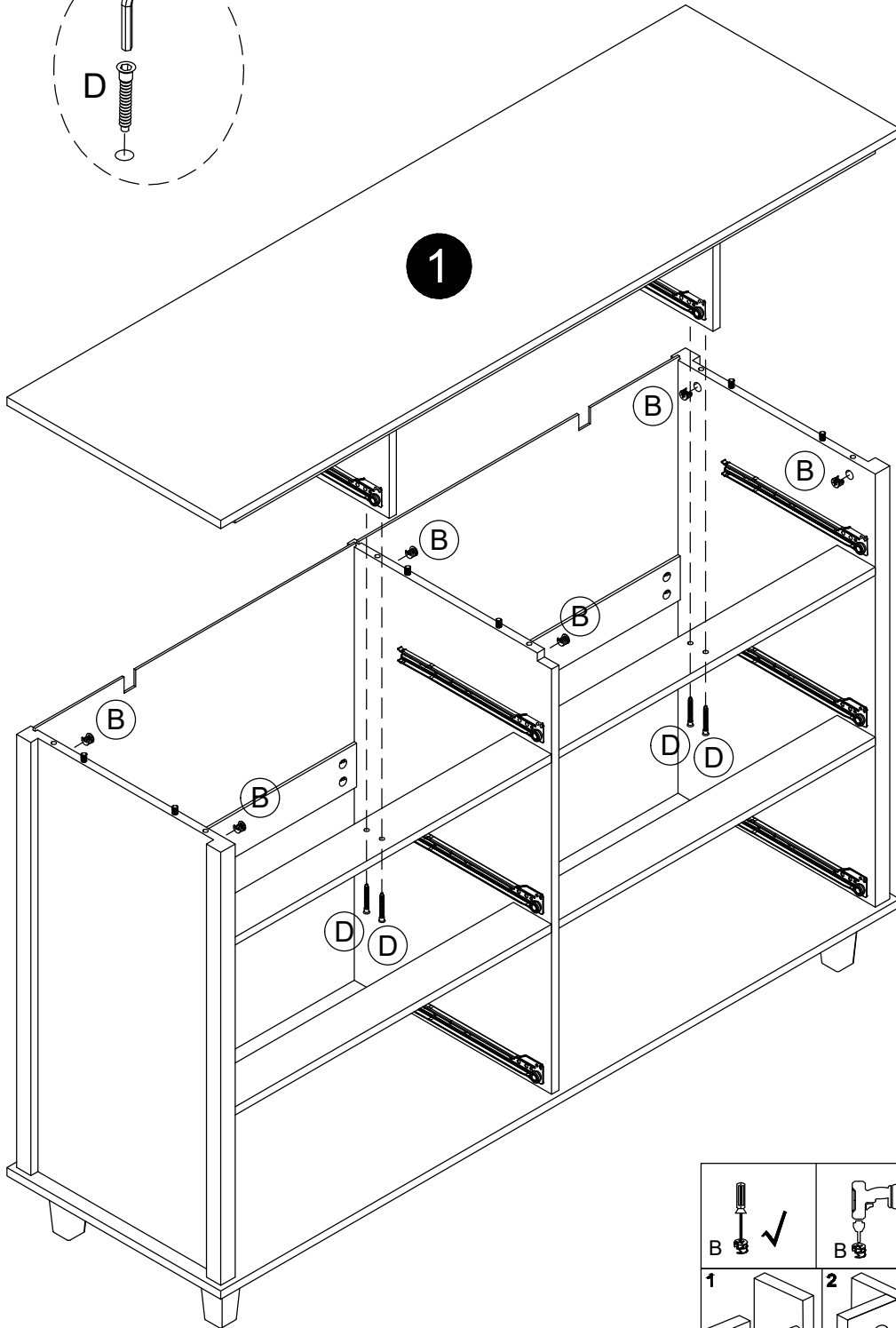
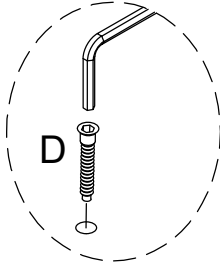


STEP 11

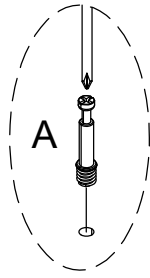
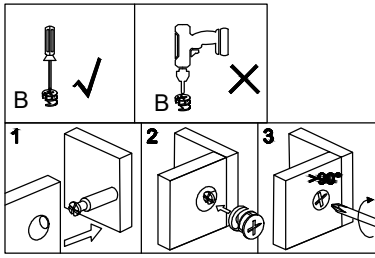
J


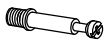

B

Φ15*10mm
6PCS

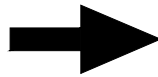
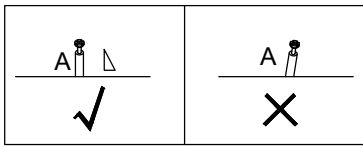
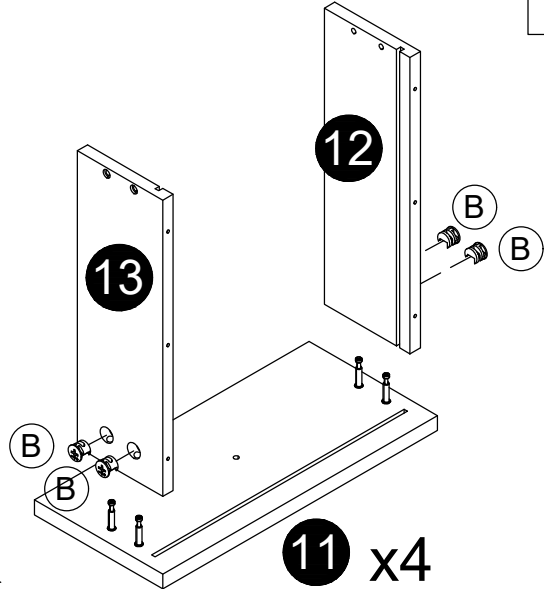
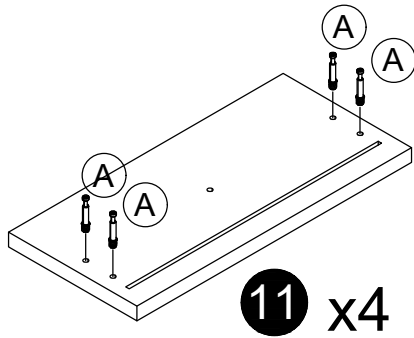
D

Φ7*38mm
4PCS




STEP 12

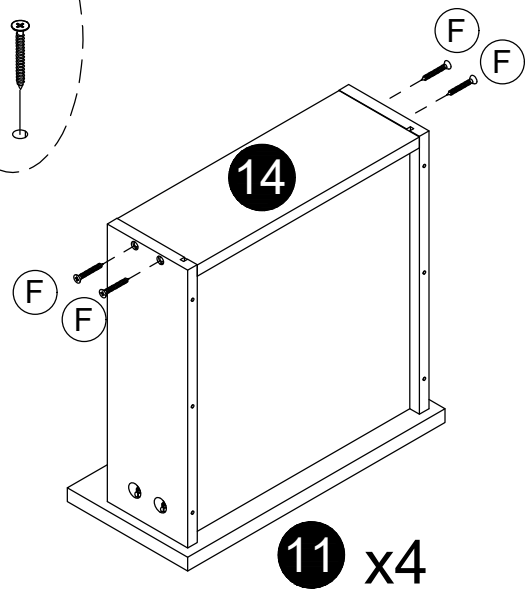
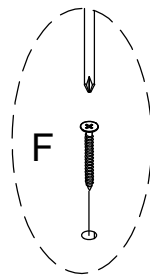
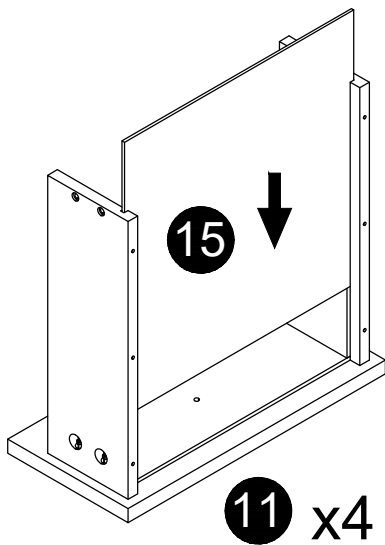


A

Φ6*35mm
16PCS
B

Φ15*10mm
16PCS





STEP 13


F

Φ4*35mm
16PCS





STEP 14

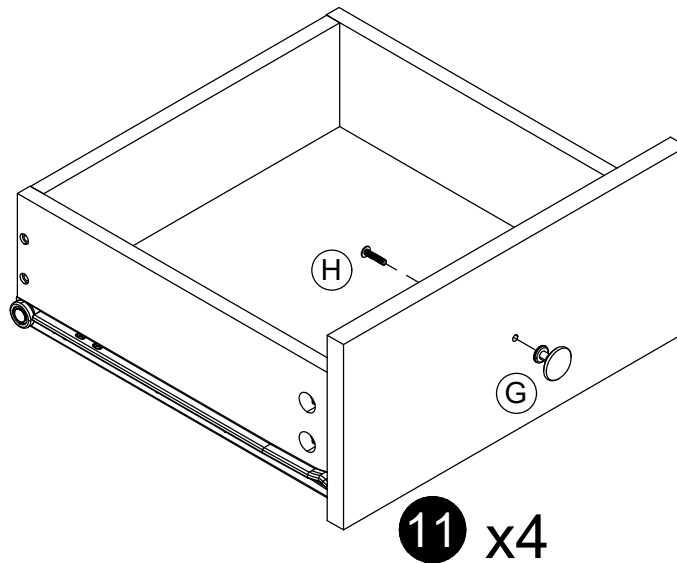
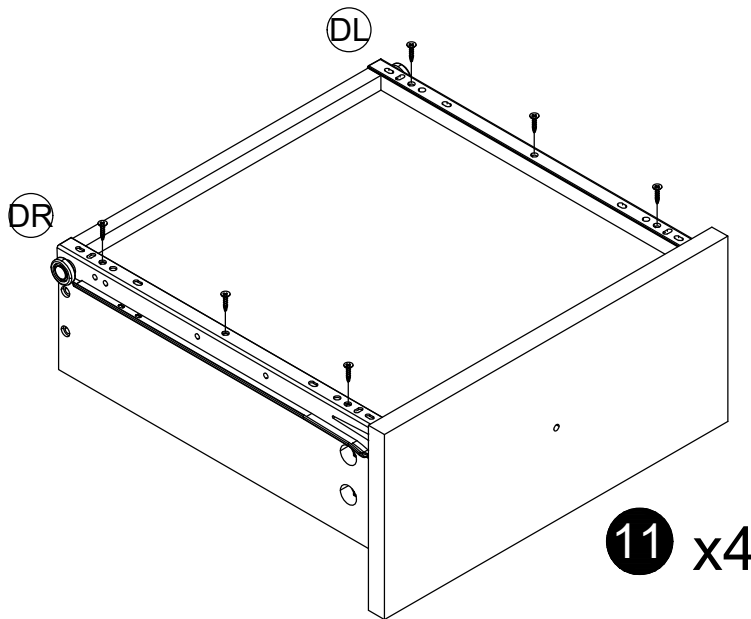
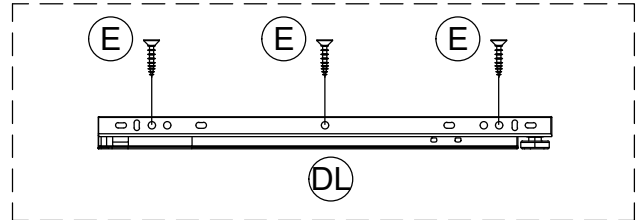
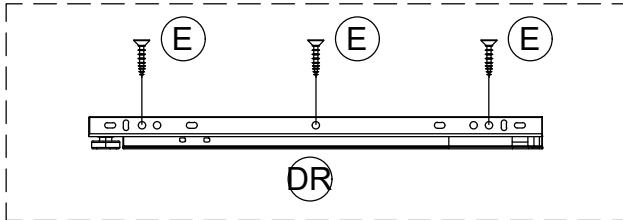
E
 Φ3.5*14mm
24PCS

G

4PCS

DL

350mm
4PCS

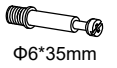
H
 M4*22mm
4PCS

DR

350mm
4PCS



STEP 15

A



Φ6*35mm

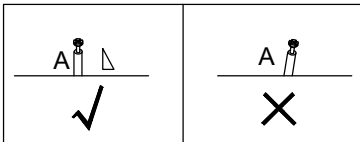
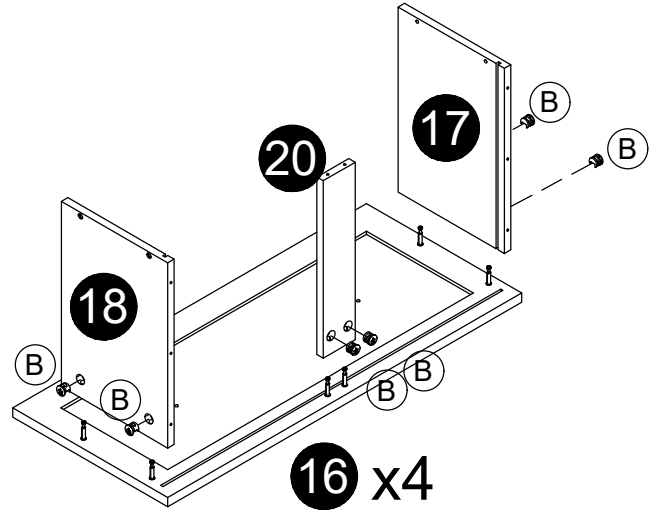
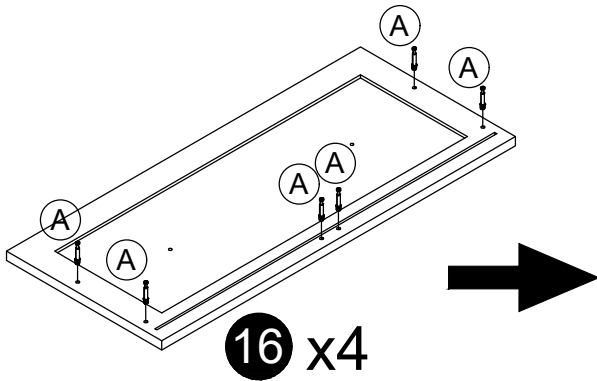
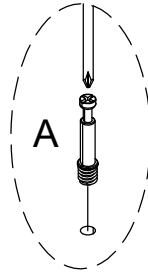
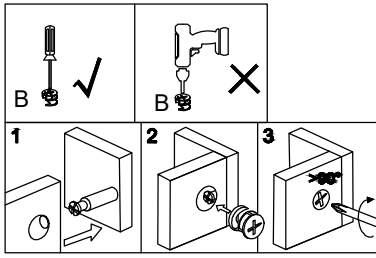
24PCS

B



Φ15*10mm

24PCS



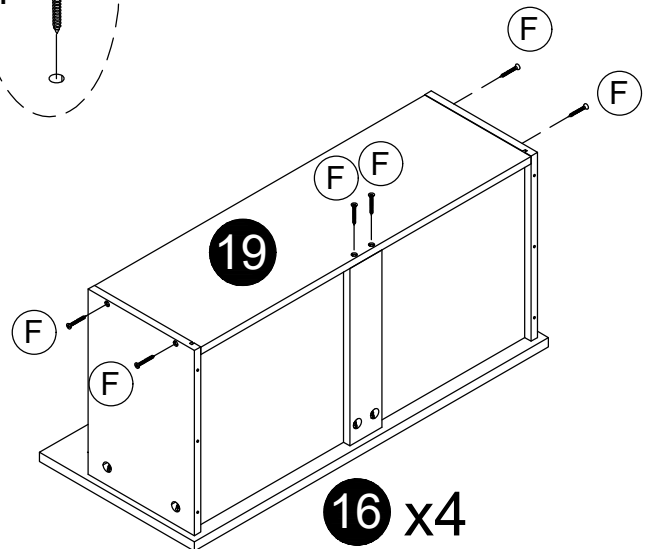
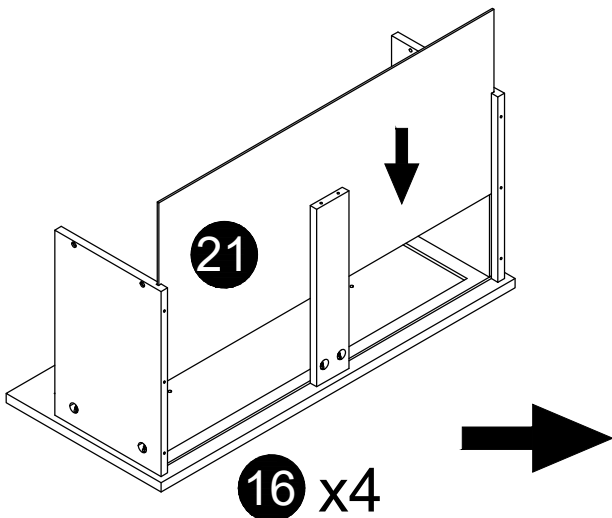
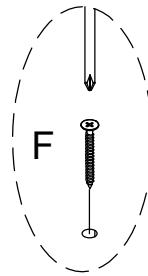
STEP 16

F





Φ4*35mm


24PCS





STEP 17

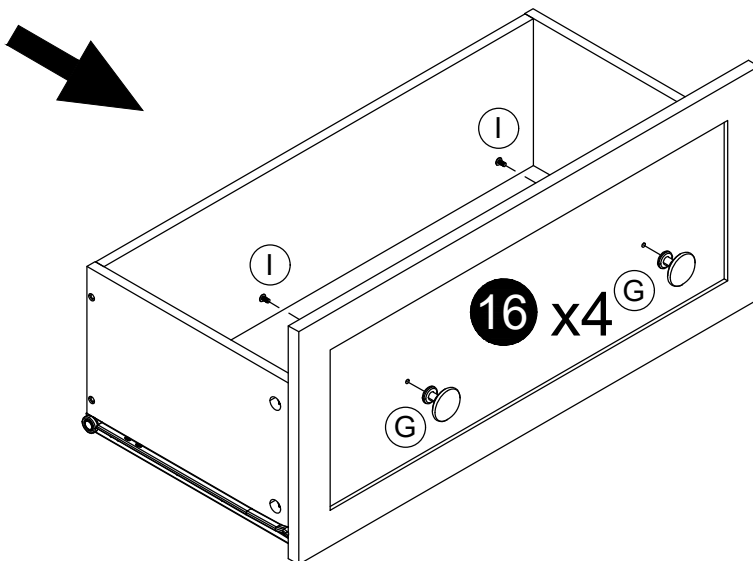
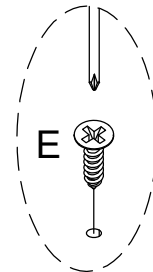
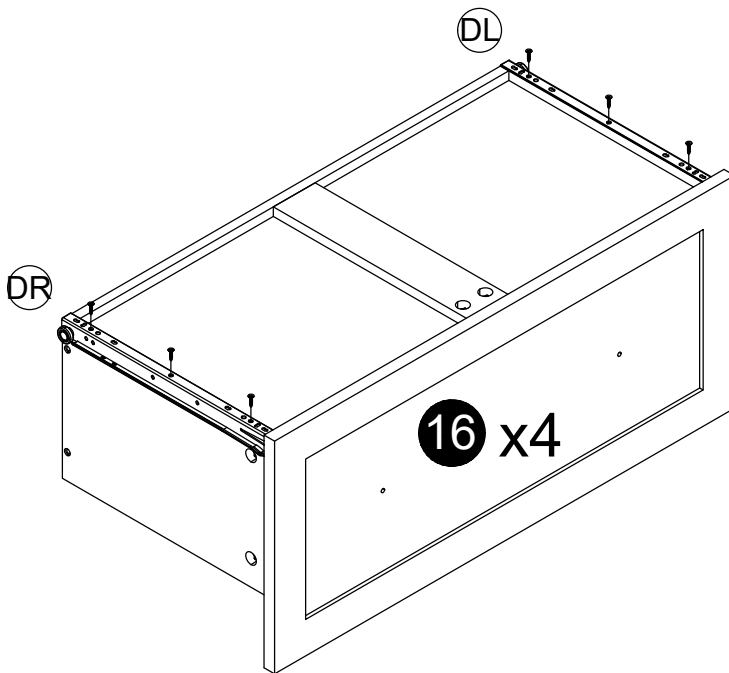
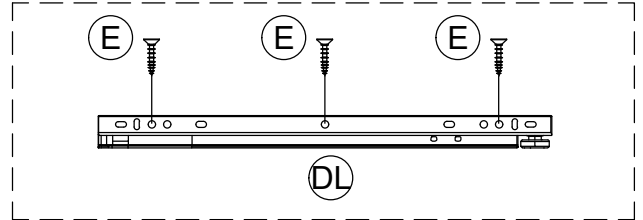
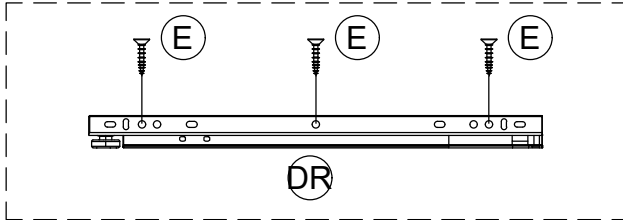
E
 Φ3.5*14mm
24PCS

G

8PCS

DL

350mm
4PCS


I
 M4*8mm
8PCS

DR

350mm
4PCS




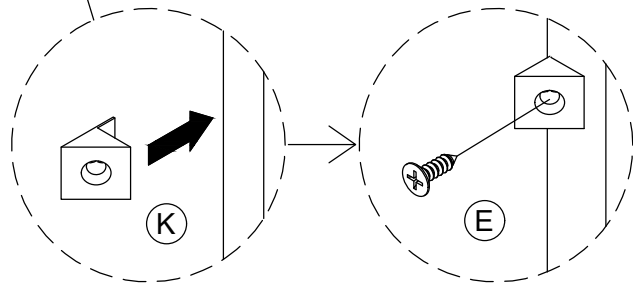
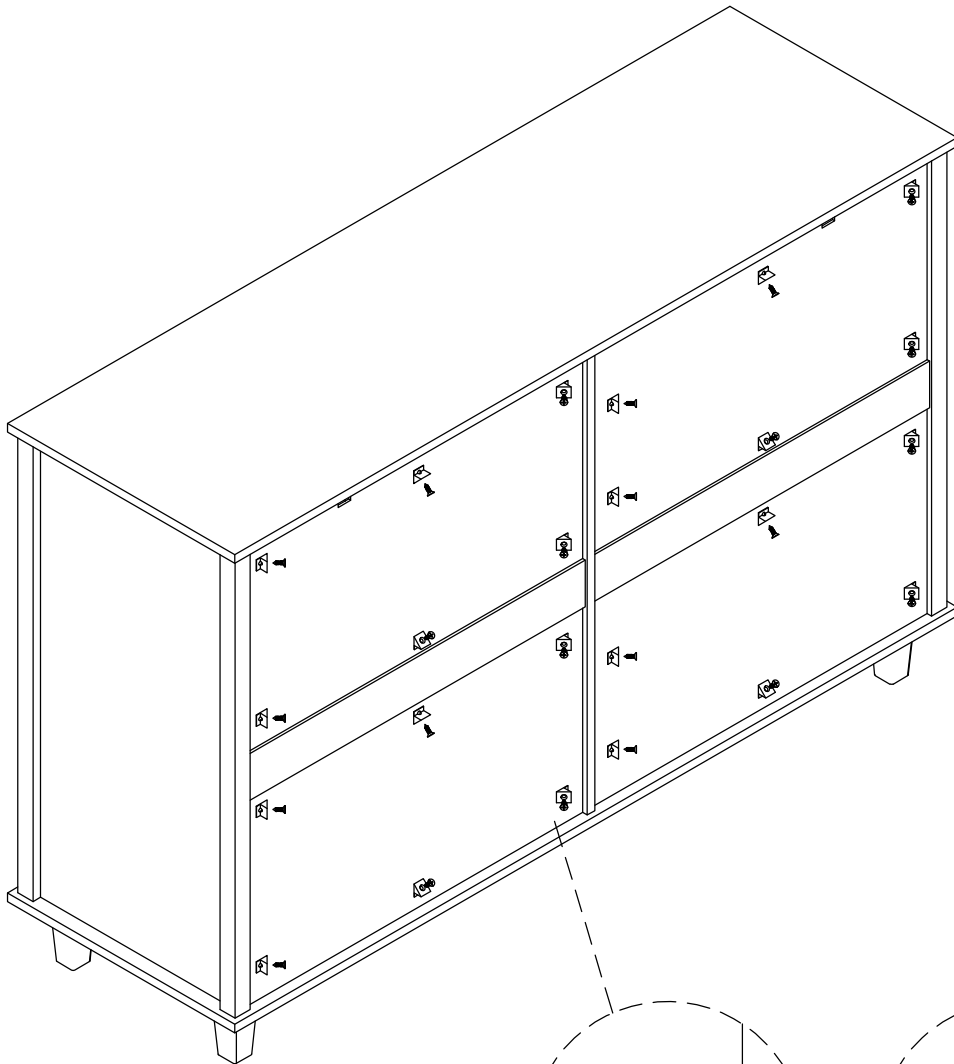
STEP 18

E


Φ3.5*14mm
24PCS

K


24PCS

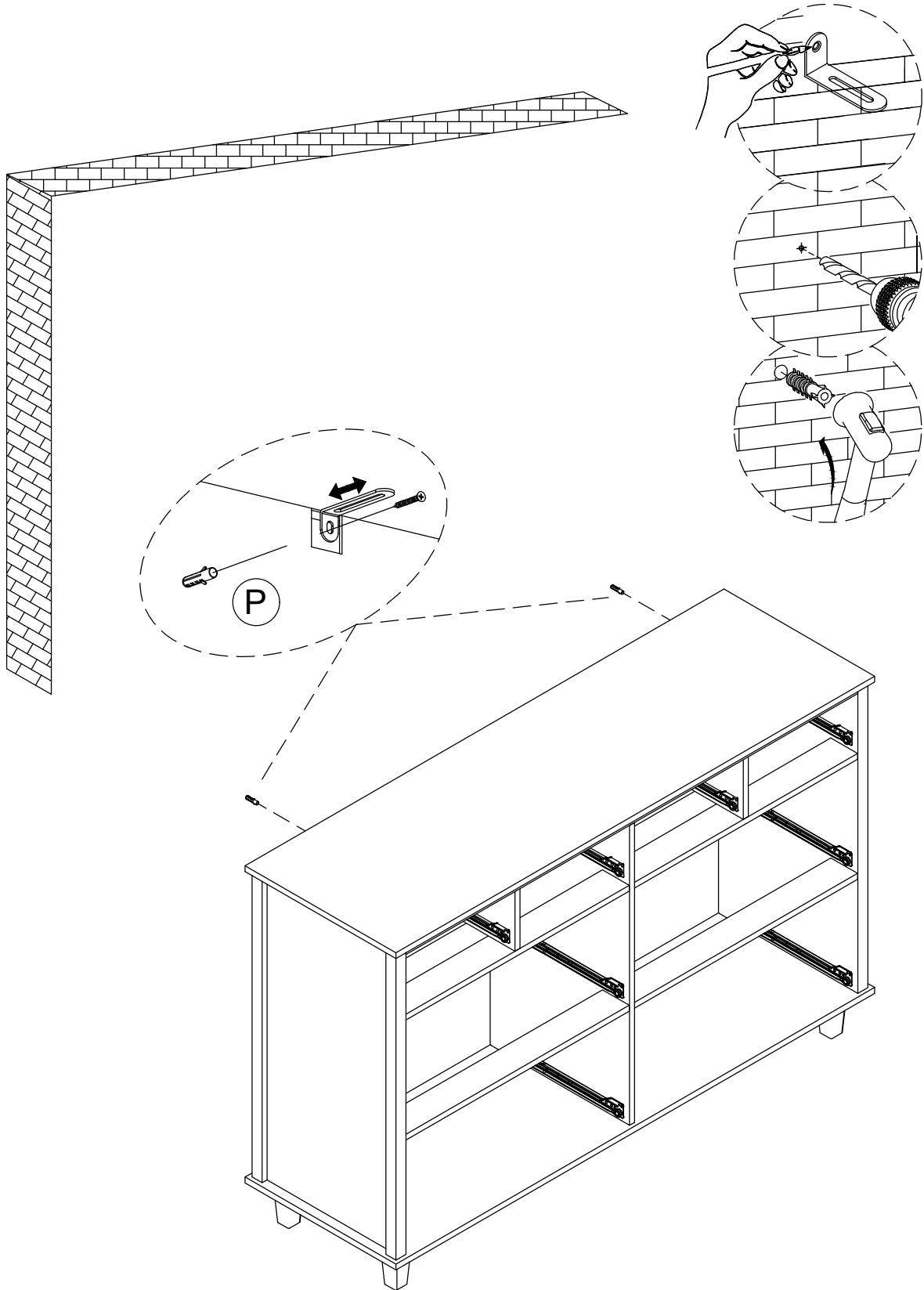


STEP 19

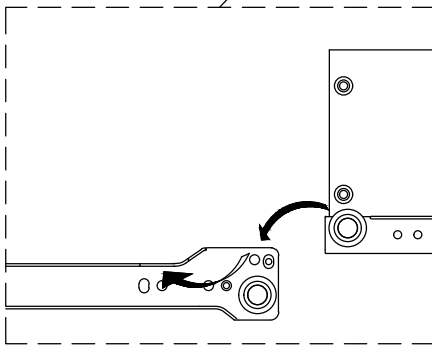
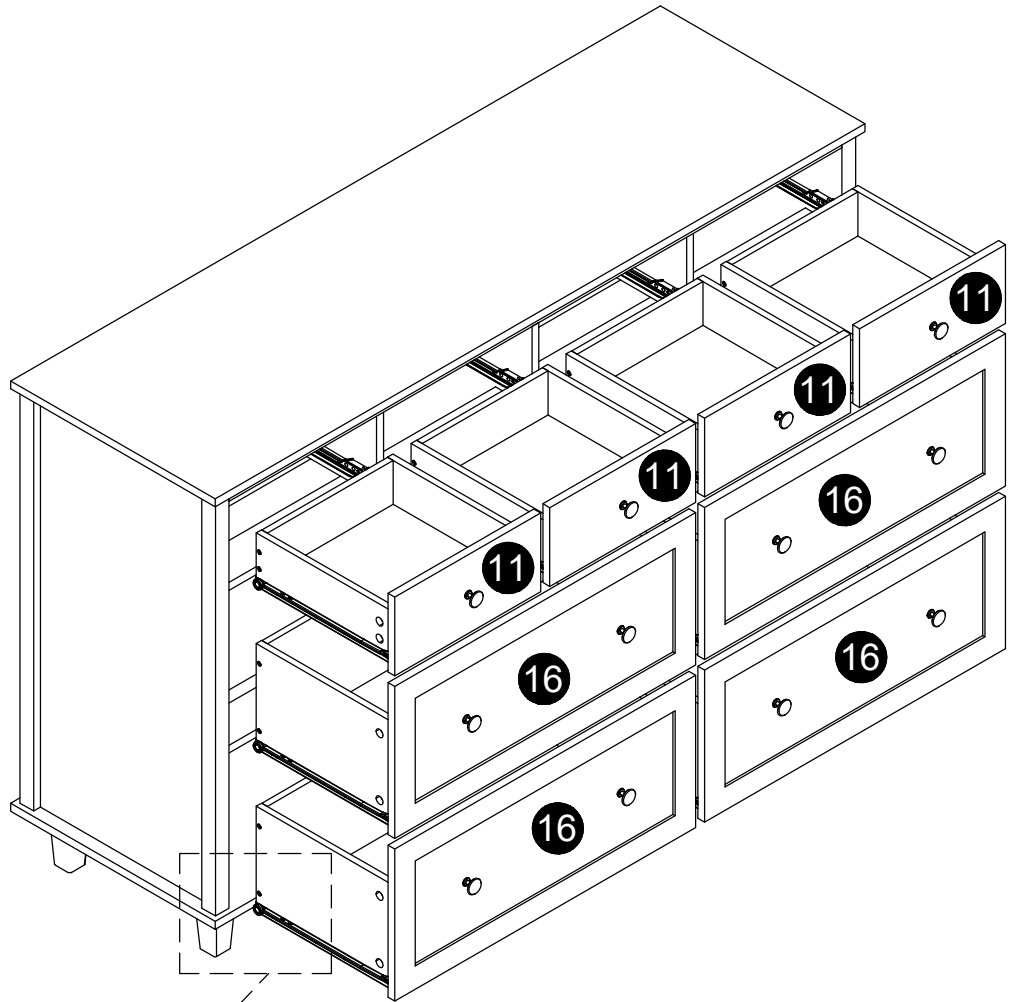
P



2PCS



STEP 20



STEP 21

E

Φ3.5*14mm

16PCS

After installation, if the gaps between the drawers are not uniform, you can fine-tune the position of the slide holes on the slide rails up and down.

