

STORAGE BED

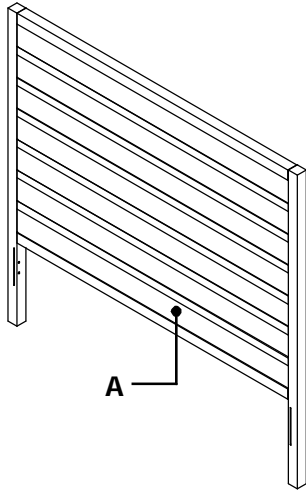
FULL/ QUEEN/ E-KING SIZE

ASSEMBLY INSTRUCTIONS

PARTS AND FITTING PACKAGING DETAIL

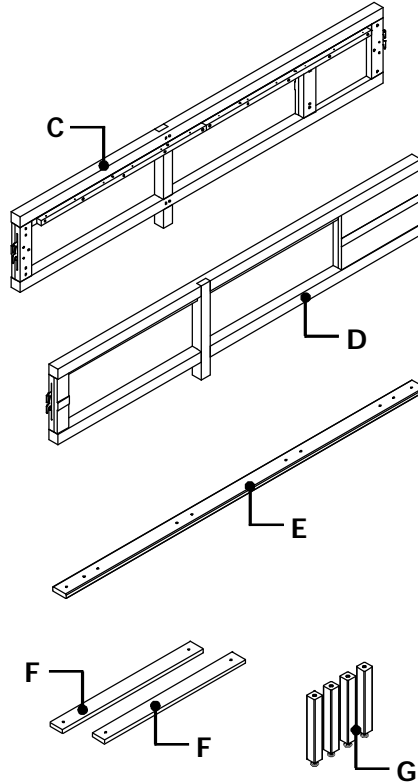
BOX #1

- A. HEADBOARD 1 PC
- B. FOOTBOARD 1 PC



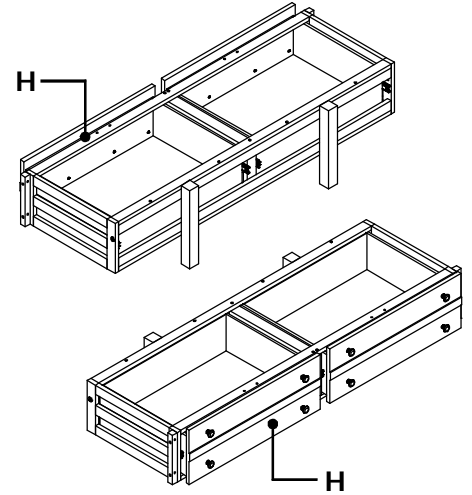
BOX #2

- C. LEFT SIDERAIL 1 PC
- D. RIGHT SIDERAIL 1 PC
- E. CENTER SLAT 1 PC
- F. STRETCHER 2 PCS
- G. LEG SUPPORT 4 PCS
- HARDWARE BOX *



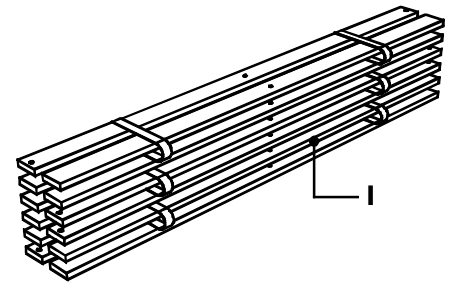
BOX #3

- H. STORAGE KIT 2 PCS

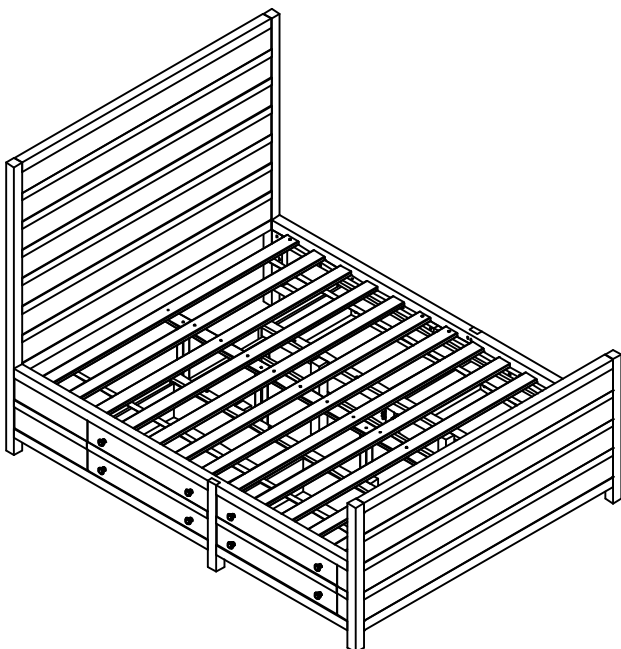


BOX #4

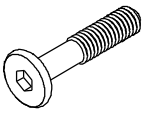
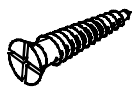
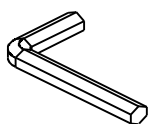
- I. BED SLAT 12 PCS



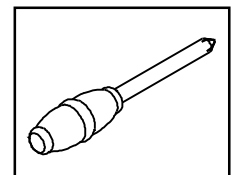
STORAGE BED ASSEMBLED



HARDWARE PACKED IN BOX #2

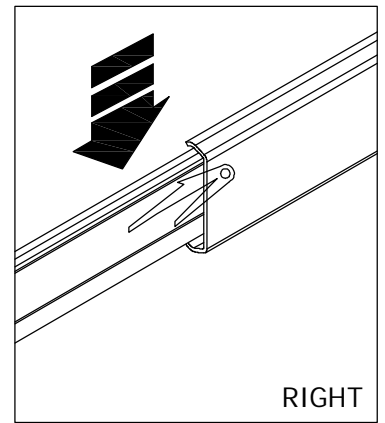
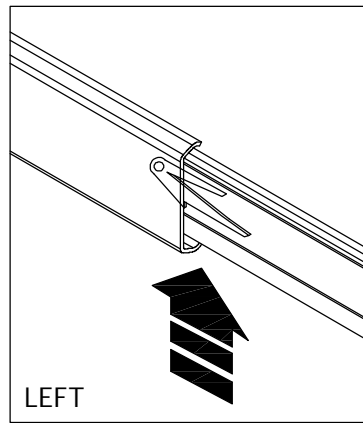
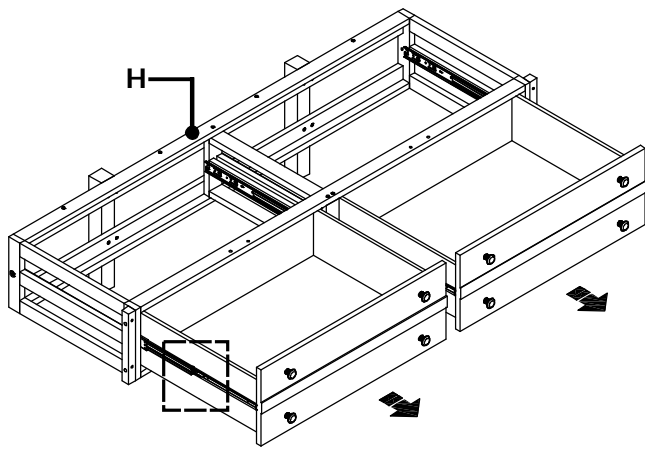
1	ALLEN BOLT 40MM	26 PCS	2	WOOD SCREW Ø8X30MM	8 PCS
					
3	ALLEN KEY	1 PC	YOUR BOX MAY CONTAIN EXTRA HARDWARE		
					

TOOL REQUIRED :
PHILLIPS HEAD SCREW
DRIVER (NOT PROVIDED)



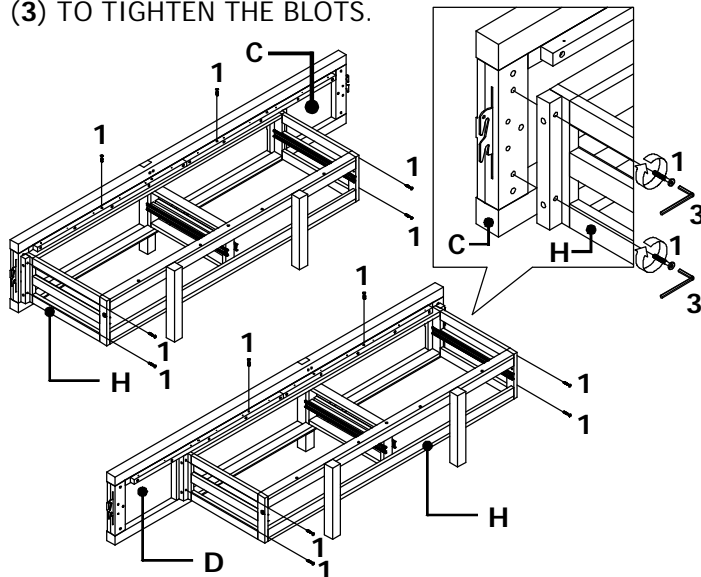
STEP 1 :

REMOVE DRAWER BOX ASSEMBLY FROM FRAME OF THE STORAGE KIT (H) BY UNLOCKING METAL EXTENSION RAIL.



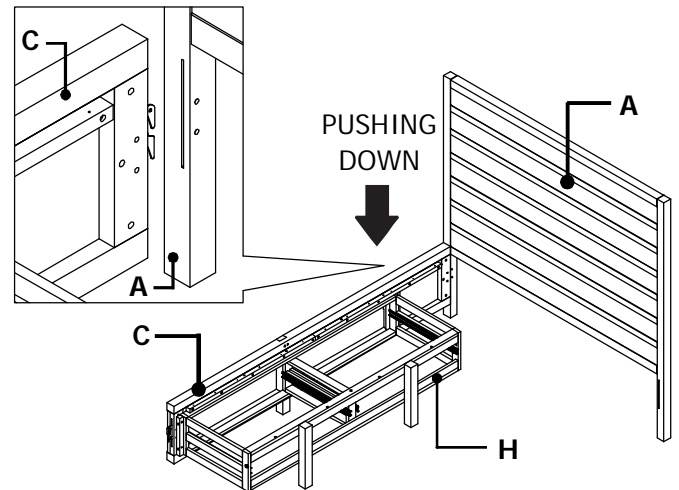
STEP 2 :

FOLLOW THE ILLUSTRATION TO FIX THE STORAGE KIT (H) TO THE LEFT SIDERAIL (C) AND THE RIGHT SIDERAIL (D) USING ALLEN BOLTS (1). USE ALLEN KEY (3) TO TIGHTEN THE BOLTS.



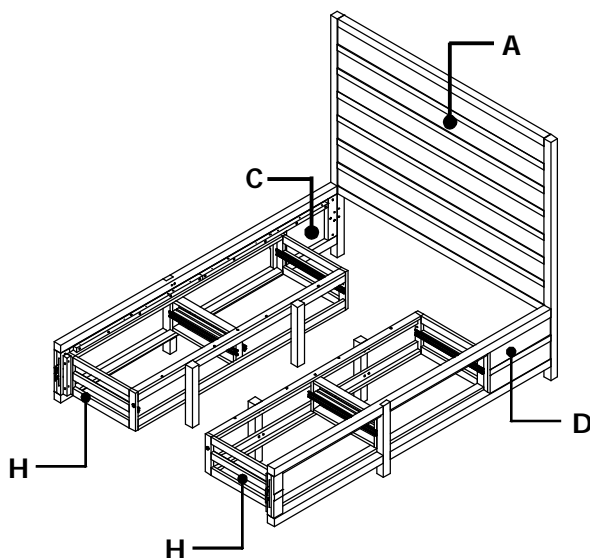
STEP 3 :

FIX ONE OF THE LEFT SIDERAILS (C) TO THE HEADBOARD (A) BY SLIDING IN THE HOOK INSTALLED AT THE END OF THE LEFT SIDERAIL (C) TO THE HEADBOARD (A), AND PUSH DOWN THE LEFT SIDERAIL (C) TO SECURE THE CONNECTION.



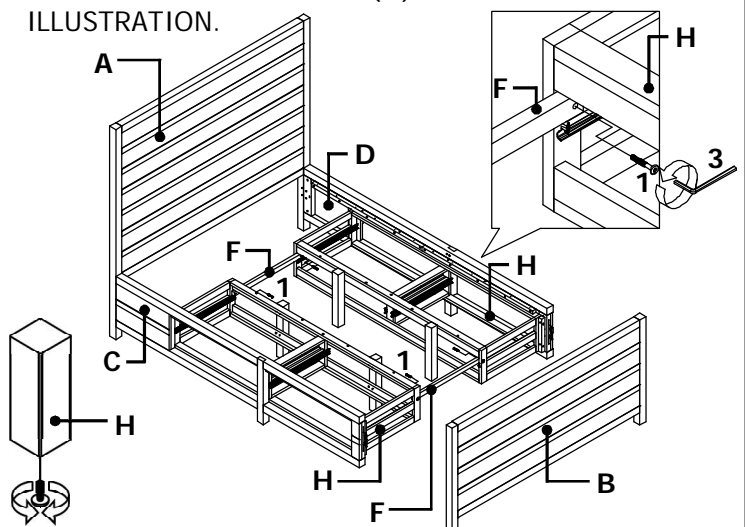
STEP 4 :

REPEAT THE SAME WAY FIX THE RIGHT SIDERAIL (D) TO THE HEADBOARD (A)



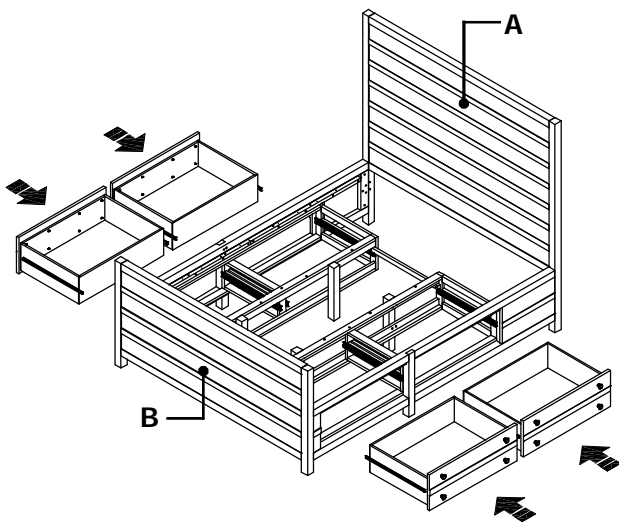
STEP 5 :

*FIX THE OTHER END OF THE LEFT SIDERAIL (C) AND THE RIGHT SIDERAIL (D) TO FOOTBOARD (B).
*FIX THE STRETCHER (F) TO THE STORAGE KIT (H) USING ALLEN BOLT (1) AND ALLEN KEY (3).
*TURN LEVELER UNDERNEATH STORAGE LEG TO ADJUST THE STORAGE KIT (H) LEVEL AS SHOWN ON ILLUSTRATION.



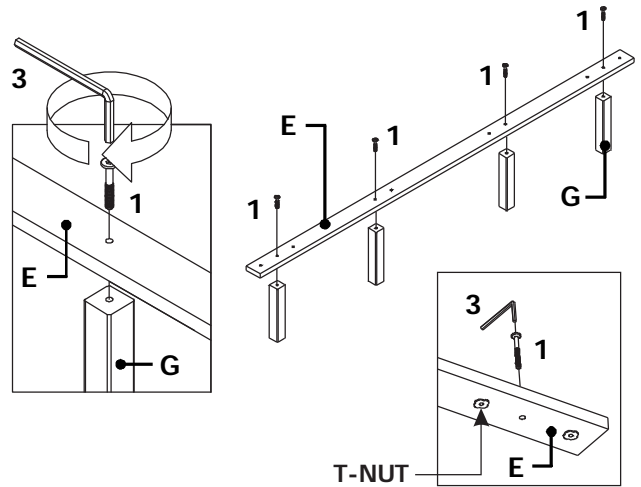
STEP 6 :

INSERT DRAWER BOX ASSEMBLY TO FULL BODY BED ASSEMBLY TO COMPLETE INSTALLATION.



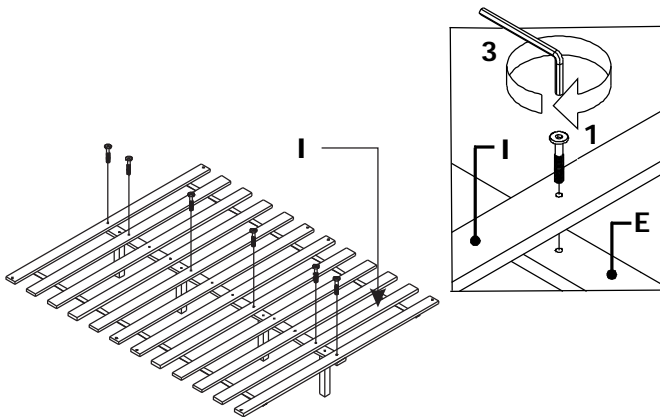
STEP 7 :

ARRANGE CENTER SLAT (E) SO THAT T-NUTS ARE FACING THE FLOOR. SLIDE ALLEN BOLTS (1) FROM TOP OF CENTER SLAT (E) IN TO THE 2ND, 4TH, 7TH, AND 9TH PREDRILLED HOLES. FIX LEG SUPPORT (G) TO CENTER SLAT (E) USING ALLEN BOLTS (1) AND ALLEN KEY (3).



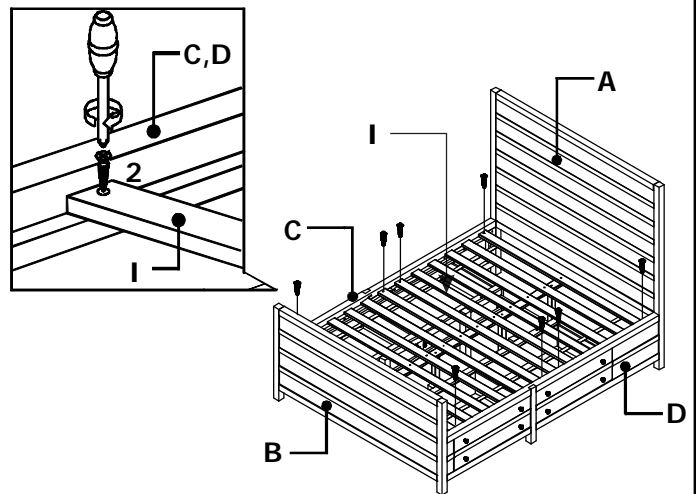
STEP 8 :

FOLLOW THE ILLUSTRATION TO SPREAD OUT ALL THE BED SLATS (I). SLIDE CENTER SLAT (E) UNDER BED SLATS (I). SLIDE ALLEN BOLTS (1) FROM TOP OF BED SLATS (I) THROUGH PRE-DRILLED HOLES ON 1ST, 2ND, 5TH, 8TH, 11TH AND 12TH BED SLATS. TIGHTEN ALLEN BOLTS (1) WITH ALLEN KEY (3) TO SECURE BED SLATS (I) TO CENTER SLAT (E).



STEP 9 :

FOLLOW THE ILLUSTRATION TO PLACE THE BED SLATS (I) ON THE BED FRAME. SPREAD BED SLATS (I) ON BED FRAME. FIX 1ST, 6TH, 7TH, AND 12TH BED SLATS TO BED FRAME USING WOOD SCREWS (2). USE PILOT HOLES ON SIDERAILS (C,D) AS REFERENCE FOR CORRECT PLACEMENT.

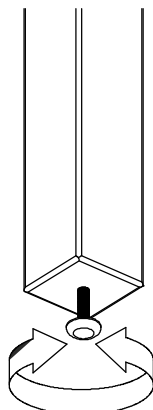


INSTRUCTIONS FOR ADJUSTING LEVELERS :

POSITION THE BED IN YOUR ROOM. LOCATE LEVELERS UNDER EACH LEG SUPPORT.

TURN COUNTER-CLOCKWISE TO EXTEND, CLOCKWISE TO CONTRACT.

ADJUST LEVELERS UNTIL EACH LEG SUPPORT IS APPLYING EQUAL UPWARD PRESSURE ON THE CENTER SLAT.



MAINTENANCE INSTRUCTIONS :

- REMOVE BOX SPRING AND MATTRESS BEFORE MOVING YOUR BED.
- LIFT YOUR BED WHEN MOVING IT. DRAGGING CAN DAMAGE CENTER SUPPORT.
- READJUST LEVELERS AFTER MOVING YOUR BED.