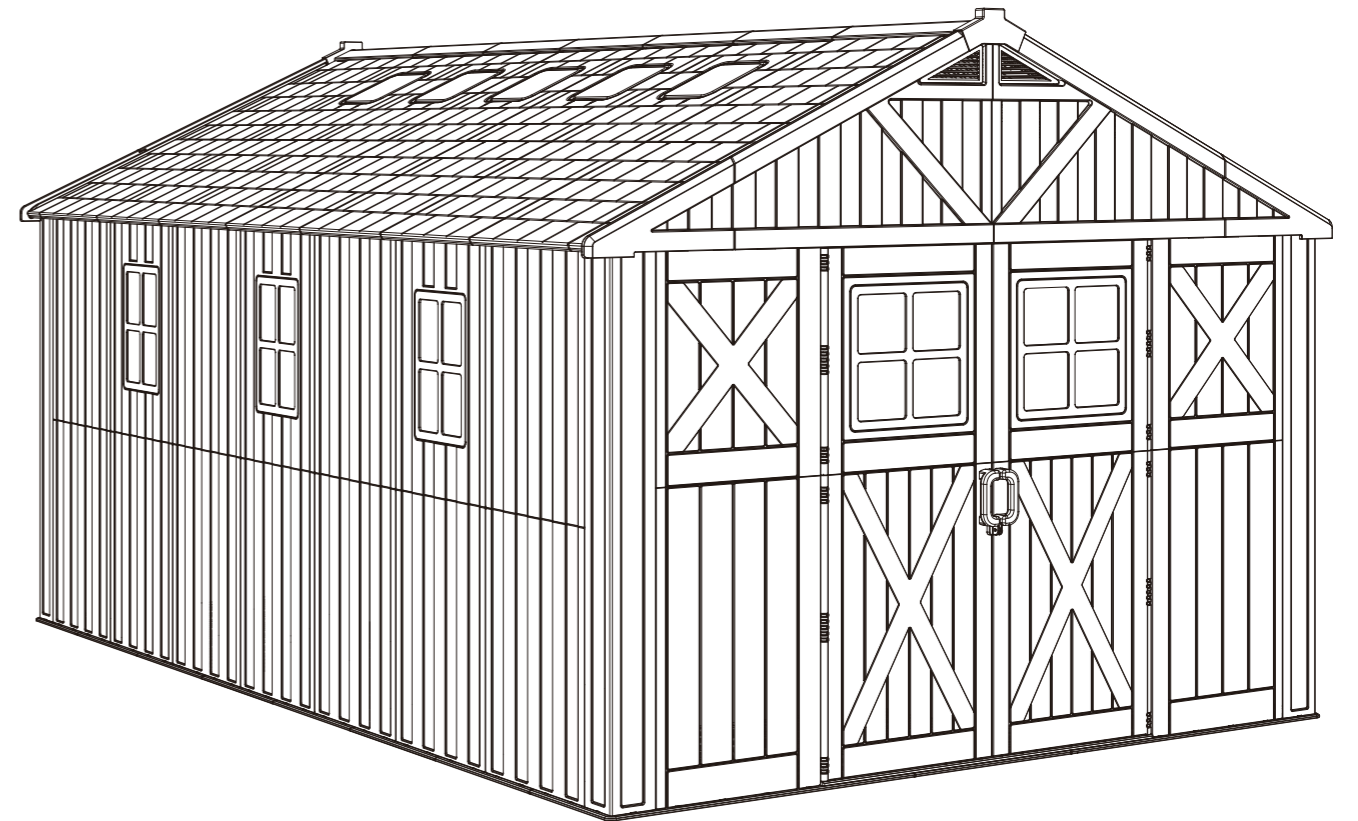


ASSEMBLY INSTRUCTIONS

10X16FT RESIN GARDEN SHED

SKU: T-PS24-0781-10



Store
Your
Patio Well



E-mail:
saleservice@madepot.com



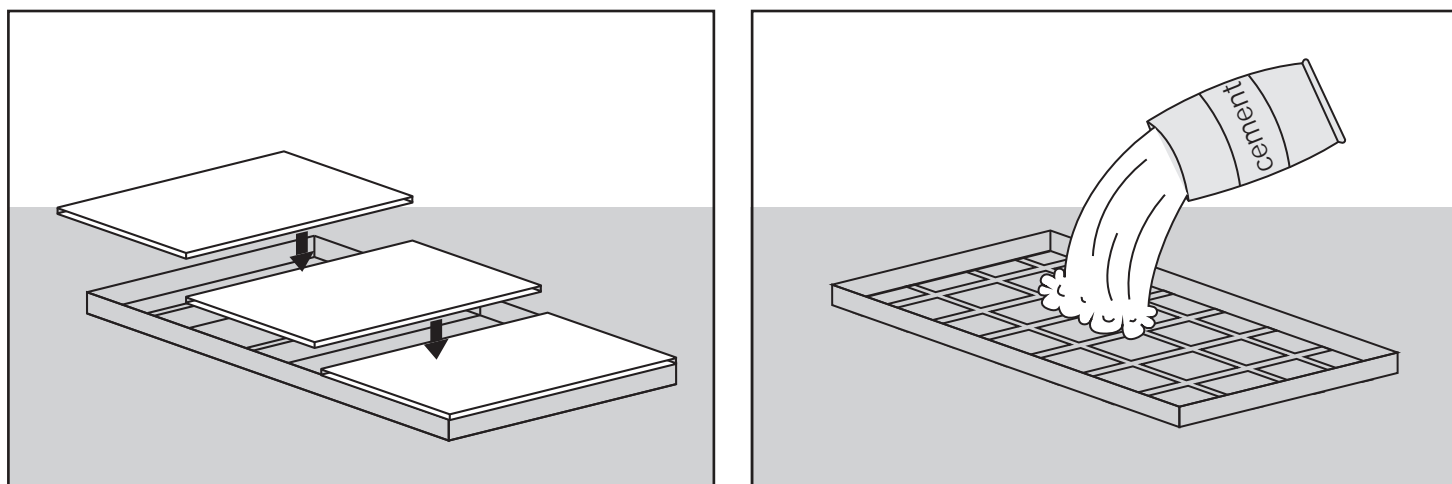
Please read the instruction manual strictly,
Please assemble the resin garden shed in
the following steps.

SITE PREPARATION

Level the ground surface.



Recommendation: Construct a wooden or concrete base as a foundation.



Before installation, please measure the ground with a tool and make sure the ground is level before installation.

BEFORE STARTING ASSEMBLY

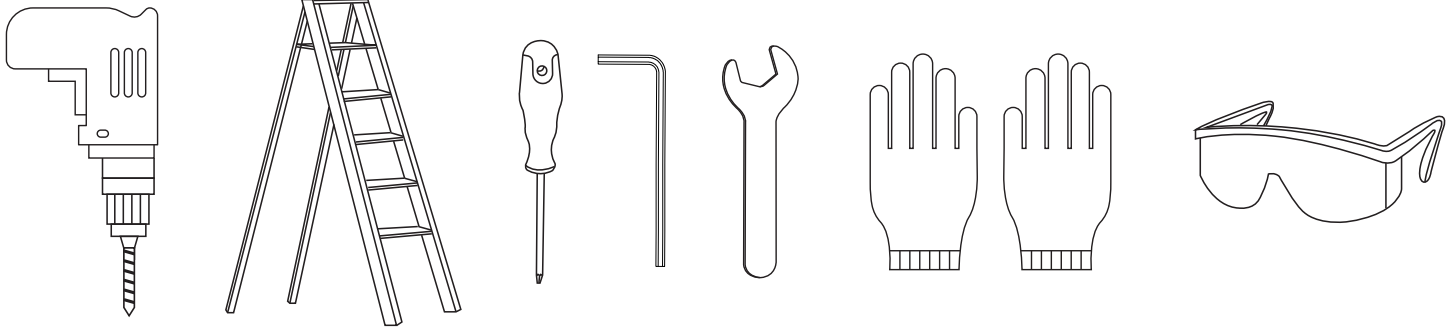
Remove all of the pieces from the 13 packages and spread them out on the ground. Before installation, please check the type and quantity of parts first.

It is recommended to use a clean work surface to spread the parts out and for pre-assembly steps. Review all instructions before you begin, continue to refer to instructions during assembly.

Be sure to follow all steps thoroughly.

Please prepare these components in advance at the beginning of each stage.

REQUIRED TOOLS



CAUTION

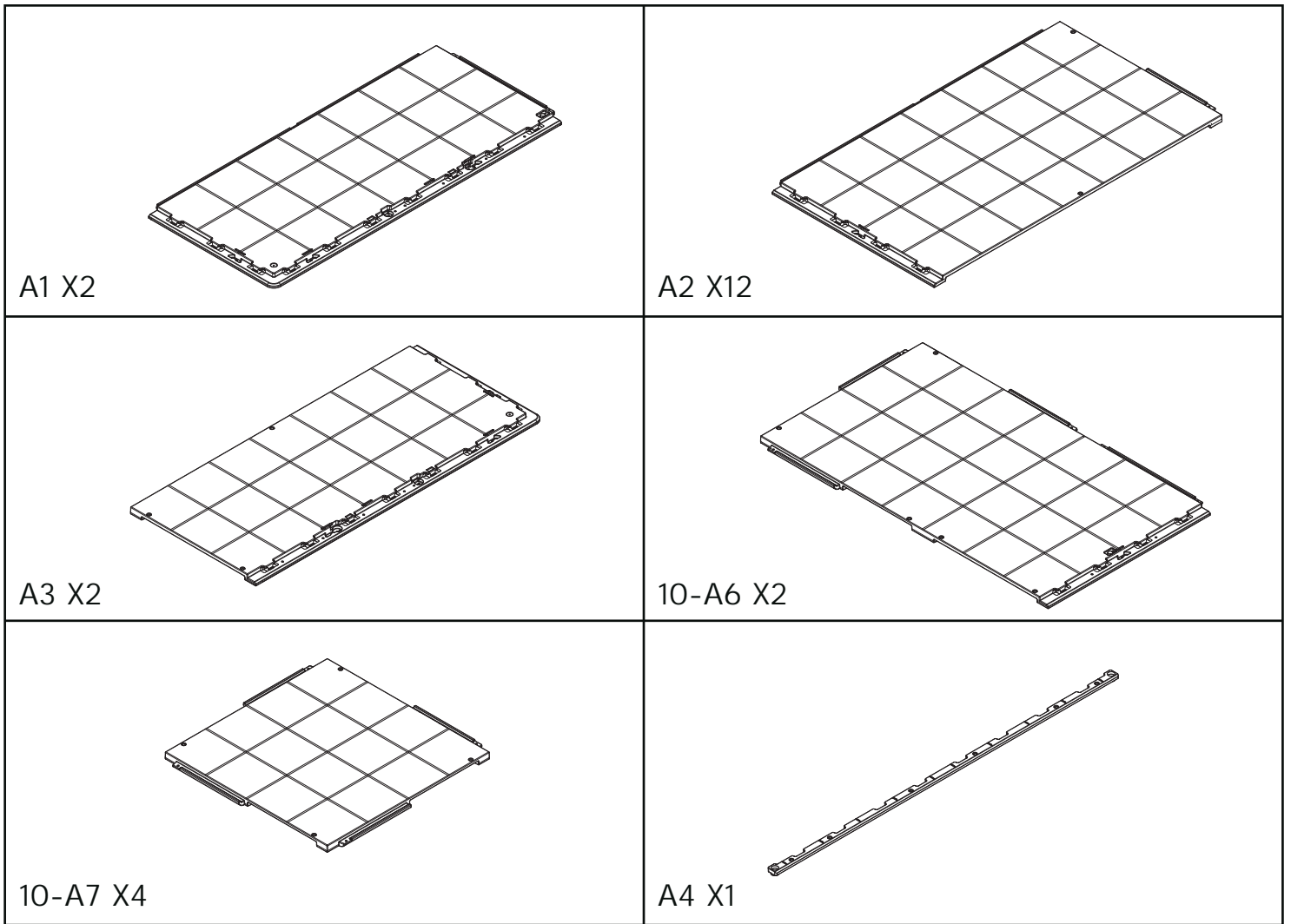
Some parts have steel edges. Please be careful when handling components. Always wear work gloves, eye protection and long sleeves when assembling or performing any maintenance on your shed. Do not attempt assembly on days with strong winds or low temperatures.



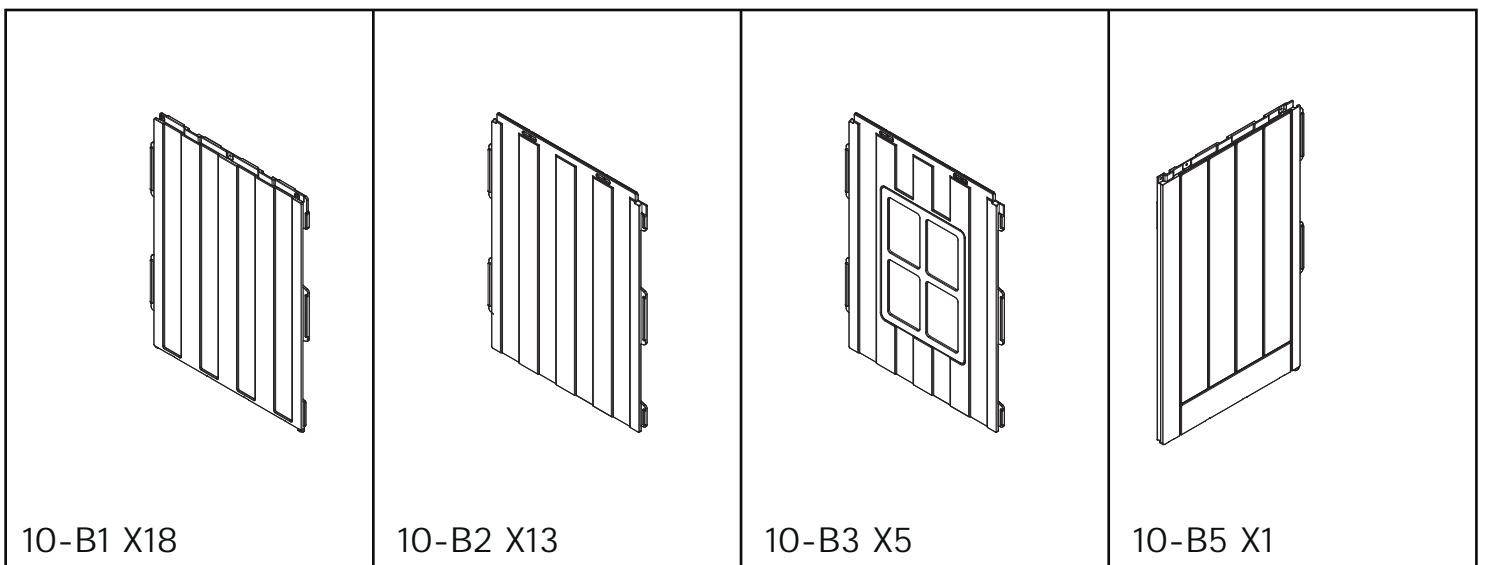
Requires two people and takes 2-3 hours for Installation. Recommended to wear gloves to avoid scratches. Please read the manual carefully before installation.

DO NOT RETURN YOUR UNIT
TO THE STORE
Contact us first
saleservice@madepot.com

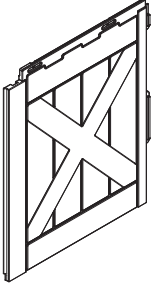
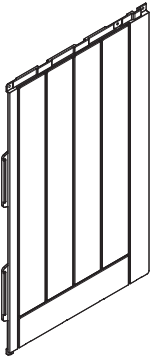
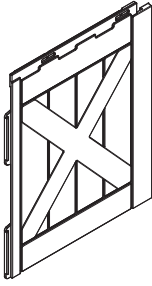





FLOOR PARTS



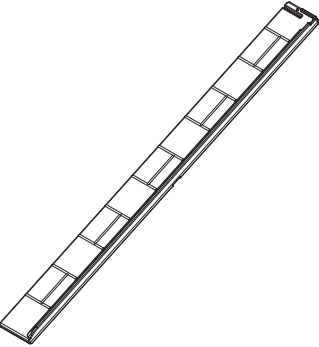
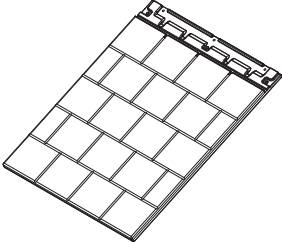
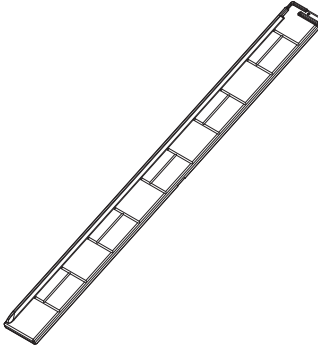
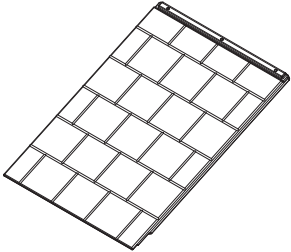
WALL PARTS



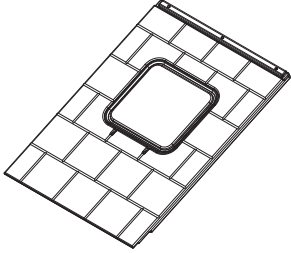
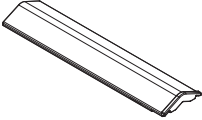
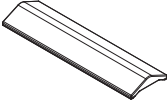
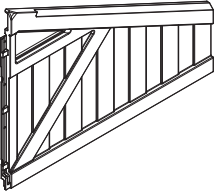
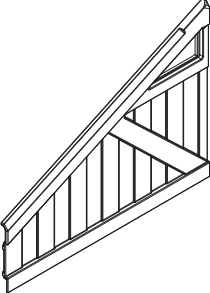
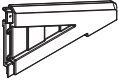
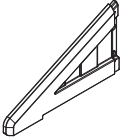



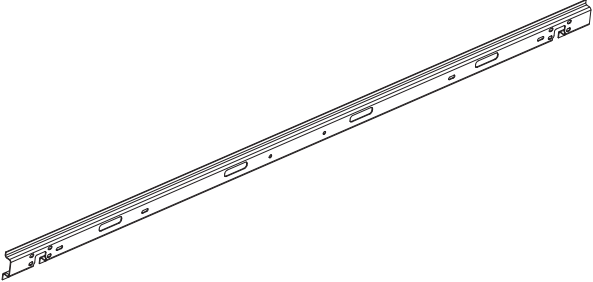
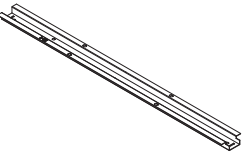
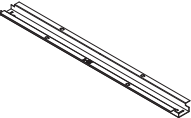
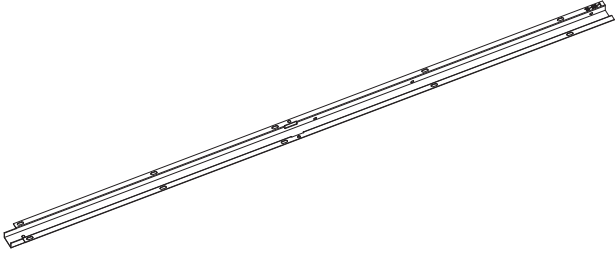
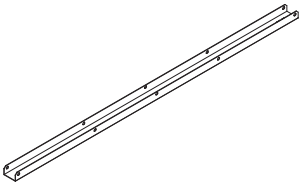
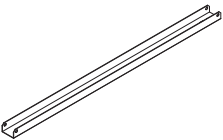
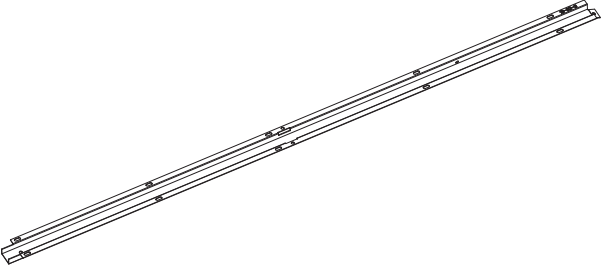
WALL PARTS

			
10-B7 X1	10-B8 X1	10-B9 X1	B4 X2
			
B6 X2	B2-1 X16	B2-2 X2	B2-3 X9

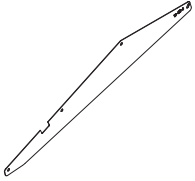
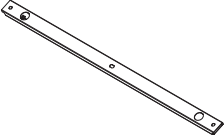

ROOF PARTS

			
10-D1 X2	10-D2 X14	10-D3 X2	10-D4 X4

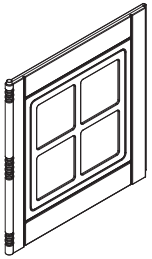
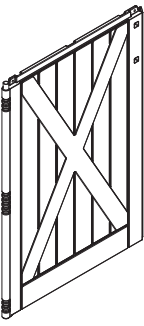
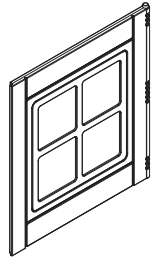



ROOF PARTS

 <p>10-D5 X10</p>	 <p>10-E1 X2</p>	 <p>10-E2 X5</p>	 <p>10-CR X2</p>
 <p>10-CL X2</p>	 <p>10-CR-1 X2</p>	 <p>10-CL-1 X2</p>	 <p>B2-4 X2</p>
 <p>10-B2-5 X1</p>	 <p>10-B2-6 X2</p>	 <p>DD X1</p>	
 <p>E1-1 X2</p>	 <p>E2-1 X5</p>	 <p>10-D2-1 X12</p>	
 <p>D2-2 X6</p>	 <p>D2-4 X2</p>	 <p>10-D2-3 X4</p>	



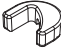



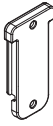

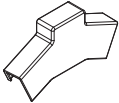
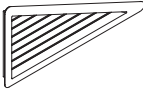


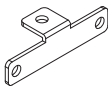
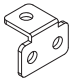
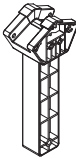
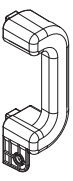

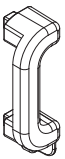
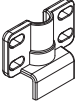


ROOF PARTS

			
10-D2-6 X24	10-D2-7 X14	10-D2-8 X4	

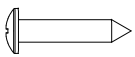
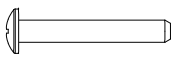
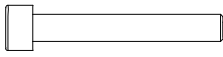
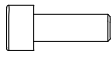
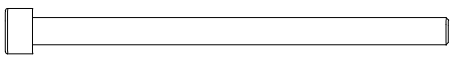
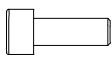
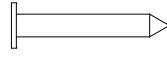
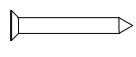
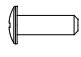
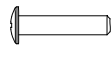
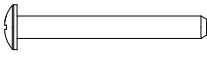
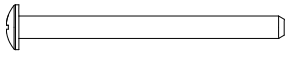
DOOR PARTS

			
DL-1 X1	DL-2 X1	DR-1 X1	DR-2 X1
			
DZ X2	DG X2		

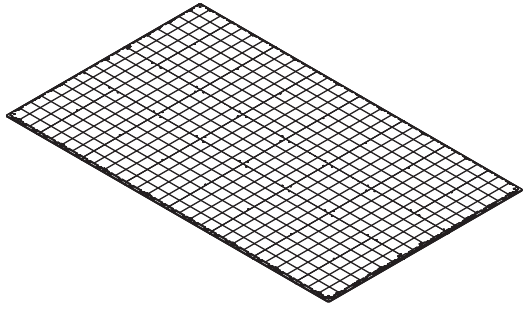
ACCESSORIES

 <p>A5 X2</p>	 <p>10-A8 X4</p>	 <p>8/10-A9 X1</p>	 <p>8/10-A10 X1</p>
 <p>10-A11 X2</p>	 <p>A1-1 X1</p>	 <p>10-BC X42</p>	 <p>B1-1 X2</p>
 <p>E3 X2</p>	 <p>CRI X2</p>	 <p>CLI X2</p>	 <p>DC X1</p>
 <p>D2-5 X6</p>	 <p>D2-6 X12</p>	 <p>E4 X6</p>	 <p>10-HR1 X1</p>
 <p>10-HR2 X2</p>	 <p>10-HL1 X1</p>	 <p>DDZ X2</p>	 <p>M6 X150</p>
			 <p>Z6 X16</p>

SCREW

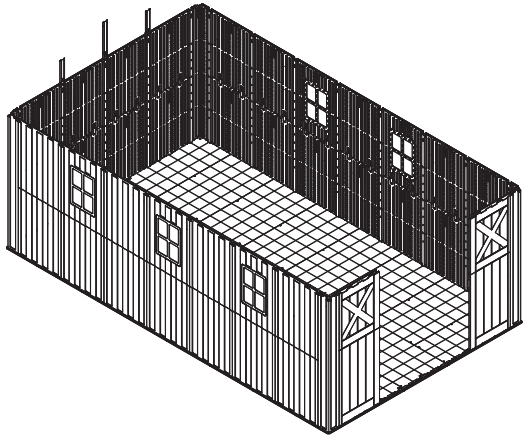
 <p>415 pcs</p> <p>SP6-15 M6*15</p>	 <p>464 pcs</p> <p>SP6-20 M6*20</p>
 <p>32 pcs</p> <p>M6-25 M6*25</p>	 <p>10 pcs</p> <p>M6-10 M6*10</p>
 <p>70 pcs</p> <p>M6-55 M6*55</p>	 <p>38 pcs</p> <p>M6-15 M6*15</p>
 <p>62 pcs</p> <p>SPF6-20 M6*20</p>	 <p>6 pcs</p> <p>SF4-15 M4*15</p>
 <p>18 pcs</p> <p>M5-8 M5*8</p>	 <p>8 pcs</p> <p>M5-12 M5*12</p>
 <p>32 pcs</p> <p>SP6-25 M6*25</p>	 <p>14 pcs</p> <p>SP6-35 M6*35</p>

CONTENTS



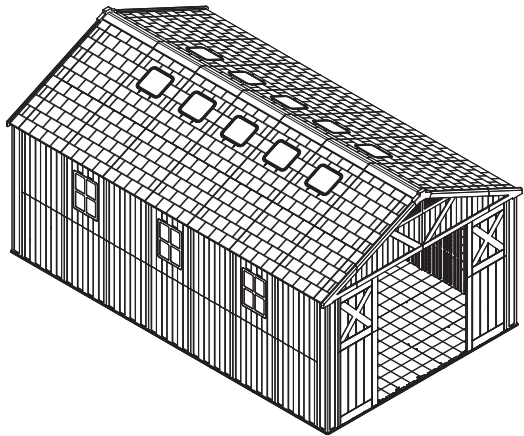
Floor Part Instruction

11-17
(page)



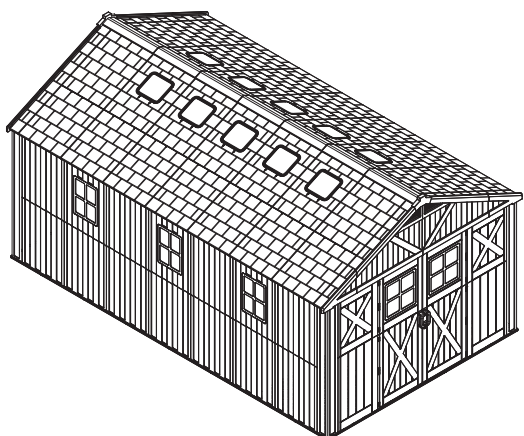
Wall Part Instruction

18-30
(page)



Roof Part Instruction

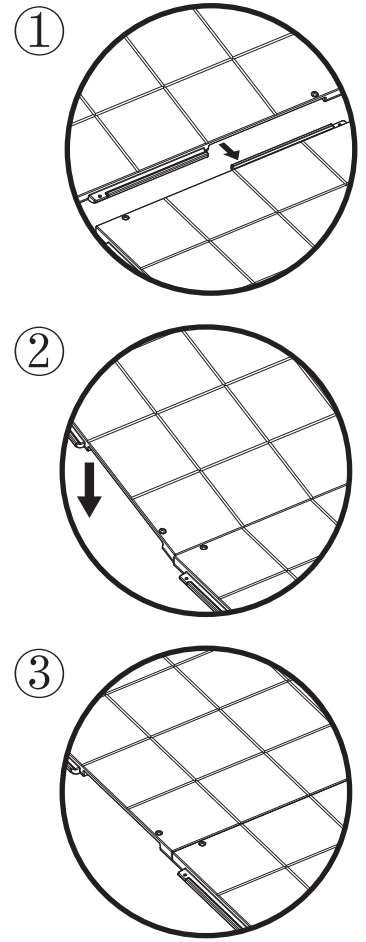
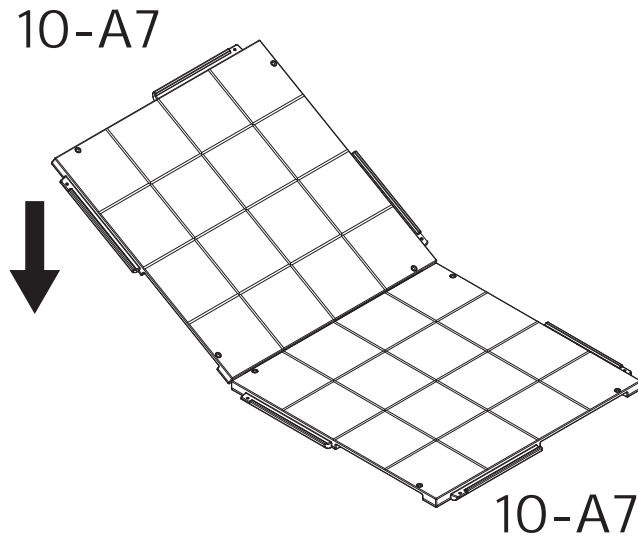
31-48
(page)



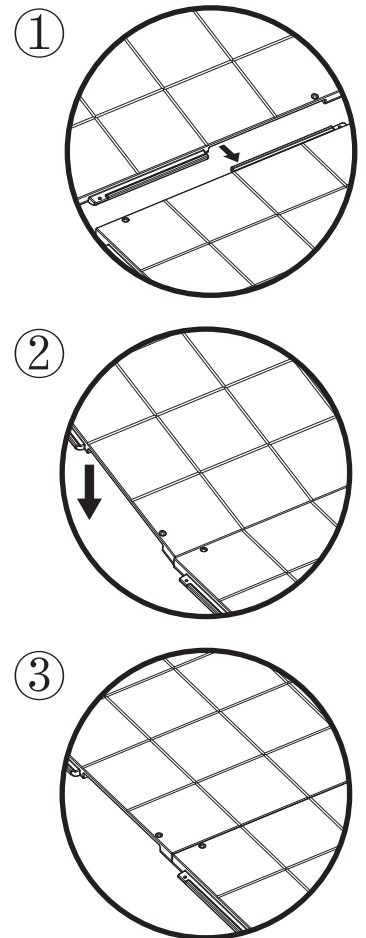
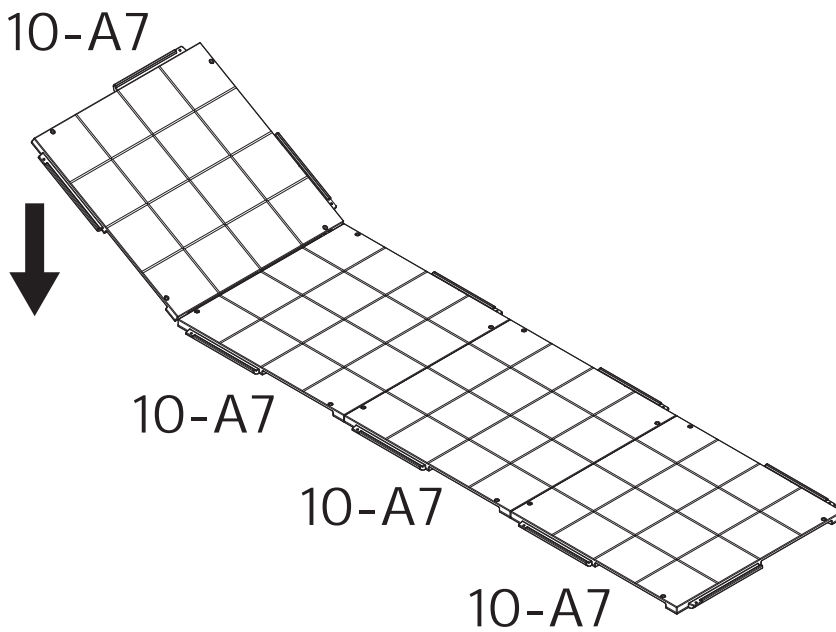
Door Part Instruction

49-53
(page)

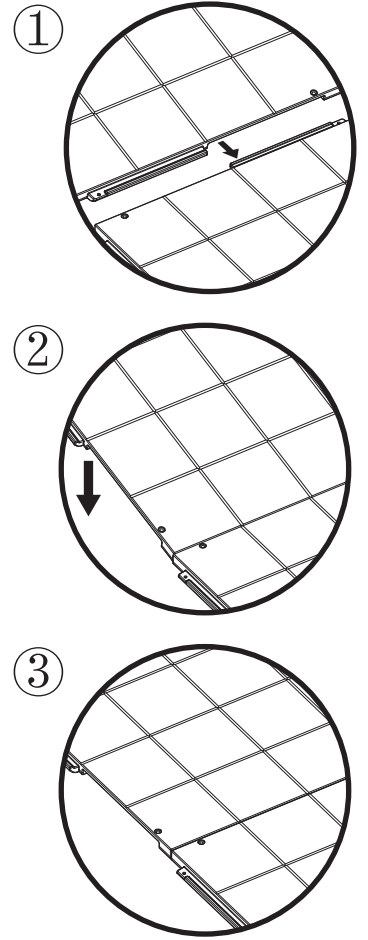
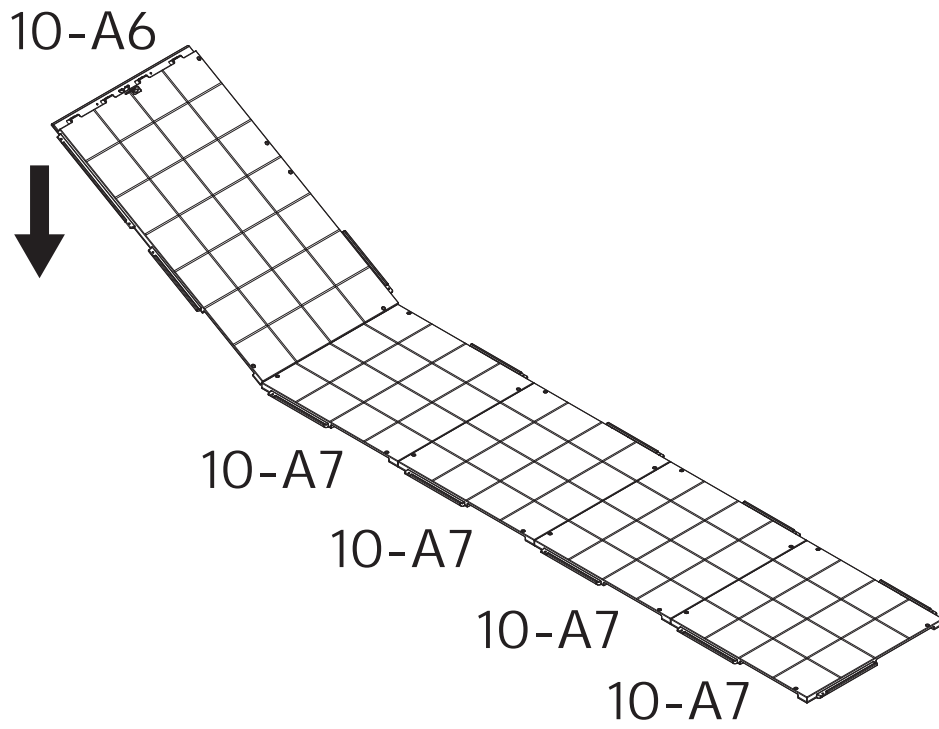
STEP 1



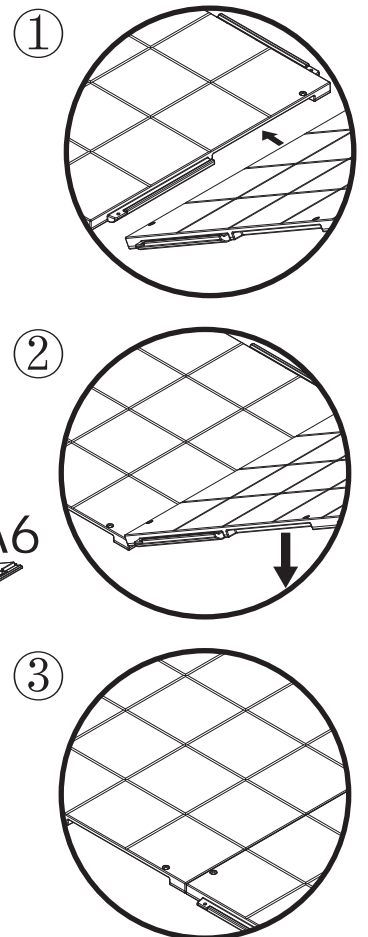
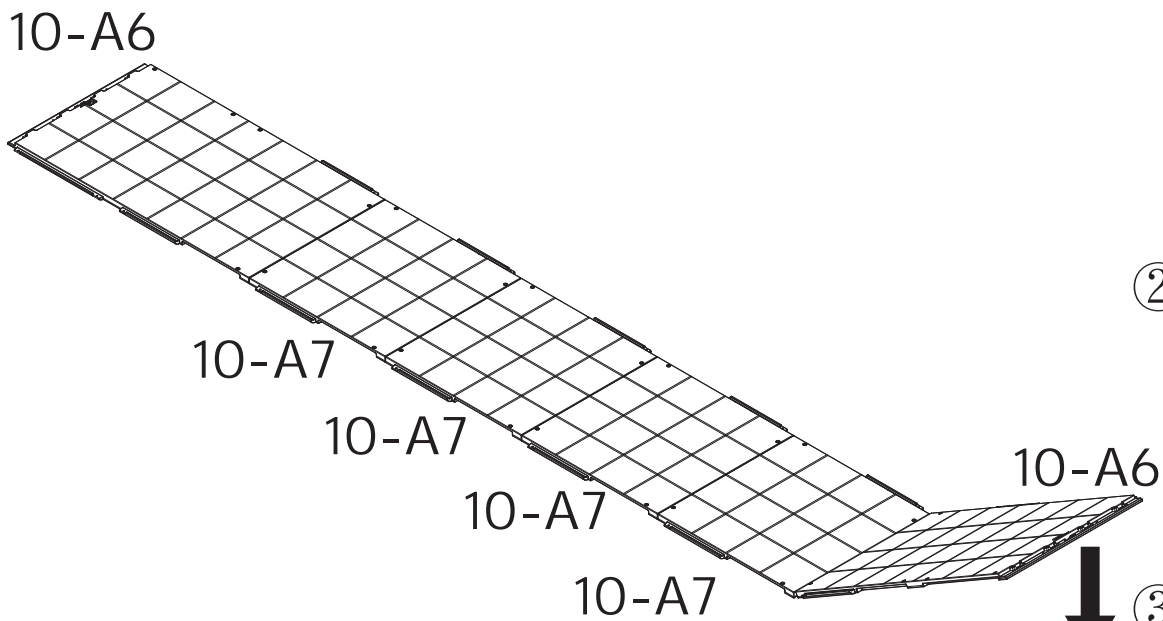
STEP 2



STEP 3

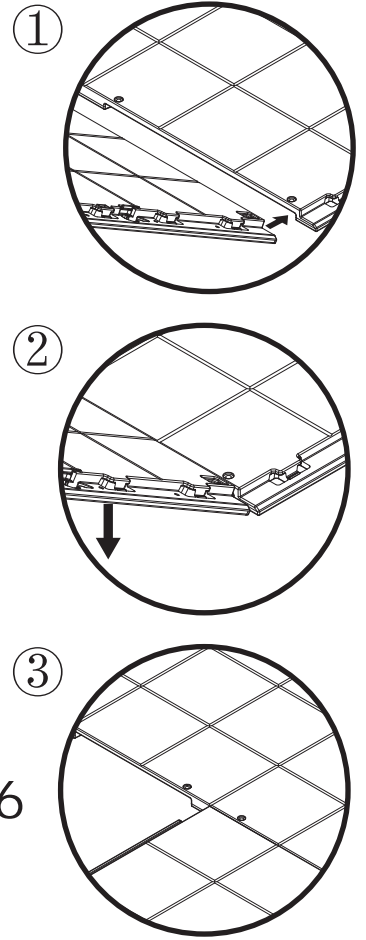
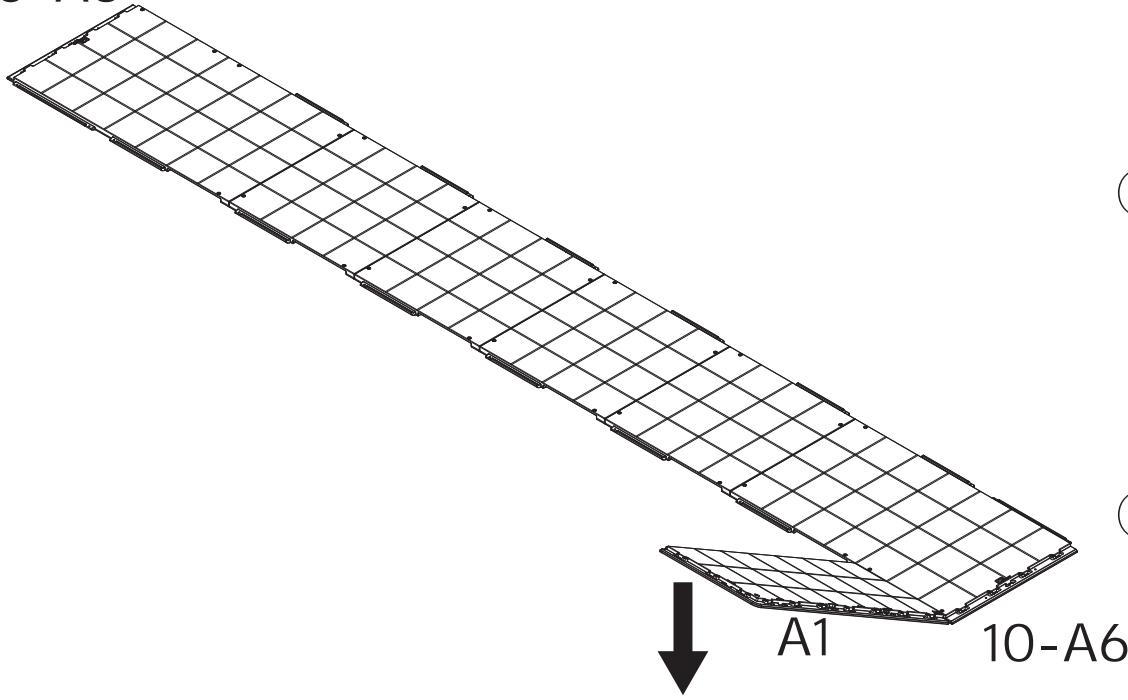


STEP 4



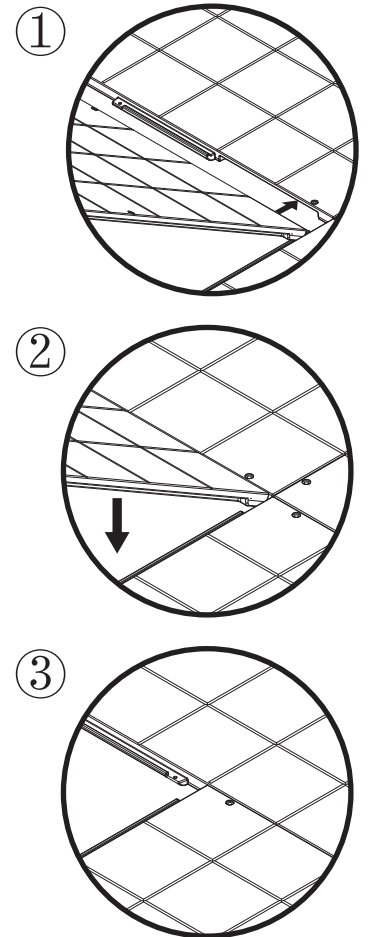
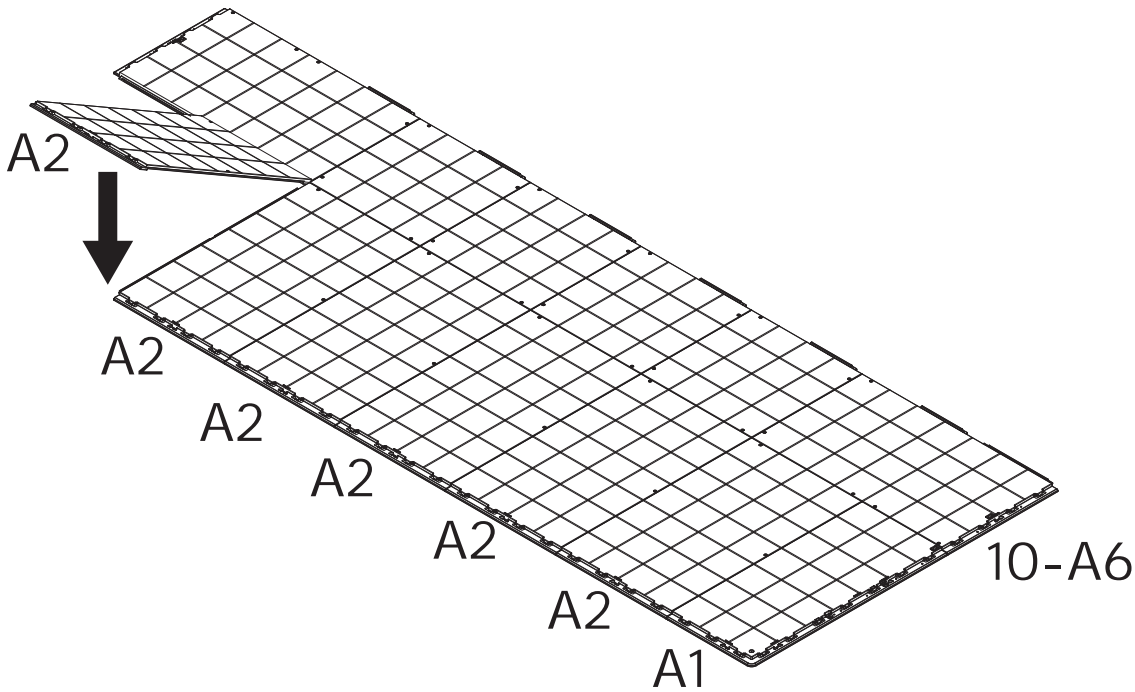
STEP 5

10-A6

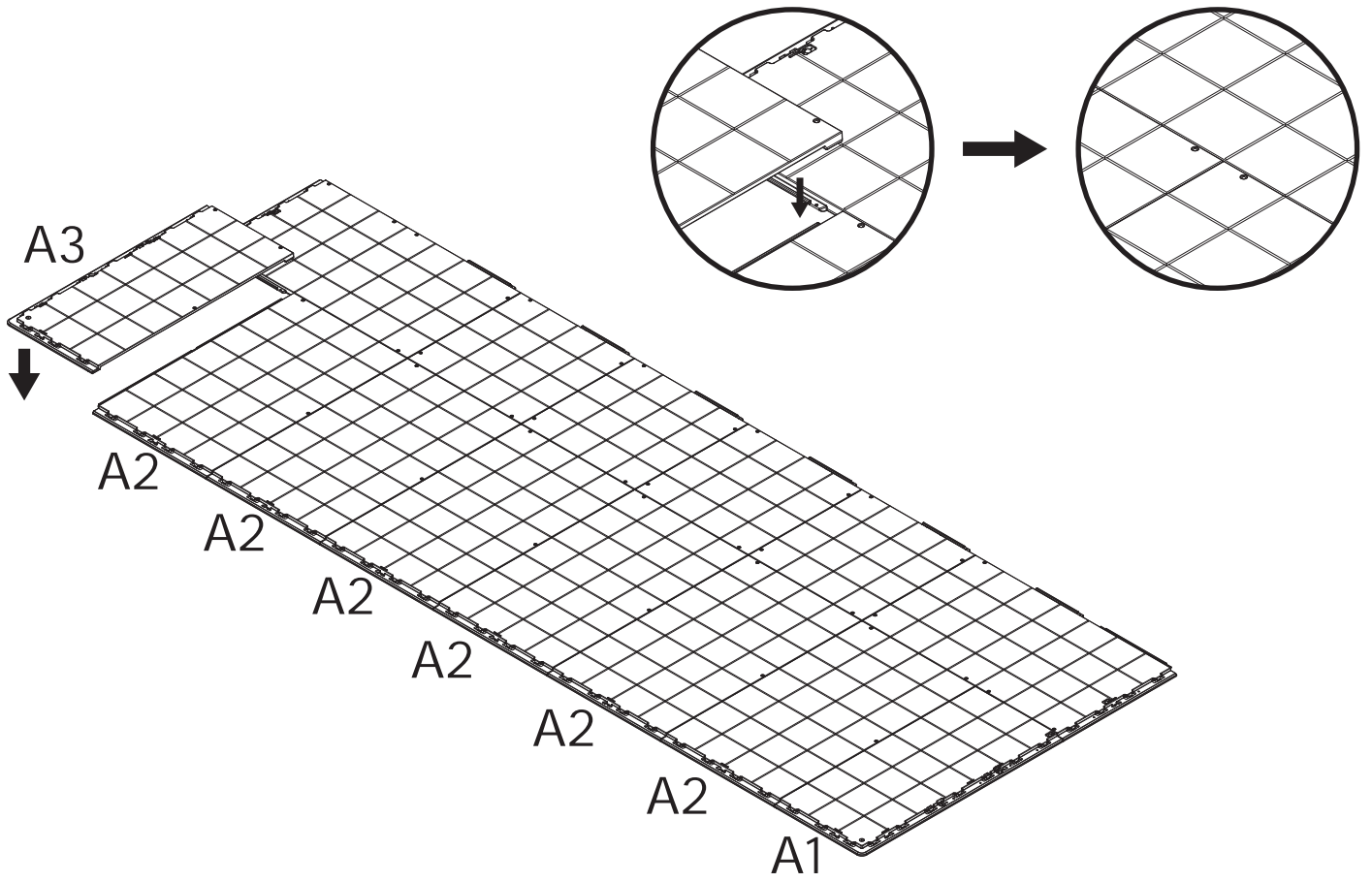


STEP 6

Refer to STEP 5 to Install 6 A2s in sequence.

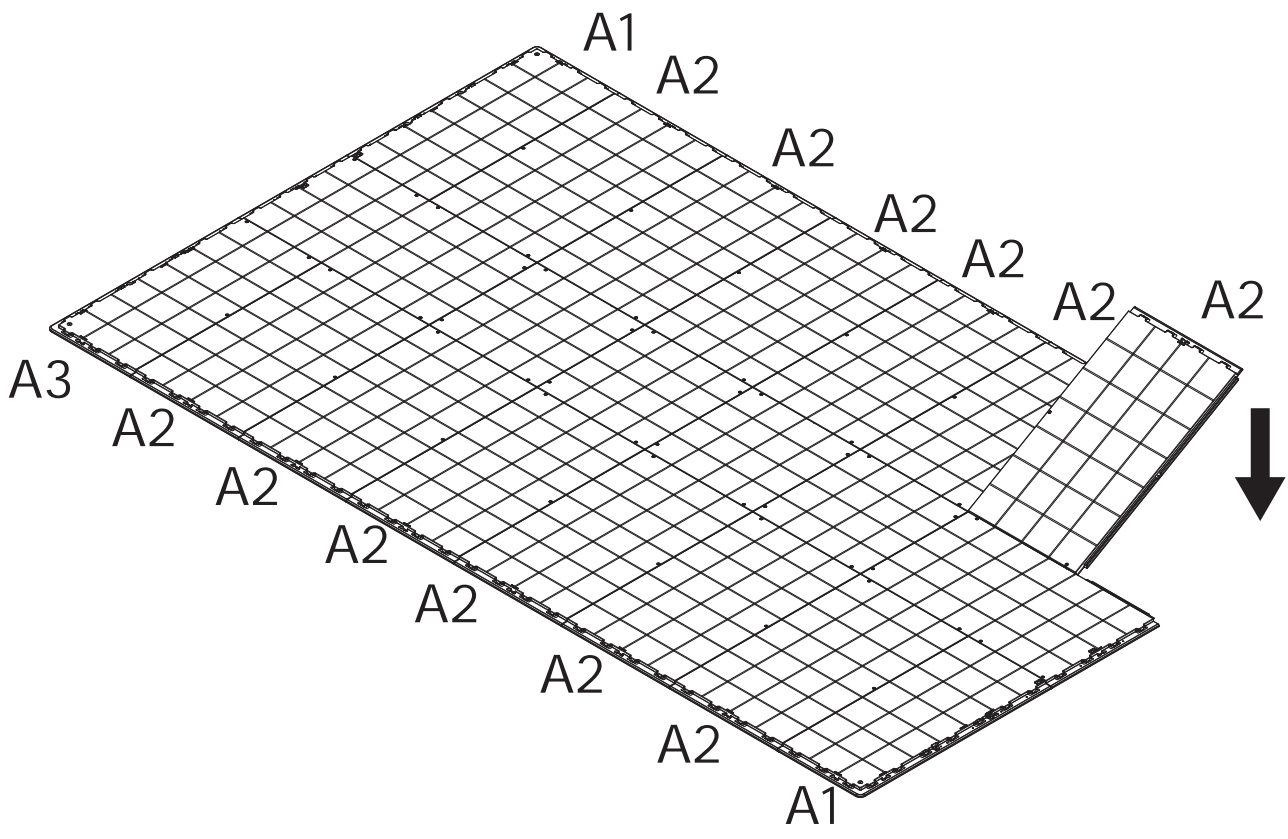


STEP 7

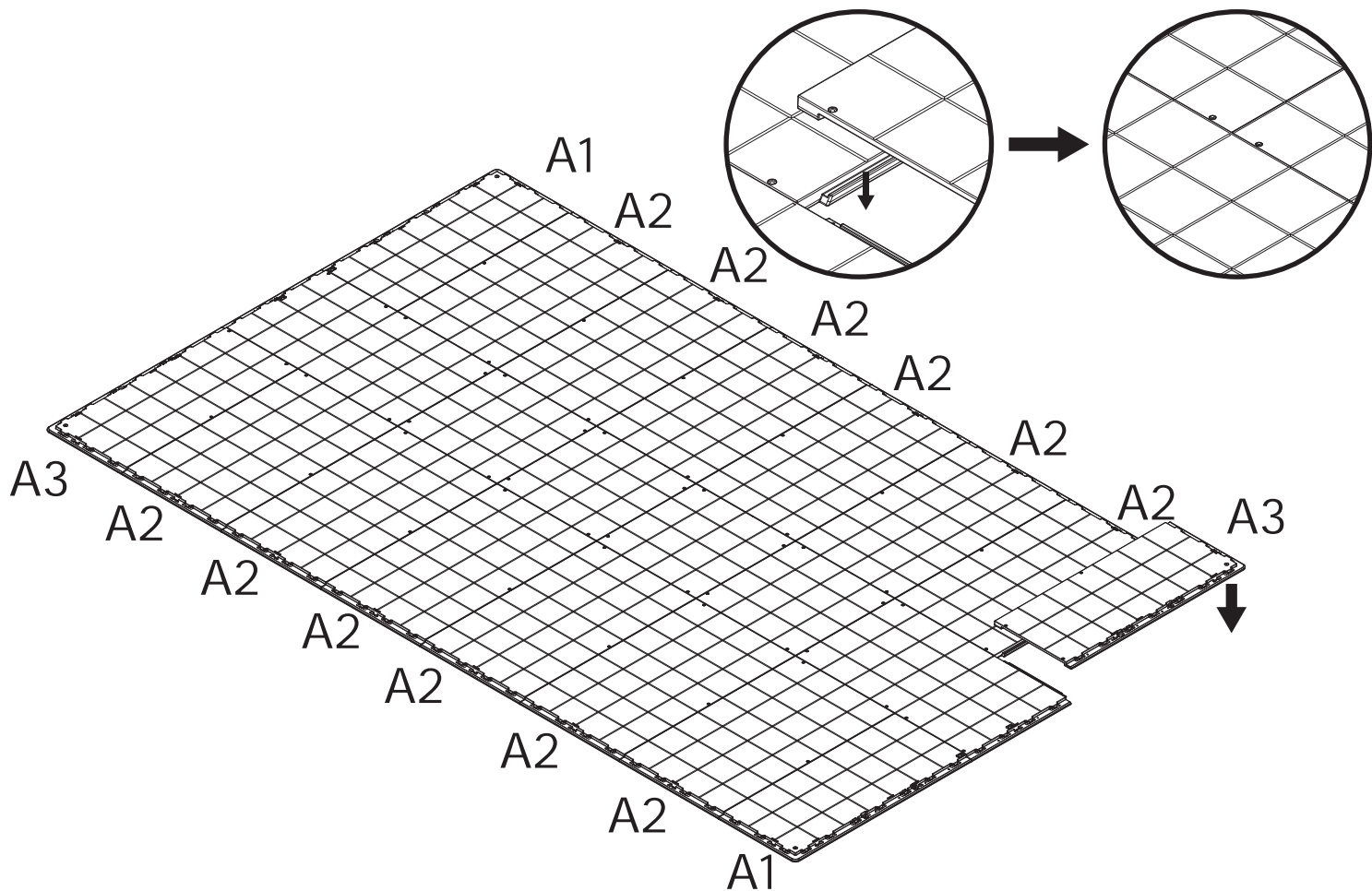


STEP 8

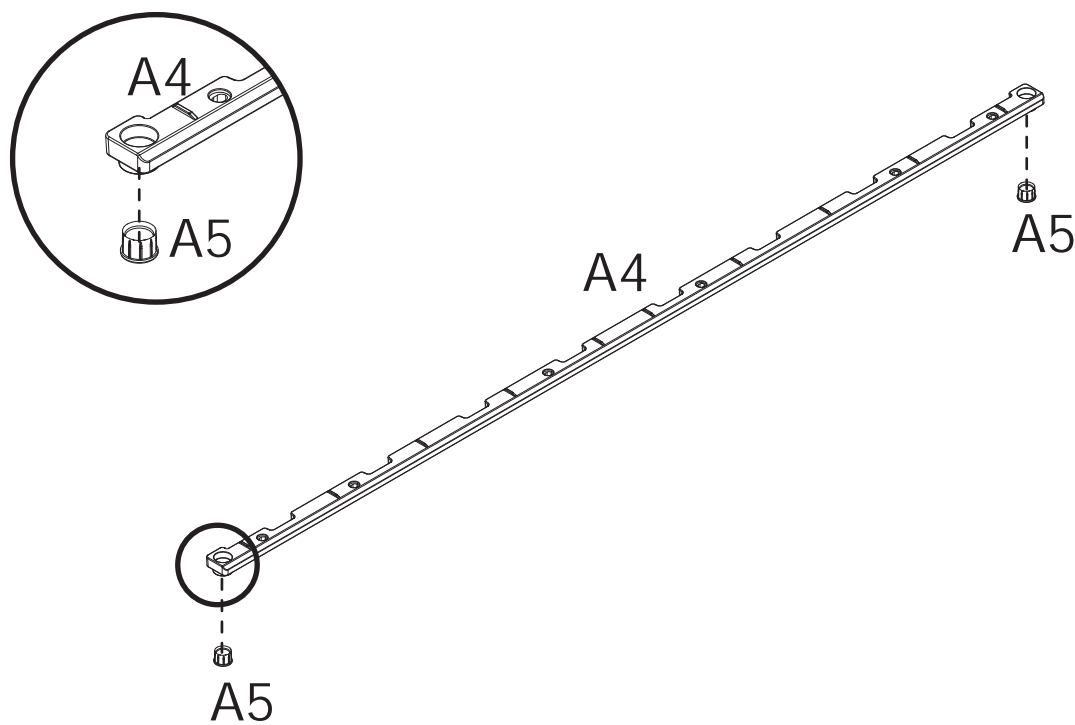
Refer to STEP 5 to Install A1 and 6 A2s in sequence.



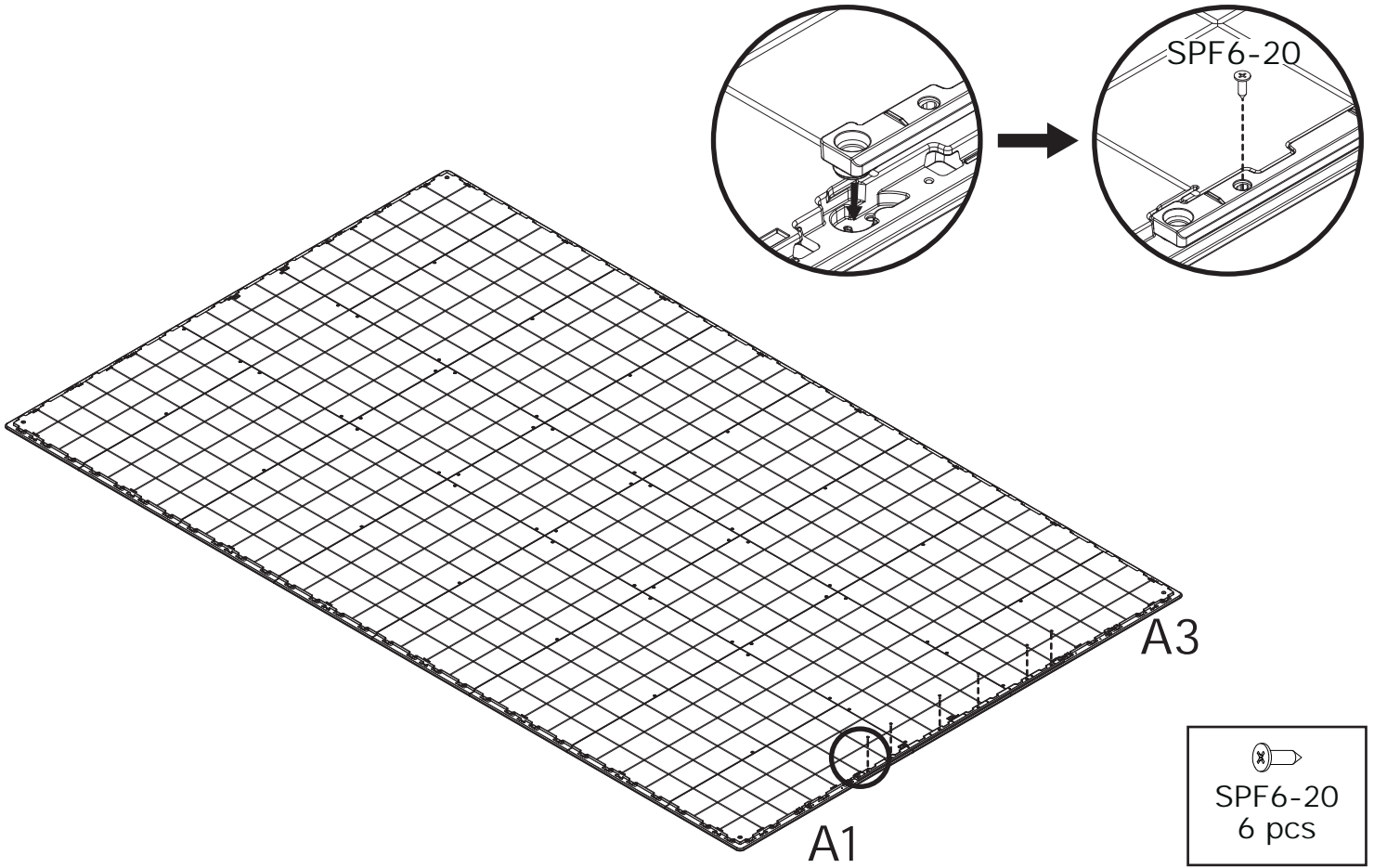
STEP 9



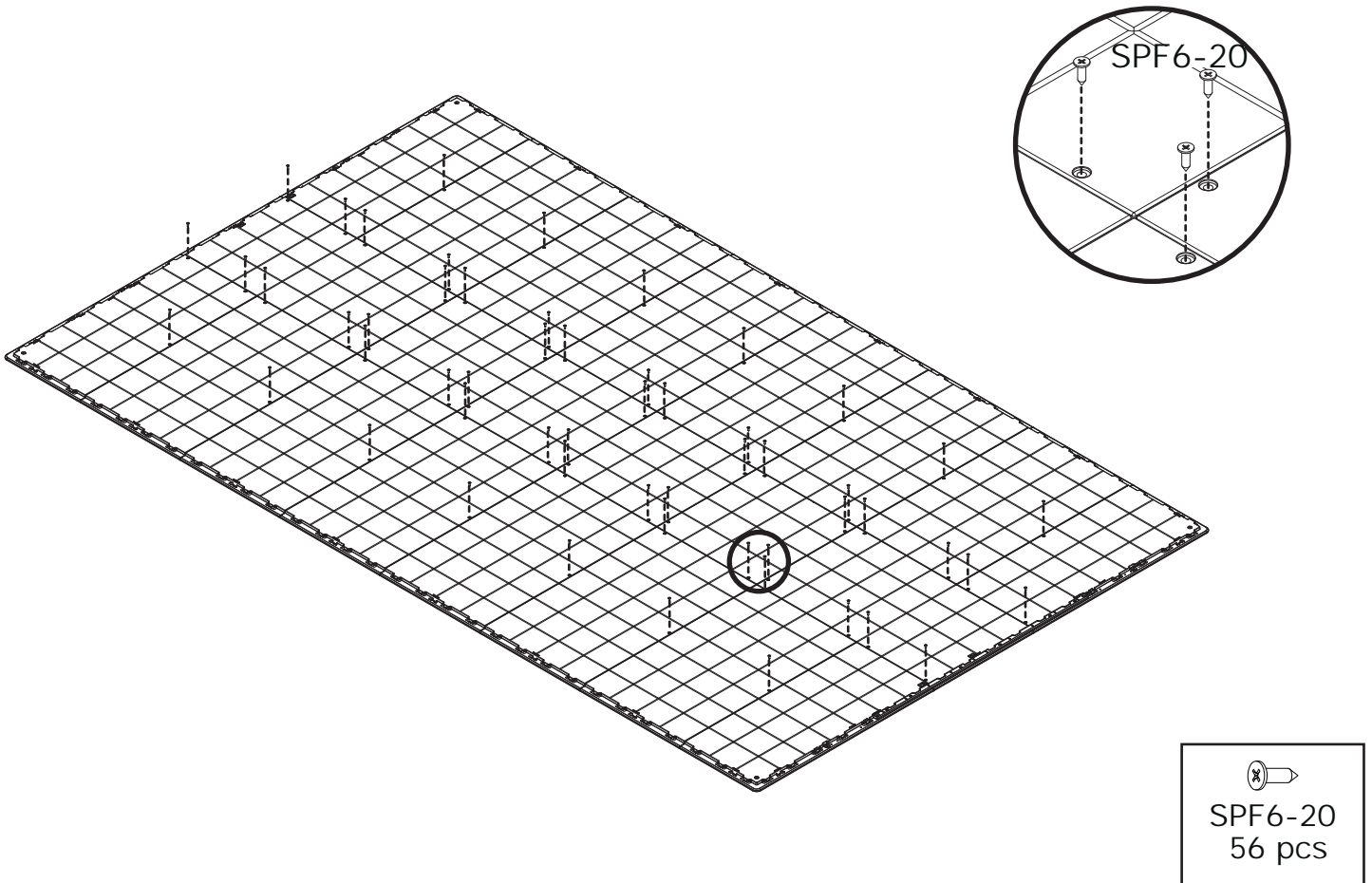
STEP 10



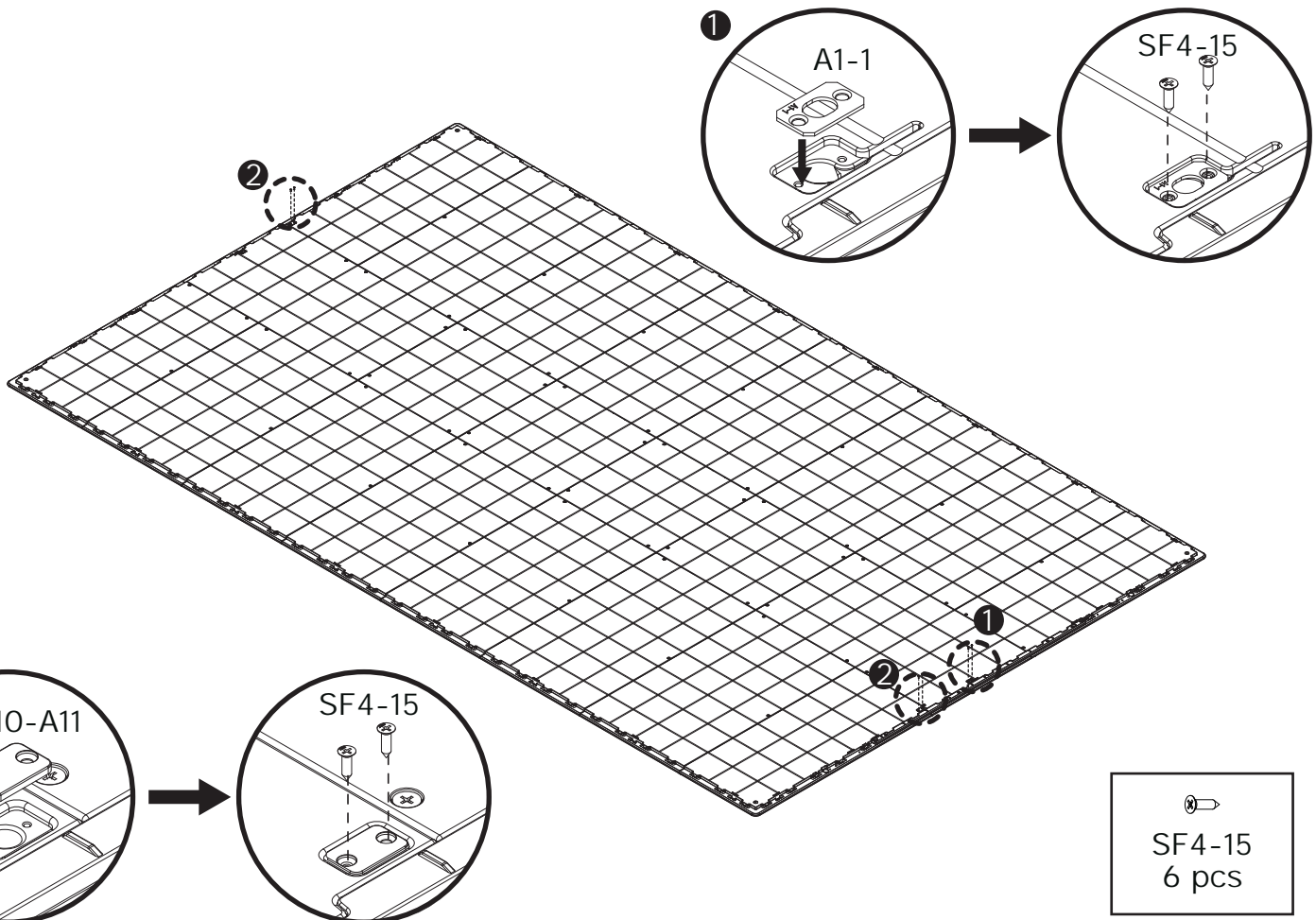
STEP 11



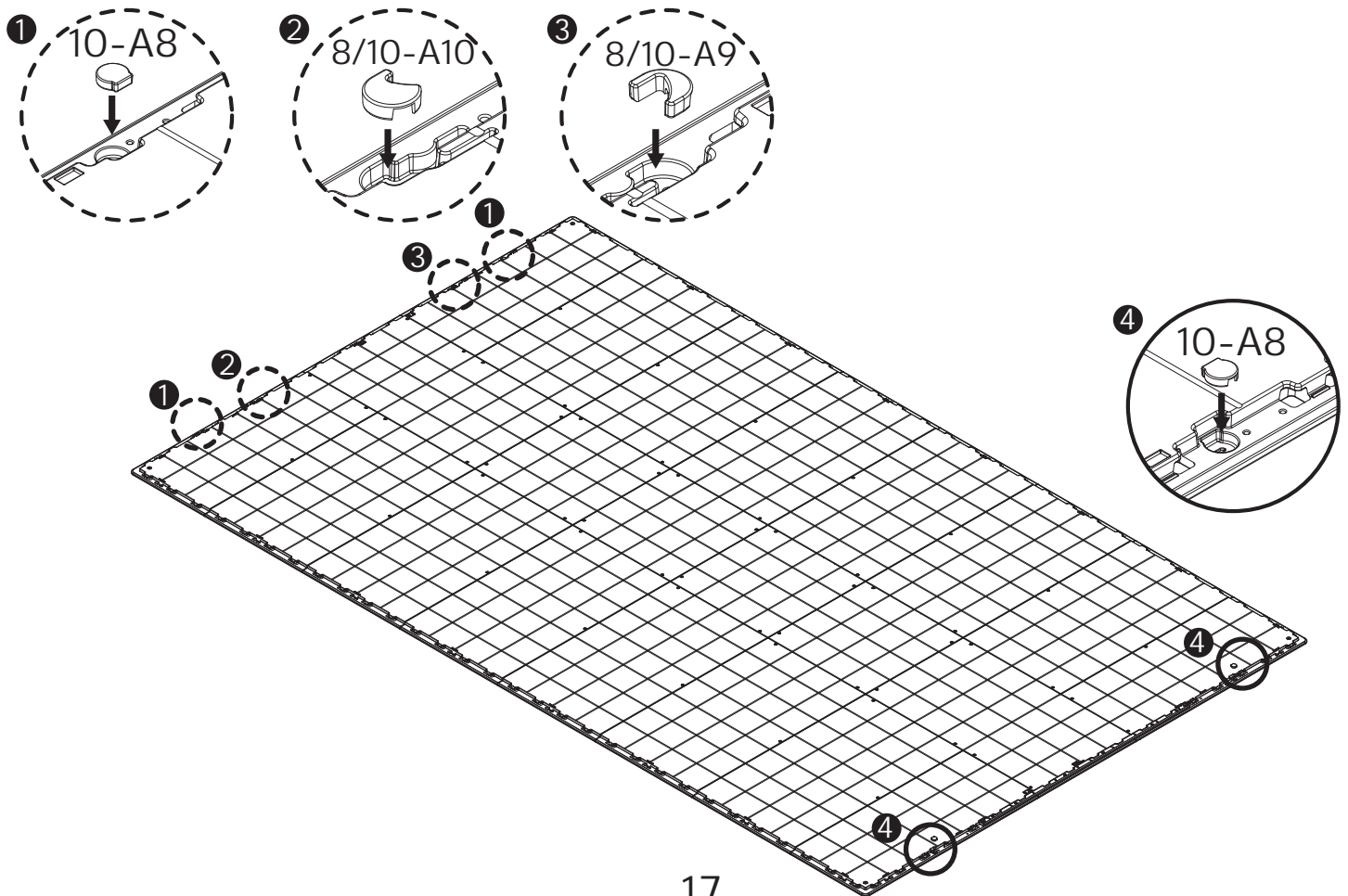
STEP 12



STEP 13

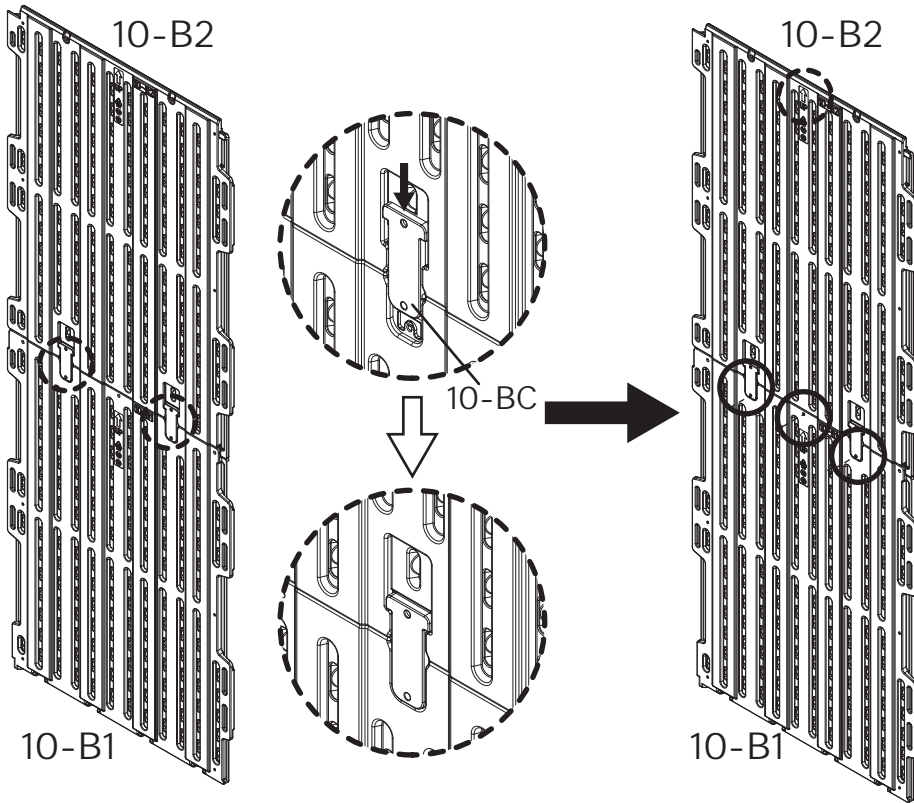


STEP 14

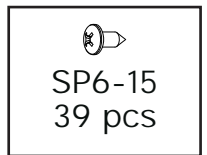


STEP 15

Please note the direction of the arrow when installing.

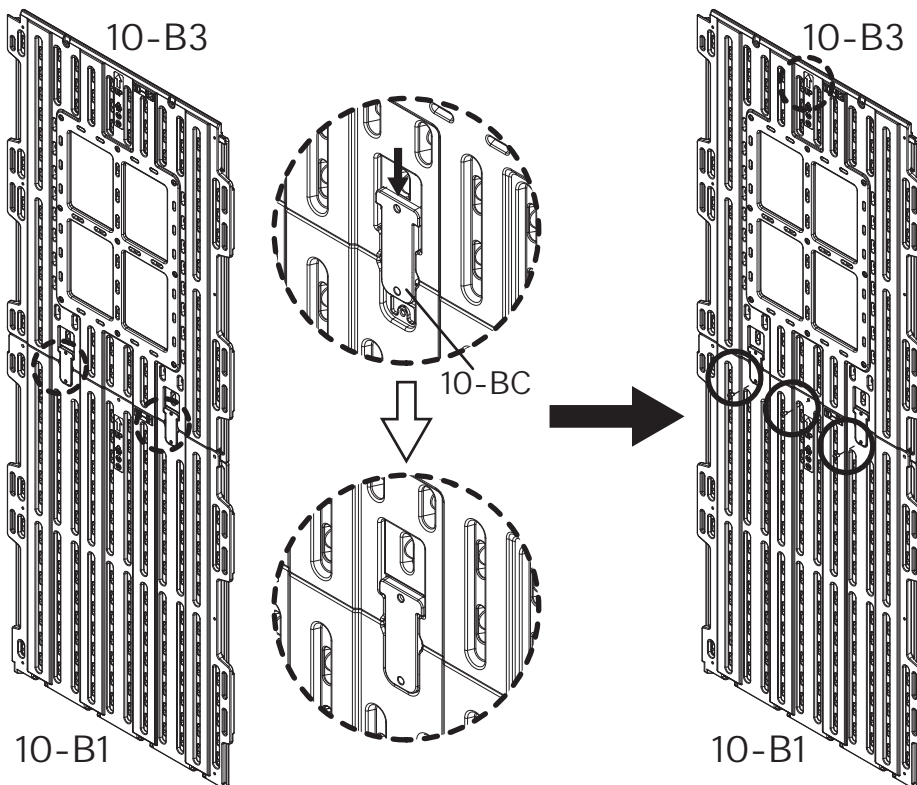


x13

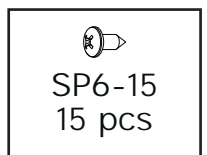


STEP 16

Please note the direction of the arrow when installing.

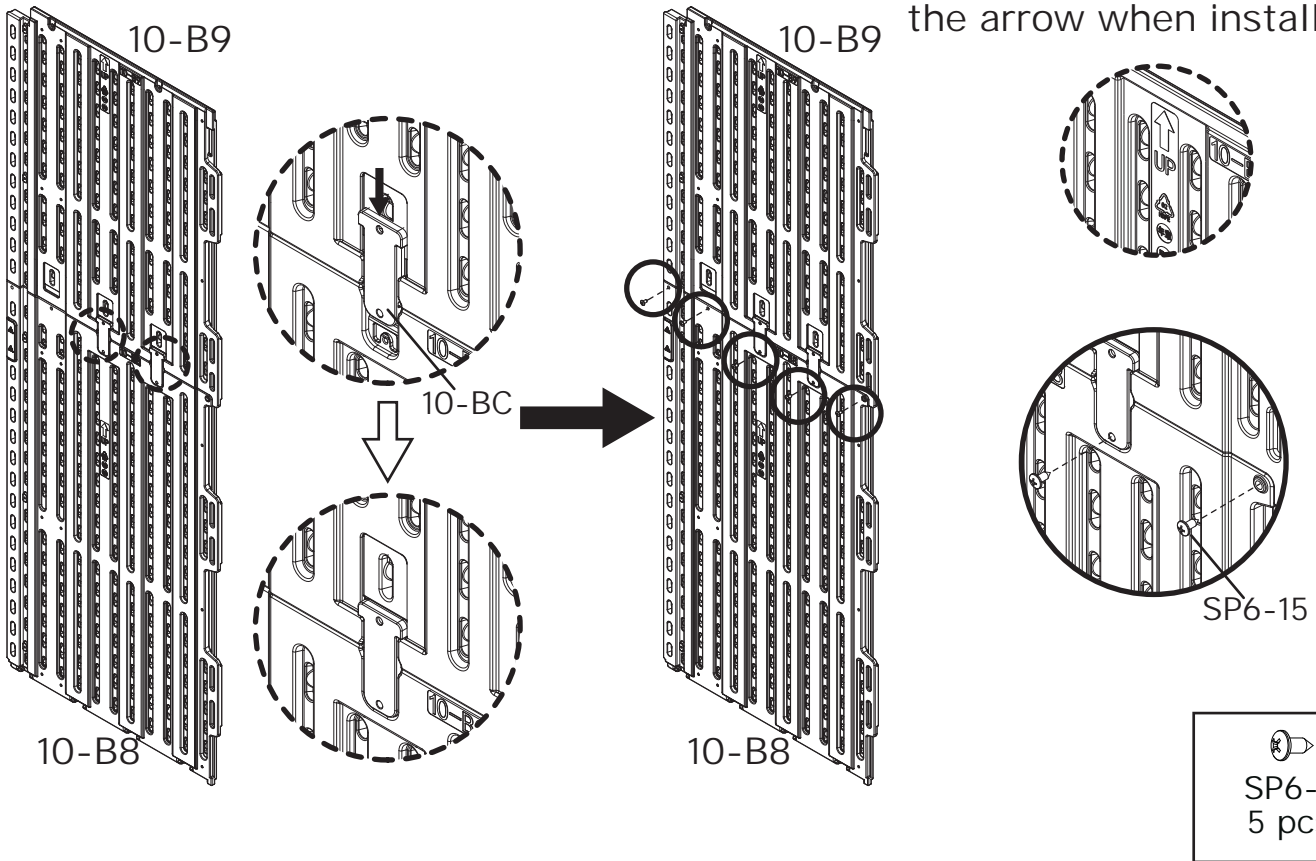


x5



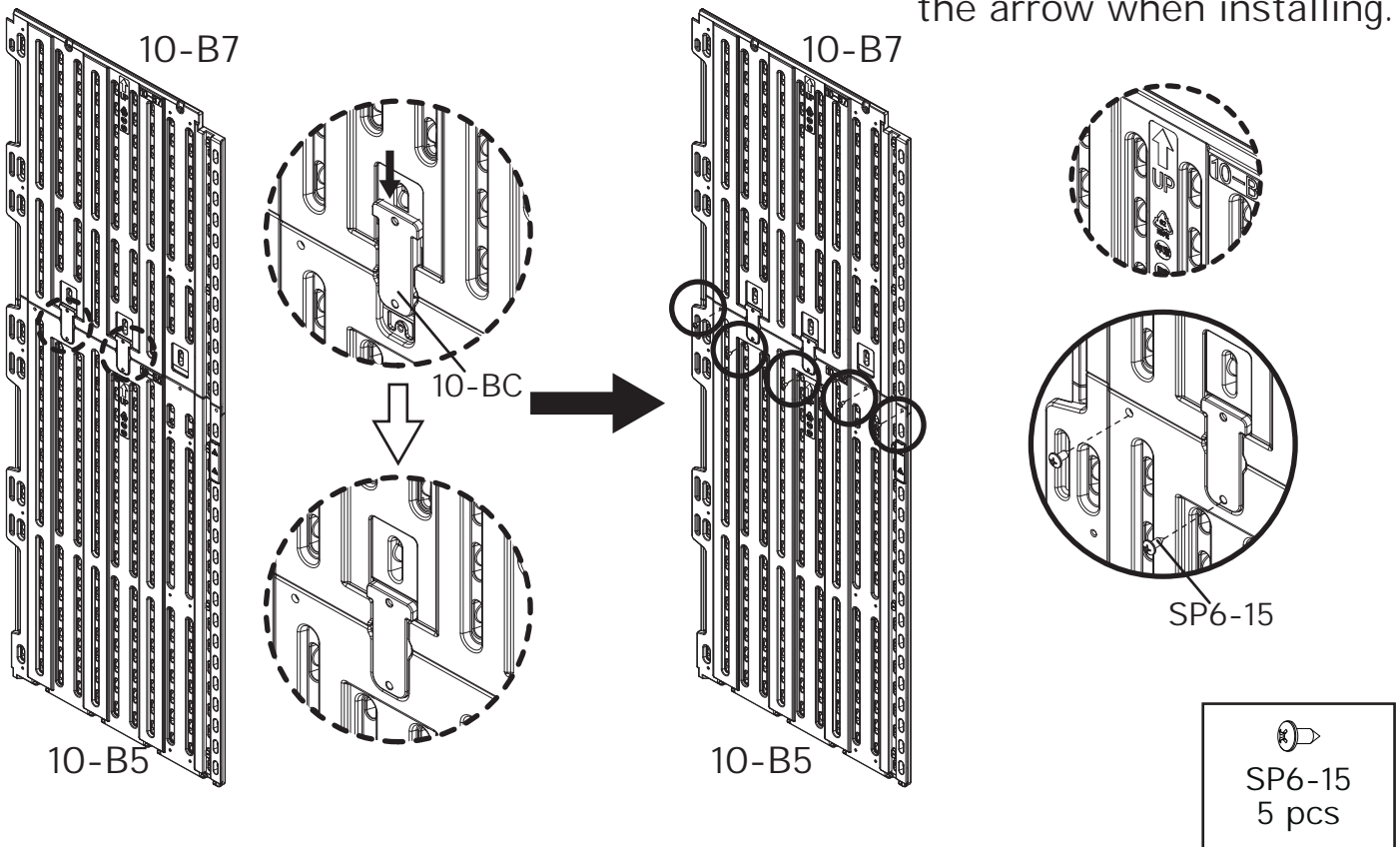
STEP 17

Please note the direction of the arrow when installing.



STEP 18

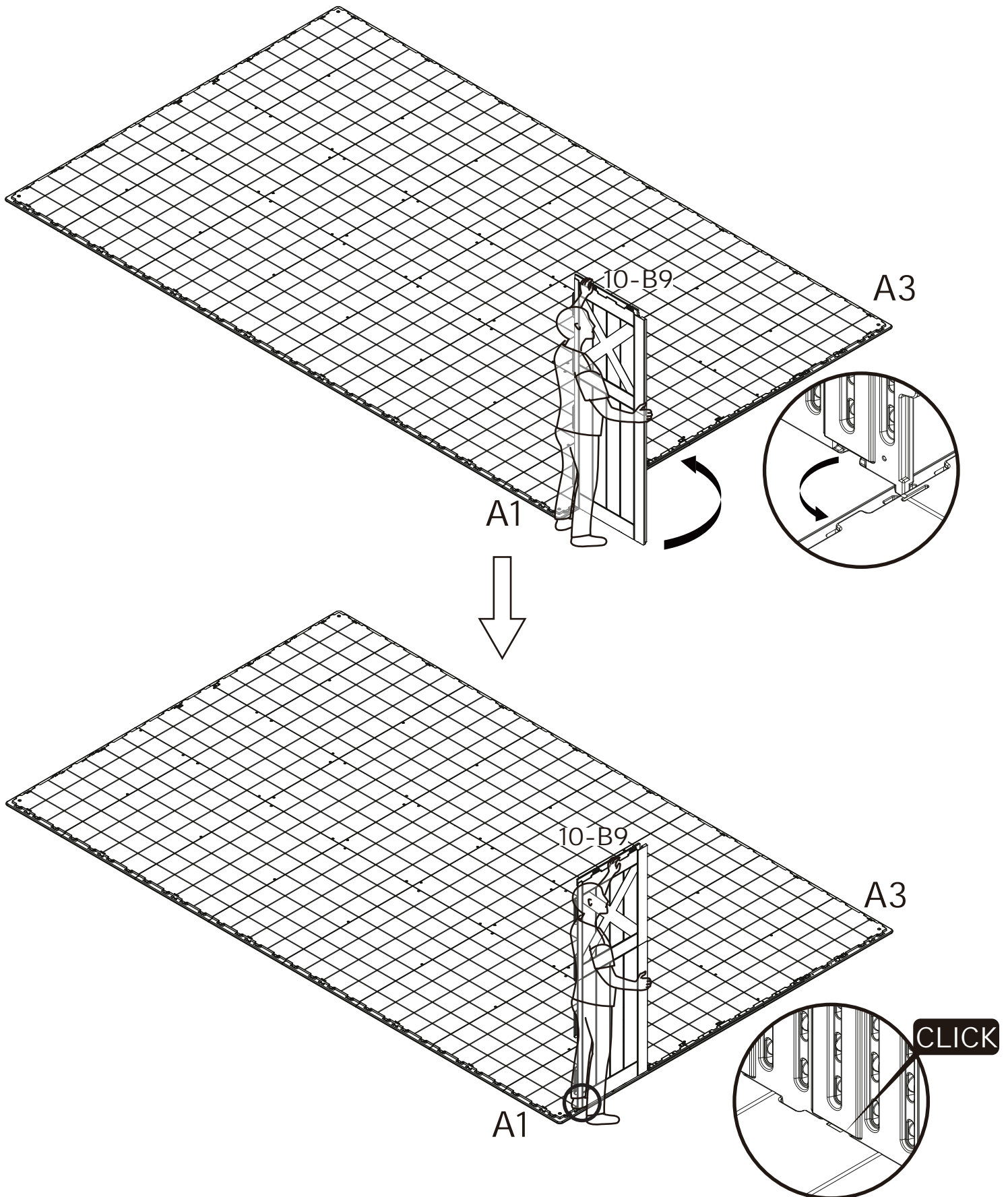
Please note the direction of the arrow when installing.



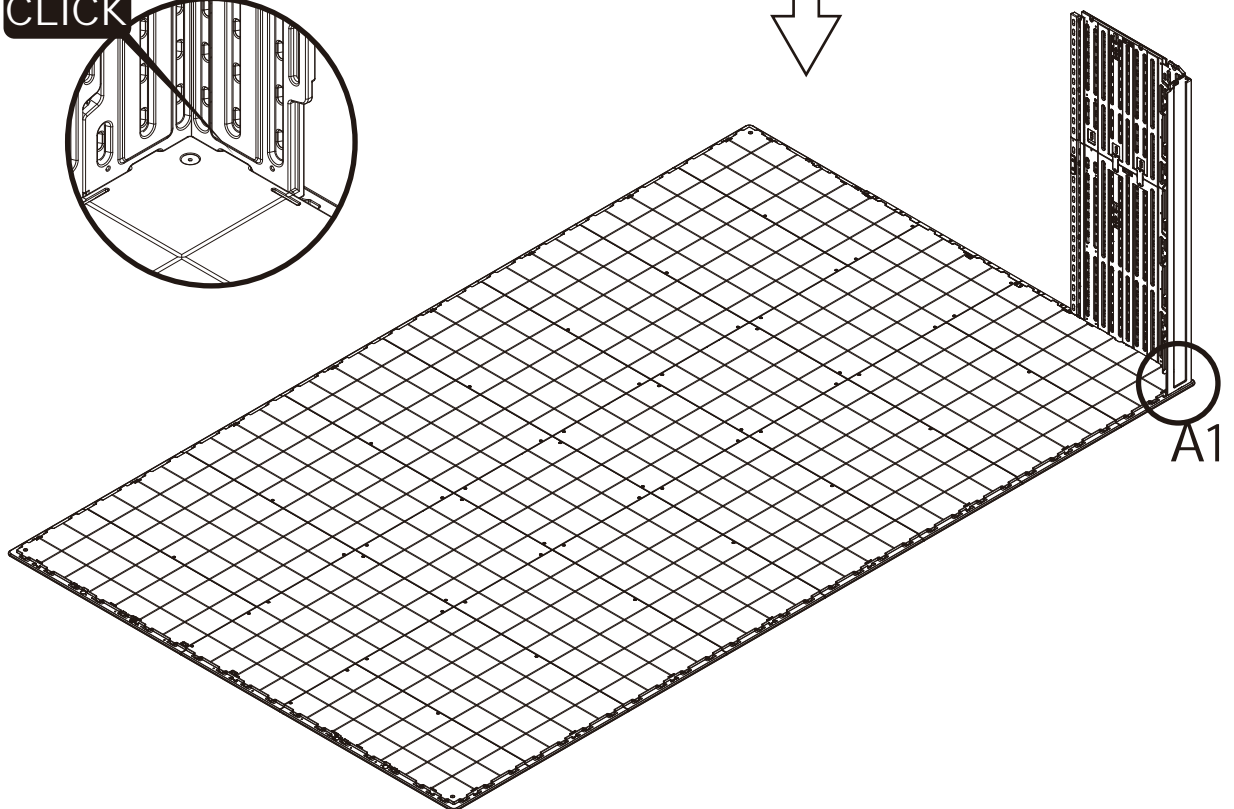
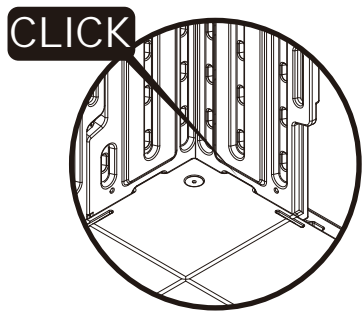
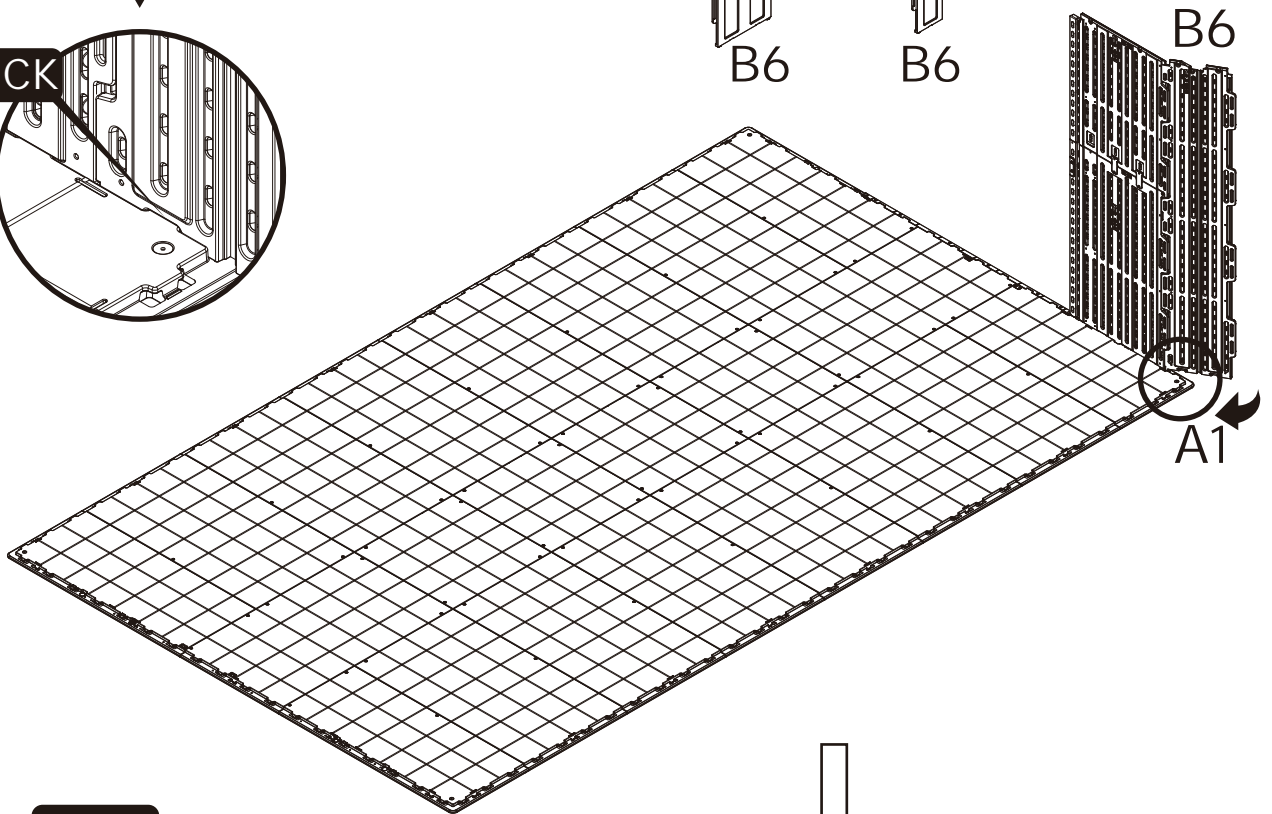
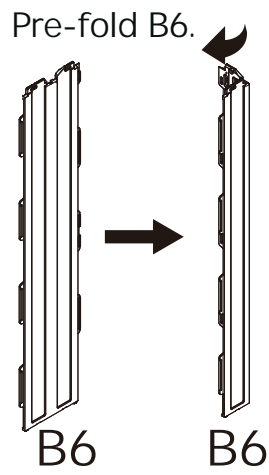
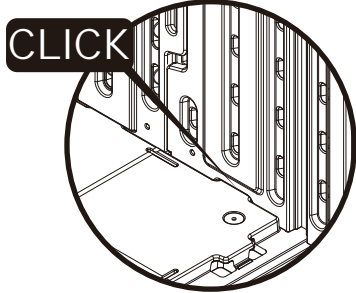
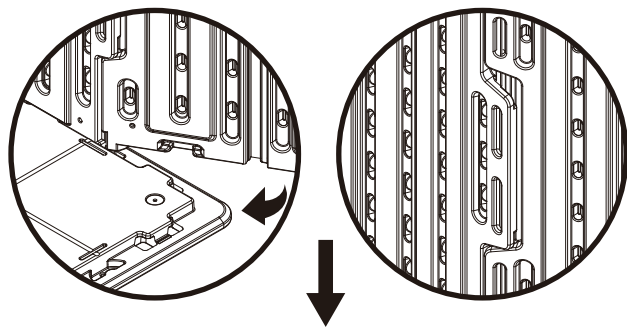
STEP 19

Place the assembled 10-B9 and 10-B8 at the corresponding position on the floor and rotate them into the groove.

Then Press 10-B9 to make the bottom of 10-B8 align with the floor, kick 10-B8 and snap it into place.



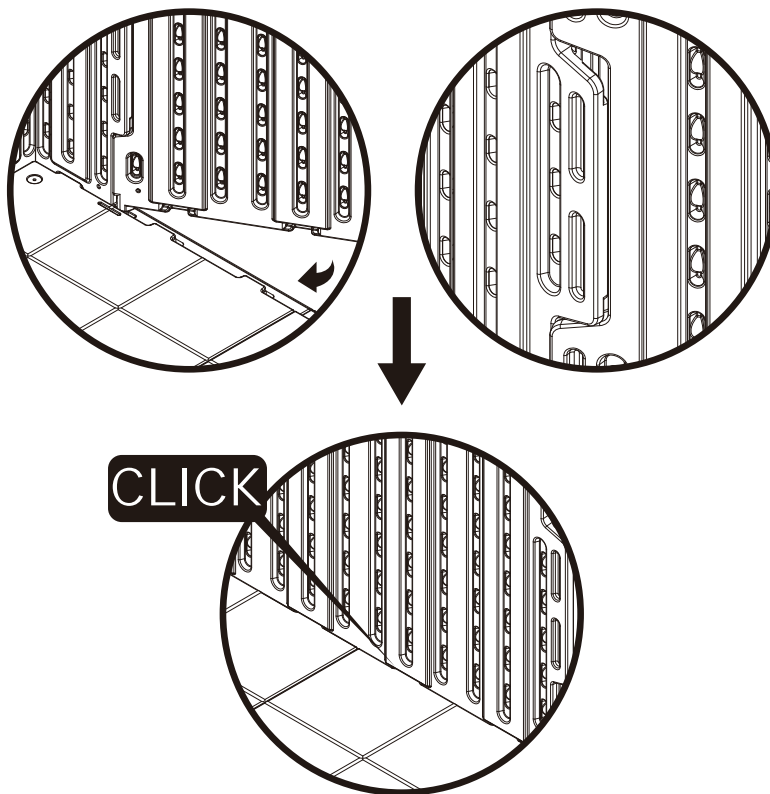
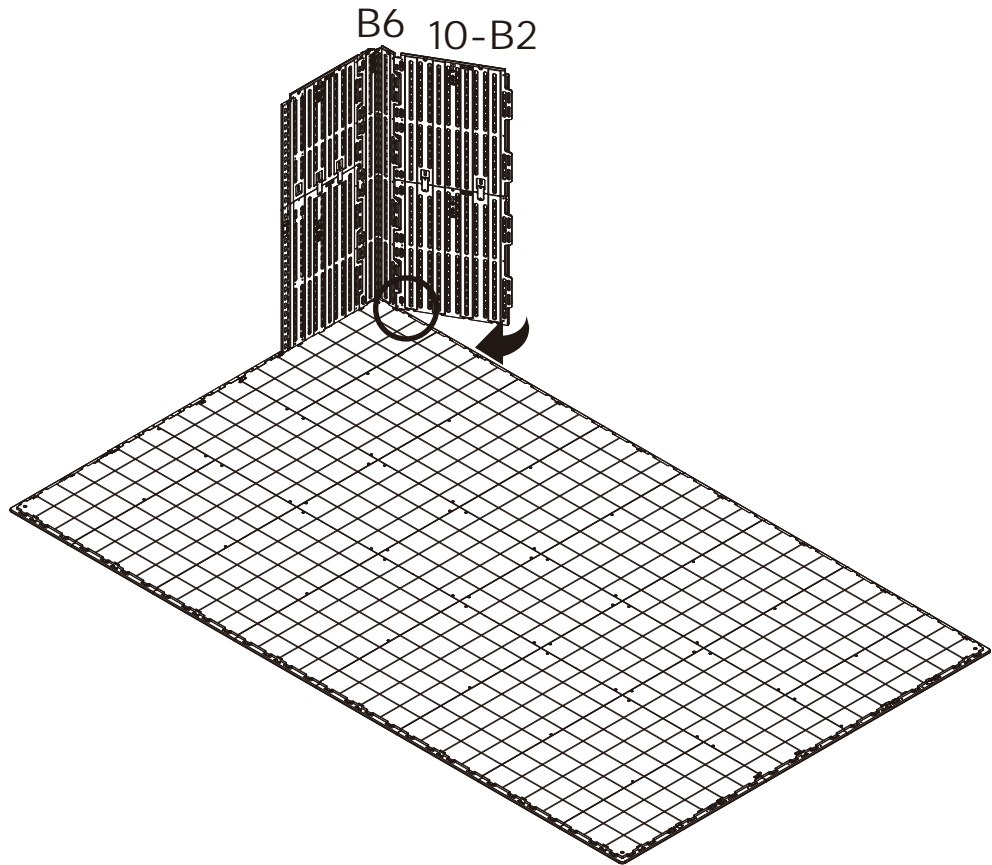
STEP 20



STEP 21

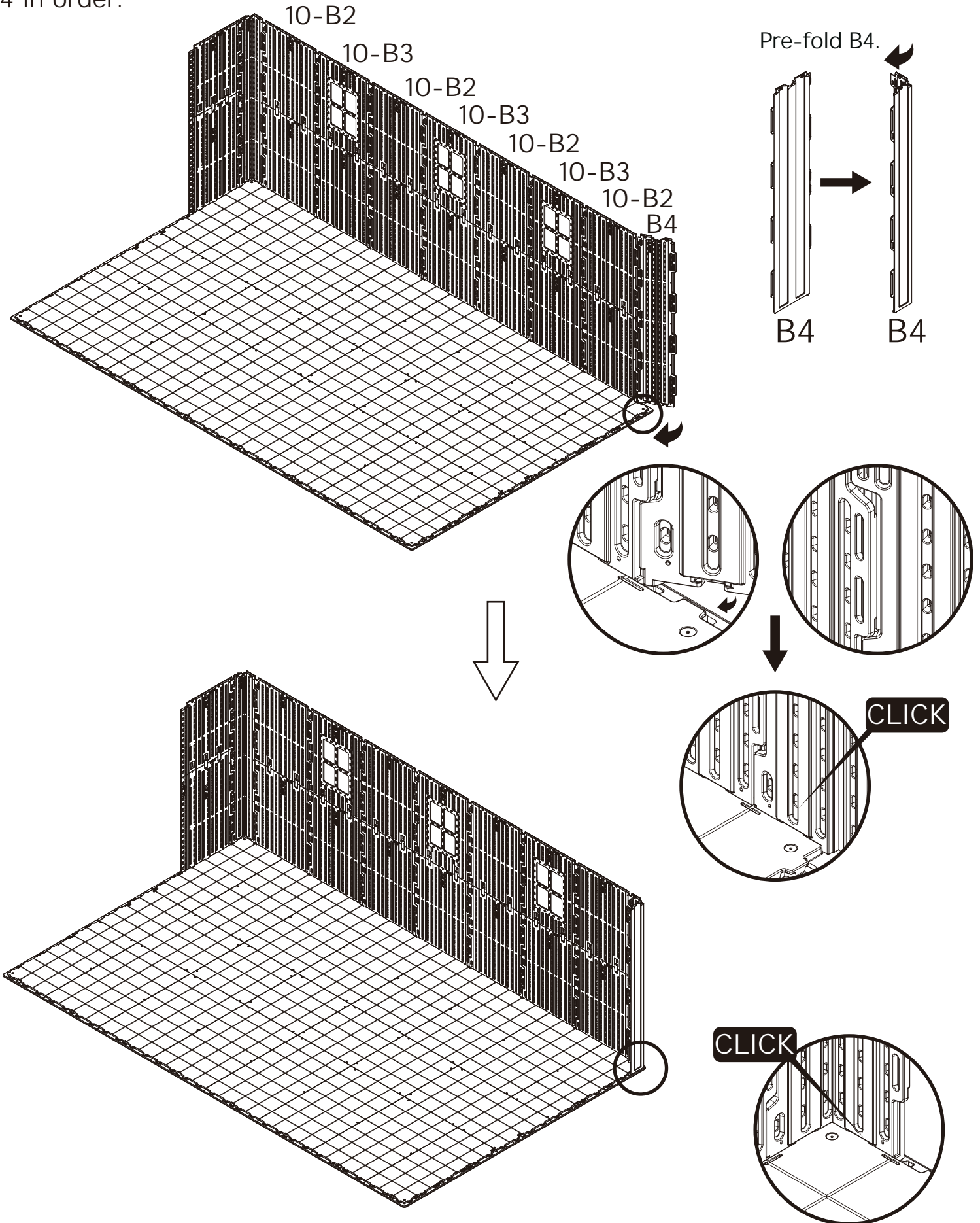
Place the assembled 10-B2 and 10-B1 at the corresponding position on the floor and rotate them into the groove.

Then press 10-B2 to make the bottom of 10-B1 align with the floor, kick 10-B1 and snap it into place.



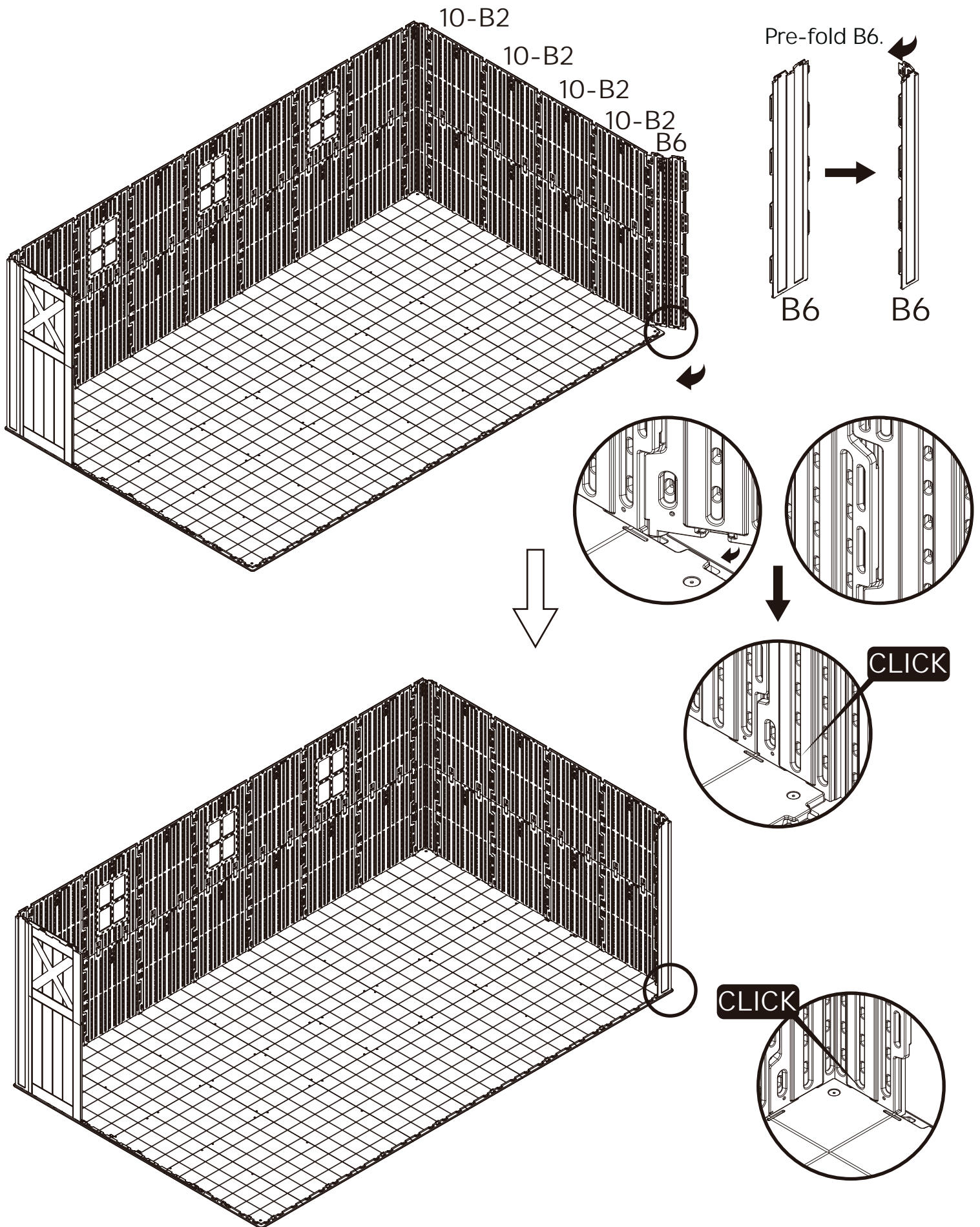
STEP 22

Please install the assembled 10-B2,10-B3,10-B2,10-B3,10-B2,10-B3,10-B2 and B4 in order.



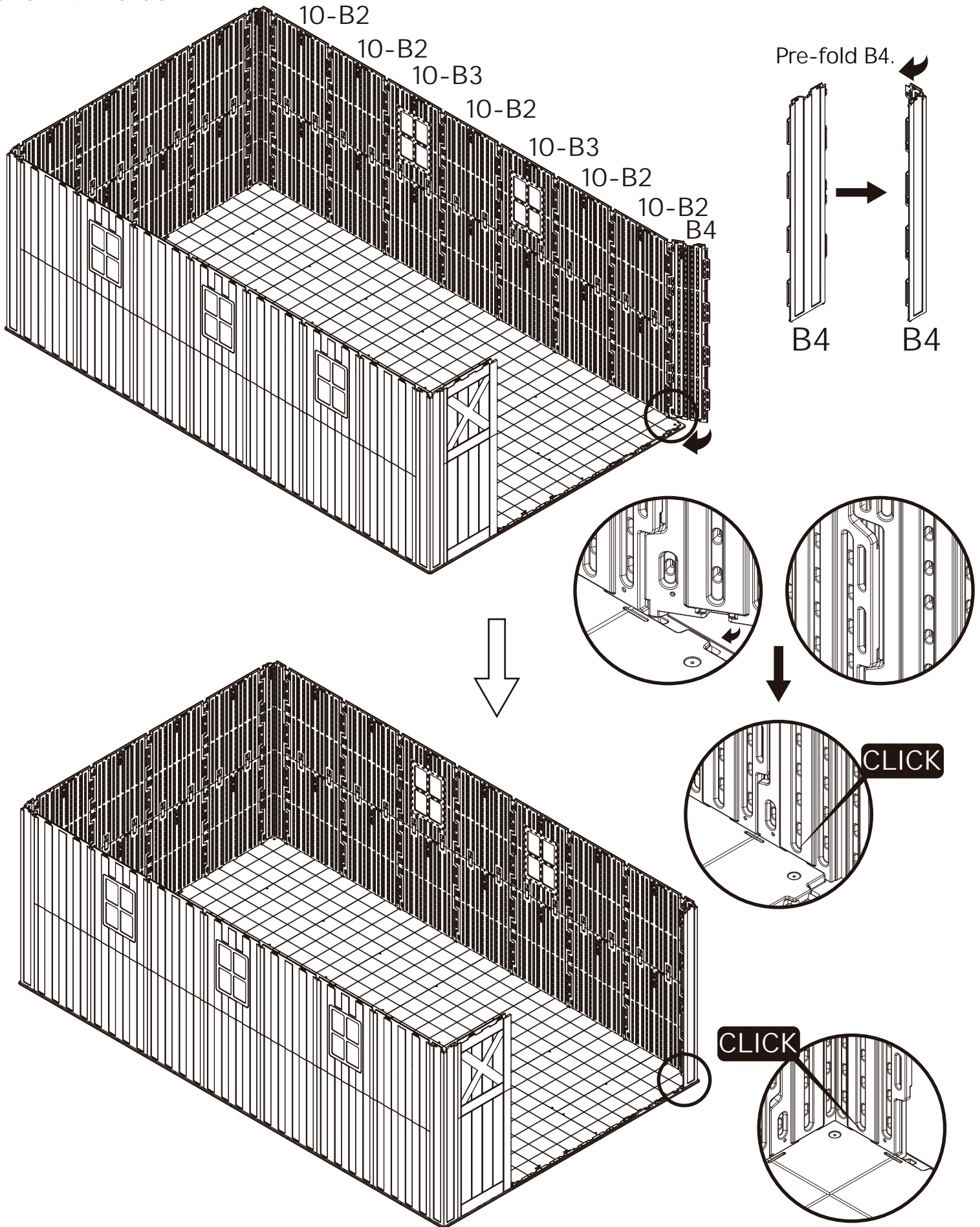
STEP 23

Please Install assembled 10-B2, 10-B2,10-B2, 10-B2 and B6 in order.

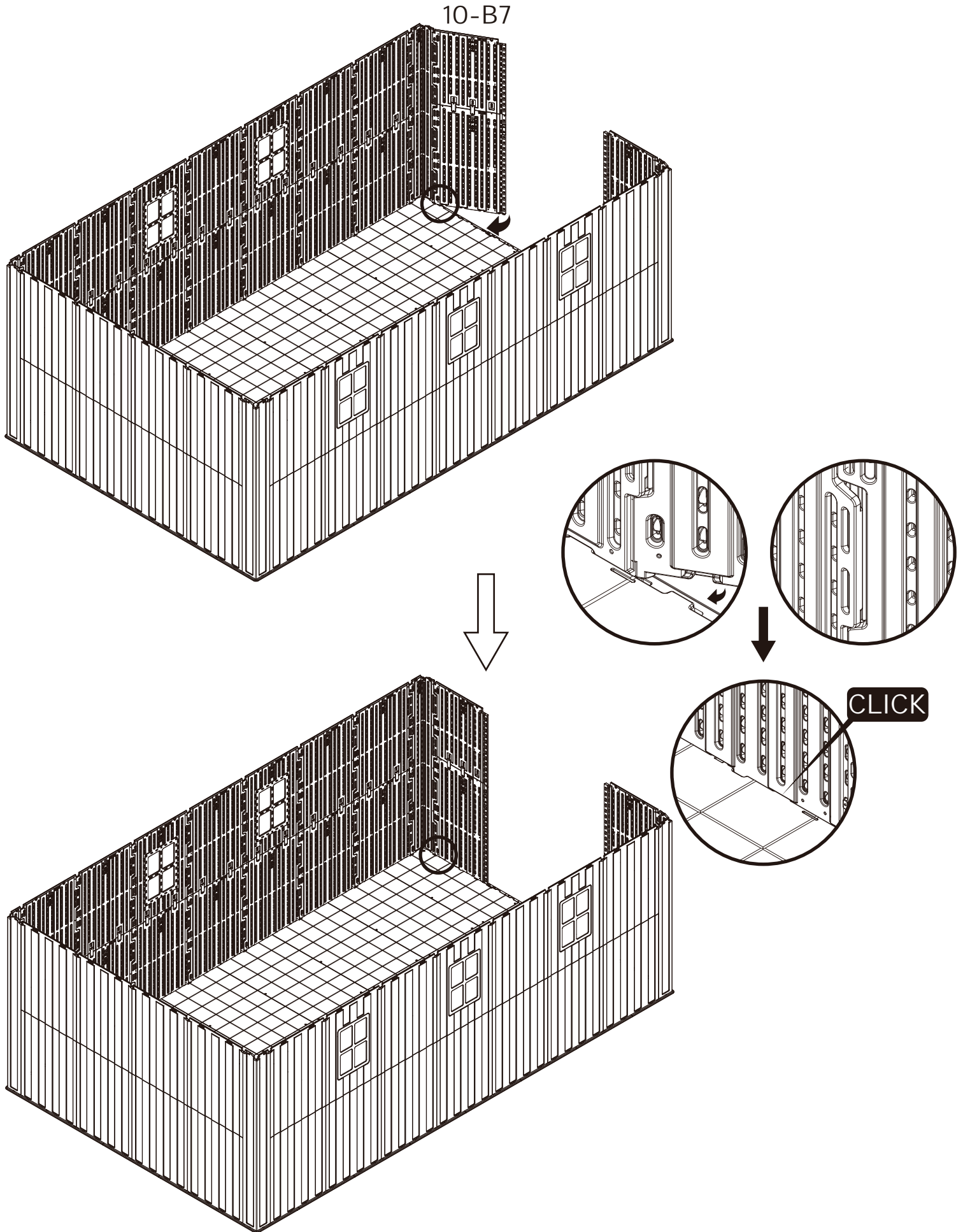


STEP 24

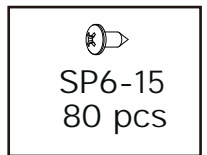
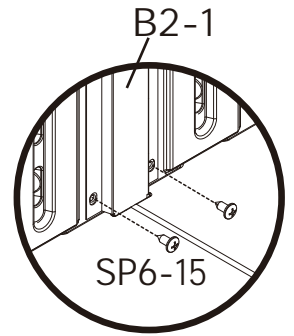
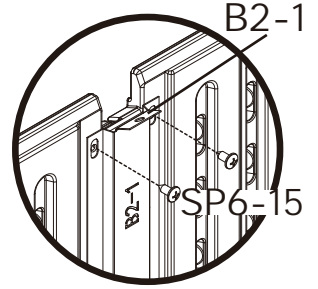
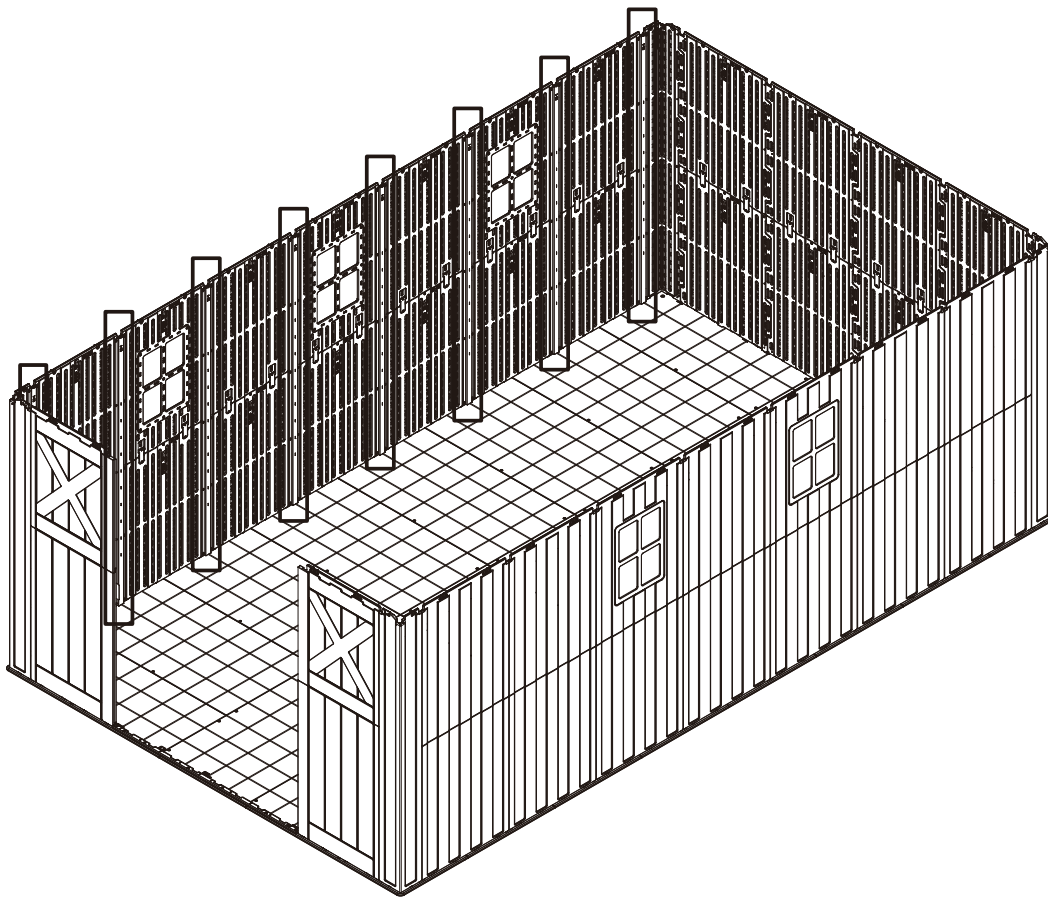
Please install the assembled 10-B2,10-B2,10-B3,10-B2,10-B3,10-B2,10-B2 and B4 in order.



STEP 25

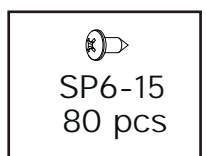
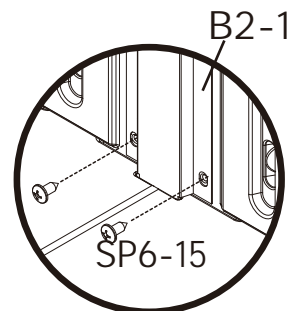
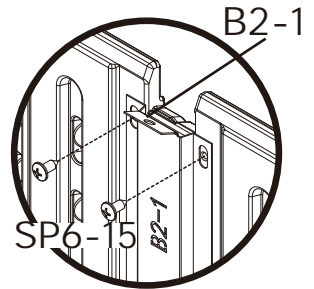
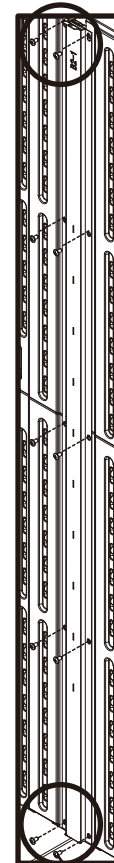
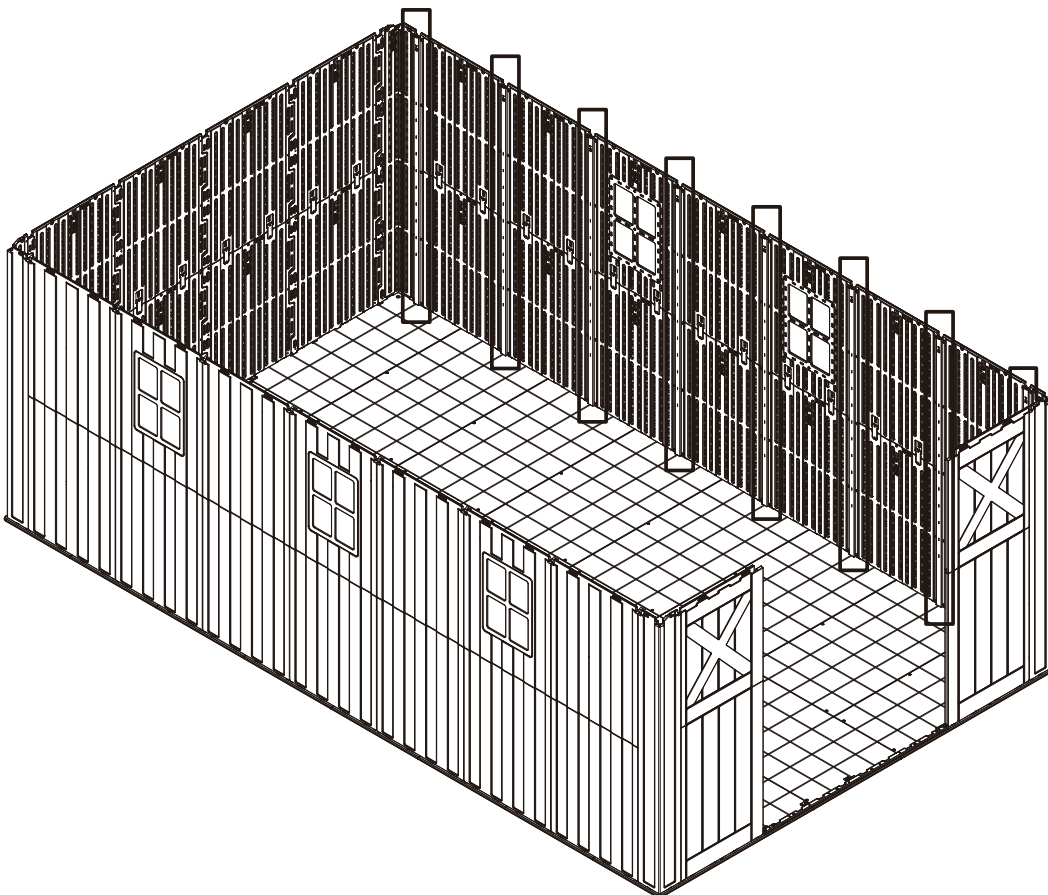


STEP 26



SP6-15

STEP 27



SP6-15