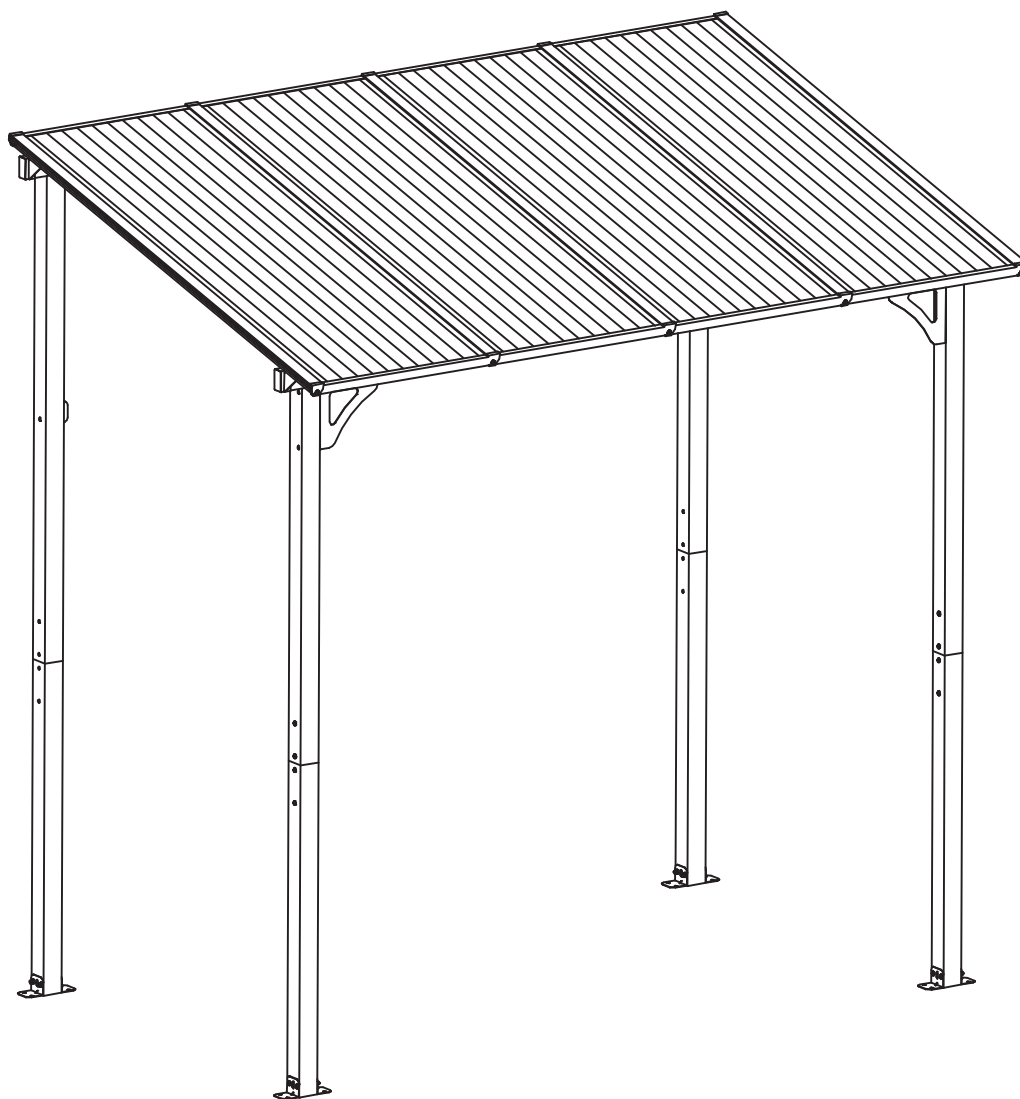


58 Simple Pitched Sun Canopy

If you have any questions about the Simple Pitched Sun Canopy, please feel free to contact us.
Customer Service Email: Service@alaulm.com



SKU:P25102-D1

IMPORTANT

PLEASE READ BEFORE YOU COMMENCE ASSEMBLY

Follow the guidelines in this user guide to ensure correct
assembly and care for this product.

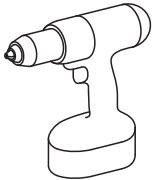
Catalog

Notice	2
Specifications	4
Part List	5
Screw Set	5
Installation Steps	6

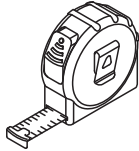
NOTICE



Note:Please prepare below tools before installation.



Pistol Drill



Tape Measure



Ladder



Screw Driver



Gloves

Warning

We recommend two adults to complete the installation. Two adults installed together will make the installation process easier and safer.

The gloves must be carried to prevent hand cuts during installation.

Take care when using power tools near water the use of a residual current device (RCD) is advised.

Please use the electric driver carefully during screwing to prevent the screw from slipping and hurting your hand.(We recommend that beginners use a manual screwdriver for installation.)

Be careful not to fall when installing the roof. Please steady the ladder and make sure the product placed on a flat ground.

PLEASE KEEP THIS INSTRUCTION FOR FUTURE REFERENCE.



PLEASE RETAIN THESE INSTRUCTIONS FOR FUTURE REFERENCE.

Dear Customer,

Thank you for shopping with us!

This product consists of one box packaging.

When you receive the product, please make sure that all the parts are intact.

Then please browse the entire installation manual before assembling.

If any problem occurs unsatisfactorily as follows :

A.The outer box is damaged

B.The product is damaged / bent / cracked while you open the box

C.The parts / accessories / assembly tools are missing

D.The product is hard to assemble

E. The instructions are not clear and can not be referred

F.The product has functional problems

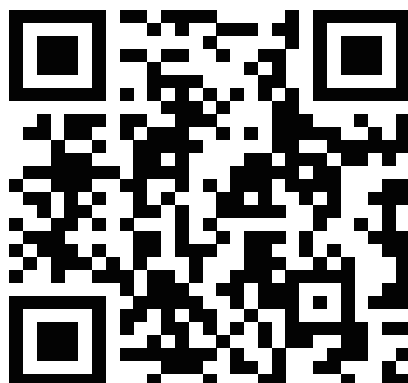
G.Other aspects that you are not satisfied with

H.Product stability has been tested: the product can withstand winds of approximately 40-60mph and a static pressure test of 6.5 lbs per square foot after correct installation and fixation(Snow accumulation of about 7 inches in thickness will not pose a threat to the product.)

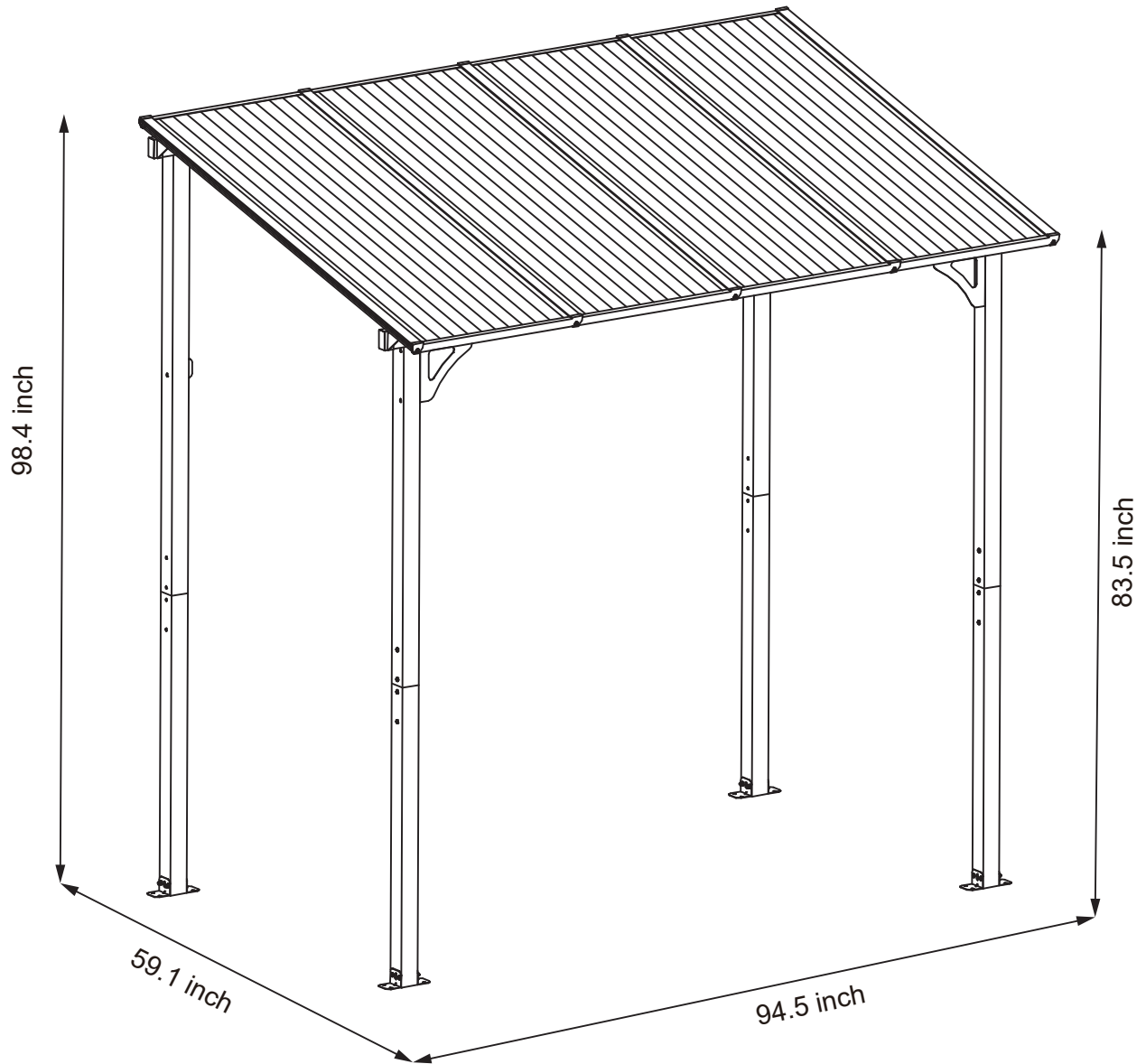
Please feel free to contact us for help. Our after-sales team service

(**Service@alaulm.com**) will reply within 24 hours

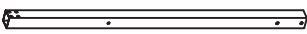
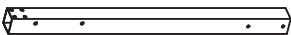
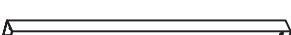




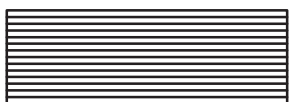
and will do our best to resolve the problem for you.


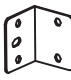







SPECIFICATIONS









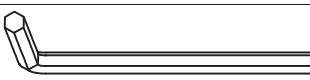
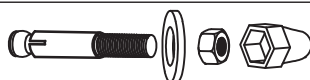
PART LIST

NO.	PART.	Qty.
A		2
B1		2
C		4
D		2
D3		2
E2		5
F		8
K2		4

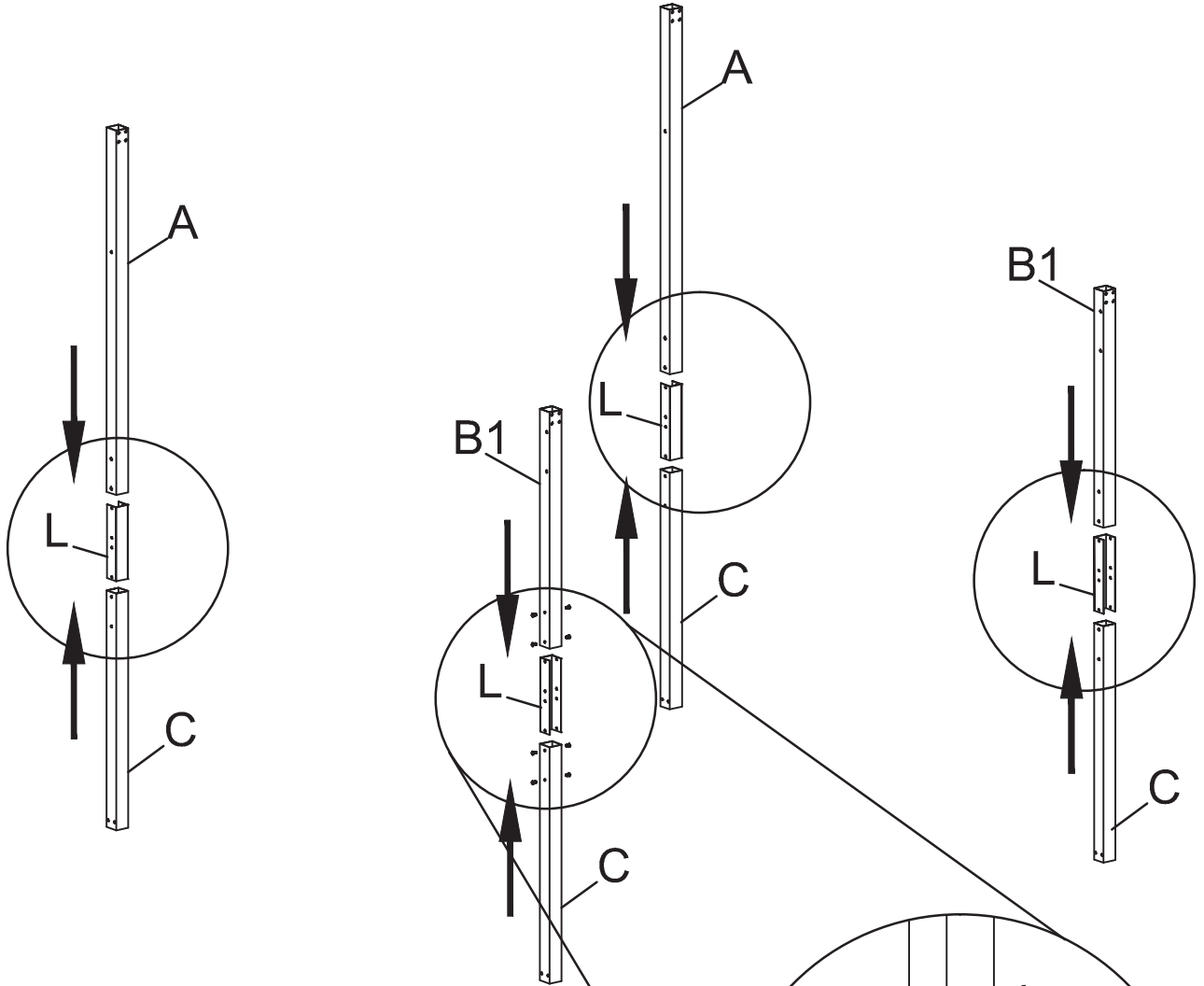
NO.	PART.	Qty.
L		4
M		10
N		2
O		1
P		1
Q		10
R		10

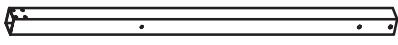
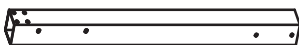
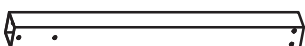


SCREW SET

NO.	PART.	Qty.
U	 Beam Plug	4
W1	 Bolt M6*15mm	108
W2	 Bolt M6*70mm	8
X1	 Screw Plug	8

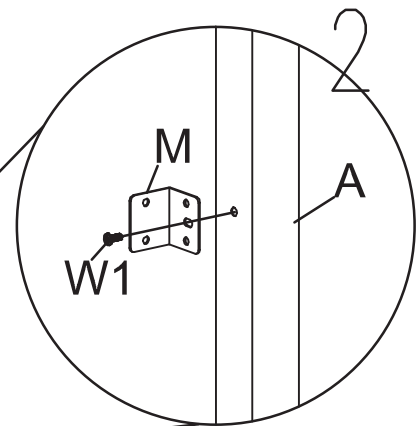
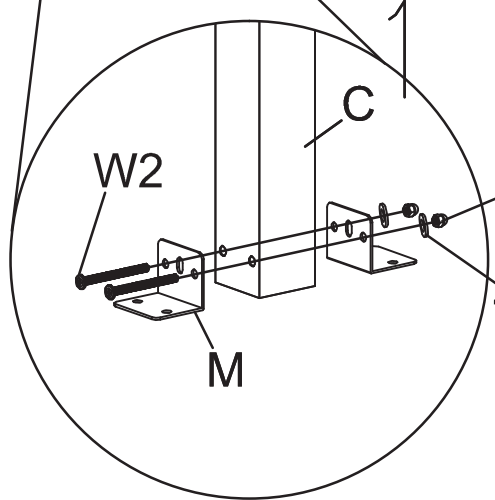
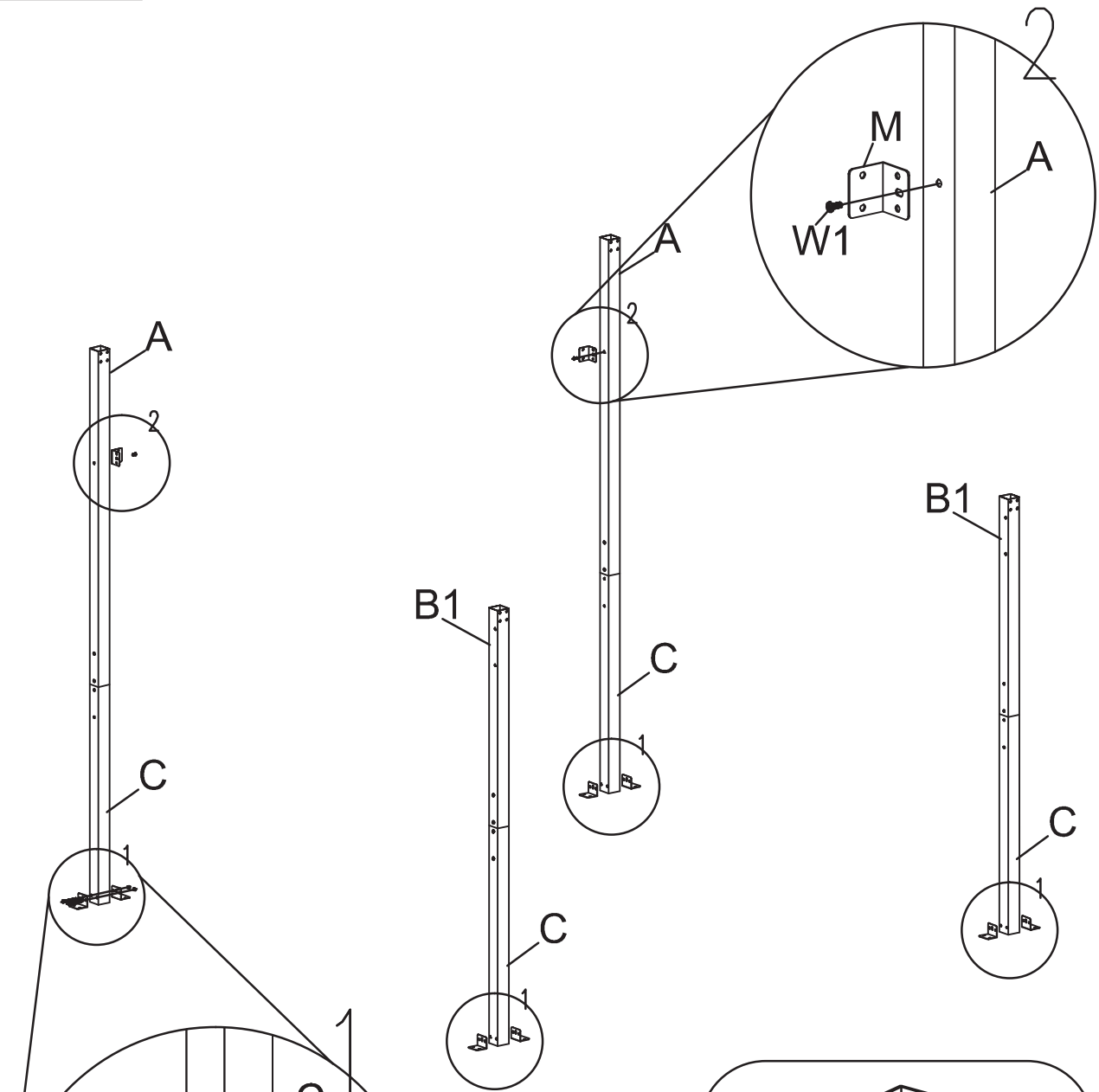
NO.	PART.	Qty.
Y	 Bolt M6*15mm	16
Z1	 Waterproof Washer	8
Z	 Allen Wrench	1
Z5	 Expansion Bolts	4

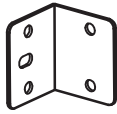




STEP 1



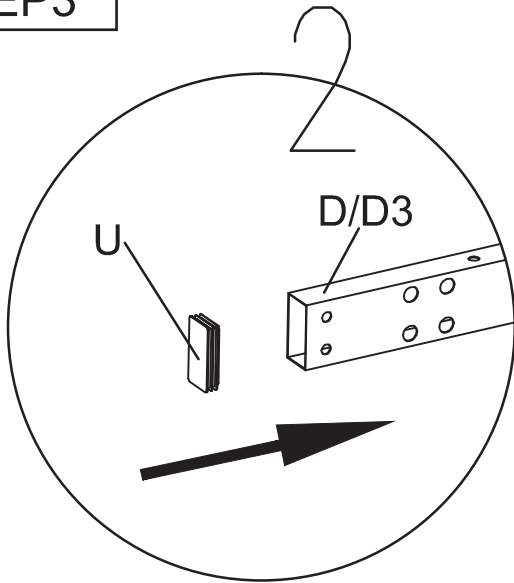
A		X2
B1		X2
C		X4
L		X4
W1		X32

STEP 2

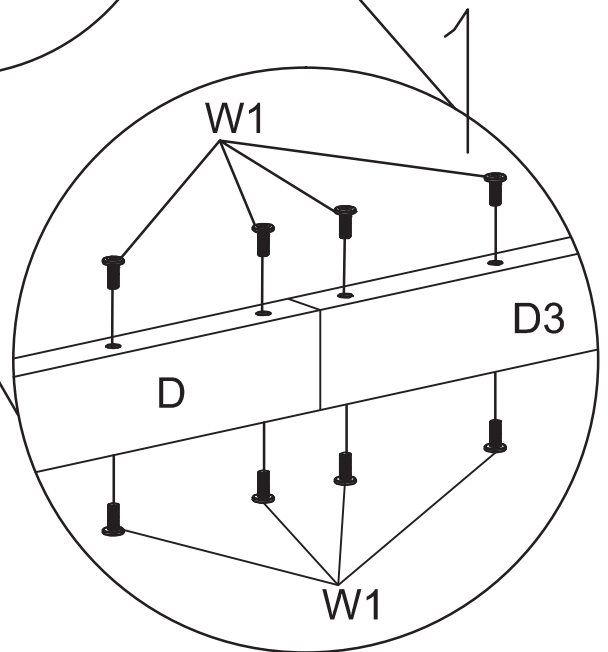
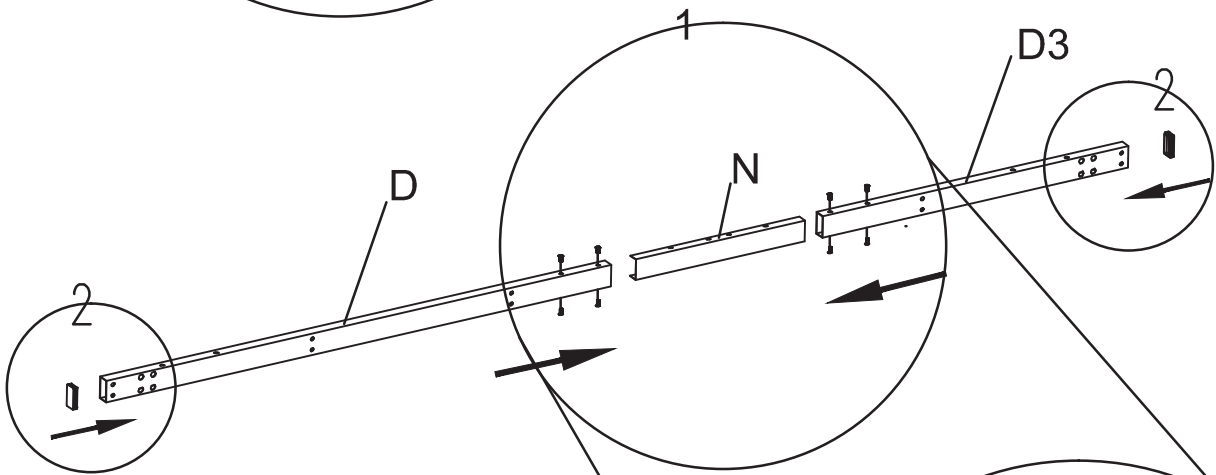


M		X10	
W2		X8	
W1		X2	
Z1		X8	
	X1		X8

STEP 3

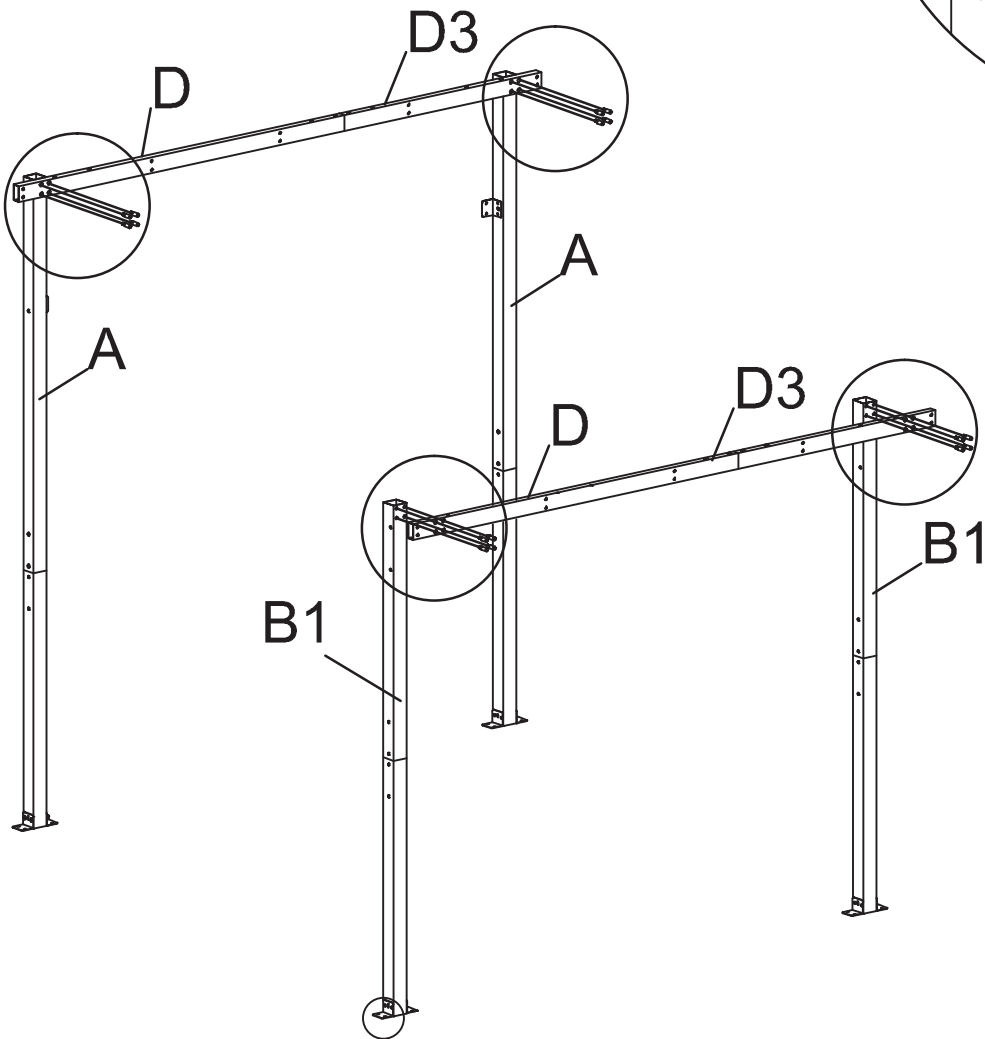
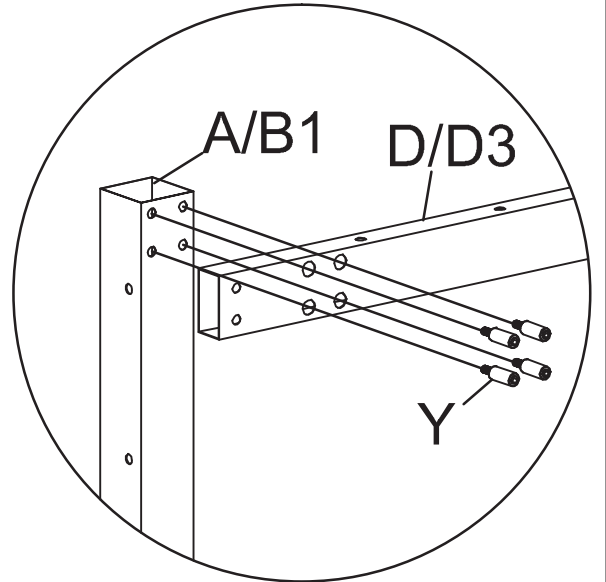
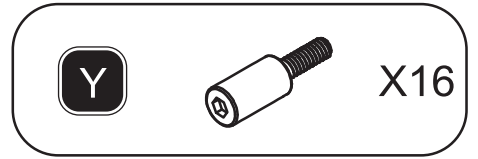


X2






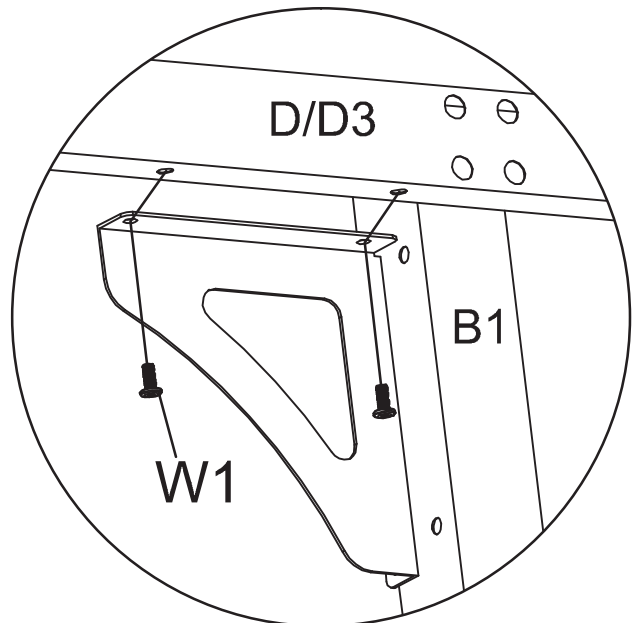
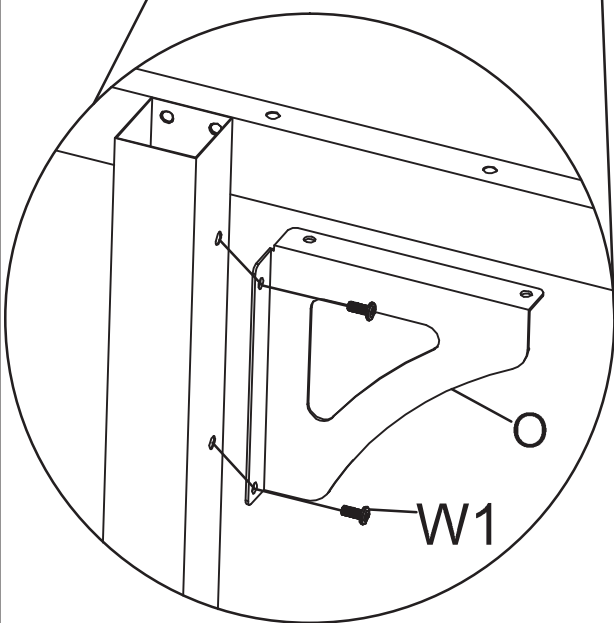
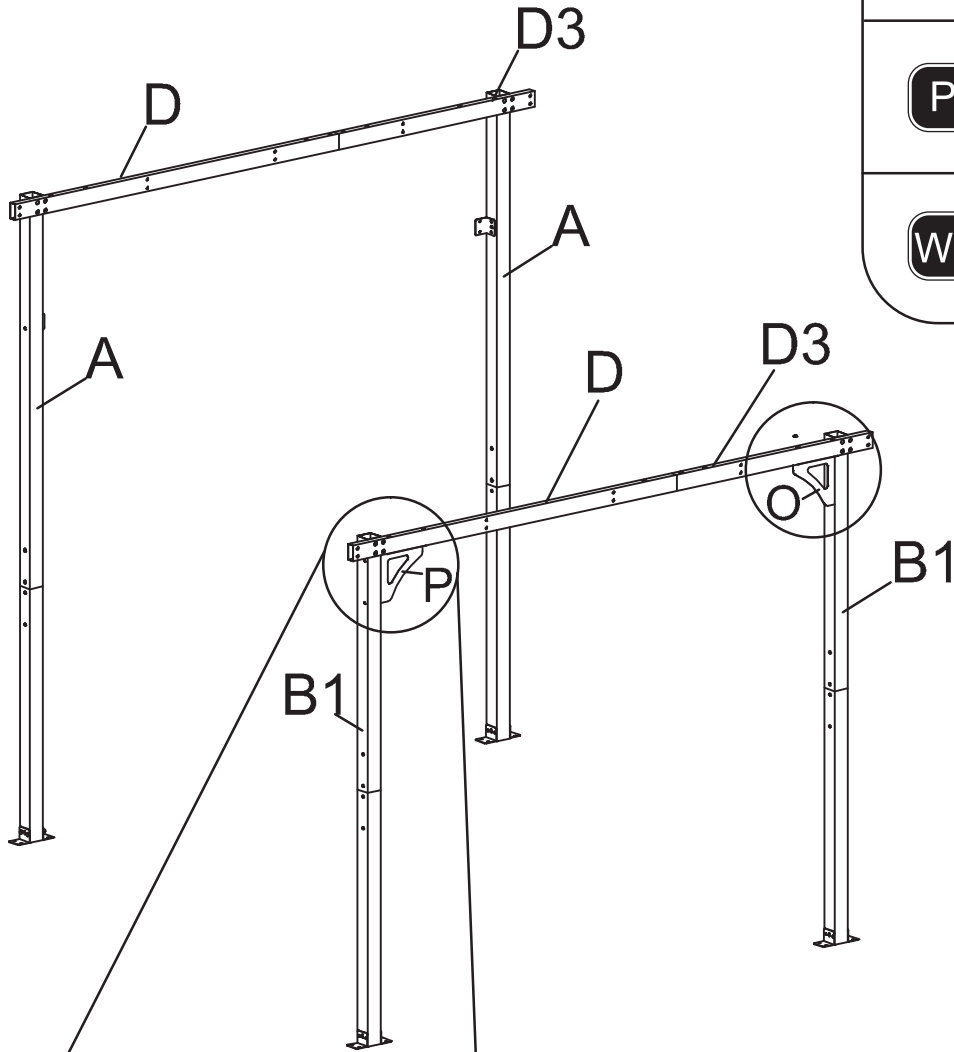
D		X2
D3		X2
N		X2
W1		X16
U		X4

STEP 4



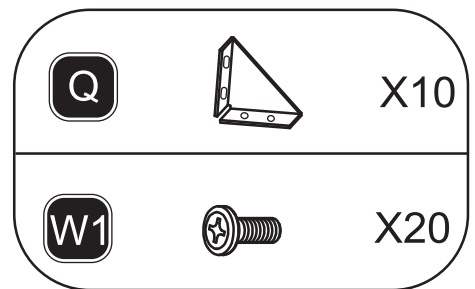
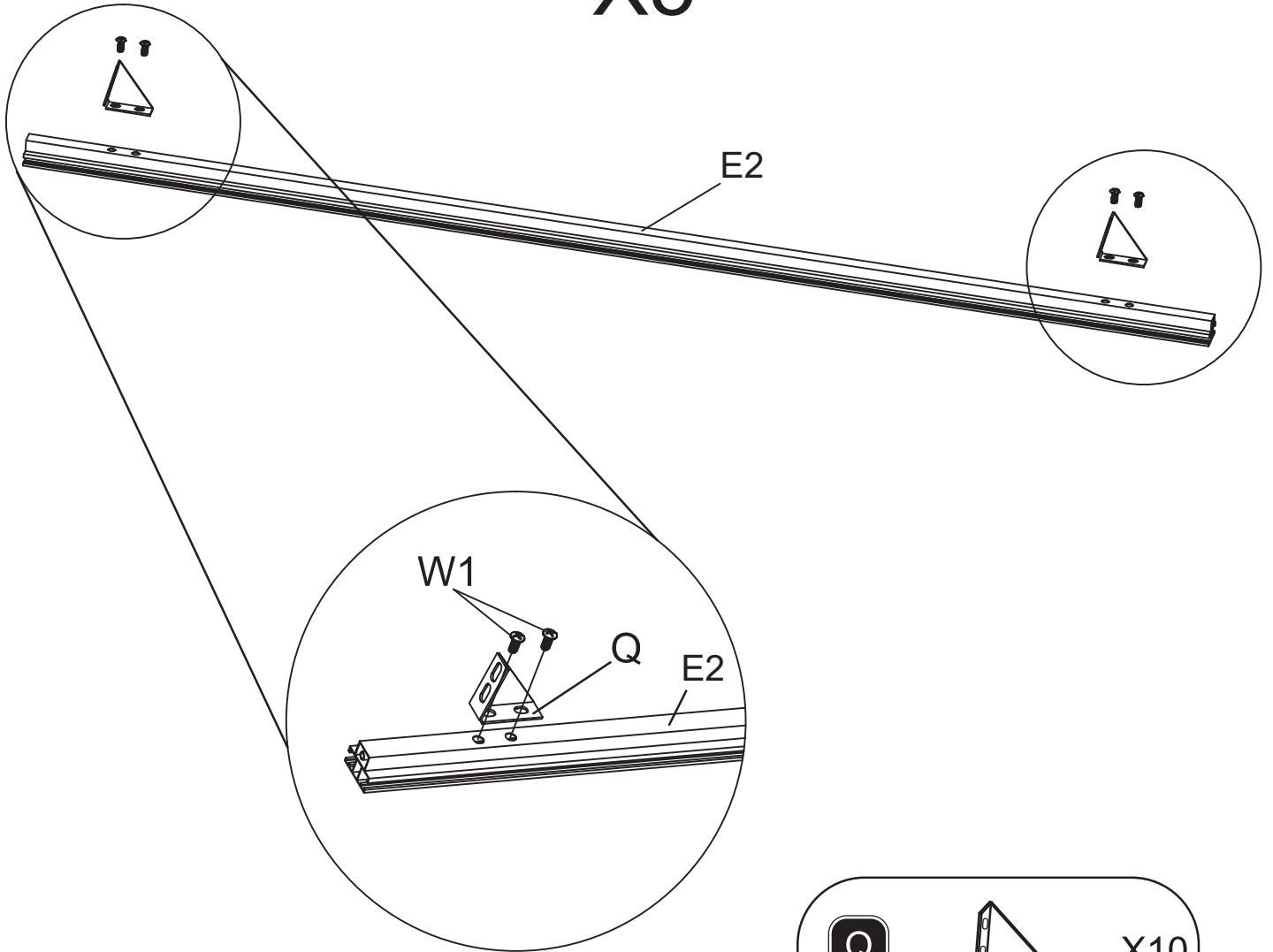
STEP 5

O		X1
P		X1
W1		X8



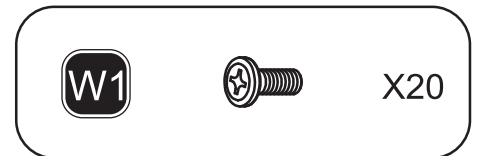
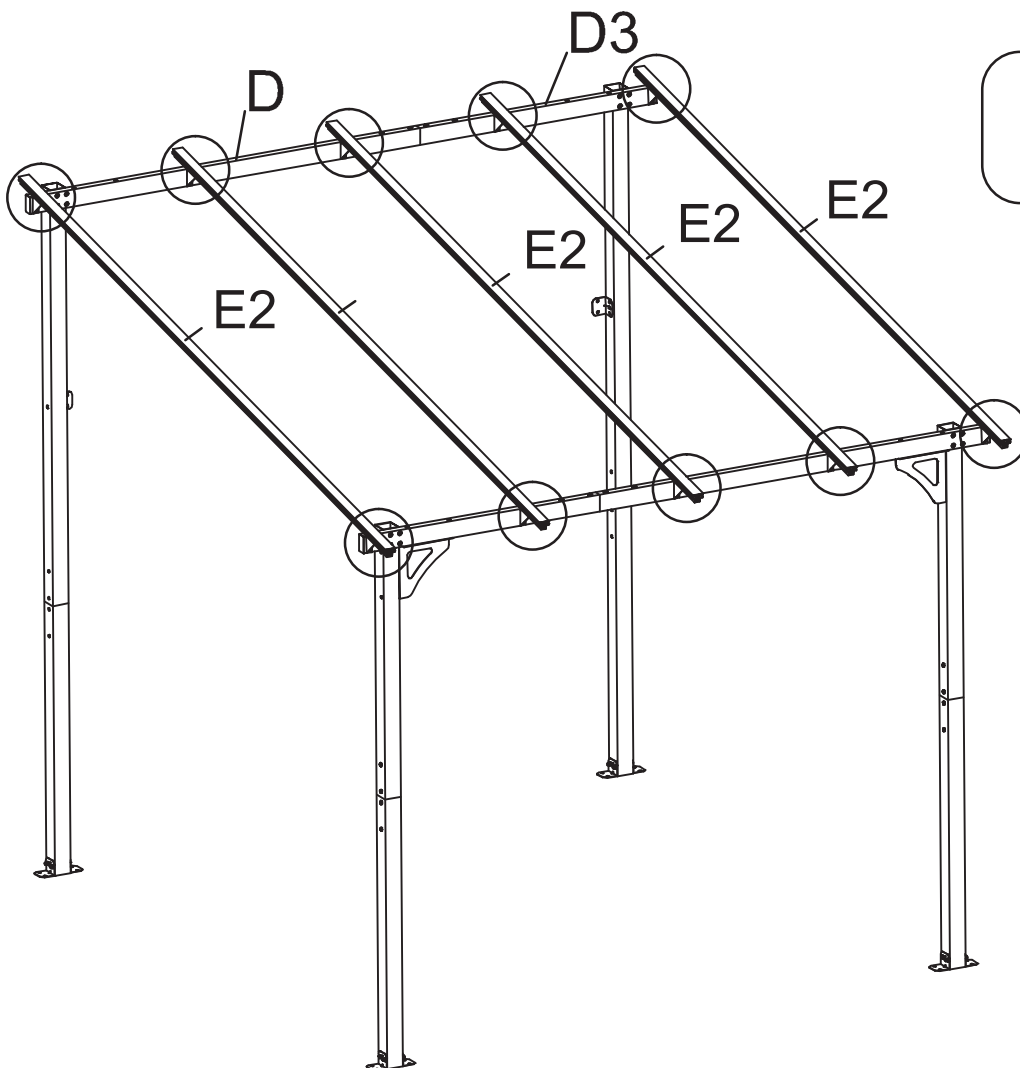
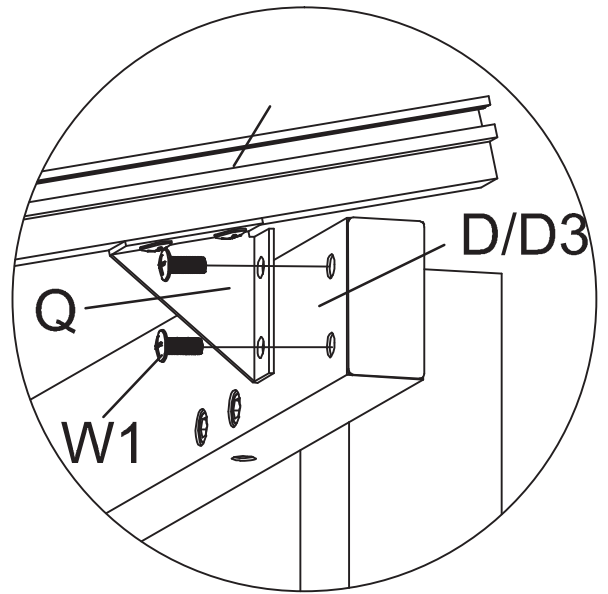
STEP 6

X5

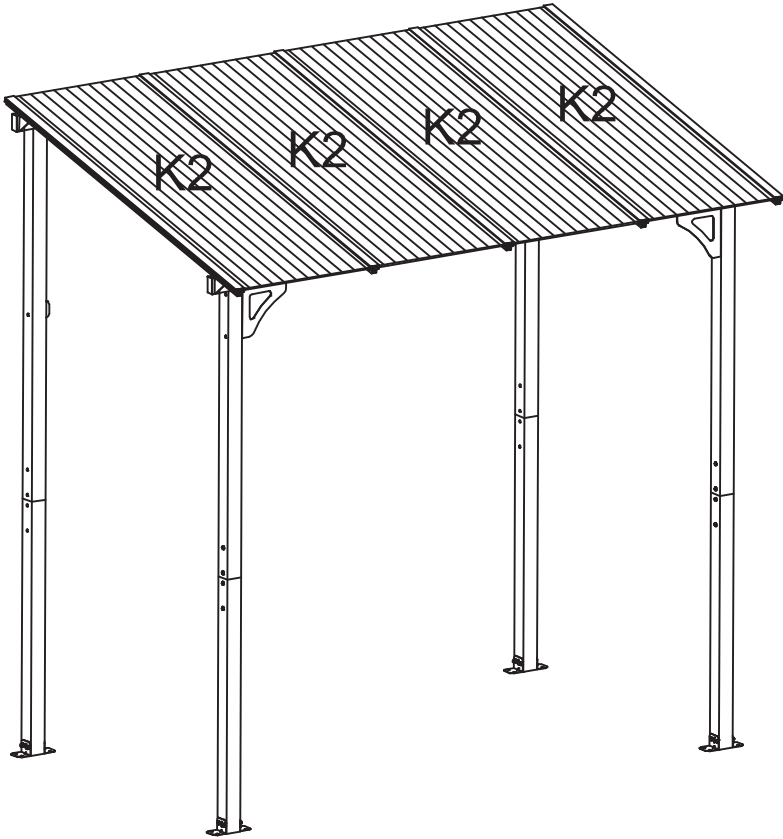
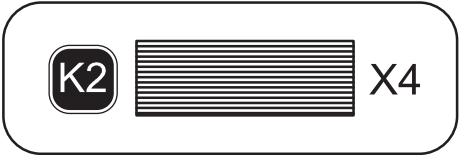
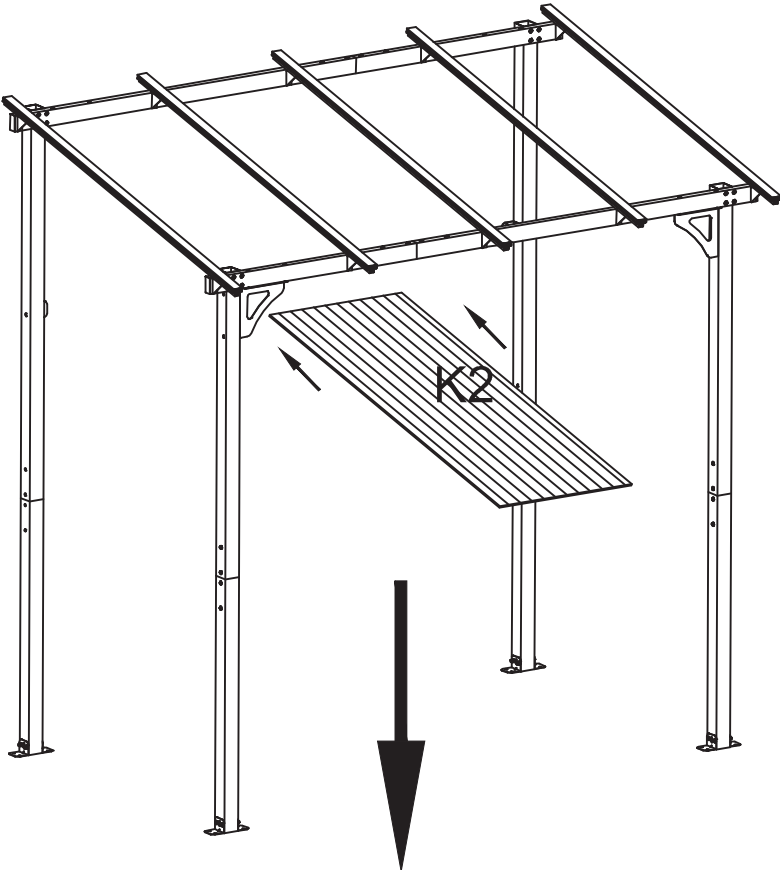


STEP 7

TIPS: Part Q is used by slotted holes that please use the same sides of both holes to make top side of Q higher than Part D. Slotted holes will support the cover board more strongly.






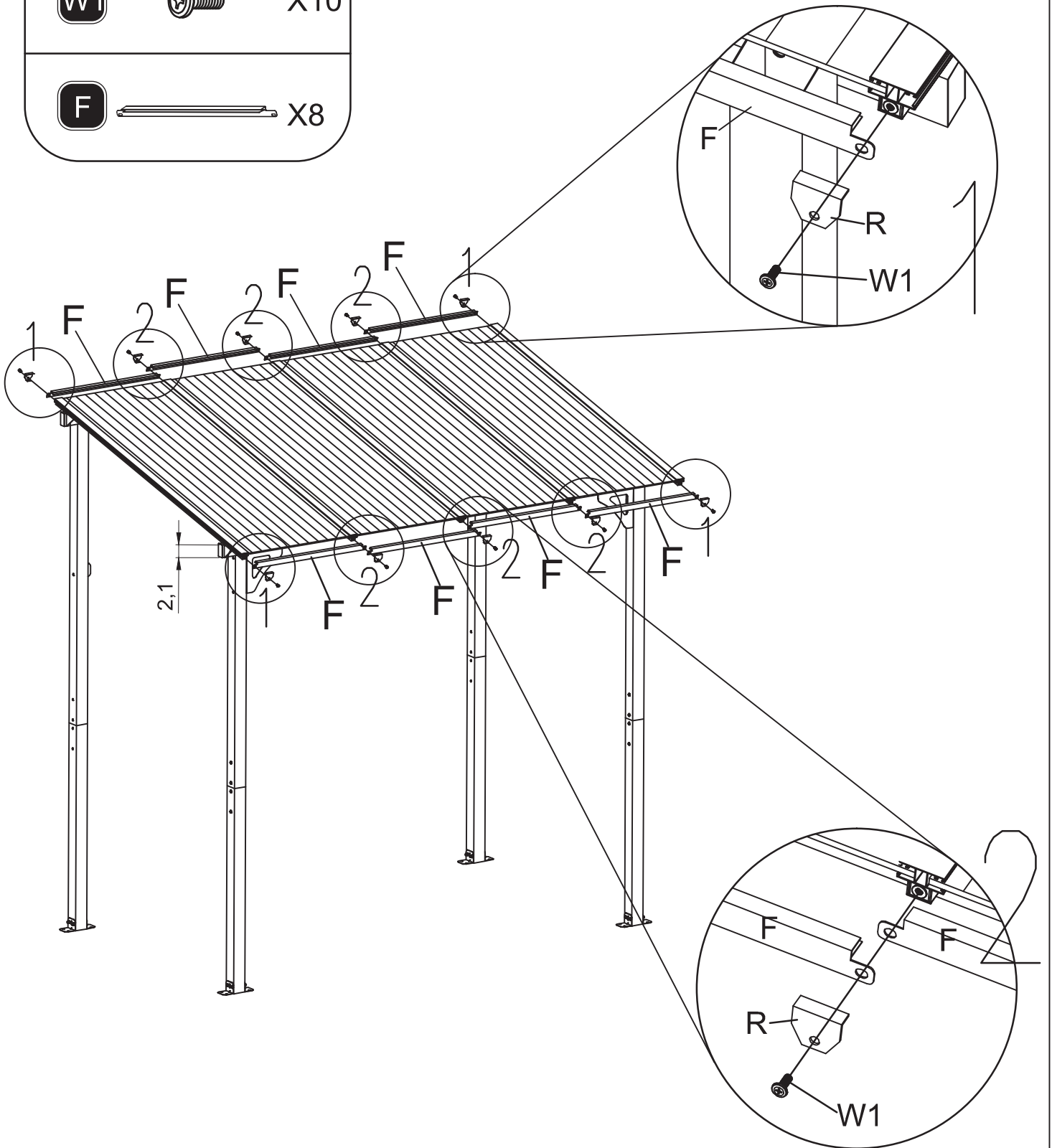
STEP 8



INSTALLATION STEPS

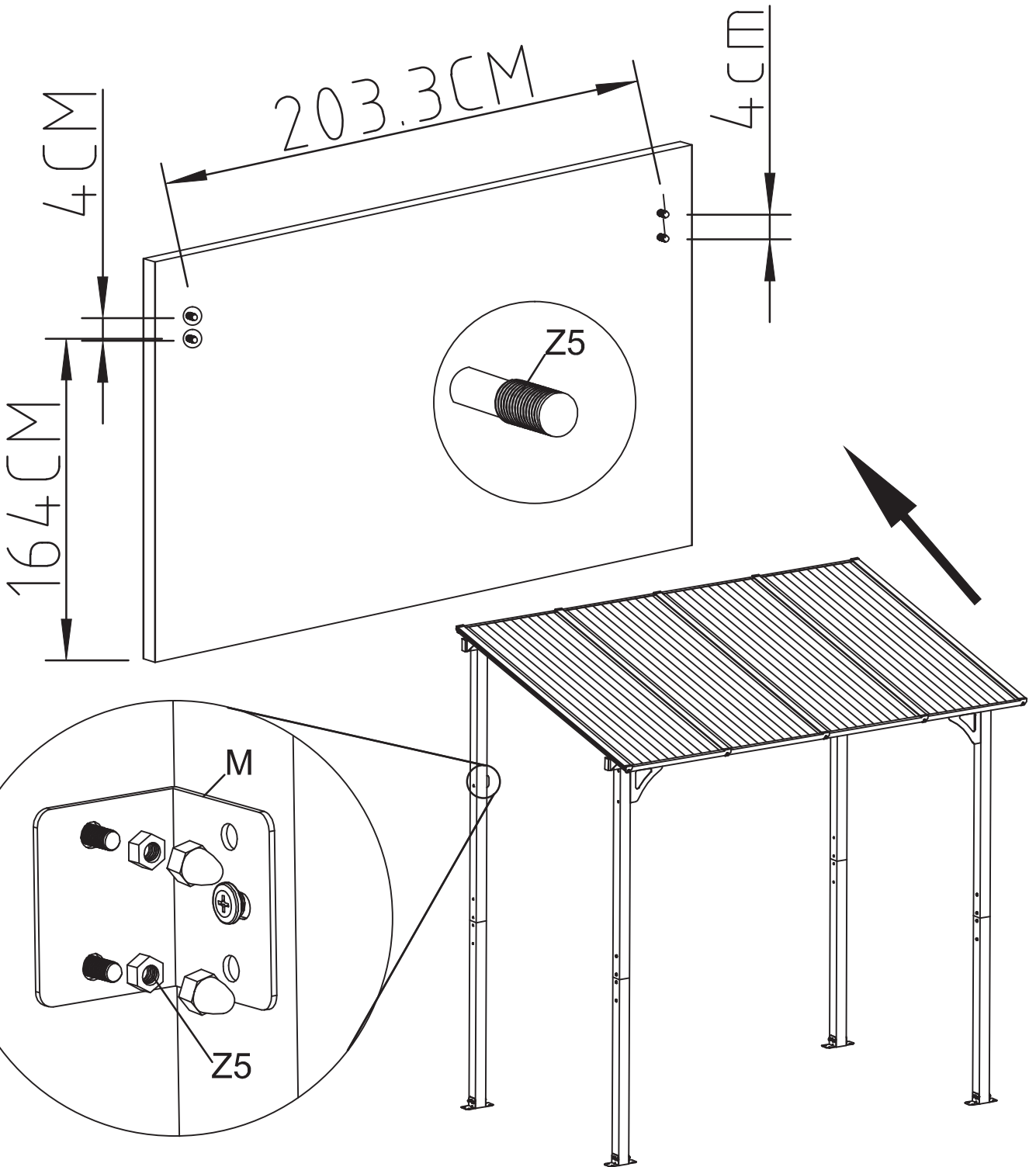
STEP 9

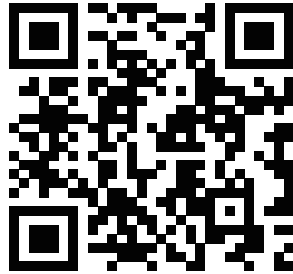
R		X10
W1		X10
F		X8



STEP 10

Z5 X4





www.alaulm.com

Make Your Life Much Better.