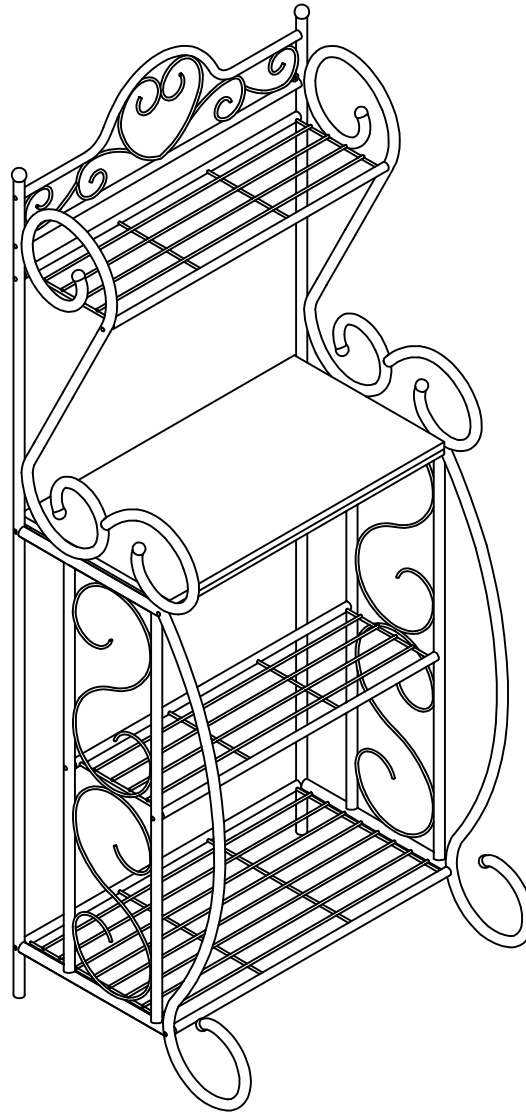


# ASSEMBLY INSTRUCTIONS


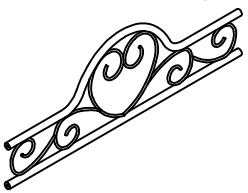
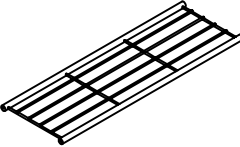
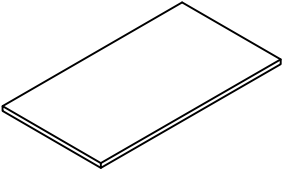
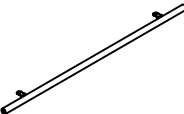
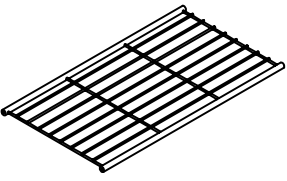
## Baker's Rack



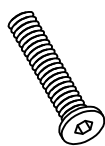

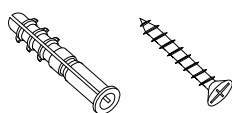

### NOTE TO CUSTOMERS:

- For ease and speed of assembly we recommend that before you commence each step of the assembly that you identify all the parts required to complete that step.
- We recommend that where possible you allow sufficient space to assemble the item as close as possible to the place where it will be once assembled.
- For the protection of your furniture we recommend that the product is placed on protected surfaces during assembly to prevent any damage.
- During assembly do not over tighten, as this may damage the product.
- Please ensure you retain all the product packaging until the item completely assembled.
- Please periodically check all fittings and re-tighten as necessary.
- It is recommended that this item should be assembled by two adults.

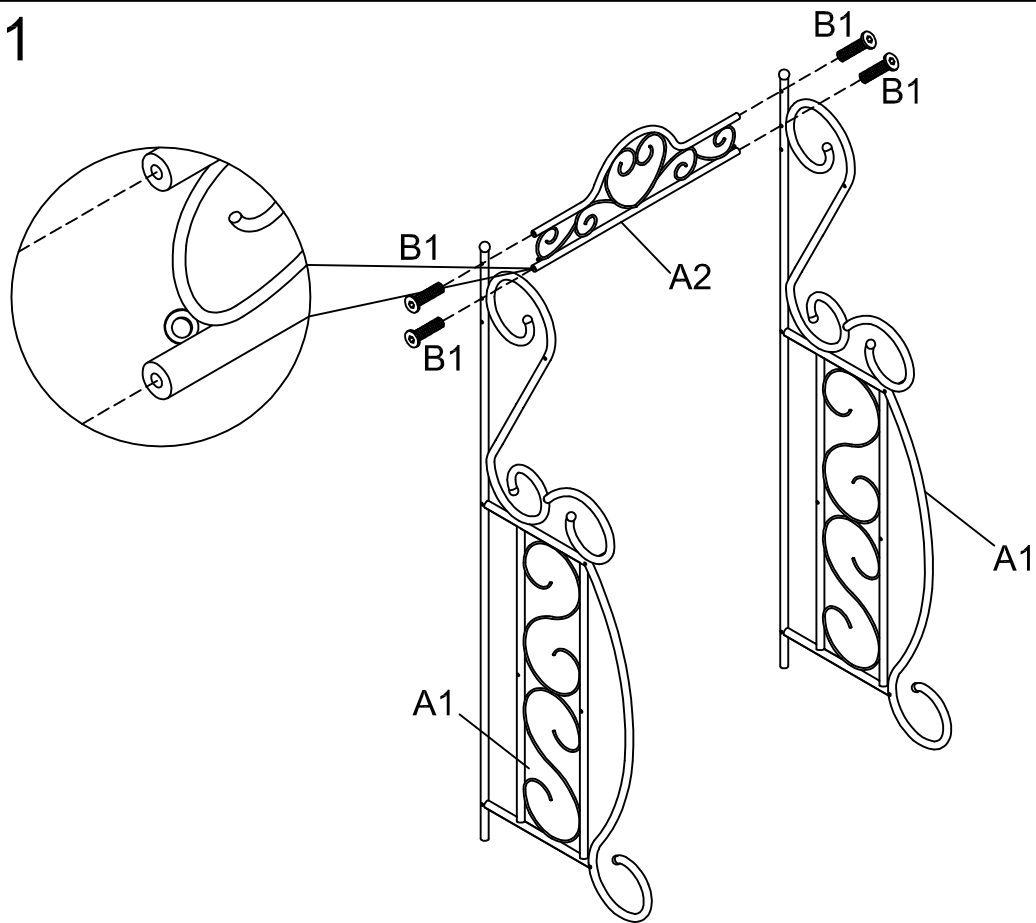
# PART LIST

<p>A1.                      Quantity of 2</p>  <p>Side Frame</p>	<p>A2.                      Quantity of 1</p>  <p>Back Frame</p>	<p>A3.                      Quantity of 2</p>  <p>Upper Rack</p>	<p>A4.                      Quantity of 1</p>  <p>Top Panel</p>
<p>A5.                      Quantity of 2</p>  <p>Connect Bar</p>	<p>A6.                      Quantity of 1</p>  <p>Bottom Rack</p>		

# HARDWARE LIST

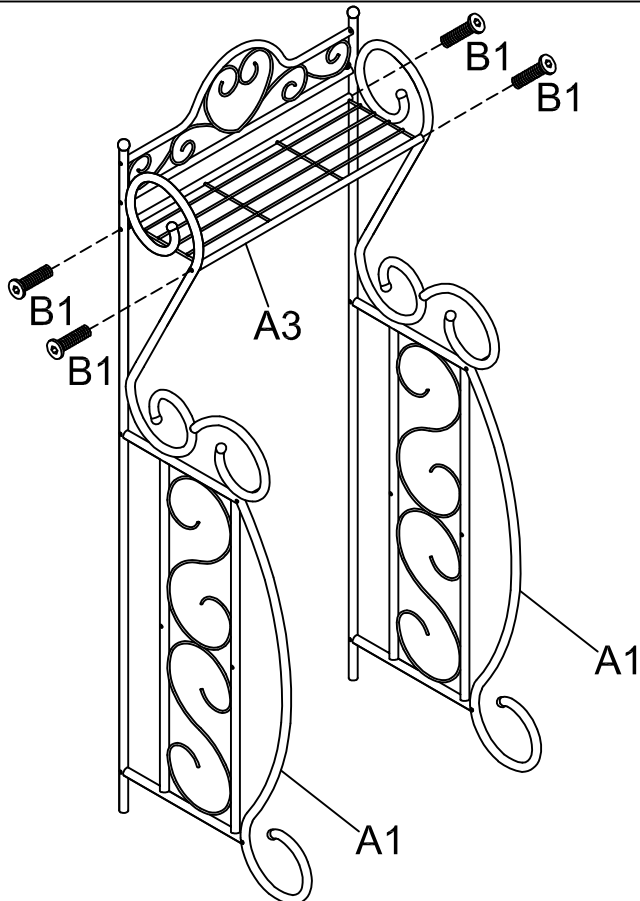
<p>B1.                      Quantity of 20</p>  <p>Bolt</p>	<p>B2.                      Quantity of 4</p>  <p>Screw</p>	<p>B3.                      Quantity of 2</p>  <p>Anchor with screw</p>	 <p>Allen Wrench</p>
--	--	---	---

# Step 1



Attach Back Frame A2 to Side Frames A1 using Bolts B1.

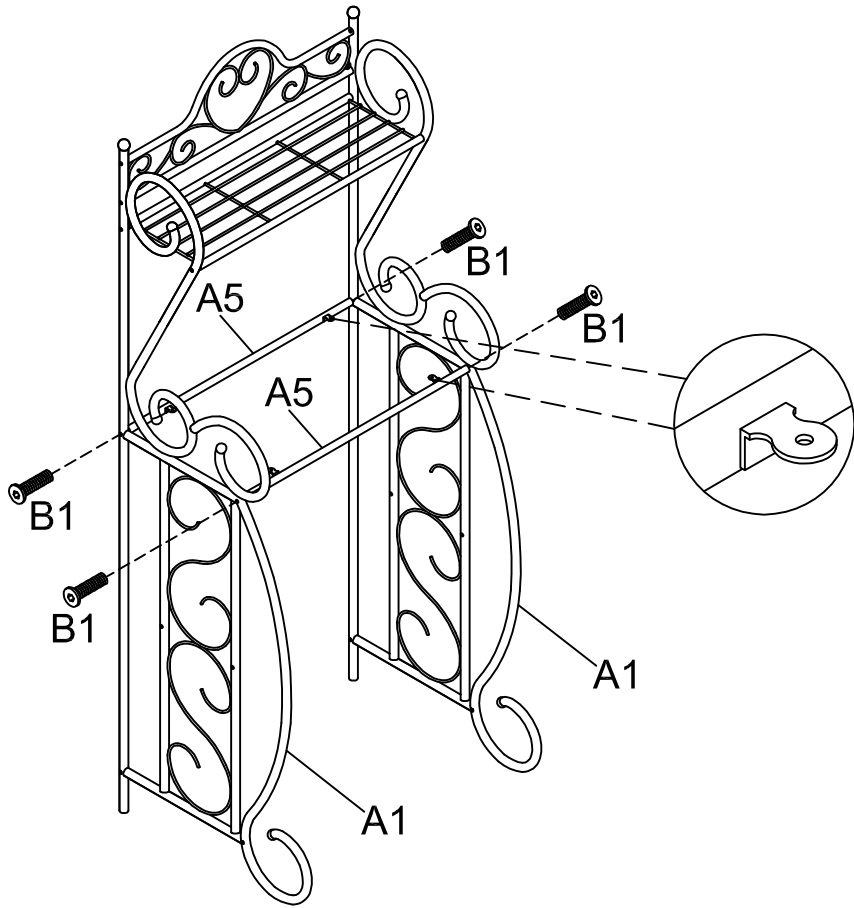
# Step 2



Attach Upper Rack A3 to Side Frames A1 using Bolts B1.

# Step 3

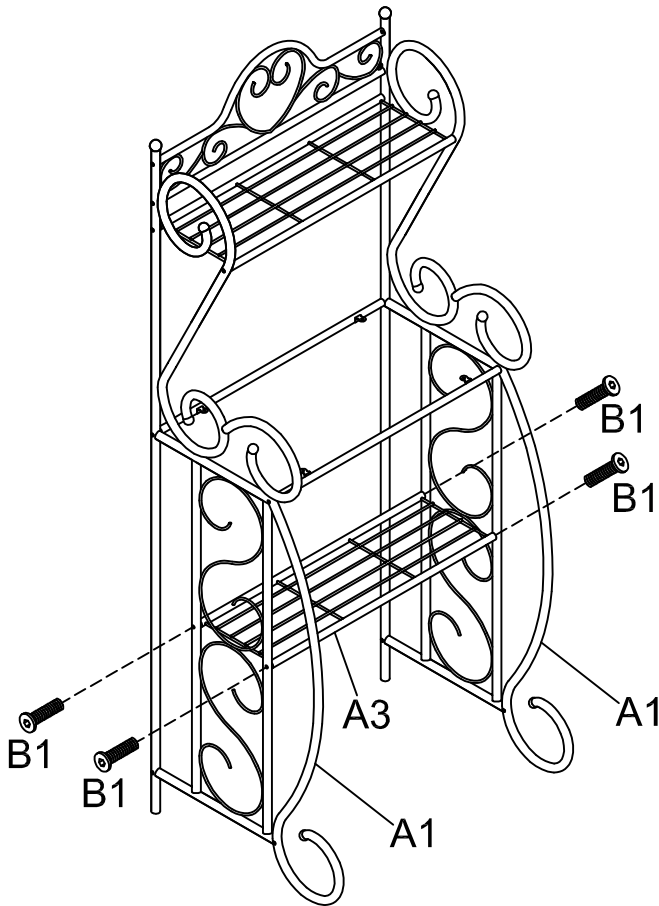
B1  4pcs



Attach Connect Bars A5 to Side Frames A1 using Bolts B1.

# Step 4

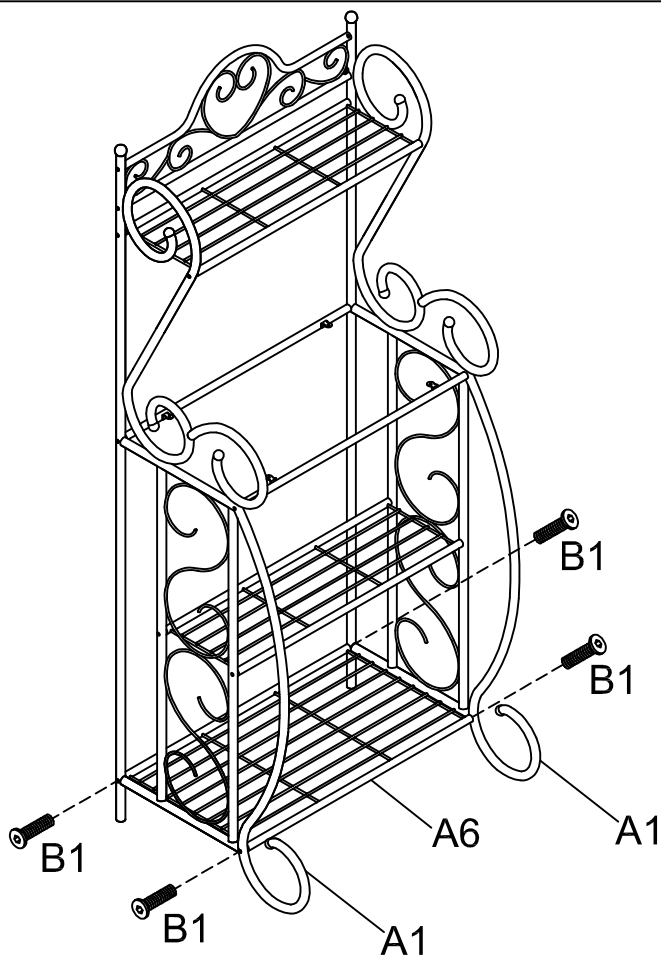
B1  4pcs



Attach Upper Rack A3 to Side Frames A1 using Bolts B1.

## Step 5

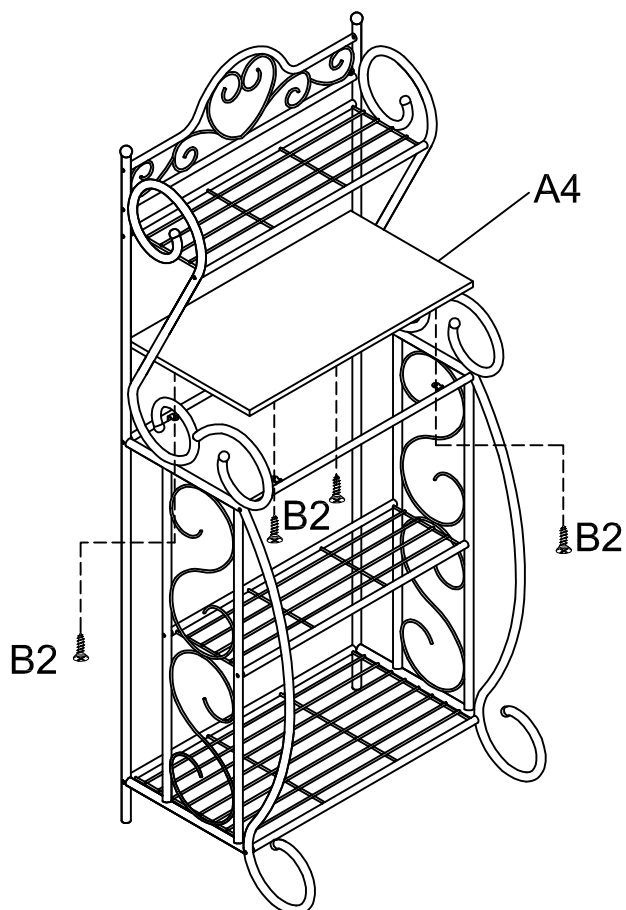
B1  4pcs



Attach Bottom Frame A6 to Side Frames A1 using Bolts B1.

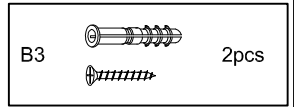
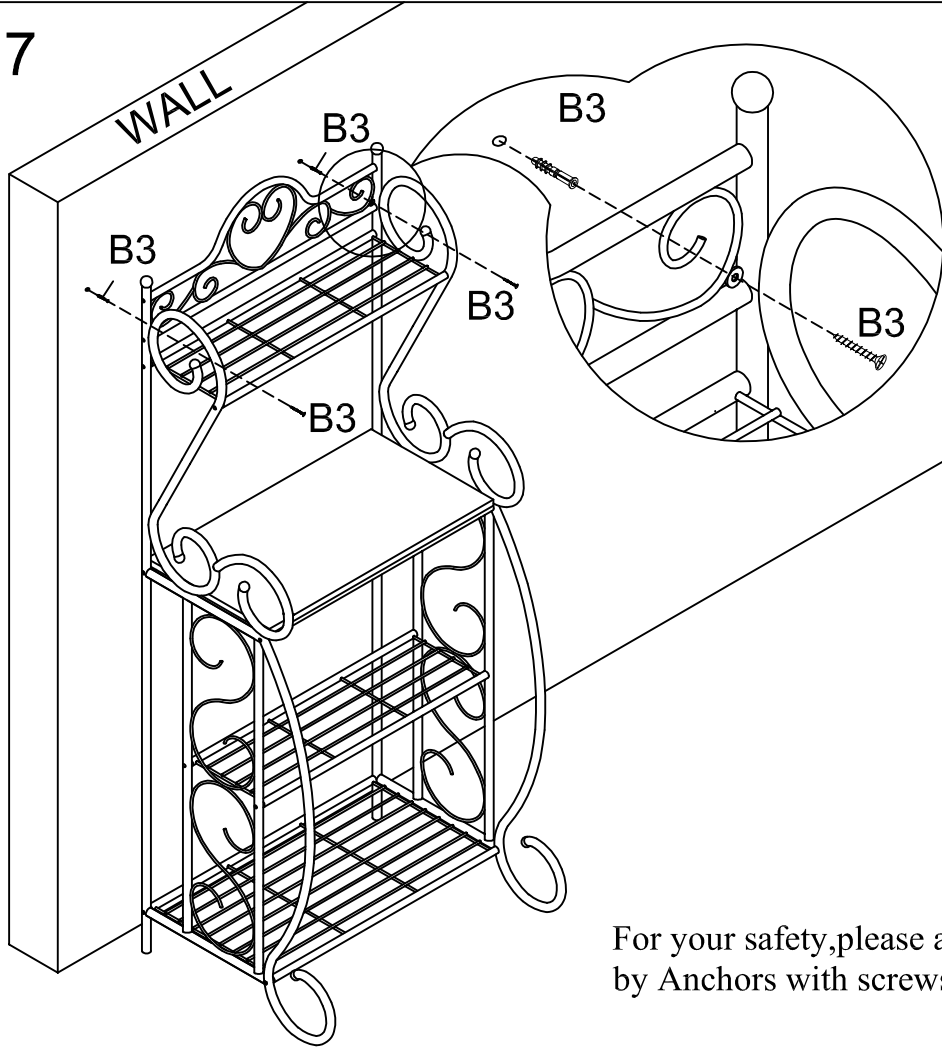
## Step 6

B2  4pcs



Attach Top Panel A4 to Connect Bars A5 using Screws B2.

# Step 7



For your safety, please attach the unit to the wall by Anchors with screws B3.

## APPENDIX: Dimension of hardware in this AI.

<p><b>B1</b></p> <p><b>Bolt</b></p>	
<p><b>B2</b></p> <p><b>Screw</b></p>	<p><b>B3</b></p> <p><b>Screw</b></p>