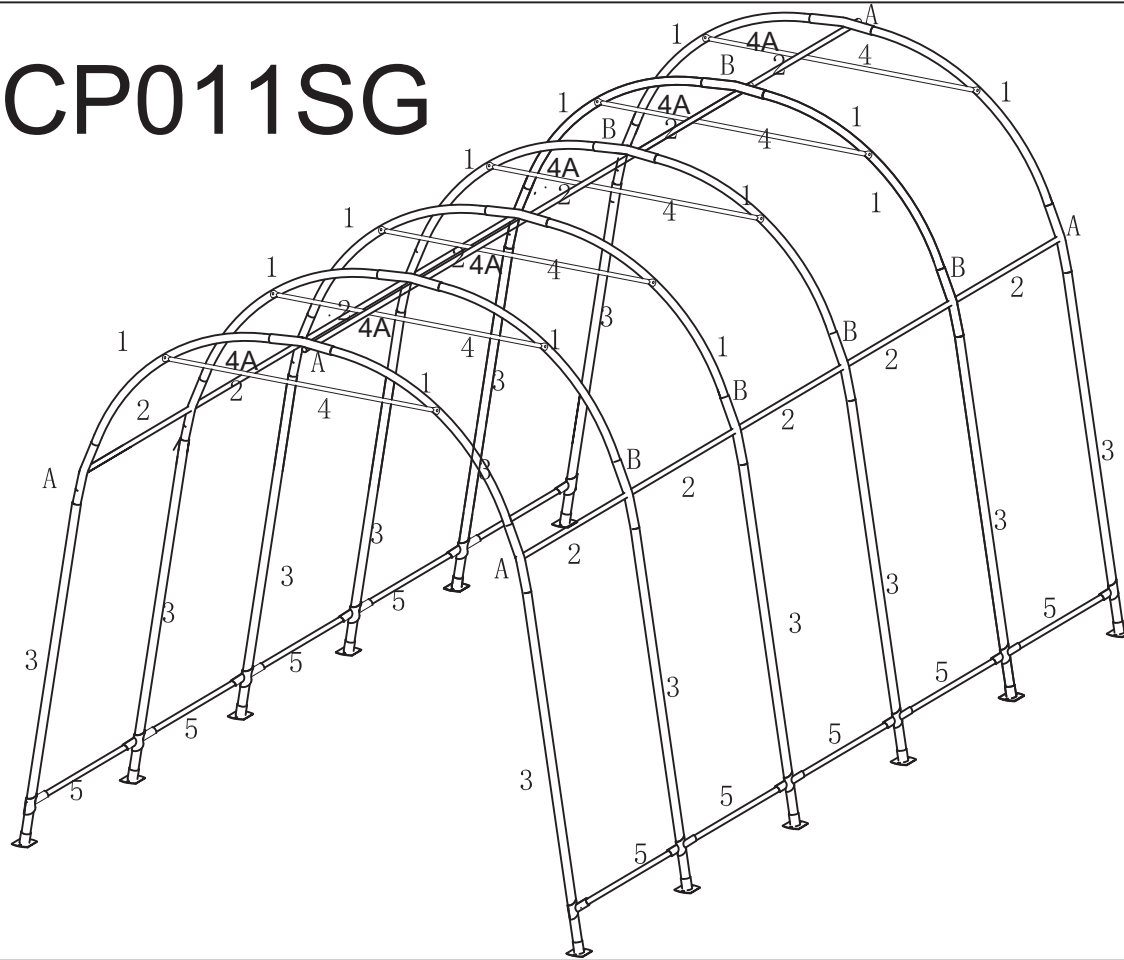

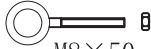


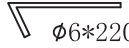
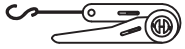
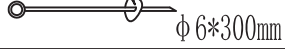
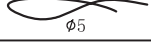

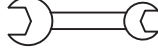


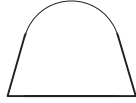
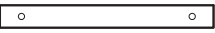


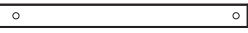


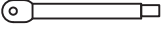


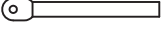

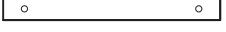


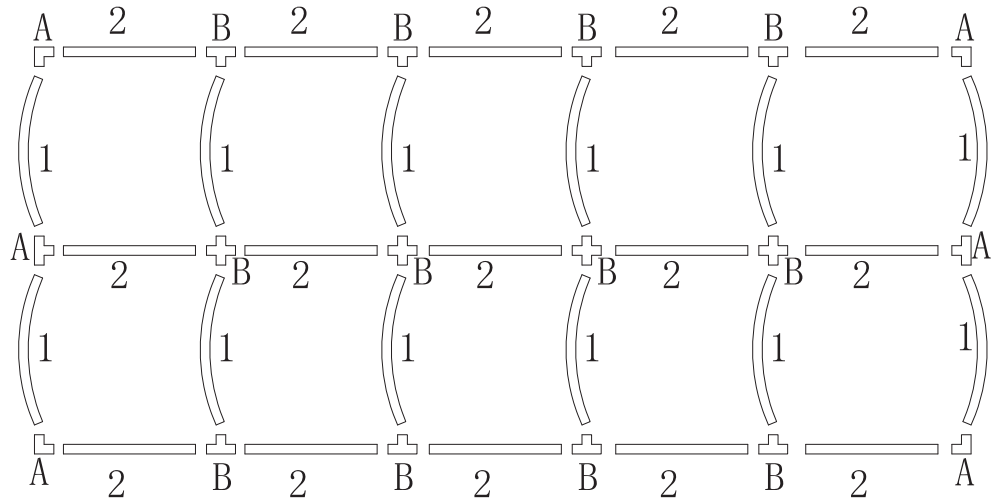
YYCP011SG



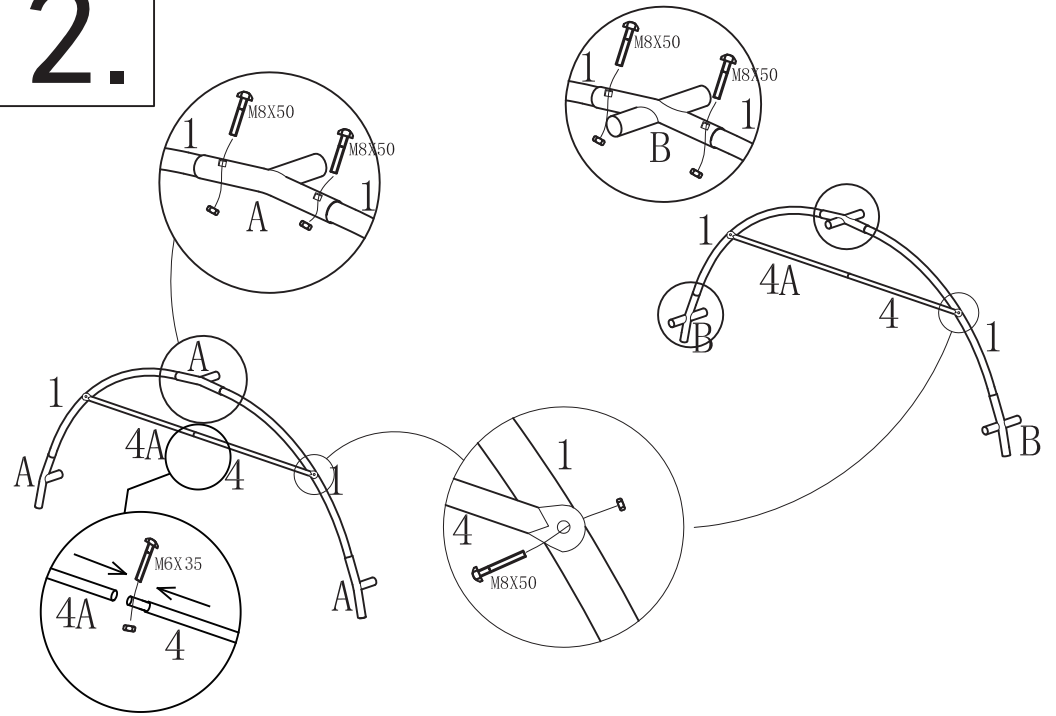
Description	Quantity
 M8 × 50	60+2
 M8 × 50	4
 M6 × 45	40+2
 M6 × 35	6
 φ6*220MM	24
	4
 φ6*300mm	4
 φ5	4
	2
	2

Description	Quantity	Description	Quantity	Description	Quantity
1# 	12	A# 	6	F# 	1
2# 	15	B# 	12	G# 	36
3# 	12	C# 	12	I# 	8
4# 	6	D# 	1	J# 	16
4A# 	6	E# 	1		
5# 	10				

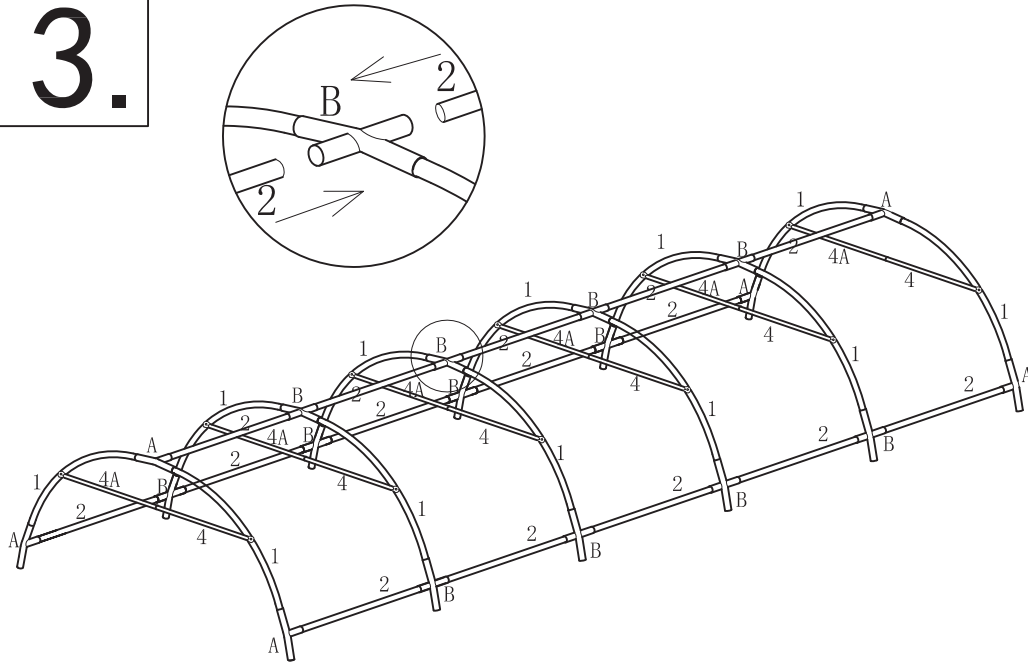
1.



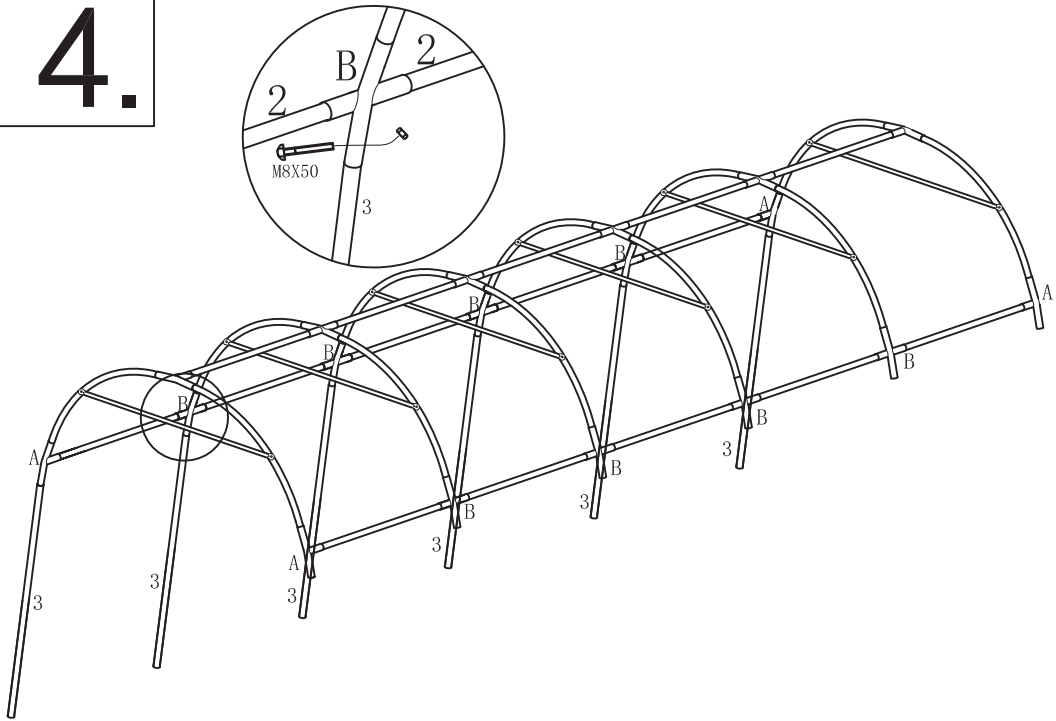
2.



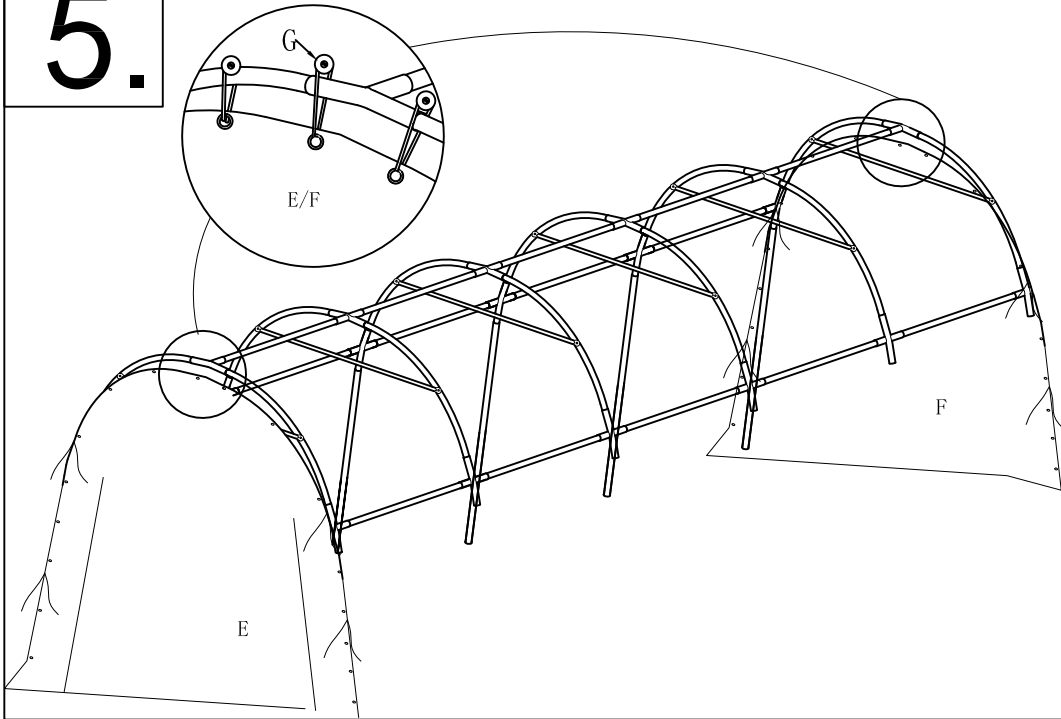
3.



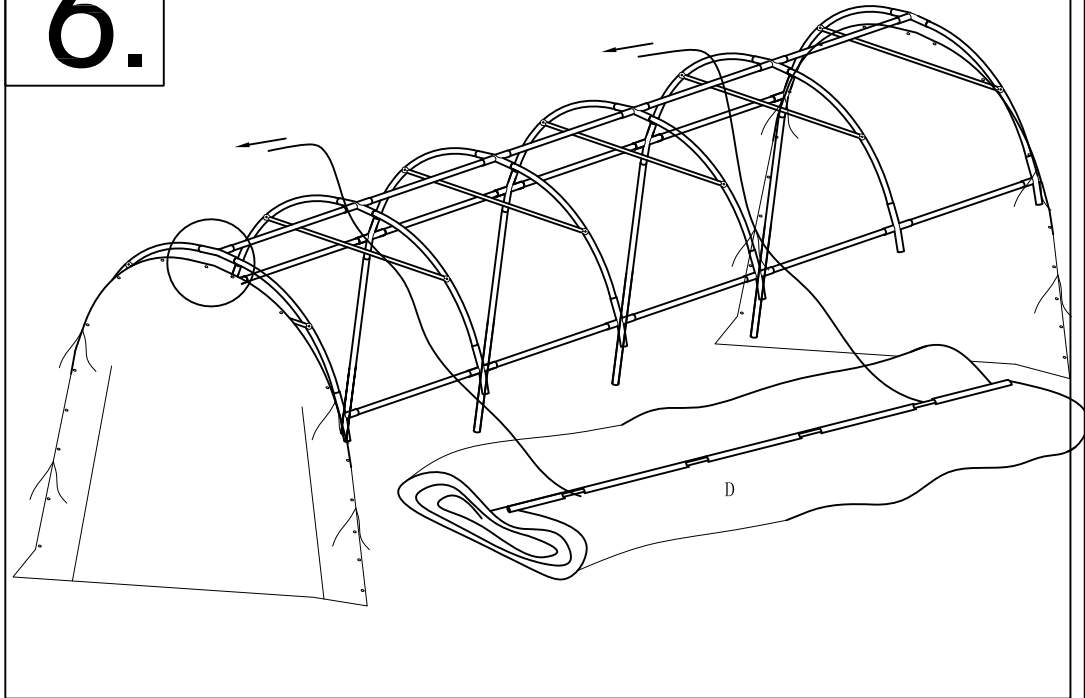
4.



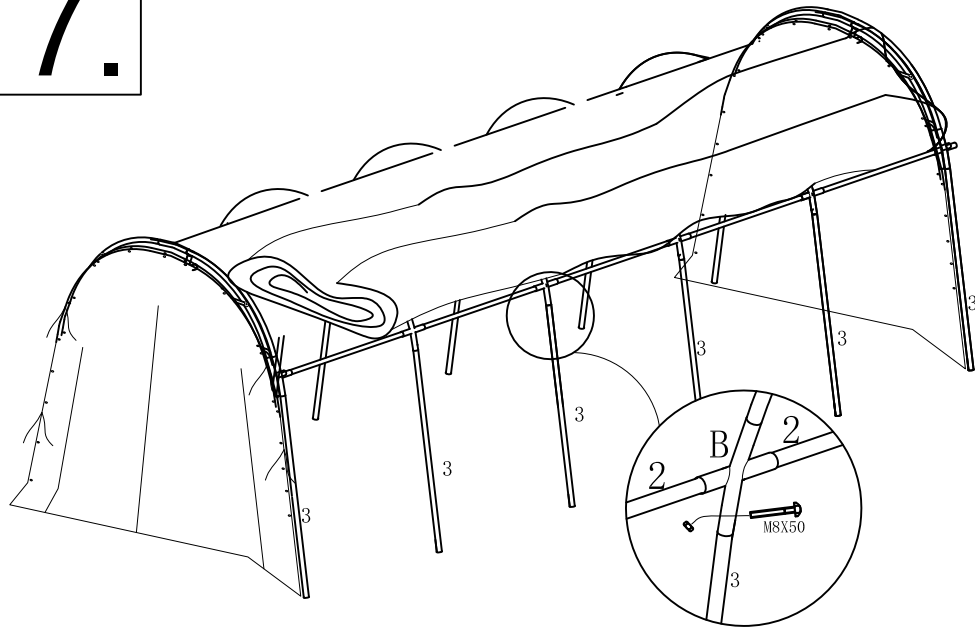
5.



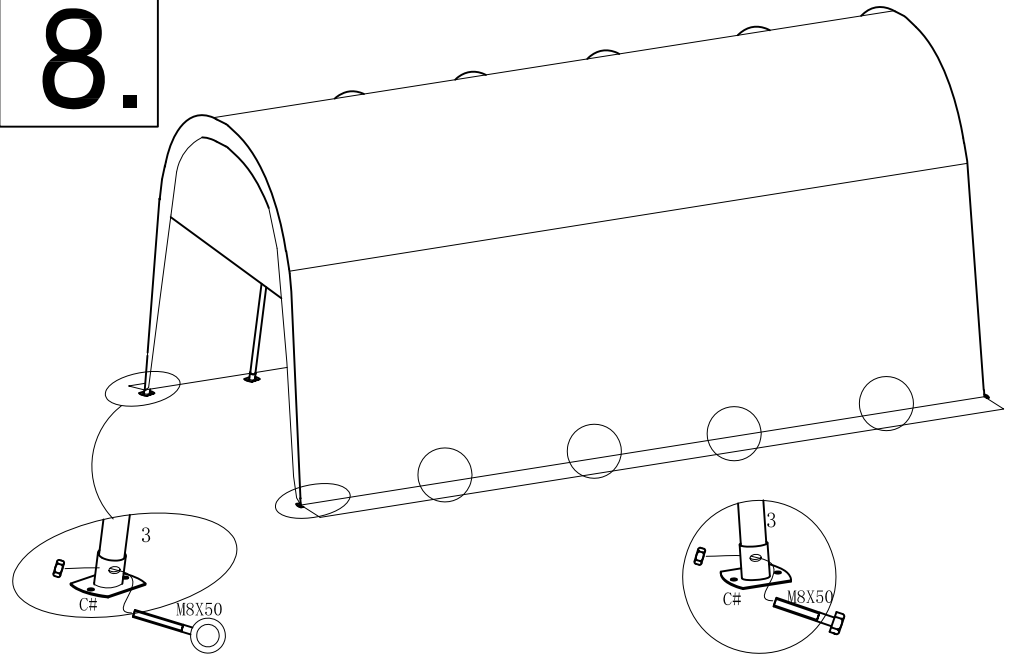
6.



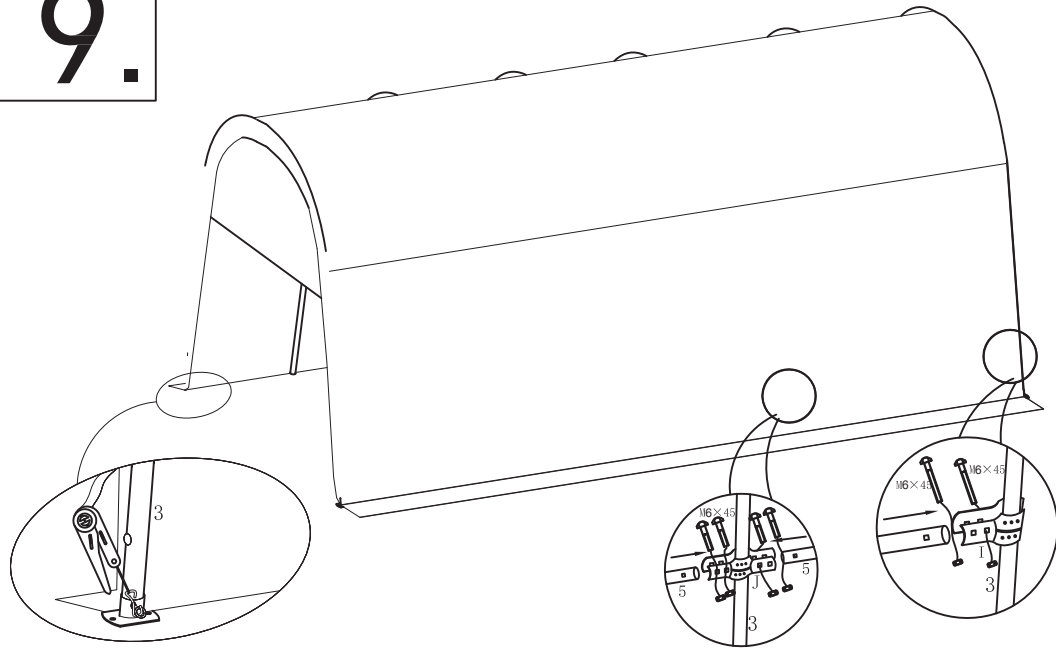
7.



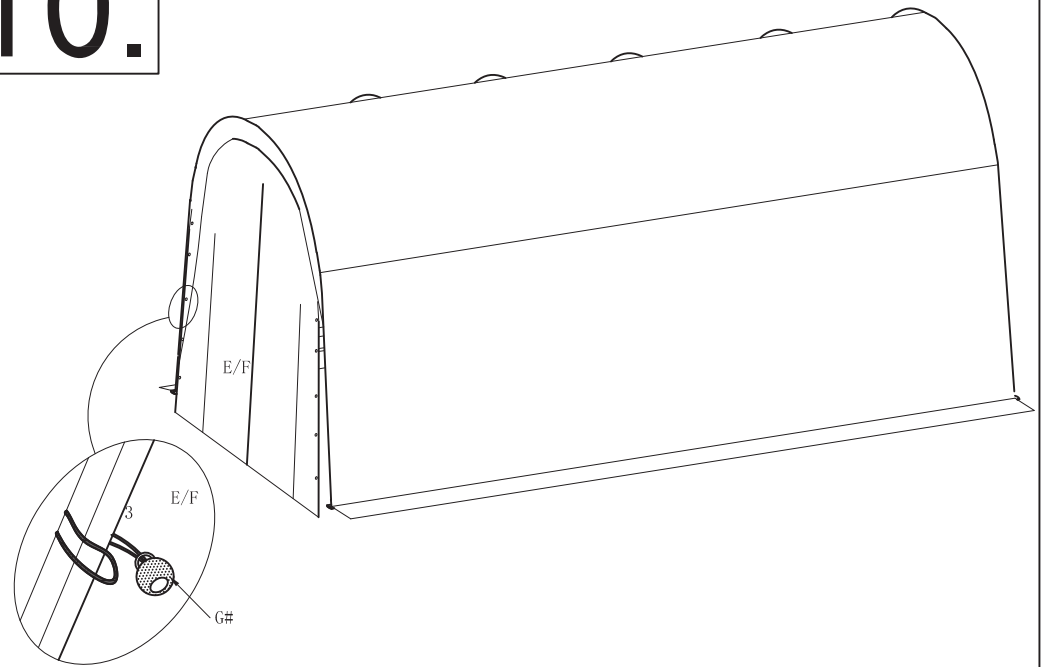
8.



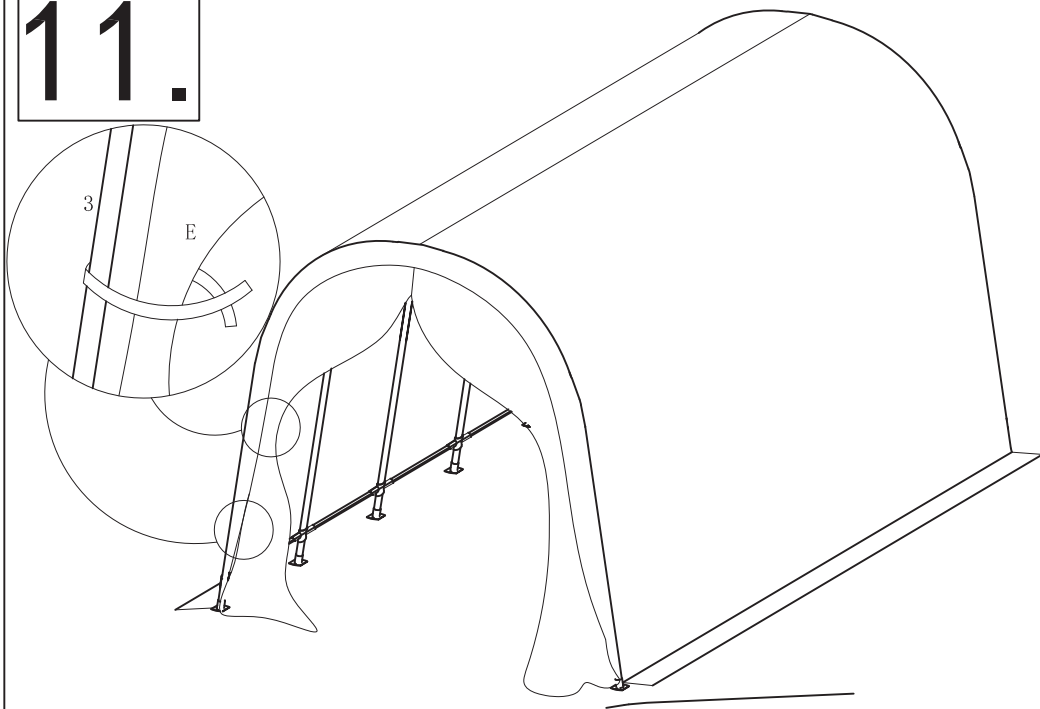
9.



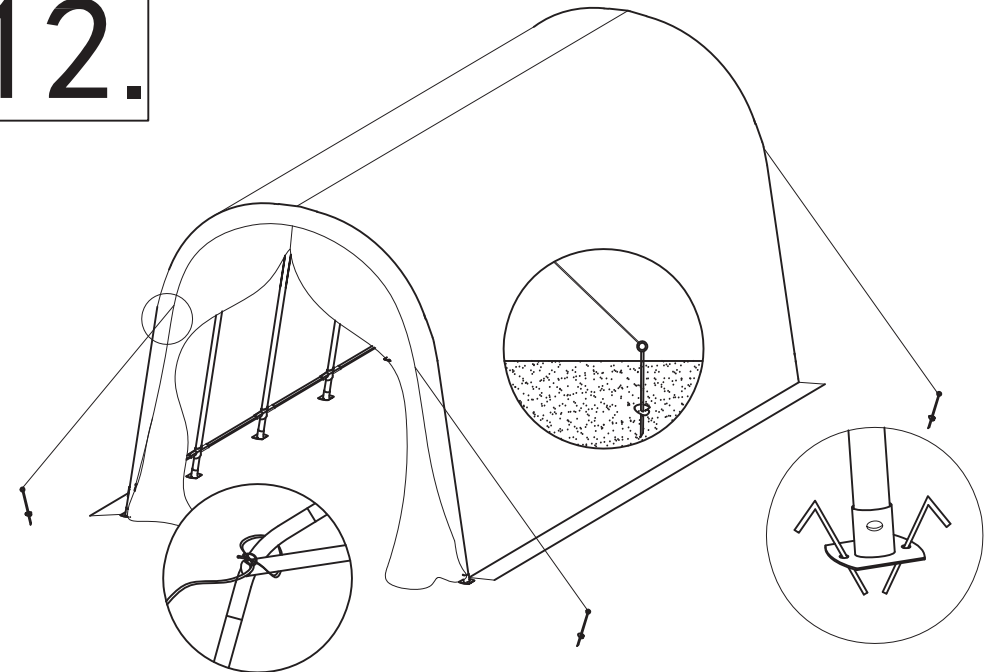
10.



11.



12.



ng Ratchet Tie-Downs

these instructions in the pages that follow.

l the strap through the Ratchet's (8)
: as far as it will go

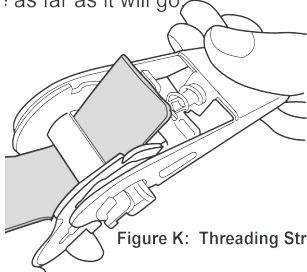


Figure K: Threading Strap through Spindle

t the S-hook of the Ratchet into
ole in the Corner Leg (6).

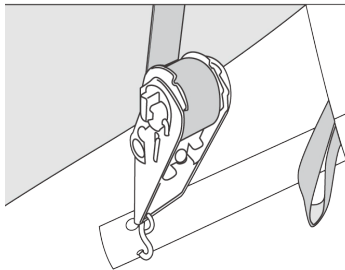


Figure L: Inserting Hook into Corner Leg

Lift and lower the Ratchet's handle to wind
and tighten the strap onto the spindle.

7
6

Releasing Ratchet Tie-Downs

1. Depress the spring-loaded bar on the handle.
2. Open Ratchet handle completely.
3. Unwind the strap.

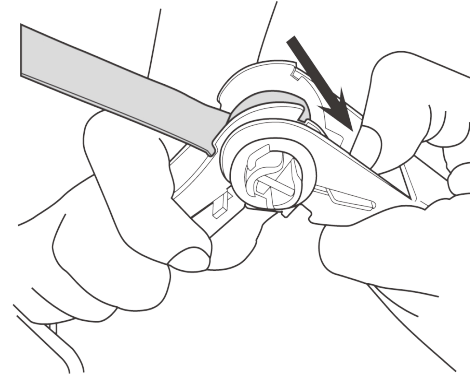


Figure N: Releasing Ratchet

ATTENTION:

1. Please check the manual carefully and make sure you have received all the parts.
2. If there is any missing, please let us know the letter of the parts you need.
3. If there is any damage, please send clear photos to us, we will check and offer you best solution soon.