











Assembly Instructions

Caution : You must read this before you proceed

Care & Maintenance

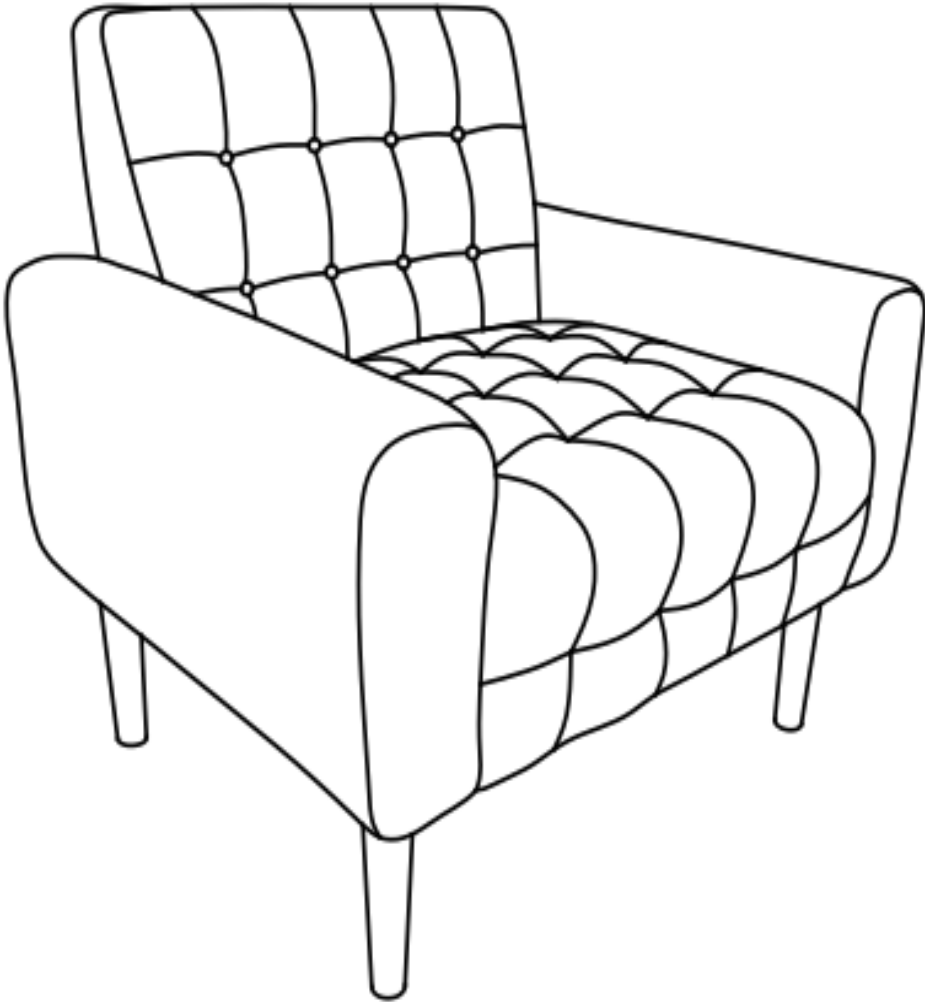
- ⊘  ● Not for commercial use. For residential use only.
- ✓  ● Furniture may scratch floors. We recommend using furniture pads to protect your floors.
- ⊘  ● Do not put hot items directly on furniture surface.
- ⊘  ● Do not clean furniture with harsh cleansers or polish.
- ⊘  ● Do not place furniture under direct sunlight.
- ⊘  ● Do not place furniture near heating or cooling vents.
- ⊘  ● Do not write on furniture without a padded barrier to protect the surface.
- ⊘  ● Do not place furniture outside . For indoor use only.
- ⊘  ● Stains may be removed with mild soap solution and damp cloth.
- ⊘  ● Children should not climb or jump on the furniture.



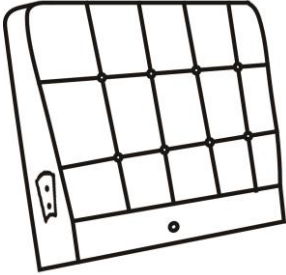
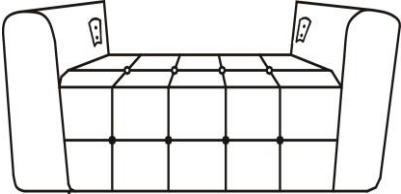

- Dust and pick-up spills using a clean, non-colored, lint-free cloth.

Please look in chair seat for hardware packs and legs.
Sets often ship in multiple boxes and may arrive a day or two apart.






Club Chair



Part List

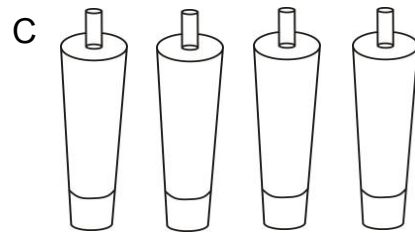
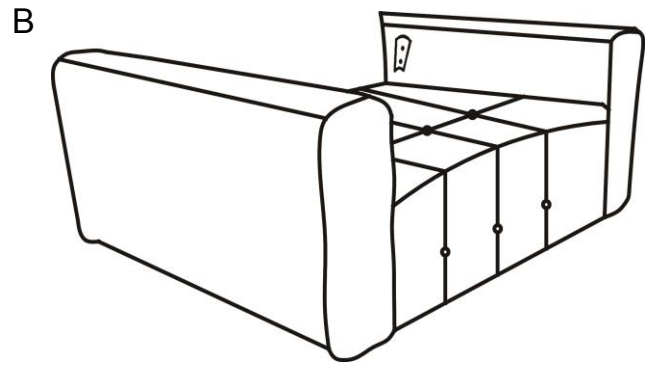
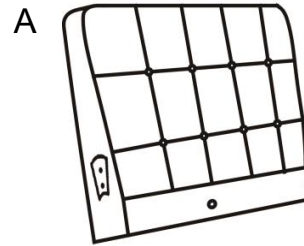
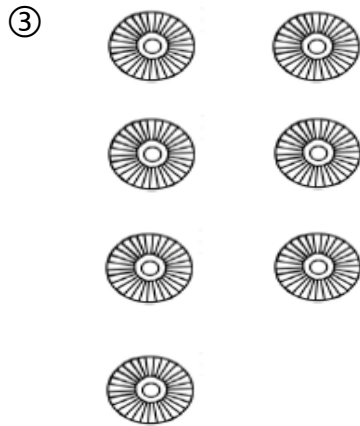
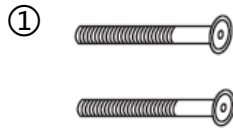
Label	Picture	Description	QTY
A		Chair Backrest	1
B		Chair Seat	1
C		Leg	4

Hardware

Label	Picture	Description	QTY
①		Bolt (M8*70 MM)	2
②		Washer	2
③		Gasket	7
④		Allen Wrench	1
⑤		Spring Washer	2

Assembly Preparation

Before Beginning Assembly:



- Read instructions, cover to cover-



- Have 2 adults on hand for assembly-



- Do not assemble on flooring or carpet-



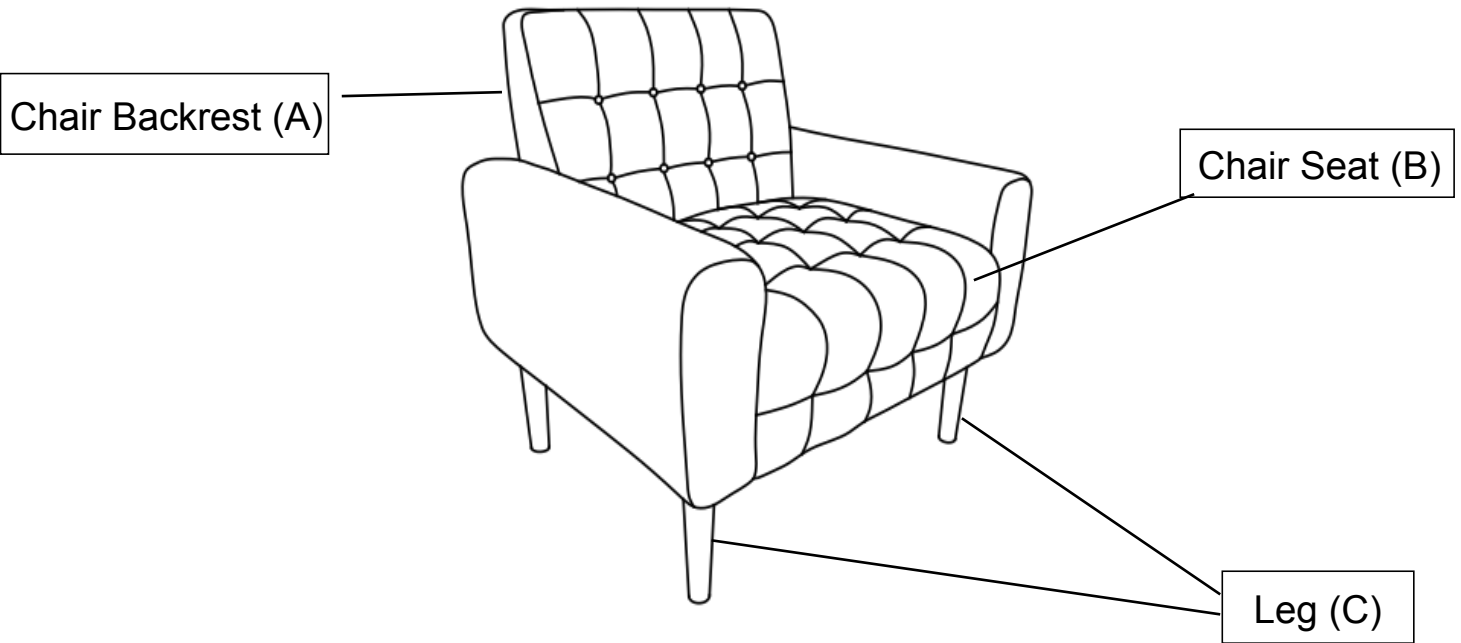
- Assemble on a clean non-marring surface (packing foam)-



- Save all packaging until finished-

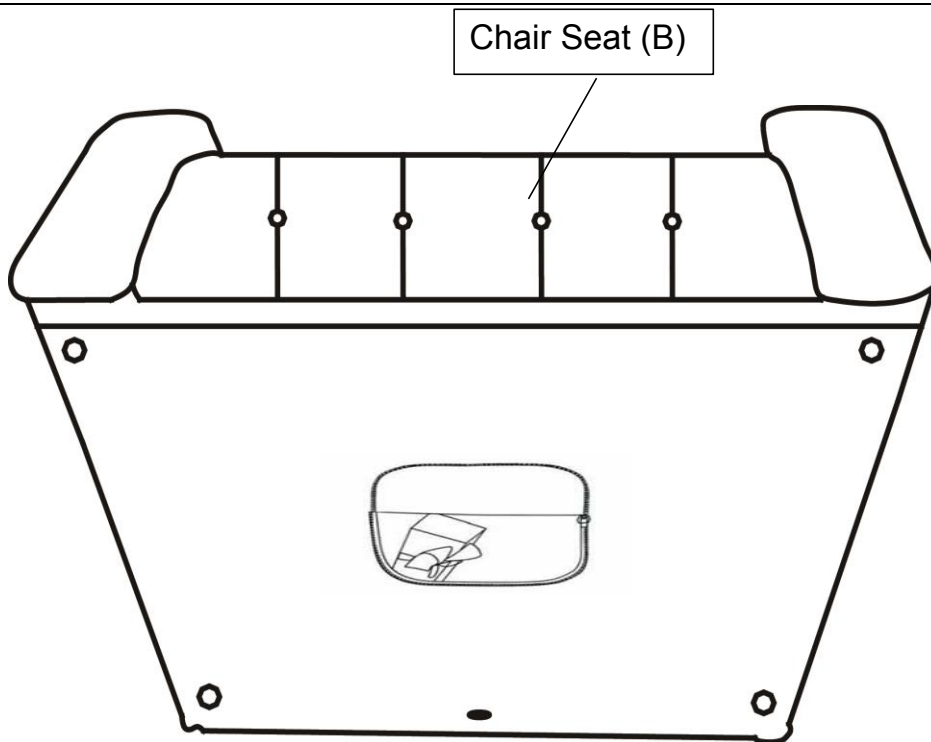
Assembly Steps

Overview



This Club Chair has multiple parts and may require up to 30 minutes to assemble. To give you an overview of the Club Chair, the above picture is to help you put the various parts into perspective. Please read through the instructions below to familiarise yourself with the parts and steps before assembly.

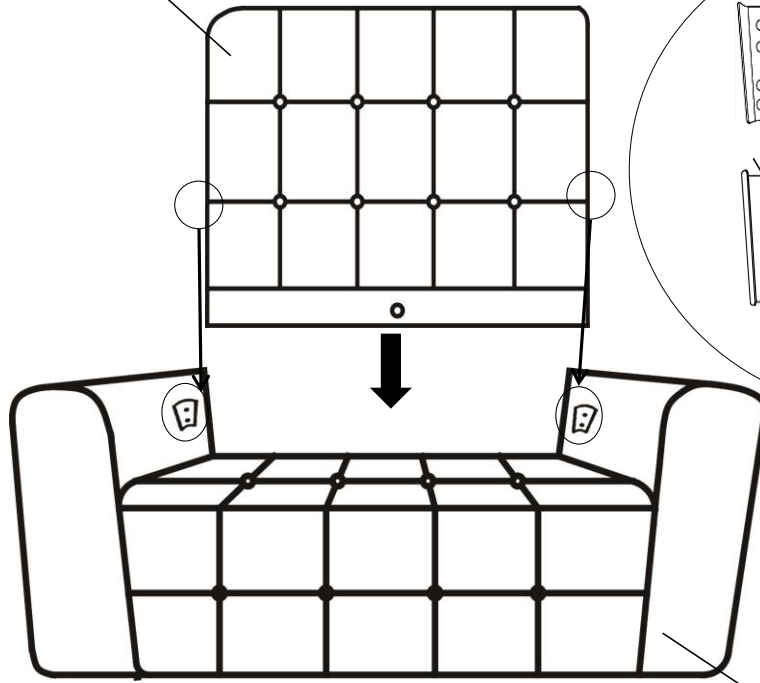
Step 1



Position the Chair Seat(B) on its back, on a clean, non-marring surface.
Unzip the pouch and remove the Legs(C) and Hardware.
Close the pouch before assembling.

Step 2

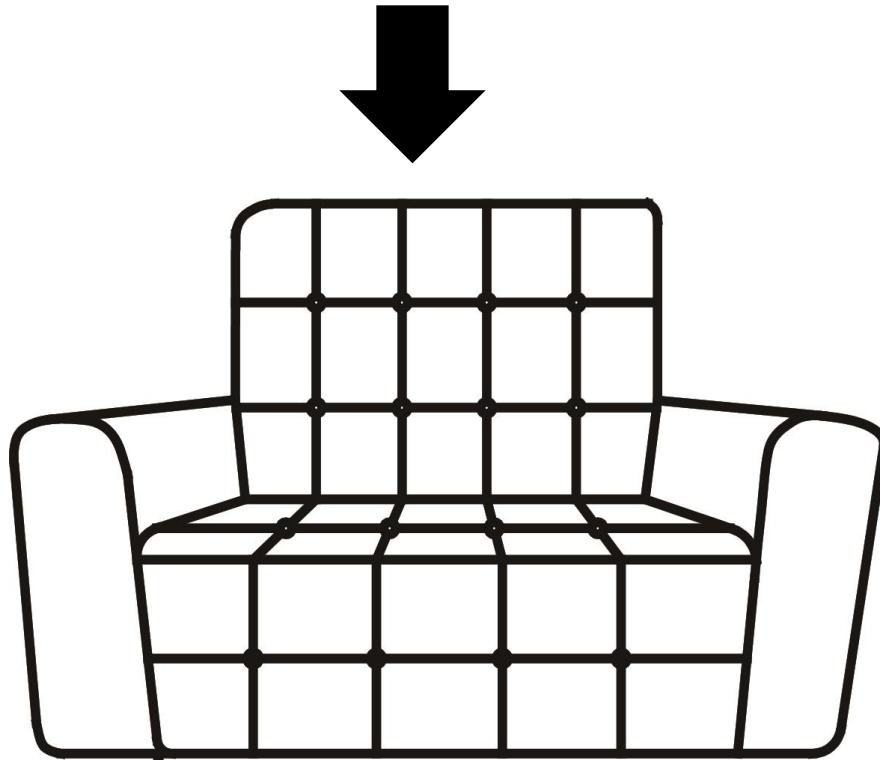
Chair Backrest(A)



Tapered
Connectors on
Chair Backrest(A)

Tapered
Connectors on
Chair Seat(B)

Chair Seat(B)



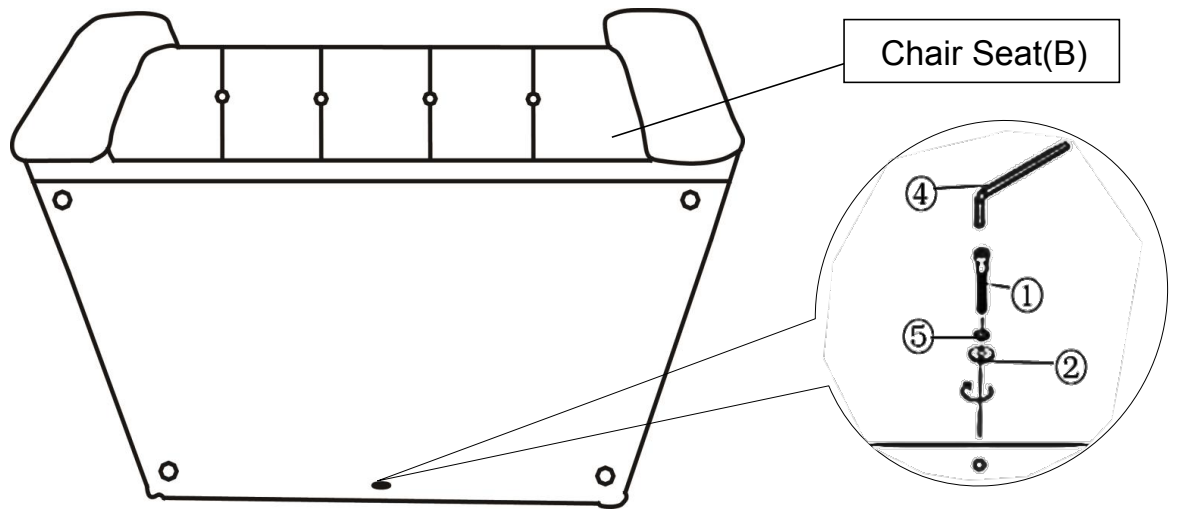
Lift the Chair Backrest(A) up, and align it to the Chair Seat(B).

Align the Tapered Connectors on the Chair Backrest(A) and Chair Seat(B), then slide the Chair Backrest(A) downwards, in a gradual and balanced manner into the Tapered Connectors. Push the Chair Backrest(A) downwards until it is fully slotted and locked into position.

Note: Make sure the Tapered Connectors on the Chair Backrest(A) lock into the Tapered Connectors on Chair Seat(B).

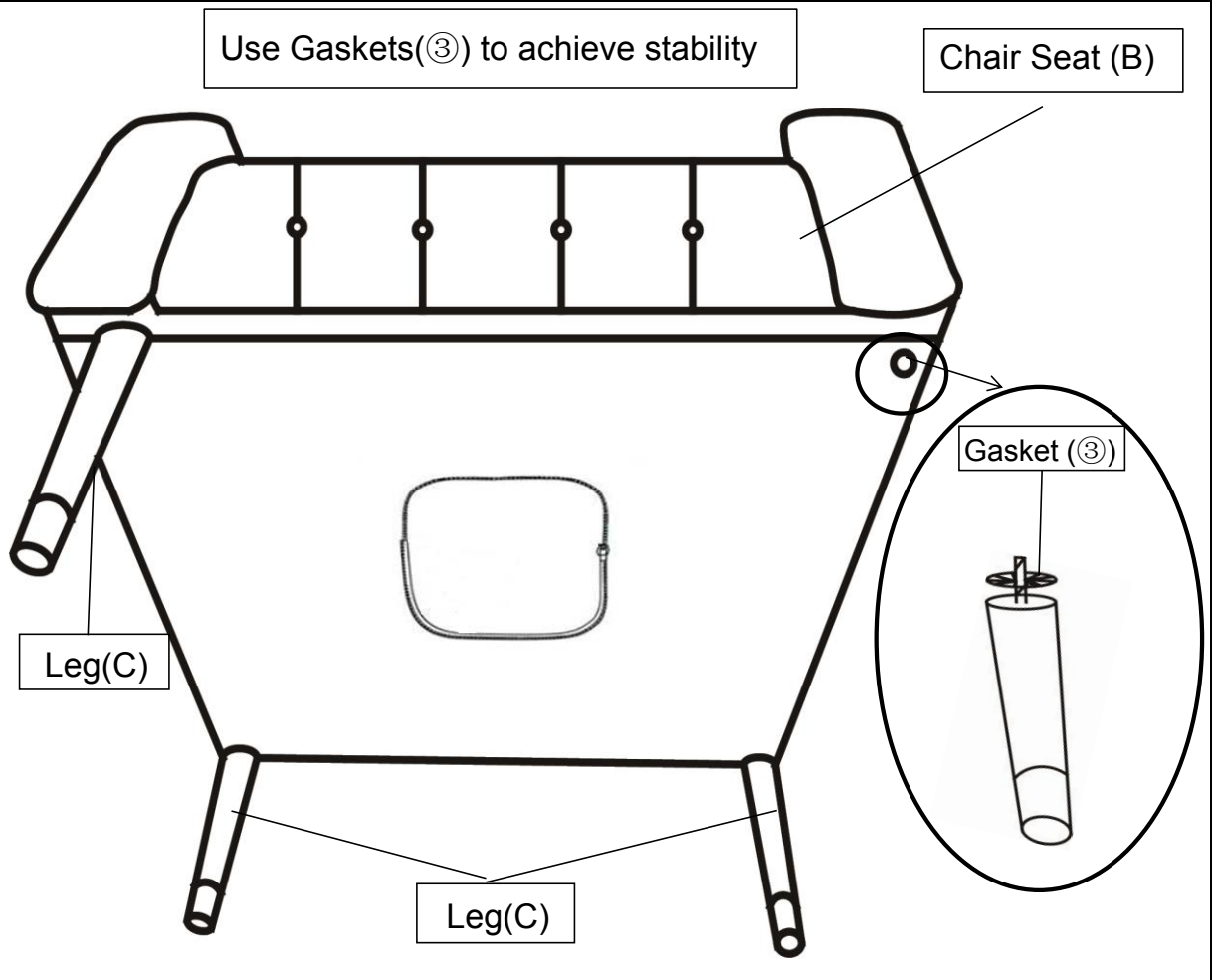
Fully locked position: Check that the base of the Chair Backrest(A) and the Chair Seat(B) are aligned and level.

Step 3



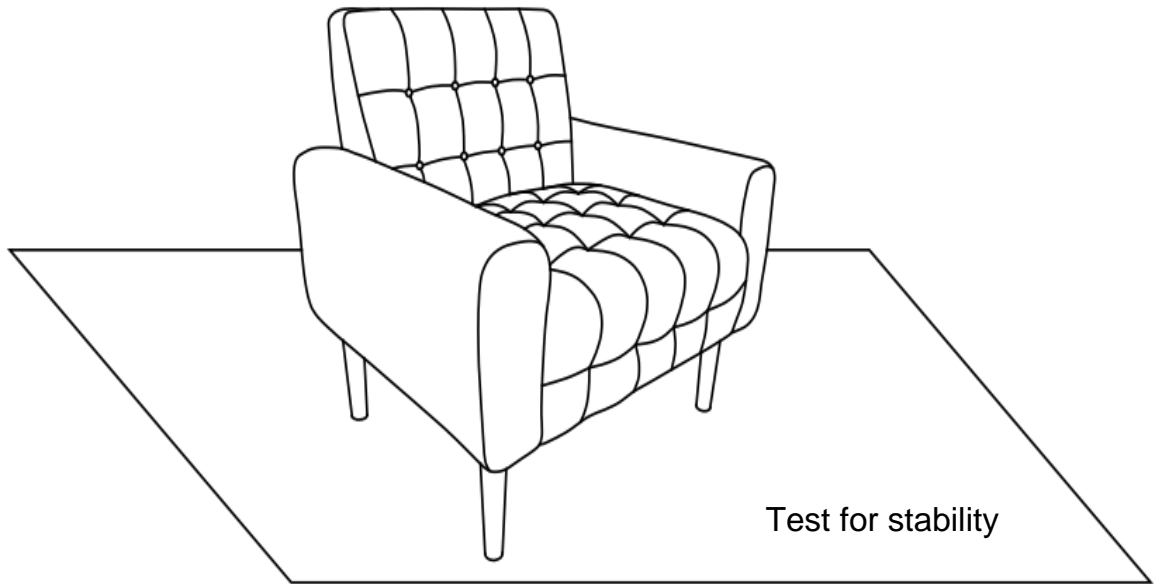
Put the Chair Backrest(A) down as shown in above picture.
Attach Chair Seat(B) to Chair Backrest(A) using Bolt(①), Spring Washer(⑤), and Washer(②) with Allen Wrench(④) as pictured above.
Tighten the Bolt fully.

Step 4



Install the Legs(C) at the base of the Chair Seat(B).
Insert threaded stems of Legs(C) into the mounting position at the corners of the Chair Seat(B).
Tighten by turning the Leg clockwise by hand.
Note: The use of Gaskets (③) are OPTIONAL and are especially useful to help alleviate slight wobbles. Some Legs may need more than one gasket whilst some Legs may not need any.

Step 5



Your Club Chair is ready for use.
This Club Chair can only be used on a flat, level surface.