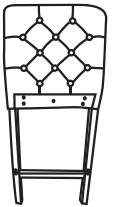
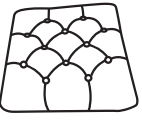
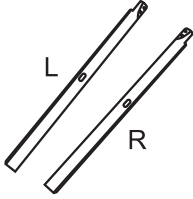
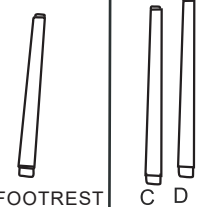





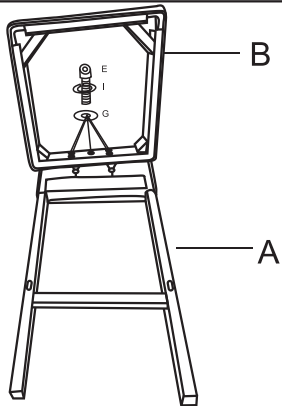


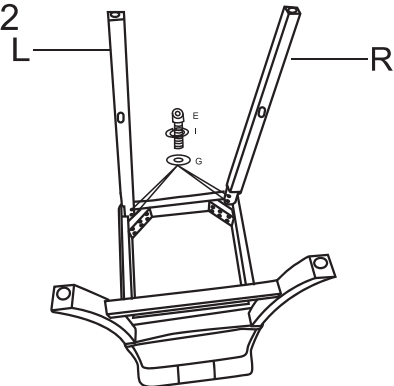
	Ax1 BACK	Bx1 SEAT	Cx2 FRONT LEGS	Dx3 SIDE STRETCHERS-CD FOOTREST	Ex9 SCREWS	Fx6 TAPPING SCREWS	Gx9 WASHER	Hx1 SPANNER	Ix9 SPRING WASHER
					 M8x60mm	 M4.5x45mm			

STEP1



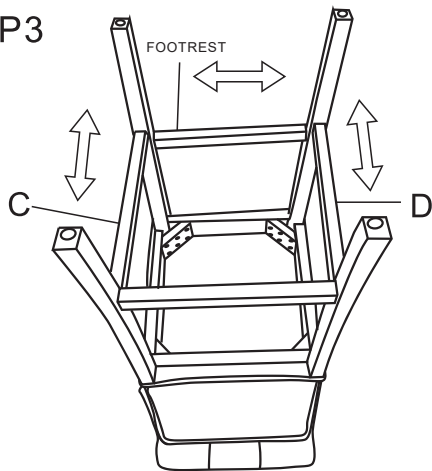
Loosely install the center bolt first, then loosely install both sides

STEP2



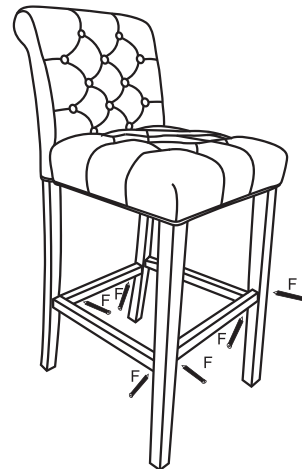
Firm pressure is required to push legs into the leg pockets

STEP3



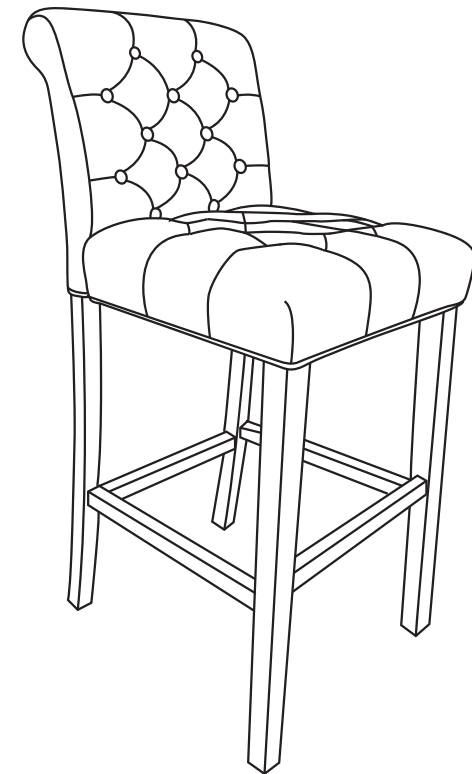
Note: Side stretchers are directional

STEP4



Tighten all bolts properly on even ground

ASSEMBLY INSTRUCTION



CLEANING OF PU\LEATHER COVER - WIPE CLEAN WITH A SOFT CLOTH MOISTENED WITH WATER AND NEUTRAL DETERGENT. DO NOT USE BLEACH,CHEMICAL OR BIOLOGICAL CLEANERS.