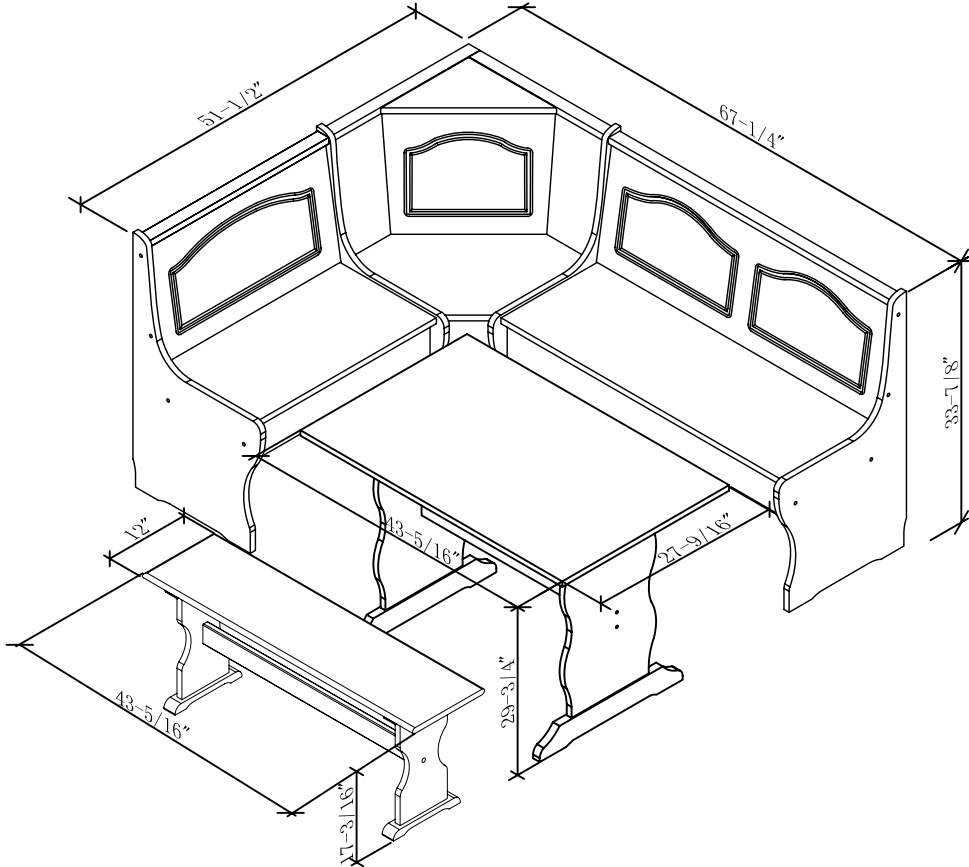


ASSEMBLY INSTRUCTION




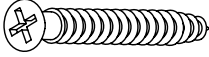

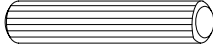
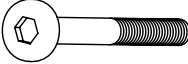


WE ARE HERE TO HELP!

IMPORTANT:
PLEASE READ ALL INSTRUCTIONS IN THIS BOOKLET BEFORE STARTING ASSEMBLY.
MADE IN CHINA

HARDWARE PACKAGE COUNT (TABLE)

OPEN HARDWARE PACKAGE ON A FLAT SURFACE COVERED WITH NEWSPAPER. COUNT EACH PIECE OF HARDWARE TO MATCH THE QUANTITY NUMBER IN THE HARDWARE IDENTIFICATION COLUMN. CALL CUSTOMER SERVICE IF ANY PARTS ARE MISSING. FOLLOW THE LETTER IDENTIFICATION WHEN READING THE ASSEMBLY DRAWING "D" THROUGH "J"

HARDWARE IDENTIFICATION

D		SCREW 1"LONG 5X25mm	8
E		SCREW 2"LONG 5X50mm	8
F		WOOD HOLE COVER	4
G		WOOD DOWEL 2"LONG 10X50mm	10
H		SCREW 1-3/4"LONG 6X45mm	4
I		NUT	4
J		ALLEN WRENCH	1

IMPORTANT:

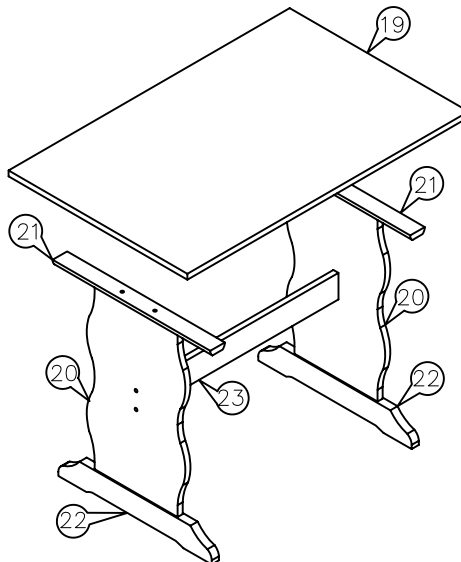
PLEASE USE ALL THE HARDWARE MENTIONED ABOVE.
THEY WILL ASSURE THE ITEM STABILITY AND SAFETY.

TOOLS REQUIRED

AN ALLEN WRENCH (J) (PROVIDED) AND A STANDARD PHILLIPS HEAD SCREWDRIVER (NOT PROVIDED) ARE REQUIRED TO ASSEMBLE THIS TABLE. USE A PLASTIC HEAD Mallet TO TAP IN WOODEN DOWELS. NOTE: A PIECE OF WOOD CAN ALSO BE USED TO KNOCK IN WOODEN DOWELS. BEFORE YOU BEGIN ASSEMBLY, SELECT AN OPEN SPACE, PREFERABLY ON A CARPET AREA. IF ASSEMBLING ON A HARD SURFACE OR ON FLOOR, USE BLANKET TO PREVENT SCRATCHING FURNITURE AS WELL AS FLOOR.

PARTS IDENTIFICATION

- 19- TABLE TOP
- 20- LEGS (X2)
- 21- TABLE TOP SUPPORT (X2)
- 22- LEGS BASE (X2)
- 23- CROSSBAR



STEP 1)

- 1.1 INSERT (10) WOODEN DOWELS (G) INTO HOLES LOCATED AT BOTH ENDS OF LEGS #20 AND CROSSBAR #23, AS SHOWN IN FIGURE 1.

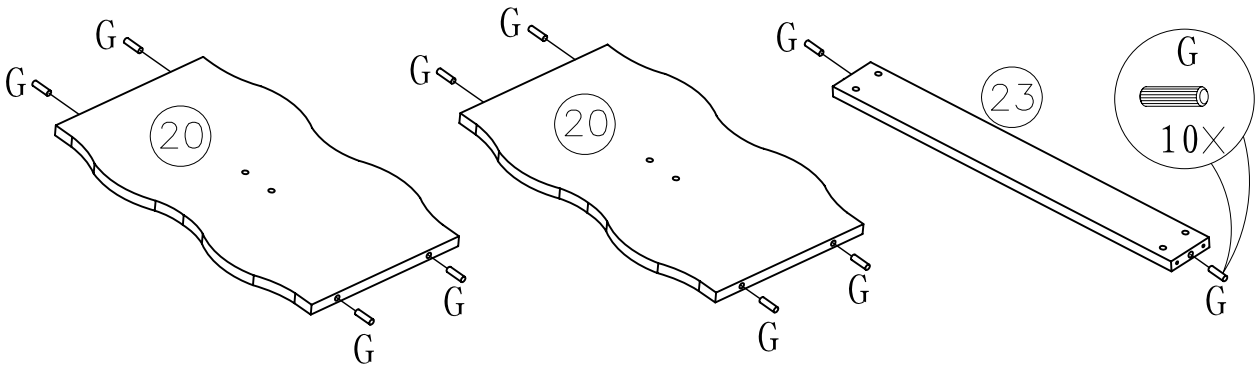


FIGURE 1

STEP 2)

- 1) ATTACH LEG BASE #22 TO LEG #20 THROUGH FITTING DOWELS LOCATED ON LOWER END OF LEG #20 INTO HOLES LOCATED ON UPPER EDGE OF BASE #22 AS GUIDE, SECURE CONNECTION WITH (02) SCREWS (E) DRIVEN WITH ALLEN WRENCH (J). AS SHOWN IN FIGURE 2. REPEAT PROCEDURE FOR SECOND LEG #20.
- 2) ATTACH TABLE TOP SUPPORT #21 TO LEG #20 FITTING THE DOWELS LOCATED ON UPPER END OF LEG #20 INTO HOLES LOCATED ON SUPPORT #21. USING PRE-DRILLED HOLES AS GUIDE, SECURE CONNECTION WITH (02) SCREWS (E) DRIVEN WITH ALLEN WRENCH (J). AS SHOWN IN FIGURE 2. REPEAT PROCEDURE FOR SECOND TOP SUPPORT #21.

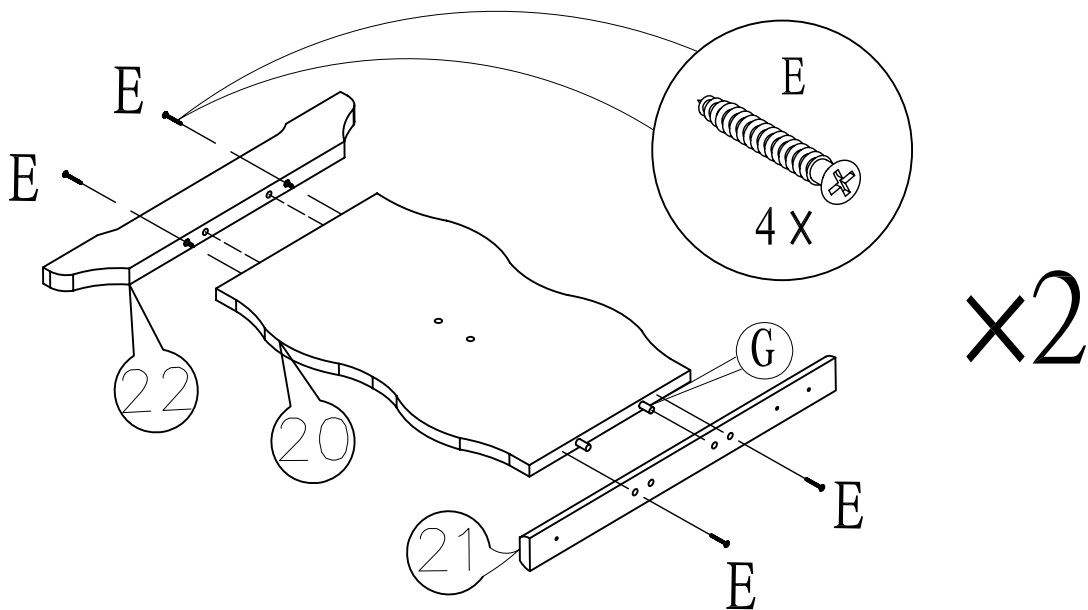


FIGURE 2

STEP 3)

- 1) ATTACH CROSSBAR #23 TO LEGS #20 INSERTING WOOD DOWELS LOCATED AT ENDS OF CROSSBAR INTO HOLES LOCATED ON LEGS. SECURE CONNECTION USING (04) SCREWS (H) AND (04) NUTS (I). AS SHOWN IN FIGURE 3.
- 2) INSERT (04) WOOD HOLE COVERS (F) INTO HOLES LOCATED AT LEGS #20 AS SHOWN IN FIGURE 3.

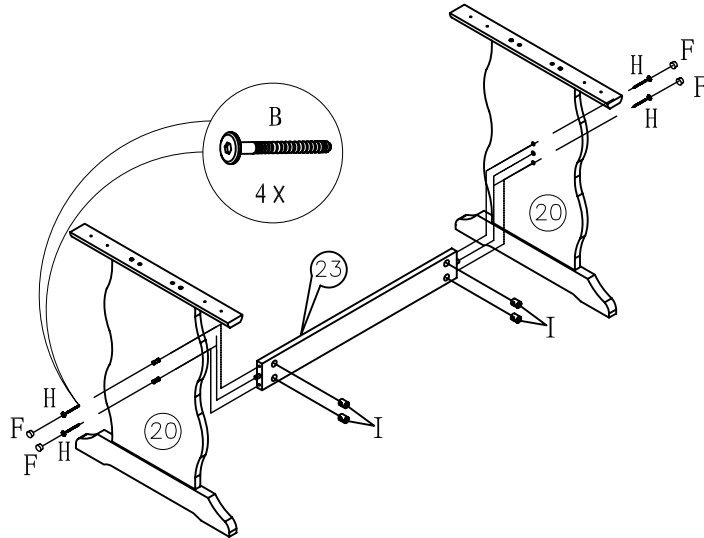


FIGURE 3

STEP 4)

- 1) ATTACH ASSEMBLED LEGS TO TABLE TOP #19 THROUGH FITTING WOOD DOWELS PRESENT IN UPPER SIDE OF TOP SUPPORTS #21 INTO HOLES LOCATED UNDERNEATH OF TABLE TOP #19 AS SHOWN IN FIGURE 4. IT SERVES AS GUIDE ENABLING YOU TO CONNECT THE LEGS IN CORRECT POSITION.
- 2) USING PRE-DRILLED HOLES AS GUIDE, SECURE CONNECTION WITH (08) SCREWS (D) DRIVEN WITH SCREWDRIVER AS SHOWN IN FIGURE 4.
- 3) USING HELP, GENTLY FLIP TABLE WITH BOTH LEGS ON FLOOR AS SHOWN ON PAGE 1. HOLD ON ALLEN WRENCH (J) AND PERIODICALLY CHECK ALL CONNECTIONS FOR TIGHTNESS.

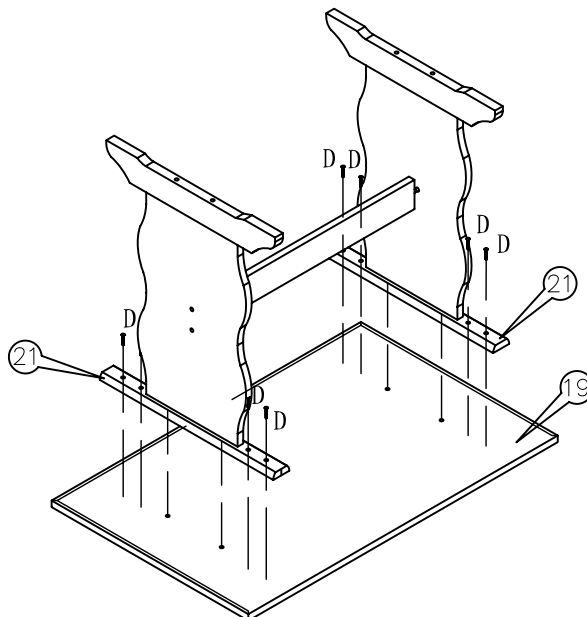


FIGURE 4