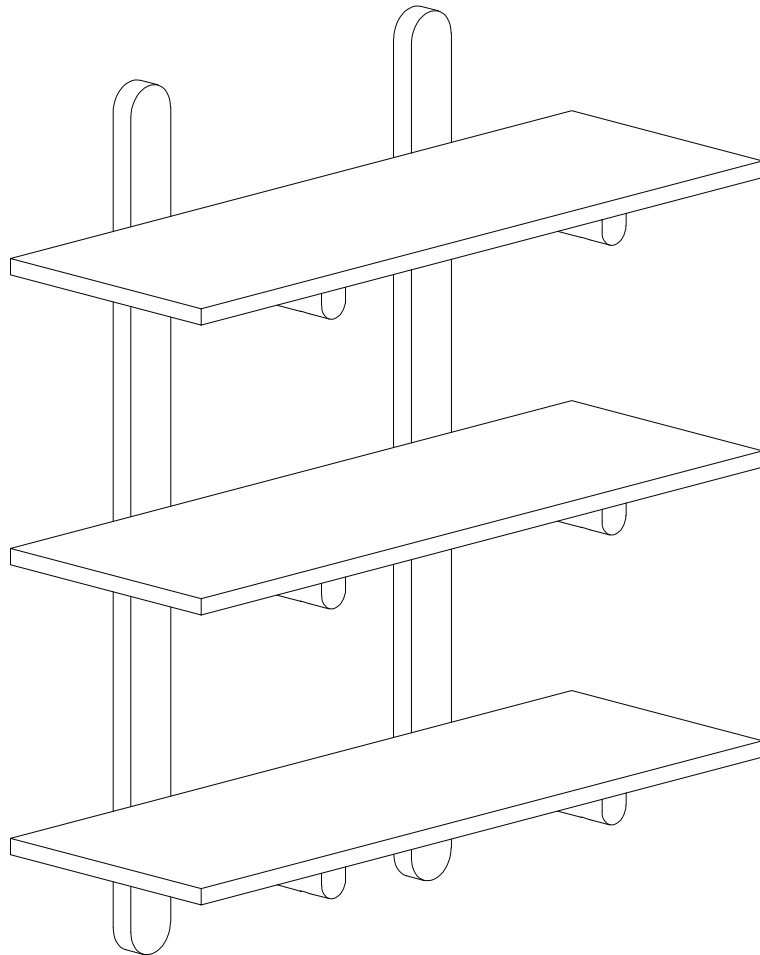


Let's build the

Frankie Wall Shelf

SKU 66510



Scan me!

Free Lifetime
Guarantee

 **nathan james**

26-0407-VN

Ok, let's get rolling

This should be easy, just follow our instructions and you will be back to Netflix in no time.

Estimated time for assembly

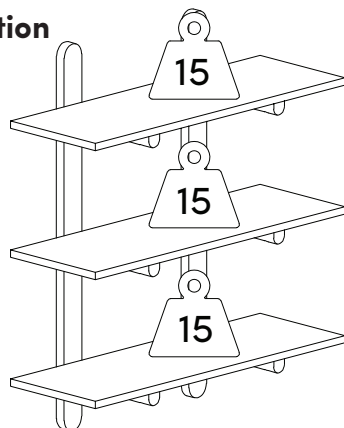


45:00

What you need

- Some of your favorite bubbly or your preferred relaxant
- Use the packaging carton as a working surface to prevent product damage during assembly
- Phillips-head screwdriver
- 1/4" or 5/16" drill bit

Weight Limitation



Shelf Max. Capacity: 15 lbs per shelf

Toll-free at 1-866-619-1004
Help@nathanjames.com
Nathanjames.com/help

What's included

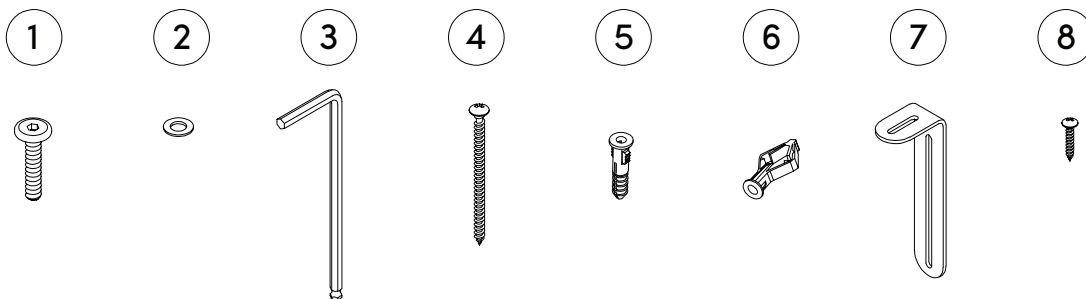
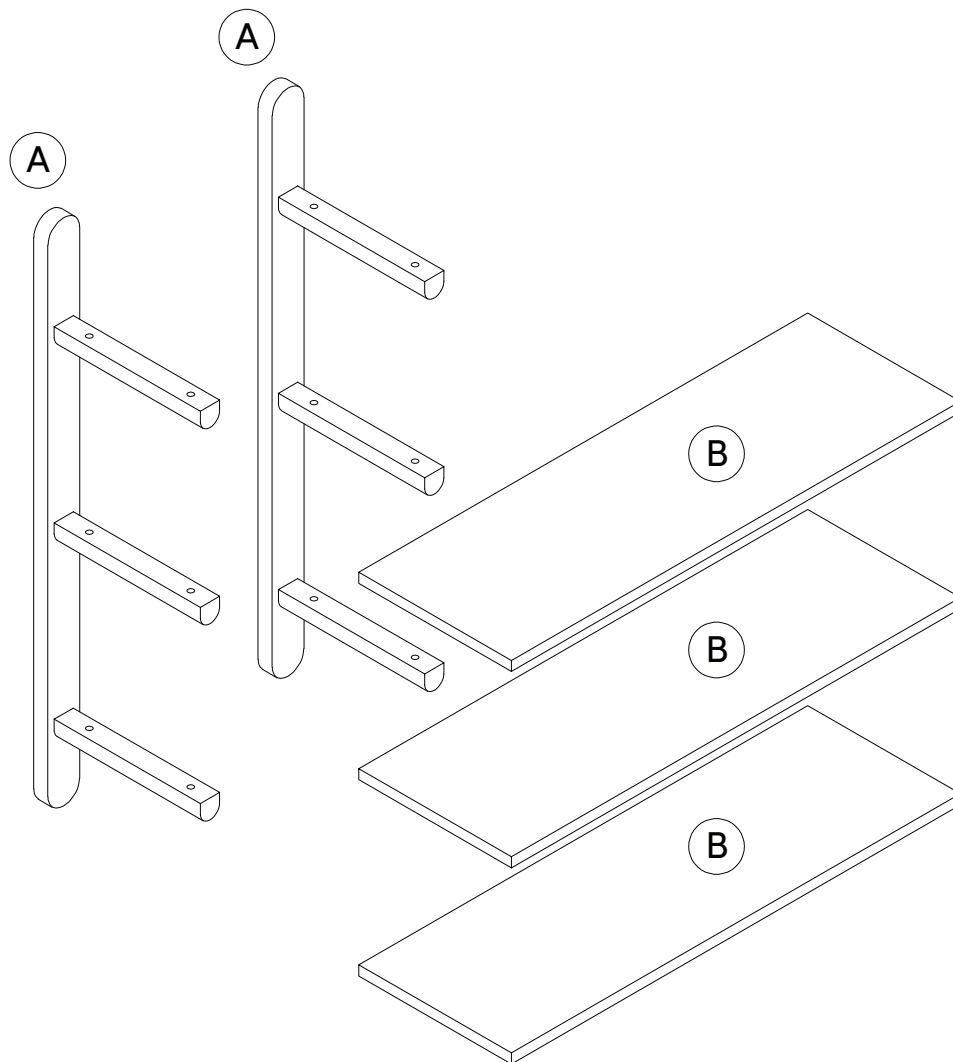
	Description	Qty
A	Vertical Support Frame	2
B	Shelf	3
1	Ø 1/4" x 35mm Hex Button Head Bolt	12
2	Ø 1/4" x 13mm Flat Washer	12
3	Allen Key	1
4	M4 x 50mm Screw	3
5	Non-drywall Wall Anchor	3
6	Drywall Wall Anchor	3
7	Metal Bracket	1
8	M4 x 15mm Screw	1

Scan me!

Free Lifetime
Guarantee



The goods



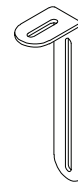
IMPORTANT

1. Do not tighten bolts / screws completely until all bolts / screws are lined up and inserted into holes.
2. Do not over-tighten screws and bolts to avoid stripping.
3. Please use hand tools to assemble this product.

Step 1

Lay down the packaging or use your carpet as a protective work surface and let's get started!
Secure the Metal Bracket (7) to the middle Shelf (B) by using Screw (8) as shown below.

7

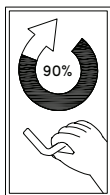


x1pc

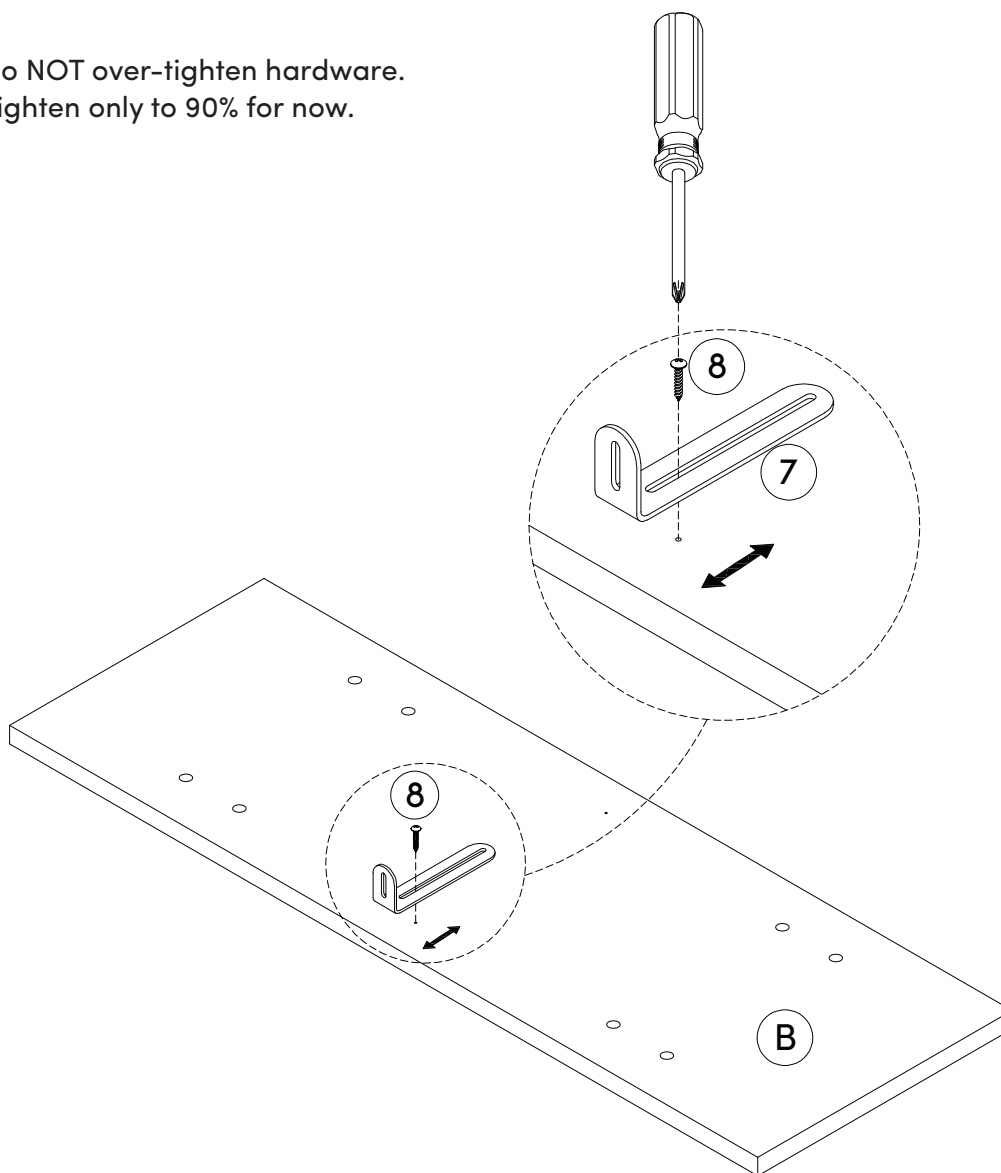
8



x1pc



Do NOT over-tighten hardware.
Tighten only to 90% for now.



Step 2

It's as easy as it looks! Align the Shelves (B) with the Vertical Support Frame (A) as shown.

Next, slide the $\text{Ø}1/4"$ x 13mm Flat Washer onto the $\text{Ø}1/4"$ x 35mm Hex Button Head Bolt.

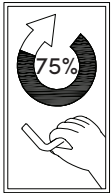
Finally, use these parts and the Allen Key (3) to begin to secure the Shelves (B) in place.



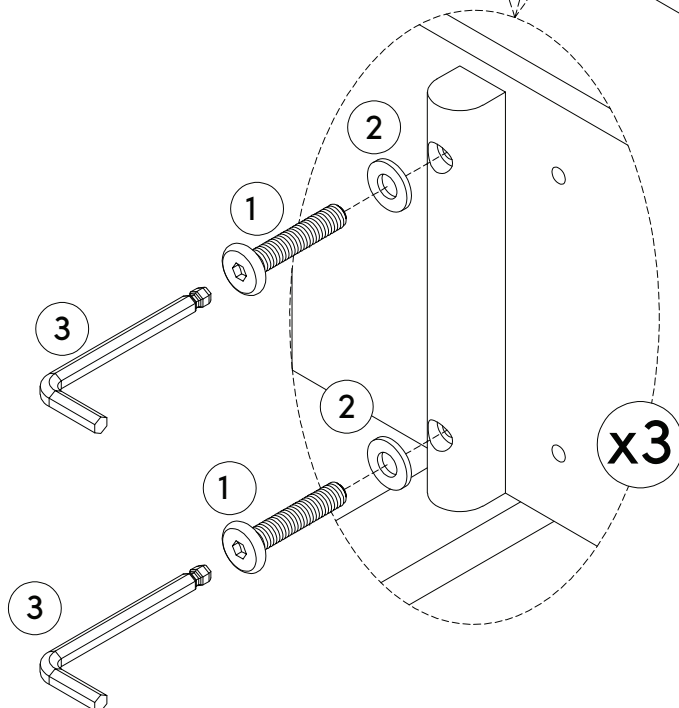
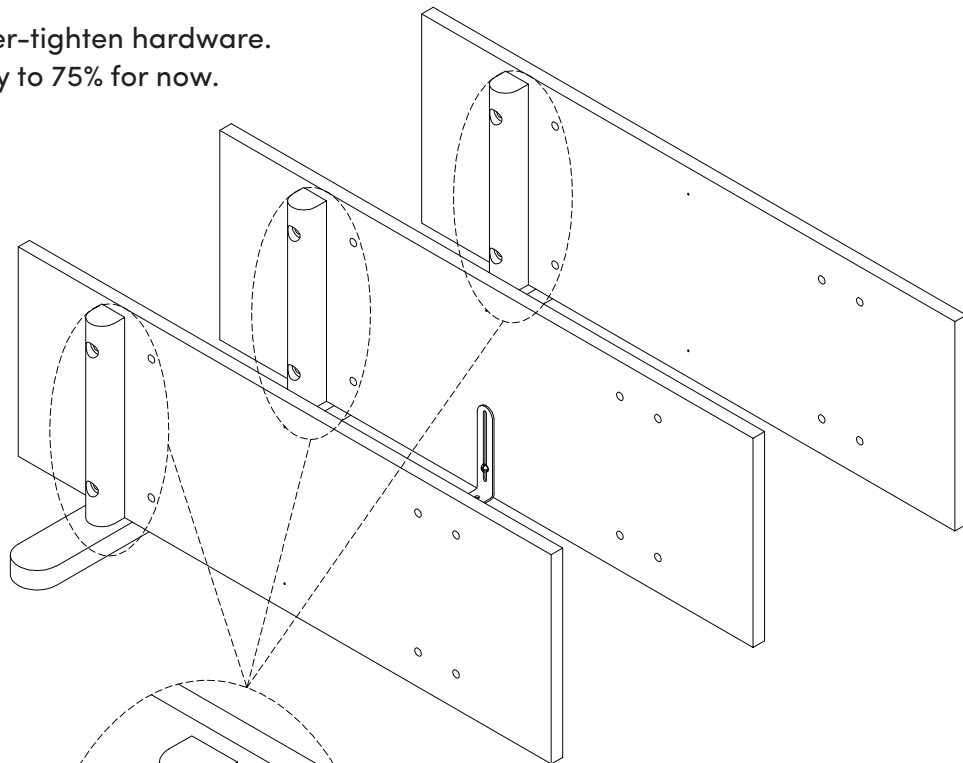
x6pcs



x6pcs



Do NOT over-tighten hardware.
Tighten only to 75% for now.



Important Note:

You will notice multiple sets of holes on the underside of each Shelf (B). We have provided you the option to choose the spacing between the Vertical Support Frames.

Step 3

Now, align the other Vertical Support Frame (A) with the assembly from Step 2.

Next, slide the $\text{Ø}1/4" \times 13\text{mm}$ Flat Washer onto the $\text{Ø}1/4" \times 35\text{mm}$ Hex Button Head Bolt.

Finally, use these parts and the Allen Key (3) to begin securing this Vertical Support Frame (A) in place.

1

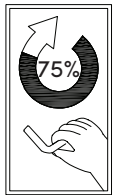


x6pcs

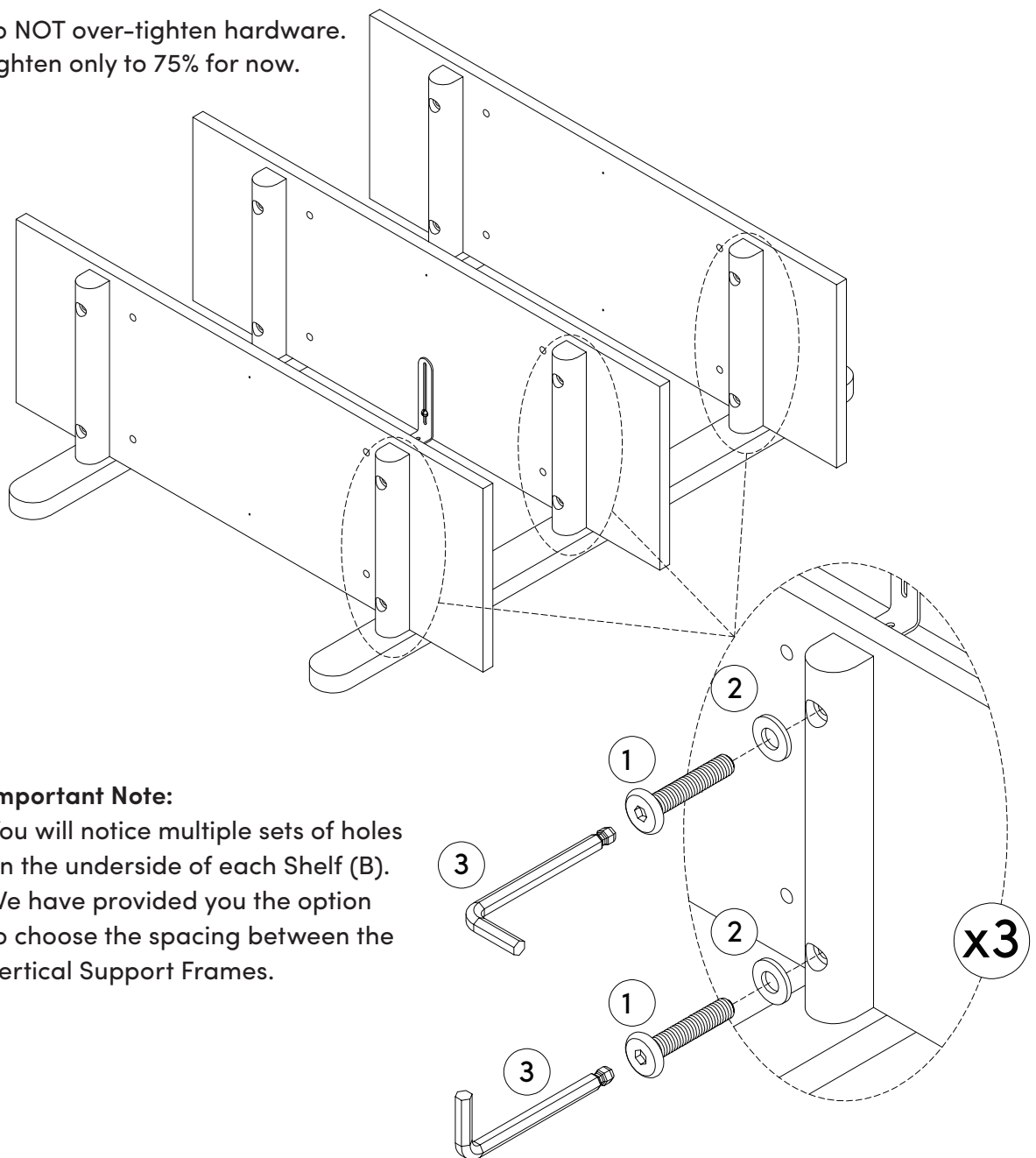
2



x6pcs



Do NOT over-tighten hardware.
Tighten only to 75% for now.

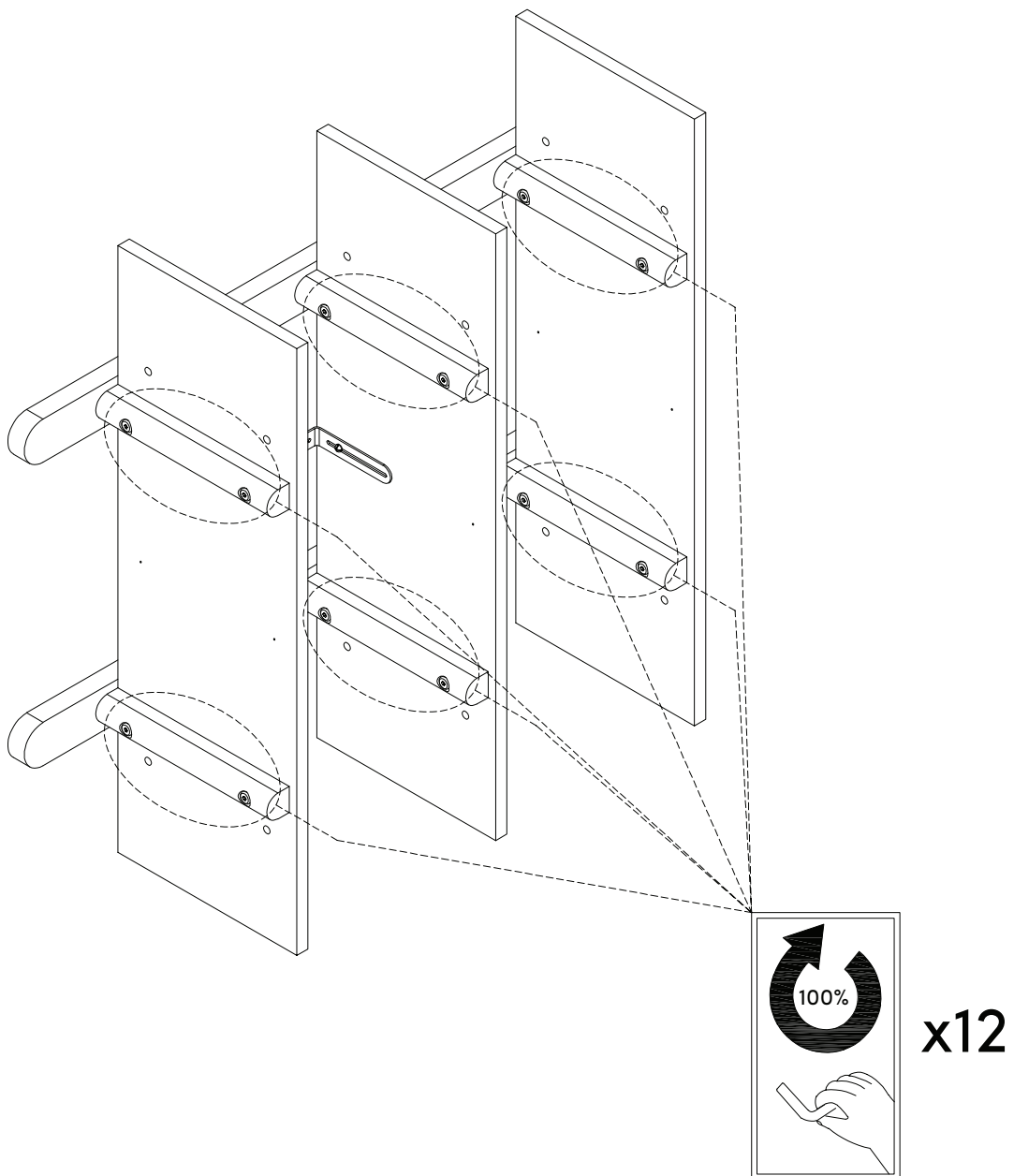


Important Note:

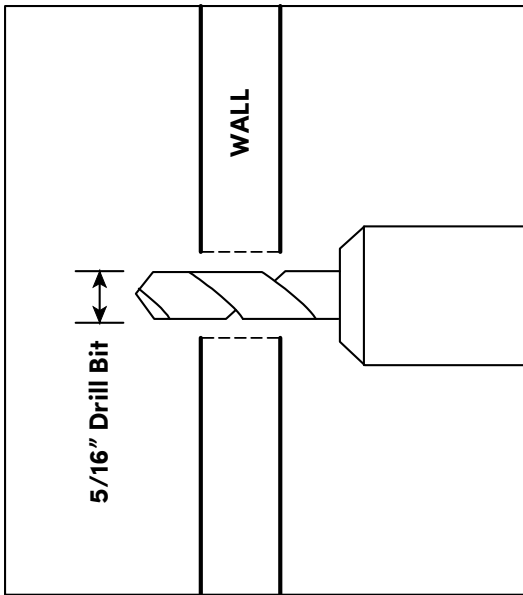
You will notice multiple sets of holes on the underside of each Shelf (B). We have provided you the option to choose the spacing between the Vertical Support Frames.

Step 4

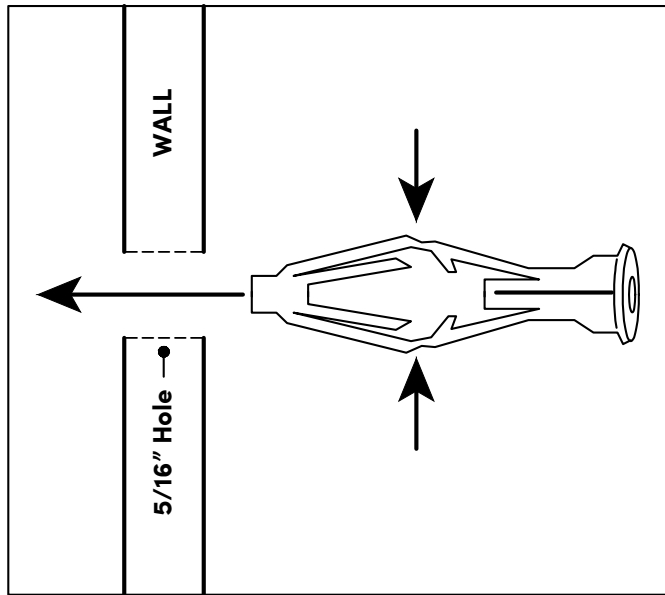
First, place the side of the shelf down on a level surface, as shown, then tighten all Bolts (1) until they are securely fastened.



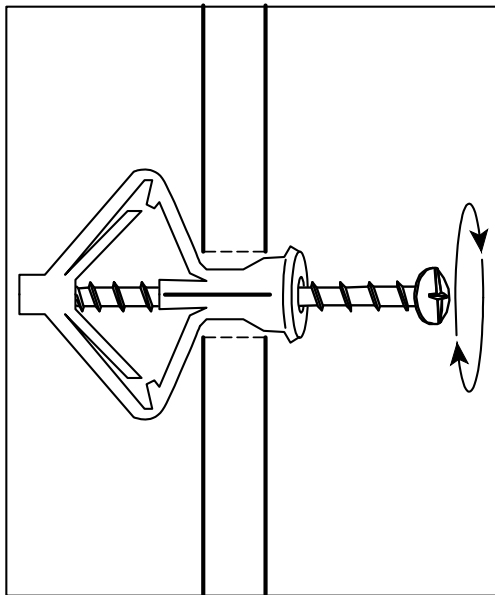
How to Use Drywall Anchors



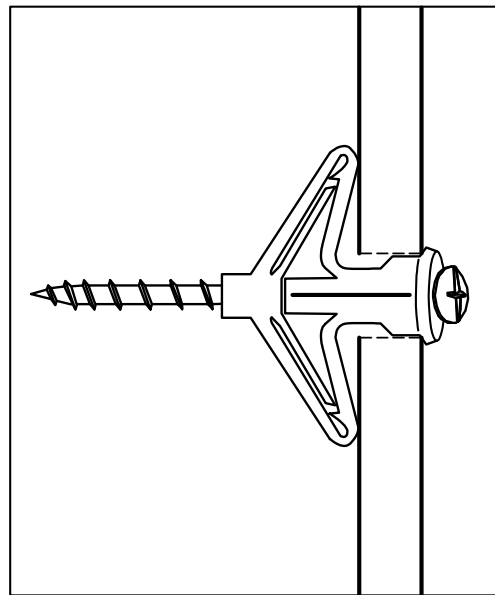
1. Drill a 5/16 hole.



2. Pinch and insert.



3. Begin tightening.



4. Anchor is secure when screw is tightened to 100%.

Step 5

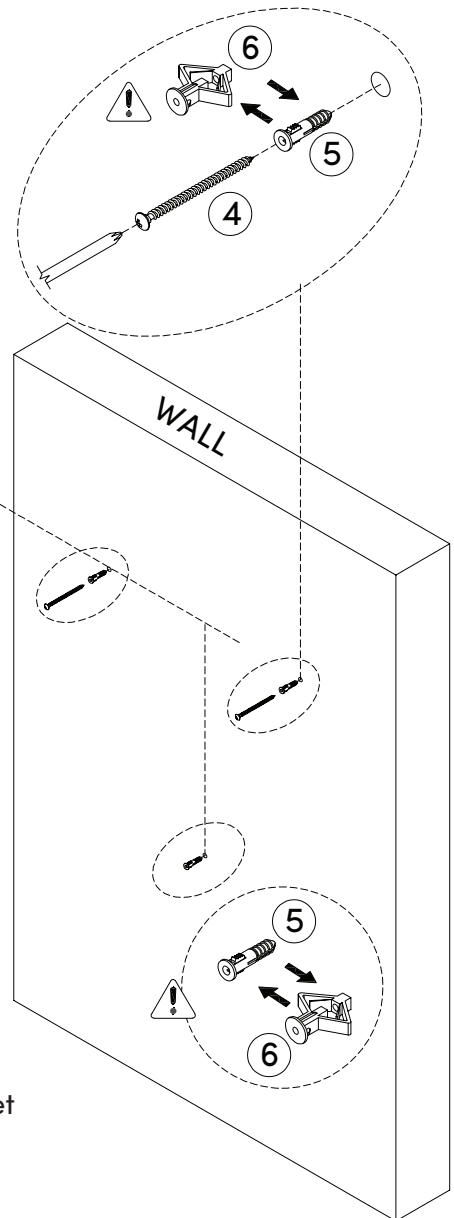
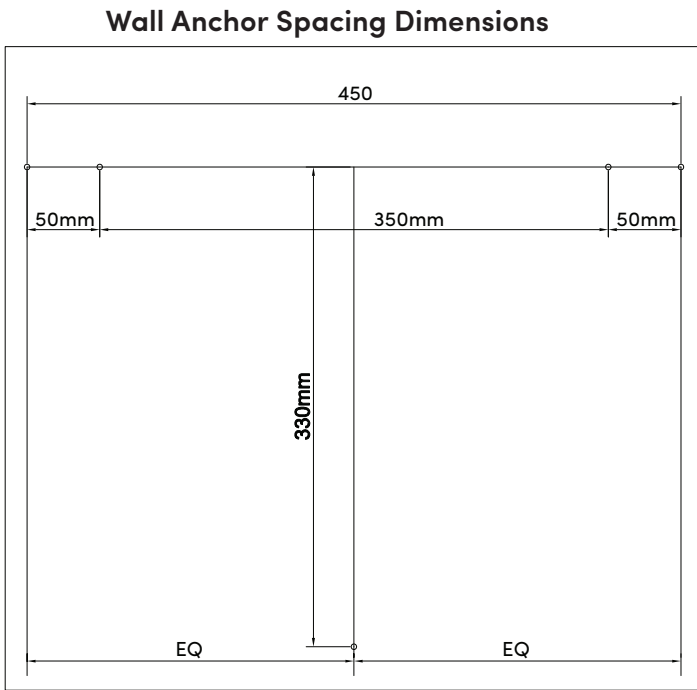
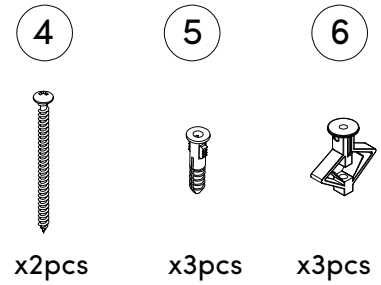
First, choose your desired shelf location on the wall. Then, using the Wall Anchor Spacing Dimensions graphic below, mark the positions where you will need to drill holes for the Non-Drywall Wall Anchors (5) or Drywall Wall Anchors (6), depending on your wall type. Using a 1/4" or 5/16" drill bit, drill holes at the marked positions, before inserting the appropriate wall anchors (5) or (6) depending on your wall type.

Finally, fasten a M4 x 50mm Screw (4) into each of the top holes, leaving a small gap between the screw head and the wall to allow the unit to hang. Do not fasten a screw into the bottom hole yet.

Important Note:

Drywall requires Drywall Anchor (6);
drill holes using 5/16" drill bit.

Non-Drywall requires Non-Drywall Anchor (5);
drill holes using 1/4" drill bit.



Important Note: Remember your options from Step 2? The graphic above shows the hole spacing dimensions for both Vertical Support Frame (A) spacing options. For this step, you will only need to drill 3 holes respective to which set of holes you chose earlier when completing Step 2.

Step 6

Finally, lift the assembled wall shelf towards the wall and align the top keyhole brackets on the back of the Vertical Support Frames (A) with the top screws from Step 5.

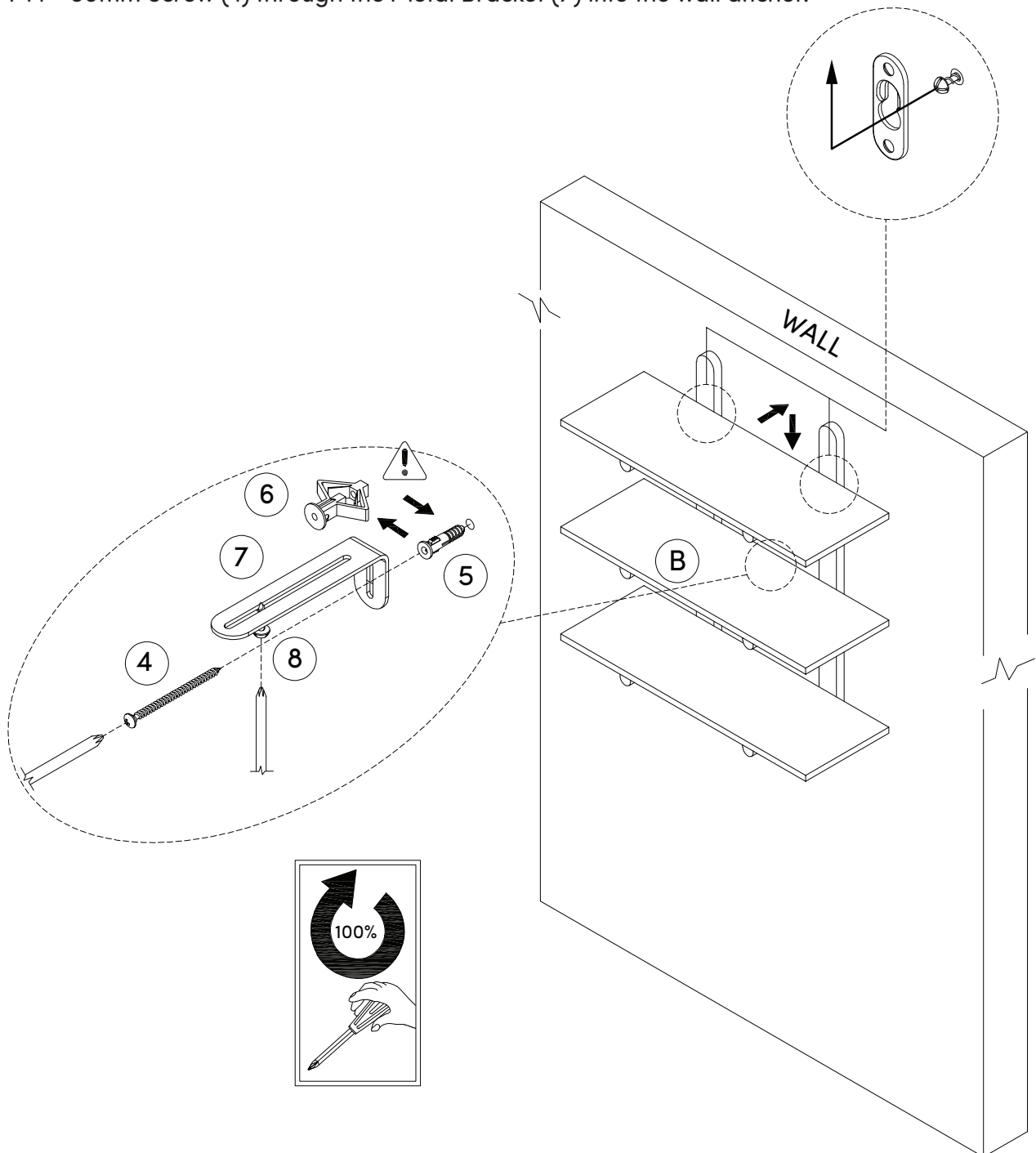
Slowly lower the shelf onto the top screws, ensuring it is securely seated before letting go.

Once the shelf is hanging in place, secure the Metal Bracket (7) to the wall by first adjusting it so that it sits flush against the wall. Then, tighten the M4 × 15mm Screw (8) on the underside of the shelf fully before finally fastening the M4 × 50mm Screw (4) through the Metal Bracket (7) into the wall anchor.

4

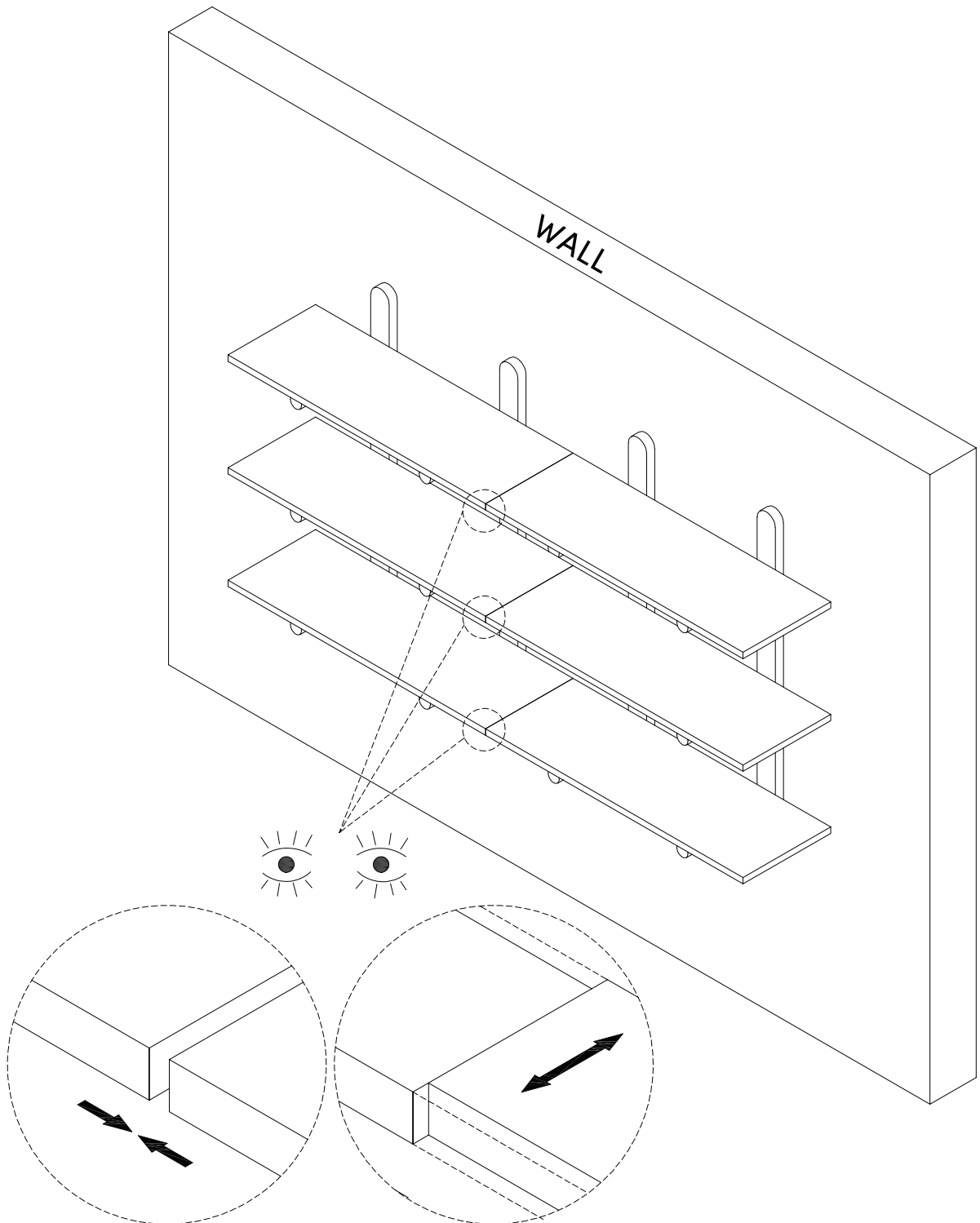


x1pc



Combination:

If there is a gap between the two shelves, loosen the bolts and adjust the shelves back and forth or left and right until they are aligned.



No heartburn, when we handle the return

Give us a call **1-866-619-1004** or shoot us a message at **help@nathanjames.com** we will issue you a free replacement with **zero hassle**.

Our way



Give us a call



Replacement



You

Their way



Re-package item



Schedule pick up



Track package



Replacement



You

We really don't want you to go through the hassle of re-packaging your item and sending it back, because let's be honest...nobody has time for that.

Safety first, fun later

We want your product to last as long as possible, so we recommend that you tighten the screws 2 weeks after assembly and for added safety, check the tightness of all screws every 2 months.

For proper care and treatment, please check our website at NathanJames.com/products

Safe use of this product starts with you.

Use this product responsibly with the primary concern for your safety. Follow assembly instructions carefully and inspect product upon receipt and each use.

Nathan James and its parent companies cannot be held legally responsible for any injuries or death resulting from failure to follow instructions or improper use of this product.

Do not modify the structure of this product in any way.

Our products have been tested to meet specific safety measures as they were originally intended to be sold. Any modifications will present the risk of creating significant safety issues which NJ will not be responsible for.

Proper use

- DO NOT** use for commercial purposes
- DO NOT** frolic on wall shelf
- DO NOT** use wall shelf as foot stool
- DO NOT** leave spilled liquid on shelves
- DO NOT** use if wall shelf is damaged
- DO NOT** make temporary repairs
- DO NOT** use outdoors

We are only in business if you're happy

For starters, thanks for being you.

☎ Toll-free at 1-866-619-1004

✉ Help@nathanjames.com

🌐 NathanJames.com/help

We do our best to ensure your furniture arrives without any problems, but occasionally mistakes happen—as humans we are imperfect beings. In the event that a part is damaged or missing, we will be more than happy to provide you with replacement part(s) for free.

Lifetime Guarantee

We believe in making things that last. That's why every product is backed by our Lifetime Guarantee. No hidden clauses. No runaround. If it breaks, we'll replace it—plain and simple. This isn't just a promise—it's our commitment to quality, and to you.

This product comes with a Lifetime Guarantee from the date of purchase. Please use your phone to scan the QR code on the cover of this booklet to register your product or visit <https://goo.gl/i9dk3q>



Did we do alright? Please spread the love!

If you are happy with your product, tell your friends and family about us, or even better, leave us a review online. Spreading the word gives us the opportunity to make more people happy and keep our prices low for your next purchase.

Brooke Burdon

Founder, Nathan James