

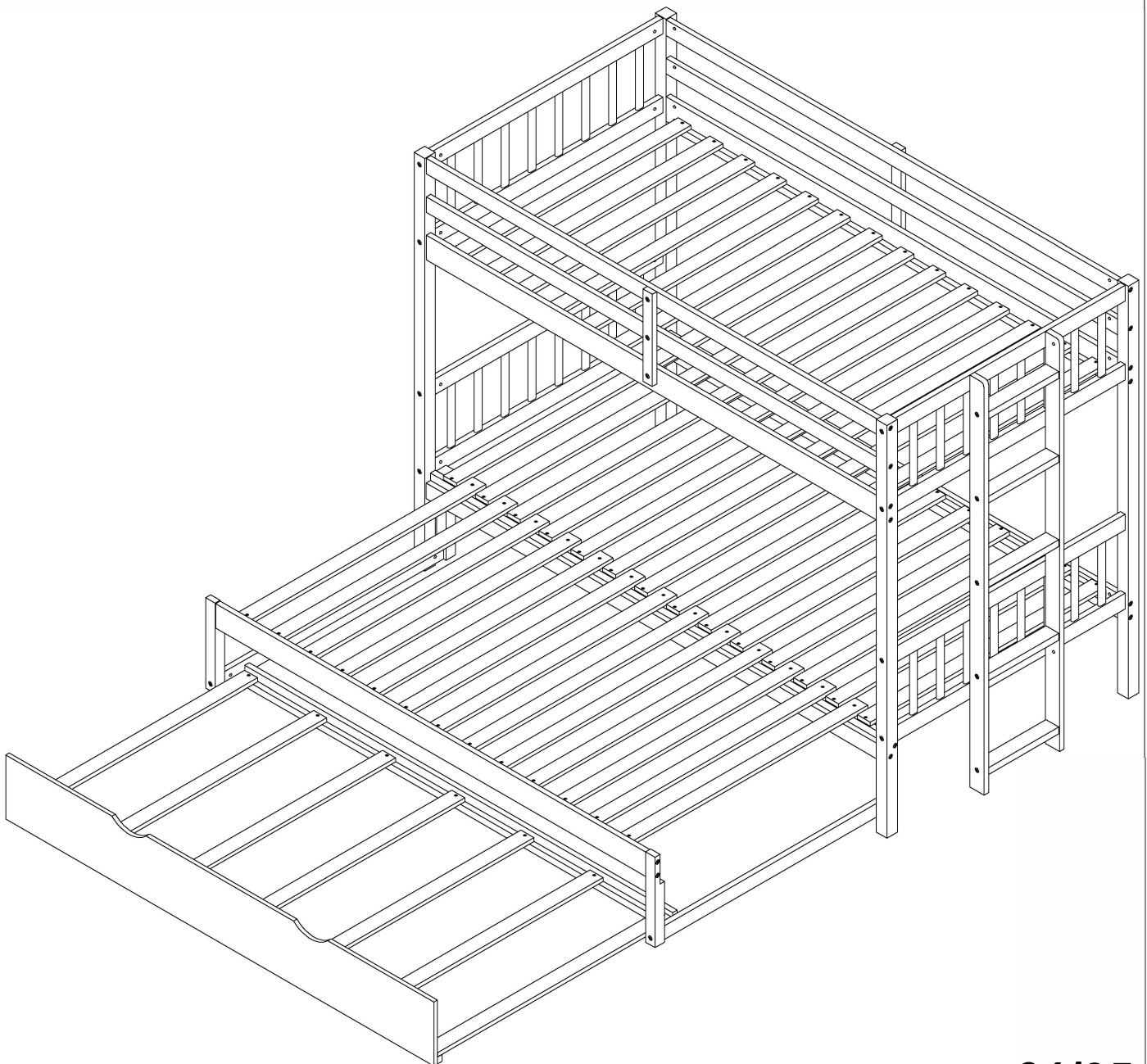
## **ASSEMBLY INSTRUCTION**

**Warning: You must read this before continuing**

**This set is included 2 boxes if don't receive full 2**

**boxes please contact our customer service team**

**Ce set est livré en 2 boîtes. Si vous ne recevez pas un jeu complet  
de 2 boîtes, veuillez contacter notre service clientèle.**



# **! SAFETY WARNINGS !**

1. This bed is designed for use only mattress (es) meeting the following specifications on the upper bunk, and lower bunk

## Upper bunk

<b>Bed Type</b>	<b>Length</b>	<b>Width</b>	<b>Thickness</b>
<i>Twin Standard</i>	<i>74" - 75"</i>	<i>38 1/2"</i>	<i>6" max</i>

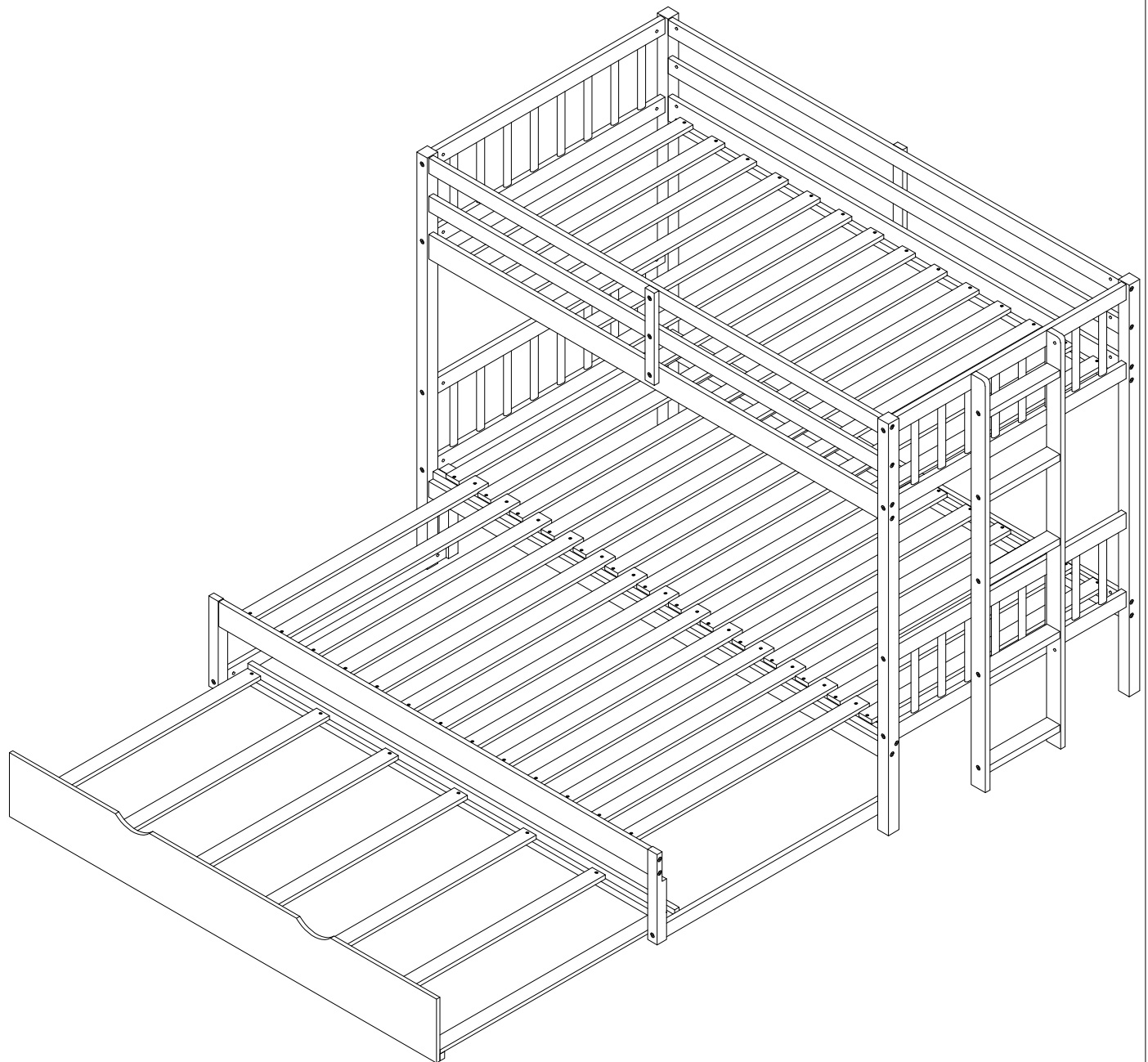
## Lower bunk

<b>Bed Type</b>	<b>Length</b>	<b>Width</b>	<b>Thickness</b>
<i>Twin Standard</i>	<i>74" - 75"</i>	<i>38 1/2"</i>	<i>8" max</i>

2. Follow the information on the warnings appearing on the upper bunk bed end structure and on the carton. Do not remove warning label from bed
3. Always use the recommended size mattresses or mattress supports, or both, to help prevent the likelihood of entrapment or falls.
4. Surface of mattress must be at least 5" (127mm) below the upper edge of guardrails
5. Do not allow children under 6 years of age to use the upper bunk.
6. Periodically check and ensure that the guardrail, ladder, and other components are in their proper position, free from damage, and that all connectors are tight.
7. Do not allow horseplay on or under the bed and prohibit jumping on the bed.
8. Always use the ladder for entering and leaving the upper bunkAlways use the ladder for entering and leaving the upper bunk.
9. Do not use substitute part. Contact the manufacture or dealer for replacement part
10. Use of a night light may provide added safety precaution for a child using the upper bunk..
11. Always use guardrails on both long sides of the upper bunk. If the bunk bed will be placed next to the wall, the guardrail that runs the full length of the bed should be placed against the wall to prevent entrapment between the bed and wall.
12. The use of water or sleep flotation mattresses is prohibited
13. STRANGULATION HAZARD - Never attach or hang items to any part of the bunk bed that are not designed for use with the bed; for example, but not limited to, hook, belts and jump ropes
14. Keep these instruction for future reference
15. Prohibit more than one person on upper bunk
16. We recommend assembling your bunk bed on the shipping carton to protect your floor or carpet
17. Be certain all staples are out of the box before beginning assembly on the shipping carton.

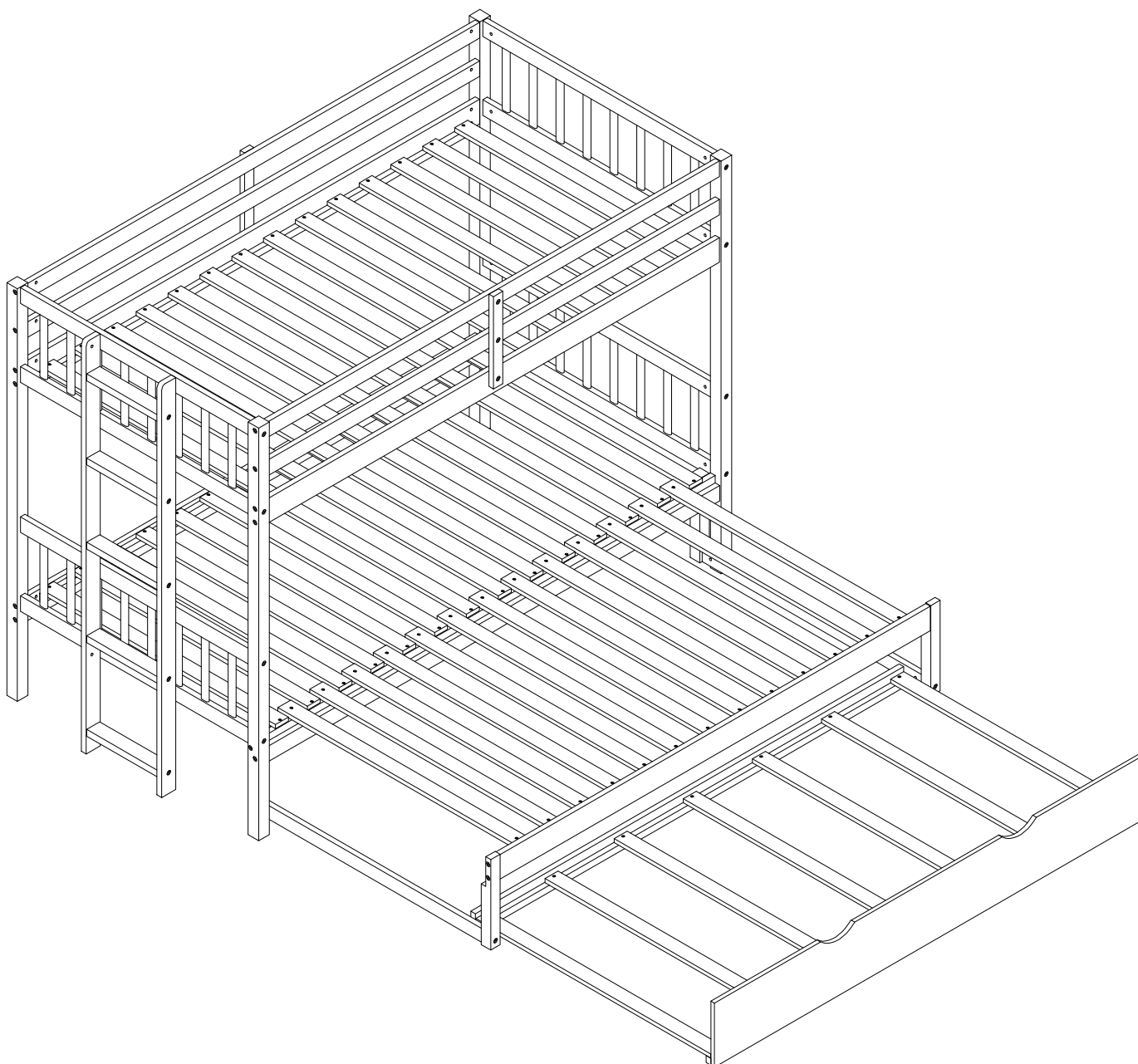
# OPTION 1:LADDER IN RIGHT

## OPTION 1 : ÉCHELLE À DROITE



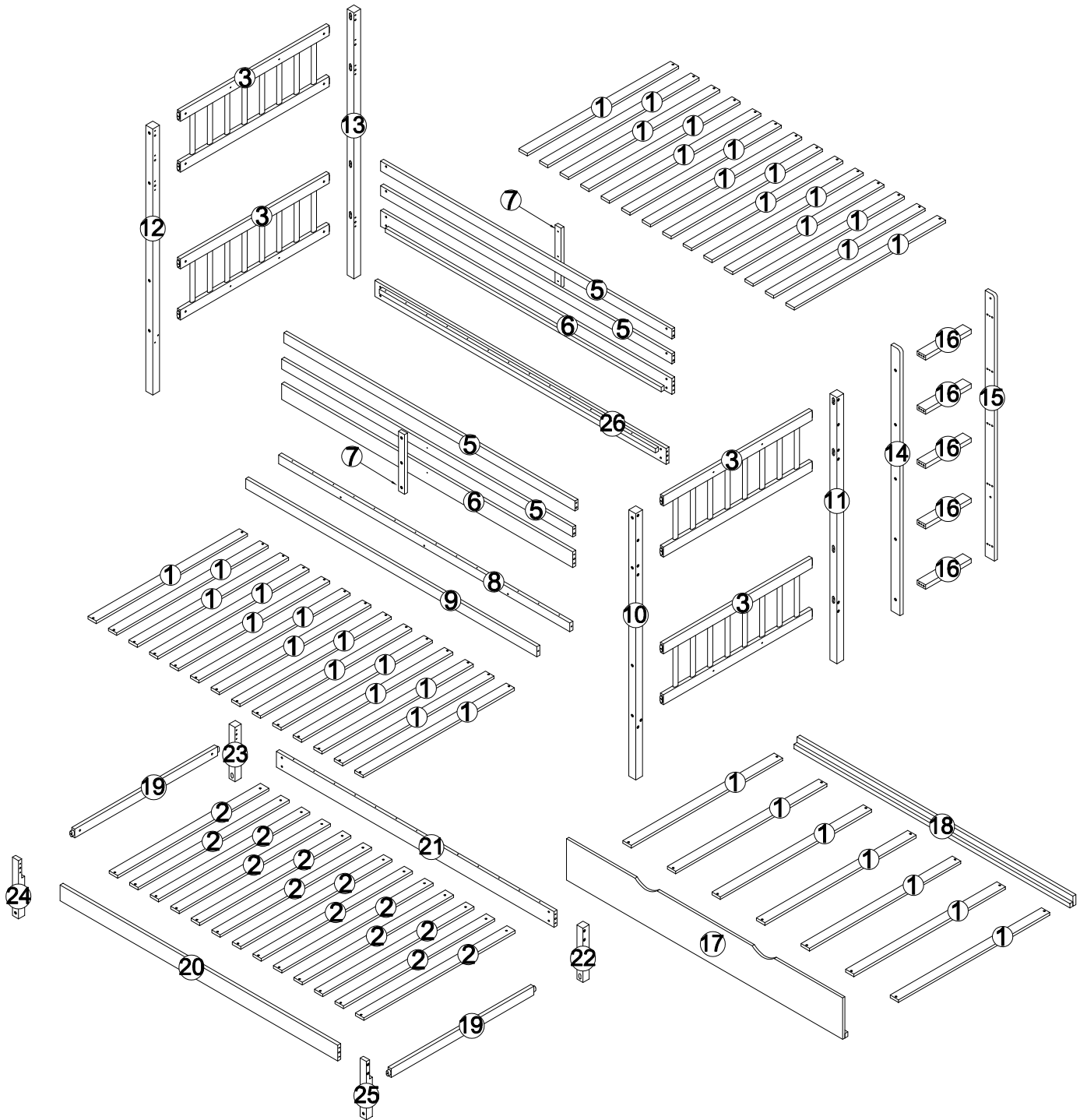
# OPTION 2:LADDER IN LEFT

## OPTION 2 : ÉCHELLE À GAUCHE



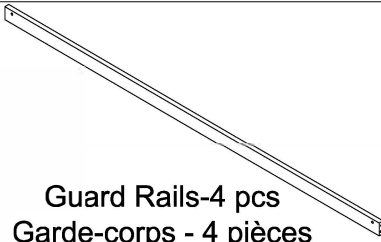
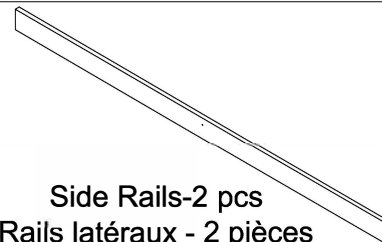

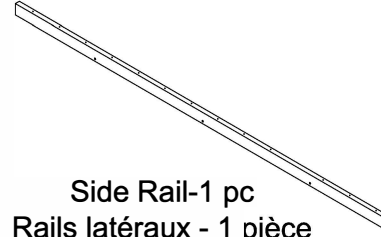
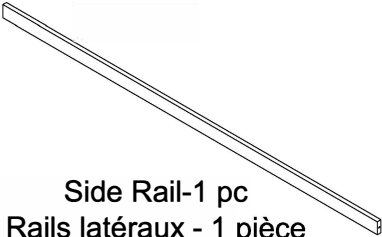






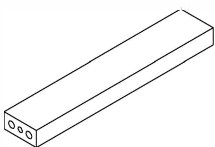
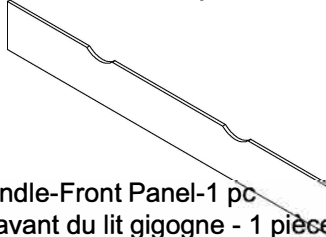
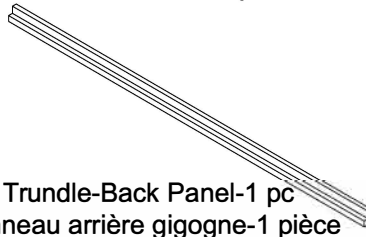
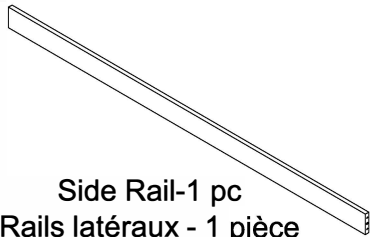
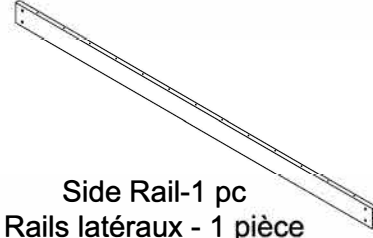




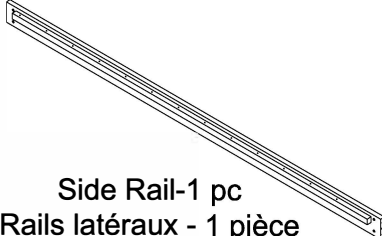
# ASSEMBLY INSTRUCTION

## INSTRUCTIONS DE MONTAGE



# Part List (Box 1)

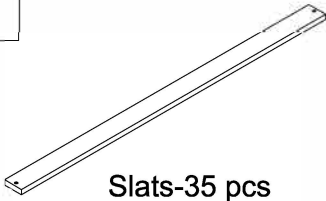
## Liste des pièces (boîte)

<p>5</p>  <p>Guard Rails-4 pcs Garde-corps - 4 pièces</p>	<p>6</p>  <p>Side Rails-2 pcs Rails latéraux - 2 pièces</p>	<p>7</p>  <p>Rails-2 pcs Rails-2 pièces</p>
<p>8</p>  <p>Side Rail-1 pc Rails latéraux - 1 pièce</p>	<p>9</p>  <p>Side Rail-1 pc Rails latéraux - 1 pièce</p>	<p>10</p>  <p>Leg-1 pc Jambe-1 pièce</p>
<p>11</p>  <p>Leg-1 pc Jambe-1 pièce</p>	<p>12</p>  <p>Leg-1 pc Jambe-1 pièce</p>	<p>13</p>  <p>Leg-1 pc Jambe-1 pièce</p>
<p>14</p>  <p>Side Ladder-1 pc Échelle latérale - 1 pièce</p>	<p>15</p>  <p>Side Ladder-1 pc Échelle latérale - 1 pièce</p>	<p>16</p>  <p>Step Ladders-5 pcs Escabeaux-5 pièces</p>
<p>17</p>  <p>Trundle-Front Panel-1 pc Panneau avant du lit gigogne - 1 pièce</p>	<p>18</p>  <p>Trundle-Back Panel-1 pc Panneau arrière gigogne-1 pièce</p>	<p>20</p>  <p>Side Rail-1 pc Rails latéraux - 1 pièce</p>
<p>21</p>  <p>Side Rail-1 pc Rails latéraux - 1 pièce</p>	<p>22</p>  <p>Leg-1 pc Jambe-1 pièce</p>	<p>23</p>  <p>Leg-1 pc Jambe-1 pièce</p>
<p>24</p>  <p>Leg-1 pc Jambe-1 pièce</p>	<p>25</p>  <p>Leg-1 pc Jambe-1 pièce</p>	<p>26</p>  <p>Side Rail-1 pc Rails latéraux - 1 pièce</p>

## Part List (Box 2)

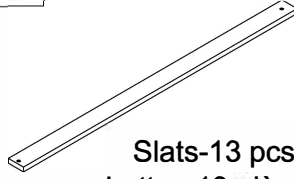
## Liste des pièces (boîte 2)

1



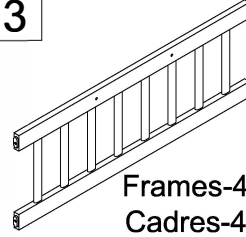
Slats-35 pcs  
Lattes-35 pièces

2



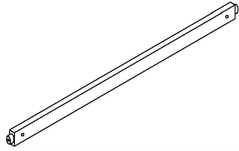
Slats-13 pcs  
Lattes-13 pièces

3



Frames-4 pcs  
Cadres-4 pcs

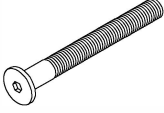

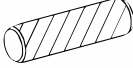
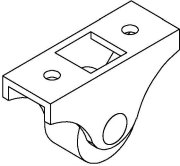
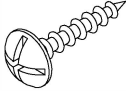
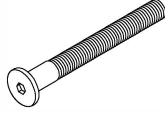
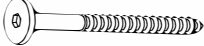

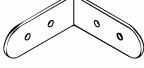


19

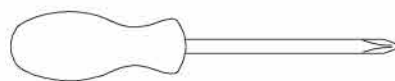


Wood Bars-2 pcs  
Barres de bois - 2 pièces

# Hardware List(Box 1)


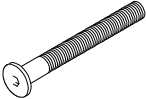
## Liste du matériel (boîte 1)

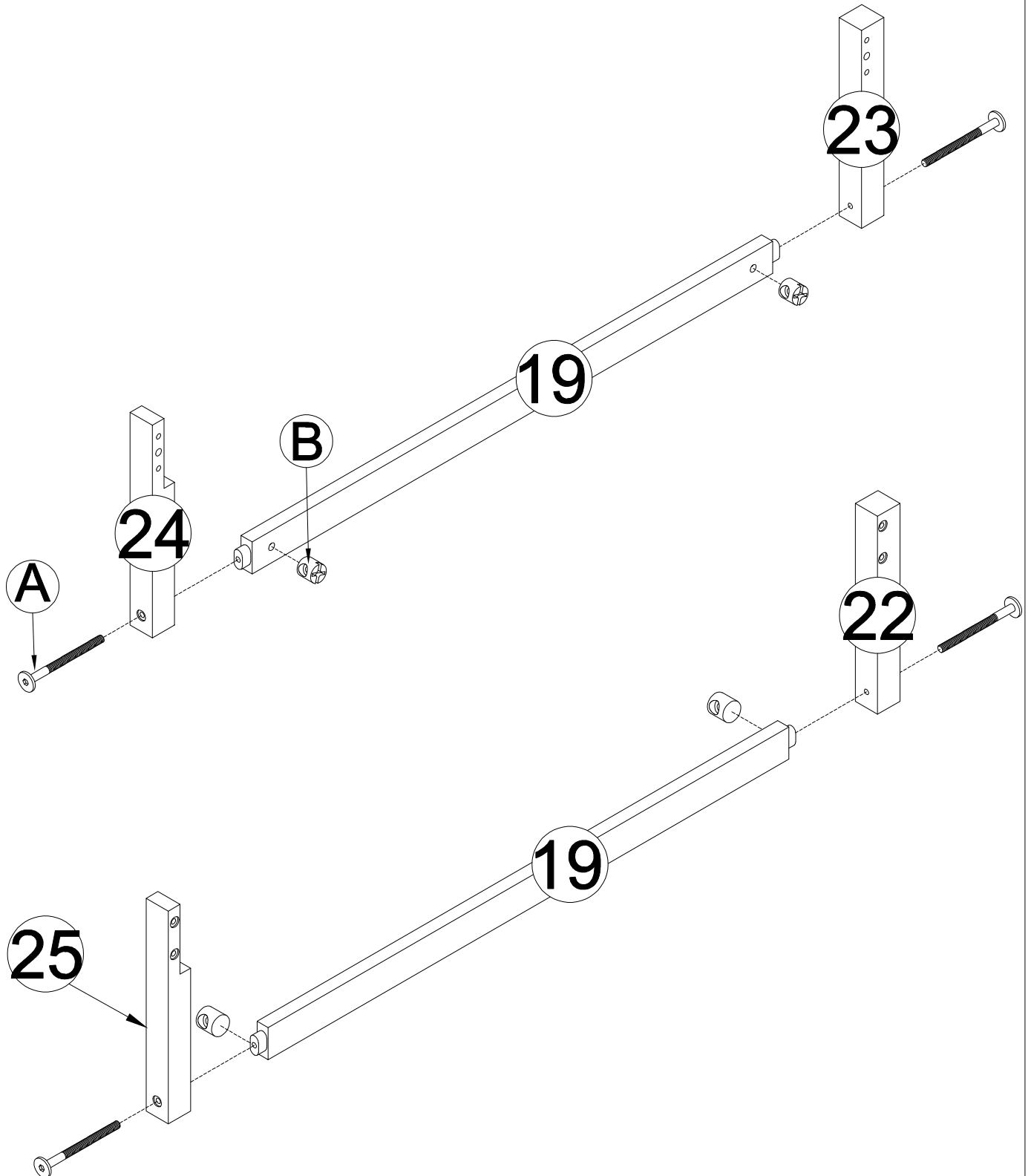
<p><b>A</b></p>  <p>Bolt Ø6 x90 mm -52 pcs Boulon Ø6 x90 mm -52 pièces</p>	<p><b>B</b></p>  <p>Ø6 x 13 mm-66 pcs Ø6 x 13 mm-66 pièces</p>	<p><b>C</b></p>  <p>Wood dowel Ø10 x 40 mm-38 pcs Cheville en bois Ø10 x 40 mm-38 pièces</p>
<p><b>D</b></p>  <p>Wheels (H=40mm)-8 pcs Roues (H=40mm)-8 pièces</p>	<p><b>E</b></p>  <p>Screws Ø4 x 15 mm-28 pcs Vis Ø4 x 15 mm-28 pièces</p>	<p><b>F</b></p>  <p>Bolt Ø6 x60 mm -14 pcs Boulon Ø6 x60 mm -14 pièces</p>
<p><b>G</b></p>  <p>Screws Ø6x30 mm -9 pcs Vis Ø6x30 mm -9 pièces</p>	<p><b>H</b></p>  <p>Screws Ø4 x 30 mm-100 pcs Vis Ø4 x 30 mm-100 pièces</p>	<p><b>K</b></p>  <p>Steel Brackets(60x25x2)-3 pcs Supports en acier(60x25x2) - 3 pièces</p>
<p><b>L</b></p>  <p>Stop Trundle-2 pcs Arrêt Trundle - 2 pièces</p>	<p><b>M</b></p>  <p>Allen Key-1 pc Clé Allen-1 pièce</p>	



**Assembly Tools Required (Not Included)**  
**Outils d'assemblage requis (non inclus)**

**STEP 1:**  
**ÉTAPE 1:**

Ø6x13 mm	Ø6x90mm
	
Bx4	Ax4

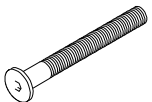


**STEP 2:**  
**ÉTAPE 2:**

Ø6x13 mm    Ø6x90mm

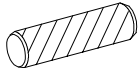


Bx8

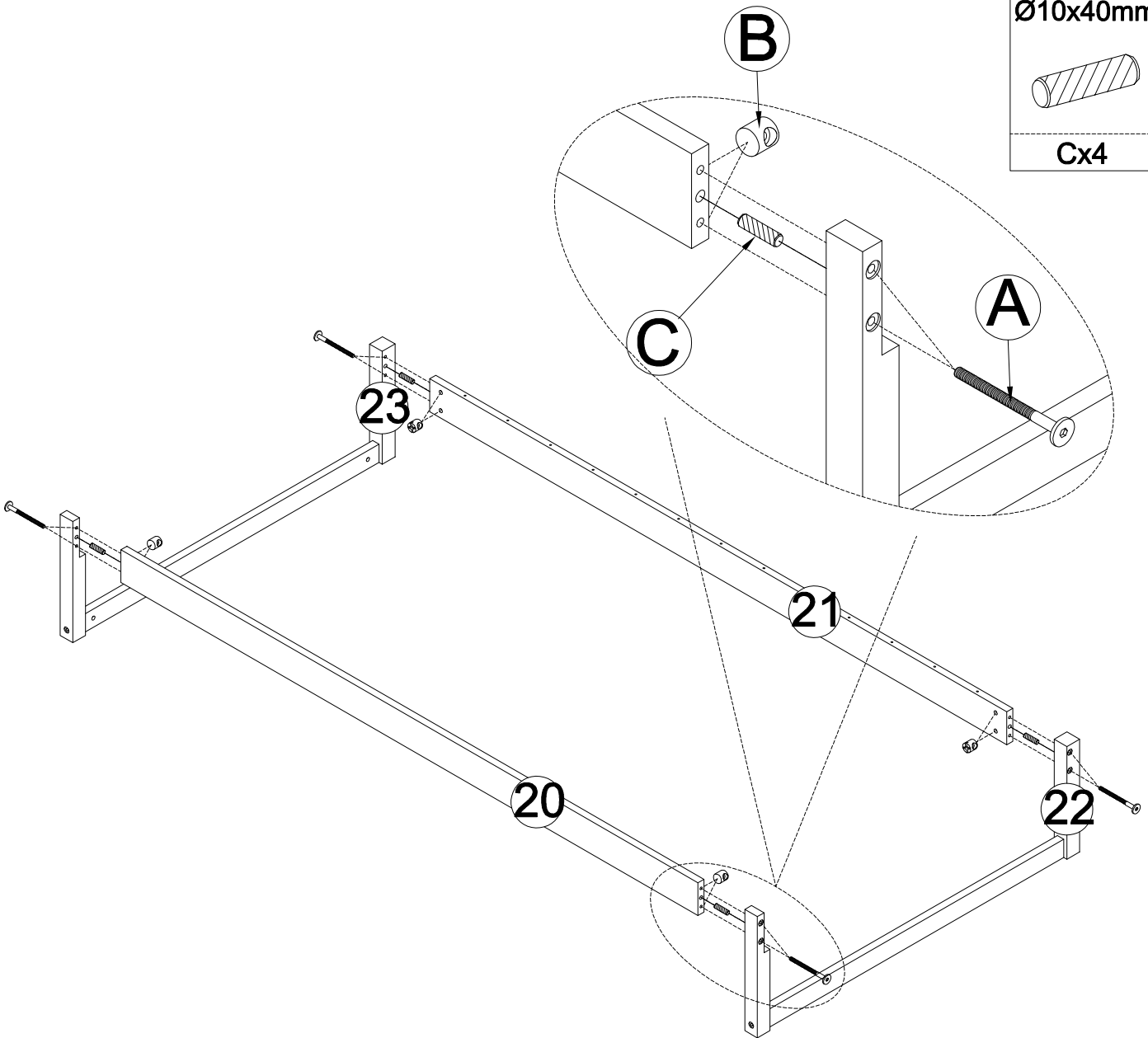


Ax8

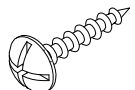
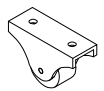
Ø10x40mm

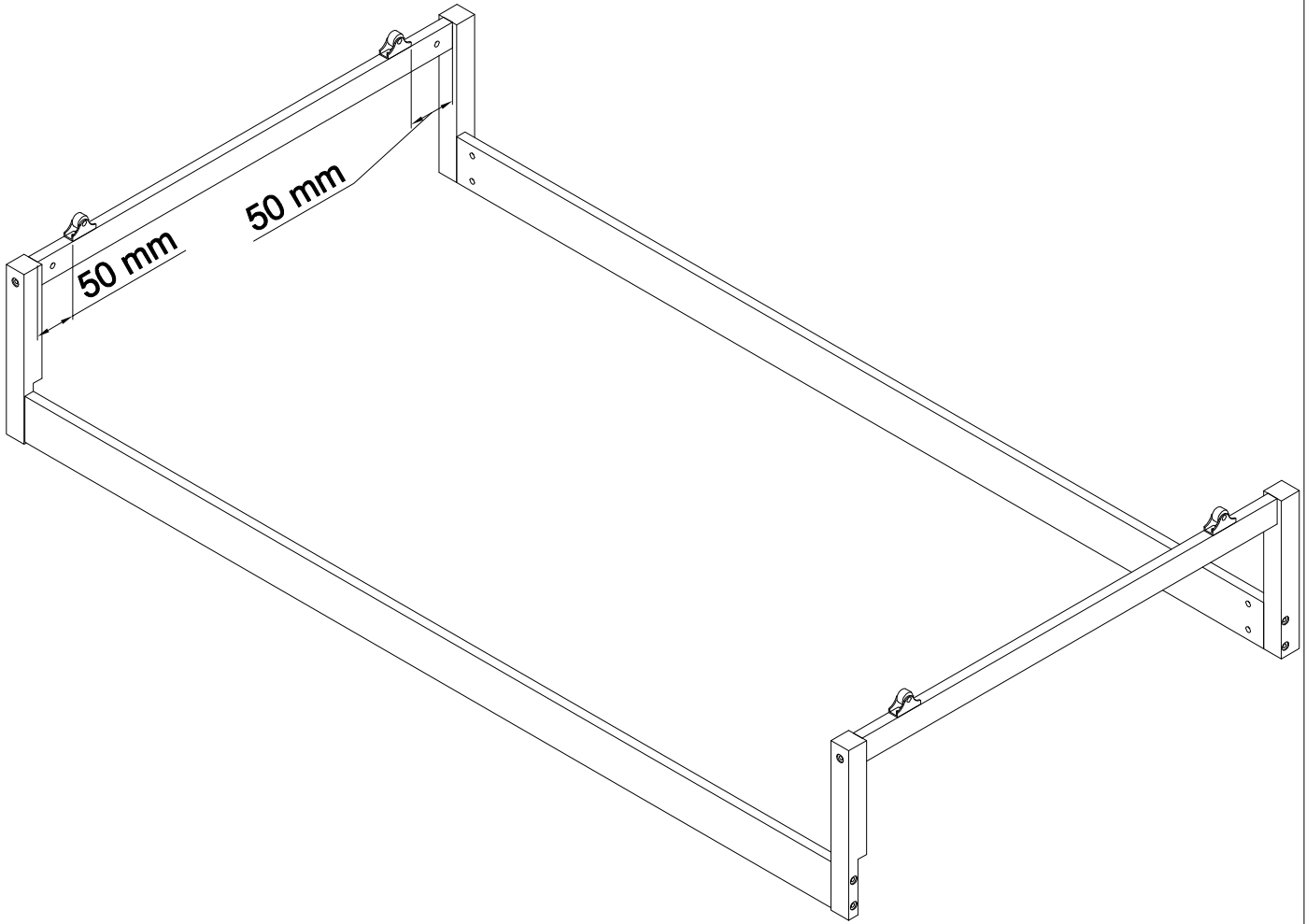
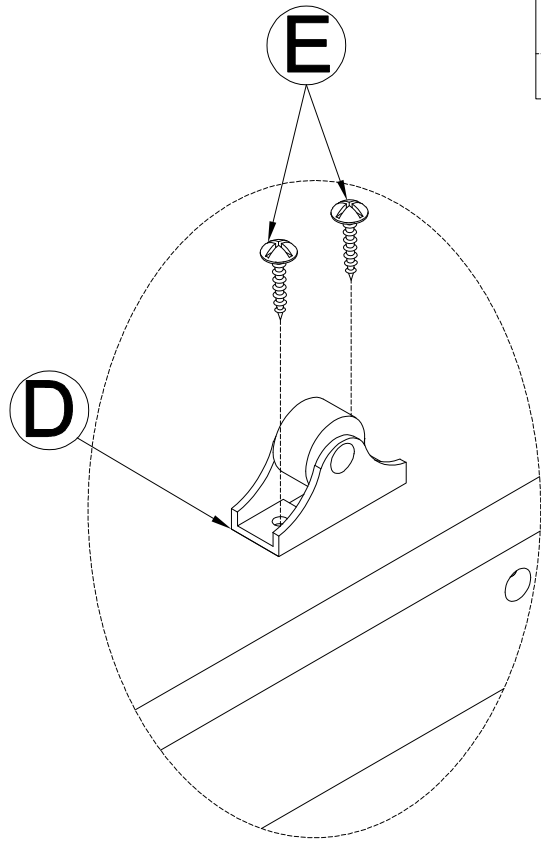


Cx4


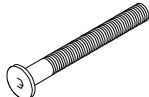


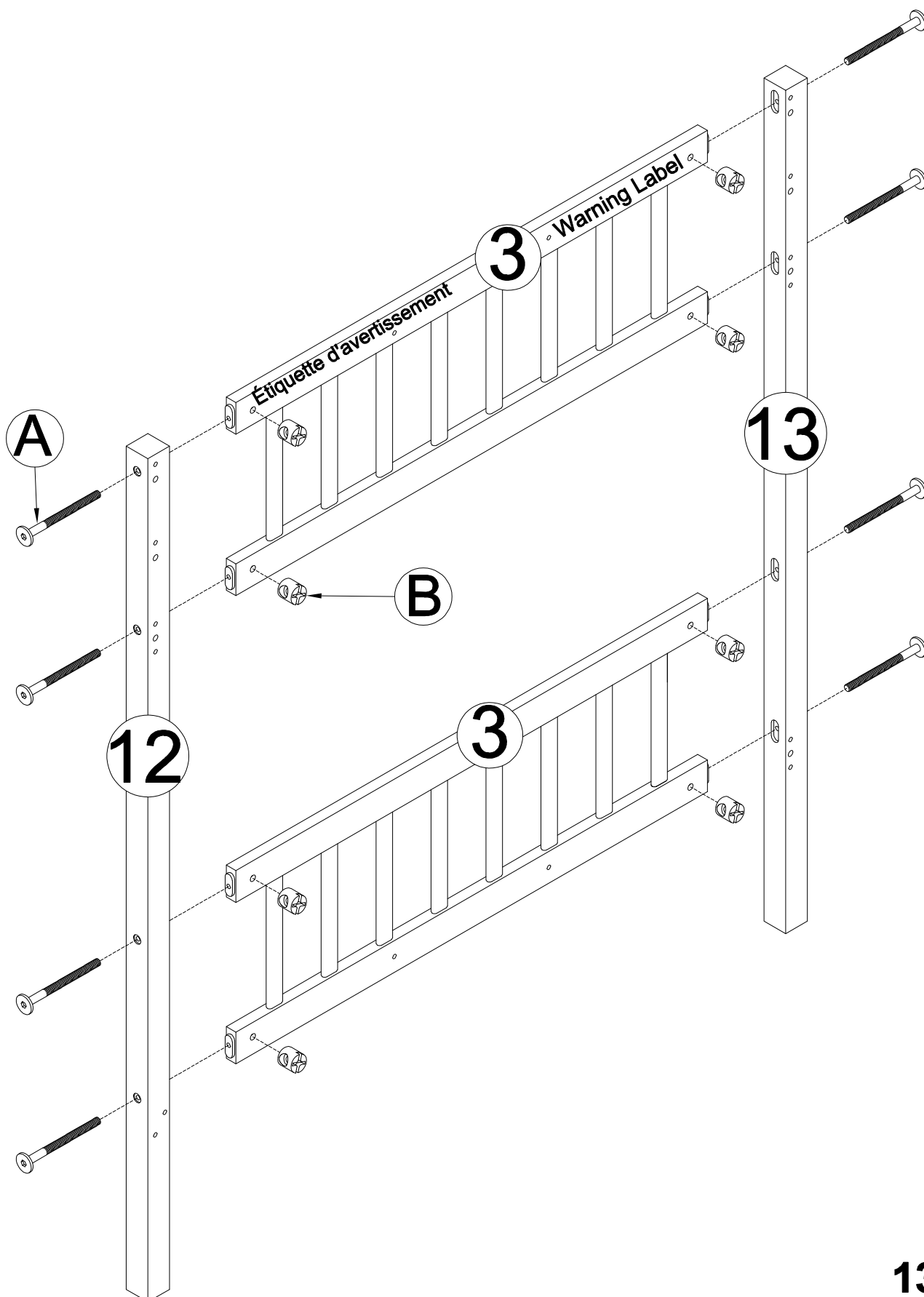
**STEP 3:**  
**ÉTAPE 3:**

Ø4x15mm	H=40mm
	
Ex8	Dx4


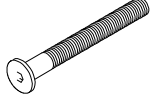


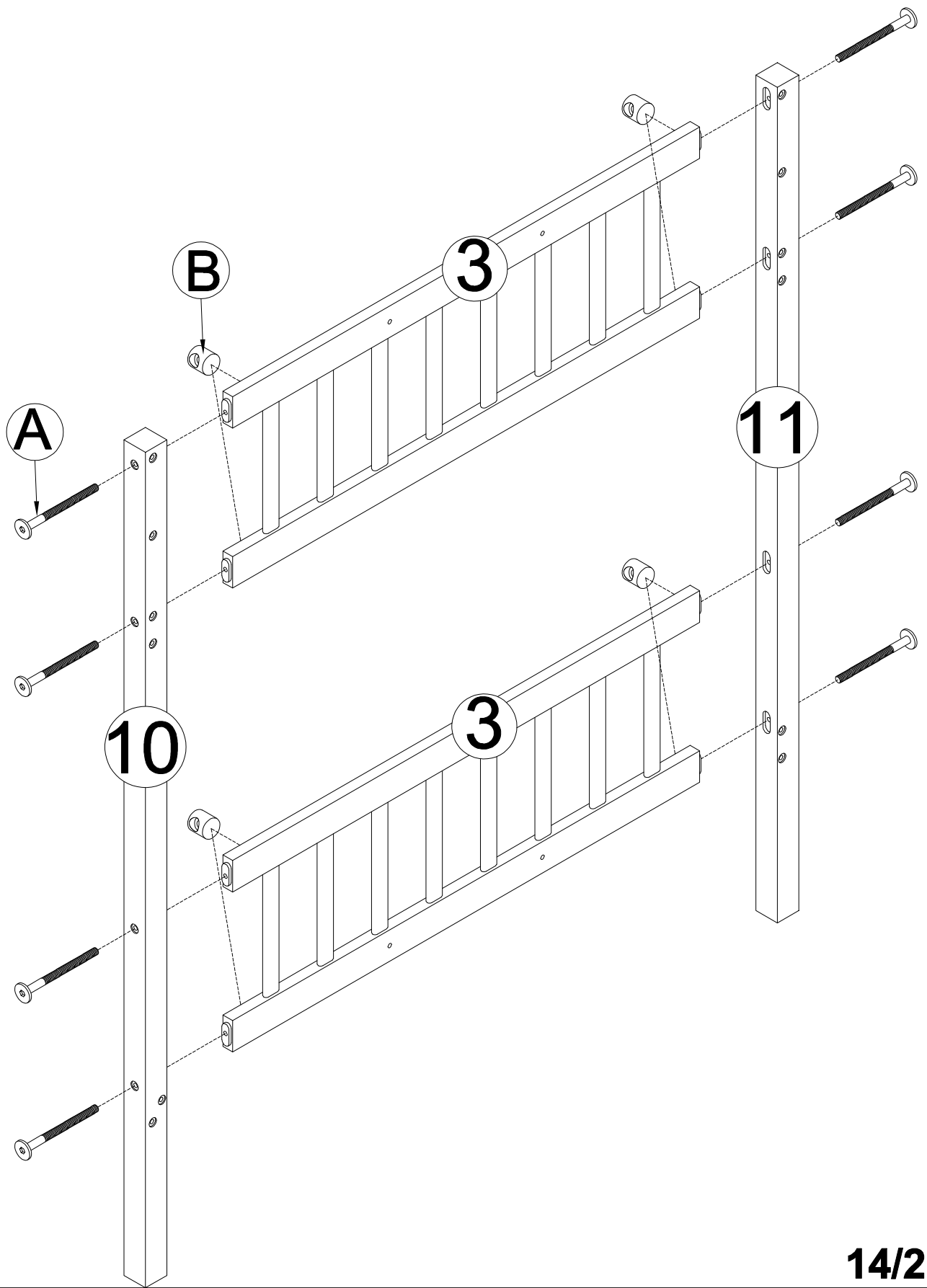
**STEP 4:**  
**ÉTAPE 4:**

Ø6x13 mm	Ø6x90mm
	
Bx8	Ax8

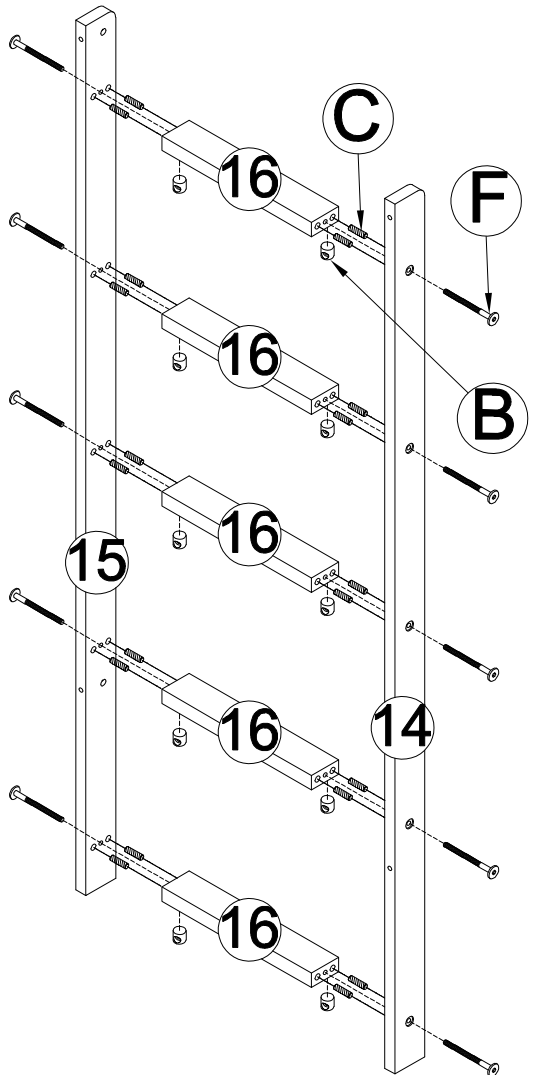



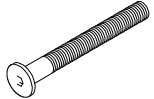
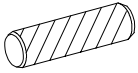
**STEP 5:**  
**ÉTAPE 5:**

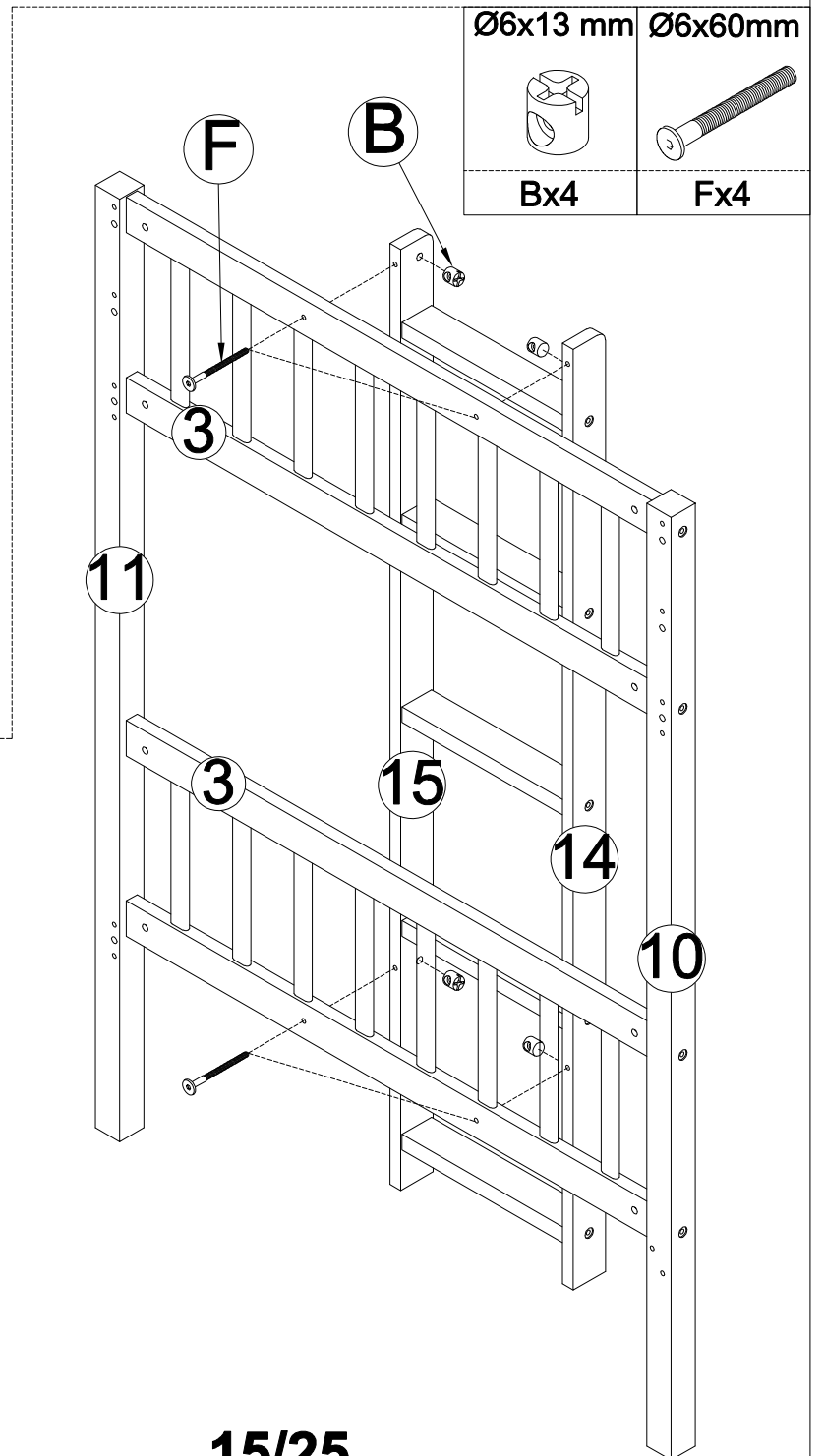
Ø6x13 mm	Ø6x90mm
	
<b>Bx8</b>	<b>Ax8</b>


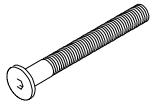


**STEP 6-1:**  
**ÉTAPE 6-1:**




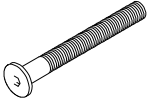
Ø6x13 mm	Ø6x60mm
	
Bx10	Fx10
	Ø10x40mm
	
	Cx20

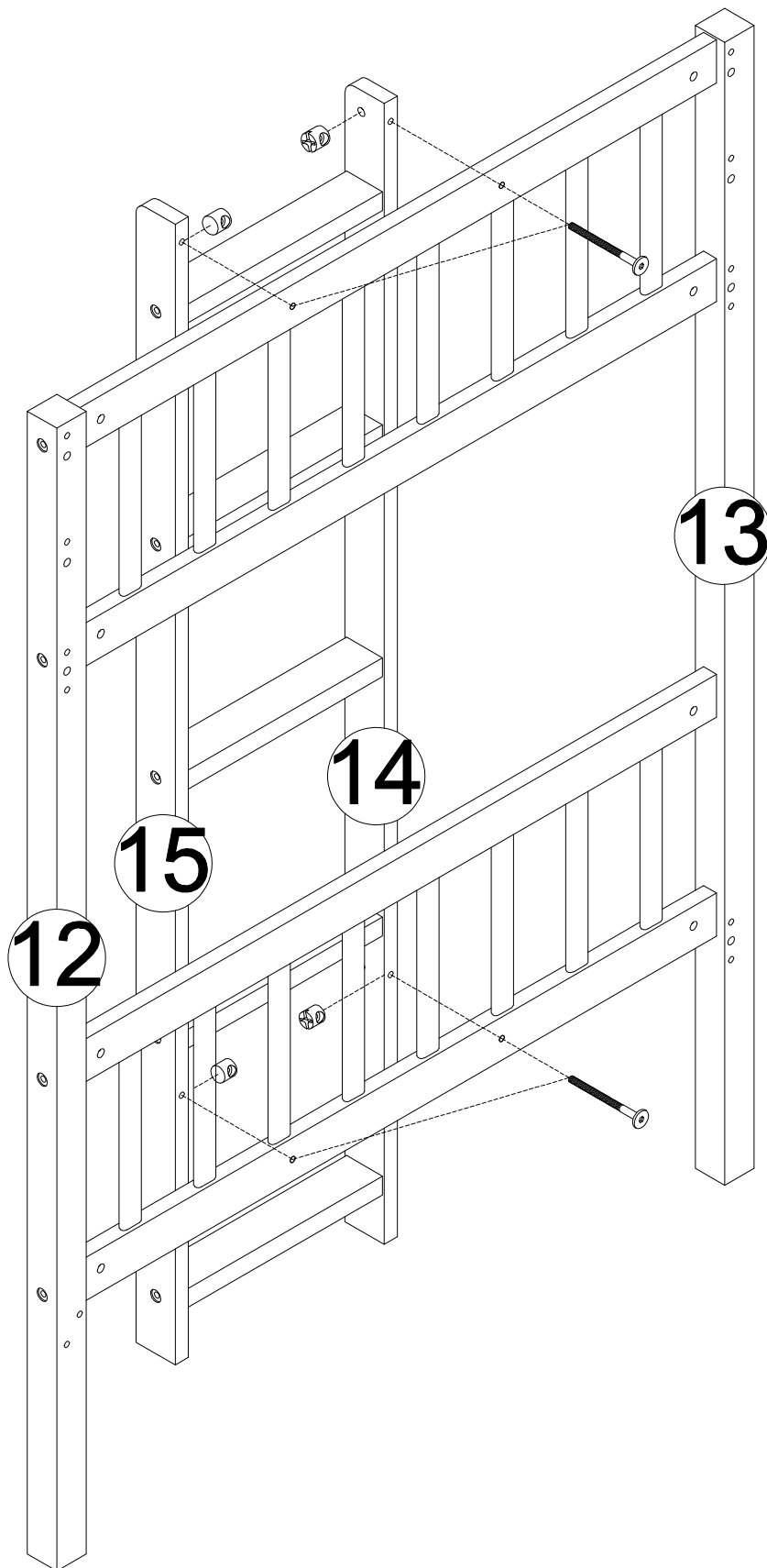


Ø6x13 mm	Ø6x60mm
	
Bx4	Fx4


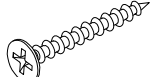
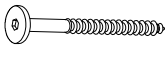
**STEP 6-2(Option 1):**  
**ÉTAPE 6-2(Option 1):**

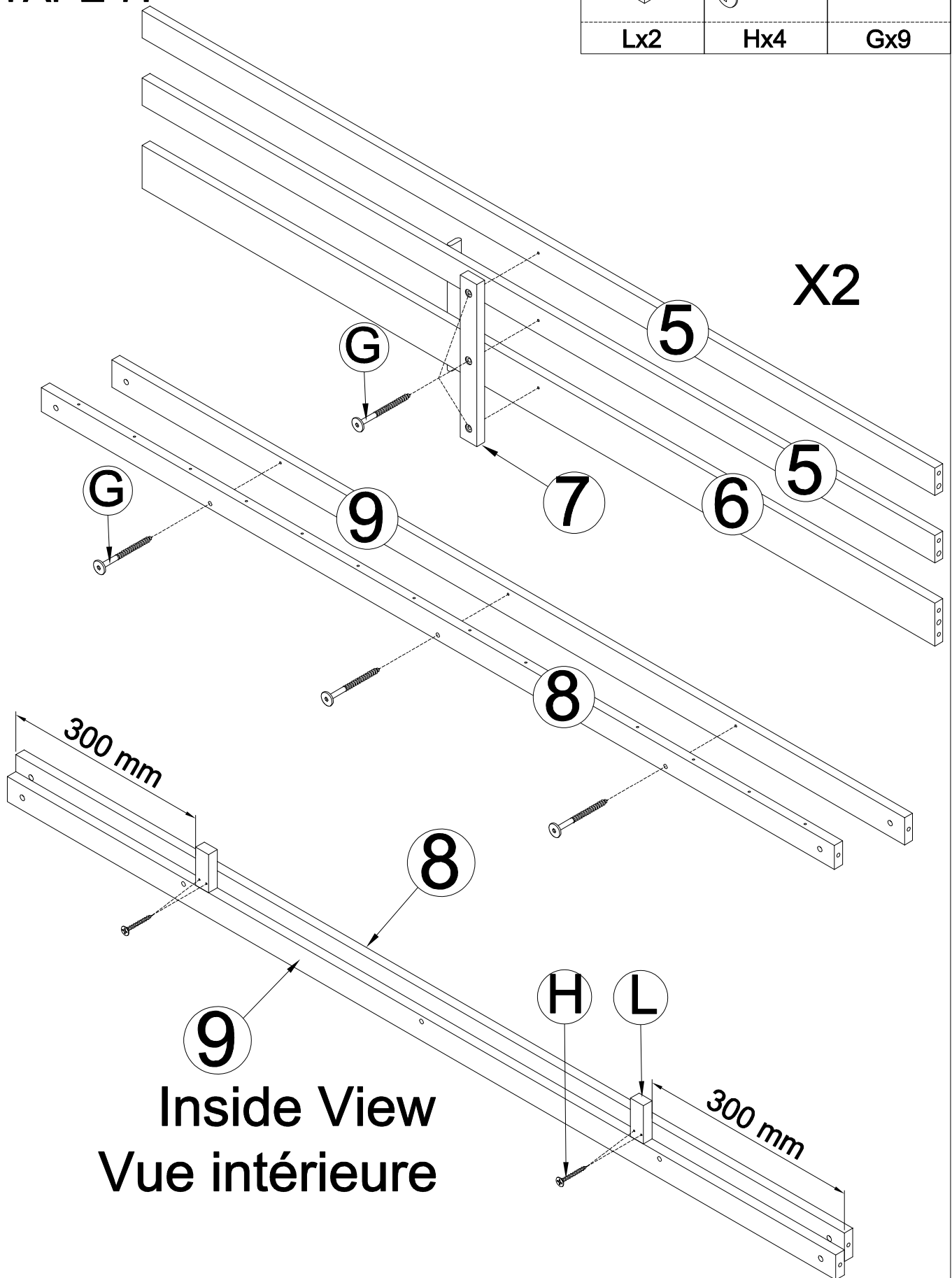
**STEP 6-2(Option 2):**  
**ÉTAPE 6-2(Option 2):**

$\text{Ø}6 \times 13 \text{ mm}$	$\text{Ø}6 \times 60 \text{ mm}$
	
<b>Bx4</b>	<b>Fx4</b>



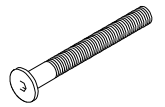
**STEP 7:**  
**ÉTAPE 7:**

	$\text{Ø}4 \times 30 \text{ mm}$ 	$\text{Ø}6 \times 30 \text{ mm}$ 
Lx2	Hx4	Gx9



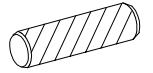
**STEP 8:**  
**ÉTAPE 8:**

Ø6x90mm



Ax24

Ø10x40mm

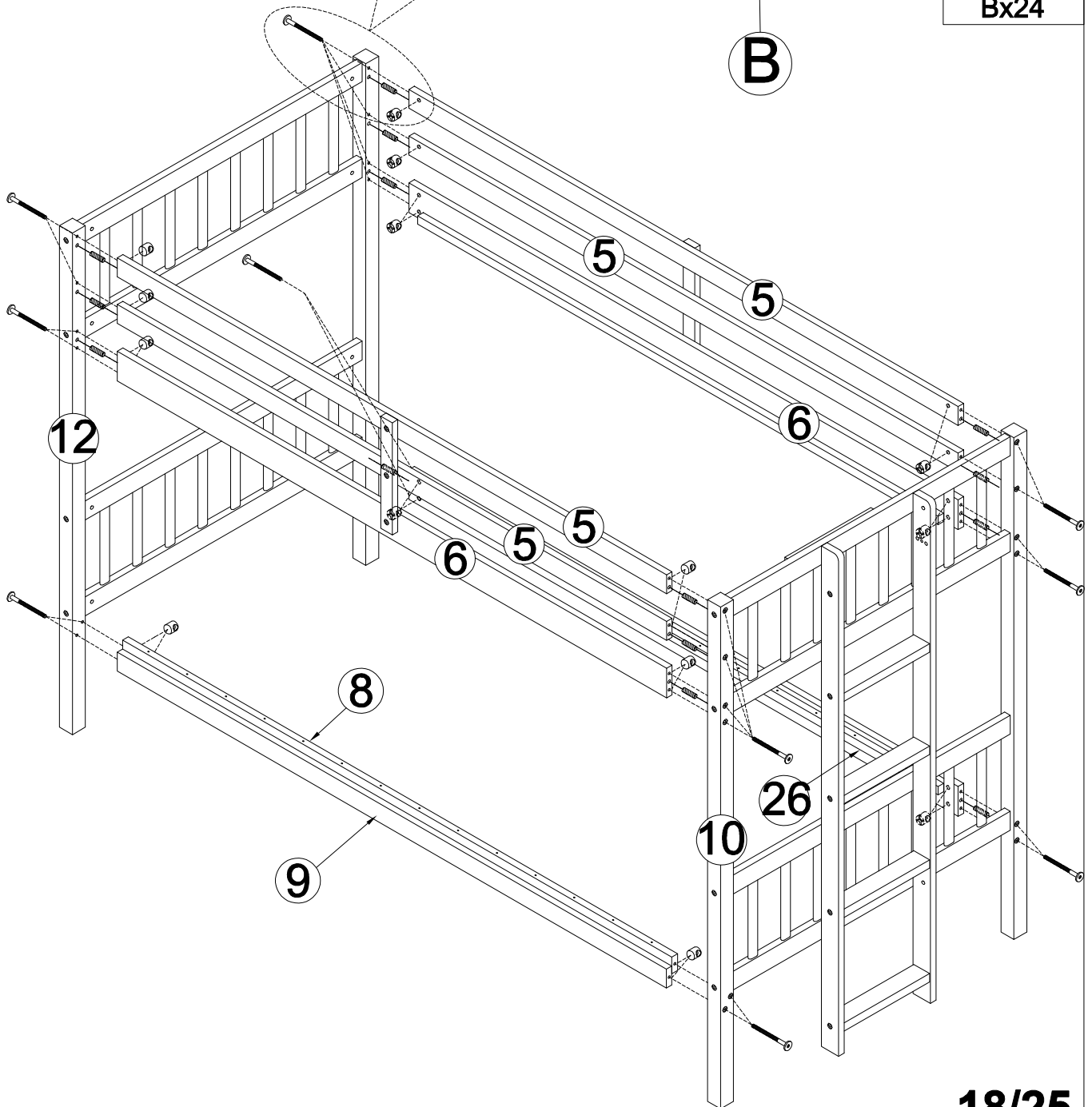
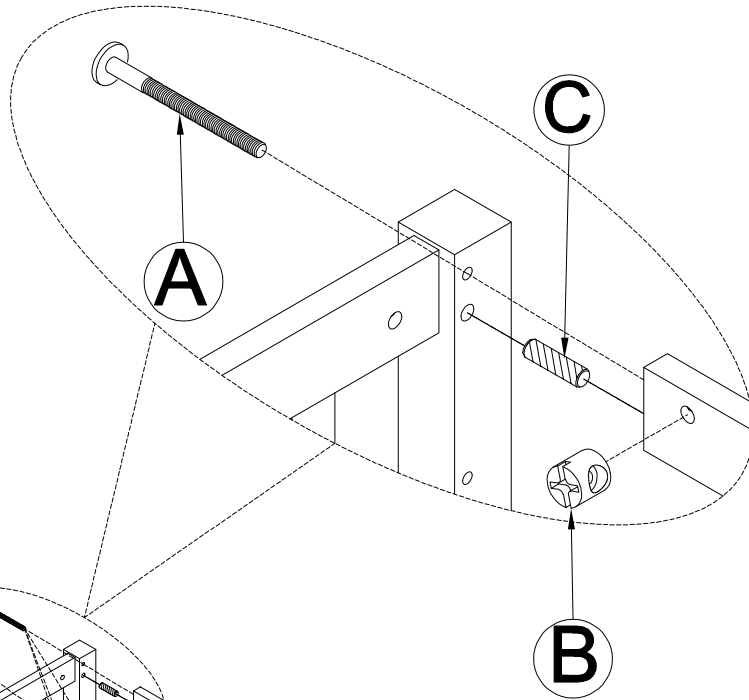


Cx14

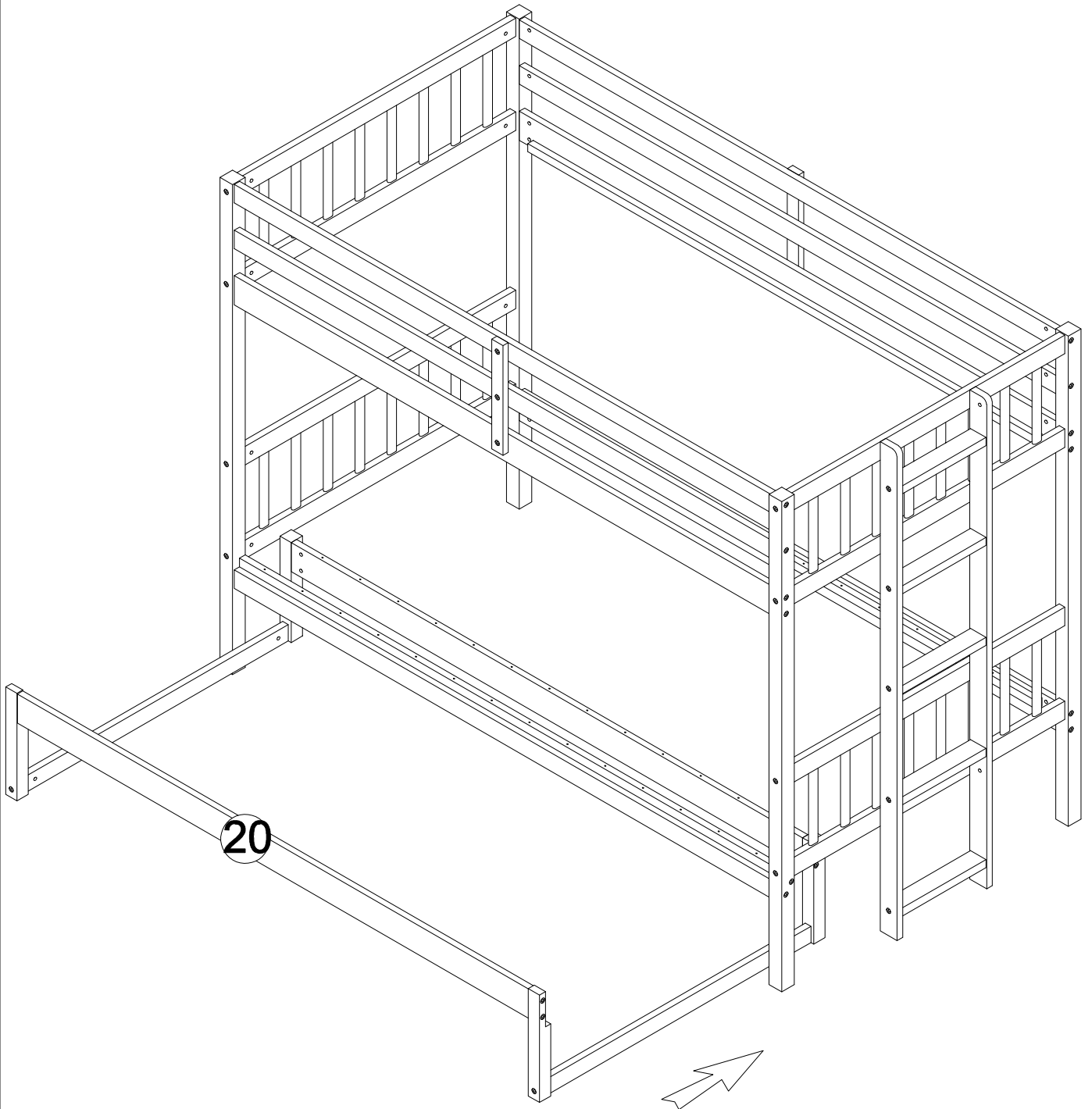
Ø6x13 mm



Bx24

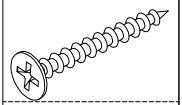


**STEP 9:**  
**ÉTAPE 9:**

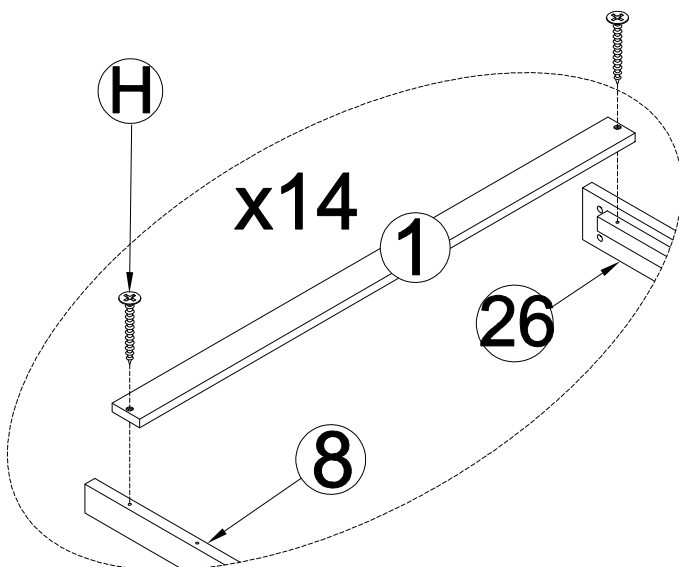
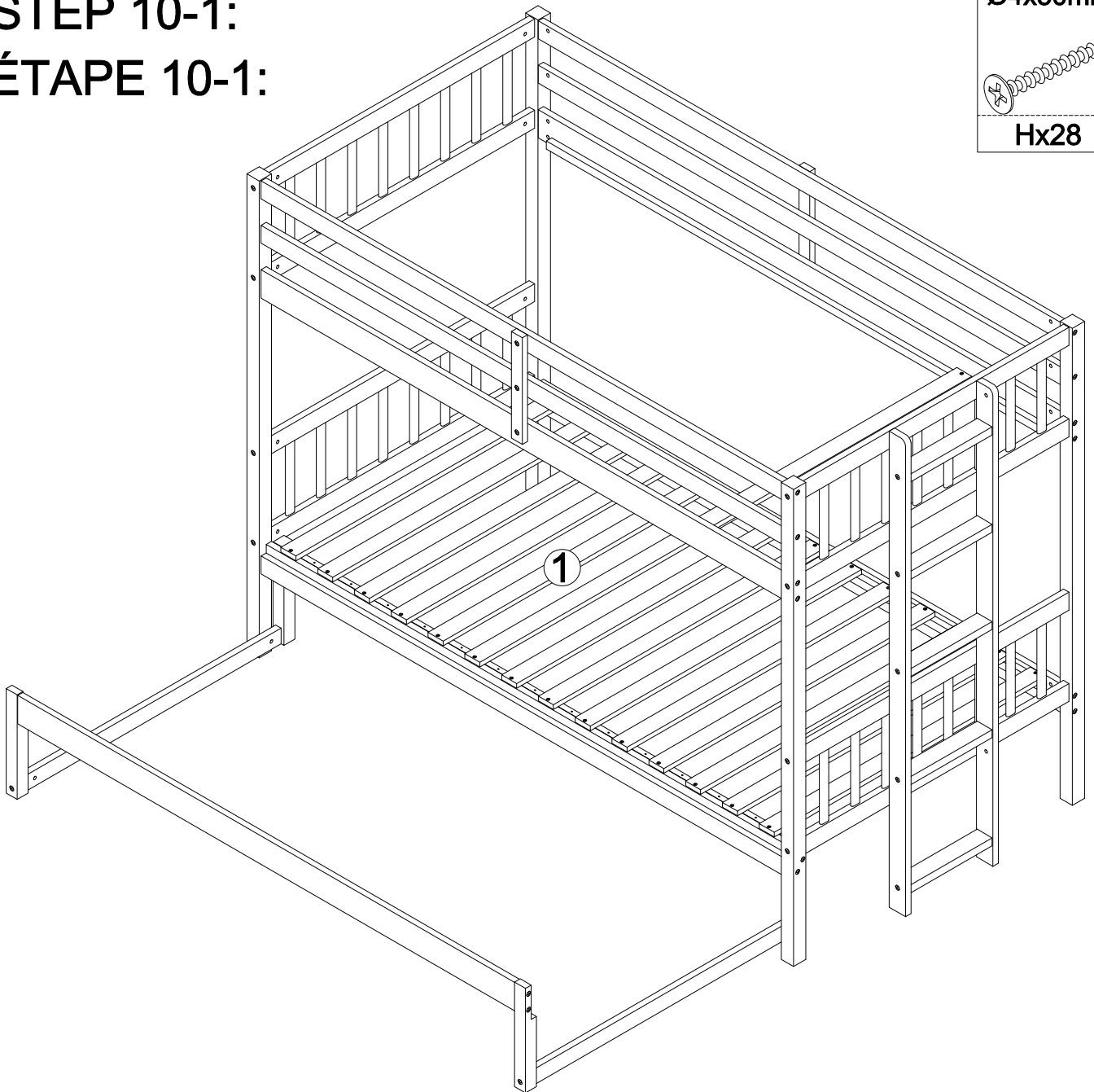


**STEP 10-1:**  
**ÉTAPE 10-1:**

Ø4x30mm

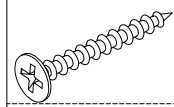


Hx28

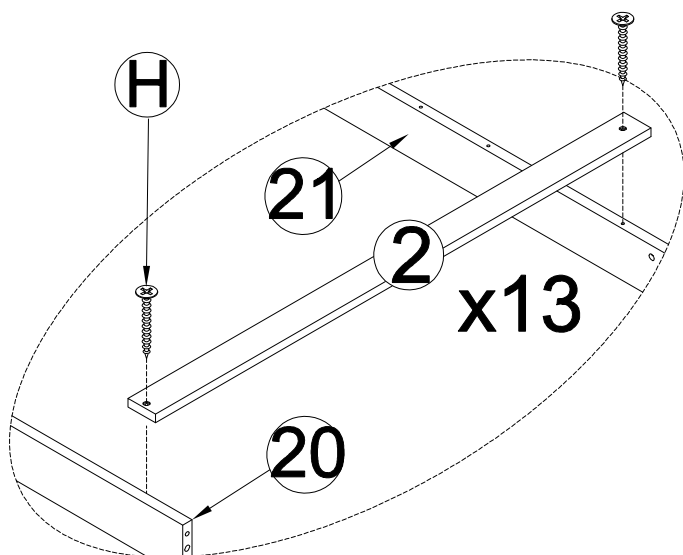
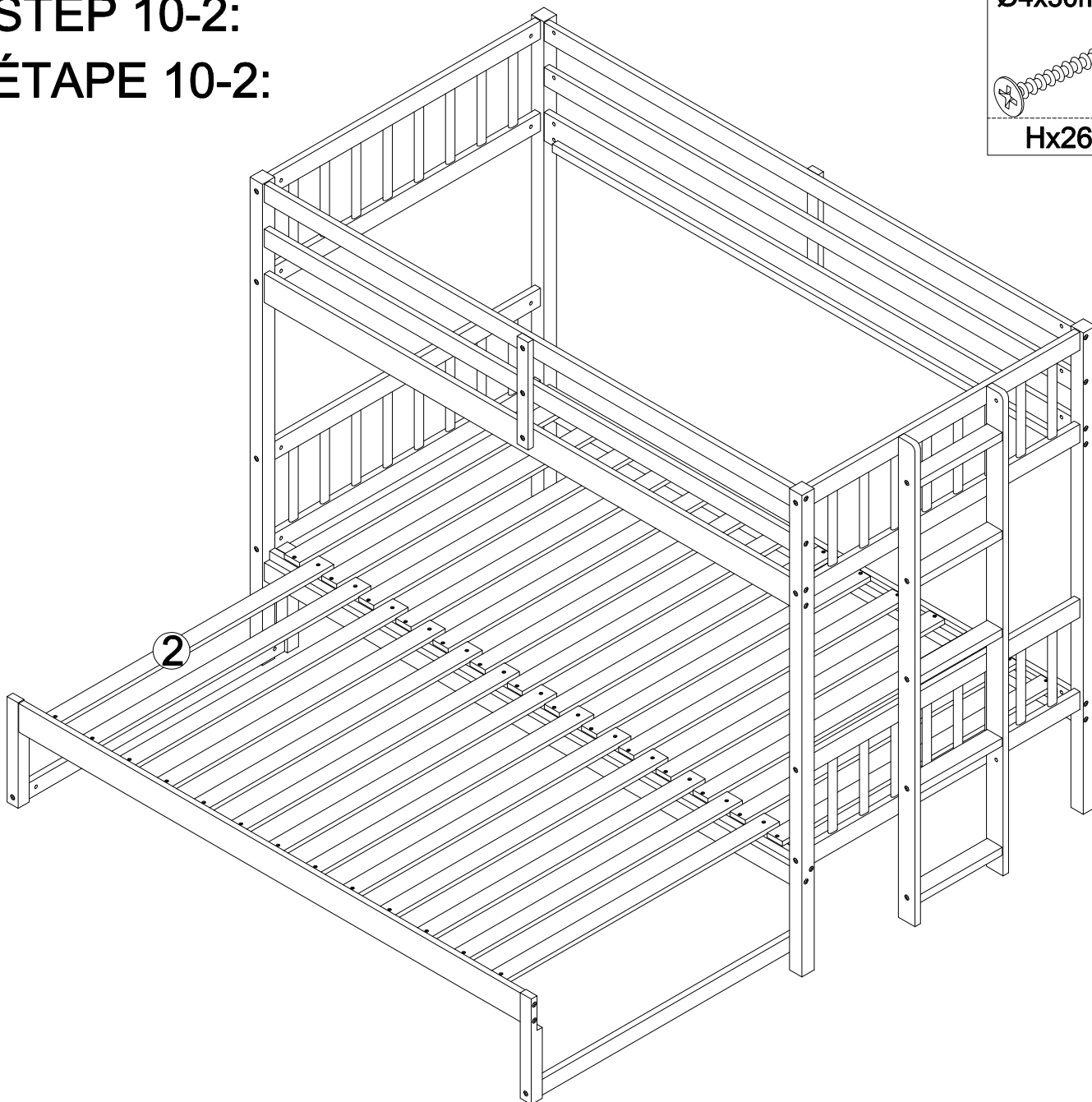


**STEP 10-2:**  
**ÉTAPE 10-2:**

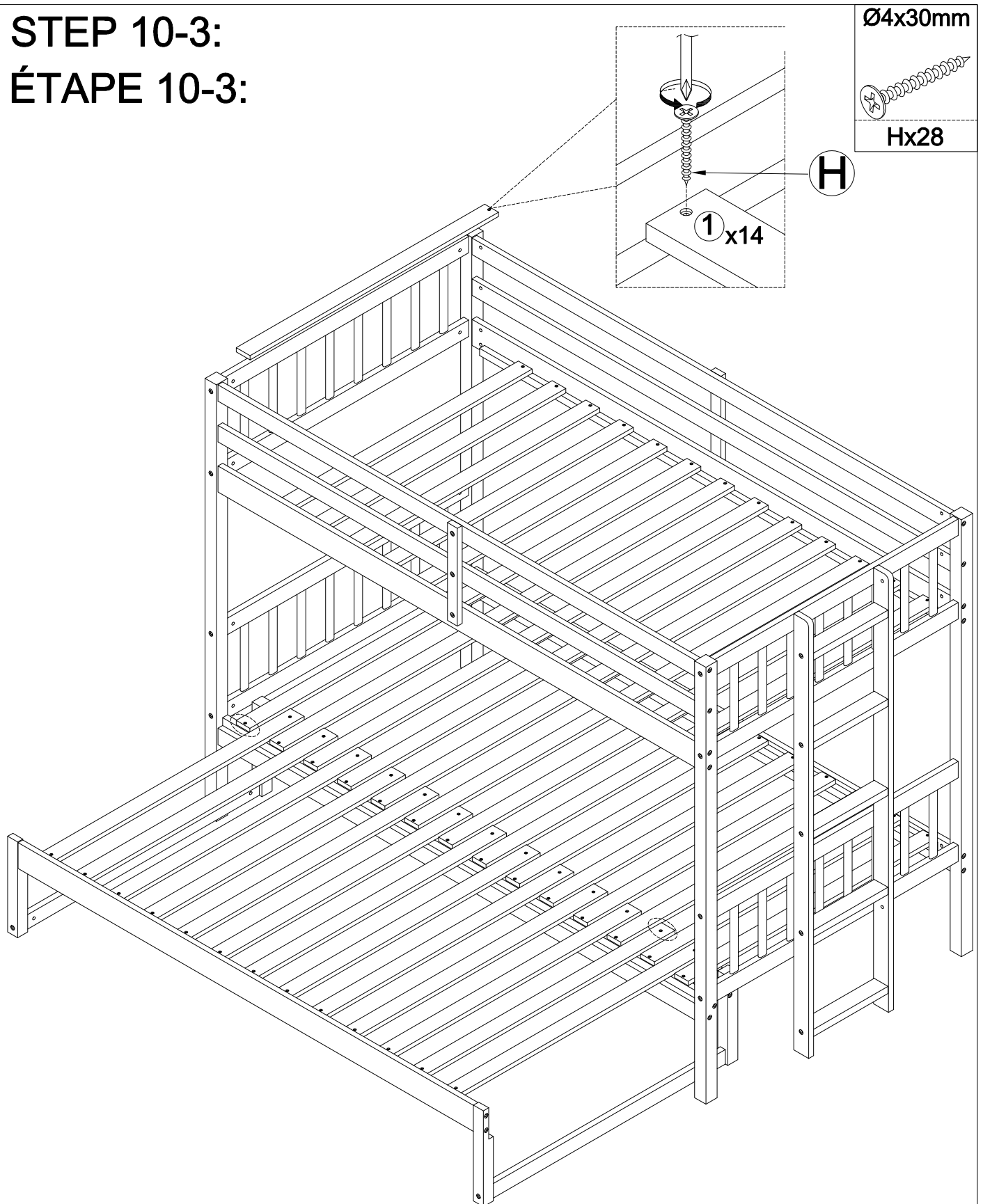
Ø4x30mm



Hx26

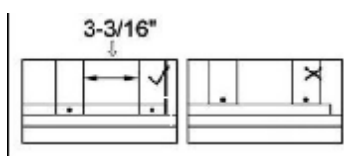


**STEP 10-3:**  
**ÉTAPE 10-3:**



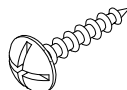
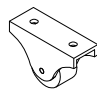
**For Upper Bunk:**

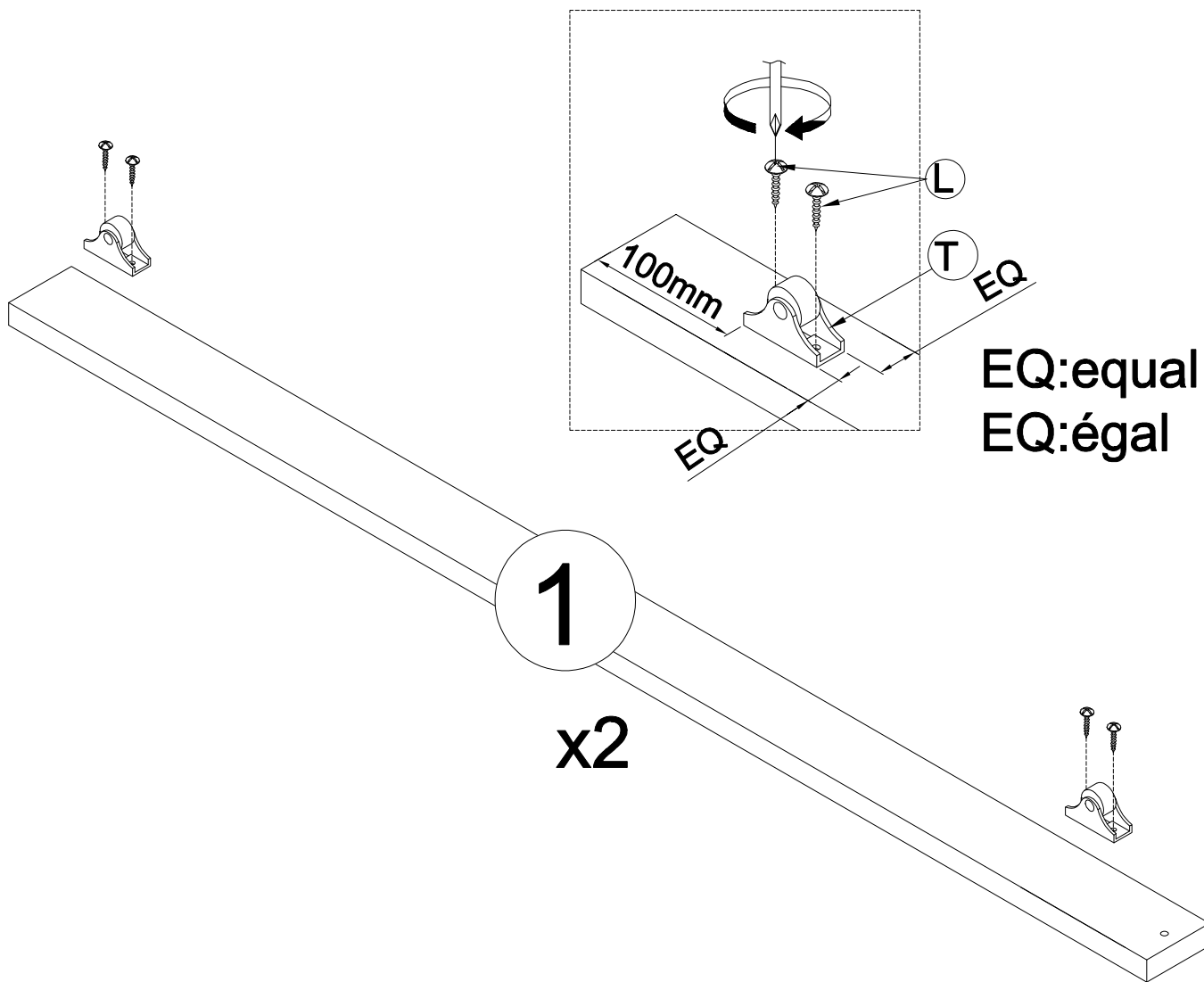
**Pour la couchette supérieure :**  
**Ne verrouillez pas les vis des lattes du lit sur le bord le plus extérieur des lattes du lit, vous devez laisser un certain espace sur les bords, sinon la planche se casserait.**



**Do not lock the screws of the bed slats to the outermost edge the bed slats, you need to leave a certain space at the edges otherwise it you cause the board to break**

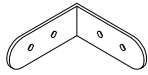
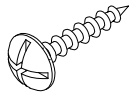
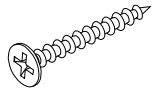
**STEP 11-1:**  
**étape 11-1:**

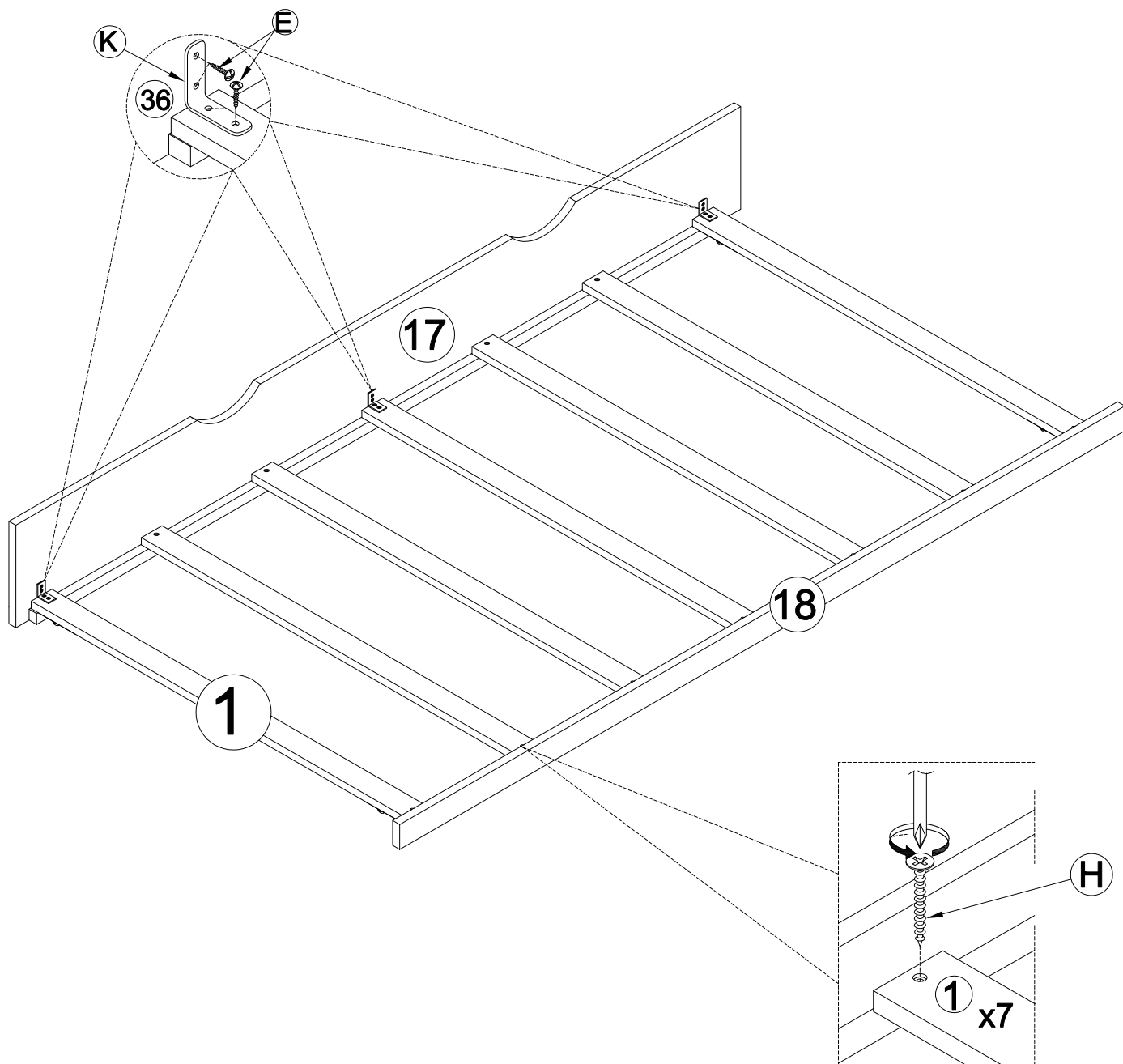
$\text{Ø}4 \times 15 \text{mm}$	$H=40 \text{mm}$
	
Ex8	Dx4



**EQ:equal**  
**EQ:égal**

# STEP 11-2: étape 11-2:

60x25x2	Ø4x15mm	Ø4x30 mm
		
Kx3	Ex12	Hx14



CONGRARULATION. YOU HAVE COMPLETED THE BED  
FÉLICITATION. VOUS AVEZ TERMINÉ LE LIT

