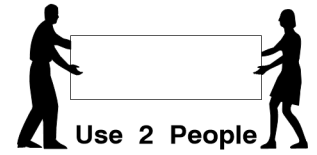
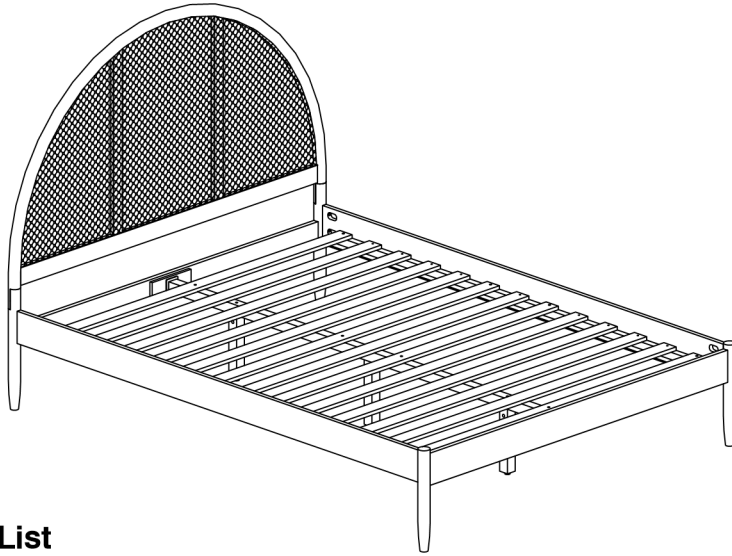


0238 Queen Bed

Assembly Instructions

WI-0724

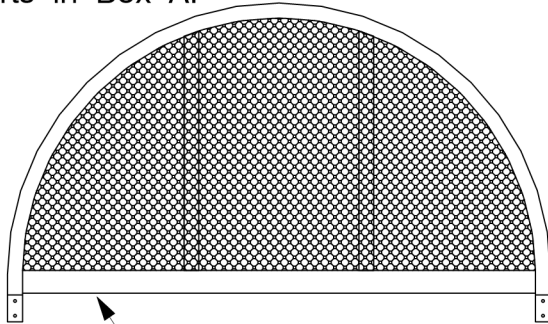
1 Assembled View



Note: Do not assemble using power tools. This can cause the bolts to be overtightened

2 Parts List

Parts in Box A:

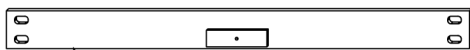


A Headboard Panel x 1



B Headboard Support x 1

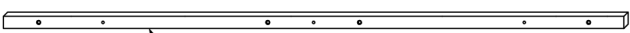
Parts in Box B:



G Footboard Panel x 1



H Side Rail x 2



J Long Support x 1

Parts in Box B:

C

Headboard Post (Left Hand) x 1



D

Headboard Post (Right Hand) x 1



E

Footboard Post (Left Hand) x 1

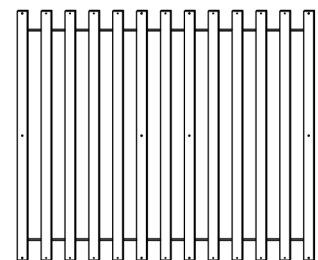


F

Footboard Post (Right Hand) x 1



K Support Leg x 3



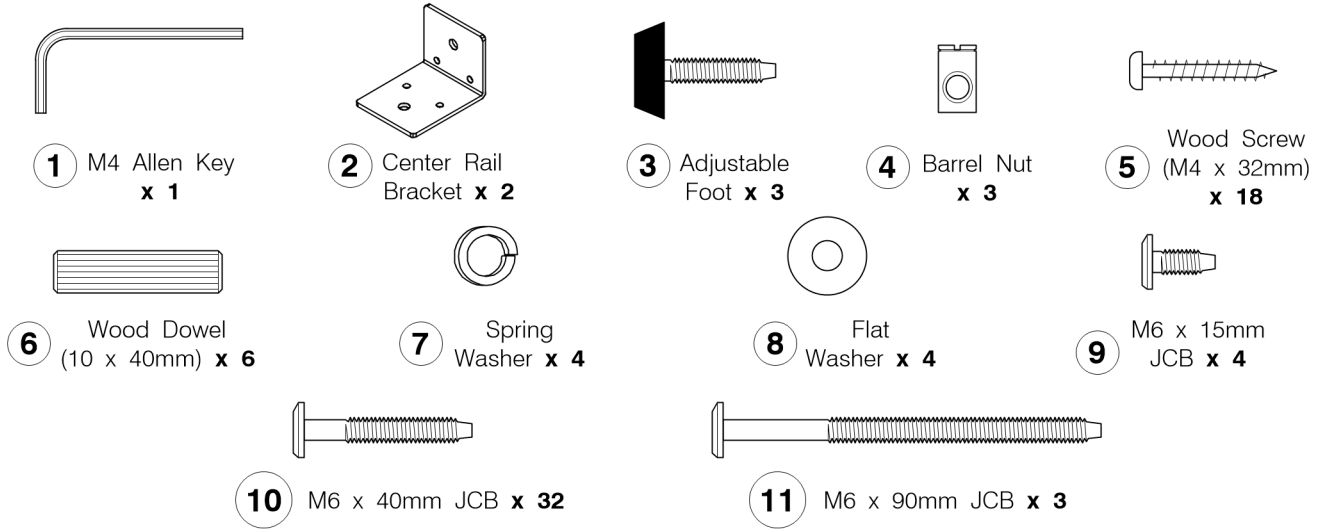
L Set of Bed Slats x 1

0238 Queen Bed

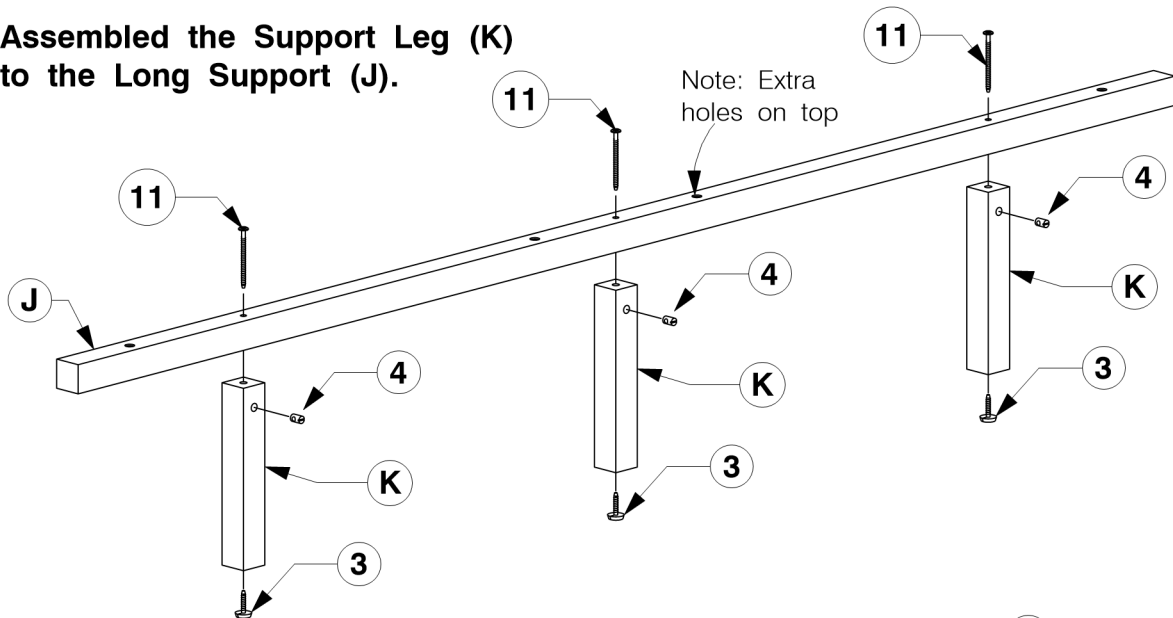
Assembly Instructions

WI-0724

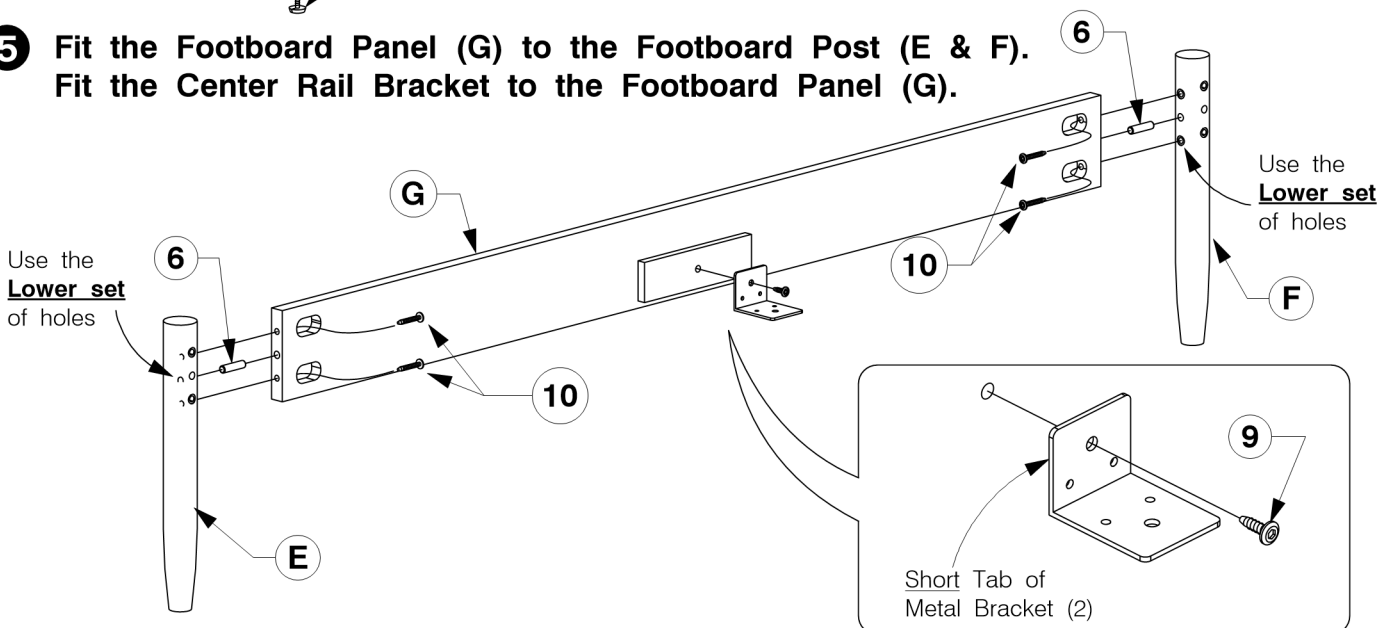
3 Hardware List



4 Assembled the Support Leg (K) to the Long Support (J).



5 Fit the Footboard Panel (G) to the Footboard Post (E & F). Fit the Center Rail Bracket to the Footboard Panel (G).

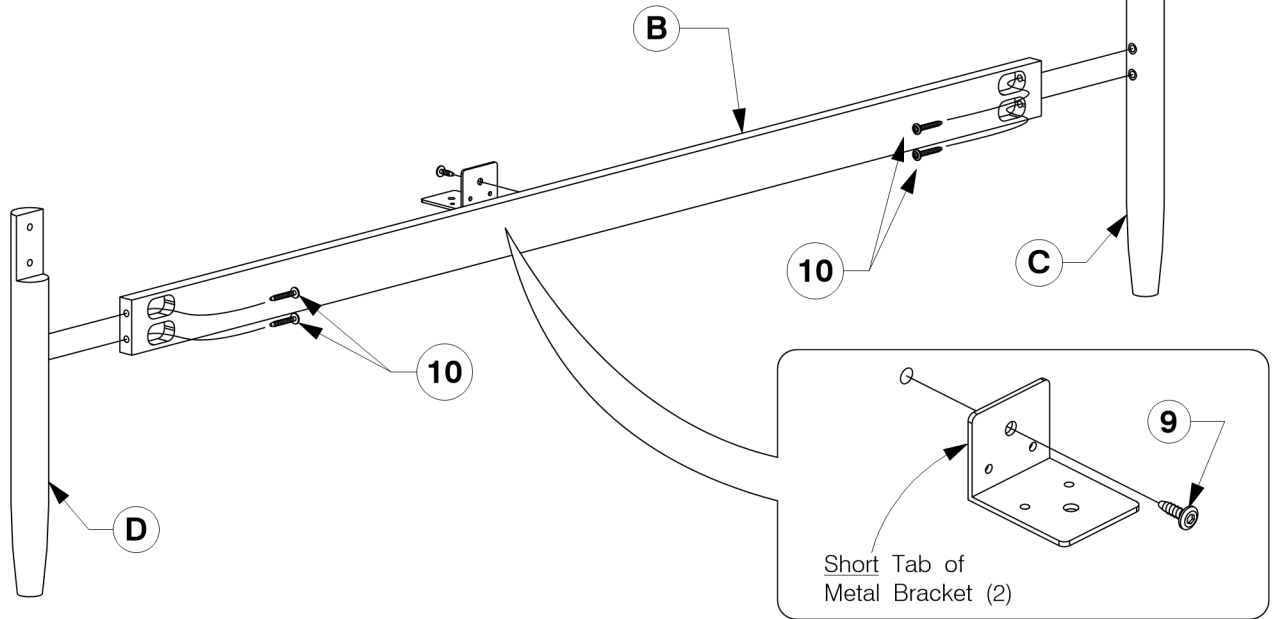


0238 Queen Bed

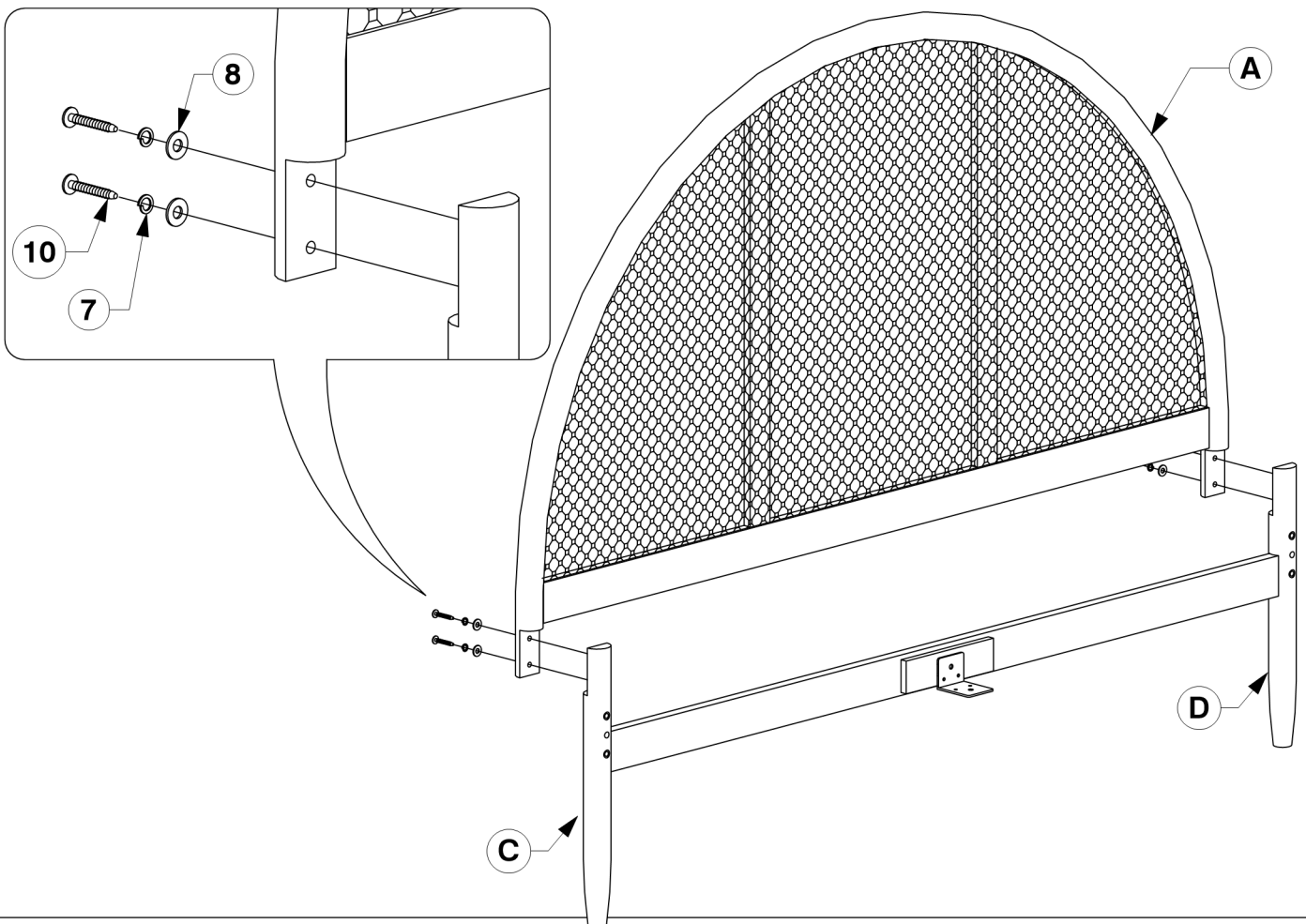
Assembly Instructions

WI-0724

- 6** Fit the Headboard Support (B) to the Headboard Post (C & D).
Fit the Center Rail Bracket to the Headboard Support (B).



- 7** Assemble the Headboard Panel (A) to the Headboard Post (C & D).

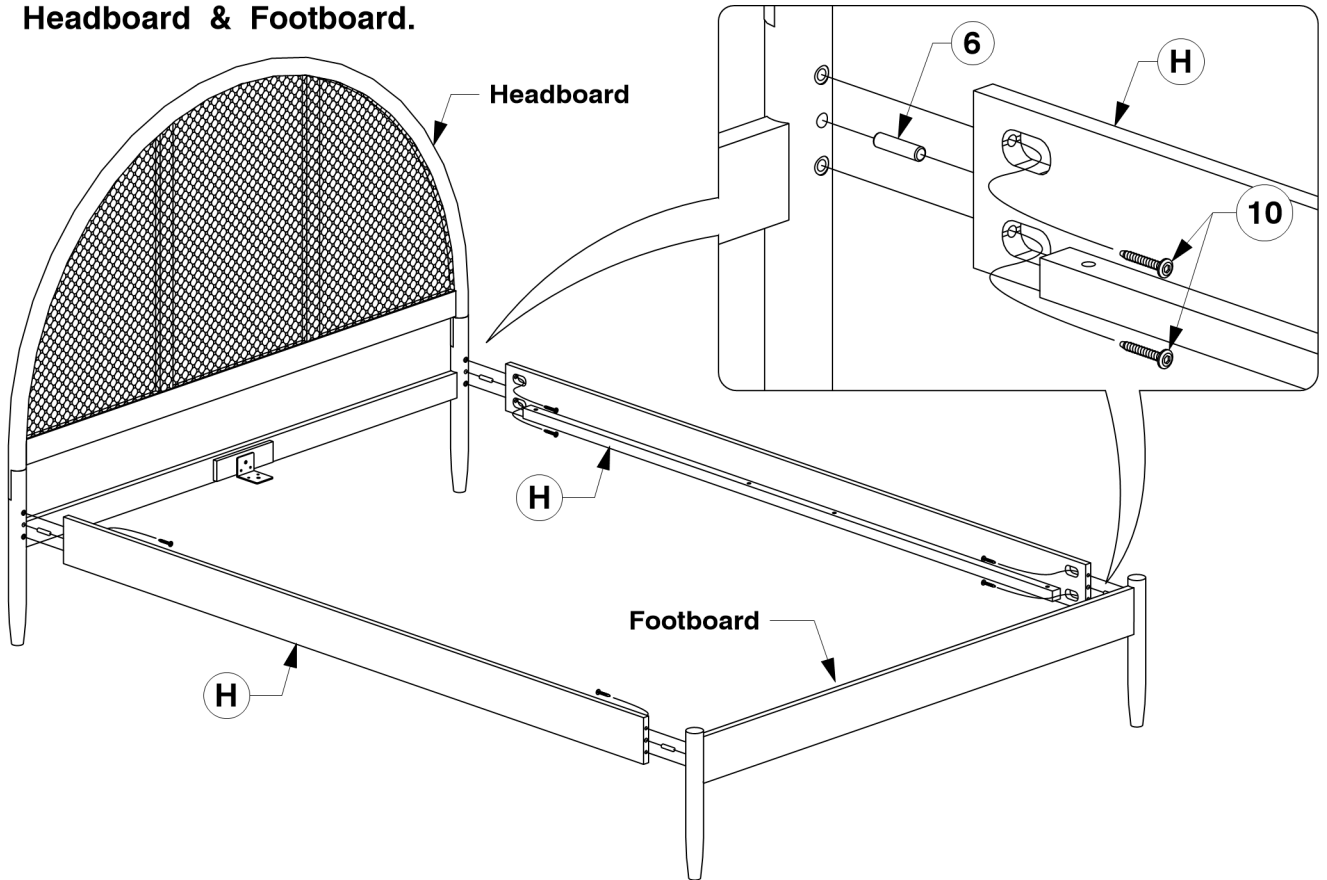


0238 Queen Bed

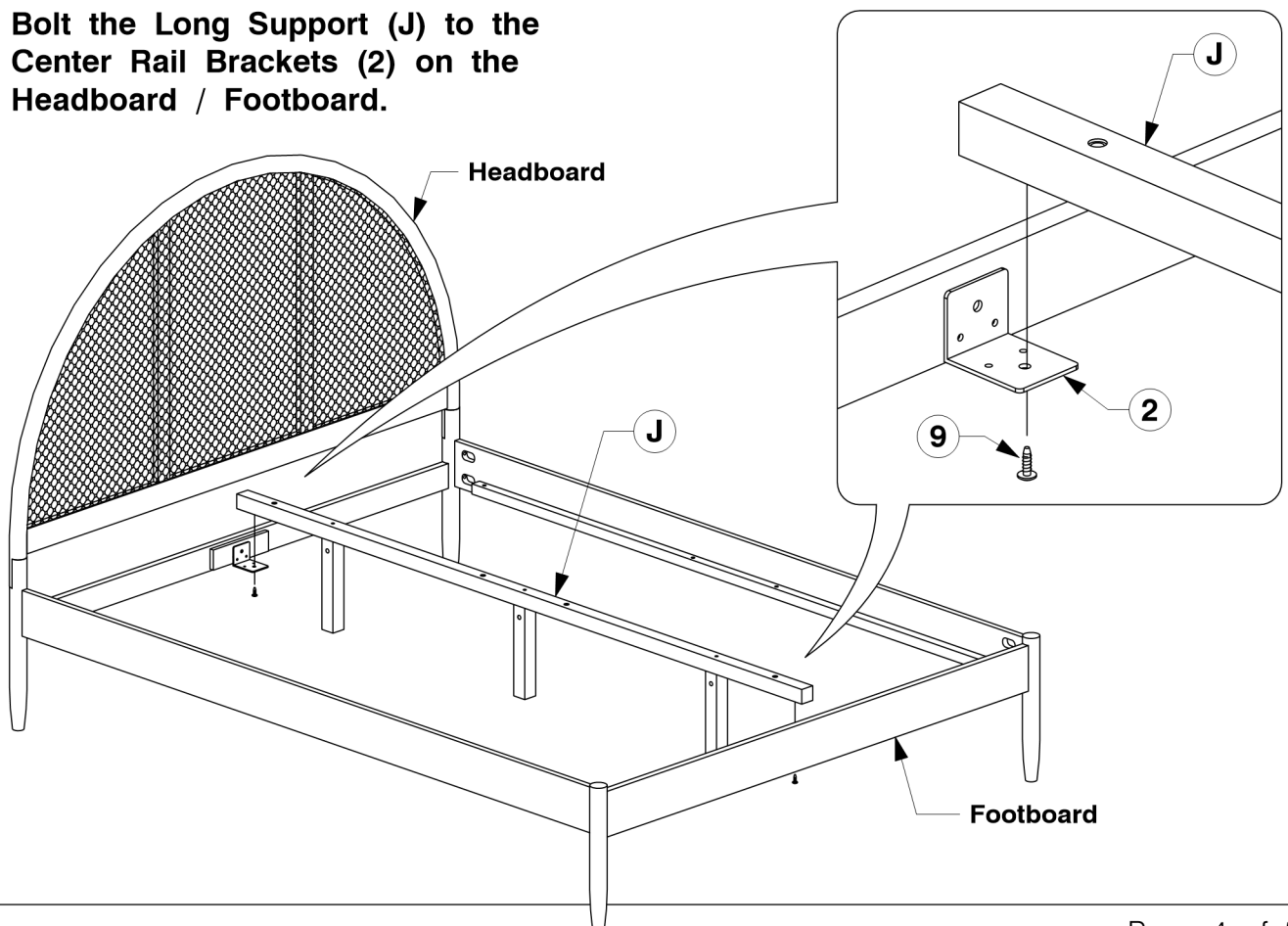
Assembly Instructions

WI-0724

- 8** Assemble the Side Rail (H) to the Headboard & Footboard.



- 9** Bolt the Long Support (J) to the Center Rail Brackets (2) on the Headboard / Footboard.

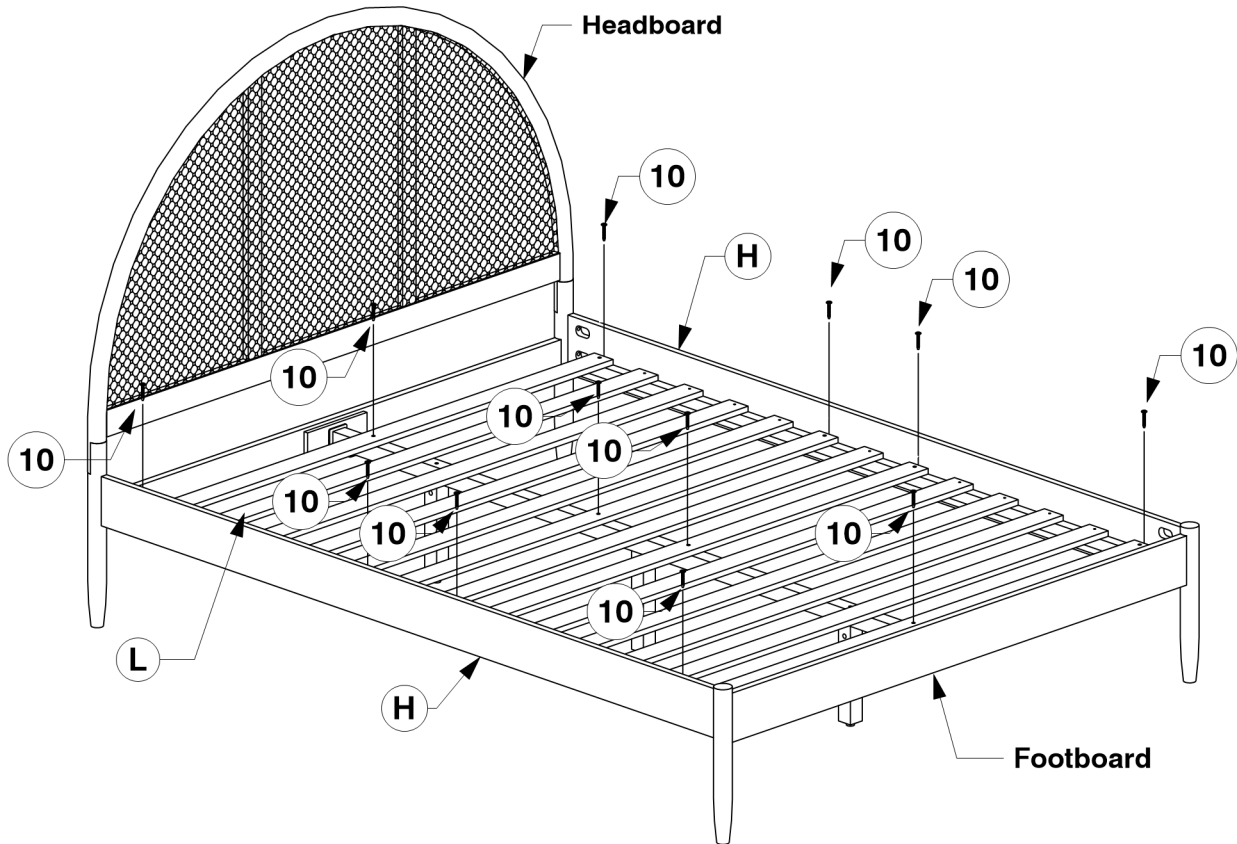


0238 Queen Bed

Assembly Instructions

WI-0724

- 10** Bolt the Bed Slats (L) to the Side Rail (H).



- 11** Screw the Bed Slats (L) to the Side Rail (H).

