



# BED FRAME

Please read this user manual carefully before using this product

**Dear Valued Customer,**

Thank you for choosing our bed frame products! In today's fast-paced world, we understand that quality sleep is essential for your health and well-being. That is why we are committed to providing you with the most comfortable and supportive bed frames, ensuring that you can enjoy deep rest and relaxation every night.

Our team is dedicated to continuous innovation and improvement, aiming to deliver an exceptional sleep experience. We use high-quality materials and cutting-edge technology, meticulously attending to every detail to meet your needs. Your satisfaction is our greatest motivation and honor.

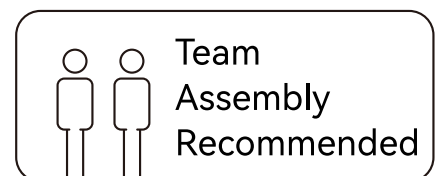
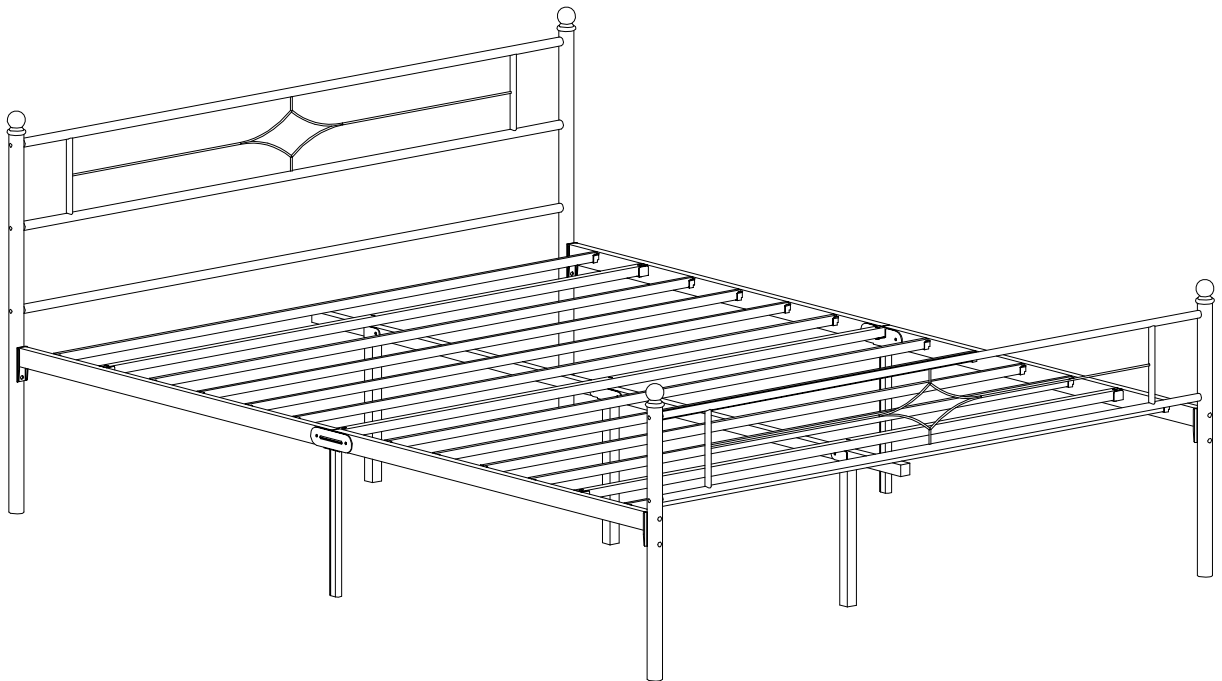
If you have any questions or suggestions while using our product, please do not hesitate to contact us. We greatly value your feedback and will do our utmost to provide you with the best possible service. You can reach us using the following contact information:

Once again, thank you for your trust and support. We wish you many nights of restful sleep!

Sincerely,

*The Support Team*

# ASSEMBLY INSTRUCTIONS



# INTRODUCTION

Thank you for purchasing our product. Please read the instructions carefully before installation and keep it in a safe place for future reference. If you need any assistance or support, please feel free to contact our customer support team.

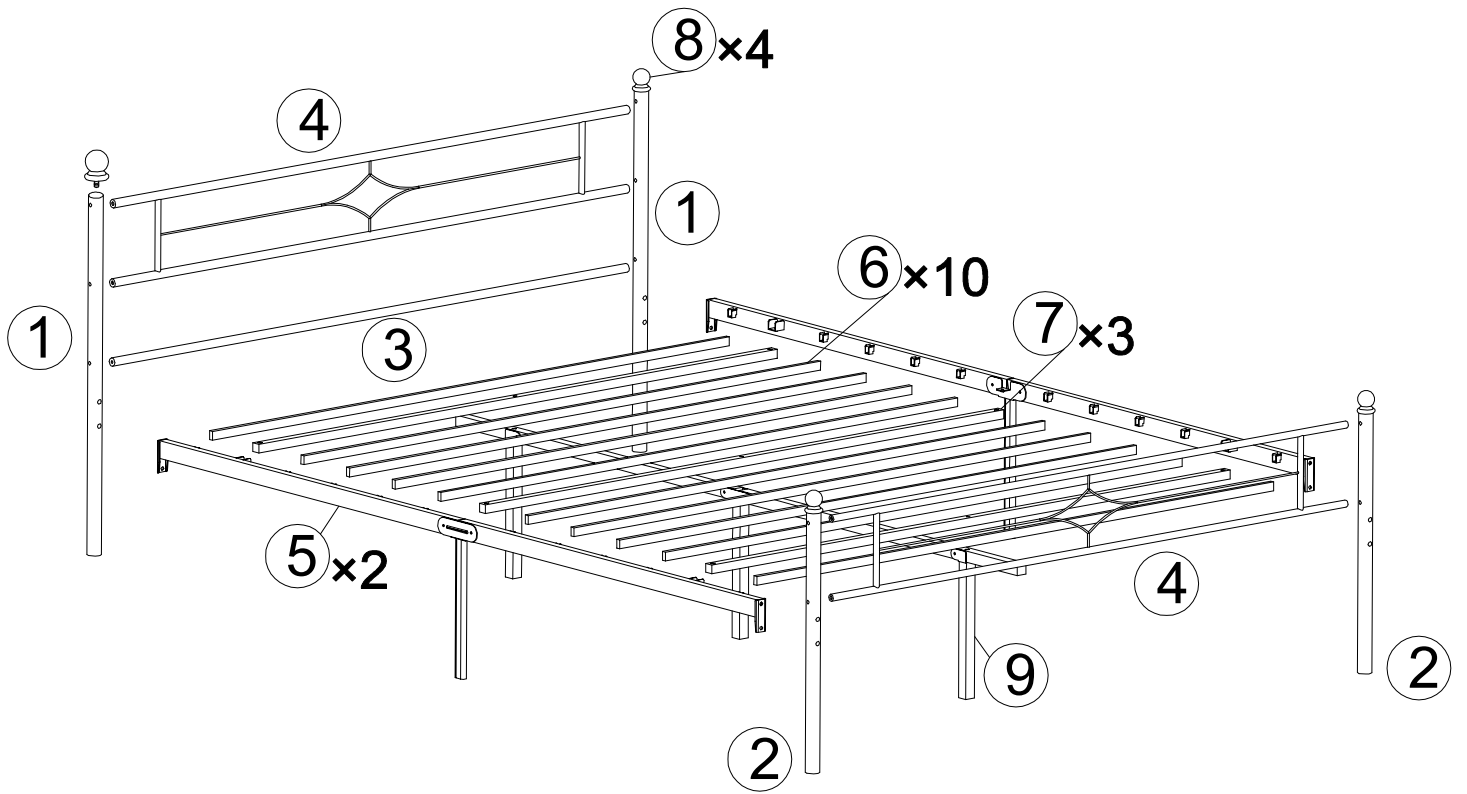
## PRECAUTIONS

1. There are many components and accessories in the package. Each component and accessory is labeled with a letter or a number. Check carefully before using any of them. Keep them away from children to prevent accidents.
2. Please install the product on a clean and soft underlay (such as carpet or cardboard) to avoid scratching or damaging the surface of the product.
3. The main components of the product are relatively heavy. Please pay attention to safety during installation.
4. The product is not stable during installation. Please do not move it randomly before it is completely installed.
5. If you have any questions during installation, please contact the customer service in time.

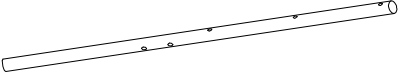
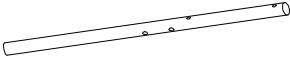

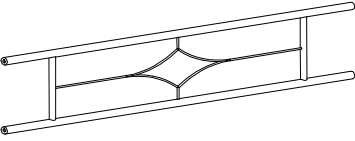
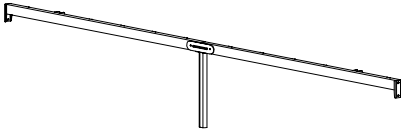
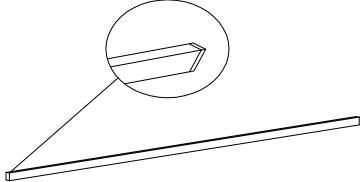
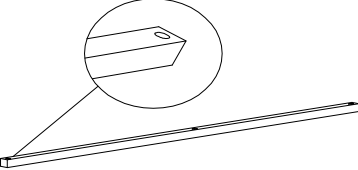
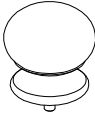
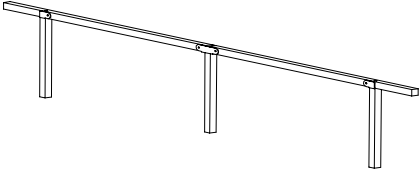
**\* PLEASE BE SURE TO FOLLOW THE INSTALLATION STEPS IN THE MANUAL TO AVOID UNNECESSARY LOSSES CAUSED BY IMPROPER INSTALLATION.**

**\* IF YOU NEED FURTHER ASSISTANCE, PLEASE CONTACT THE CUSTOMER SERVICE ONLINE.**

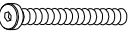
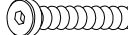
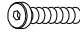
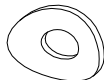


# PRODUCT ASSEMBLY



# PARTS LIST

 <p>① × 2pcs</p>	 <p>② × 2pcs</p>	 <p>③ × 1pc</p>
 <p>④ × 2pcs</p>	 <p>⑤ × 2pcs</p>	 <p>⑥ × 10pcs</p>
 <p>⑦ × 3pcs</p>	 <p>⑧ × 4pcs</p>	 <p>⑨ × 1pc</p>

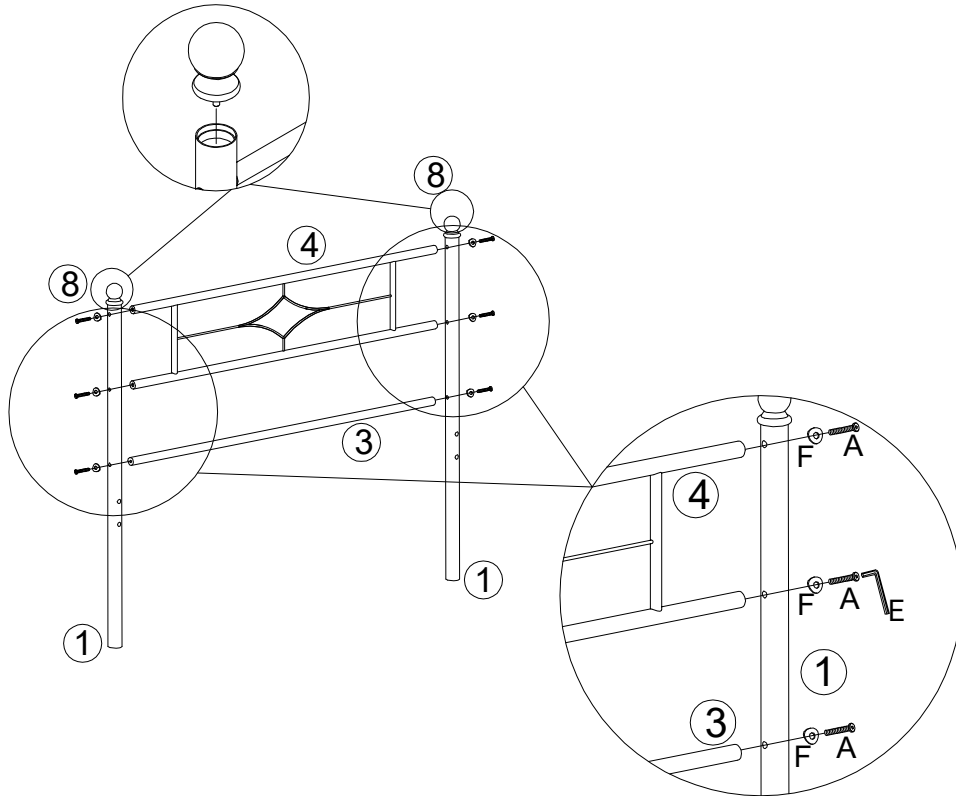
# HARDWARE LIST

 <p>M6×55mm A × 13pcs</p>	 <p>M8×50mm B × 8pcs</p>	 <p>M6×30mm C × 6pcs</p>	 <p>F × 18pcs</p>	 <p>E × 1pc</p>
 <p>N × 1pc</p>				

# ASSEMBLY INSTRUCTIONS

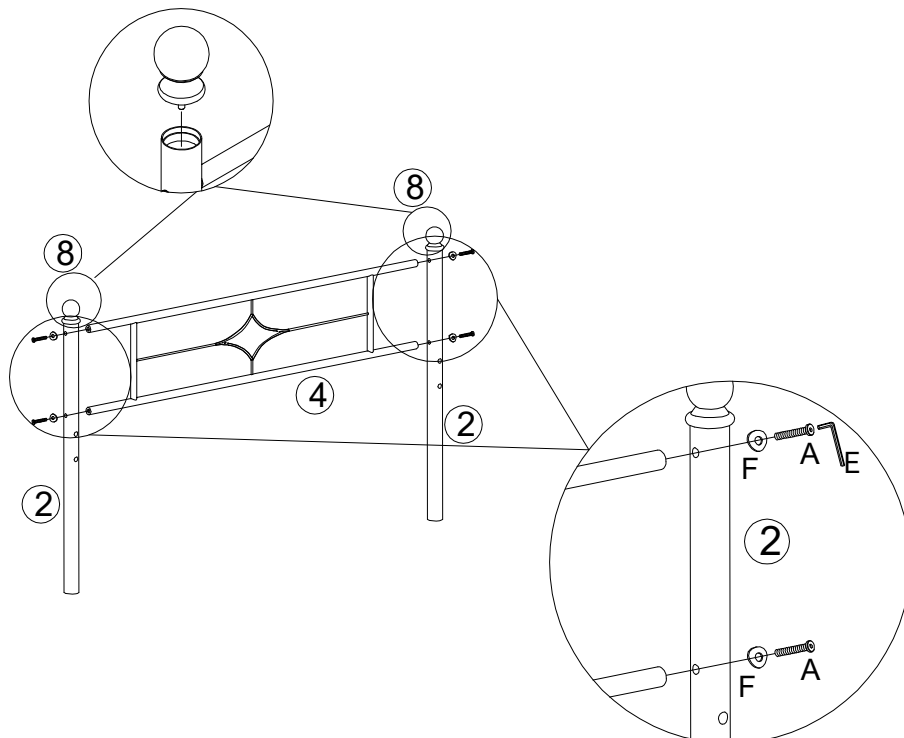
1

⊙ F ×6pcs    ⌀ A ×6pcs



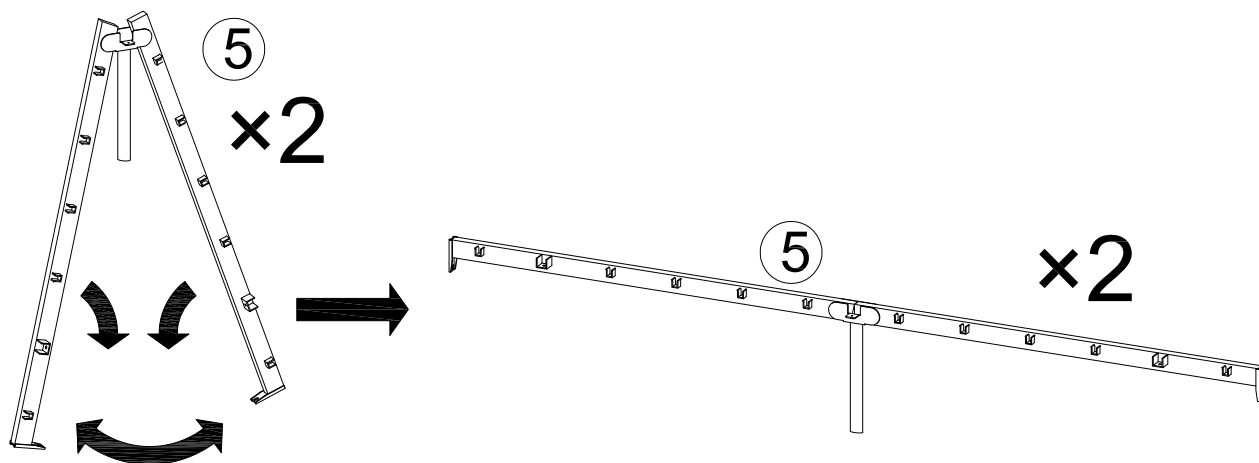
2

⊙ F ×4pcs    ⌀ A ×4pcs



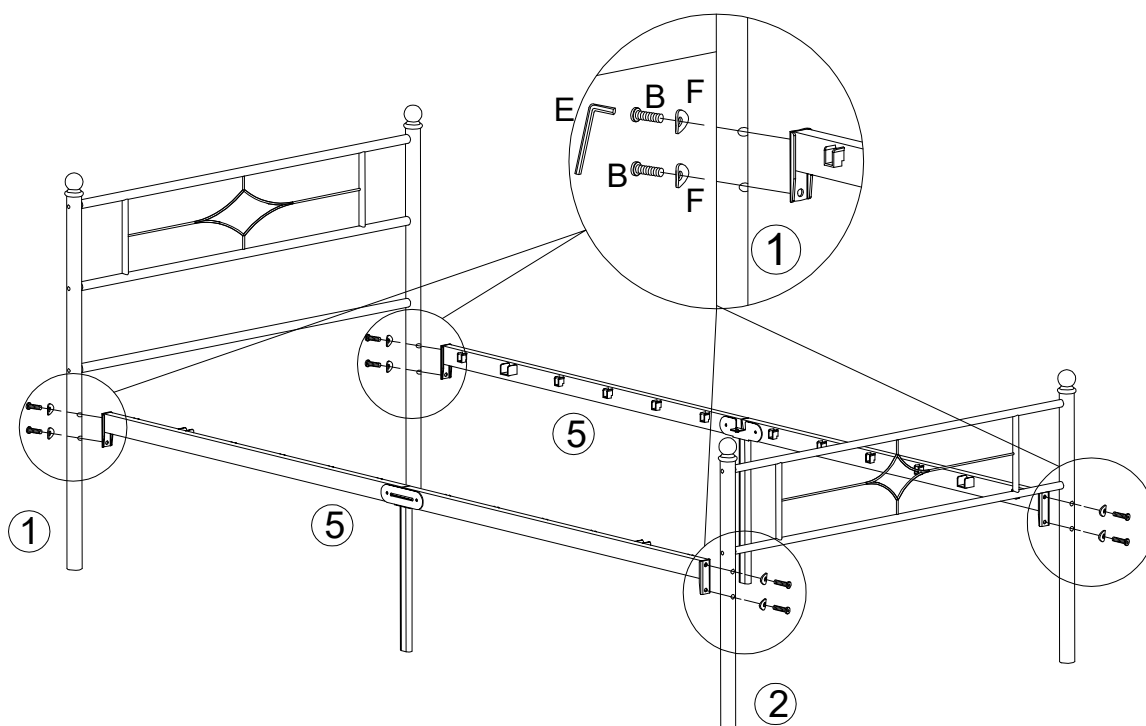
# ASSEMBLY INSTRUCTIONS

3



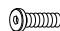
4

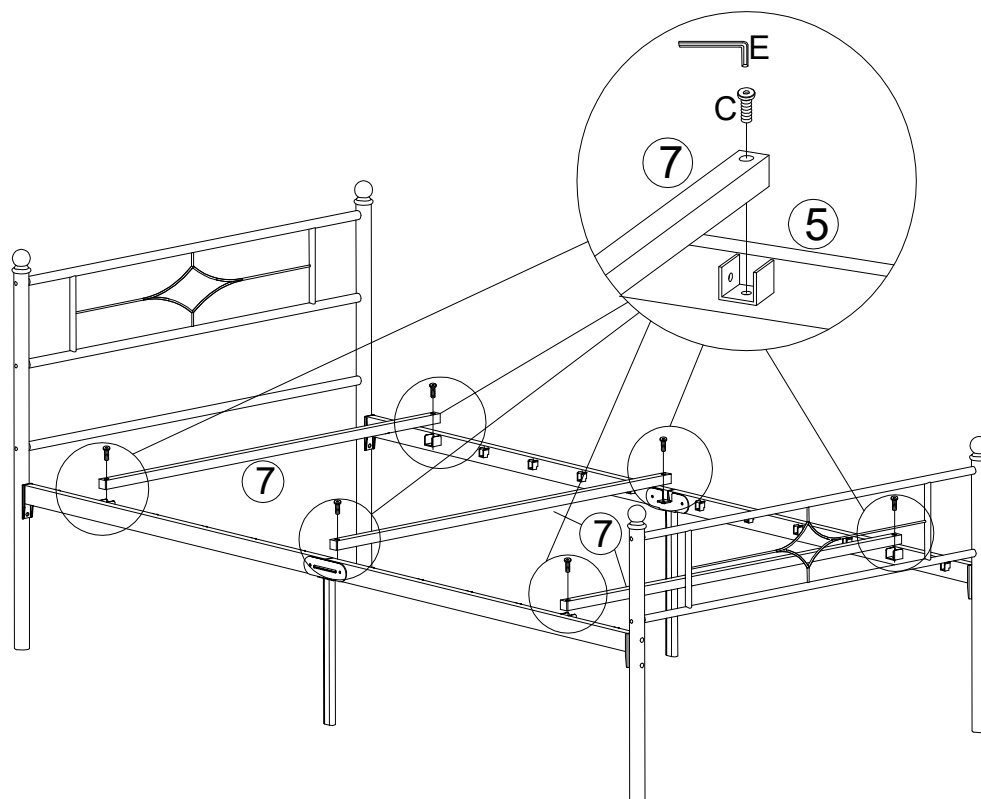
⊙ F x8pcs    ⊕ B x8pcs



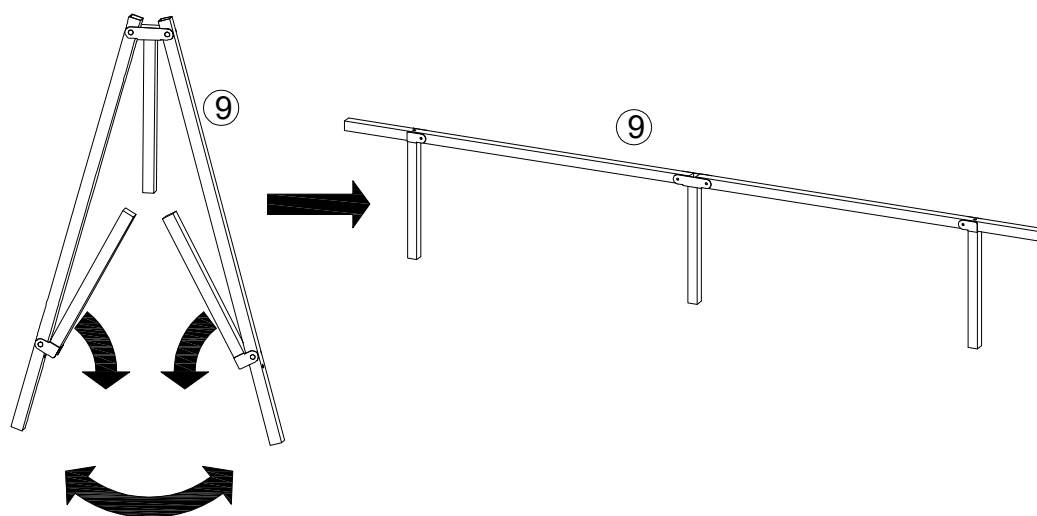
# ASSEMBLY INSTRUCTIONS

5

 C x6pcs



6

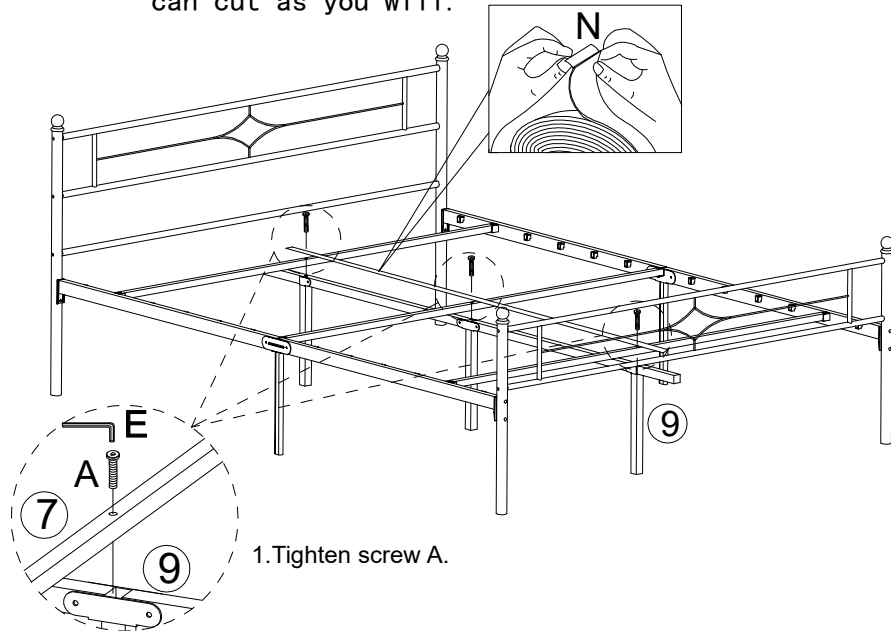


# ASSEMBLY INSTRUCTIONS

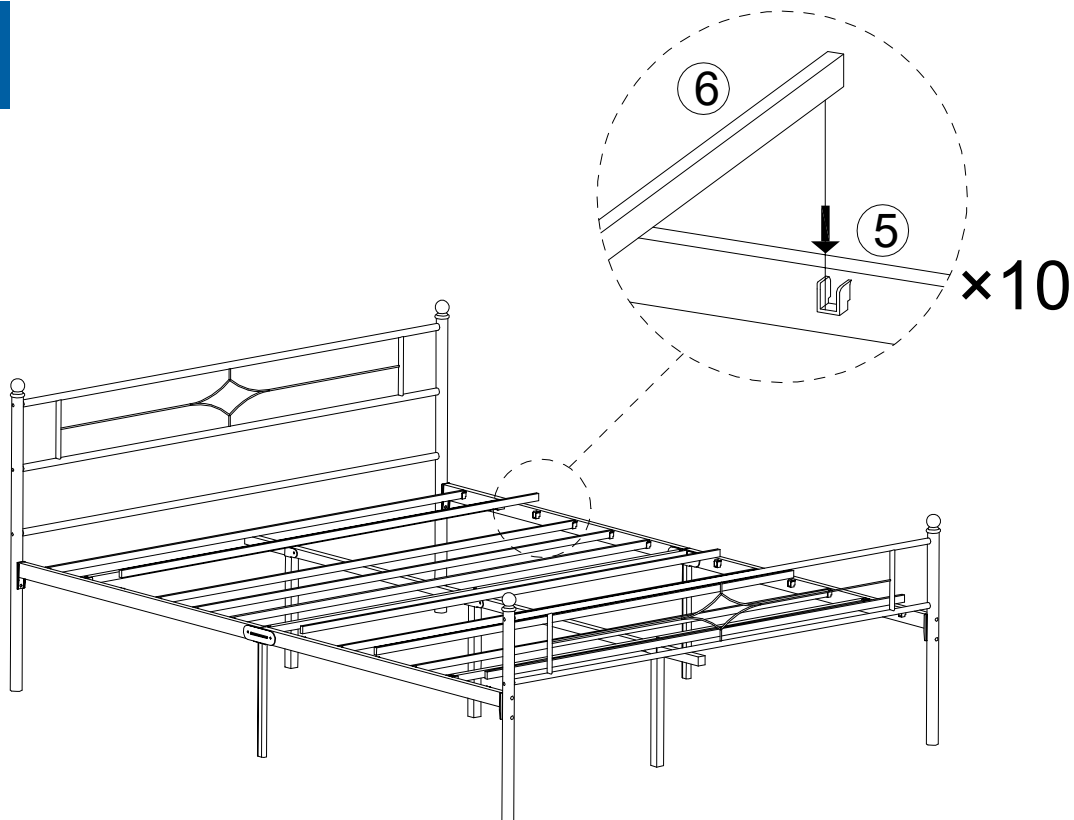
7

 A x3pcs  N x1pc

2. To prevent friction noise, unroll part N and fit it on part 9, the length of part N can cut as you will.



8



# ASSEMBLY INSTRUCTIONS

9

