

# KM-05

Assemble Instructions

## Hardware Identification



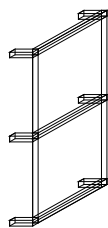
Ⓐ M6\*10x24PCS



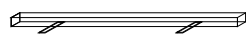
Ⓑ M6x1PC

## Part Identification

①x2PCS



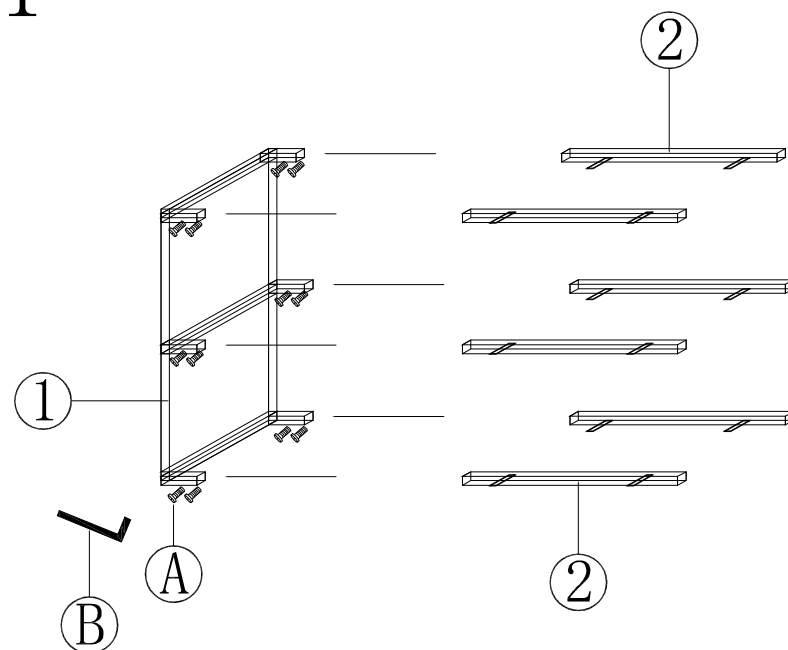
②x6PCS



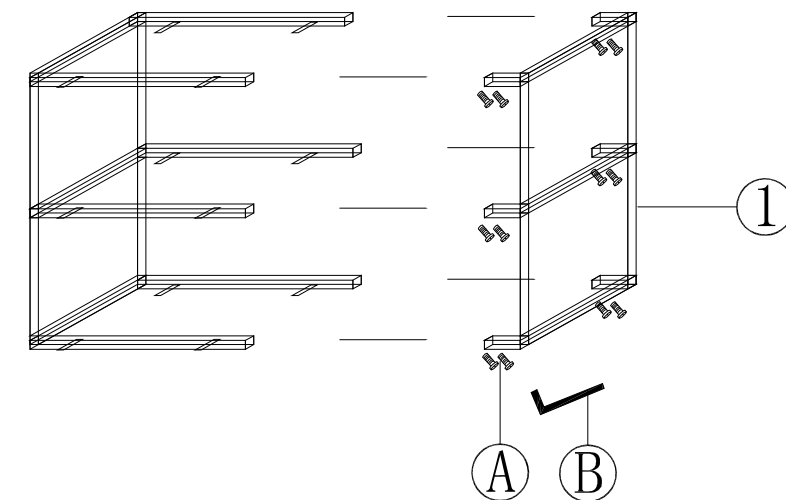
③x3PCS



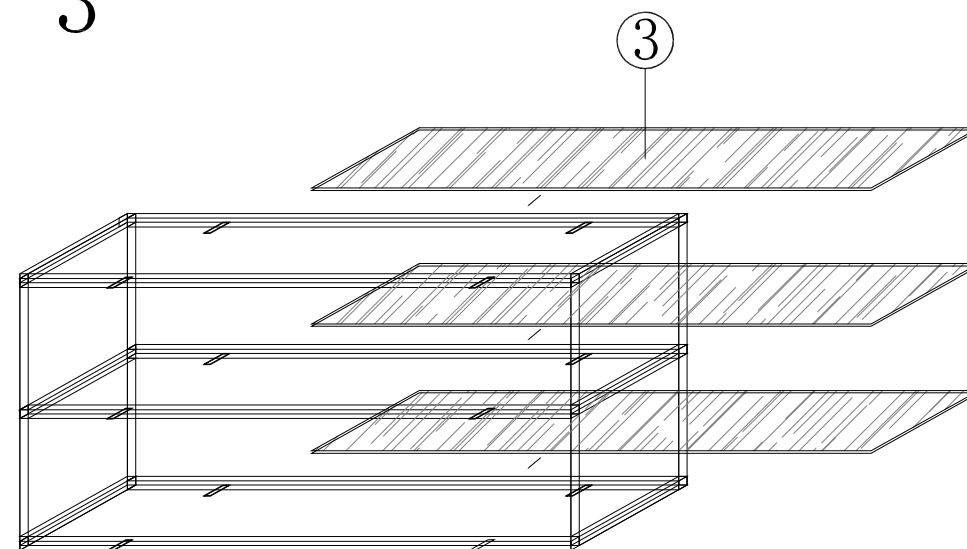
1



2



3



4

