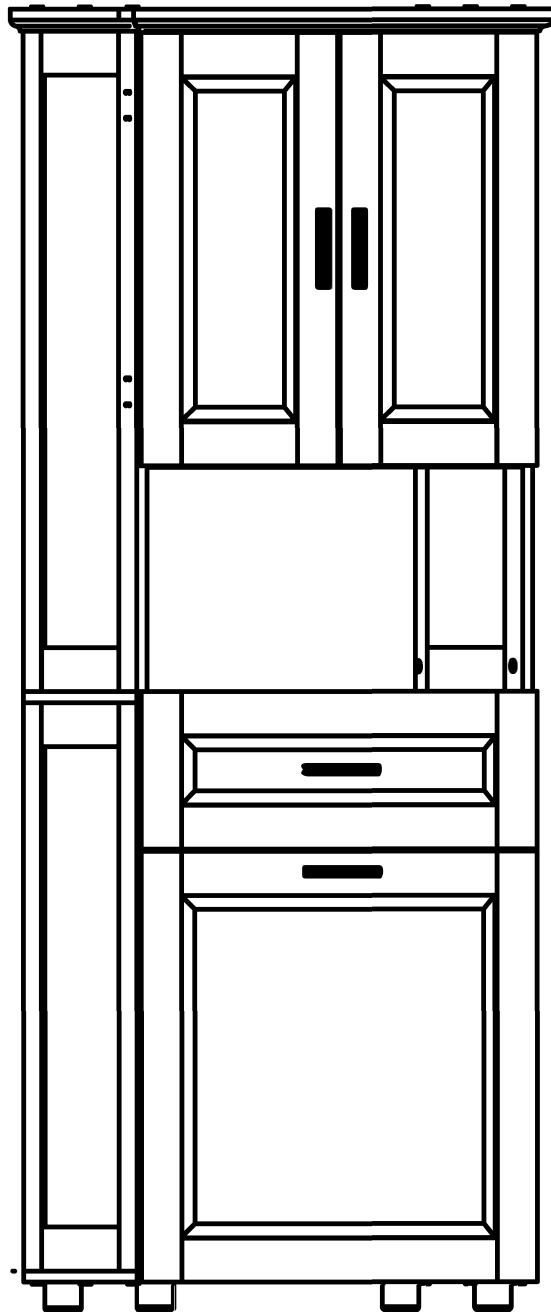
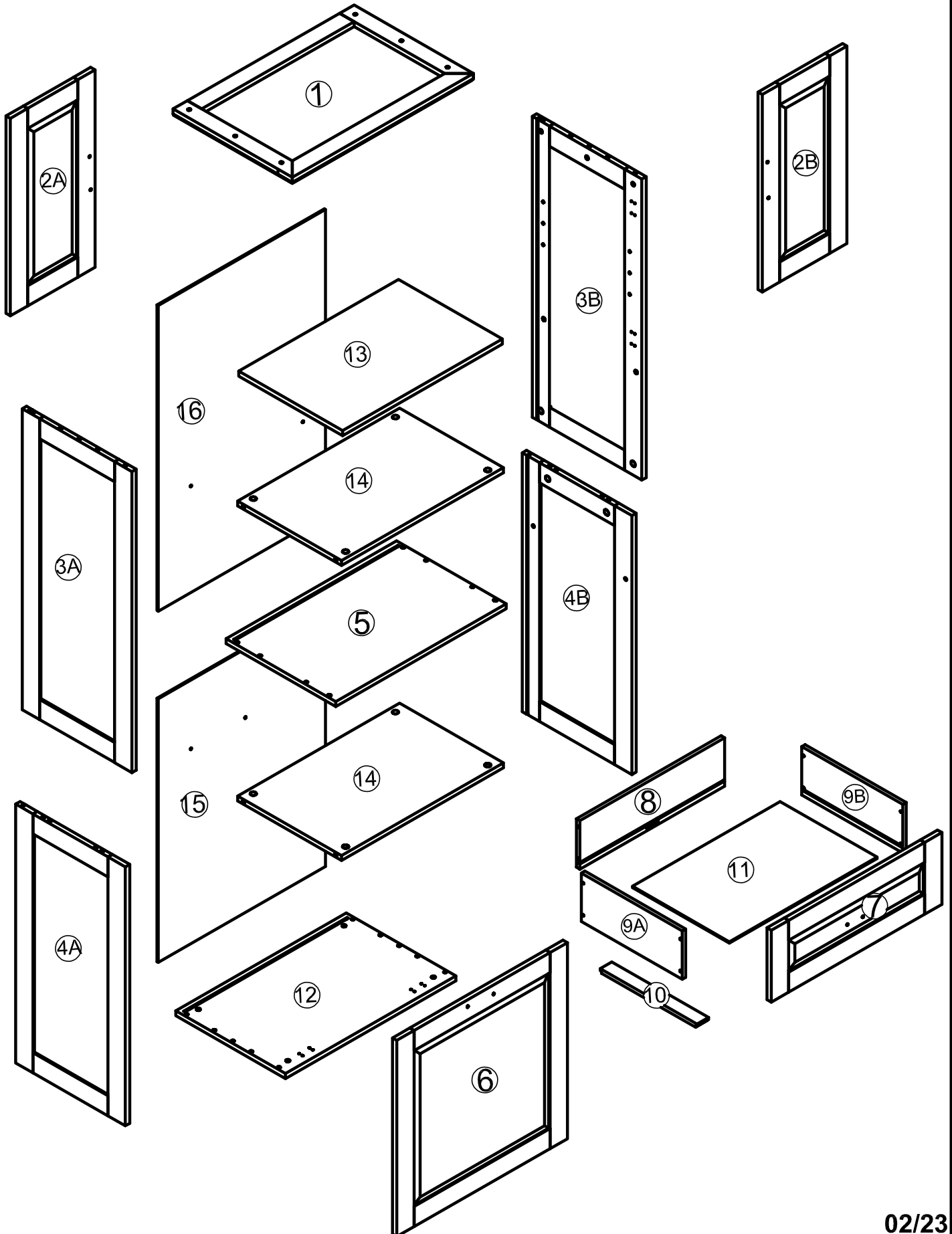


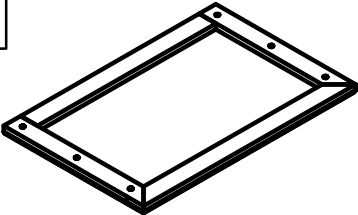
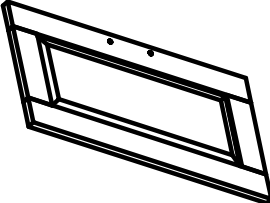
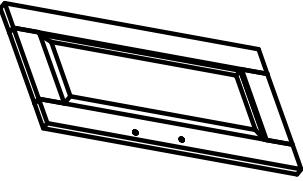
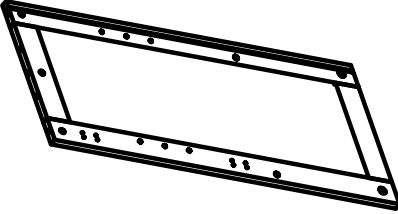
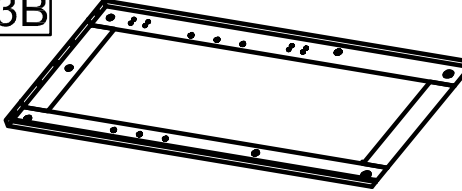
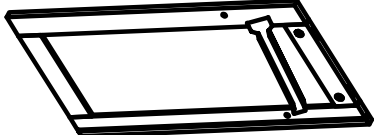
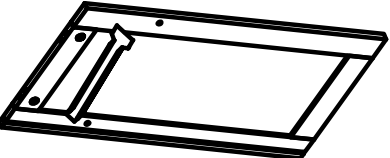

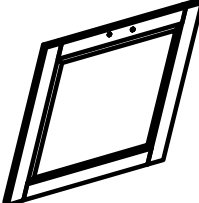
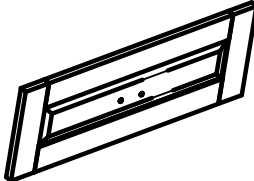

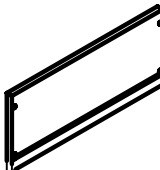
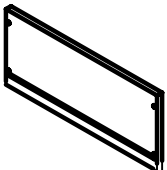
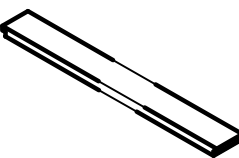
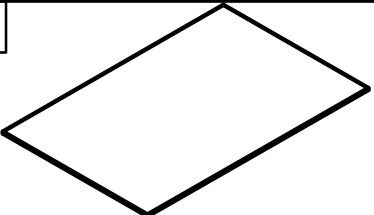
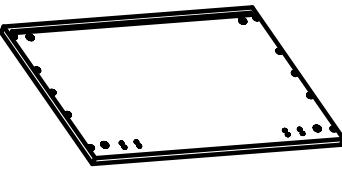
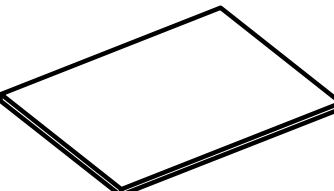
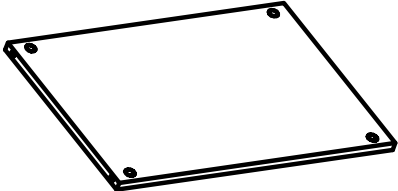
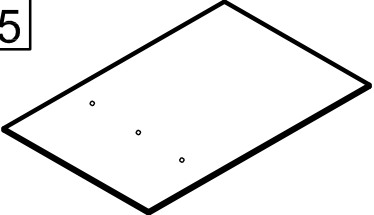
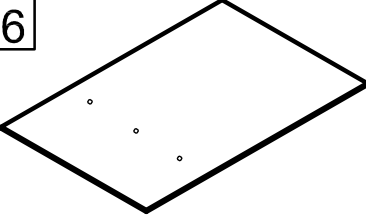
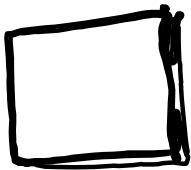
ASSEMBLY INSTRUCTION





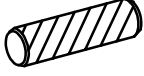
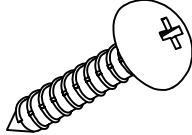

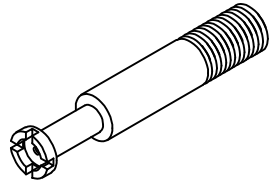


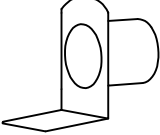
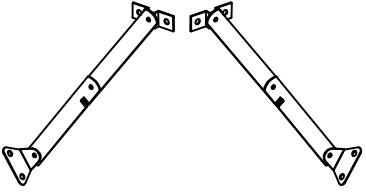


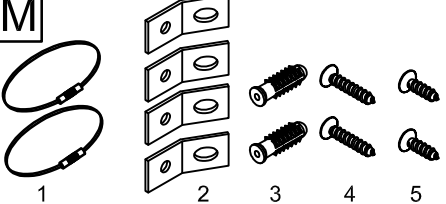

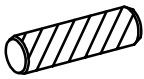


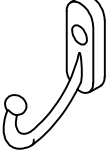


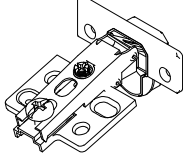

ASSEMBLY INSTRUCTION

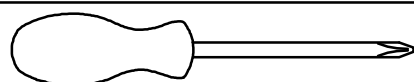


Part List

<p>1</p>  <p>The top of the cabinet-1pcs</p>	<p>2A</p>  <p>CABINET WINGS-1pcs</p>	<p>2B</p>  <p>CABINET WINGS-1pcs</p>
<p>3A</p>  <p>SIDE EDGE OF CABINET-1pc</p>	<p>3B</p>  <p>SIDE EDGE OF CABINET-1pc</p>	<p>4A</p>  <p>SIDE EDGE OF CABINET-1pc</p>
<p>4B</p>  <p>SIDE EDGE OF CABINET-1pc</p>	<p>5</p>  <p>CABINET COMPARTMENT PANELS-1pcs</p>	<p>6</p>  <p>CABINET WINGS-1pcs</p>
<p>7</p>  <p>DRAWER-FRONT Panels-1pc</p>	<p>8</p>  <p>DRAWER-Back Panels-1pcs</p>	<p>9A</p>  <p>DRAWER-SIDE Panels-1pcs</p>
<p>9B</p>  <p>DRAWER-SIDE Panels-1pcs</p>	<p>10</p>  <p>Drawers-Support Bottom-1pcs</p>	<p>11</p>  <p>Drawer-Bottom Panels-1pcs</p>
<p>12</p>  <p>CABINET BOTTOM-1pcs</p>	<p>13</p>  <p>MOVING SHELVES-1pcs</p>	<p>14</p>  <p>FIXED SHELF-2pcs</p>
<p>15</p>  <p>Cabinet Back-1pcs</p>	<p>16</p>  <p>Cabinet Back-1pcs</p>	<p>T</p>  <p>Cloth Bag-1pc</p>

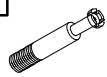



Hardware List

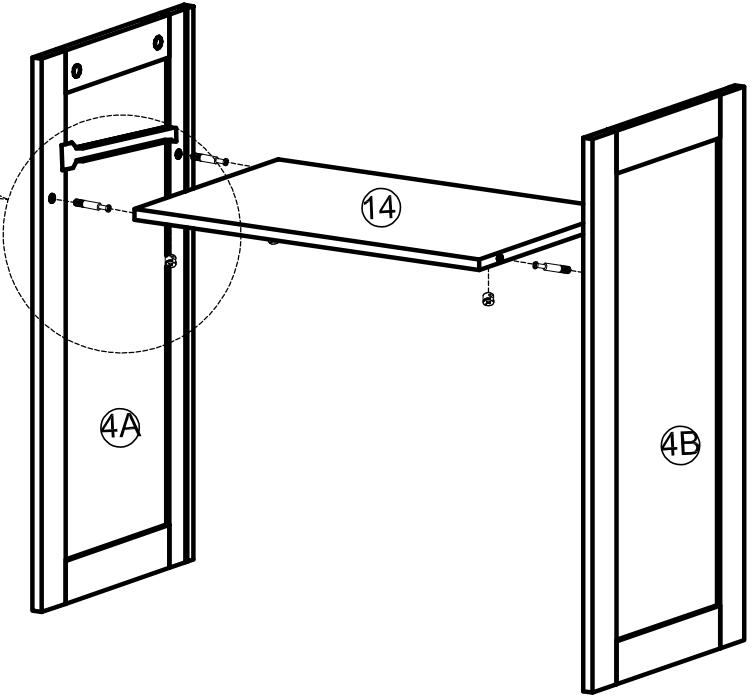
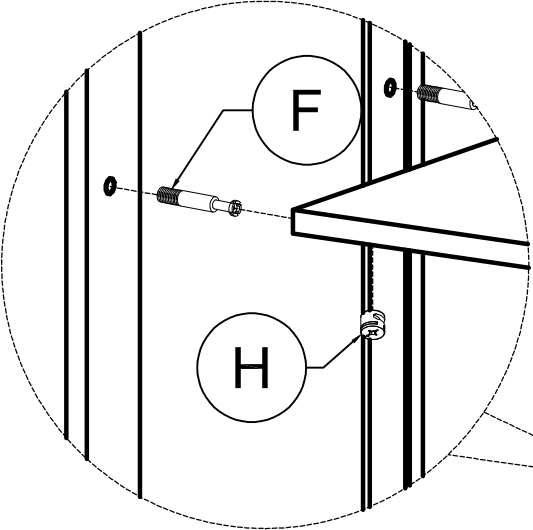
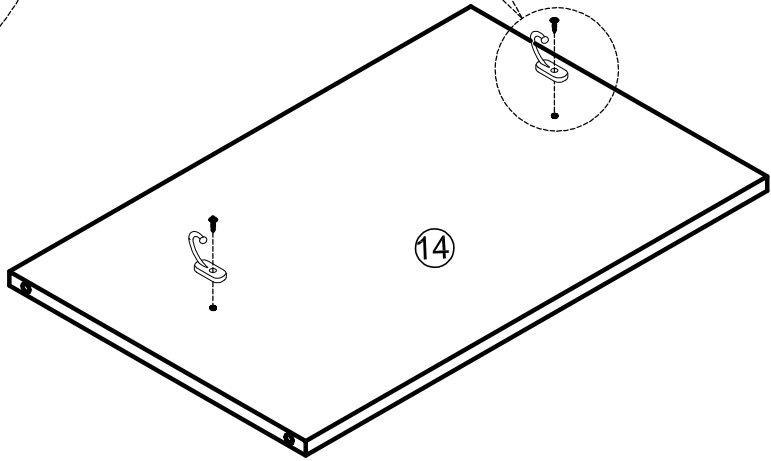
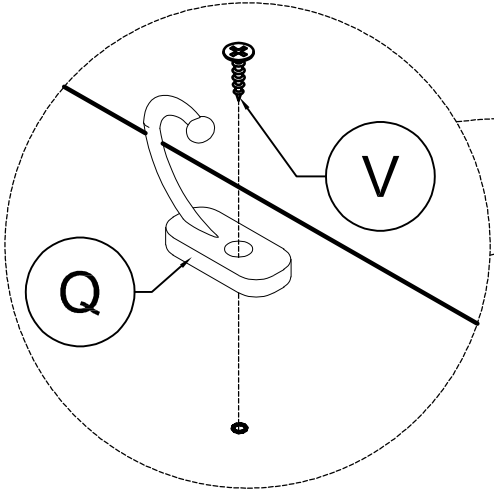
<p>A</p>  <p>Ø1/4" x 70mm Hex-Head bolts 6pcs</p>	<p>B</p>  <p>Ø1/4" x 13 mm Horizontal-Hole bolts 12pcs</p>	<p>C</p>  <p>Ø8 x 30 mm Wood dowel 8pcs</p>
<p>D</p>  <p>M4 x 30 mm Wood Screws 18pcs</p>	<p>E</p>  <p>Ø1/4" x 50mm Hex-Head bolts 6pcs</p>	<p>F</p>  <p>Link 1 - 16 pcs</p>
<p>G</p>  <p>Plastic Feet(Ø50x40) 4pcs</p>	<p>H</p>  <p>Link 2 - 16 pcs</p>	<p>I</p>  <p>Support Pin 4pcs</p>
<p>J</p>  <p>Crankshaft 1 set (1L-1R)</p>	<p>K</p>  <p>Allen Key 1pc</p>	<p>L</p>  <p>Handle Steel 4pcs</p>
<p>M</p>  <p>Wall brackets 2set</p>	<p>N</p>  <p>Clamp pin 2pcs</p>	<p>O</p>  <p>Ø8 x 60 mm Wood dowel 4pcs</p>
<p>P</p>  <p>M4 x 18mm Hex-Head bolts 6pcs</p>	<p>R</p>  <p>M3.5 x 15mm Wood Screws 4pcs</p> <p>Q</p>  <p>Hanger 4pcs</p>	<p>S</p>  <p>M4 x 25mm Hex-Head bolts 2pcs</p>
<p>W</p>  <p>M4 x 15 mm Wood Screws 58pcs</p>	<p>X</p>  <p>Hinge - 6Pcs</p>	<p>Z</p>  <p>M4 x 30mm Wood Screws 8pcs</p>







Assembly Tools Required (Not Included)

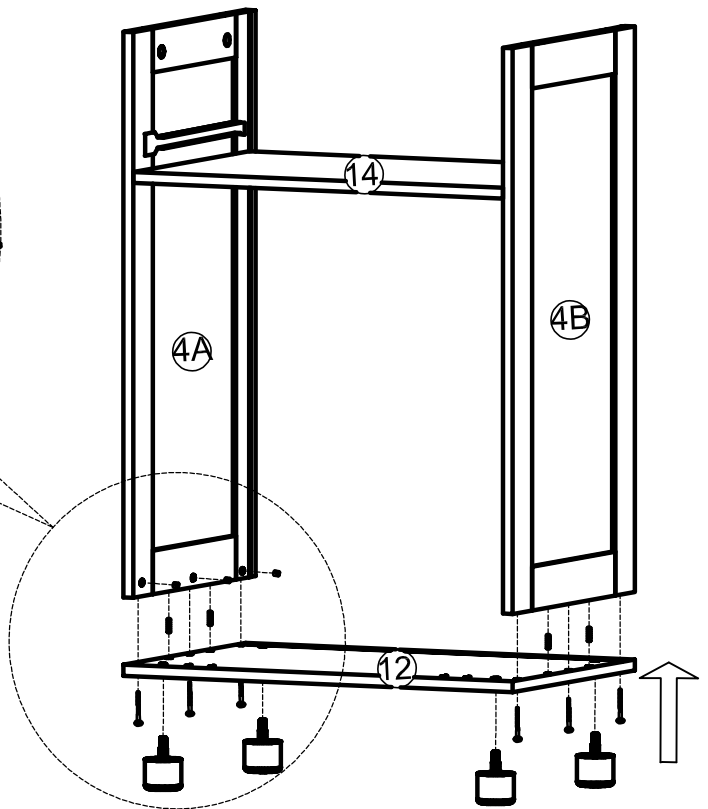
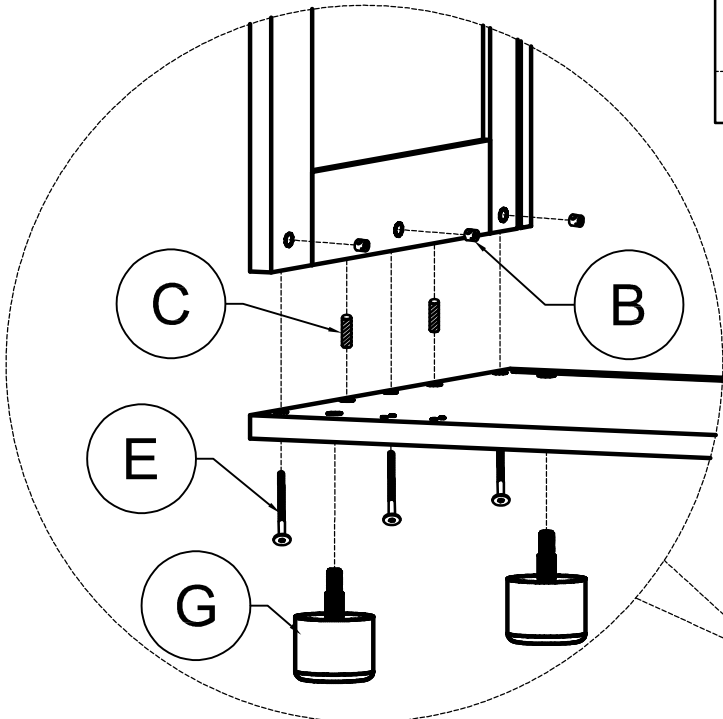
STEP 1: Following below illustration:

F	H	Q	R
			
4pcs	4pcs	2pcs	2pcs

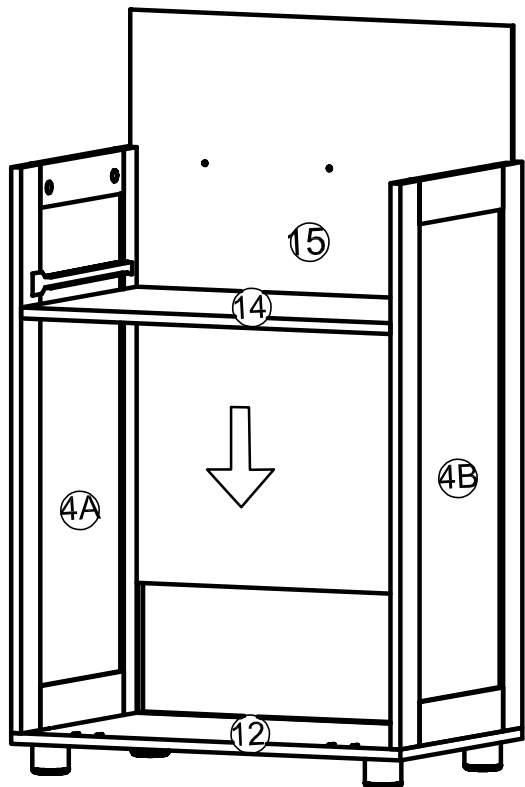


STEP 2: Following below illustration:


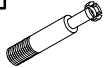

G 	C 	E 	B 
4pcs	4pcs	6pcs	6pcs

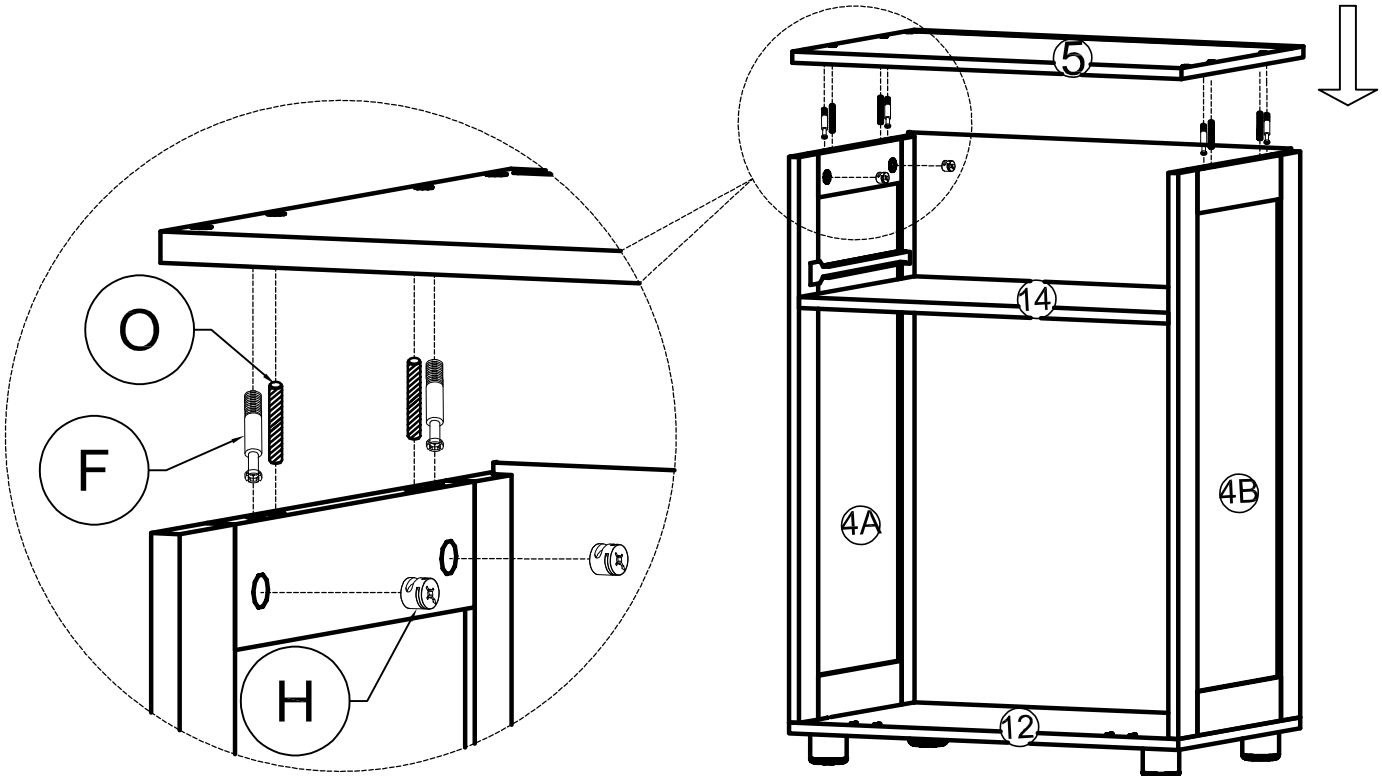


STEP 3: Following below illustration:

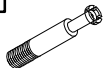



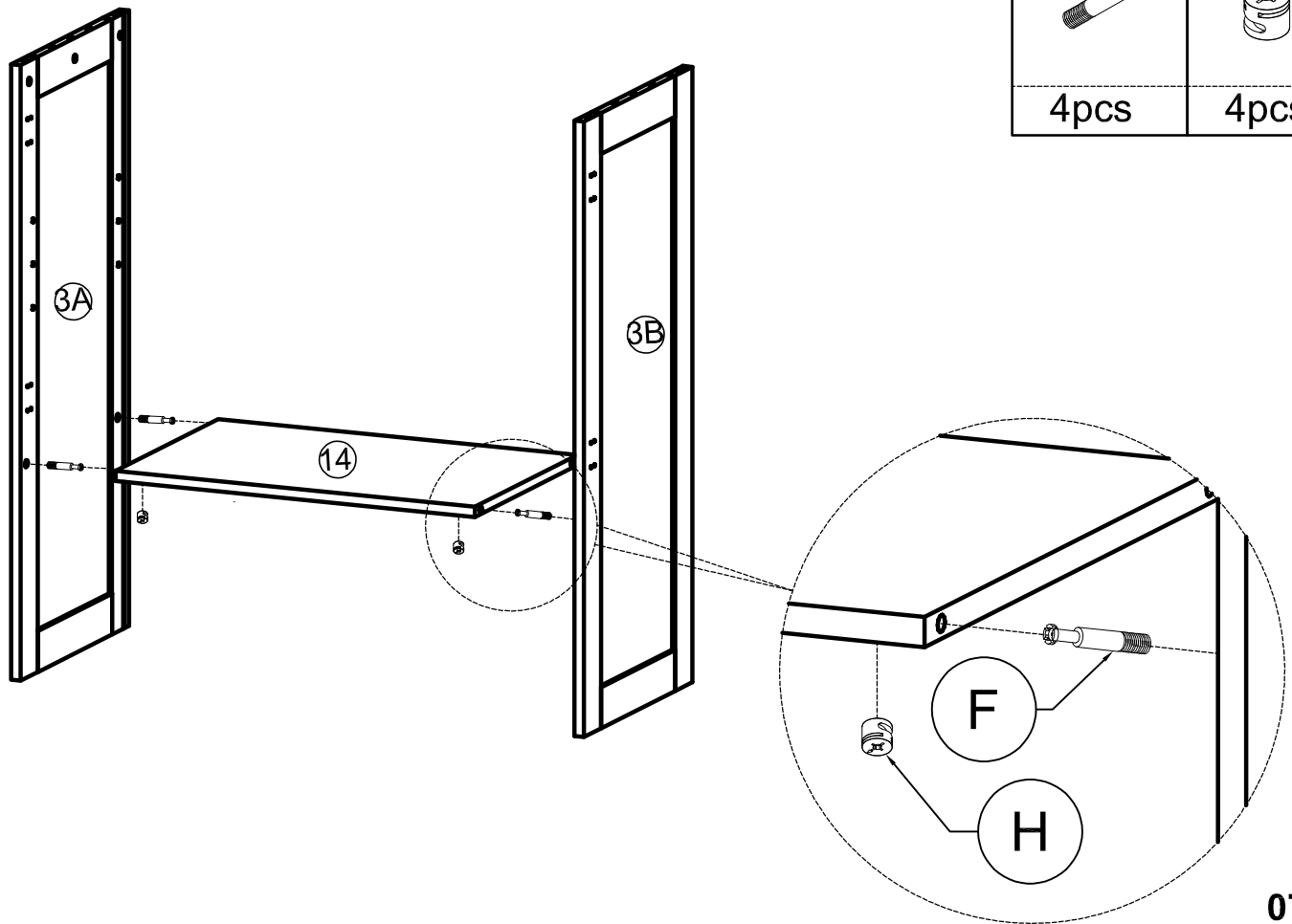
STEP 4: Following below illustration:

O	F	H
		
4pcs	4pcs	4pcs

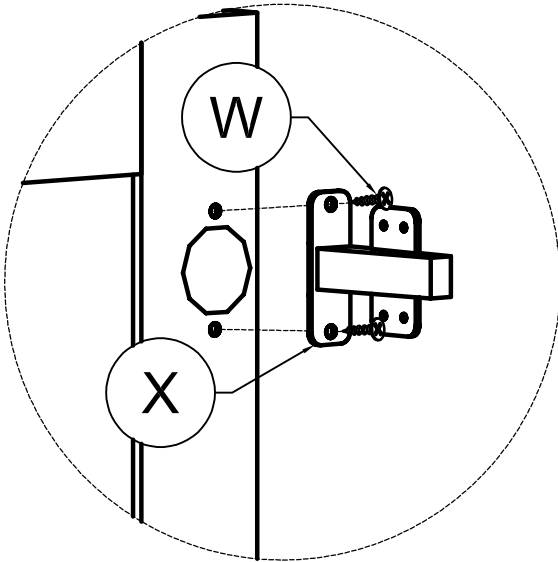


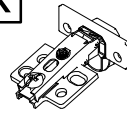

STEP 5: Following below illustration:

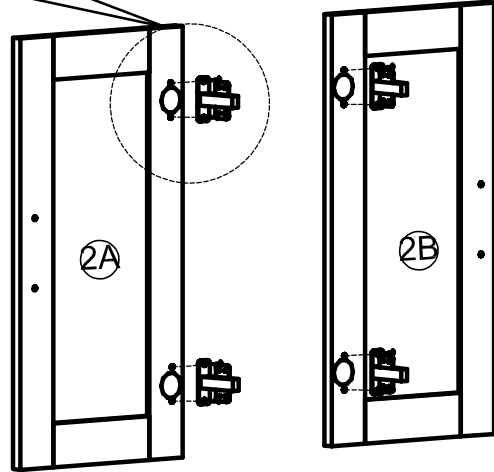
F	H
	
4pcs	4pcs



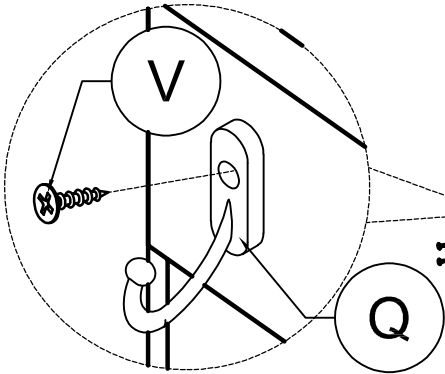
STEP 6: Following below illustration:



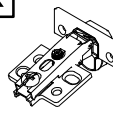



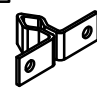


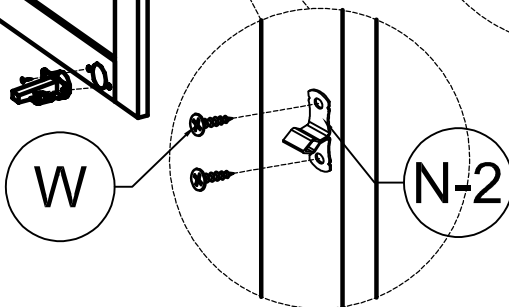
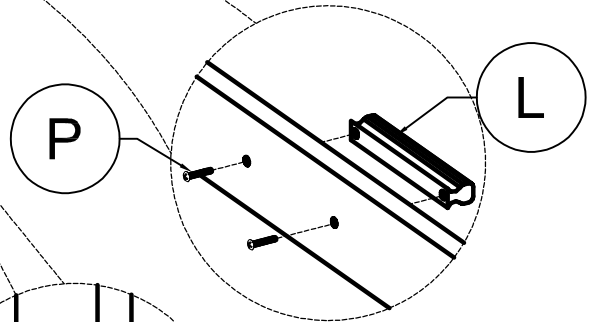
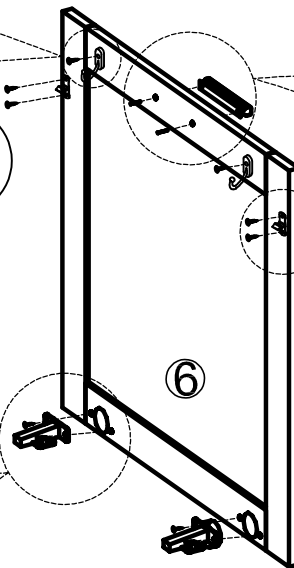
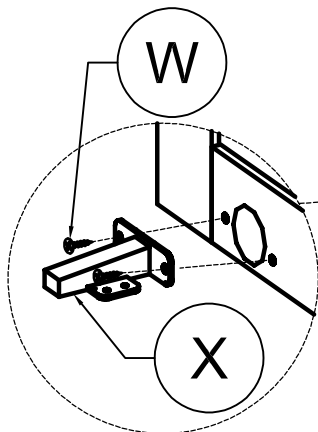
X		W	
	4pcs		8pcs



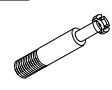

STEP 7: Following below illustration:

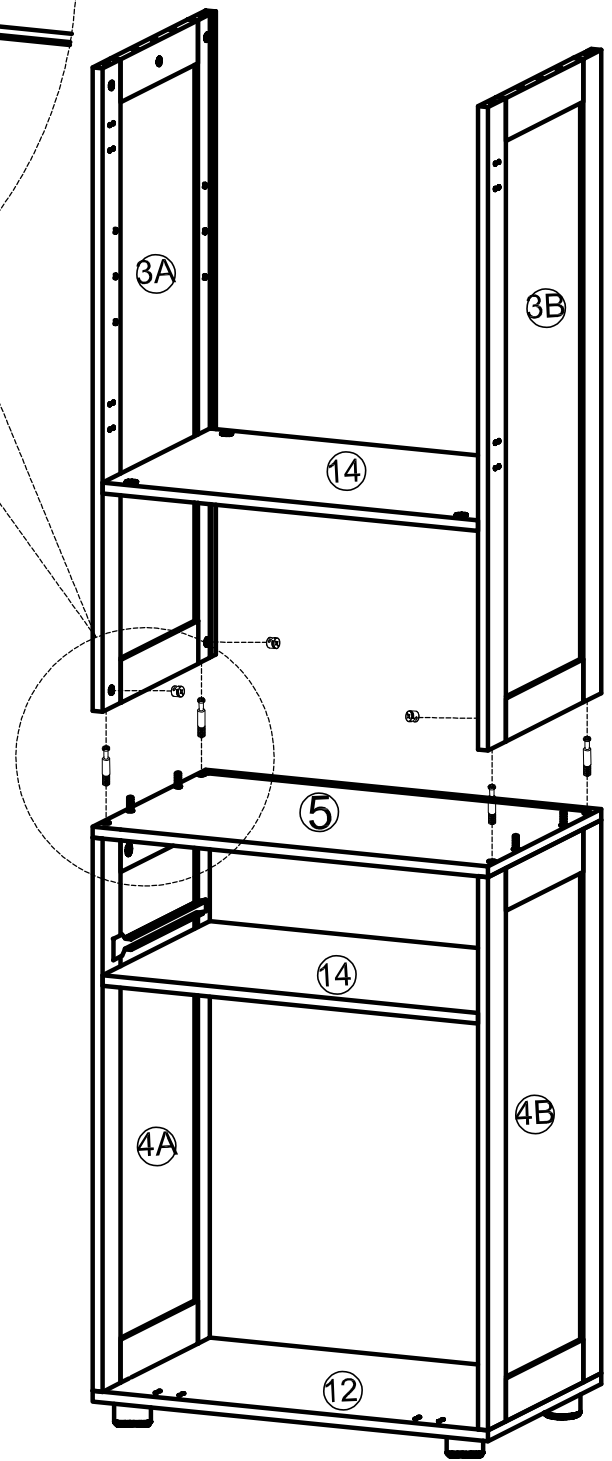
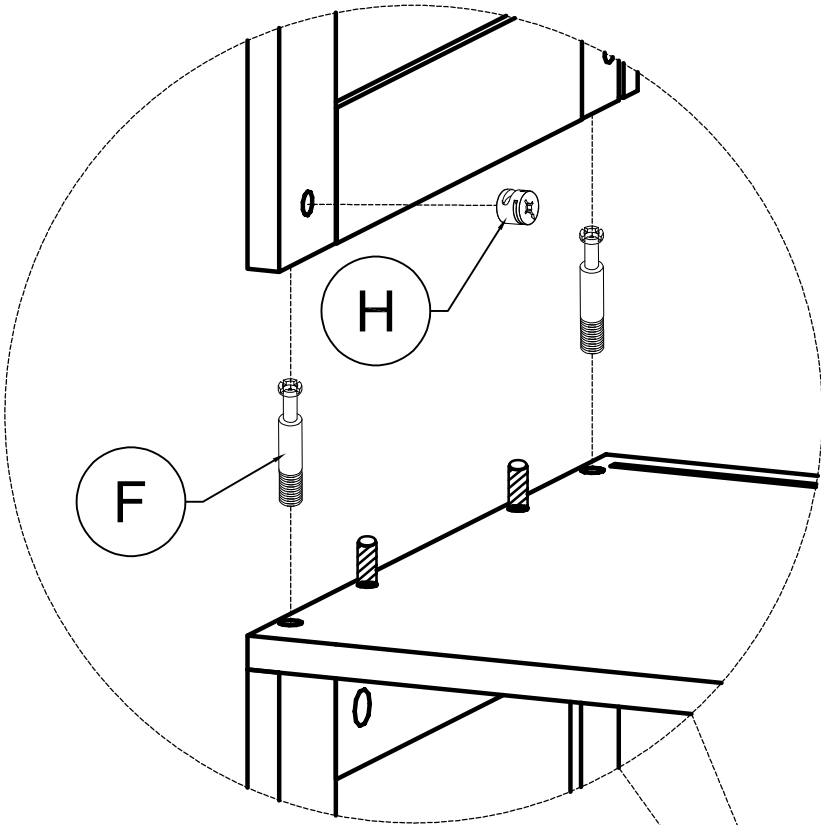


R		Q		X		L		W	
	2pcs		2pcs		2pcs		1pcs		8pcs
						P		N-2	
							2pcs		2pcs

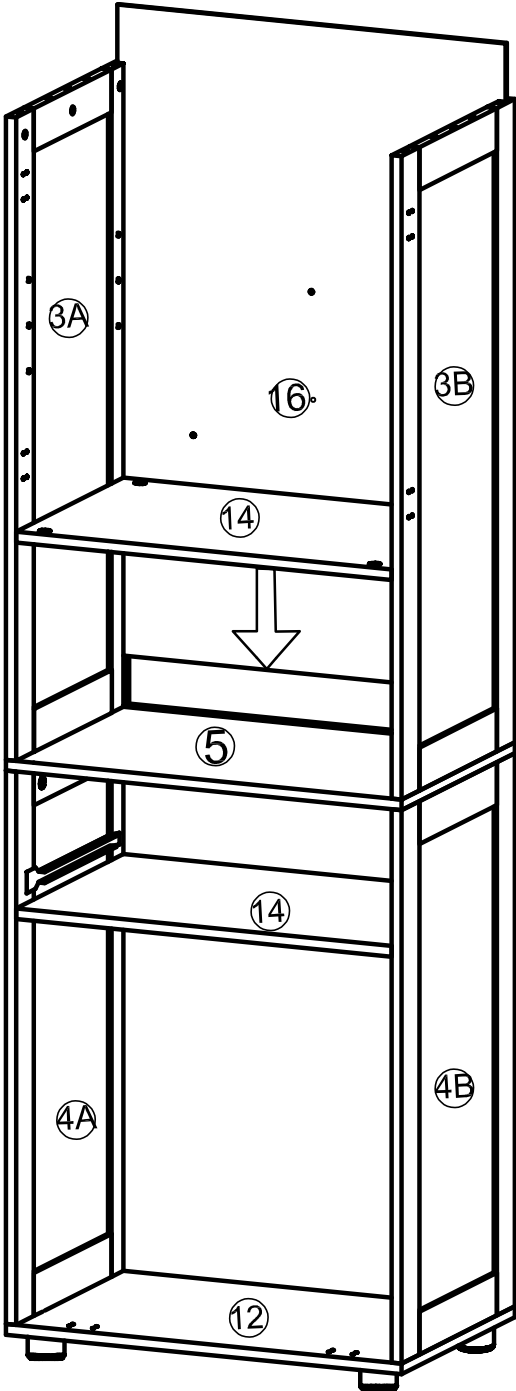


STEP 8: Following below illustration:

F 	H 
4pcs	4pcs

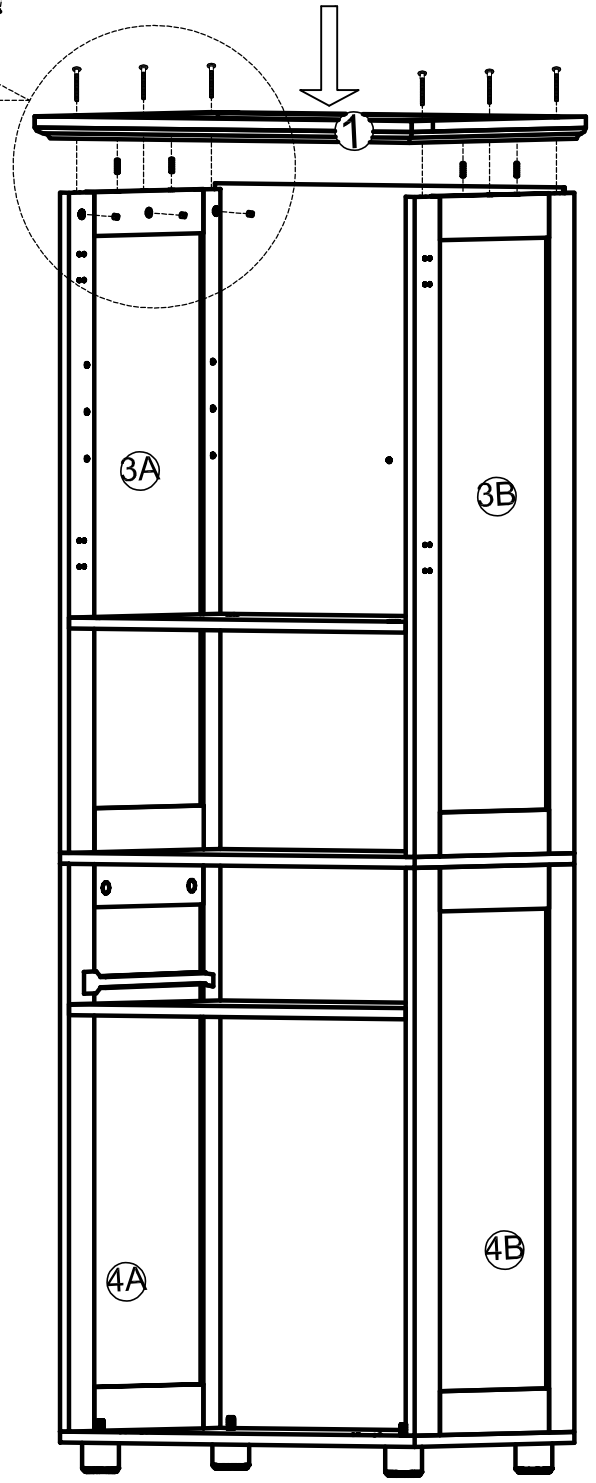
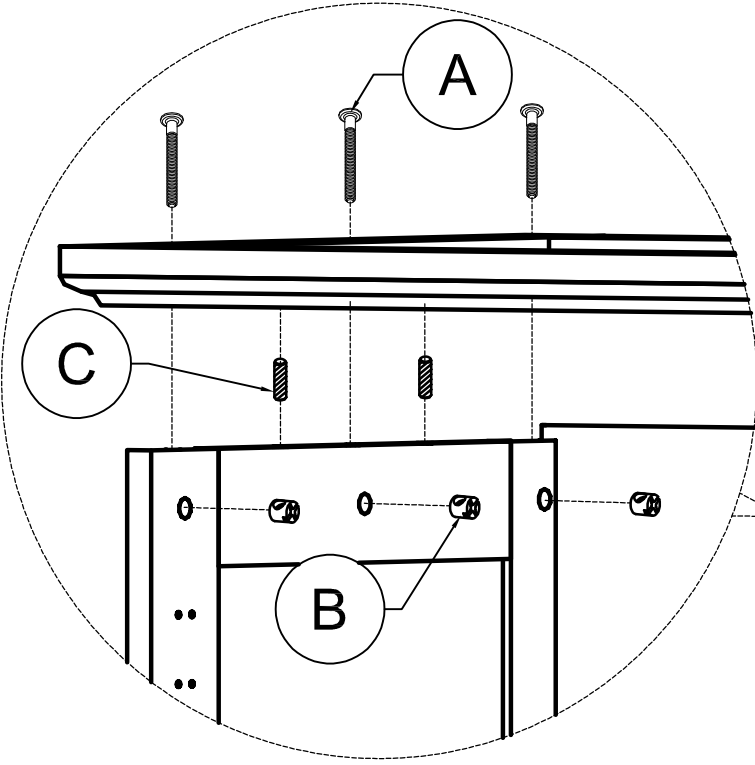


STEP 9: Following below illustration:


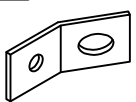




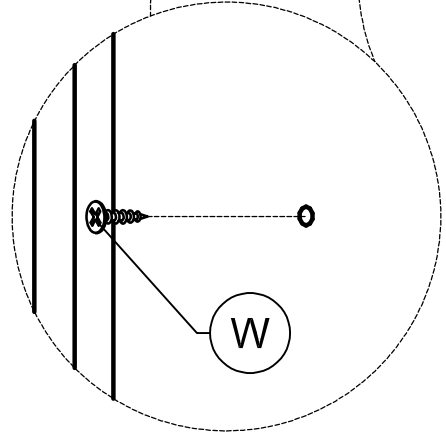
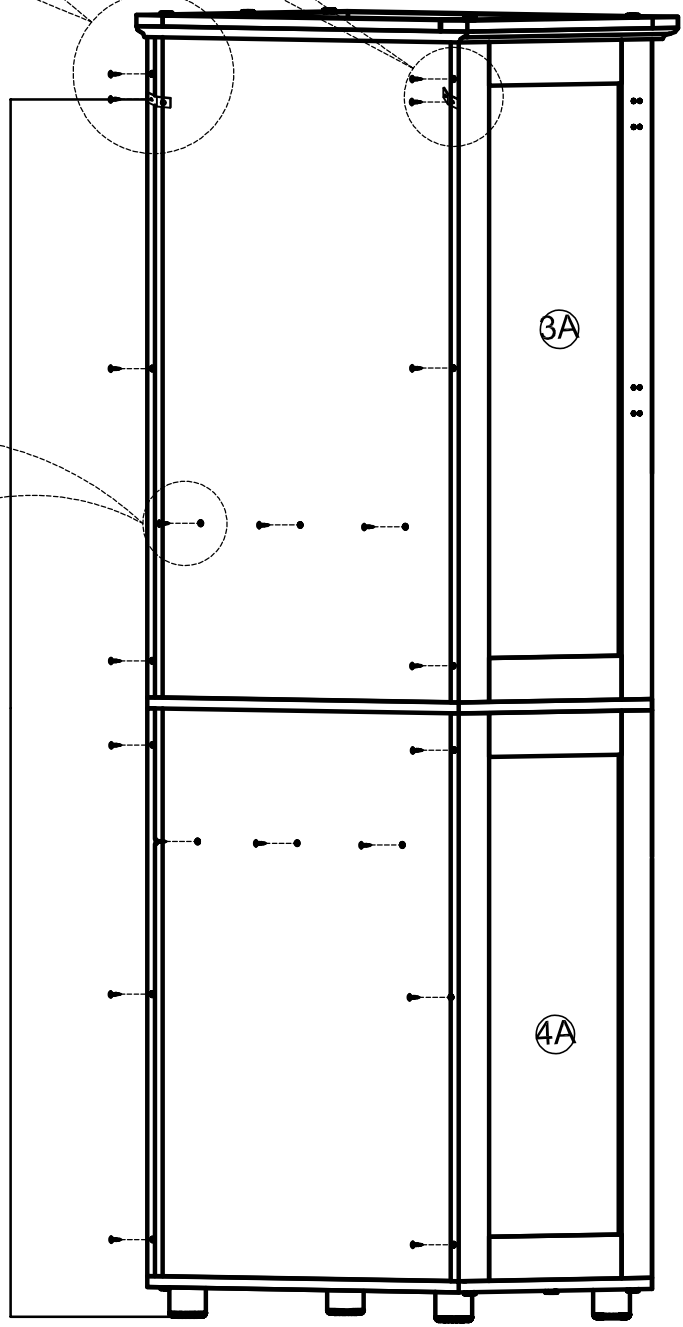
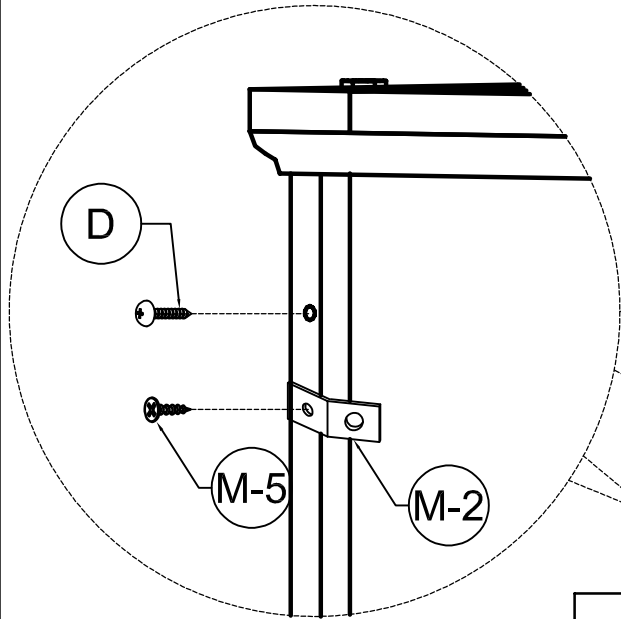
STEP 10: Following below illustration:

A	C	B
6pcs	4pcs	6pcs



STEP 11: Following below illustration:

W	M-2	M-5	D
			
6pcs	2pcs	2pcs	12pcs

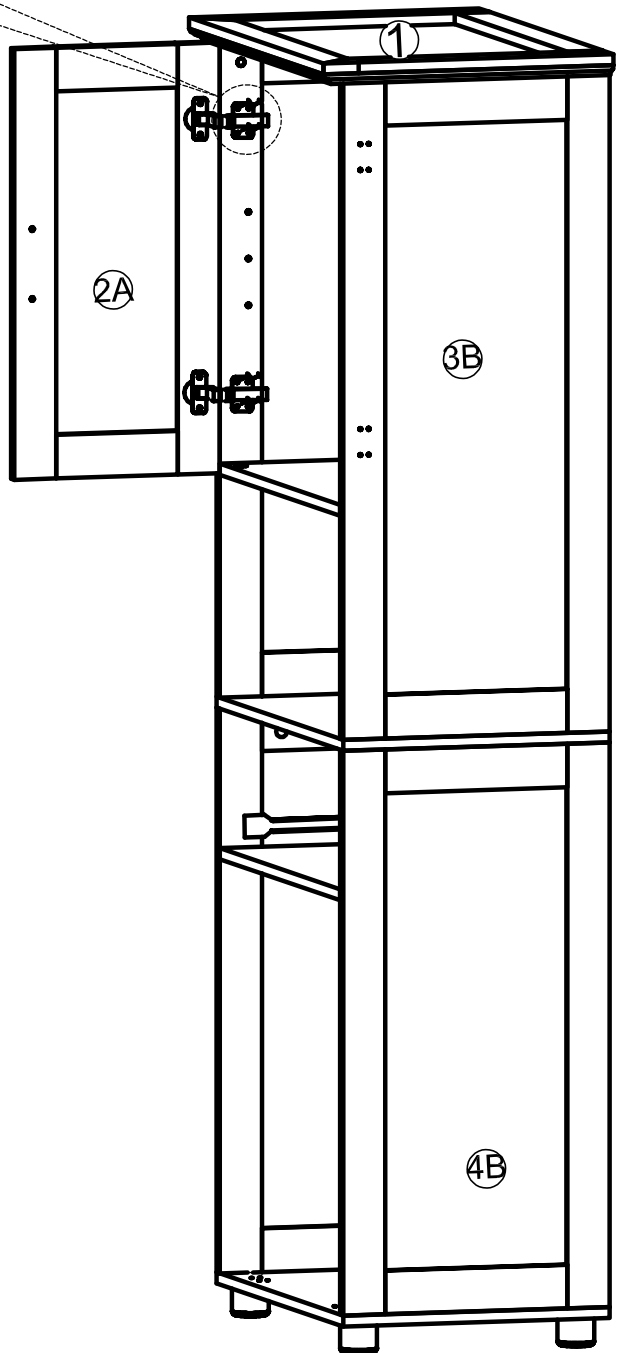
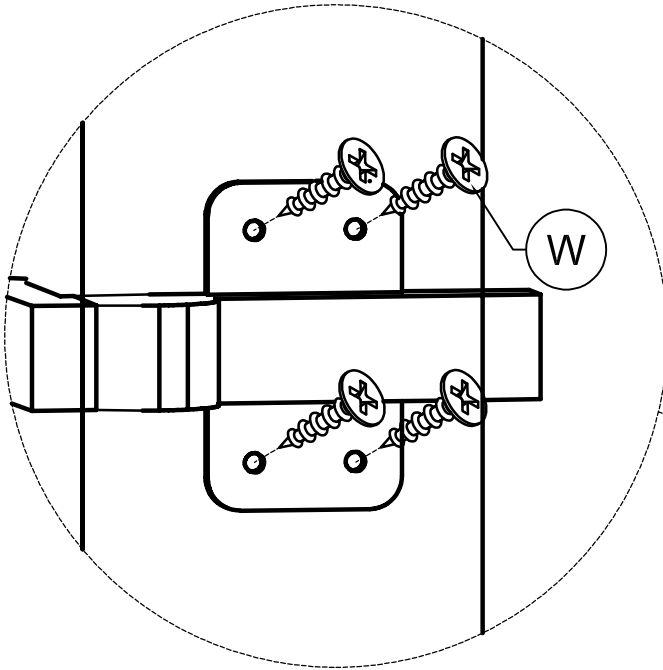


STEP 12: Following below illustration:



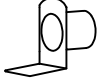
W

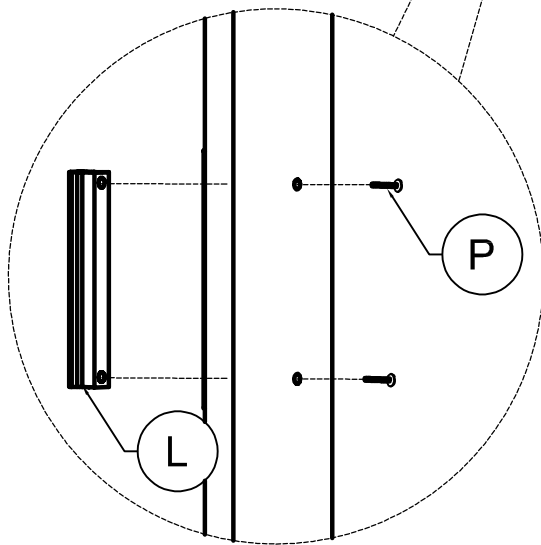
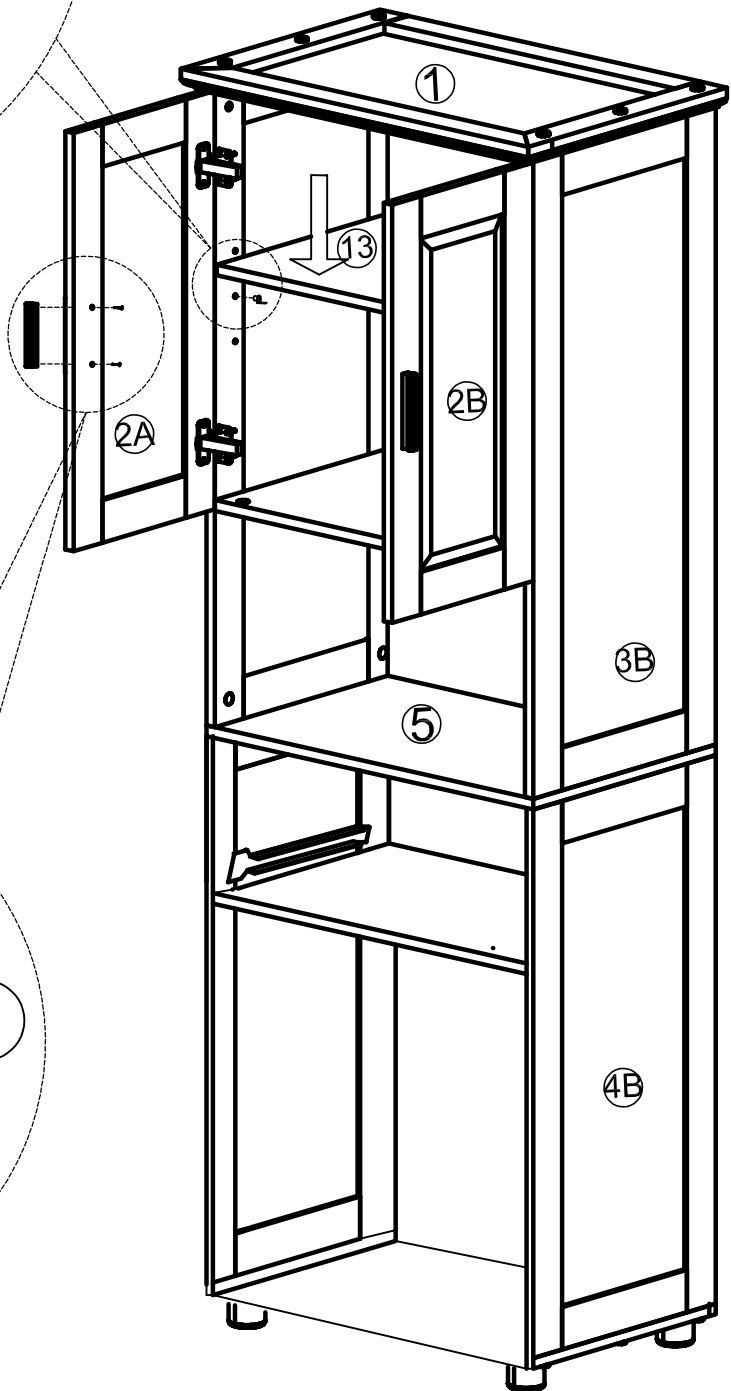
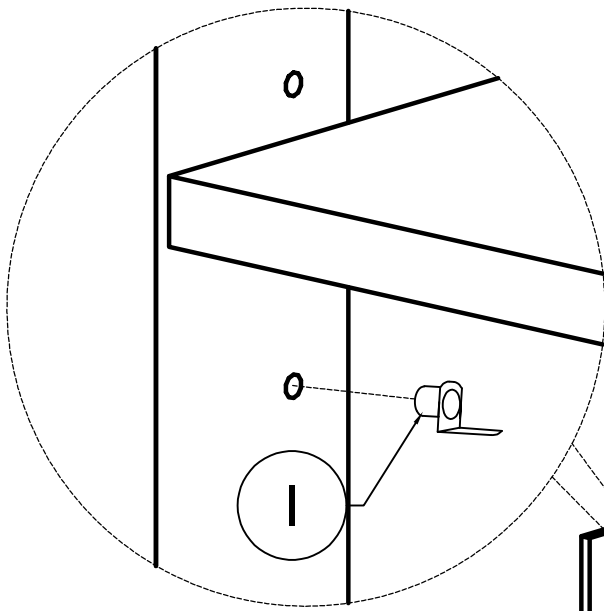


16pcs



STEP 13: Following below illustration:

P	L	I
		
4pcs	2pcs	4pcs



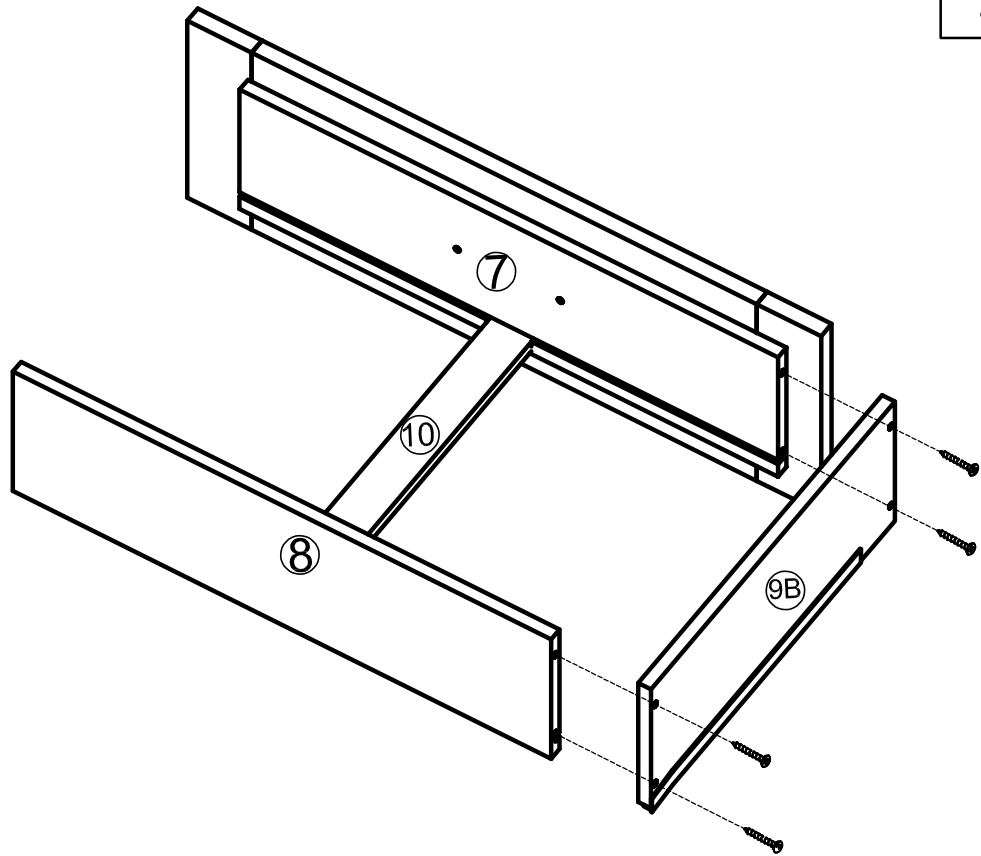
STEP 14:

Following below illustration:

Z

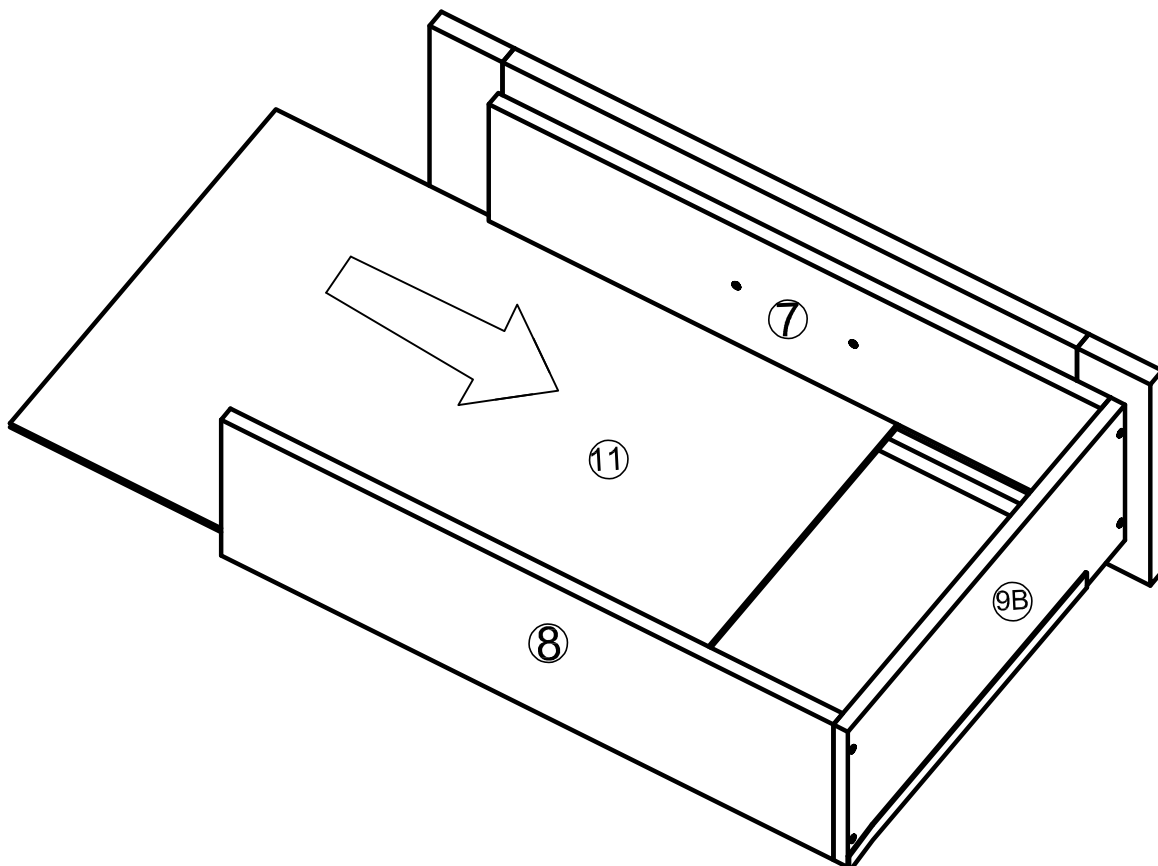


4pcs






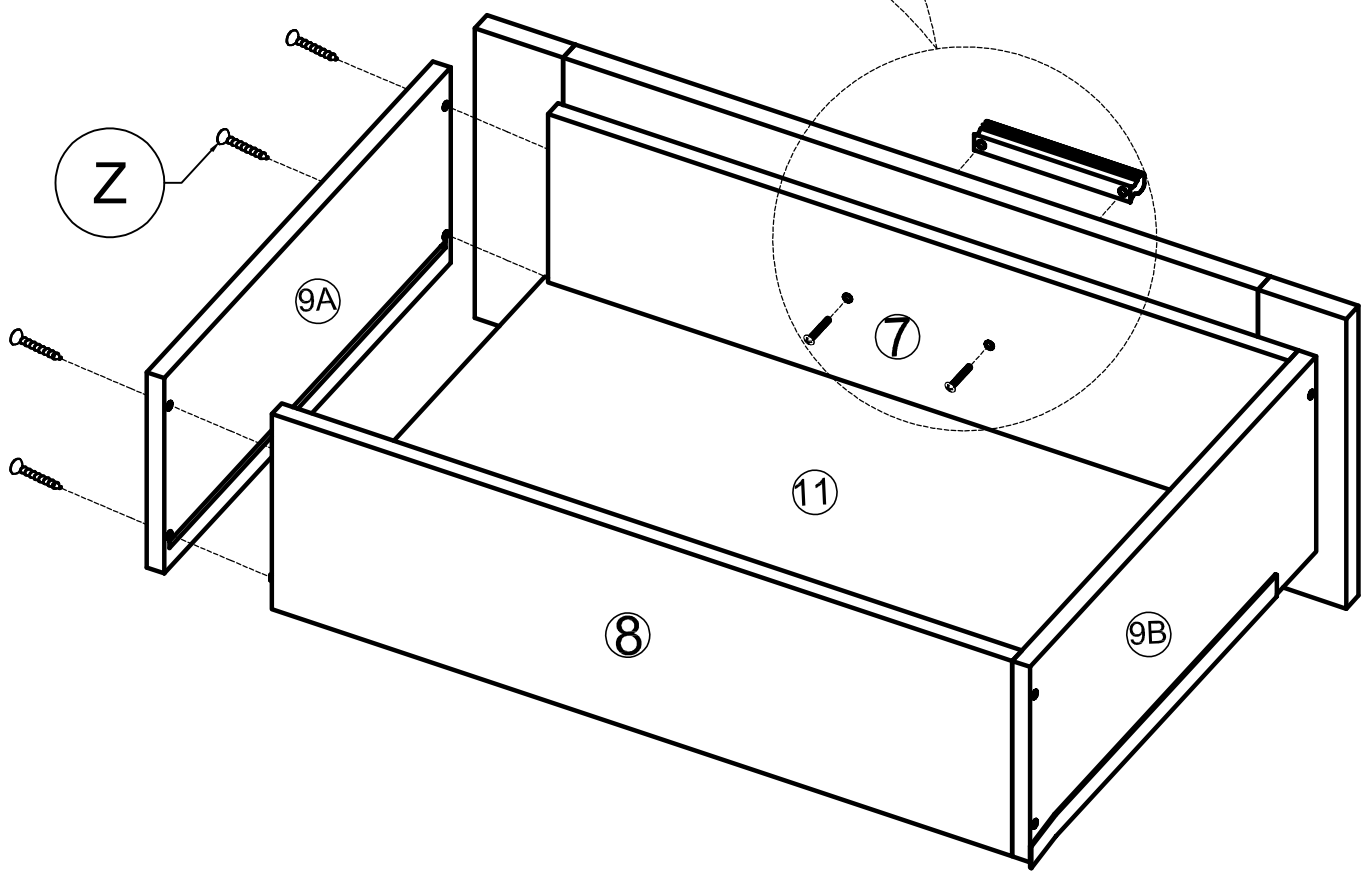
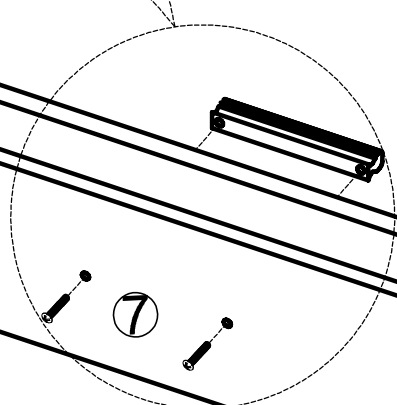
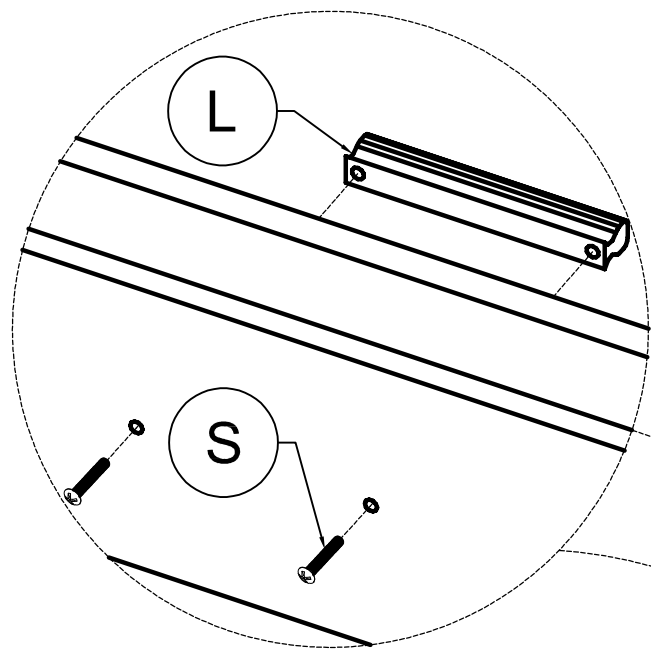
STEP 15:

Following below illustration:



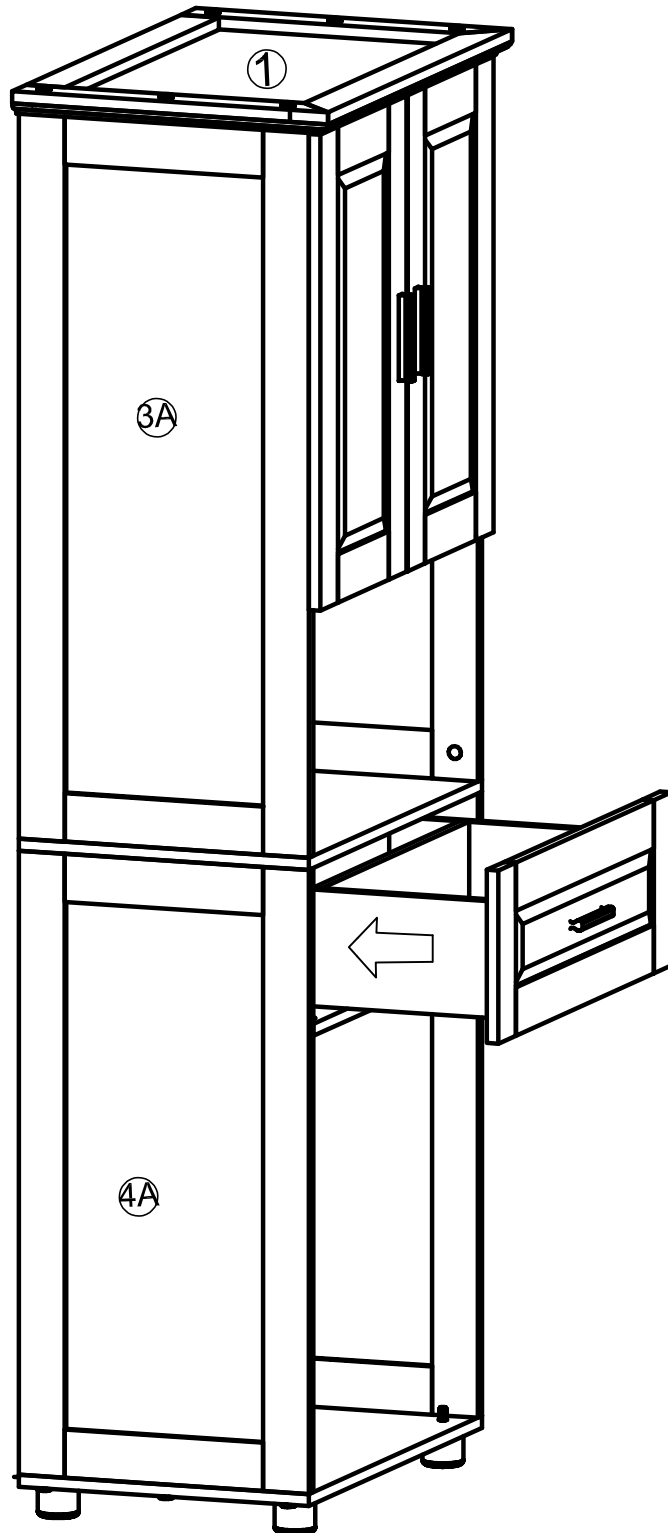
STEP 16: Following below illustration:

S	L	Z
		
2pcs	1pcs	4pcs




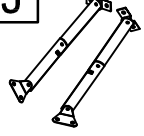
STEP 17:

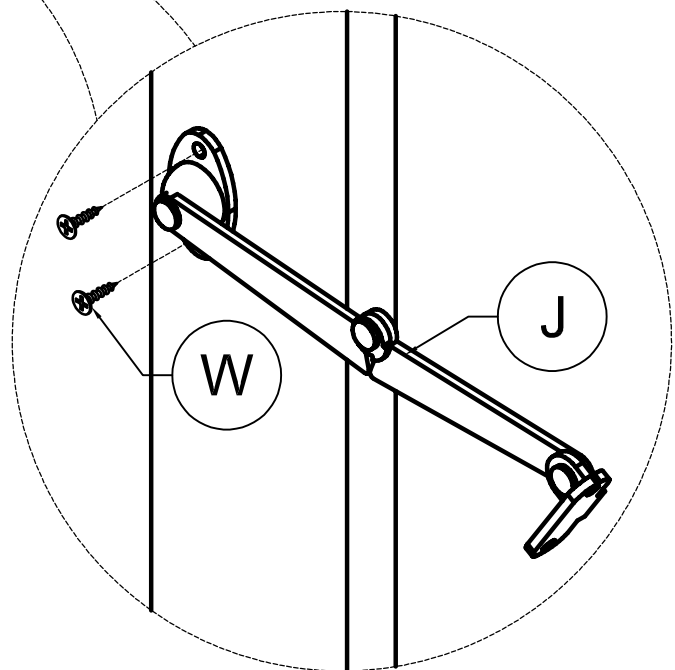
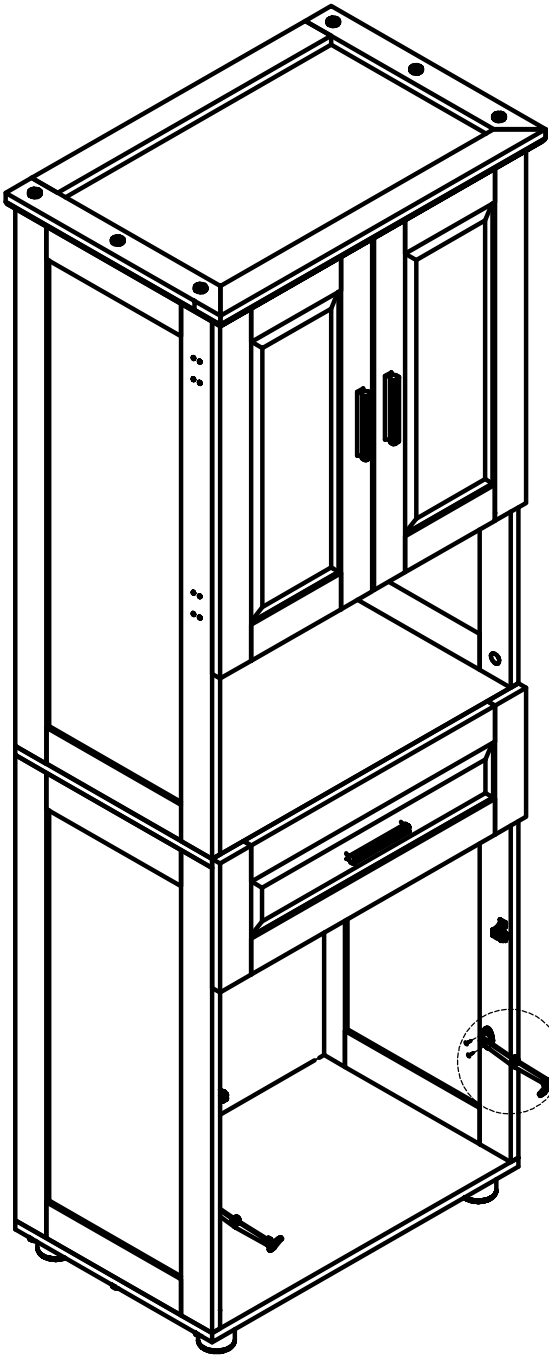
Following below illustration:



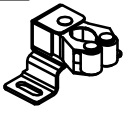

STEP 18:

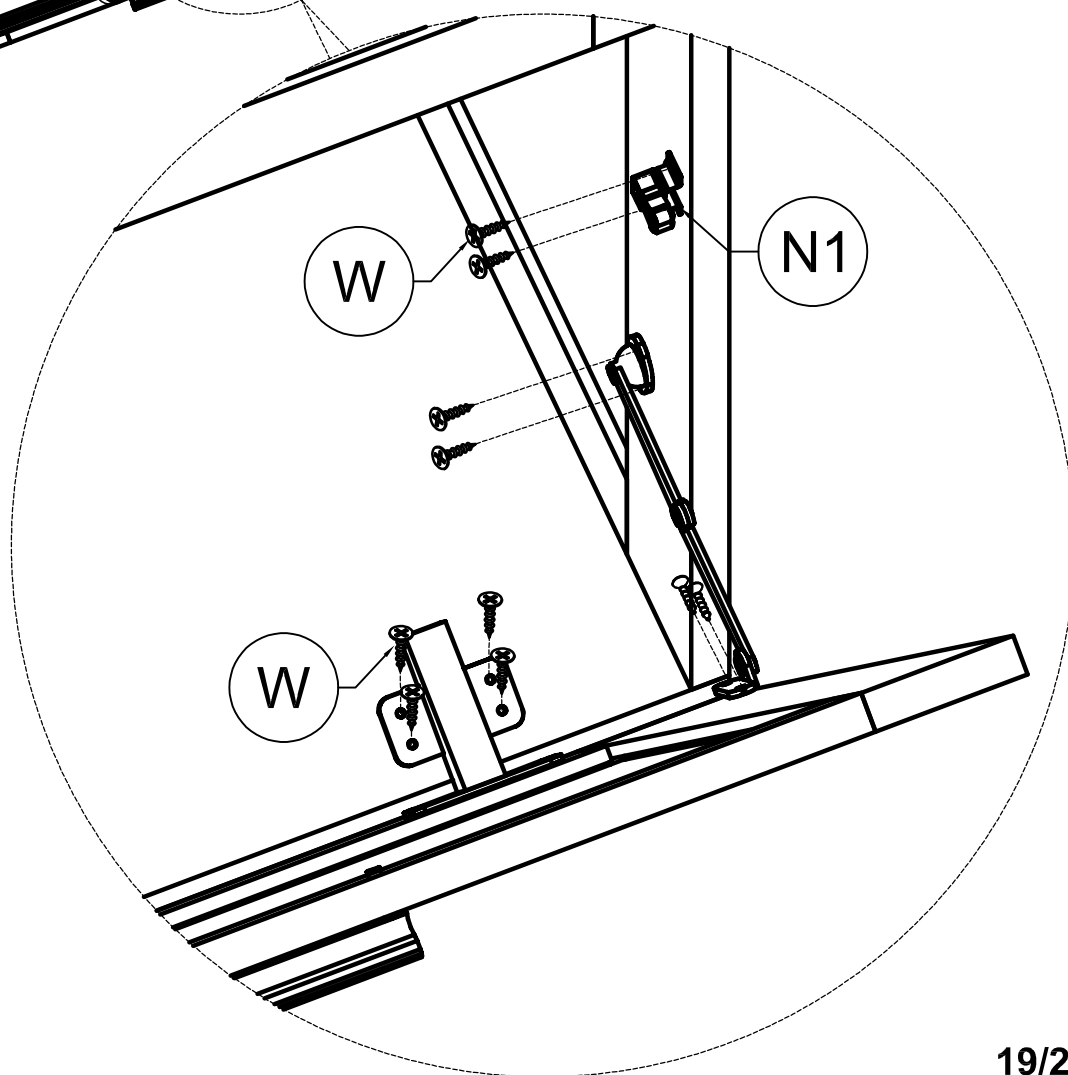
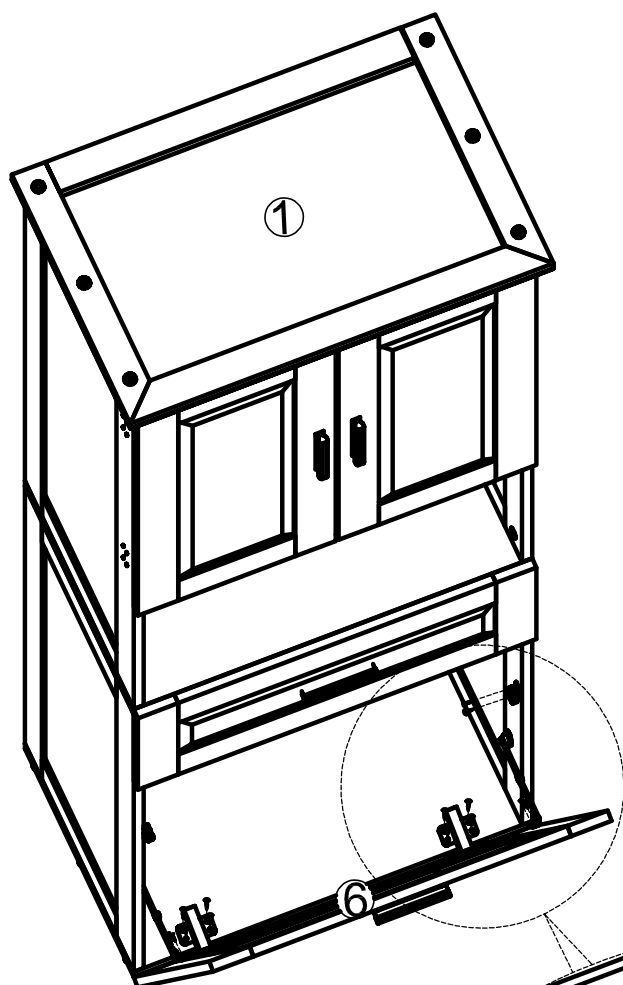
Following below illustration:

W 	J 
4pcs	1 set



STEP 19: Following below illustration:

N.1	W
	
2pcs	16pcs

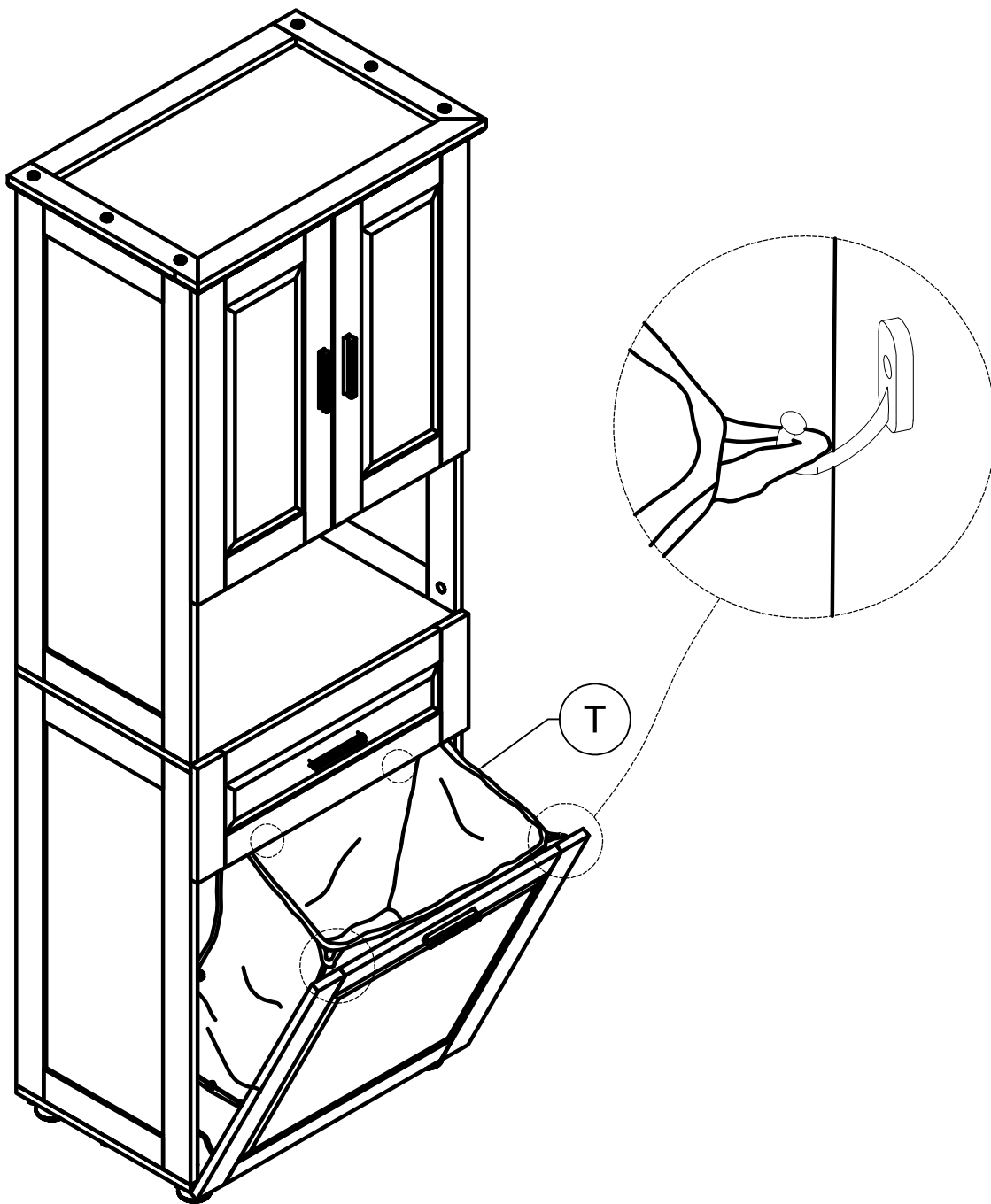


STEP 20: Following below illustration:

T

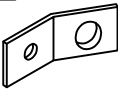




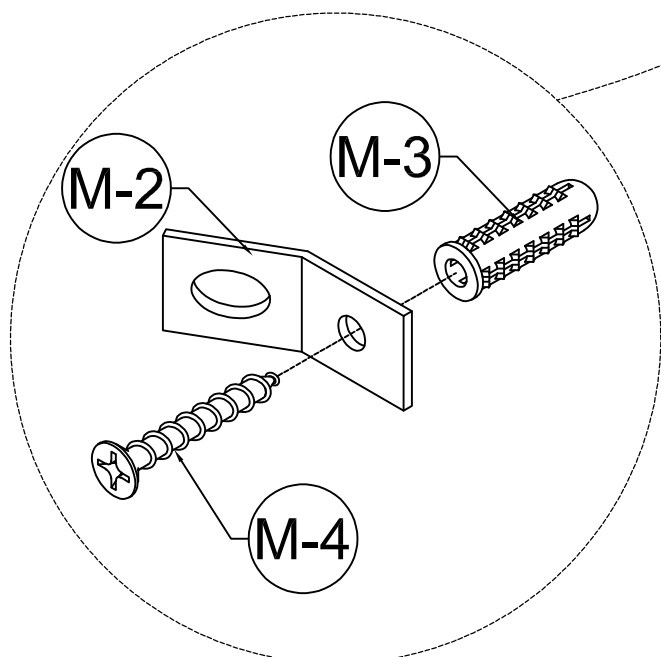
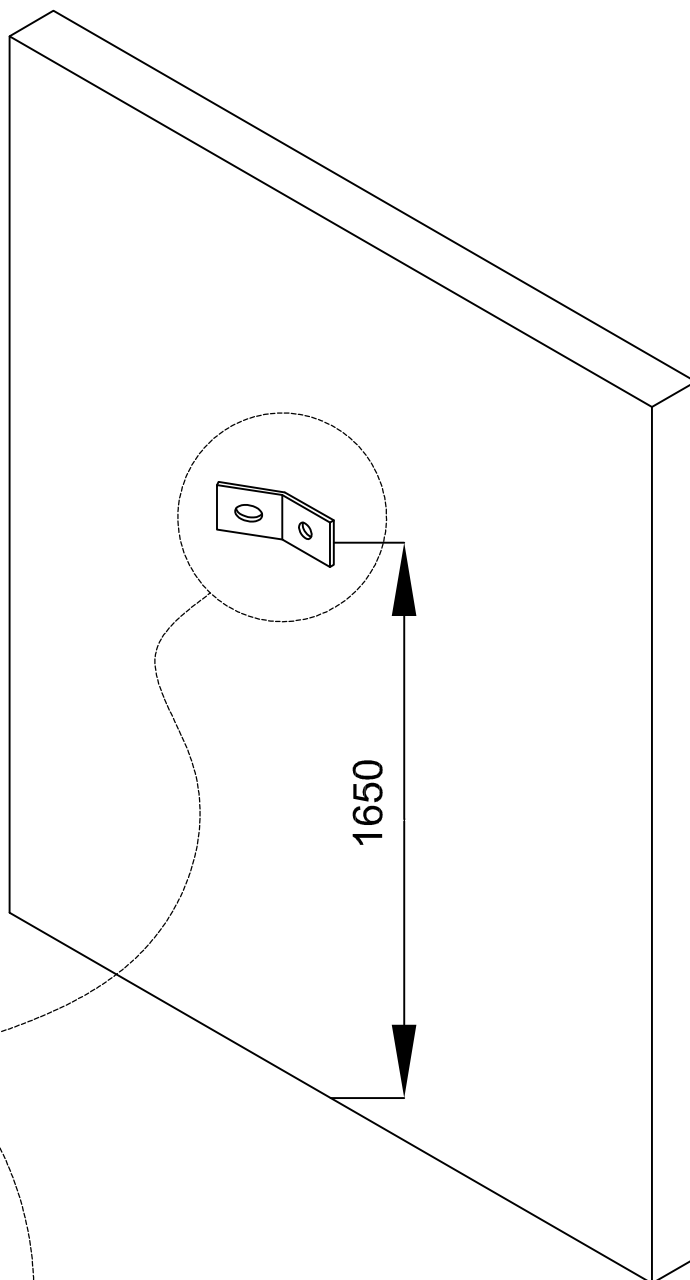
1pc



STEP 21:

Following below illustration:

M-2	M-4	M-3
		
2pcs	2pcs	2pcs

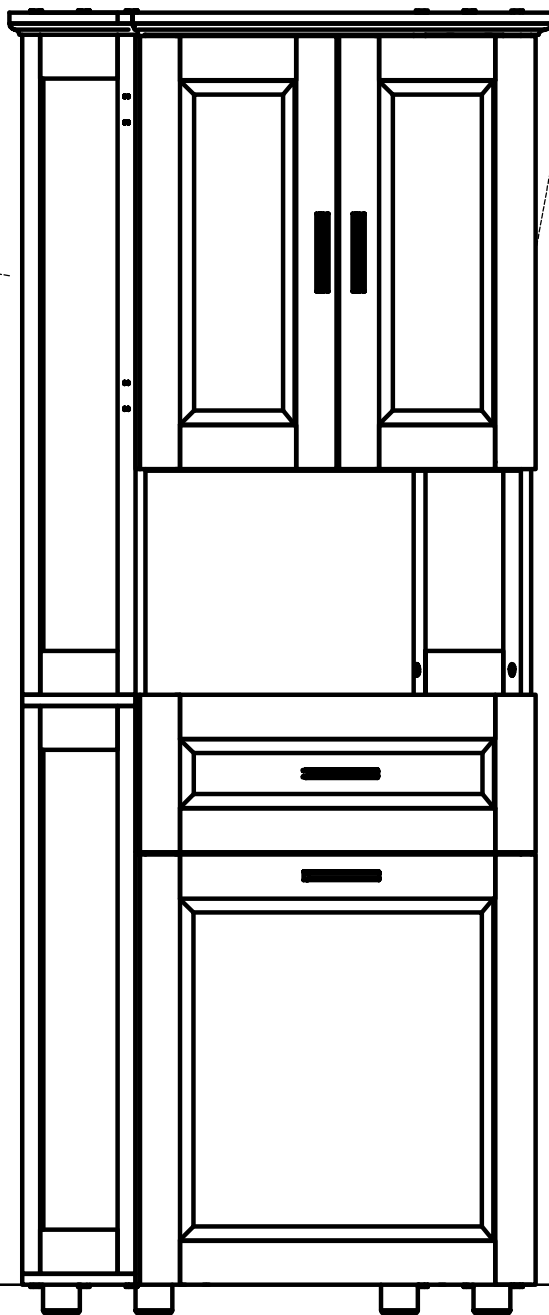
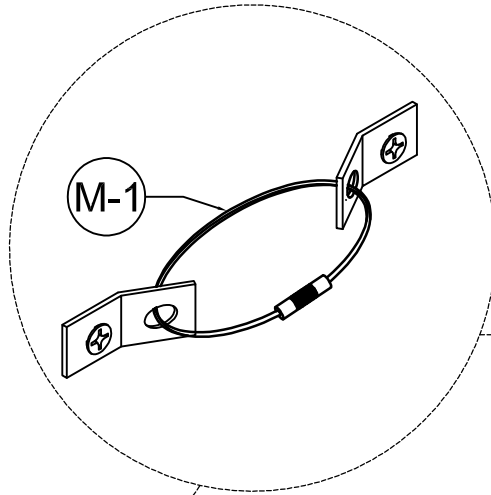


STEP 22: Following below illustration:

M-1



2pcs



FINISH

