












# Assembly Instructions

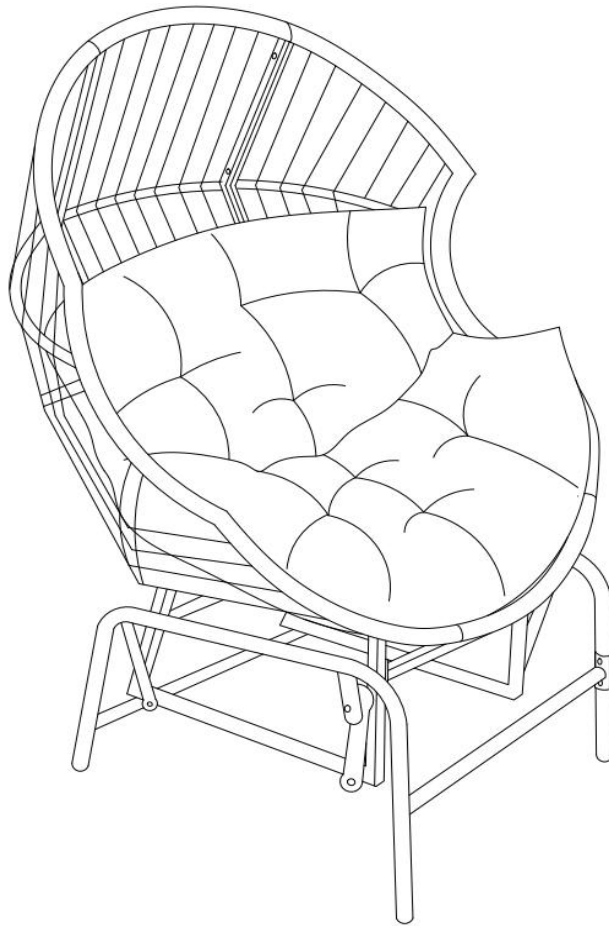
**Caution : You must read this before you proceed**

## Care & Maintenance

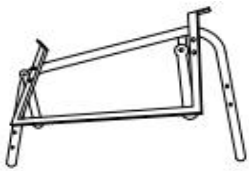
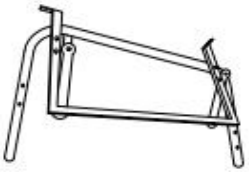

- ⊘  ● Not for commercial use. For residential use only.
- ⊘  ● Prolonged exposure to rain may cause rusting which can stain floors.
- ⊘  ● Do not put hot items directly on furniture surface.
- ⊘  ● Do not clean furniture with harsh cleansers or polish.
- ✓  ● To obtain the longest lifespan of your outdoor products, minimizing exposure to direct sunlight is recommended.
- ⊘  ● Children should not climb or jump on the furniture.
- ⊘  ● Do not write on furniture without a padded barrier to protect the surface.
- ✓  ● To obtain the longest lifespan of your outdoor products, avoid extended and lengthy exposure to rain, snow, and direct sunshine. Whenever possible cover the product and /or place under patio or awnings.
- ⊘  ● Stains may be removed with mild soap solution and damp cloth.
- ✓  ● Keep away from sources of ignition.
- ✓  ● Dust and pick-up spills using a clean, non-colored, lint-free cloth.






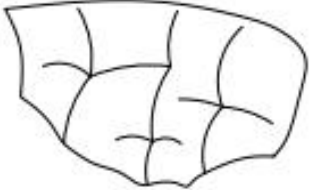
**Please look in rocking chair for hardware packs and legs.  
Sets often ship in multiple boxes and may arrive a day or two apart.**

# Rocking Chair











## Parts List

Label	Picture	Description	QTY
A		RIGHT SUPPORT LEGS	1
B		LEFT SUPPORT LEGS	1
C		SQUARE CONNECT POLE	2

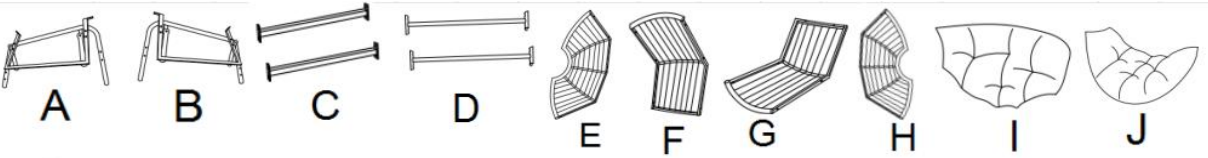
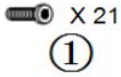
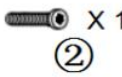

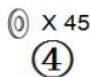
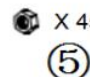


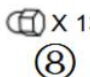
D		ROUND CONNECT POLE	2
E		LEFT BASKET PART	1
F		MIDDLE-BACK PART	1
G		MIDDLE-SEAT PART	1
H		RIGHT BASKET PART	1
I		BACK CUSHION	1

J		SEAT CUSHION	1
---	---	--------------	---

## Hardware

Label	Picture	Description	QTY
①		Bolt (M6*15mm)	21
②		Bolt (M6*45mm)	11
③		Bolt (M6*50mm)	3
④		Washer(M6)	45
⑤		Nut (M6*10)	13
⑥		Allen Wrench (S4)	1
⑦		Spanner (M10)	1
⑧		Nut Cap	13

## Assembly Preparation

Before Beginning Assembly:															
															



- Read instructions, cover to cover-



- Have 2 adults on hand for assembly-



- Do not assemble on flooring or carpet-



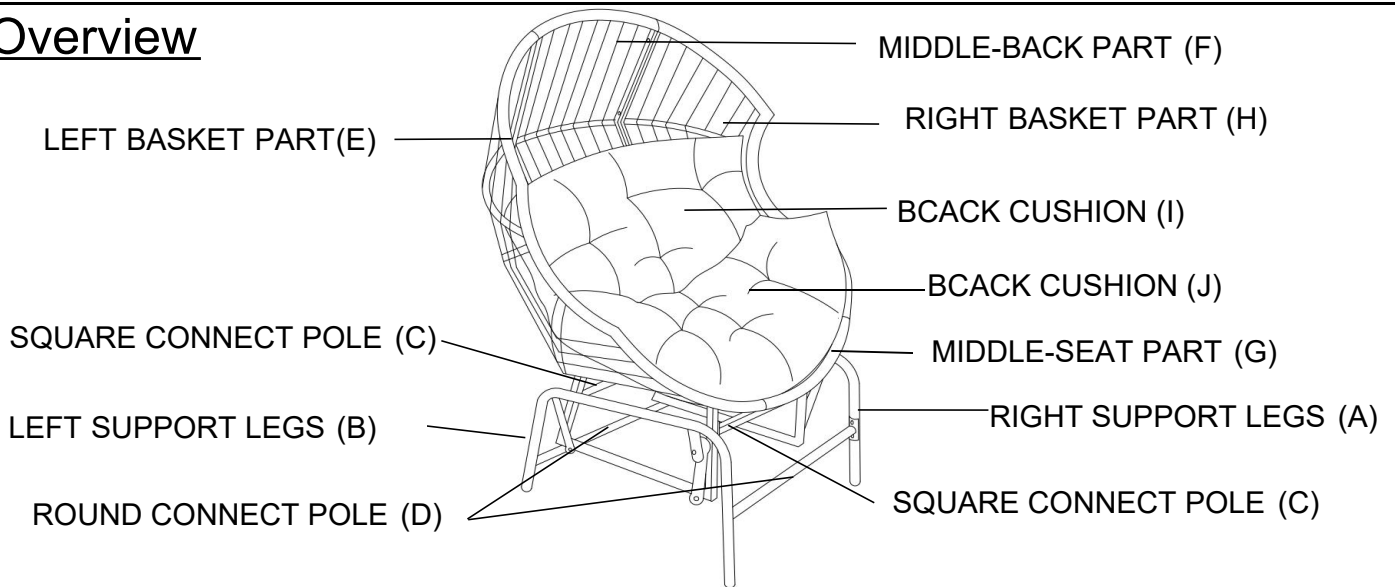
- Assemble on a clean non-marring surface (packing foam)-



- Save all packaging until finished-

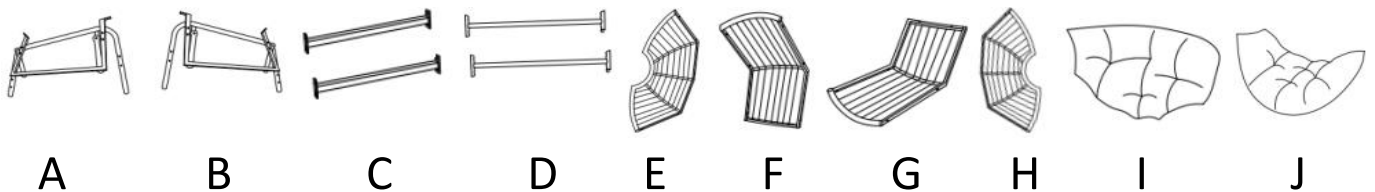
## Assembly Steps

### Overview



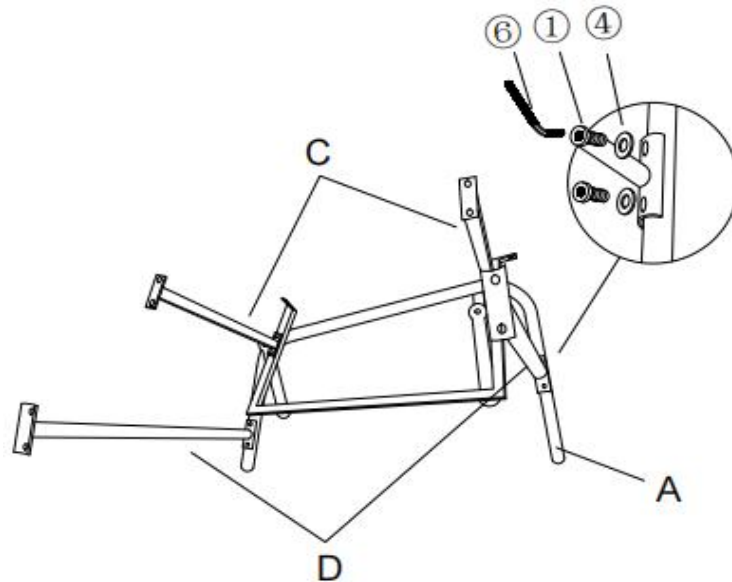
This Rocking Chair has multiple parts and may require up to 30 minutes to assemble. To give you an overview of the various parts, the above picture is to help you put the various parts into perspective. Please read through the instructions below to familiarise yourself with the parts and steps before assembly.

### Step 1



Unpack and place all parts on a clean, soft surface.

## Step 2

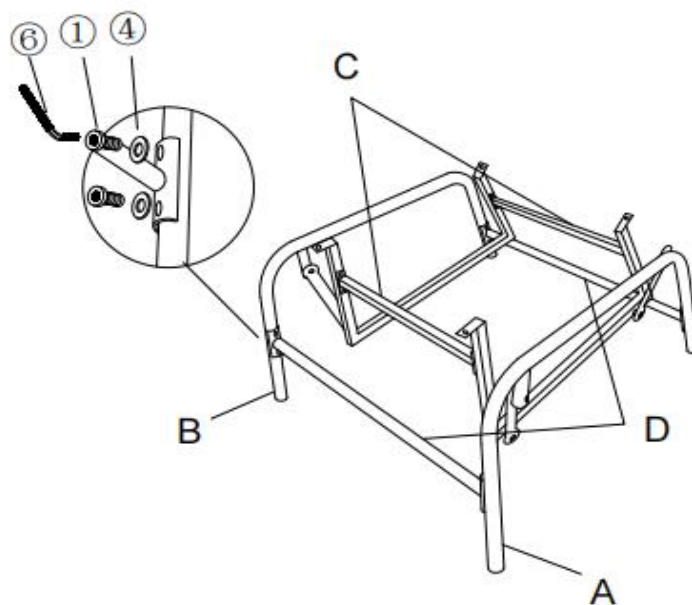


Place the Right Support Legs(A) and Square Connect Poles(C) and Round Connect Poles(D) on a clean, non-marring surface.

Attach the Right Support Legs(A) to Square Connect Poles(C) and Round Connect Poles(D) using Washer(④), and Bolts(①) with Allen Wrench(⑥).

Fully tighten the Bolts.

## Step 3

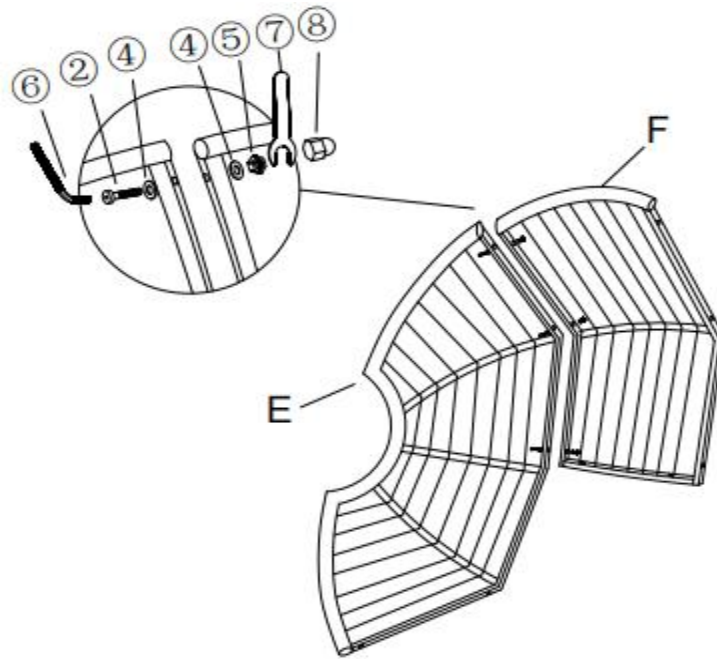


Place the Left Support Legs(B) on a clean, non-marring surface.

Attach the Square Connect Poles(C) and Round Connect Poles(D) to the Left Support Legs (B) using Washer(④), and Bolts(①) with Allen Wrench(⑥).

Fully tighten the Bolts.

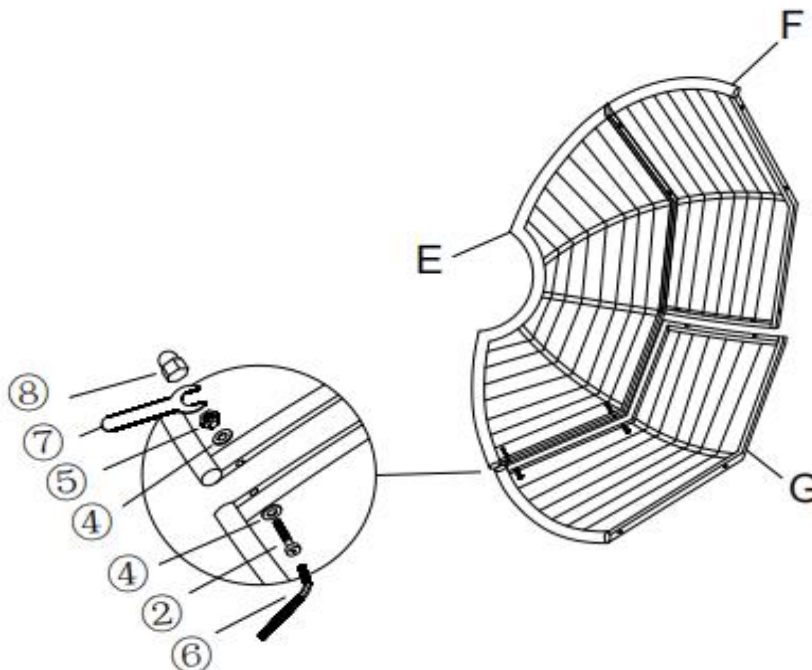
## Step 4



Place the Left Basket Part(E) and Middle Back Part(F) on a clean, non-marring surface. Attach the Left Basket Part(E) to Middle Back Part(F) using Washer(④), and Bolts(②), and nuts(⑤) with Allen Wrench(⑥) and Spanner(⑦)

Fully tighten the Bolts and put the Nut Caps(⑧)

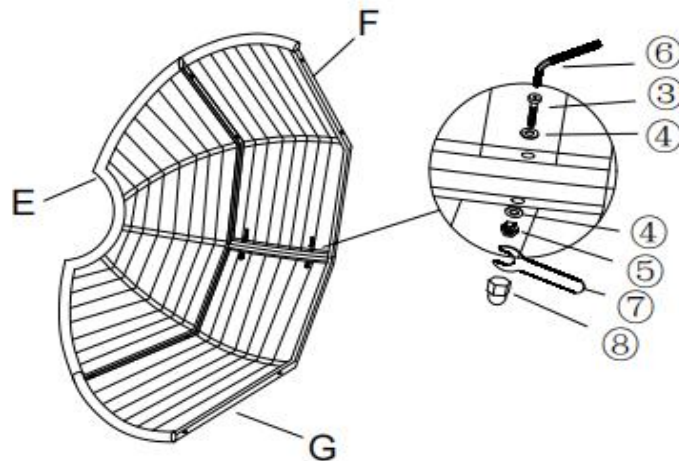
## Step 5



Attach the Middle Seat Part(G) to Left Basket Part(E) using Washer(④), and Bolts(②), and Nuts(⑤) with Allen Wrench(⑥) and Spanner(⑦)

Fully tighten the Bolts and put the Nut Caps(⑧)

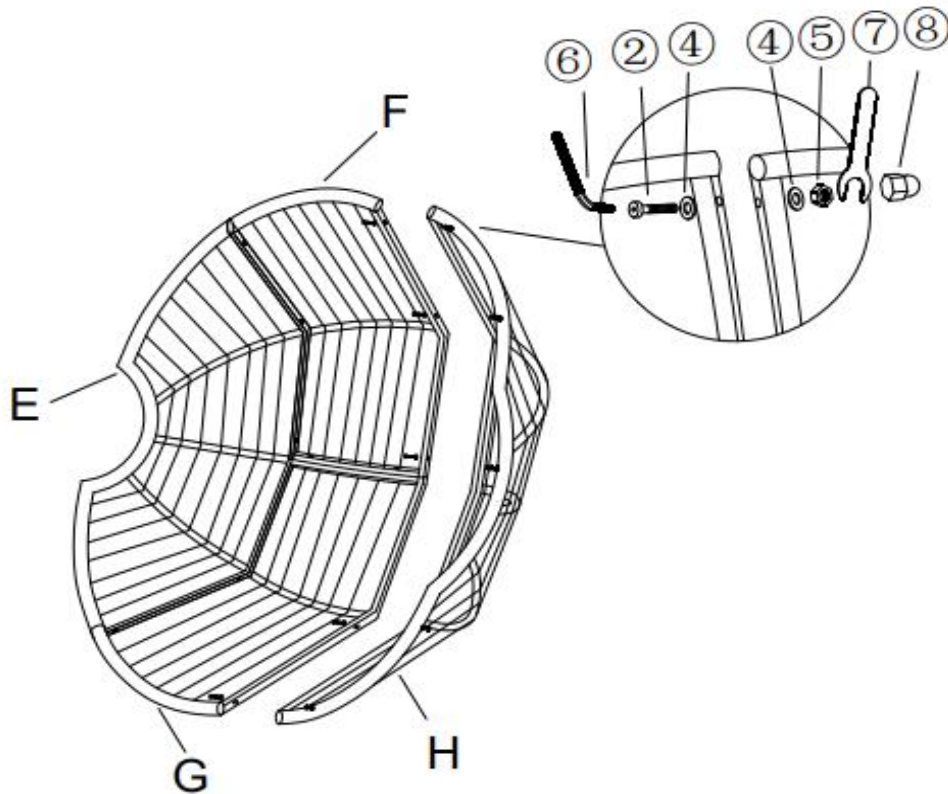
## Step 6



Attach the Middle Seat Part (G) to Middle Back Part(F) using Washer(④), and Bolts(②), and nuts(⑤) with Allen Wrench(⑥) and Spanner(⑦)

Fully tighten the Bolts and put Nut Caps(⑧)

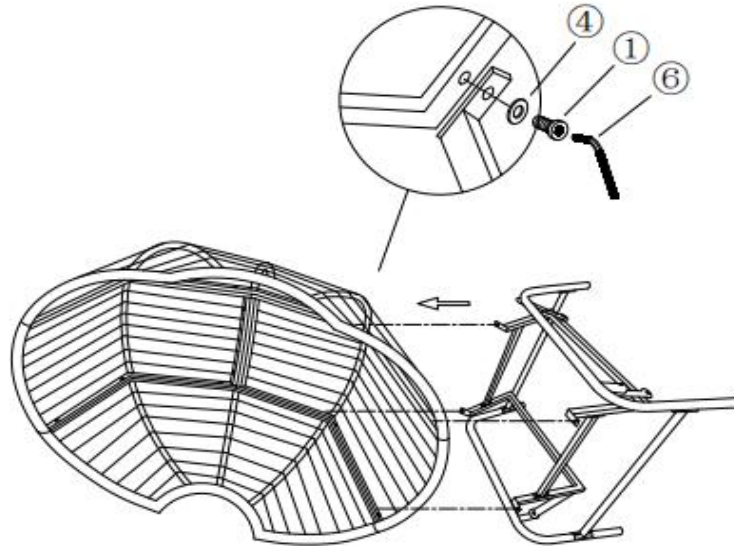
## Step 7



Attach the Right Basket Part(H) to Middle Back Part(F) and Middle Seat Part(G) using Washer(④), and Bolts(②), and nuts(⑤) with Allen Wrench(⑥) and Spanner(⑦)

Fully tighten the Bolts and put Nut Caps(⑧)

## Step 8



Attach the Chair to the Chair Base using Washer(④), and Bolts(①) with Allen Wrench(⑥).

Fully tighten the Bolts.

## Step 9



Put Back Cushion(I) and Seat Cushion(J) to the Chair.

Your Chair is read for use.

This Chair can only be used on a flat, leveler surface.