

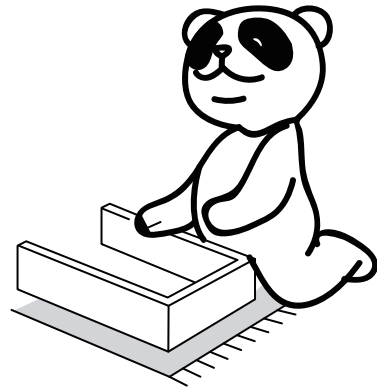
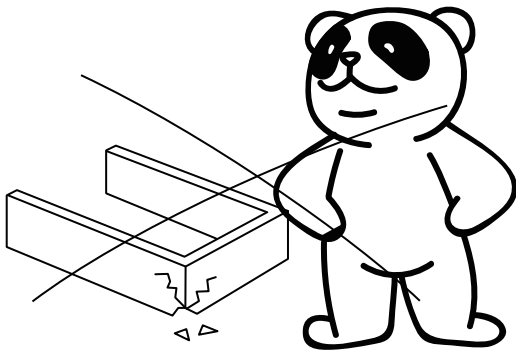
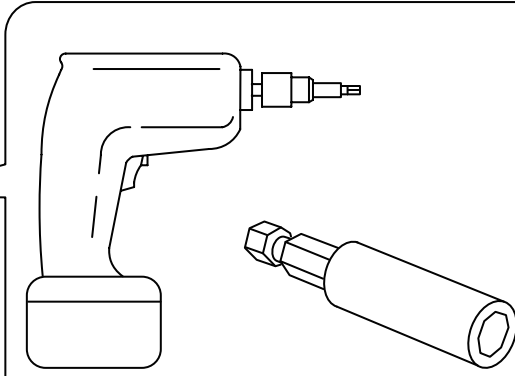
If the wall nails are not locked, there is a risk of the bed overturning

CAUTION:When tightening the screws,tighten sequentially.  
Do not tighten any screws fully and then towards the next one.  
When every part is OK,then tighten all the screws.

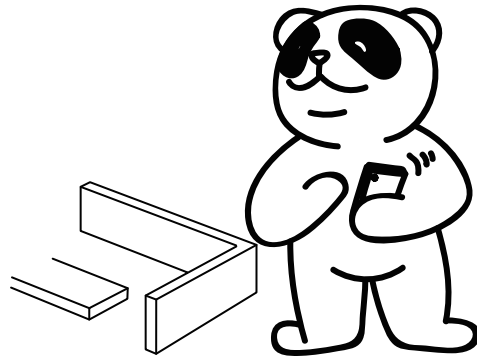
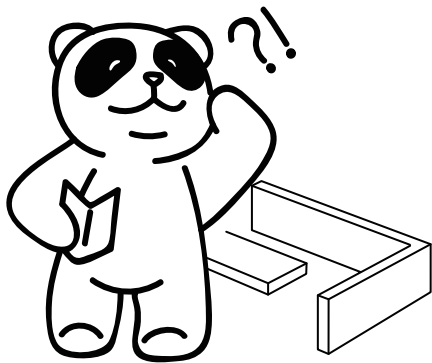
AJ-DJ505032



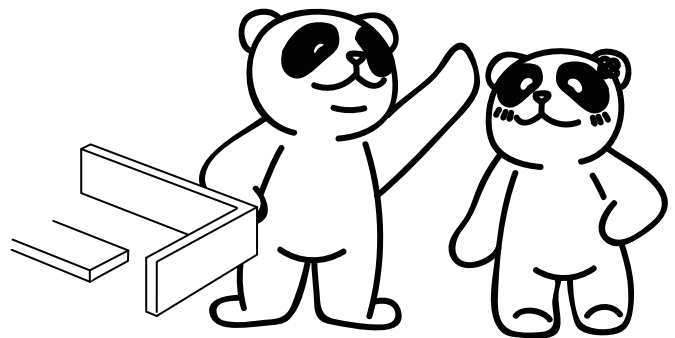
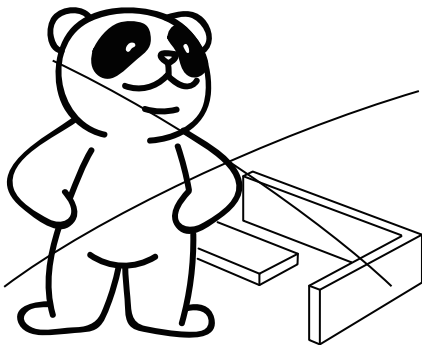
Version : 1.0



**Violent installation is prohibited**



**Please call if you need help**



**Multi-person cooperation is recommended**

# Assembly Instruction



1

x1



2

x1



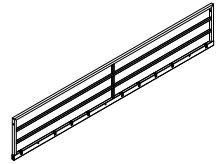
3

x1



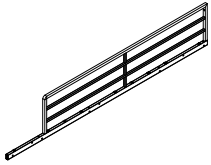
4

x1



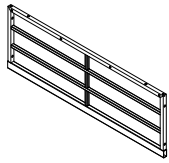
5

x1



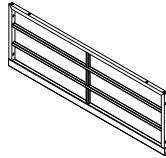
6

x1



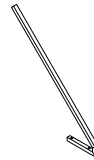
7

x1



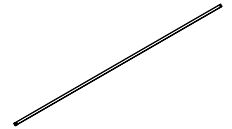
8

x1



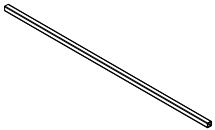
9

x4



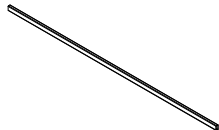
10

x1



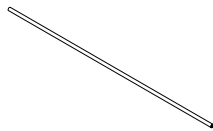
11

x3



12

x9



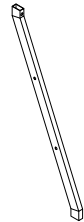
13

x2



14

x1



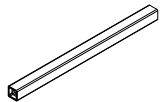
15

x1



16

x1



17

x2



18

x1



19

x1



20

x1



21

x1



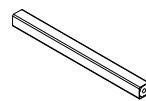
22

x1



23

x1



24

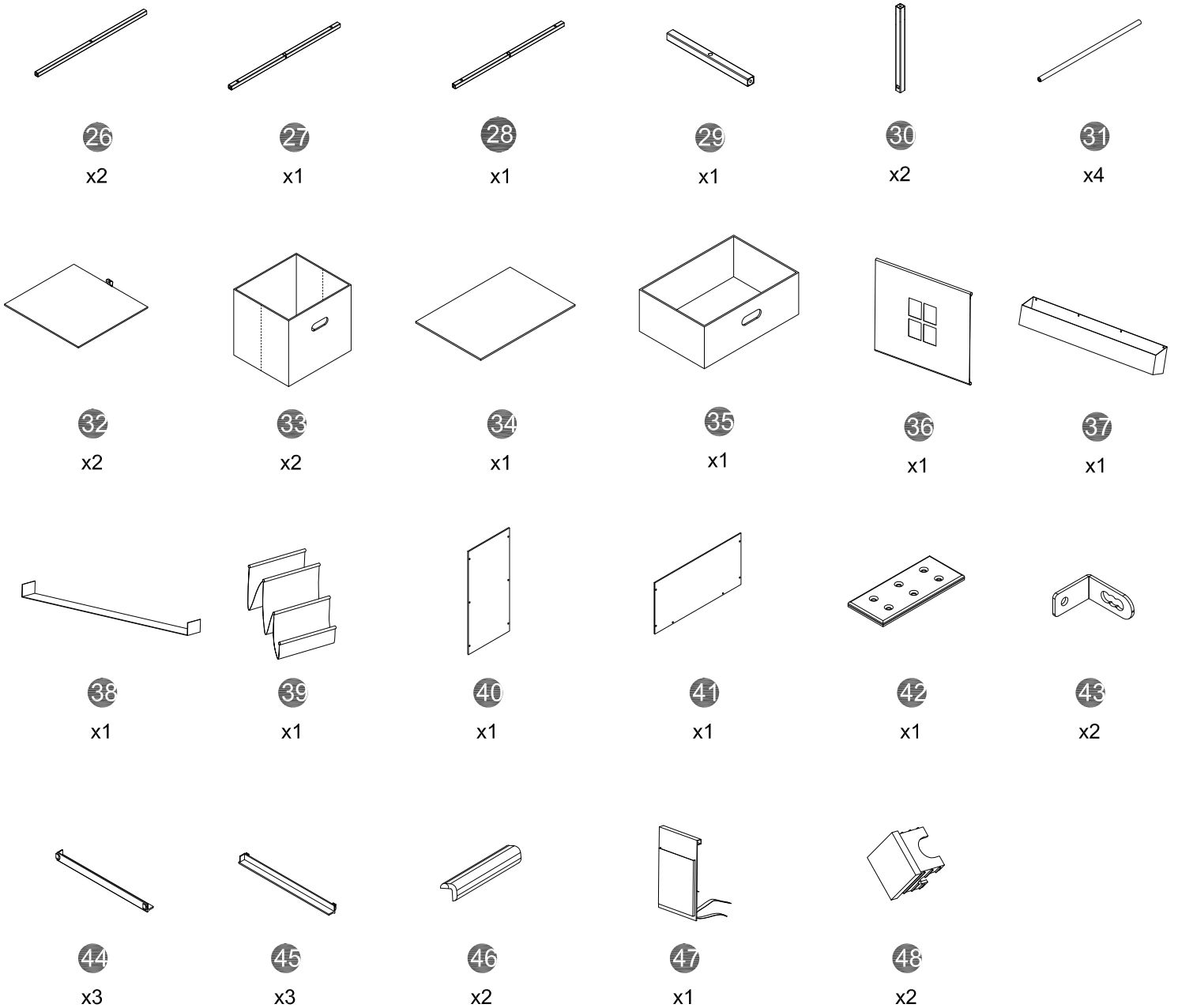
x4



25


x2


# Assembly Instruction




## Hardware parts 1


R124

  
A  
M8\*55  
x8

  
B  
M8\*35  
x11


  
C  
M6\*15  
x20

  
D  
M6\*55  
x8

  
E  
M6\*70  
x2

  
F  
M6\*35  
x48

  
G  
M6\*50  
x2

  
H  
S10,S13  
x1

  
I  
M6\*10  
x7

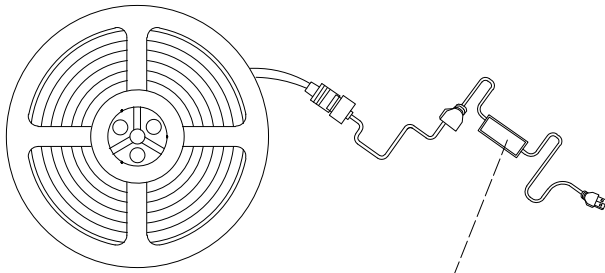
  
J  
S4  
x1

  
K  
M6  
x2

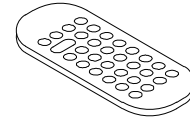
  
L  
M6\*28  
x5

# Assembly Instruction

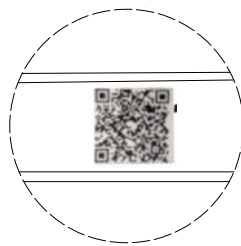
## LED light strip electronic accessories list



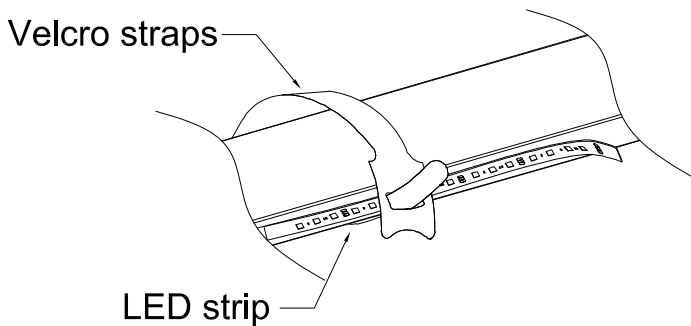
x1  
light bar



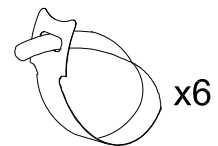
x1  
Remote control



There is a two-dimensional code at the position of the power line. Scanning can download the APP for the control light



When the wire is disturbed, place the wire inside the velcro and thread the small end of the strap through the strip hole in the head and gently pull it tight



x6  
Velcro straps

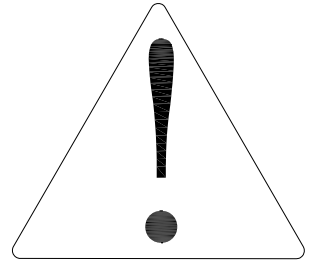
# Assembly Instruction

Note:

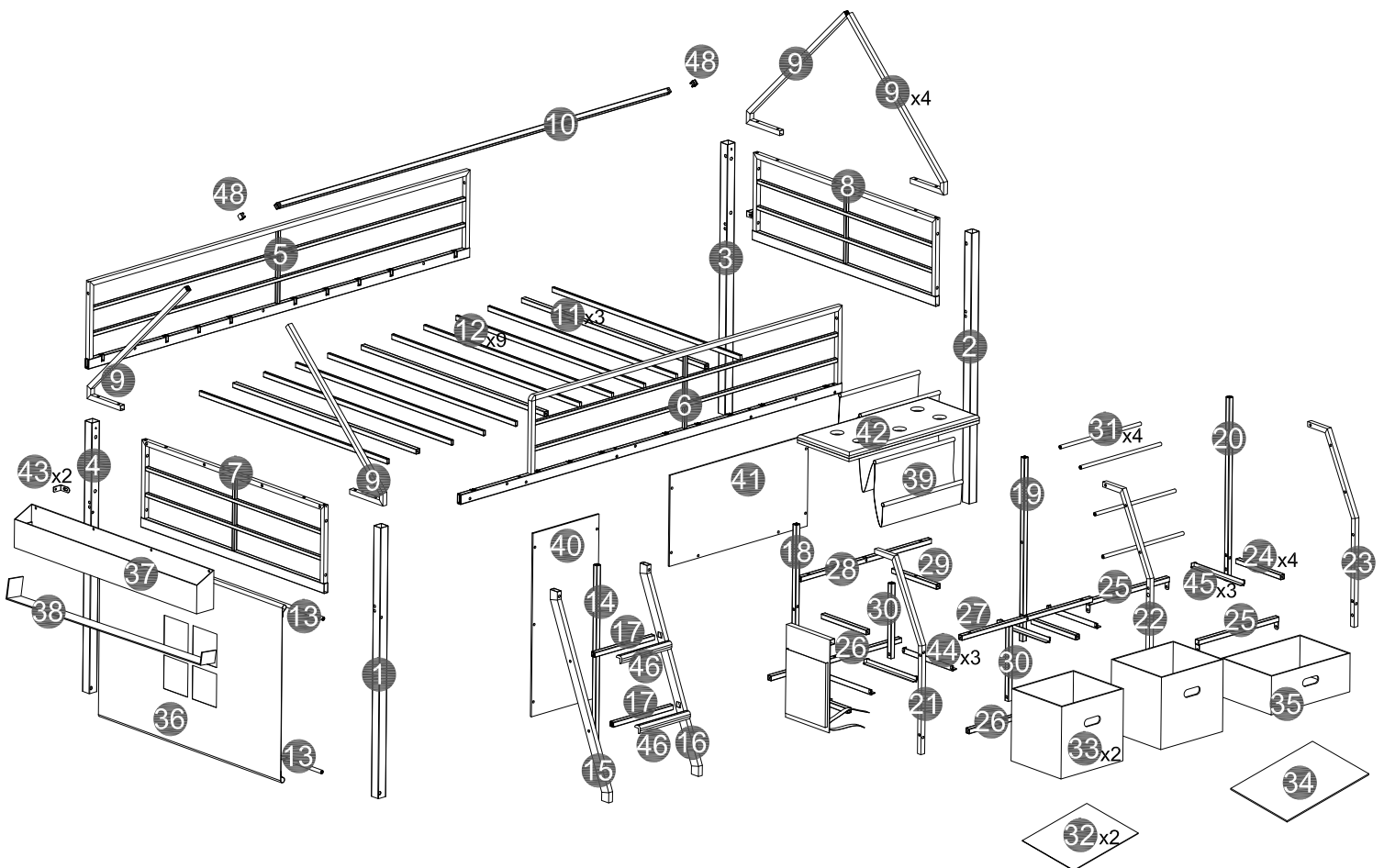
1. should be assembled on flat ground to keep balance.
2. Before completing the installation, do not tighten the screws.



It needs at least two people to install.



Before starting the assembly, you must read the whole manual and follow the instructions



# Assembly Instruction

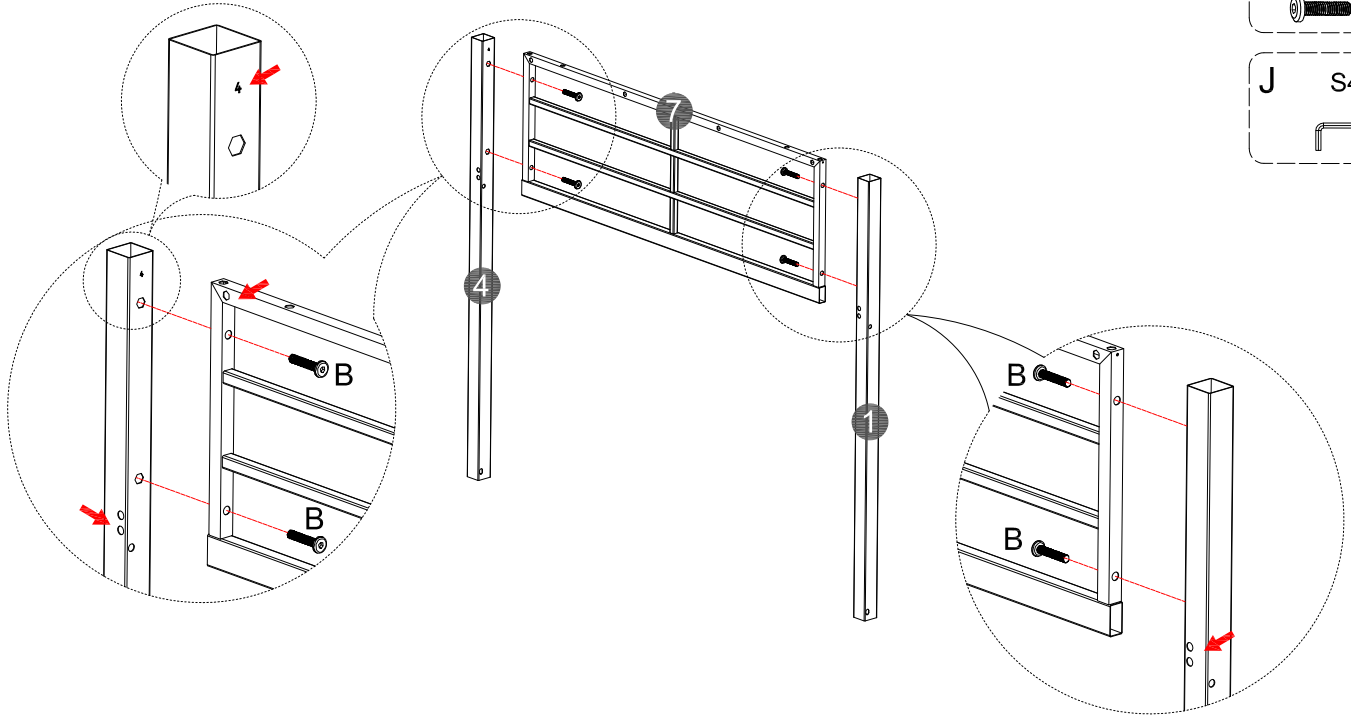
1

B M8\*35

x4

J S4

x1



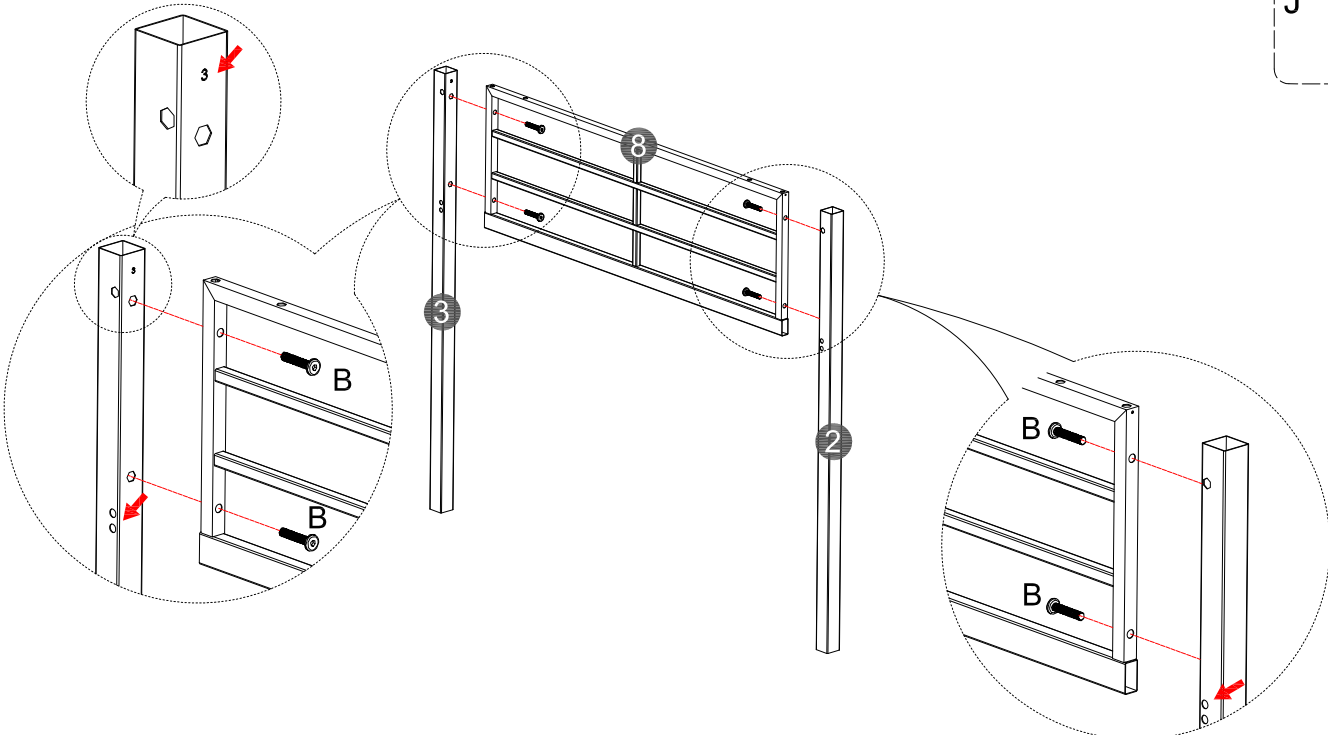
2

B M8\*35

x4

J S4

x1




# Assembly Instruction

3

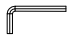
A M8\*55

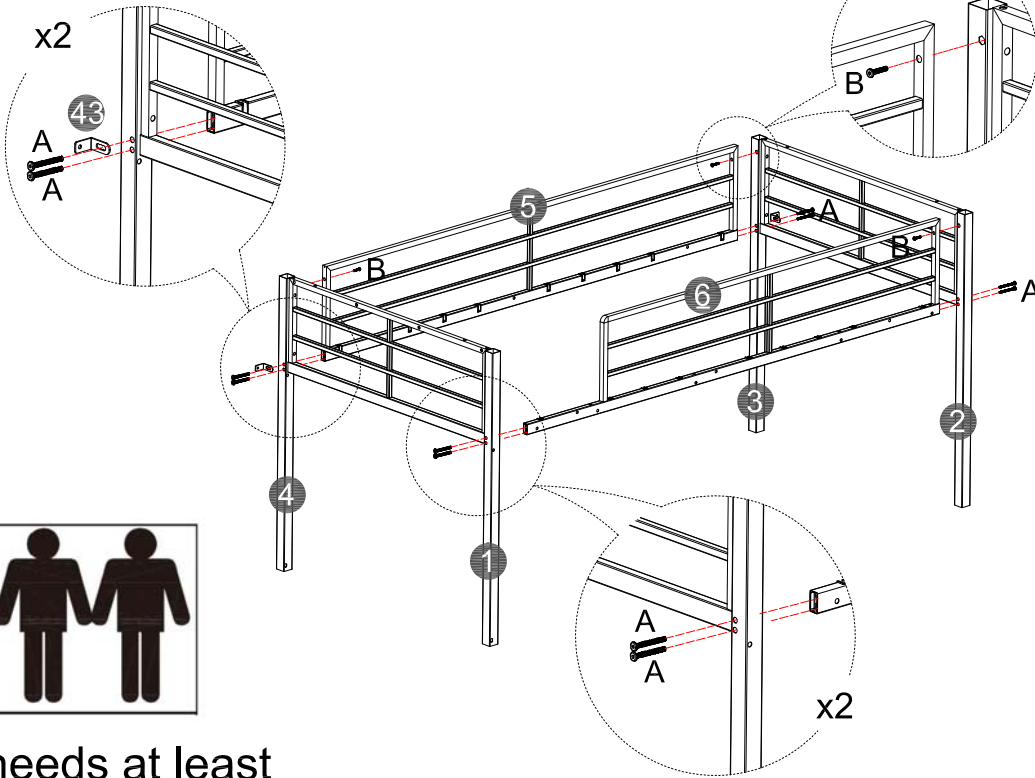
 x8

B M8\*35

 x3

J S4

 x1




It needs at least two people to install.

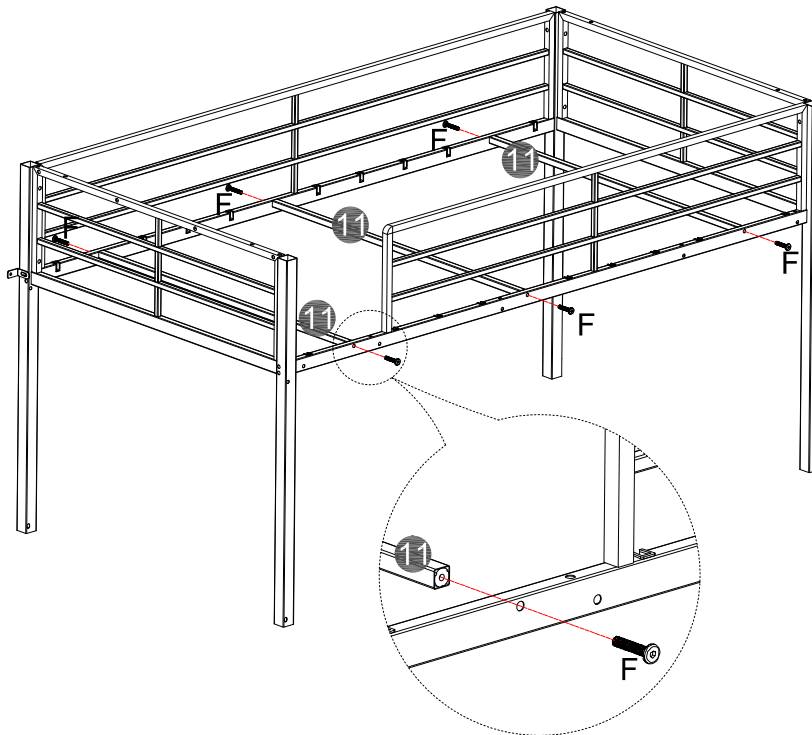
4

F M6\*35

 x6


J S4


 x1

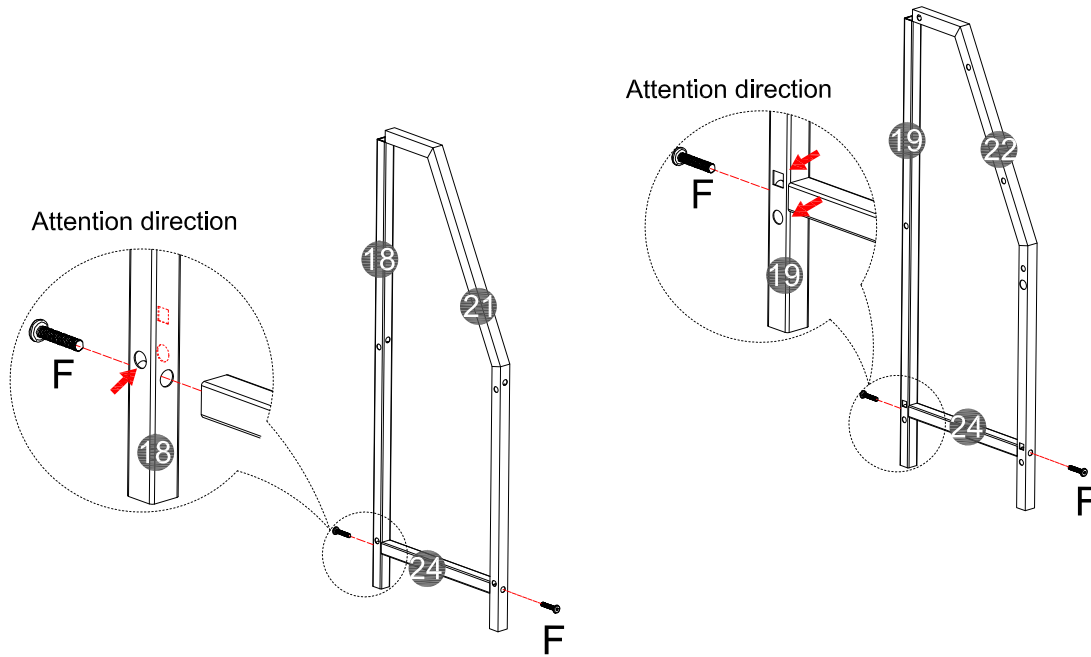


# Assembly Instruction


5


F M6\*35  
 x4

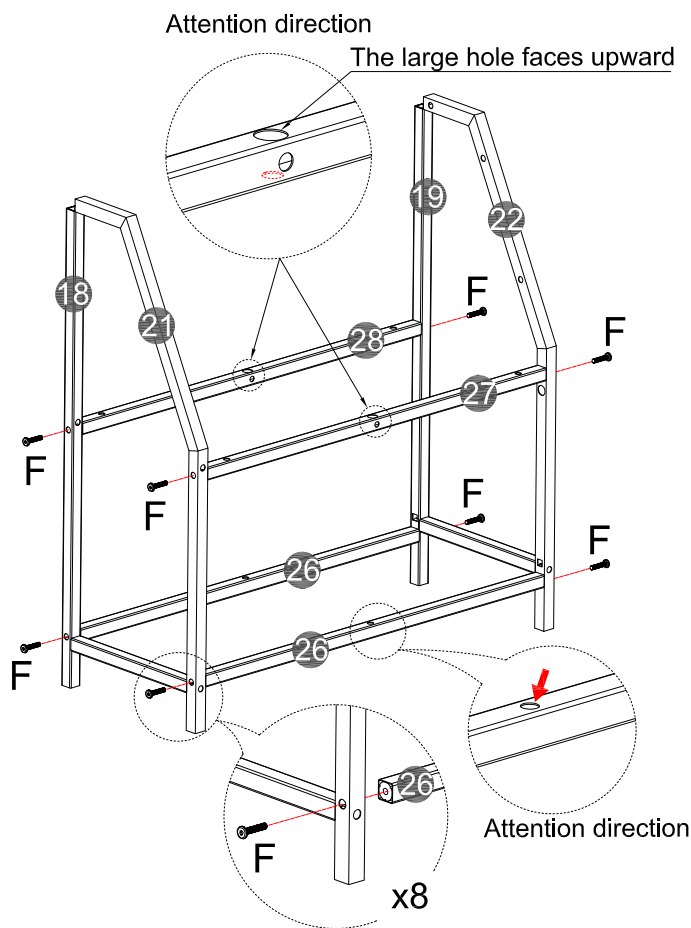
J S4  
 x1



6

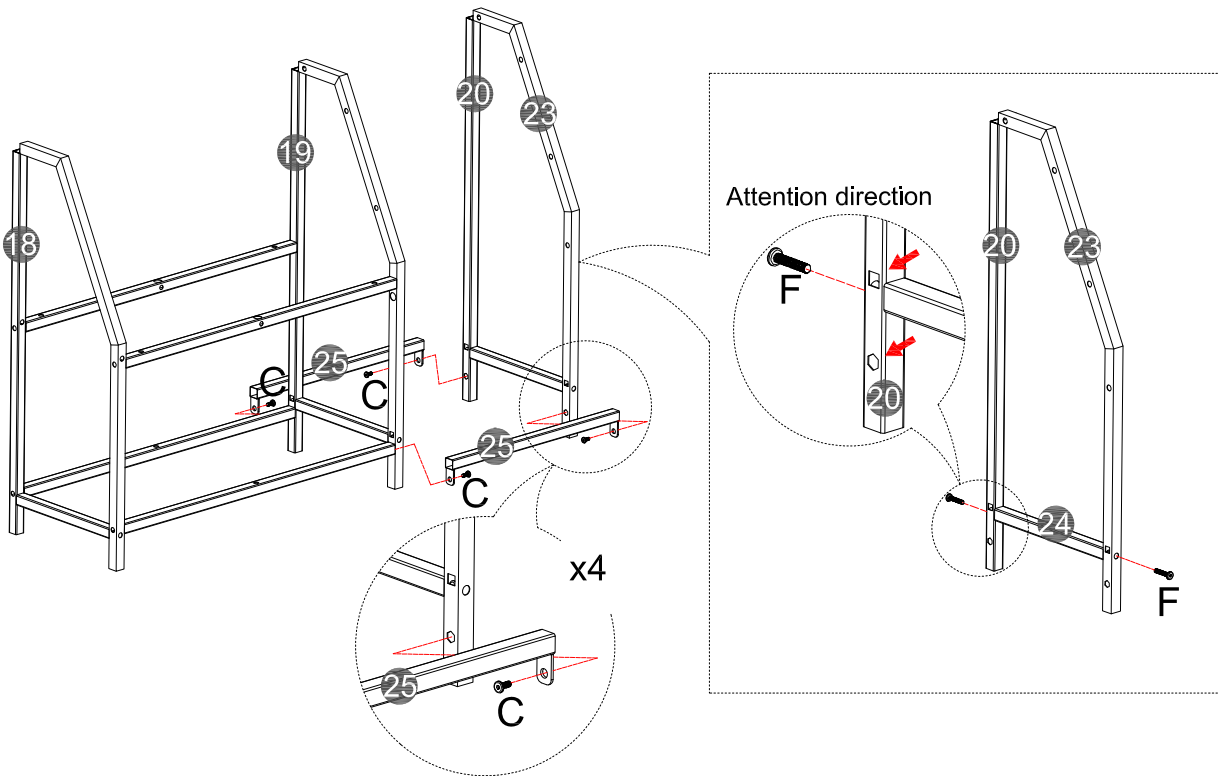
F M6\*35  
 x8

J S4  
 x1



# Assembly Instruction

7

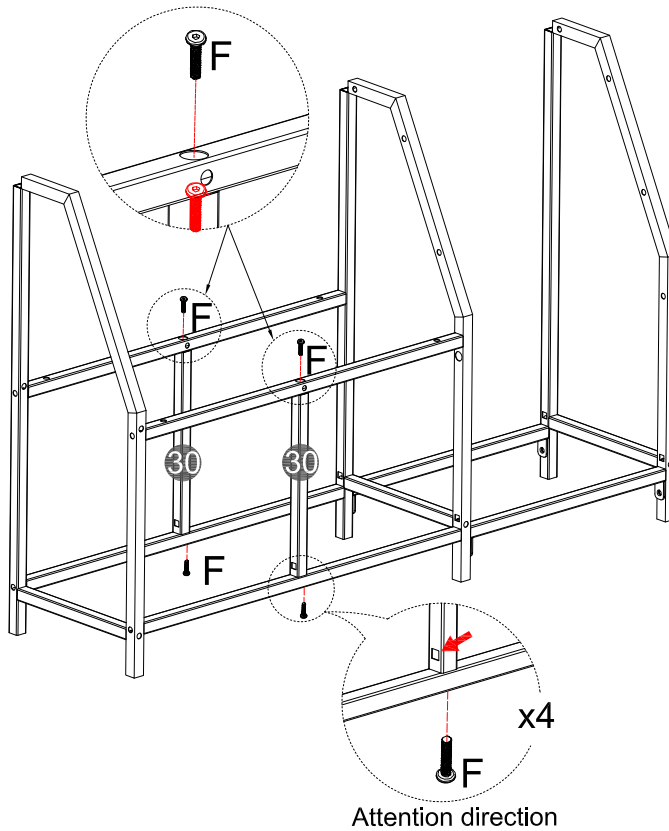


F M6\*35  
x2

C M6\*15  
x4

J S4  
x1

8



F M6\*35  
x4

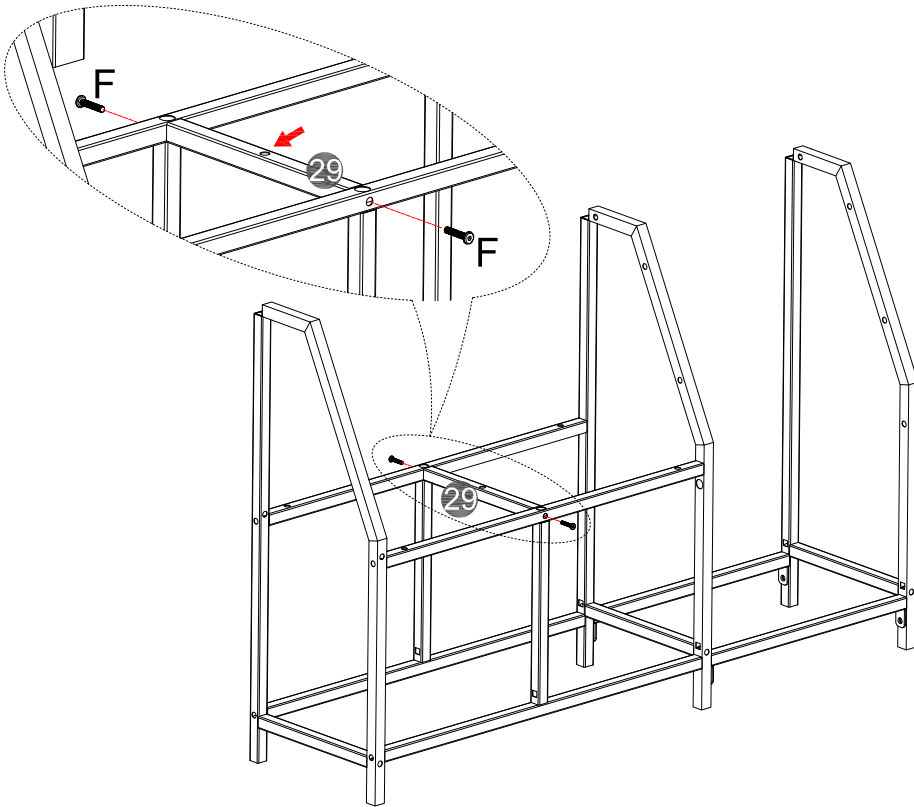
J S4  
x1

# Assembly Instruction

9

F M6\*35  
x2

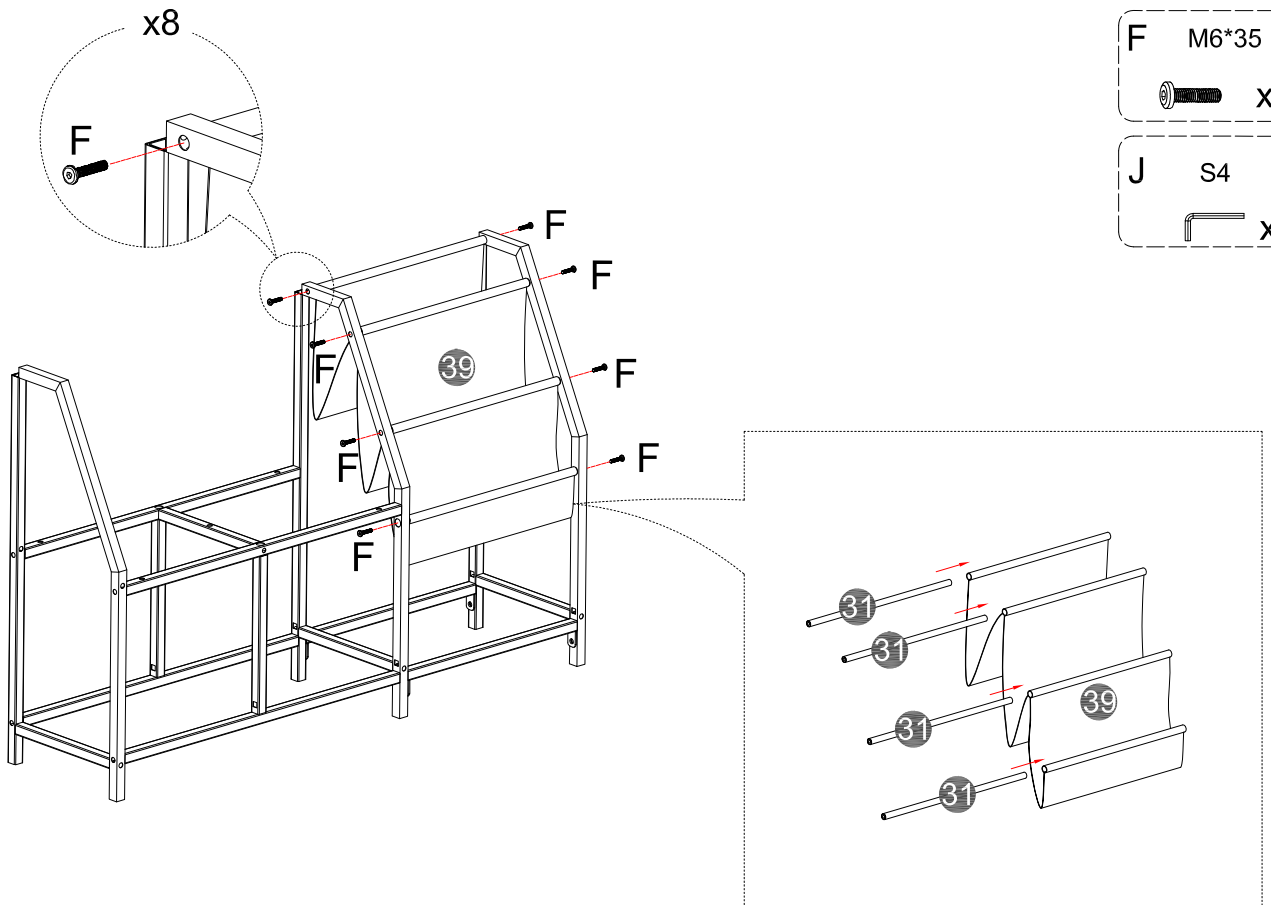
J S4  
x1



10

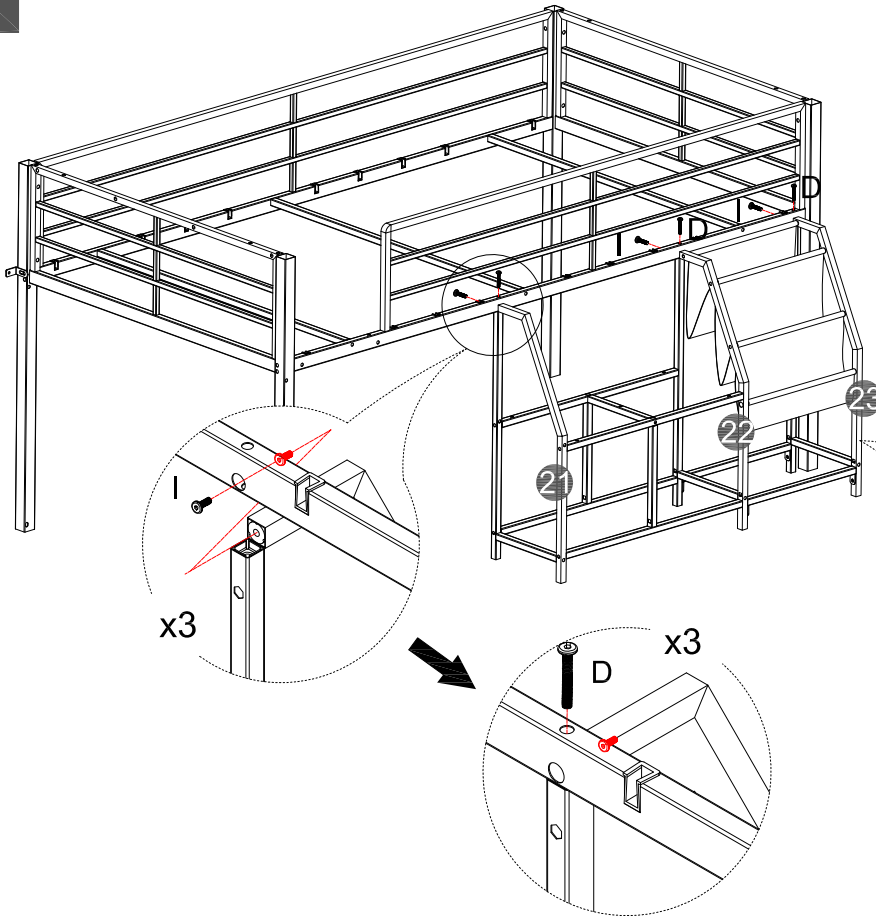
F M6\*35  
x8

J S4  
x1



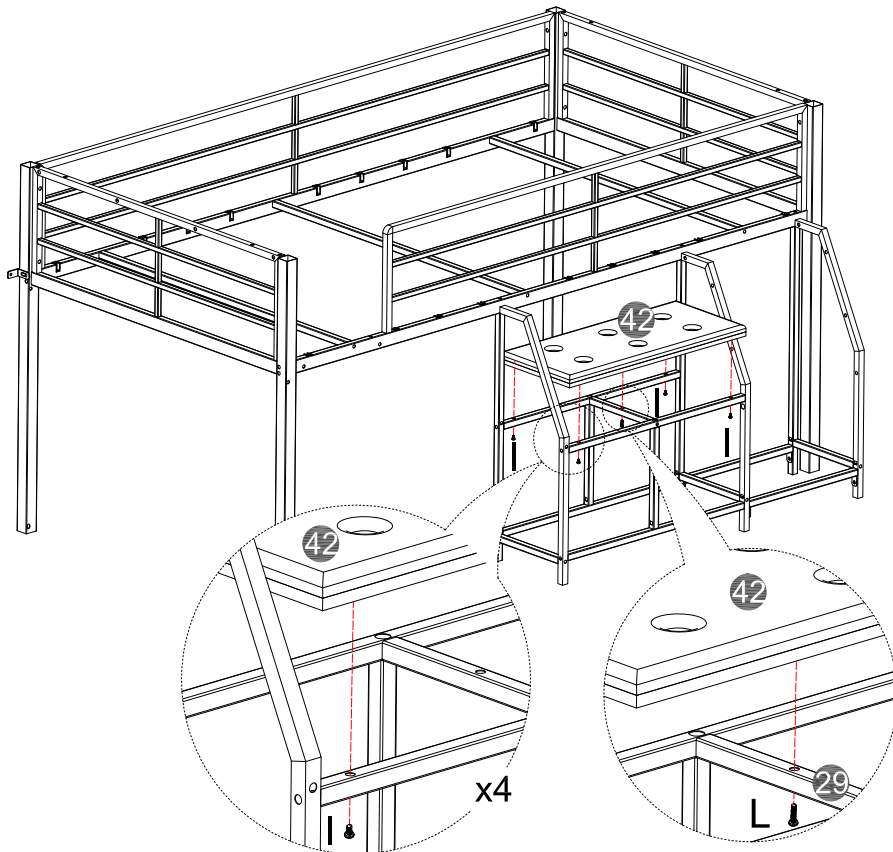
# Assembly Instruction

11



- D M6\*55  
x3
- I M6\*10  
x3
- J S4  
x1

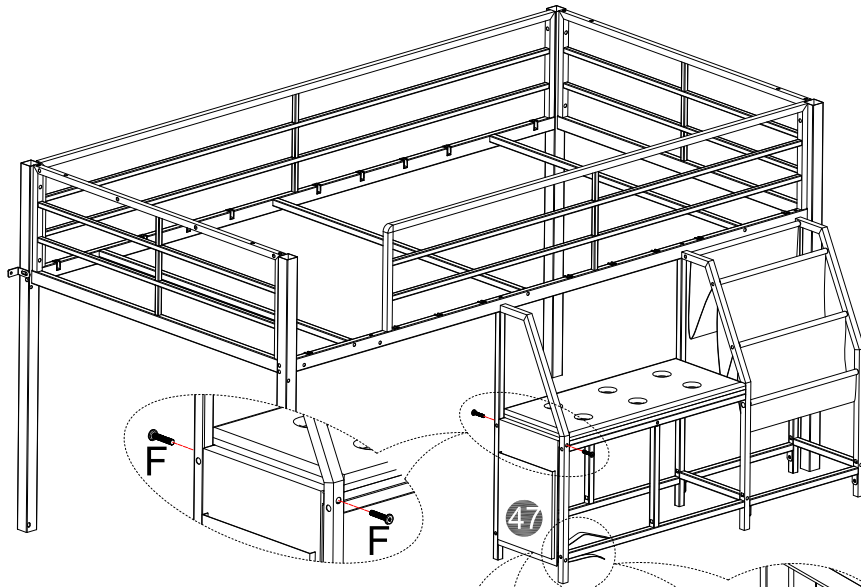
12



- I M6\*10  
x4
- L M6\*28  
x1
- J S4  
x1

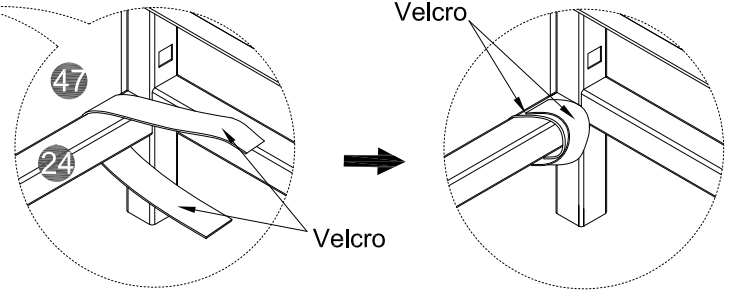
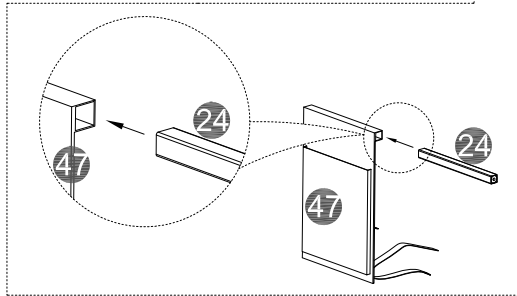
# Assembly Instruction

13

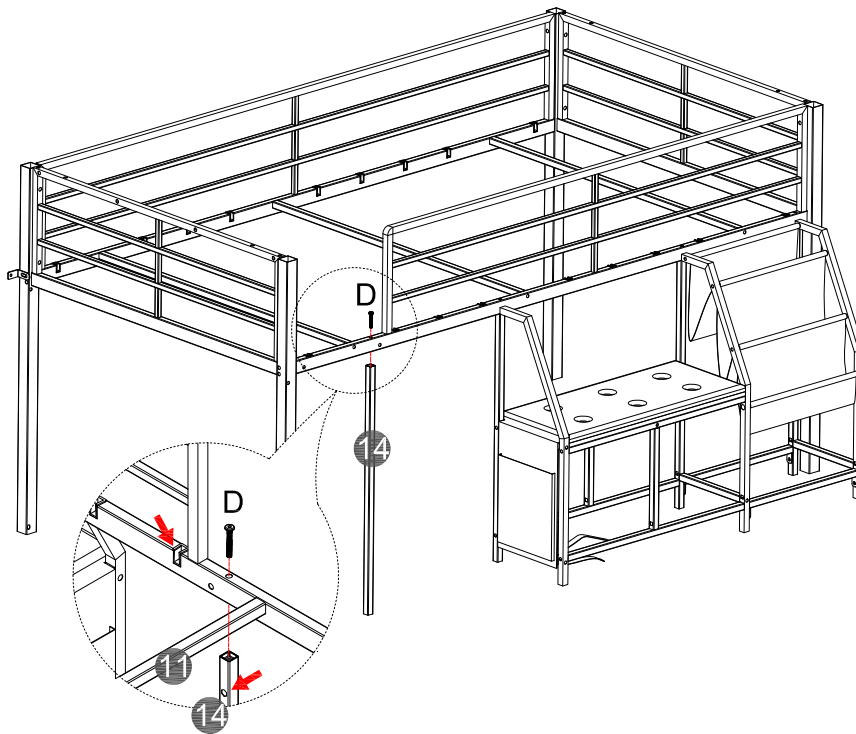


F M6\*35  
x2

J S4  
x1



14

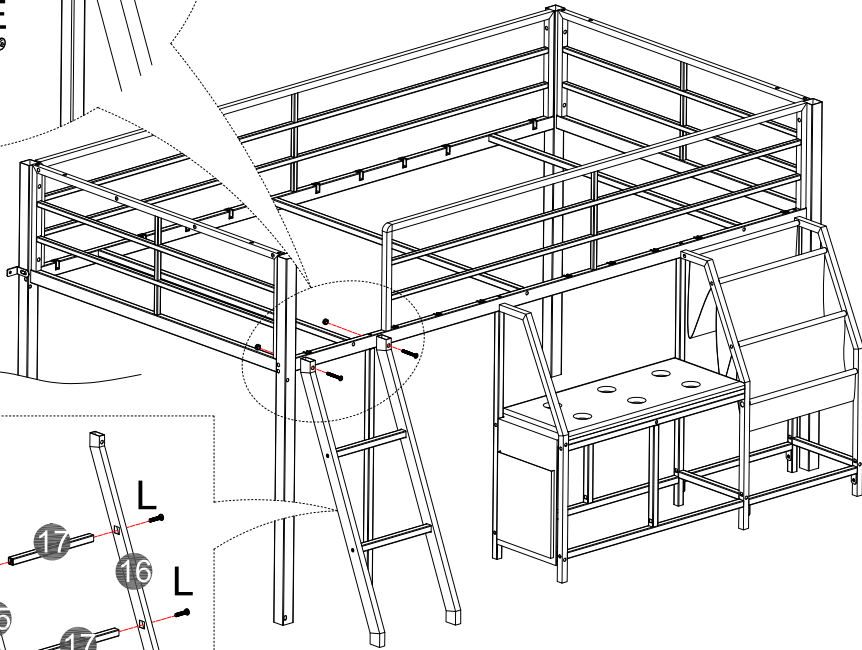
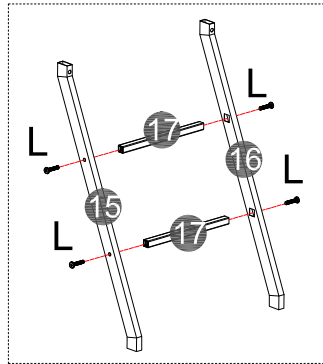
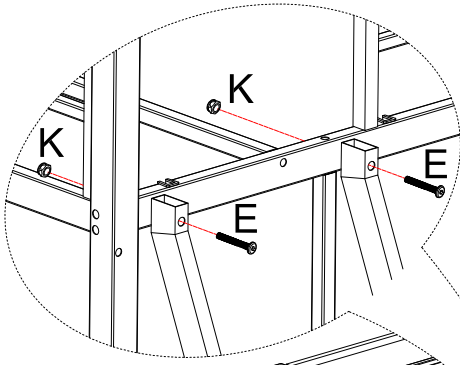


D M6\*55  
x1

J S4  
x1

# Assembly Instruction

15



E M6\*70  
x2

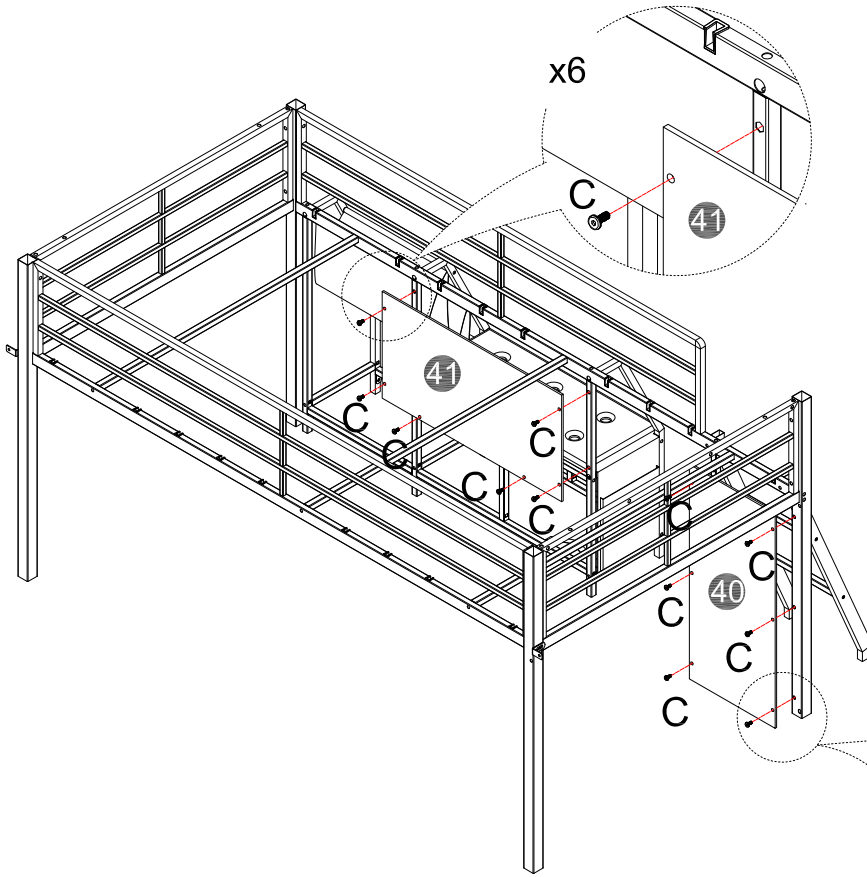
H S10,S13  
x1

L M6\*28  
x4

K M6  
x2

J S4  
x1

16



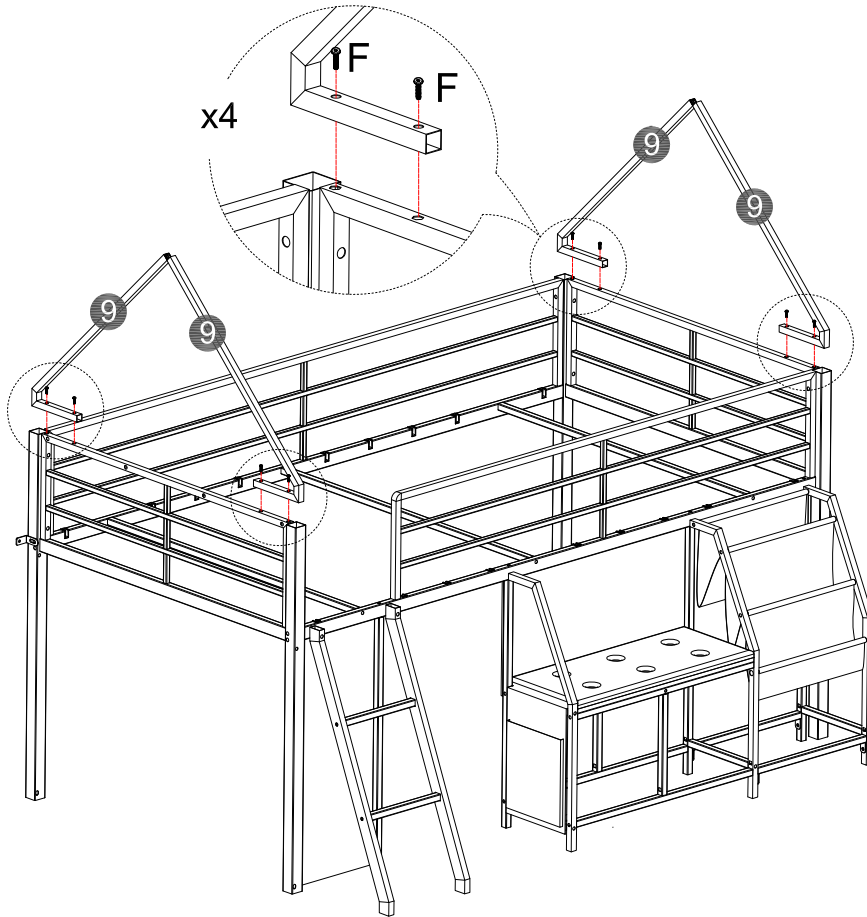
C M6\*15  
x12

J S4  
x1

x6

# Assembly Instruction

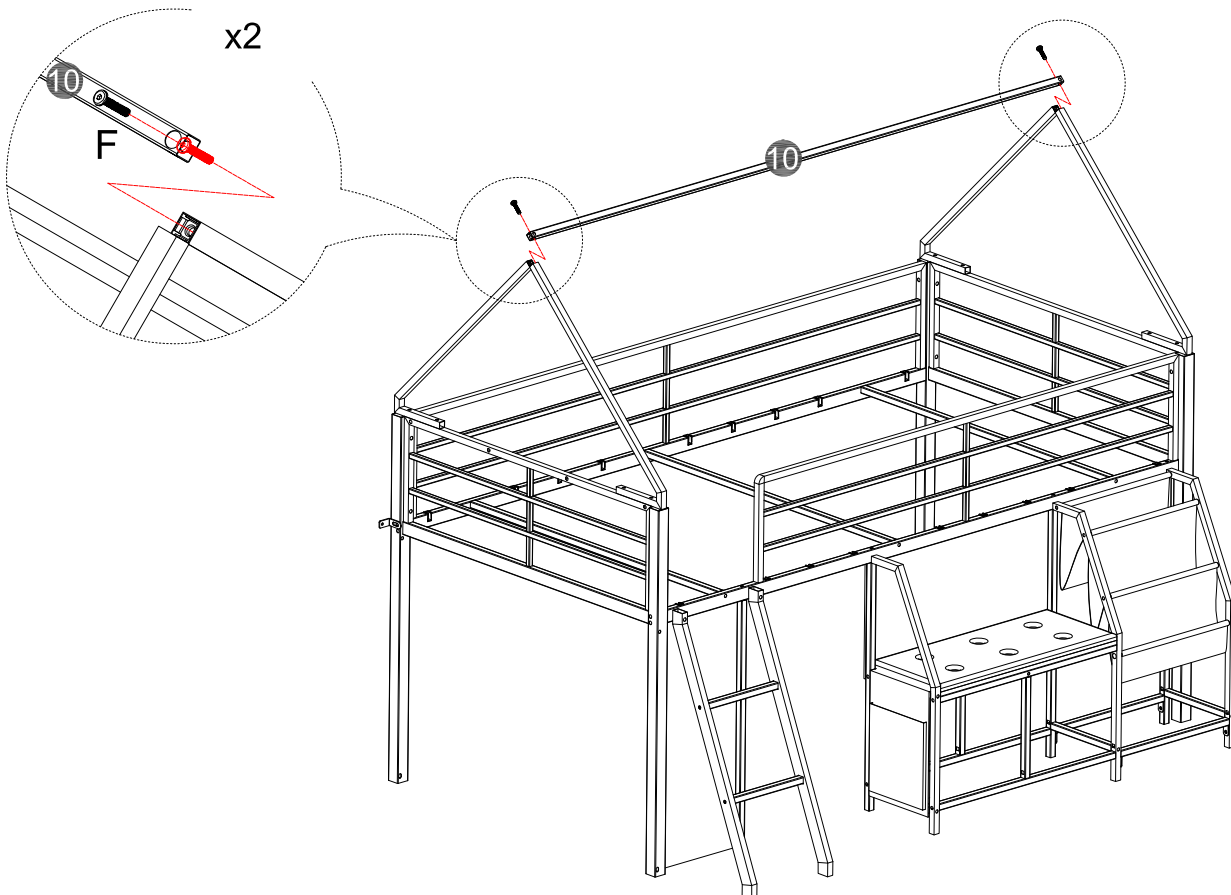
17



F M6\*35  
x8

J S4  
x1

18

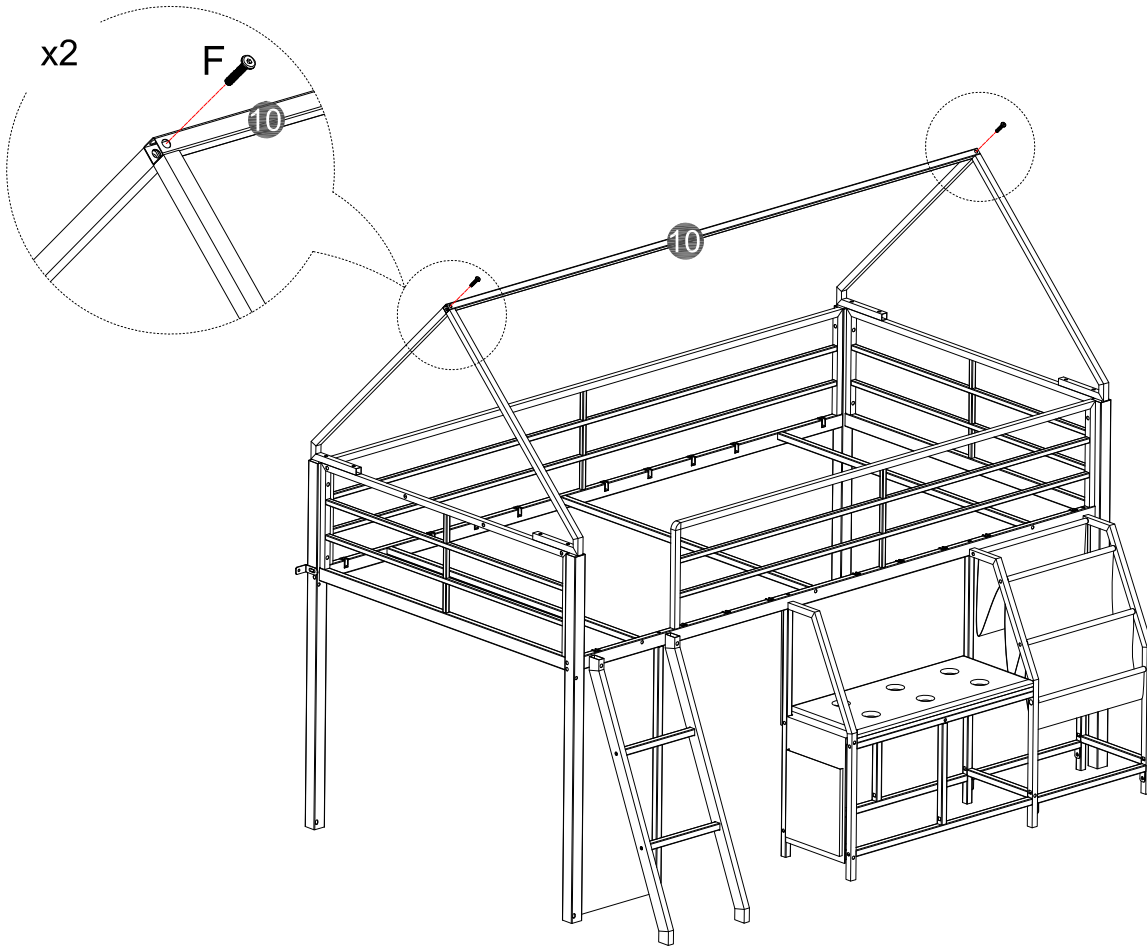


F M6\*35  
x2

J S4  
x1

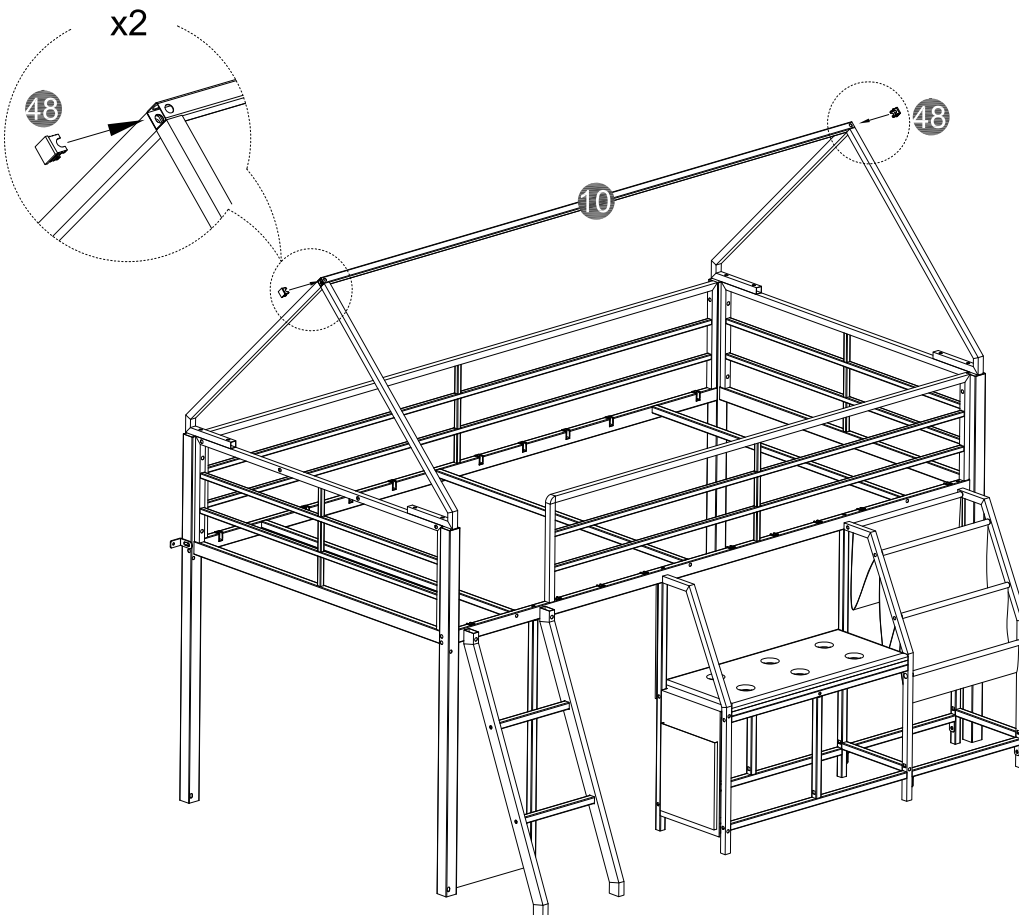
# Assembly Instruction

19



- F M6\*35  
x2
- J S4  
x1

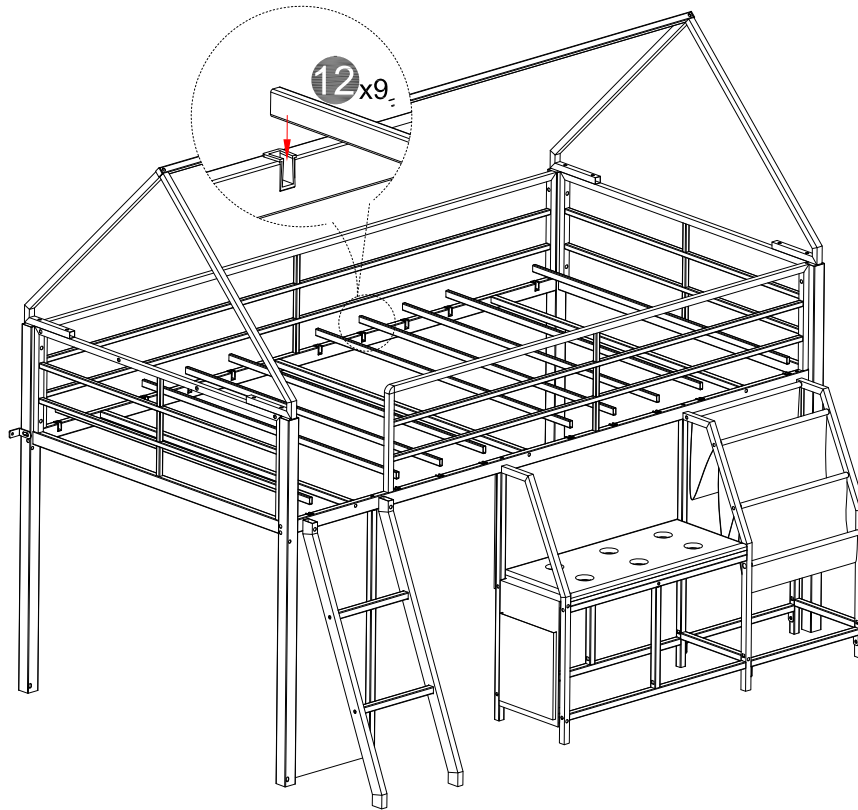
20



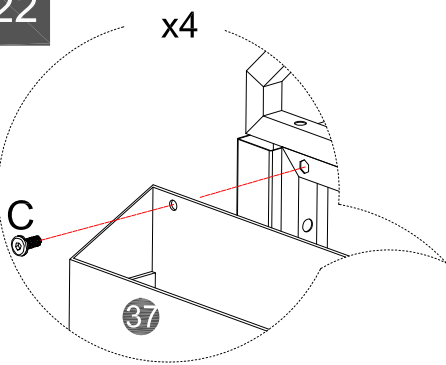
# Assembly Instruction

21

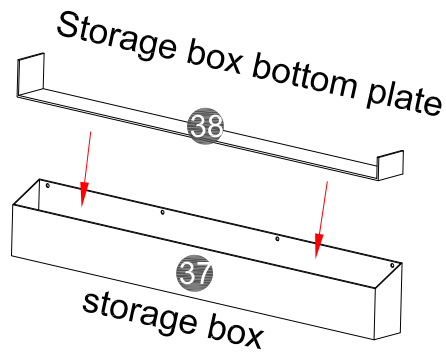
Please confirm that the assembly is in place.



22

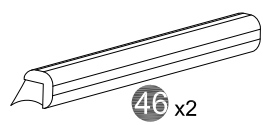


x4



C M6\*15  
x4

J S4  
x1





46 x2

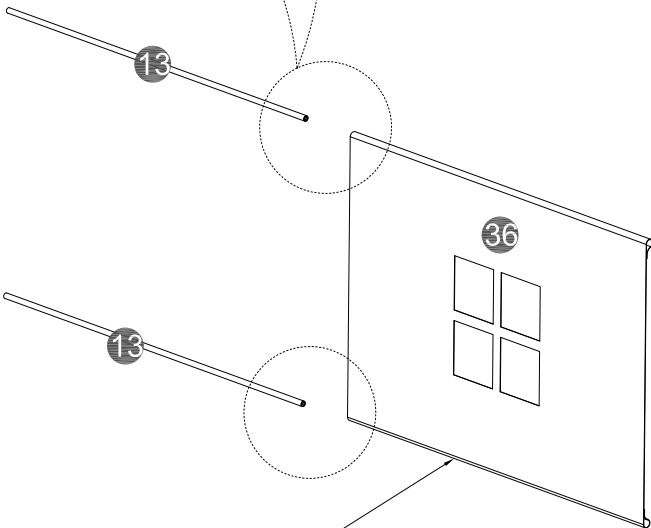
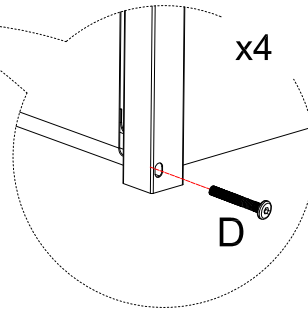
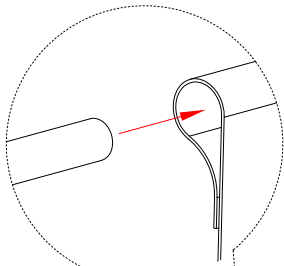
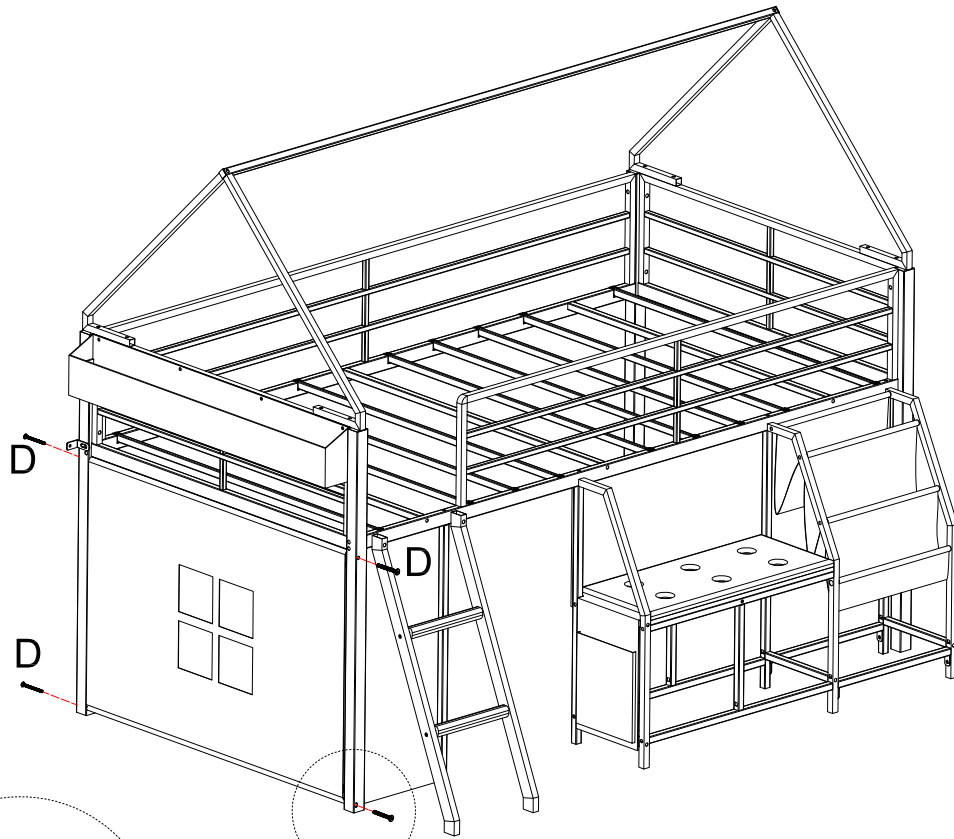
After tearing the tape off the sponge, attach the sponge to the stair tube

# Assembly Instruction

23

D M6\*55  
 x4

J S4  
 x1

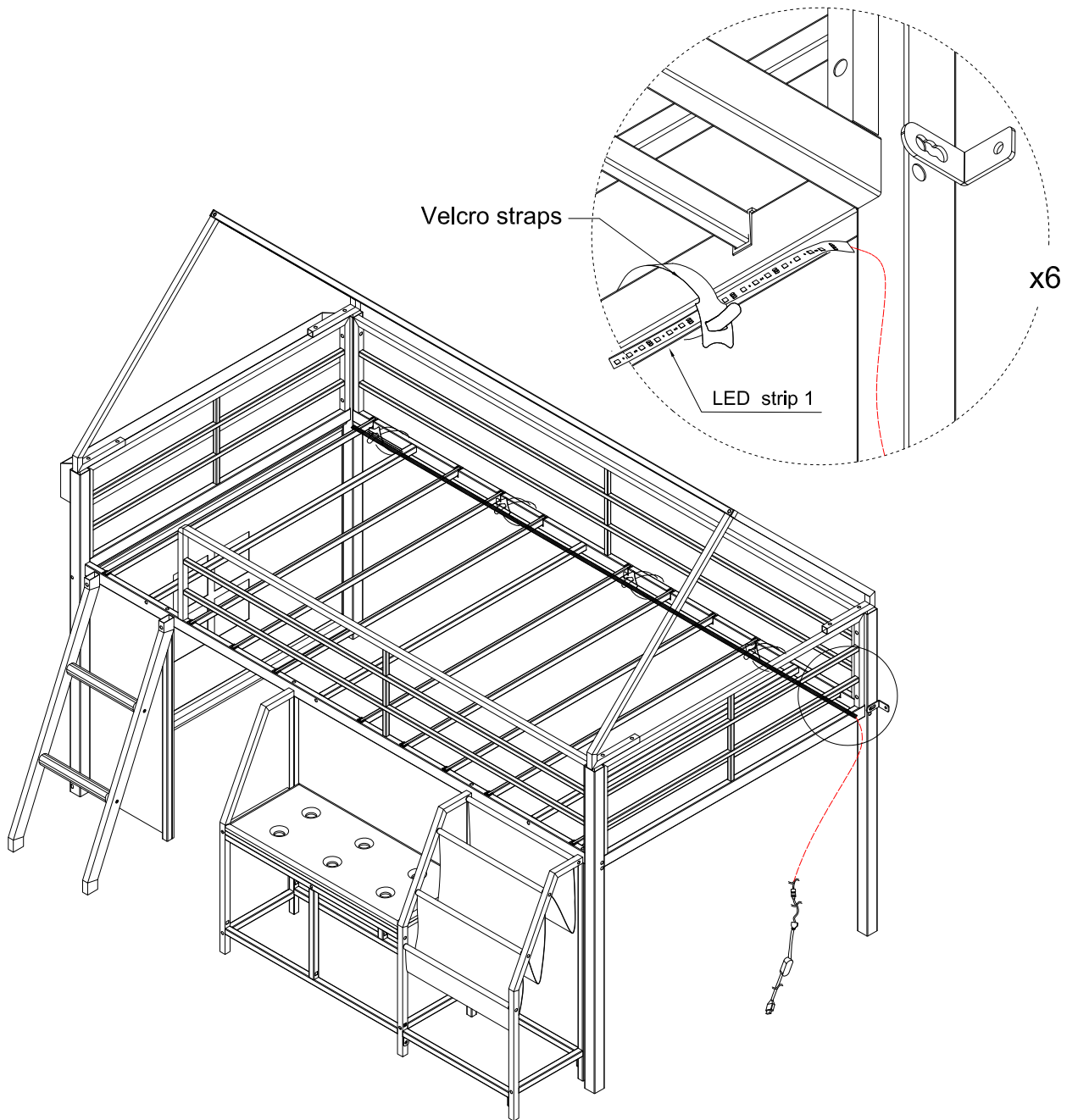
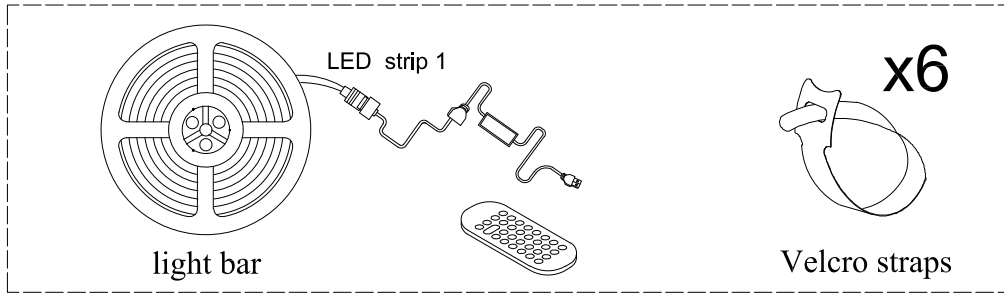


Adjust the velcro and paste it well

# Assembly Instruction

24

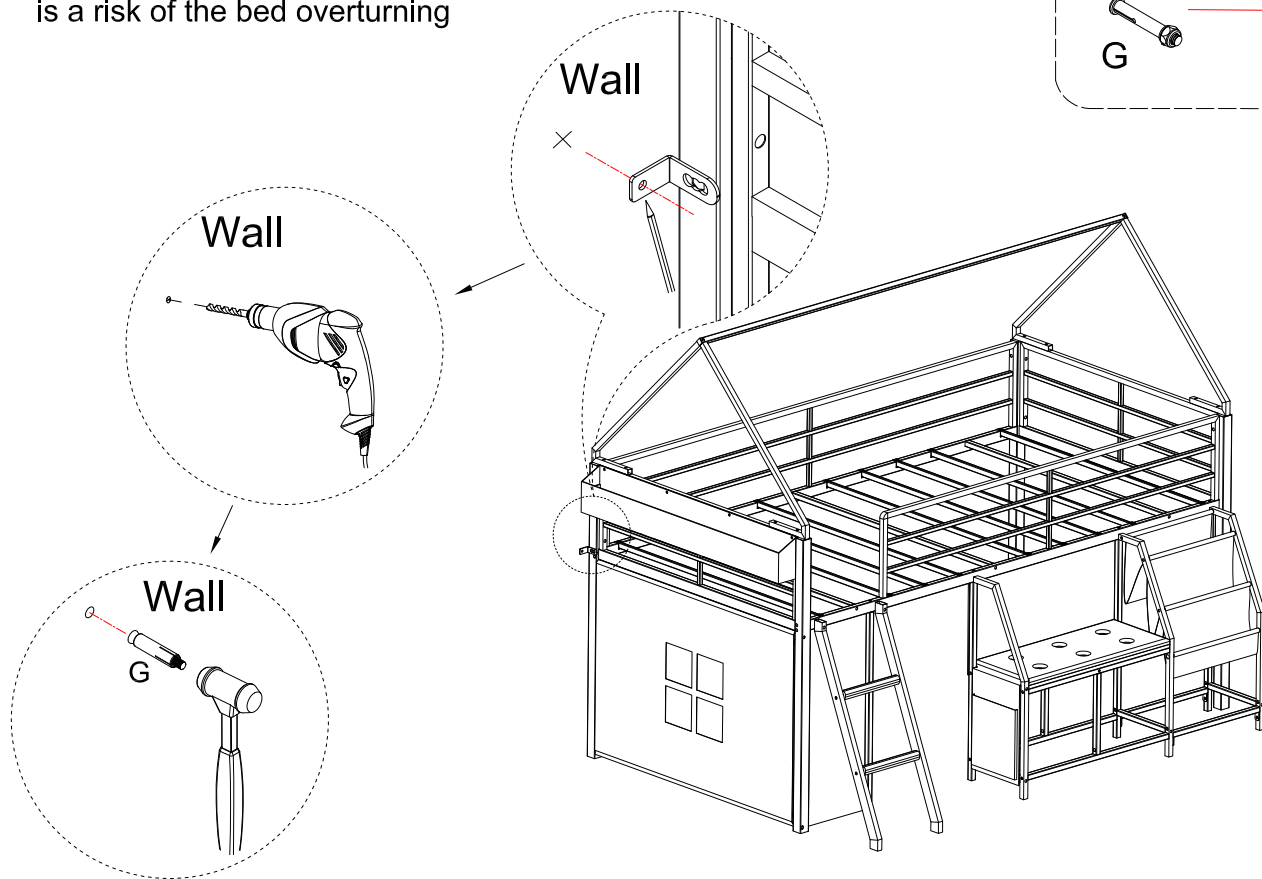
## DIY LED



# Assembly Instruction

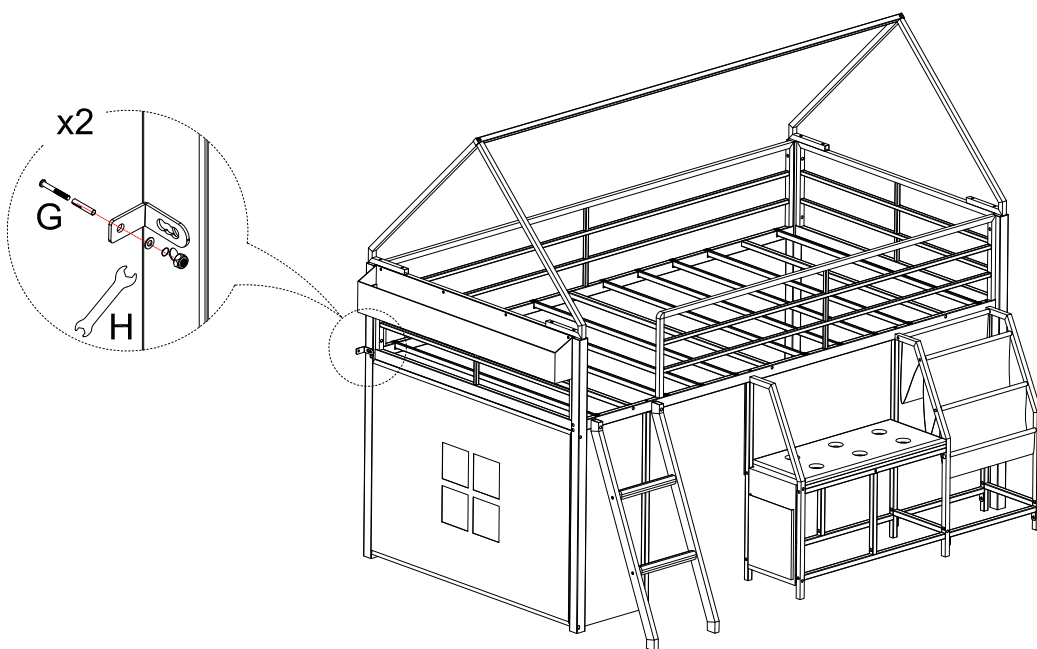
25

If the wall nails are not locked, there is a risk of the bed overturning



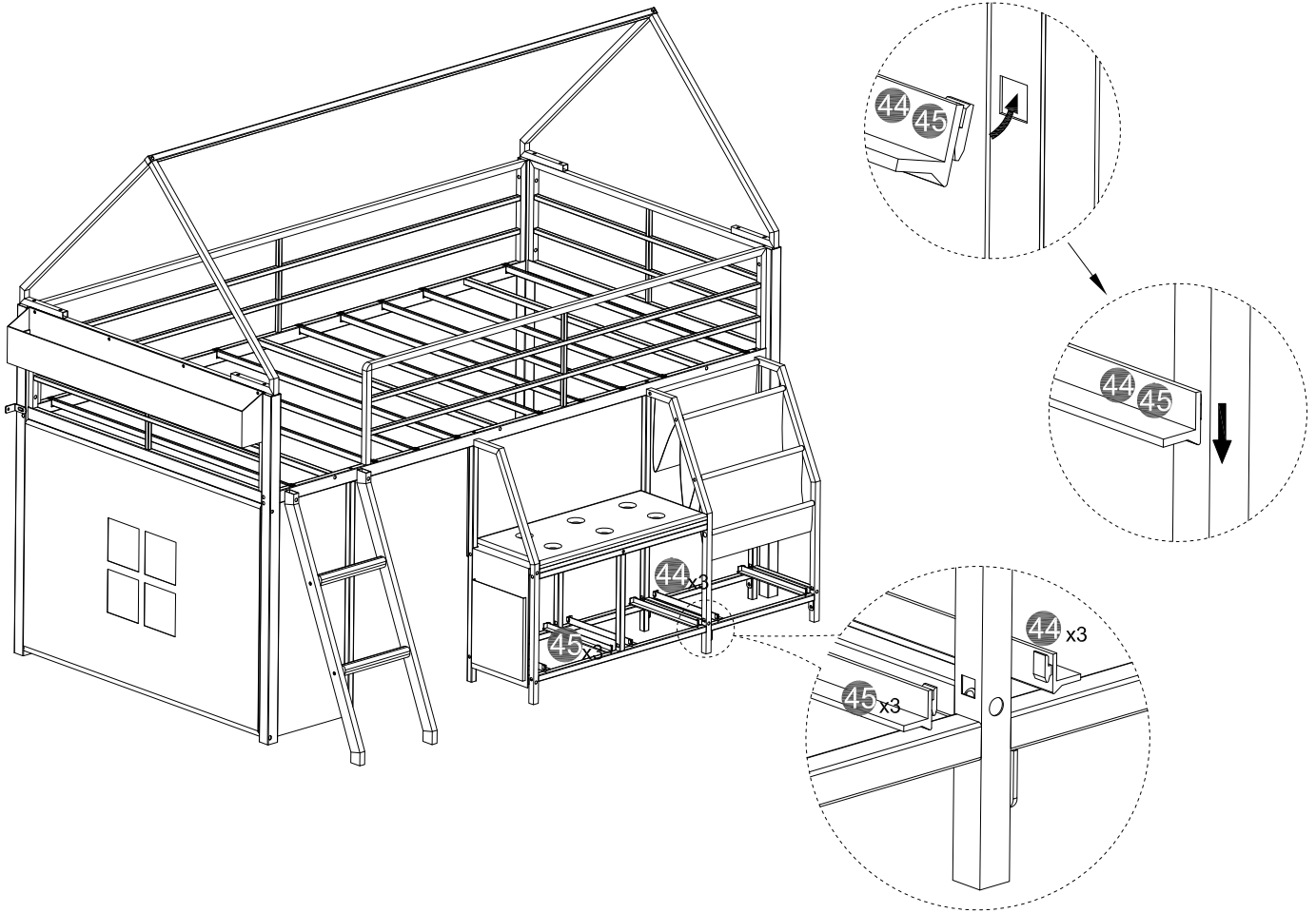
26

- G M6\*50
- x2
- H S10\*S13
- x1

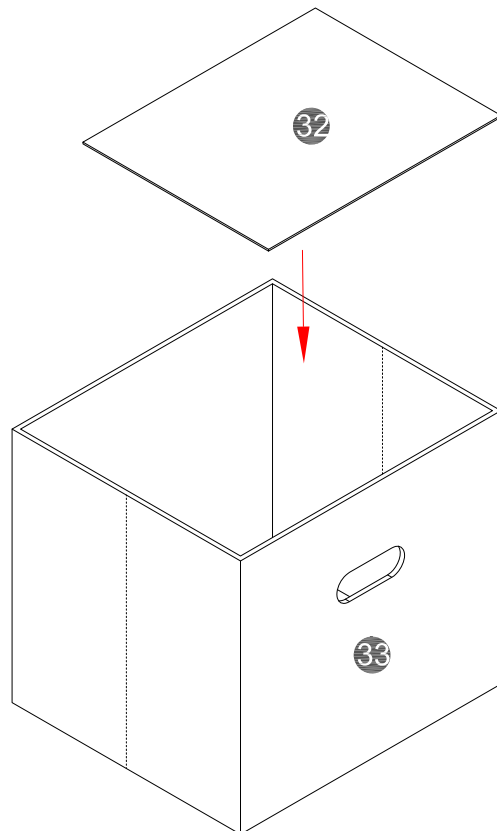


# Assembly Instruction

27



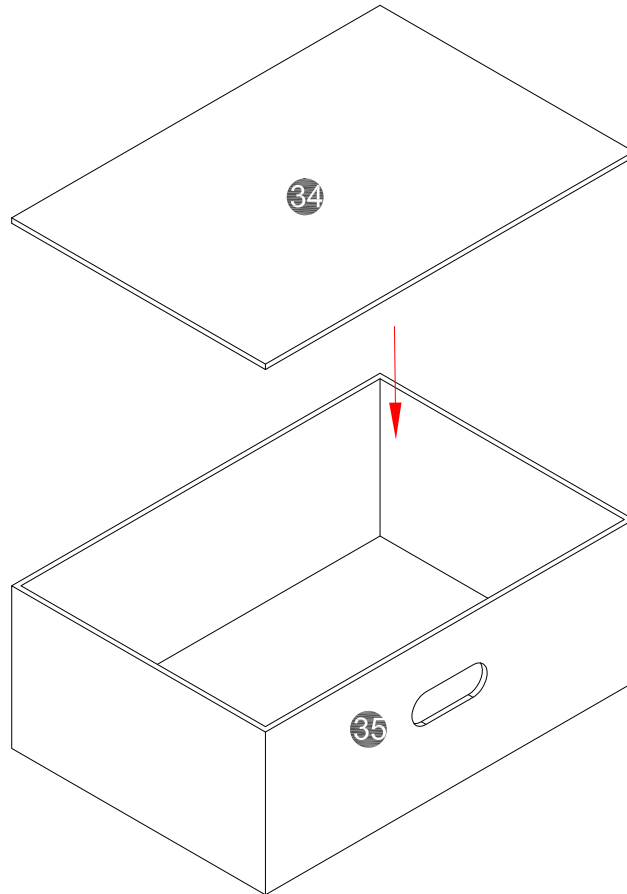
28



x2

# Assembly Instruction

29



x1

30

