

## SHOWER DOOR INSTALLATION INSTRUCTIONS

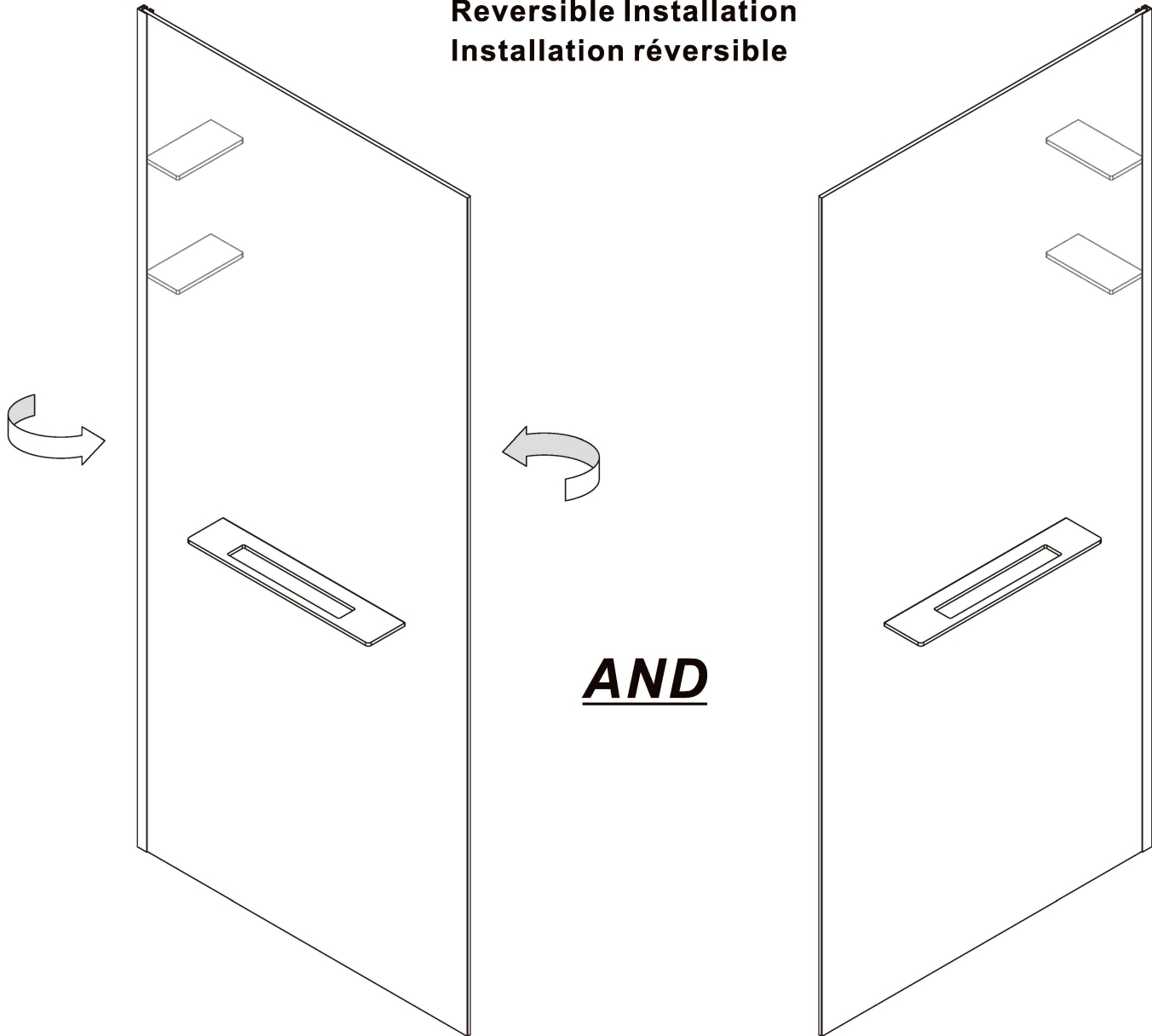
### WARM TIPS

Before the installation, please read through the instruction manual to confirm that our steps are the opening direction you want to open the door. If not, do it in the opposite way.

### CONSEILS POUR SE RÉCHAUFFER

Avant l'installation, veuillez lire le manuel d'instructions pour confirmer que nos étapes correspondent au sens d'ouverture que vous souhaitez donner à la porte. Si ce n'est pas le cas, procédez dans le sens inverse.

### Reversible Installation Installation réversible



**Left Side Installation**  
Installation à gauche

**Right Side Installation**  
Installation à droite

**ENRO1040**

# ◆ Preparation

## IMPORTANT

- Before installation, please inspect the package to ensure no damages or missing parts have occurred while in shipping. If you have any questions or concerns, please contact us directly.
- Reading installation instructions thoroughly before installing be sure to use proper tools. Notes: Safety glass can not be re-worked.
- Measure the size of the wall to insure that the shower door fit properly.
- The step-by-step guidelines in the installation instructions are a general reference. Should there be any discrepancies, Sunrosa cannot be held liable.
- Product specifications are subject to change without notice. Please use the installation instructions supplied with the product.
- Please keep these instructions for aftercare and customer service details.

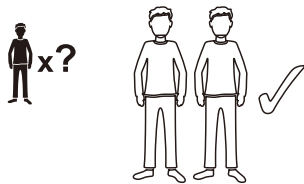
## CAUTION

- Please moving the product carefully to avoid impact loading to all sides and edges of the glass, Sunrosa cannot be held liable about it.
- Special care should be taken when drilling walls to avoid damaged hidden pipes or electrical cables.
- We suggest at least two people to move it because it's heavy and it is highly recommending a professional to install.

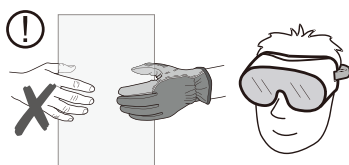
## CARE

- After use, your shower should be cleaned with soap and water. This is particularly important in hard water districts where insoluble lime salts may be deposited and allowed to build up.
- Cleaners of a gritty or abrasive nature should not be used. Care should be taken to avoid contact with strong chemicals such as organic solvents and strippers.
- Glass cleaners can be used but with caution, if in doubt contact the manufacturer of the cleaner in question.

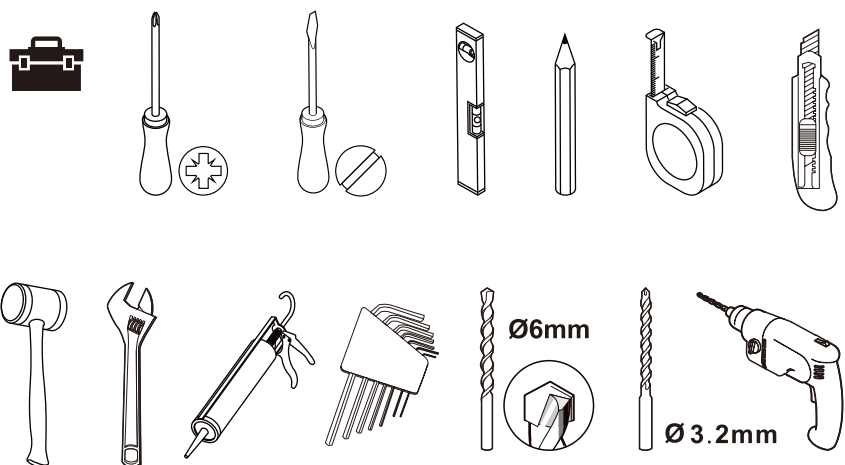
It is recommended that at least two people install it.



Wear gloves and goggles for your safety.



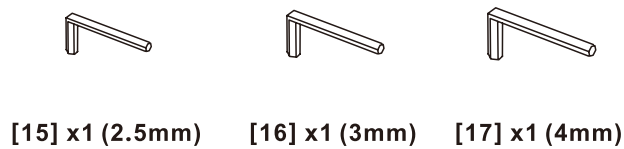
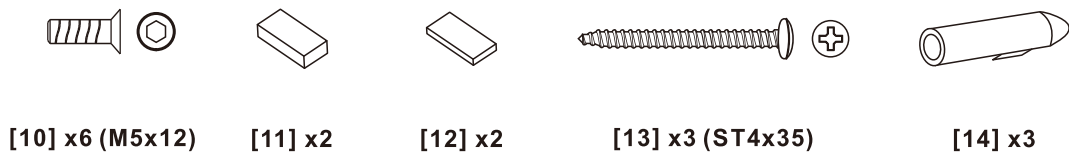
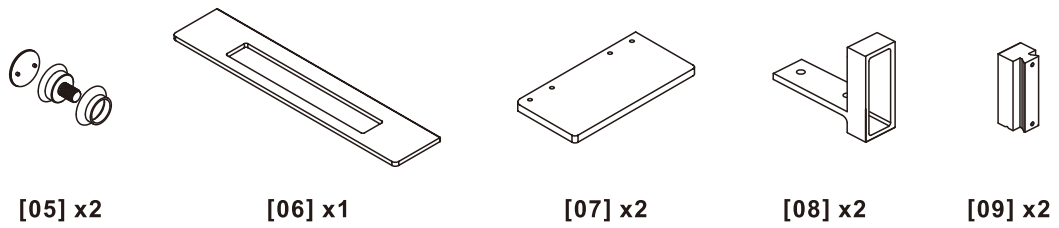
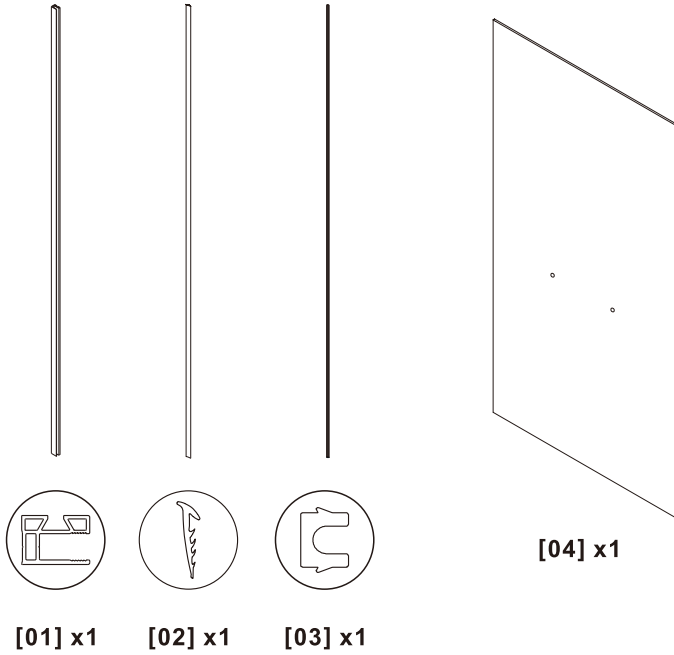
## Required Tools

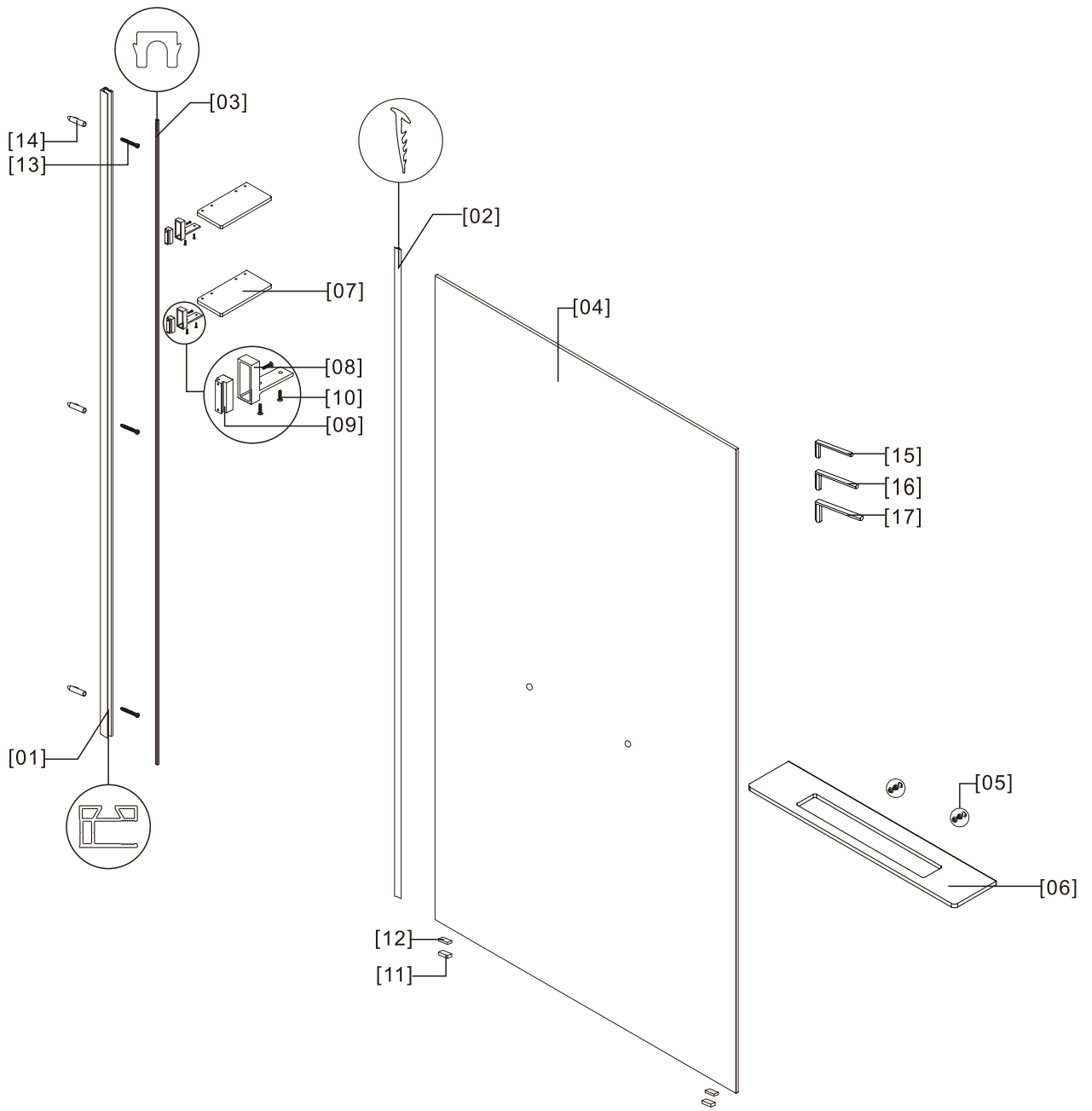




## What's in the box

If something is missing or broken, please contact us.  
We will help you.







- 1.1 Place [01] the wall post against the wall. Make sure [01] the wall post is at least 10mm away from the edge.
- 1.2 Use a pencil to mark the drill holes on the wall.
- 1.3 Drill 6mm diameter holes according to your marks.
- 1.4 Knock [14] the wall plugs into the wall.
- 1.5 Then use [13] ST4x35 to screw the wall post in place. (Clockwise direction)

01



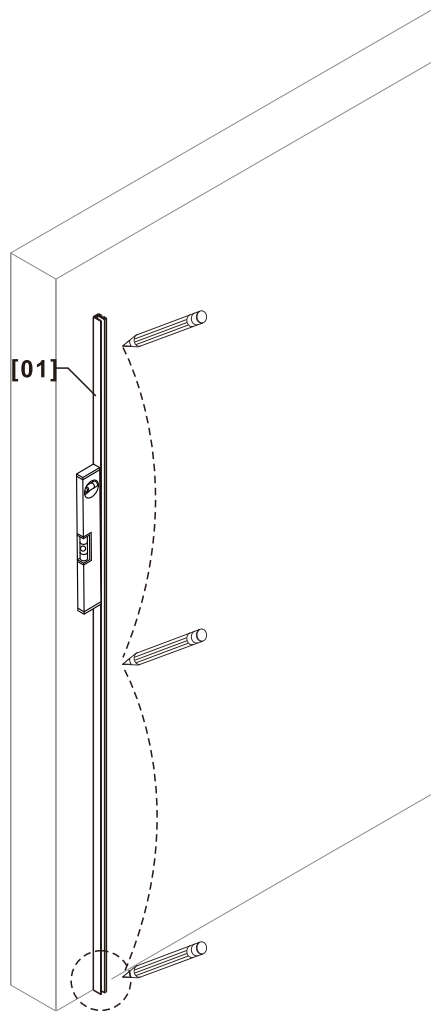
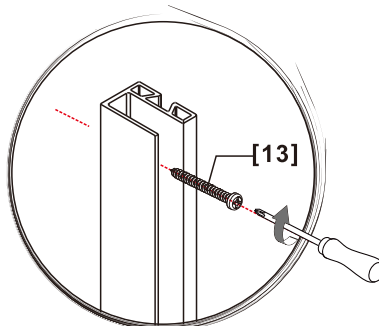
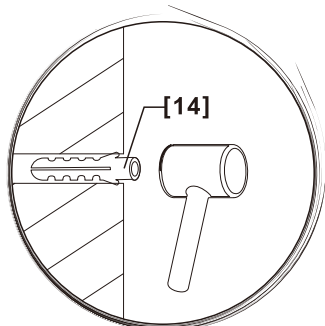
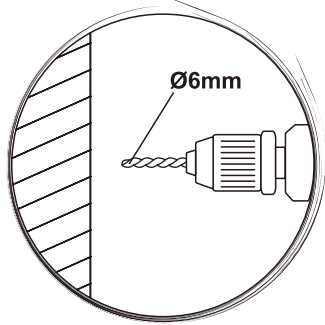
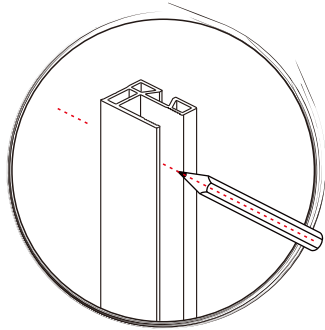
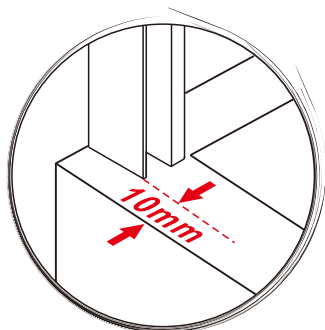
[01] x1



[14] x3

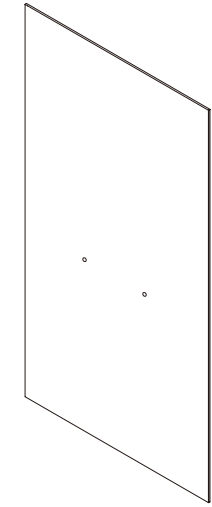


[13] x3 (ST4x35)



# 02

- 2.1 At least two people lift the [04] glass together and then insert the [04] glass into the wall profile.
- 2.2 Make sure the [04] glass is level when installing, then install [11] and [12] at the bottom of each side of the [04] glass. (As shown in the figure)
- 2.3 If the [04] glass is not horizontal after installation, then you will need to install two sets of [11] and [12] on the bottom right side of the [04] glass (as shown).
- 2.4 Insert the [02] seal strip into the wall profile to better fix the [04] glass.



[04] x1



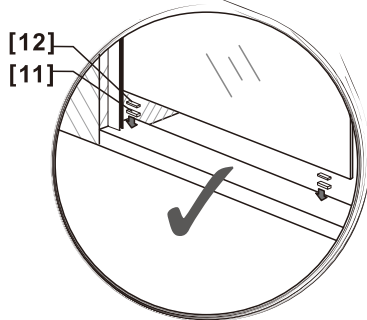
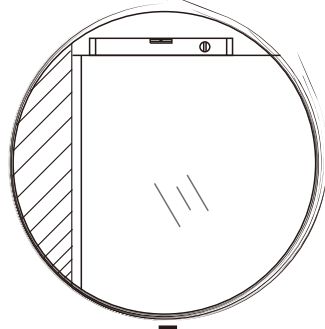
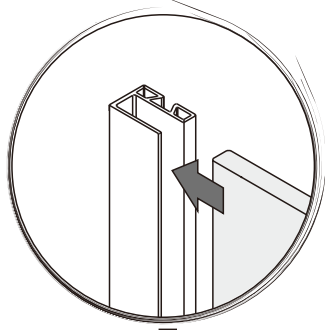
[02] x1



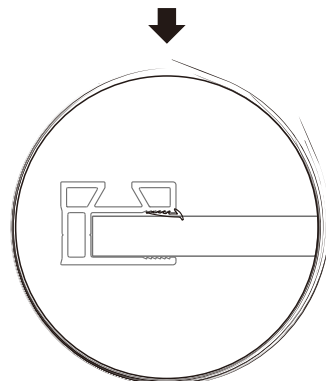
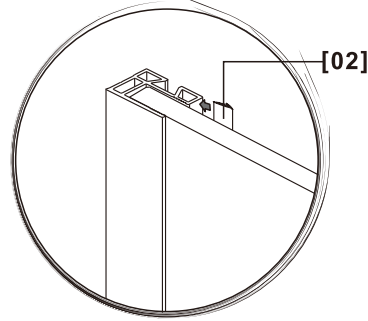
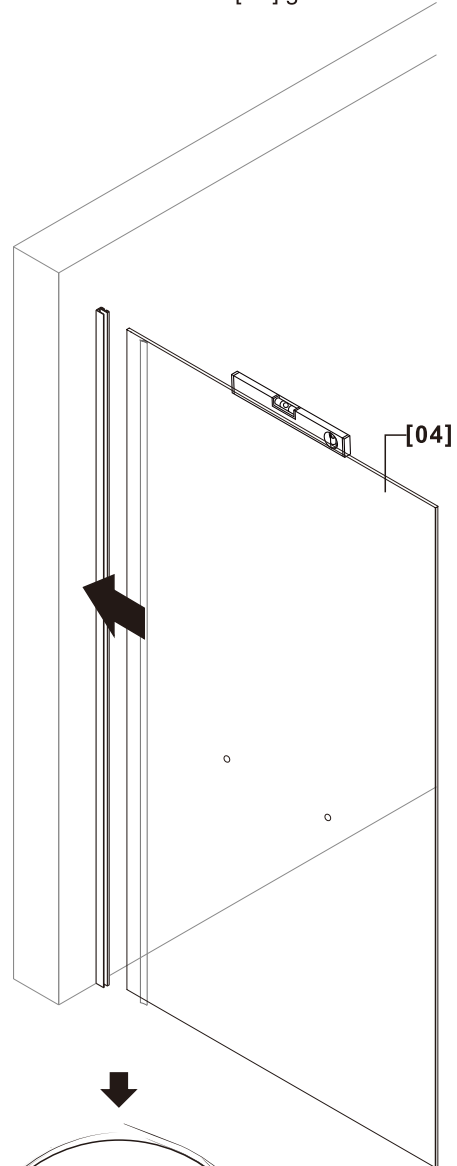
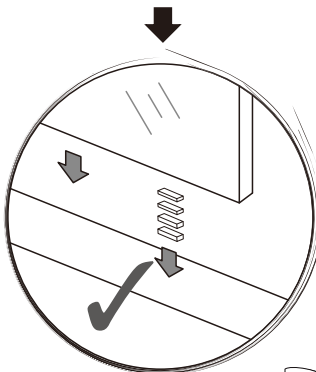
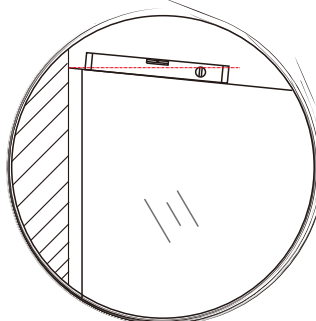
[11] x2



[12] x2



OR

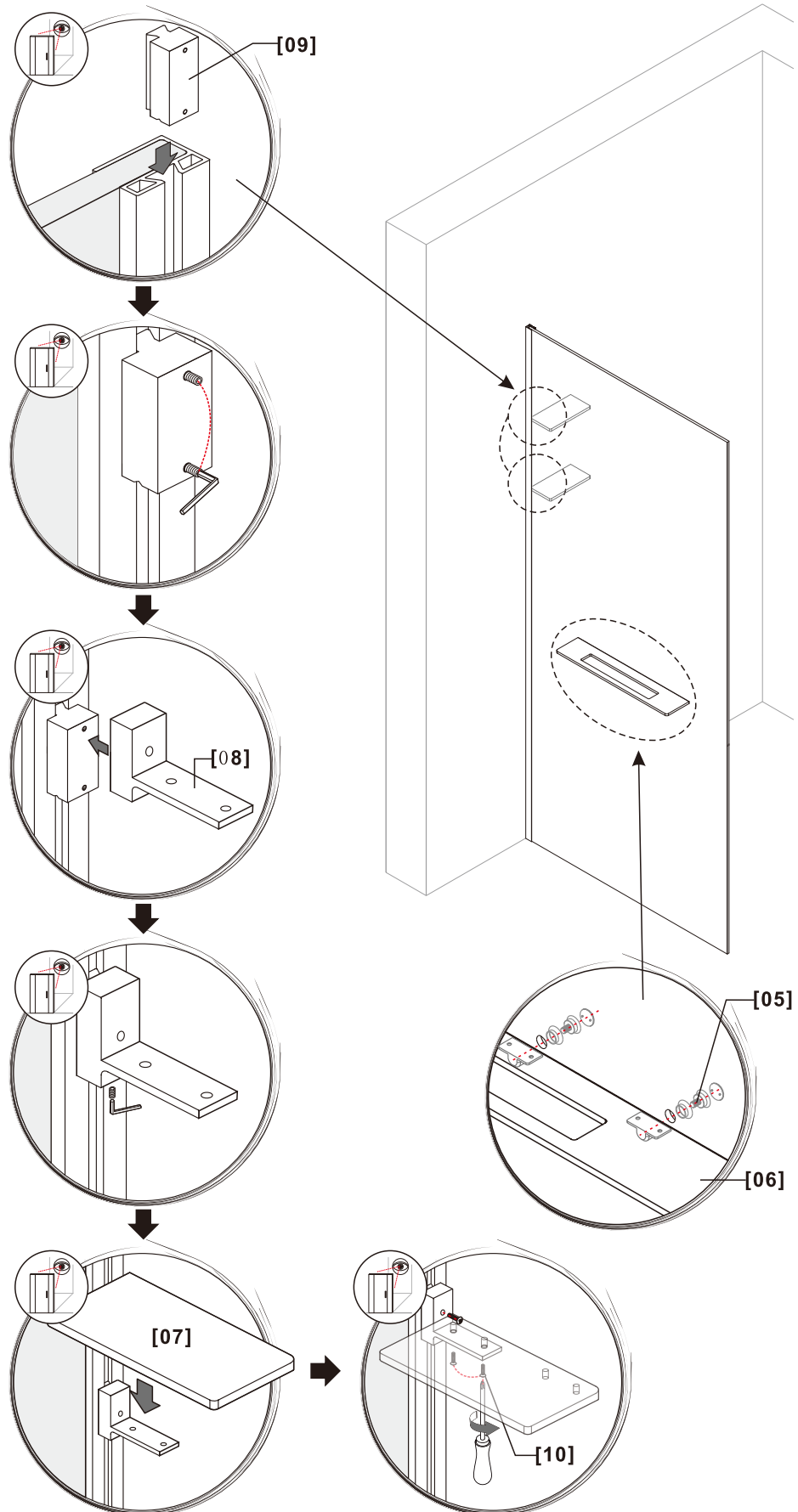
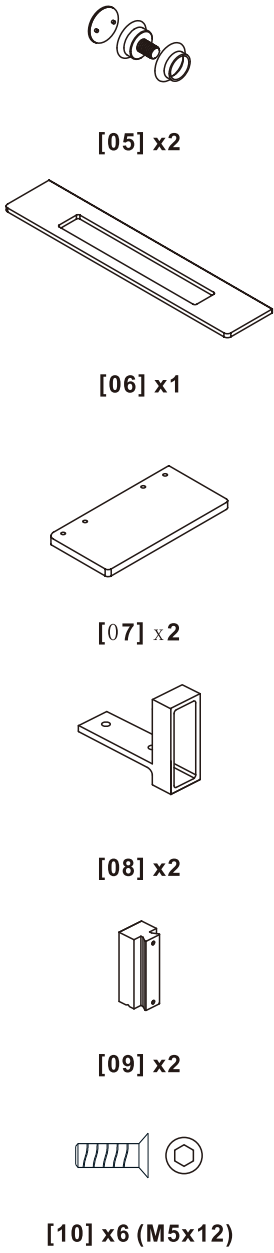


# 03

3.1 According to the height you need, install [09] to the [01] and use [10] (M5×12) screws to tighten it, then connect [08] and [09] to fix it, after that install [07] shelf to [08] and use [10] (M5×12) screws to tighten it.

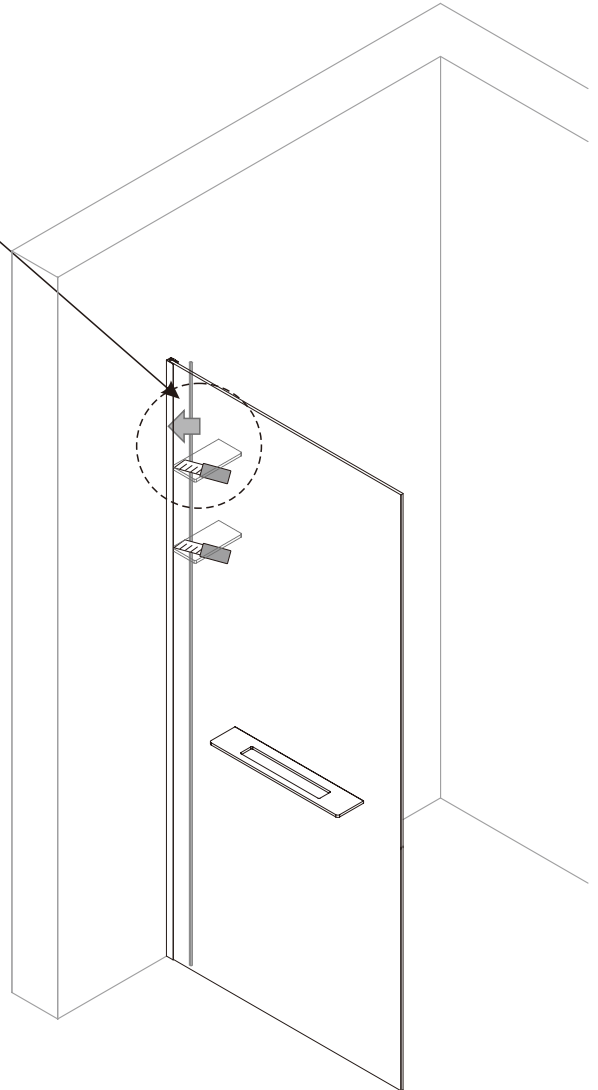
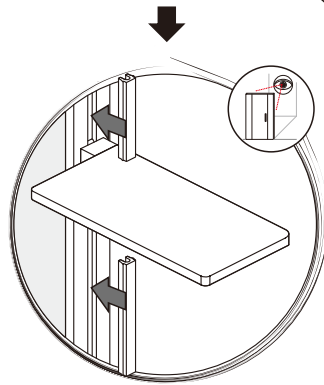
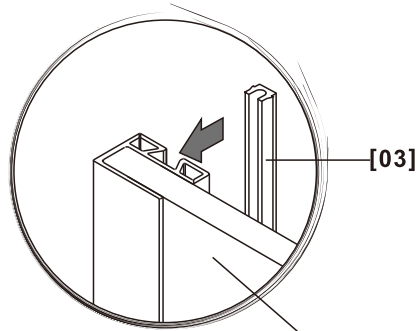
3.2 Install the [06] shelf to the [04] glass with the [05] screws and tighten it.

NOTE: Please ensure that the glass is level during the entire installation process.



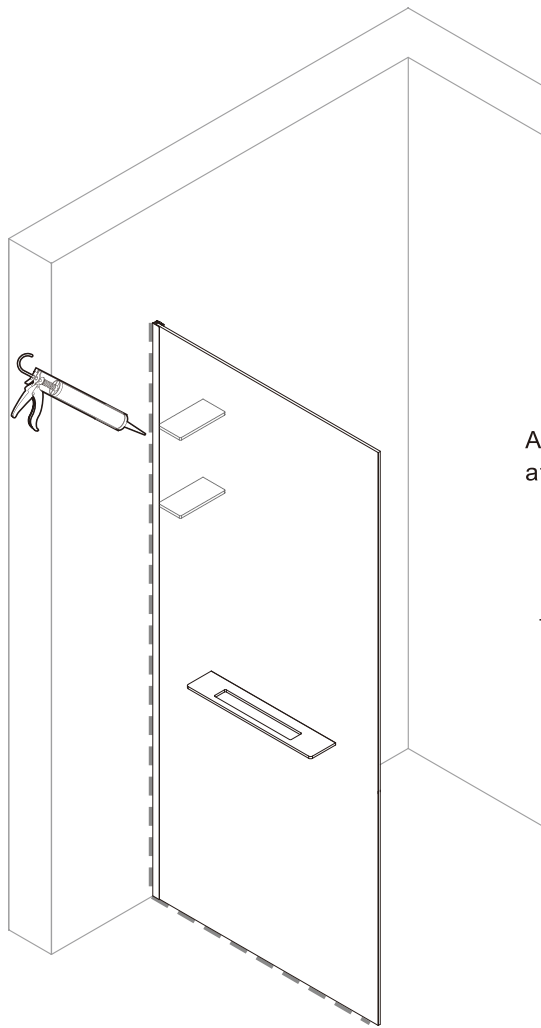
# 04

Insert the [03] door side seal strip into the [01] wall profile and cut it off at the [07] shelf position then continue to install it.



[03] x1

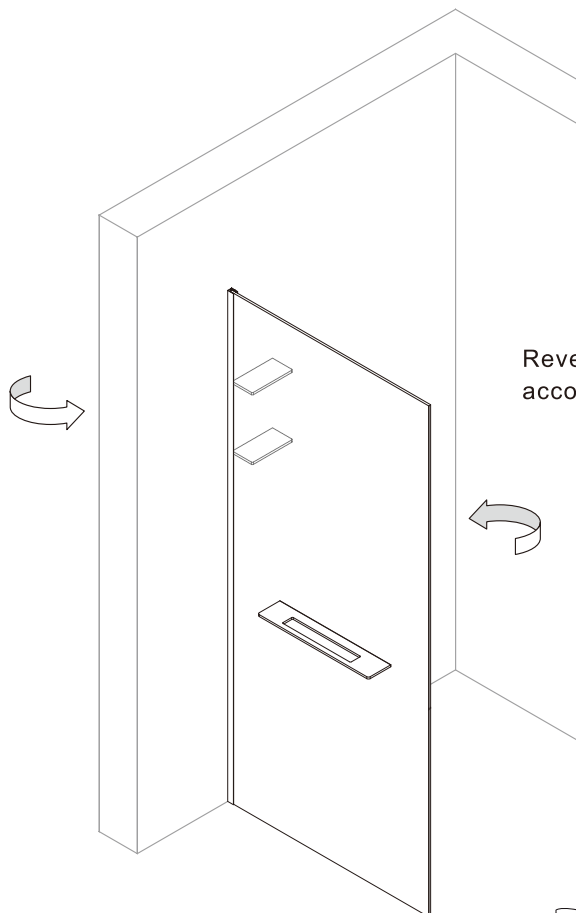
**05**



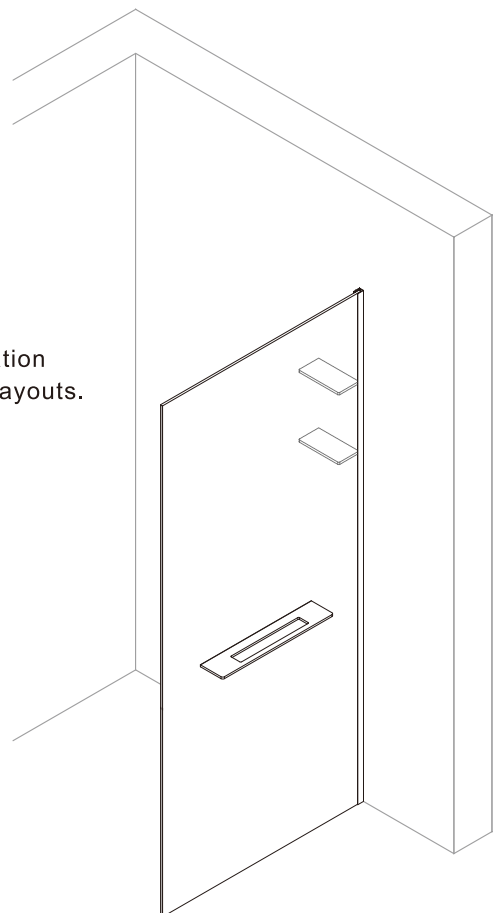
Apply enough high-quality waterproof silicone at the dotted line (as shown in the figure).



Do not use or get wet for 24 hours.



Reversible installation according to your layouts.



# WARRANTY

## SUNROSA Provides 2 Years Limited Warranty

- Sunrosa is responsible for any damaged and missing parts during shipping, so it is recommending that check the package carefully before installation.
- This product is heavy, so we highly recommend at least two people to move it. Sunrosa are not responsible for any damage caused by improper handling.
- Should there be any defects in materials or craftsmanship under regular use that are discovered within 2 years of installation, Sunrosa will provide replacement parts at no charge, just feeling free to contact us.
- Sunrosa recommends hiring or consulting a trained professional during installation. The manufacturer will not be held responsible for any damage or product failure due to improper installation, misuse, or failure to utilize a licensed professional for installation, nor shall we be responsible for any other incidental or consequential damages attributable to a product defect or to the repair or exchange of a defective product.
- This warranty extends only to the original purchaser and first consumer.

**Sunrosa Always Devote to Provide High Quality Products and Good Customer Service**