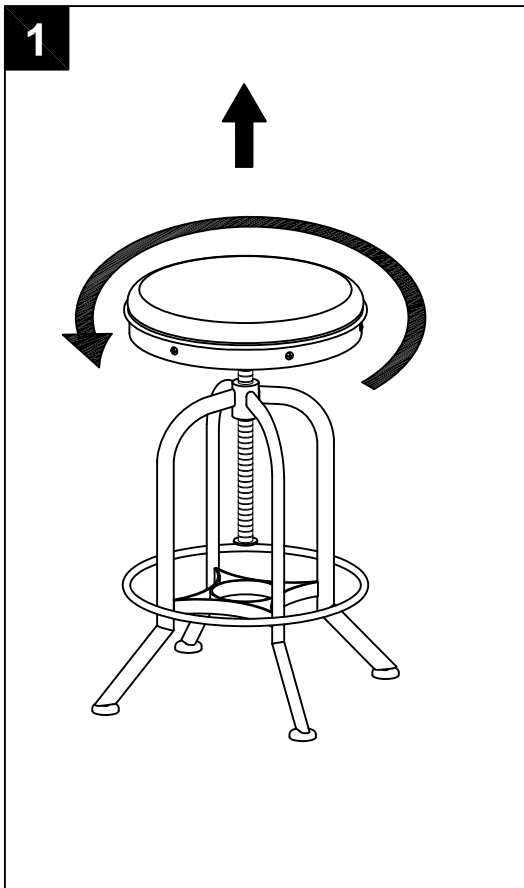


CARE AND MAINTENANCE

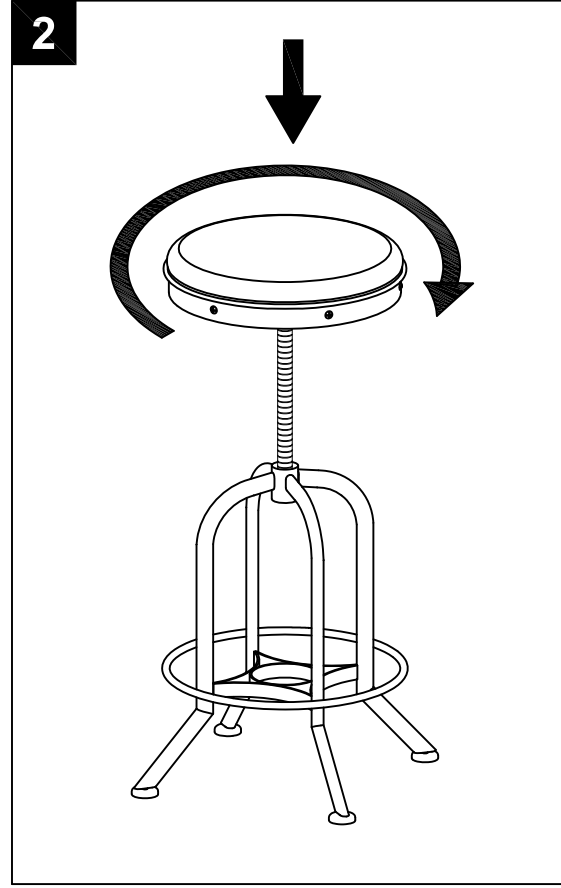
Wipe clean with a soft, dry cloth. Test the cleaning method on a hidden area before using them over the entire area.

INSTRUCTION MANUAL



Step 1

To lift up, turn the cushion seat counter-clockwise.



Step 2

To lower, turn cushion seat clockwise.

Product Dimensions: $\phi 15\text{-}3/4\text{"}$ $\times 26\text{-}1/4\text{"}$ to $35\text{-}1/2\text{"}$ H

