




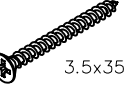

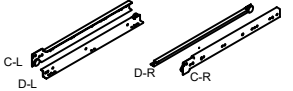


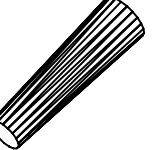
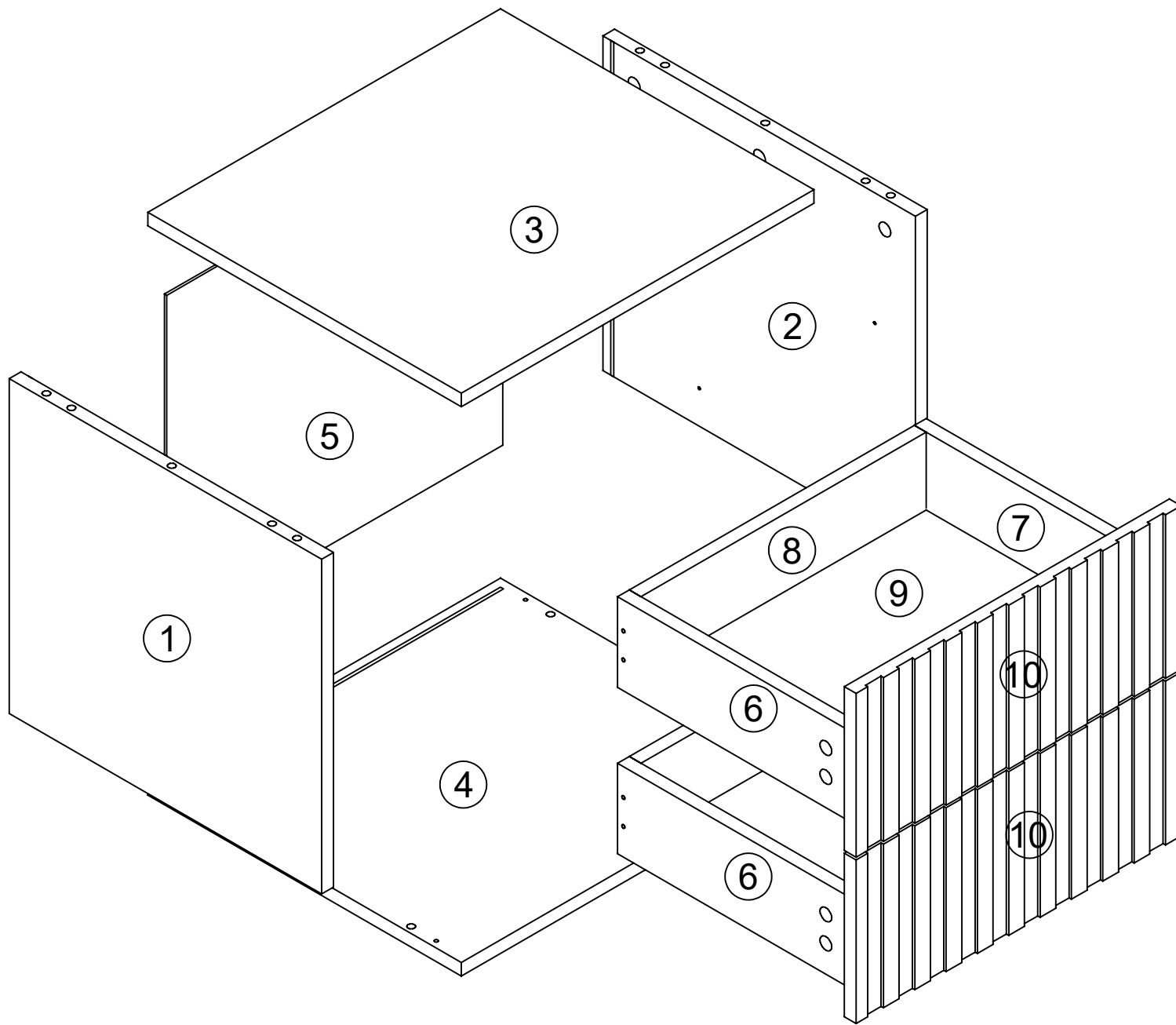
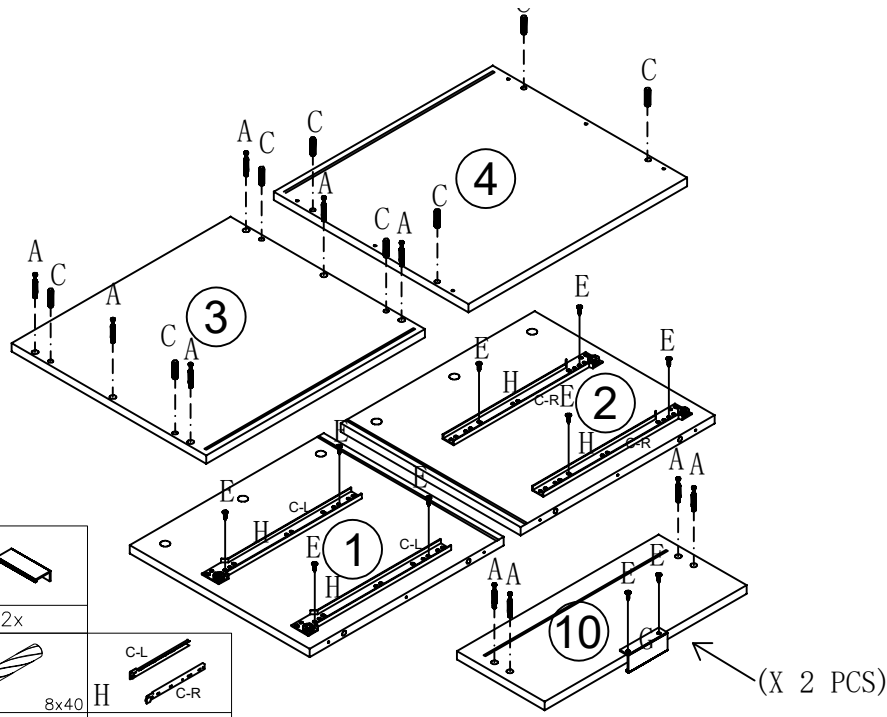


NO.	LINEDRAWING
A×14	
B×14	
C×8	
D×4	
E×46	
F×14	
G×2	
H×2	
I×2	
J×4	
K×4	



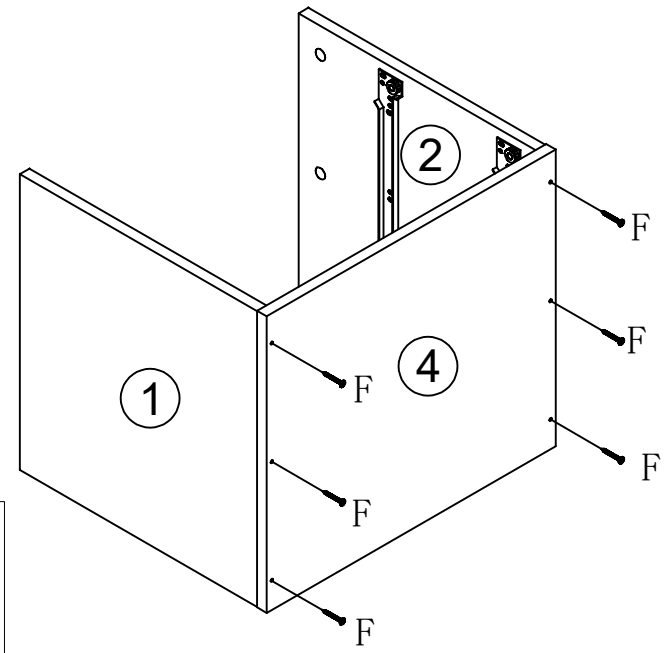
NO.	QTY.
①	1
②	1
③	1
④	1
⑤	1
⑥	2
⑦	2
⑧	2
⑨	2
⑩	2

1



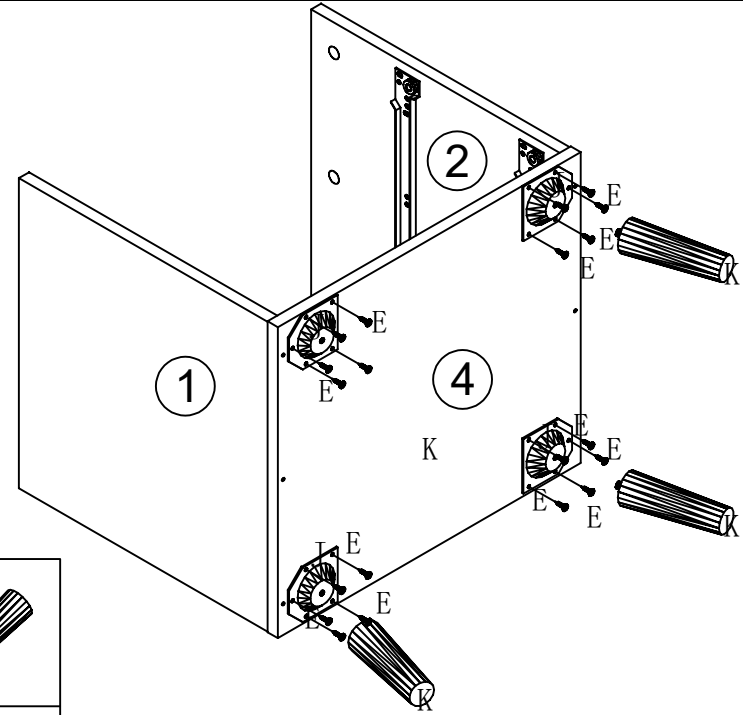
E 4x14 12x	G 2x		
A 14x	C 8x40	H C-L C-R 4x	

2



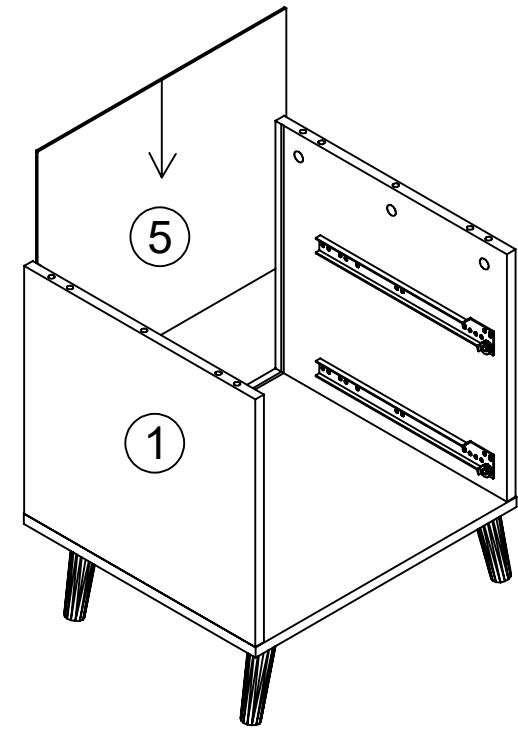
F 6x
---------

3

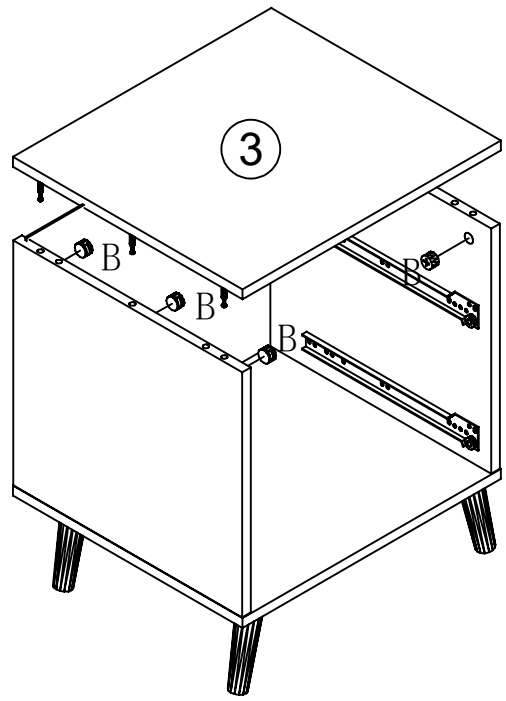


E 4x14 E x 20	
J x 4	K x 4

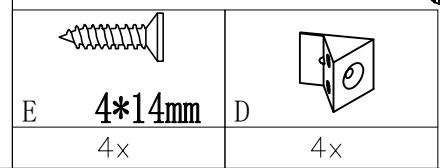
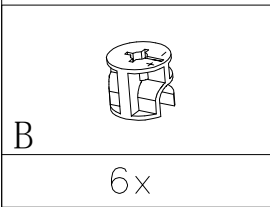
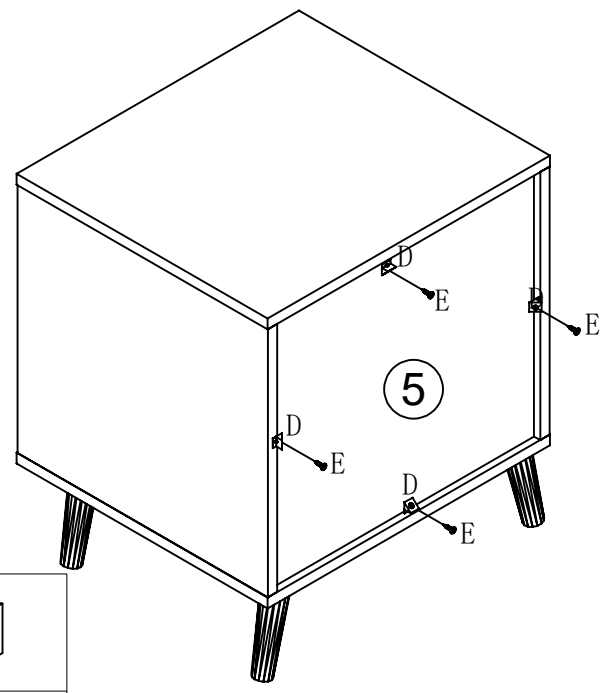
4



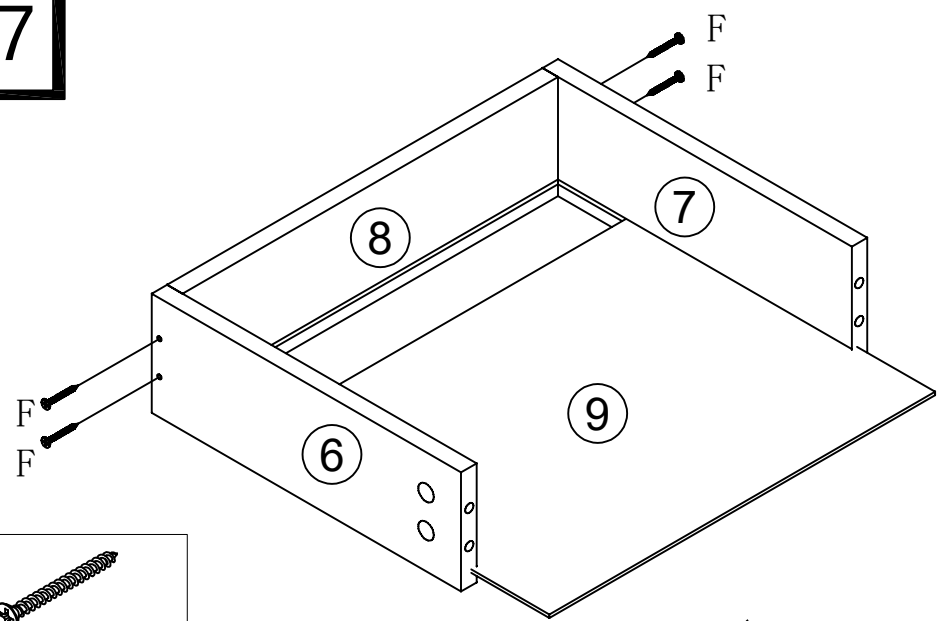
5



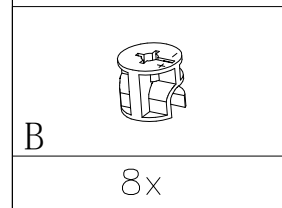
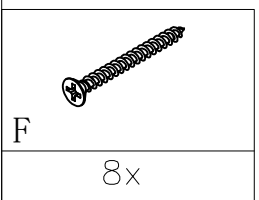
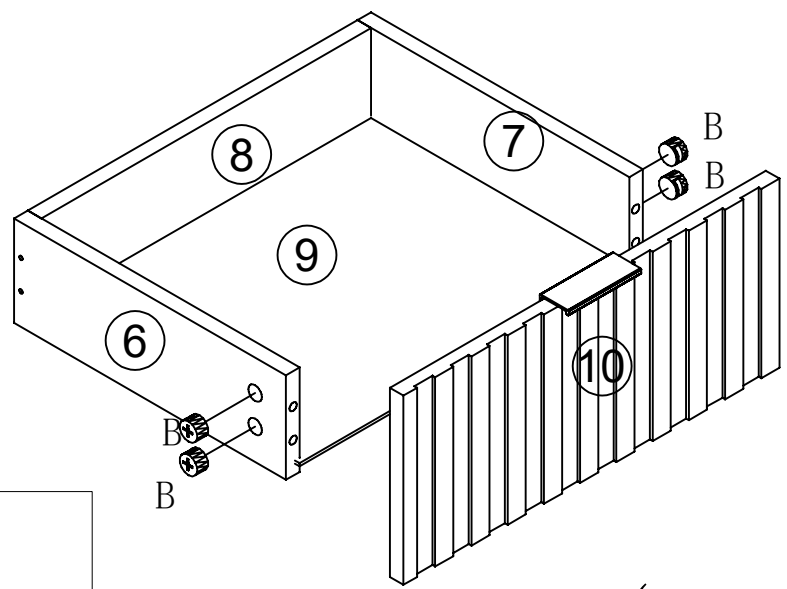
6



7



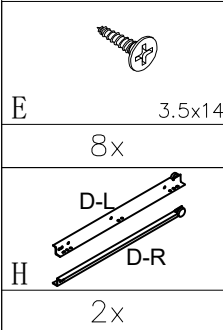
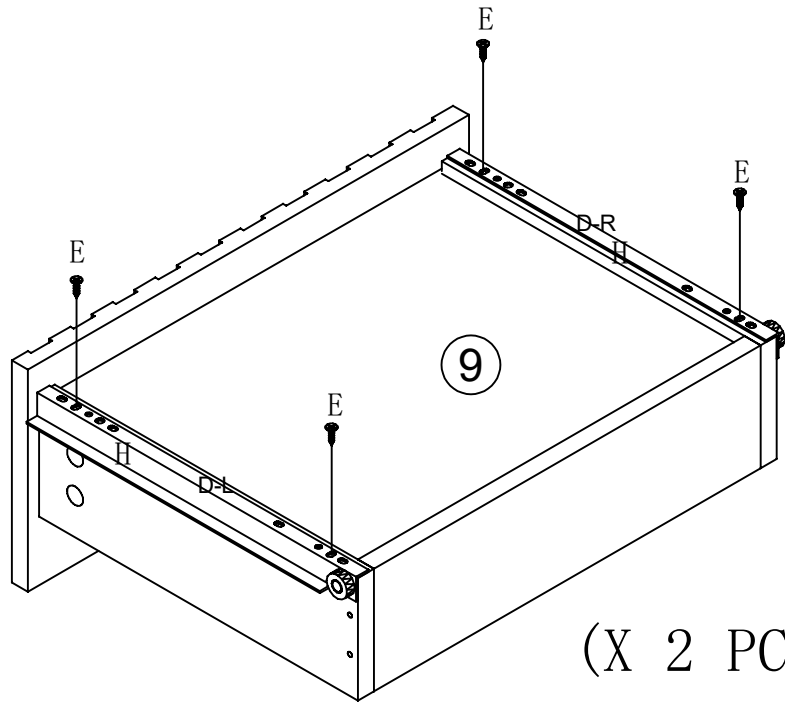
8



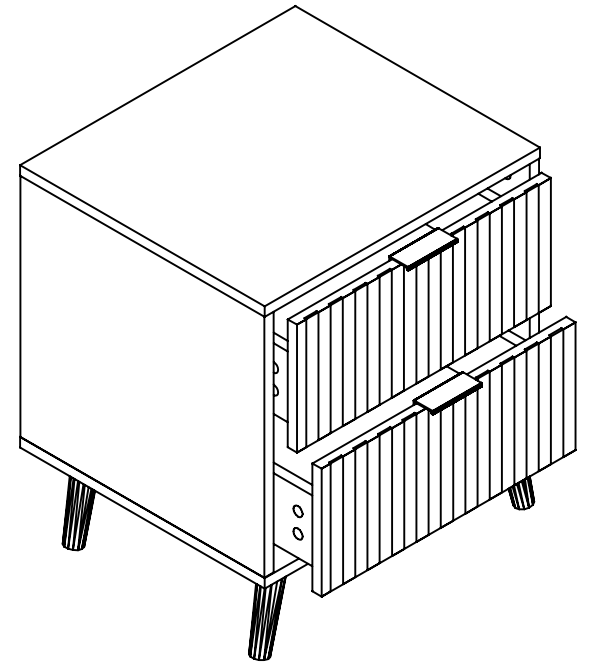
(X 2 PCS)

(X 2 PCS)  
4 OF 5

9



10



11

