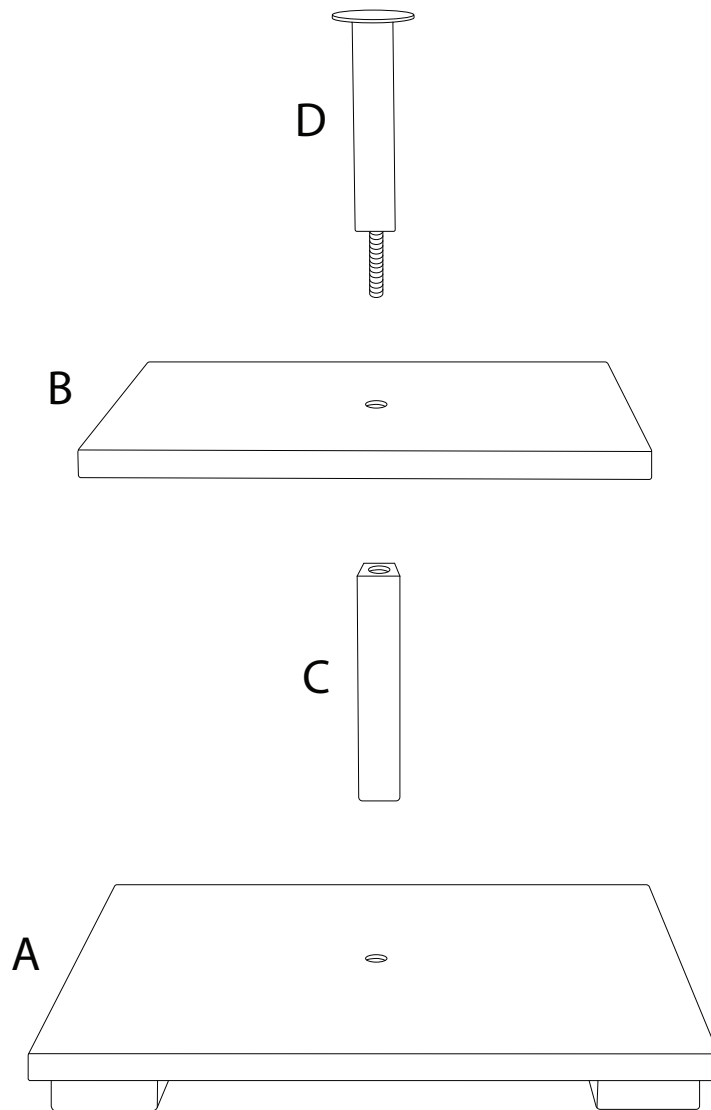





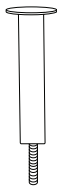
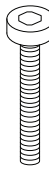
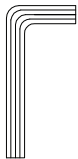
Diagram illustrating assembly steps and safety warnings:

- Step 1:** Shows an L-shaped metal bracket being inserted into a hole in a wooden board. A power drill is shown with a slash through it, indicating it should not be used on this part. A warning triangle with an exclamation mark is positioned to the right.
- Step 2:** Shows a rectangular wooden board being placed on a surface. A power drill is shown with a slash through it, indicating it should not be used on this part. A warning triangle with an exclamation mark is positioned to the right.

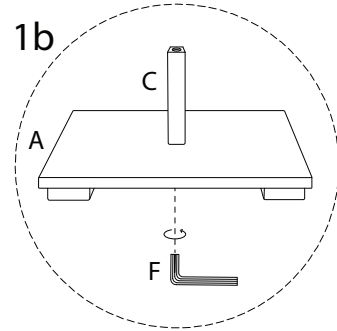
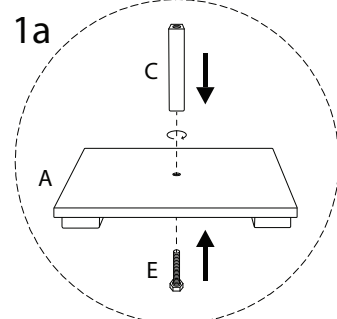
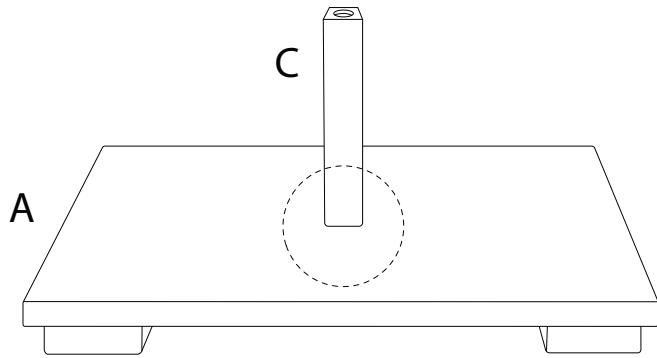
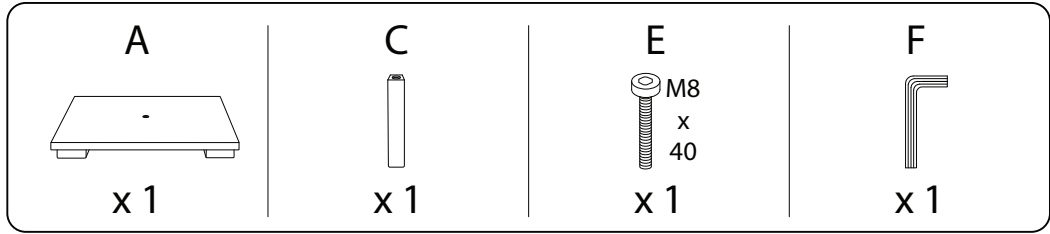
Estimated assembly time: 5' (5 minutes)

Number of people required: 1



A	B	C	D	E	F
				 M8 x 40	
x 1	x 1	x 1	x 1	x 1	x 1

1



2

